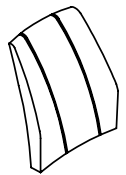
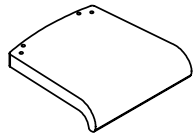


Assembly Instructions

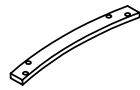
Side Chair



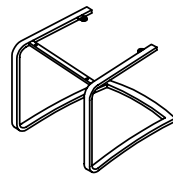
A (1 pc)



B (1 pc)



C (1 pc)



D (1 pc)



E (4 pcs)
M8 x 90mm



F (4 pcs)
M8



G (4 pcs)
Ø20 x Ø8



H (1 pc)
5#



I (2 pcs)
M6 x 25mm



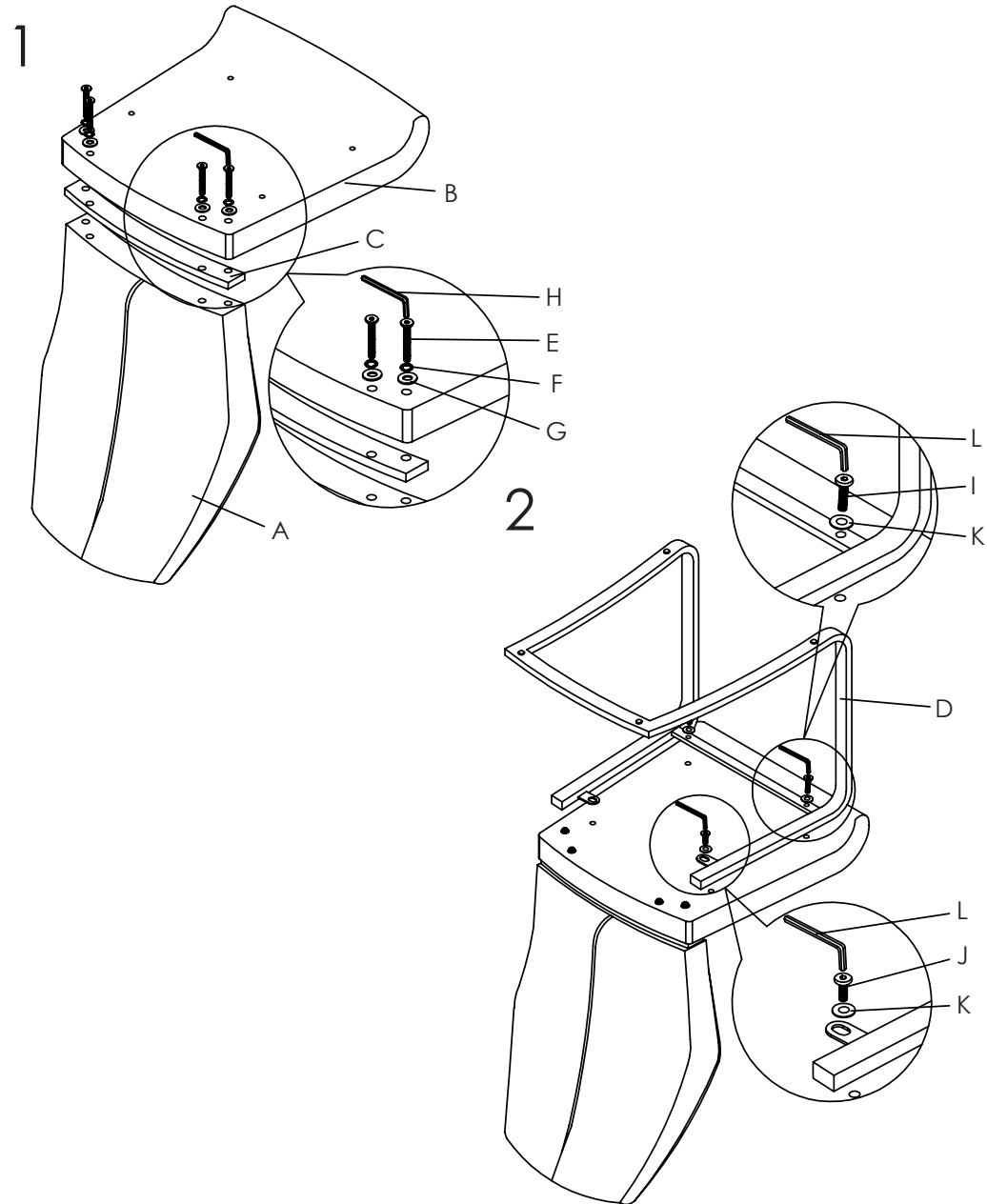
J (2 pcs)
M6 x 16mm



K (1 pc)
Ø16 x Ø6



L (1 pc)
4#



During assembly, hand tighten screws only. When the screws are in place, tighten completely.