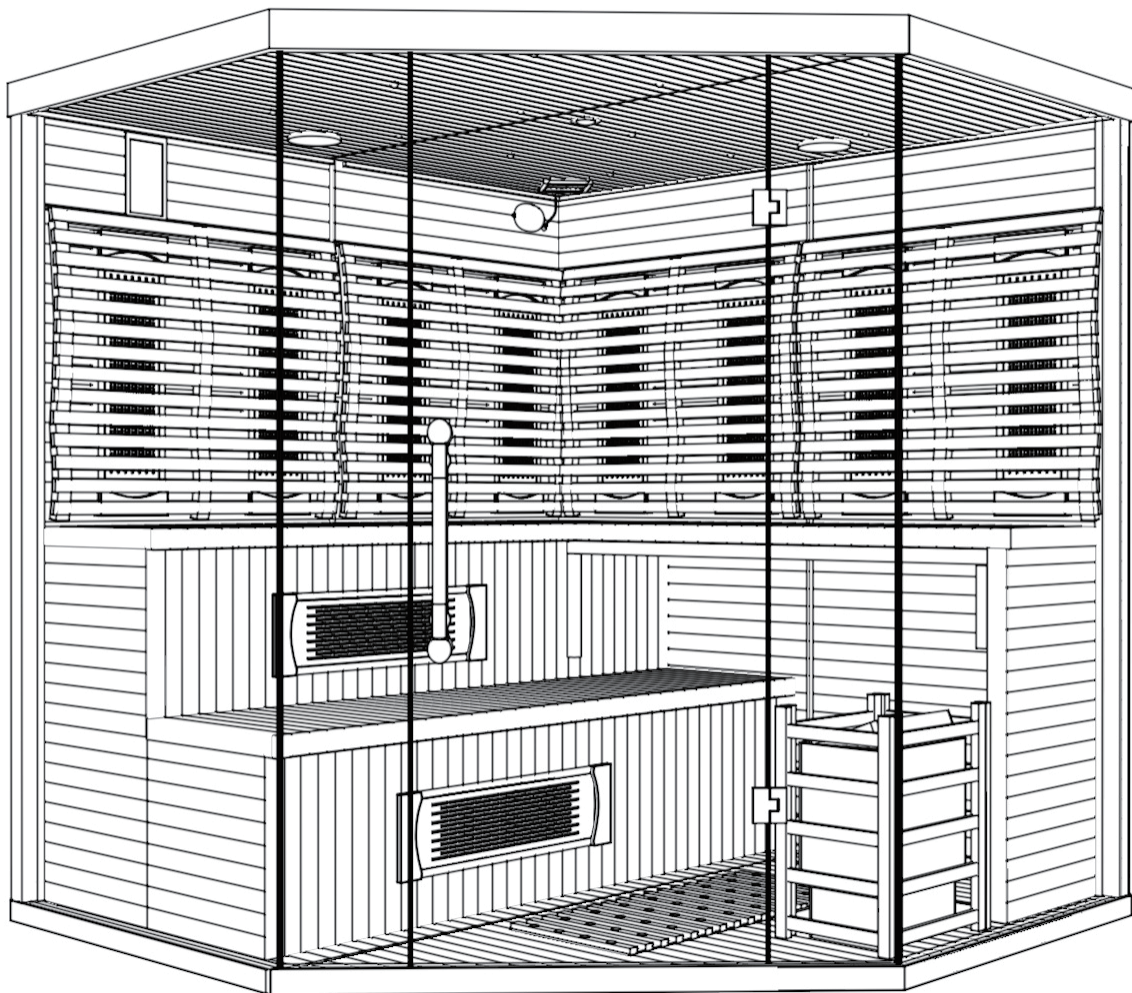


# User's Manual



# Contents

	Page
Sequences and contents of sauna assembly	
<b>Electrical Requirements</b> .....	- 3 -
<b>Tools you need to prepare</b> .....	- 3 -
<b>Components of Sauna Room</b> .....	- 4 -
<b>Installation Instruction</b>	
1. Base assembly step .....	- 5 -
2. Back wall assembly step .....	- 6 -
3. Side wall assembly step .....	- 7 -
4. Top wall assembly step .....	- 8 -
5. Sauna Bench Installation Steps .....	- 9 -
6. Glass Installation Steps .....	-11-
7. Accessories Installation .....	-12-
8. Sauna stove wiring for a hybrid sauna .....	-12-
<b>Accessories</b> .....	-14-
<b>Control Panel Operation Instructions</b> .....	-15-
<b>Saunas and Contraindications</b> .....	-18-
<b>Warranty Policy</b> .....	-20-



# Electrical Requirements

Each sauna will require a dedicated circuit when plugged in an outlet according to the chart below. A dedicated circuit requires that no other appliance should share the outlet/circuit with the sauna. Failure to comply with this requirement may cause electrical interruption and diminished performance. It is recommended that a qualified electrician install your dedicated electrical wiring for proper sauna functionality and to avoid any potential electrical hazards. Please make sure the sauna is properly grounded. Serious injury may result if proper electrical requirements are not met.

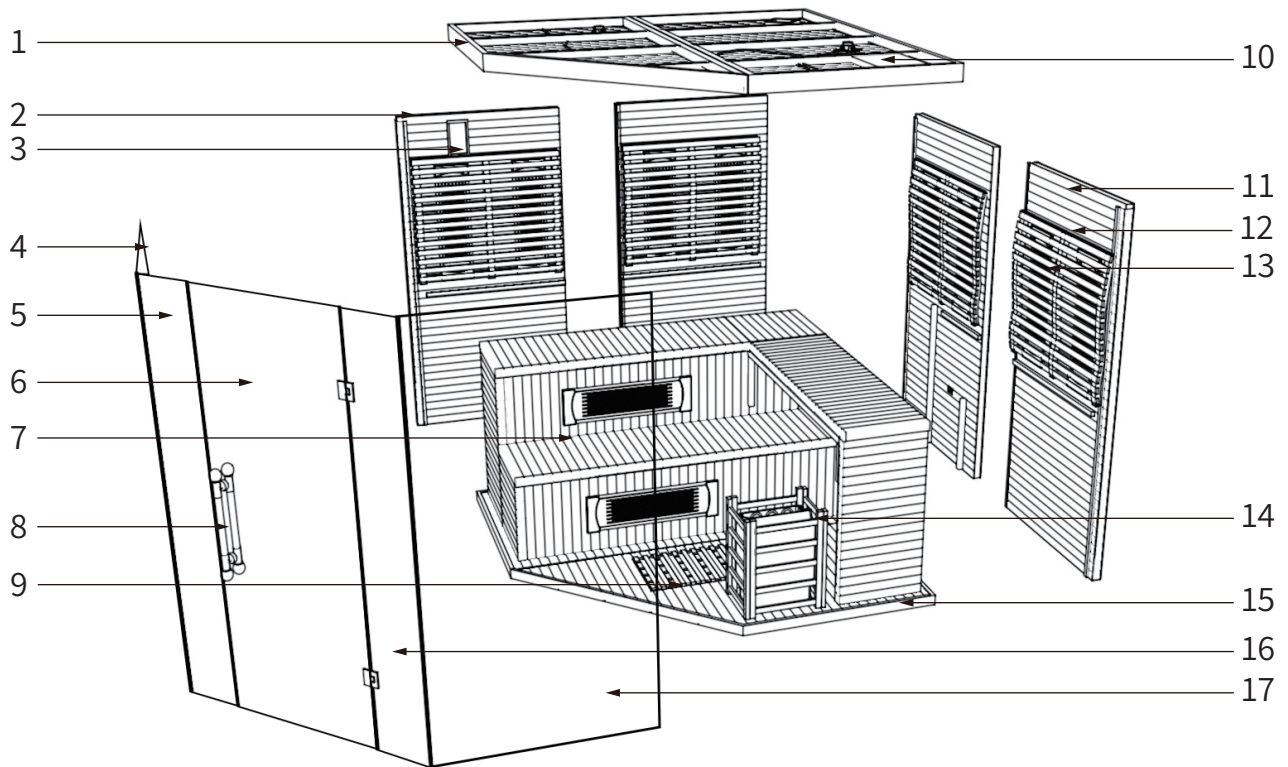
Please follow all instructions carefully. Keep the sauna away from any potential hazards including any water source or liquids. Select a dry suitable location for the sauna installation. Do not expose the heater elements to any water source or liquids as it may cause electrical shock. Should you have any questions, please do not hesitate to contact the supplier.

Please read the following directions carefully. The sauna installation requires a minimum of 2 people. You should not try to install the sauna on your own as damage will easily occur.

## Tools you need to prepare

Power Drill x1	Herringbone ladder x2
	

# Components of Sauna Room

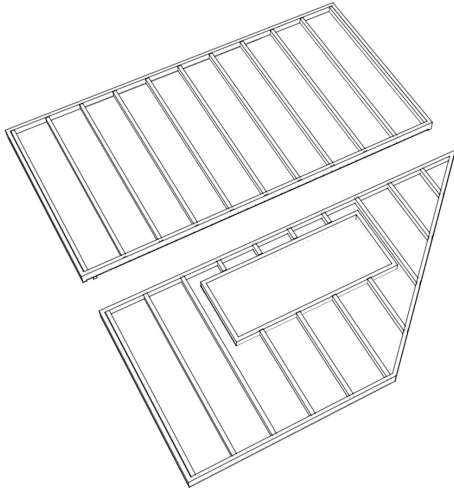


NO.	Part Name	NO.	Part Name
1	Roof	10	Electrical box
2	Left wooden panel	11	Right wooden panel
3	Control panel	12	LED light strip
4	Left glass window	13	Full-spectrum far infrared heater
5	Left small glass window	14	Electric heater + heater guard
6	Glass door	15	Floor panel
7	Seat	16	Right small glass window
8	Door handle	17	Right glass window
9	Infrared heater for foot		

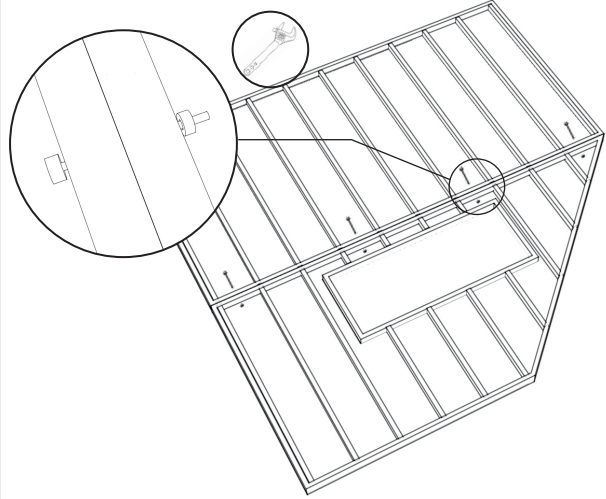
# Installation Instruction

## 1. Base assembly step:

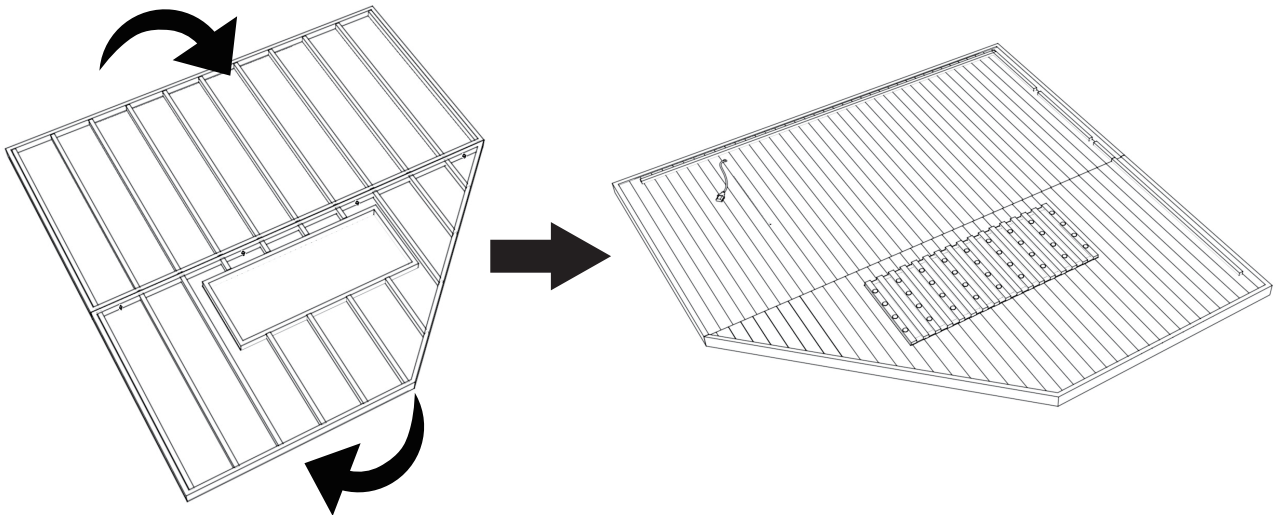
① Place the base obverse down.



② Fasten the two bottom plates with screws.



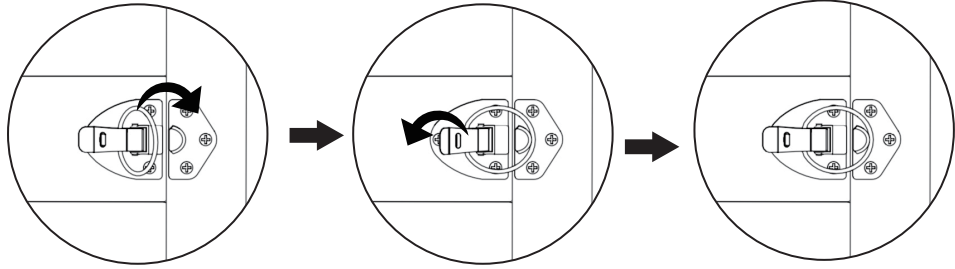
③ Place the base obverse.



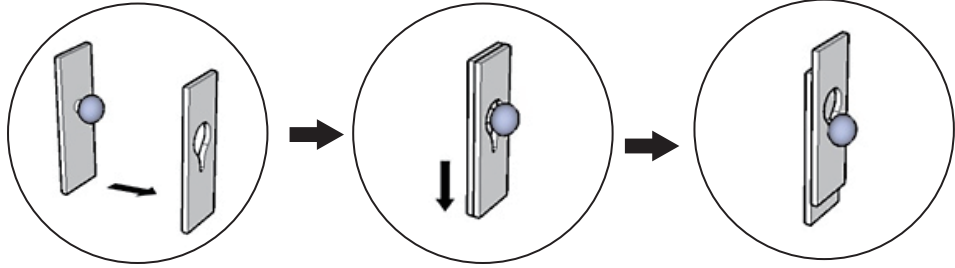
## 2. Back wall assembly step:

Steps to use the buckle.

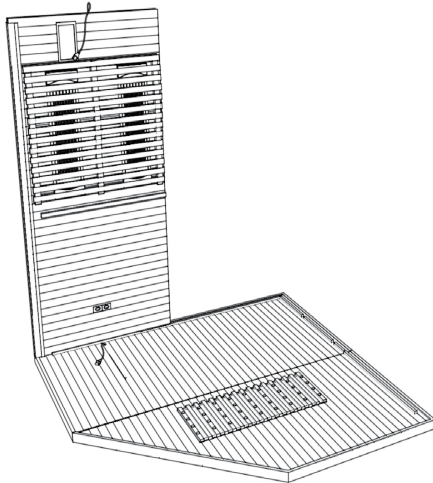
Locking System:



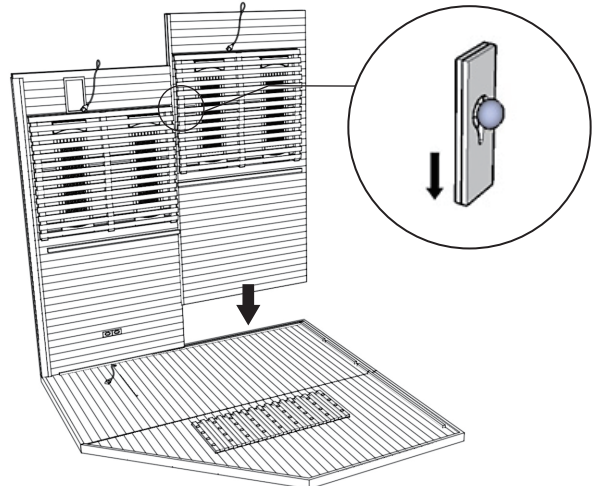
Inner Locking System:



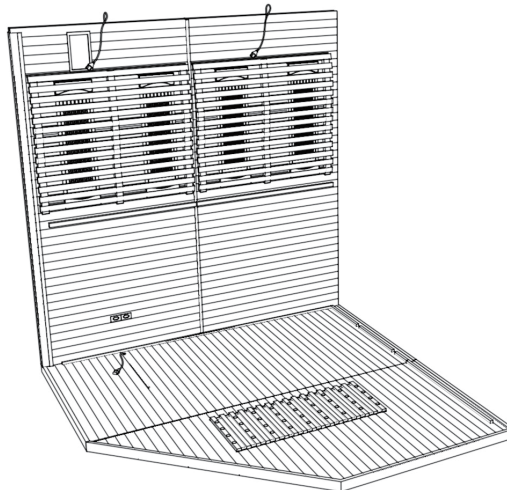
① Place one of the back wall.



② Fix the two back panels with buckles.

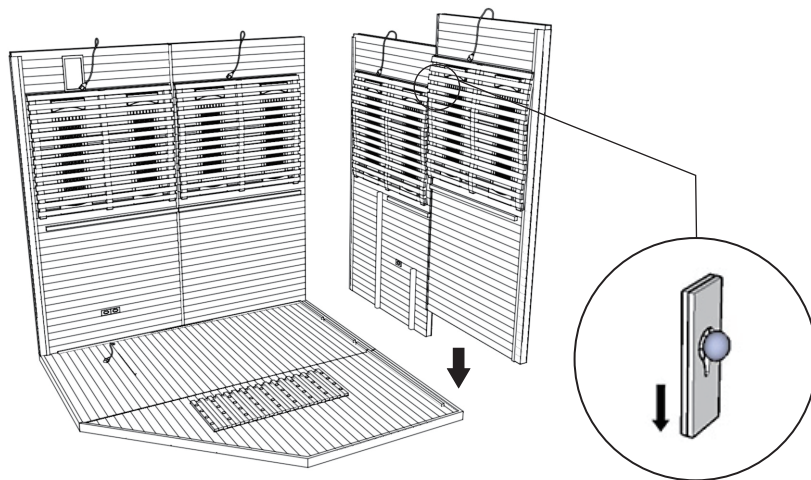


③ Installation of both side panels has been completed.

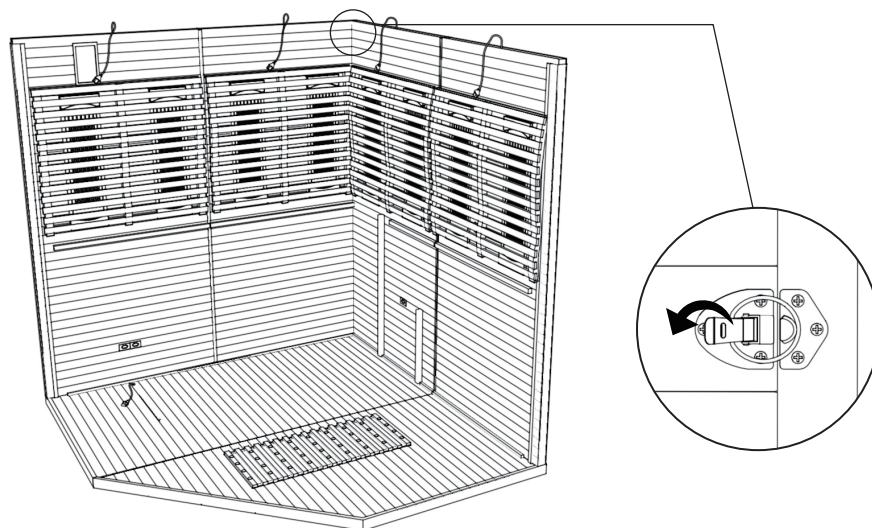


### 3. Side wall assembly step

① Connect the side wall to the back wall.

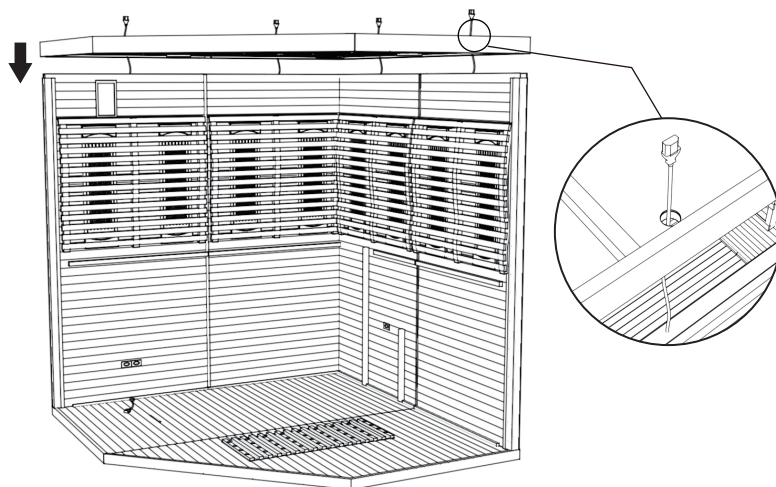


② Link the other side.

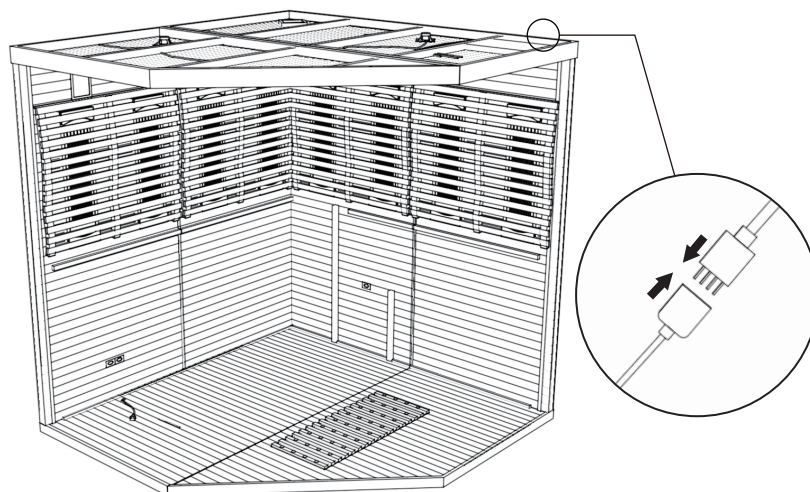


## 4. Top wall assembly step

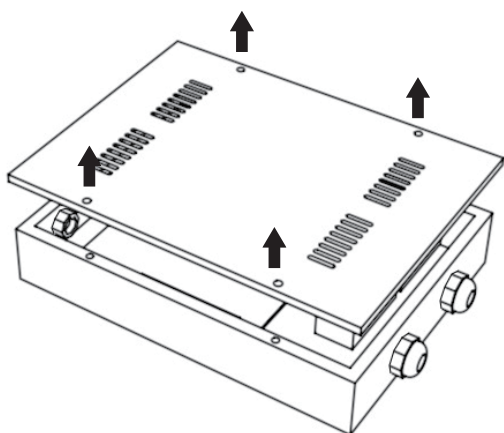
① The same steps as for the base. Pass the wires of the side wall of the sauna room.



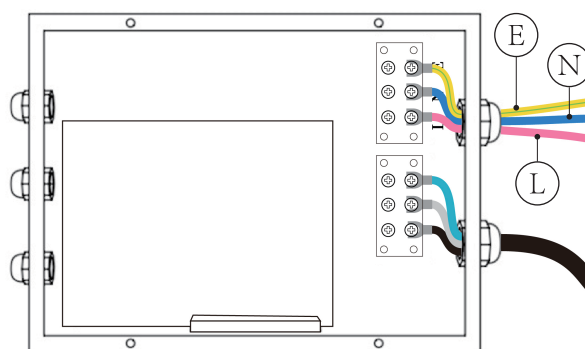
② Connect all the wires to the corresponding wires on the top.



③ Open the cover of the electrical box.

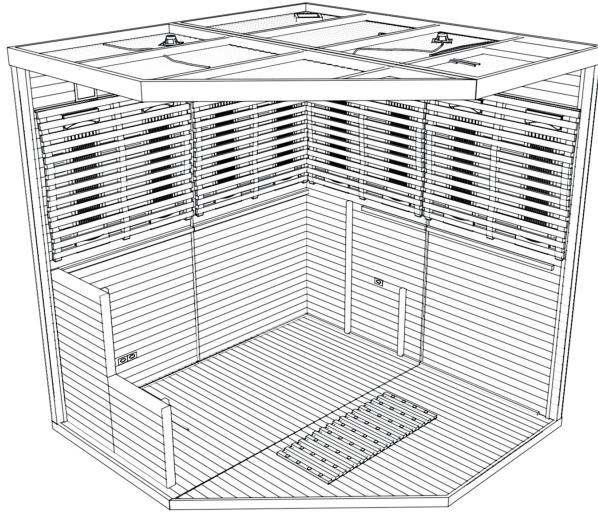


④ Connect the wires labeled "L", "N", and "E" to the terminals labeled "L", "N", and "E".

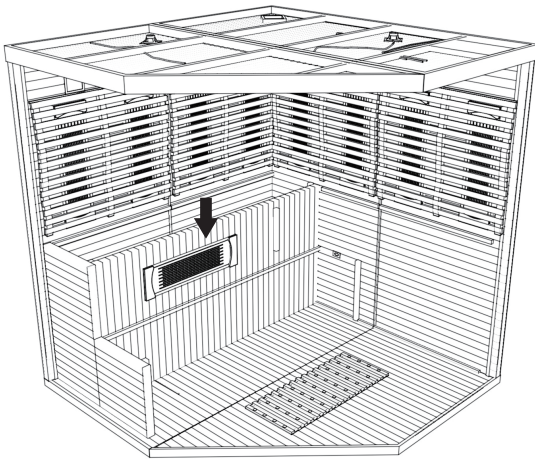


## 5. Sauna Bench Installation Steps:

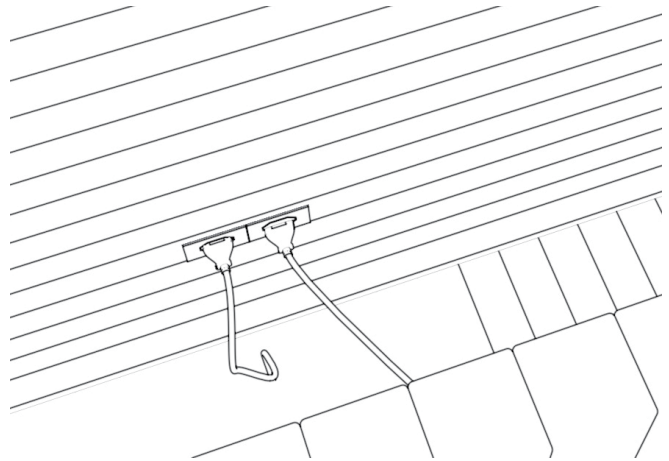
- ① First, install the outermost support board.



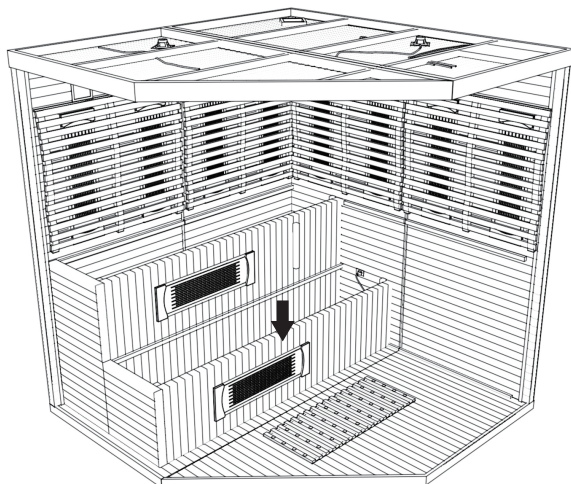
- ② Install the full support seat board with the heater.



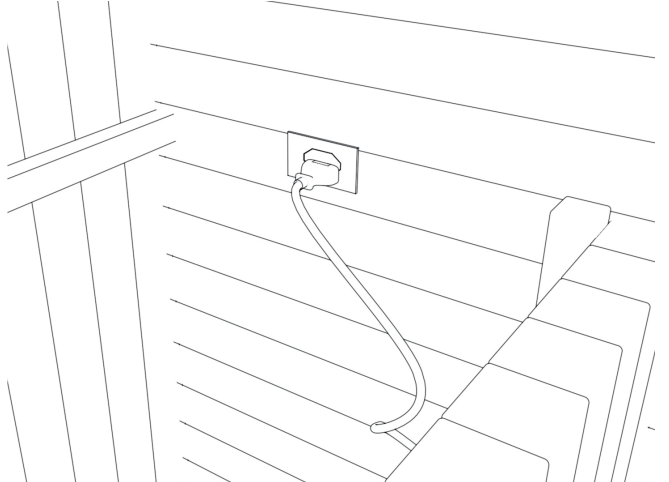
- ③ Connect the heater wire to the sauna room interface.



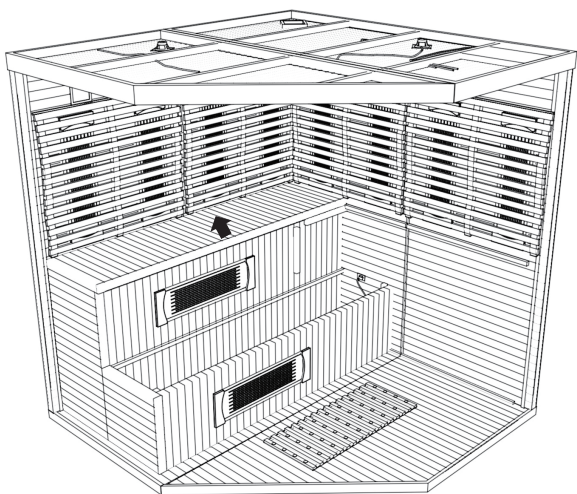
- ④ Install the outer support board with the heater.



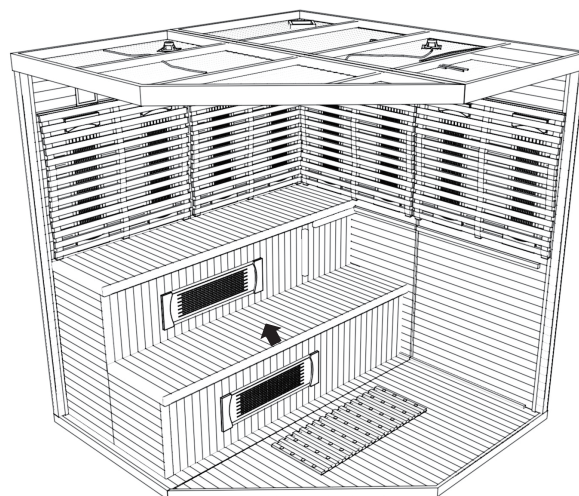
- ⑤ Connect the heater wire to the interface on the side of the sauna room.



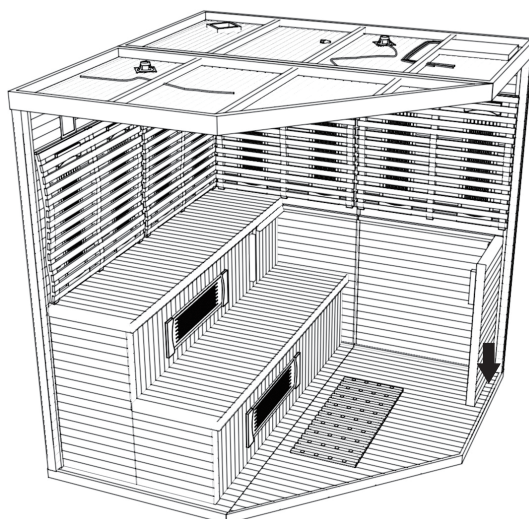
⑥ Install the upper bench board.



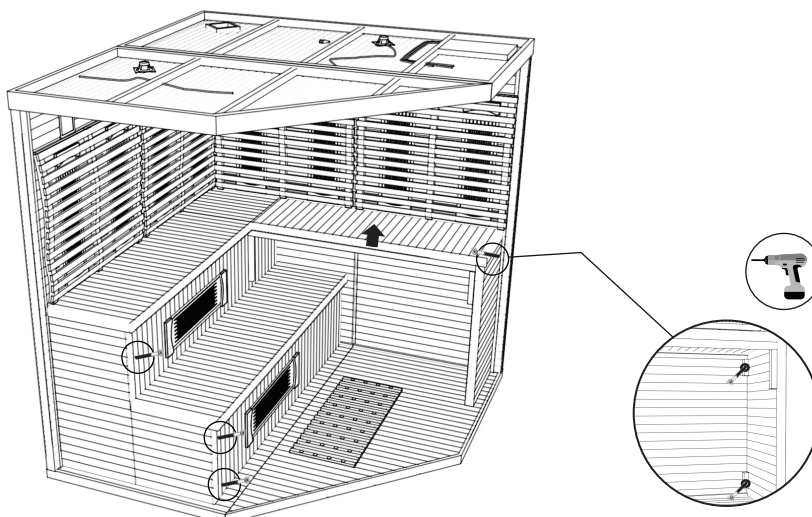
⑦ Install the lower bench board.



⑧ Install the right-side seat support board.

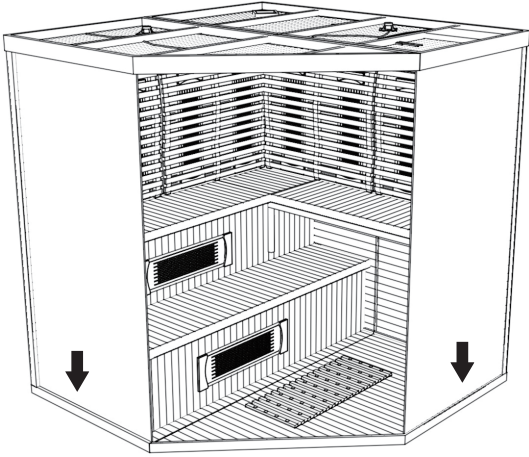


⑨ Install the right-side bench and fix it with screws; other bench boards should also be fixed with screws.

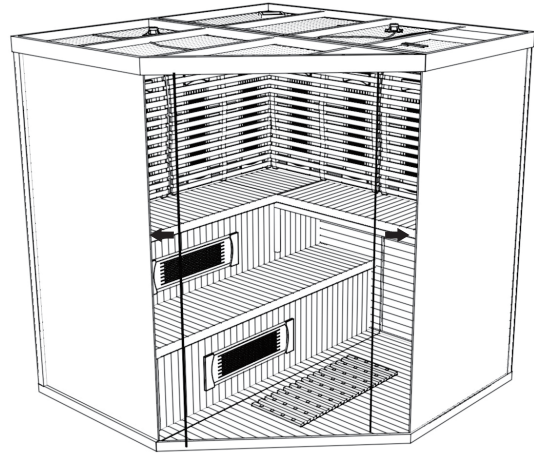


## 6. Glass Installation Steps:

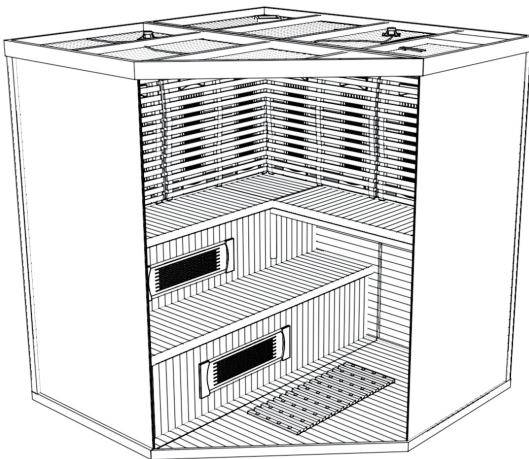
- ① Install the large glass windows on both left and right sides, and fix them with screws at the top and bottom.



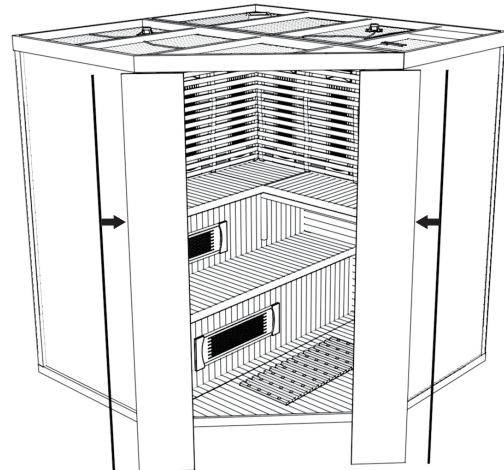
- ② Install door sealing strips on both sides of the glass.



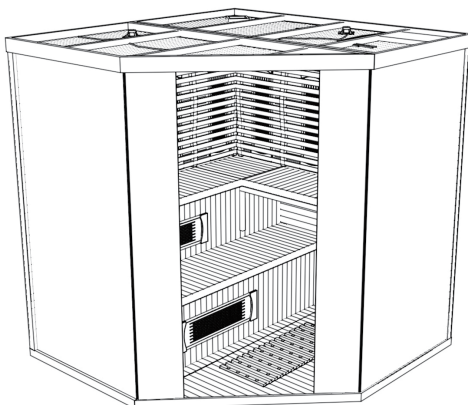
- ③ Complete the installation of the large glass windows.



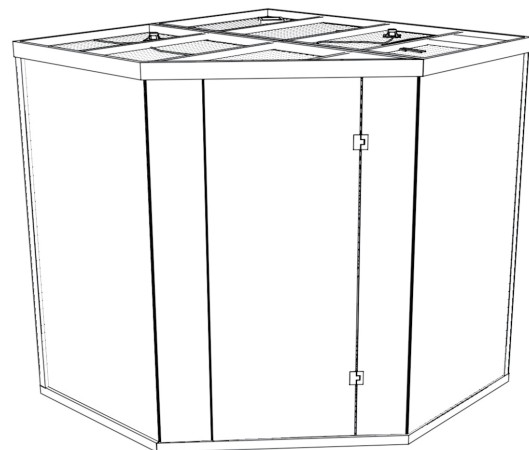
- ④ Install the small glass windows on both sides, and fix them with screws at the top and bottom.



- ⑤ Install door sealing strips on both sides of the left small glass window; for the right small glass window, install the sealing strip only on the right side.

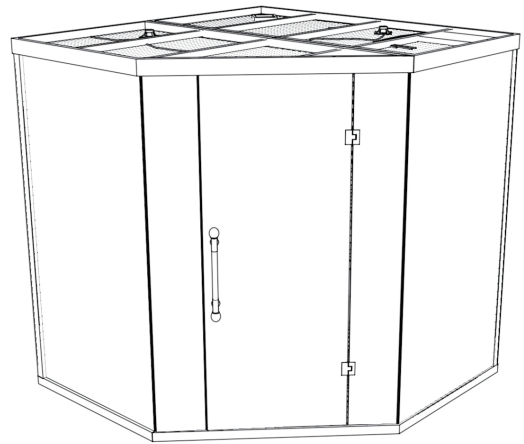
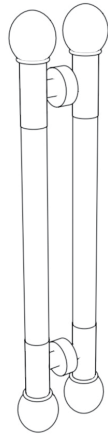


- ⑥ Install the glass door and door hinges, and attach the sealing strip to the glass door.

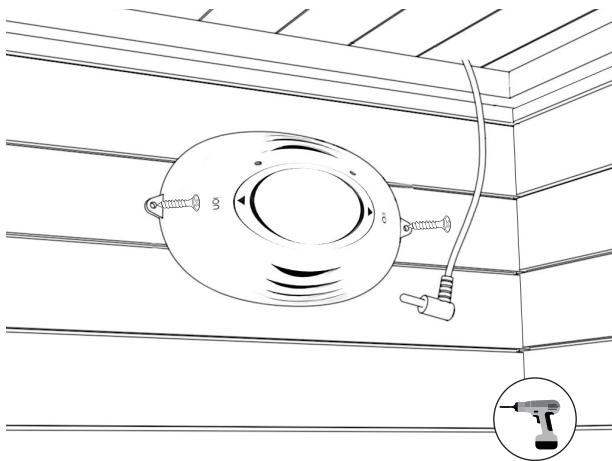


## 7. Accessories Installation:

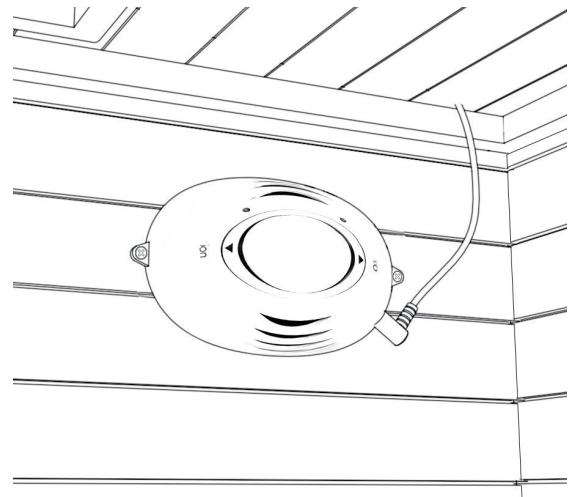
- ① Install the door handle and secure it with screws.



- ② Choose a location and use screws to fix the oxygen lonizer to the sauna.

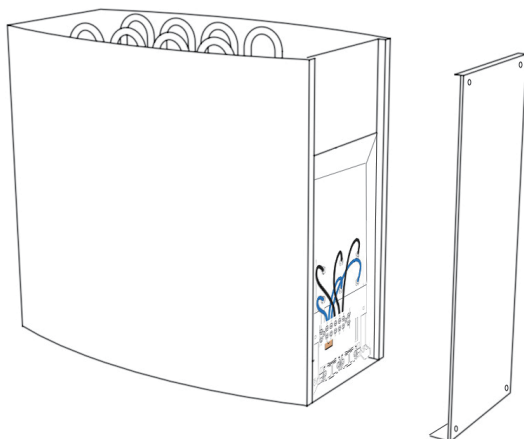


- ③ Connect the top wire to the oxygen lonizer.

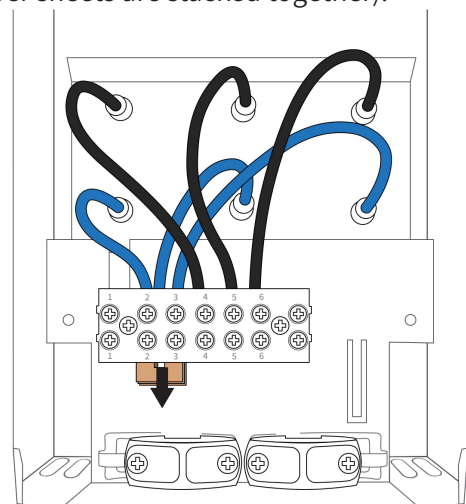


## 8. Sauna stove wiring for a hybrid sauna :

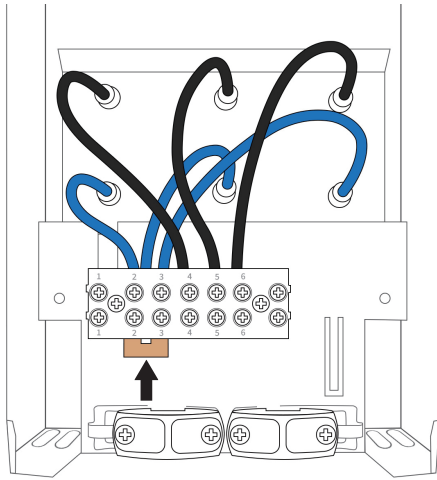
- ① Open the Harvia heater side panel.



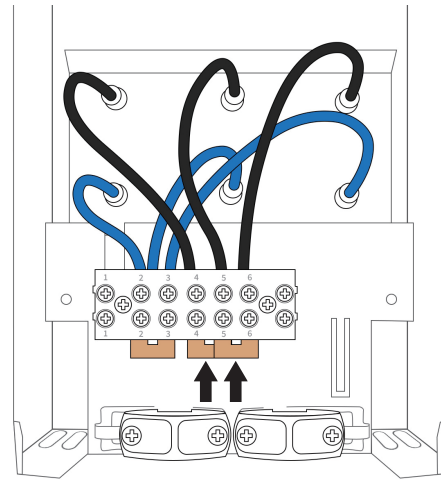
- ② Remove the three copper sheets from the terminal (3 copper sheets are stacked together).



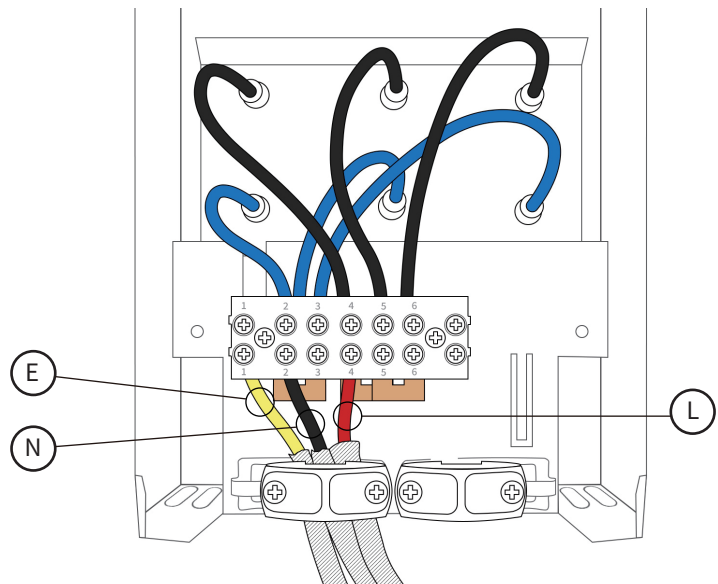
③ Take one and place it on the 2 terminals that has the blue cable attached to them.



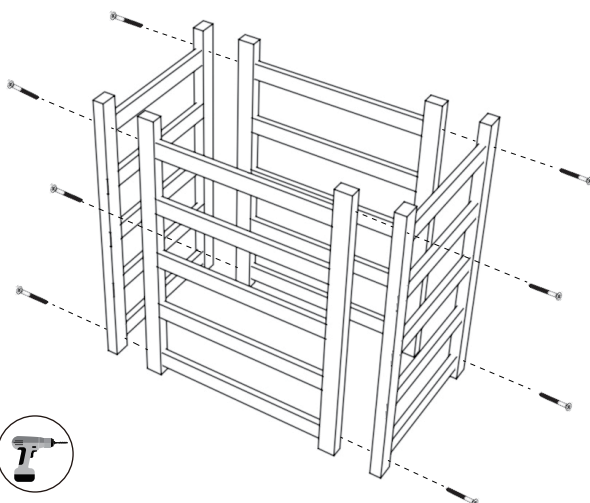
④ Arrange the other two in a "W" shape and place them on the 3 terminals that has the black cable attached to them.



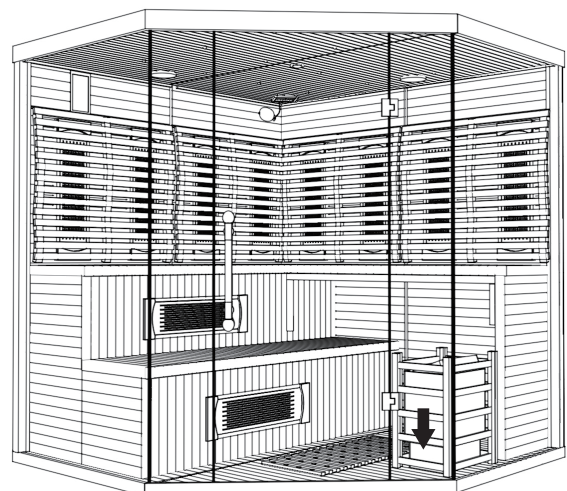
⑤ Connect the wire marked with "L" to the terminal with black cable connection (select 1 of 3) Connect the wire marked with "N" to the terminal with blue cable connection (select 1 of 2) Connect the wire marked with "E" to the terminal without cable connection.



⑥ Install the furnace frame (with reserved screw holes).



⑦ Place the furnace frame inside the sauna.



# Accessories

## Oxygen Ionizer

Locate the ionizer plug that is extended out of the sauna ceiling (1-pin plug). Connect the oxygen ionizer and screw it on the back panel.

The oxygen ionizer is used to refresh the air inside the sauna by killing odor causing bacteria and removing airborne particles.

### Use:

Before and while using the sauna, please select the “Ion” option to remove airborne particles by attaching them to the ionizer. After using the sauna, select the “O3” option to kill odor causing bacteria out of the sauna air.



## Color Therapy Lights

Some models will include color therapy lights (or chromo lights). The color lights are operated by the remote control only. Press any color on the remote control to turn the lights on and select a color. Press the “Cycle” button (lower right button) to cycle through the colors randomly. Press the “Power” button to turn the lights off.




# Control Panel Operation Instructions



1	temperature control ( reduce temperature) song select control (latter song)	8	timer control (reduce time)/ volume control (reduce volume)
2	temperature control (increase temperture)/ song select control ( previous song)	9	timer control (increase time)/ volume control (increase volume)
3	AUX connect interface	10	AUX
4	FM	11	blue tooth
5	USB connect interface	12	Family 3/4: Switch far infrared mode/steam mode
6	USB	12	Family 1/2: This button has no function.
7	light	13	power button (on/off)

### 1. On/Off button

Press the "  " button to turn the sauna on or off. When the power is on, the first press turns the sauna on, and the second press turns the sauna off. After setting the temperature (Infrared: 32-140 °F / Steam: 32-194 °F), the system temperature has a memory function, memorizing the last set temperature value, and the default time is the maximum value of 60 minutes.

### 2. Temperature setting


After turning on the sauna, press the temperature + and temperature - buttons to adjust the temperature of the light wave. The temperature adjustment range is 86-140°F (infrared) / 86-194°F (steam), with a step of 5; when the temperature is below 86 degrees, it will display -


Fahrenheit and Celsius conversion: Press and hold the TEMP + button for 10 seconds to convert between Fahrenheit and Celsius.


### 3. Time setting

The time can be adjusted from 5 to 60 minutes, with a step of 1. When the countdown reaches 0 minutes, the buzzer will sound 3 times, with an interval of 1.5 seconds between each sound.


4. Press the "  " button to turn the light on or off.

5. Press the "  " button to turn on the radio function, the temperature area displays the frequency, the clock area displays "XX", the time +/- adjusts the volume, the temperature +/- adjusts the frequency, there is no button response for 8 seconds, and the display switches to temperature and time.


6. Press the "  " button to turn on the AUX function, the temperature area displays AUX, the clock area displays "XX", the time +/- adjusts the volume, there is no button response for 8 seconds, and the display switches to temperature and time.

7. Press the "  " button to turn on the USB function, the temperature area displays USB, the temperature +/- adjusts the previous and next songs, the clock area displays "XX", the time +/- adjusts the volume, there is no button response for 8 seconds, and the display switches to temperature and time.

Note: The USB disk reading time is 2-3 seconds.

8. Click the "  " button, the backlight is on, turn on Bluetooth, turn on the Bluetooth of the mobile device at this time, and search to complete the Bluetooth pairing. After the pairing is successful, you can play songs. The pairing time is 6-7 seconds, the temperature area displays "T B", the clock area displays "XXdb", and the time +/- adjusts the volume. There is no button response for 8 seconds, and the display switches to temperature and time.

Note: During the Bluetooth pairing process, you cannot switch between Bluetooth, USB, and radio immediately. The switching time must be 6-7 seconds. If you switch immediately, you can switch after 6-7 seconds.

9. Press the "  " key to switch between the infrared system and the steam system. For safety reasons, the infrared system and the steam system cannot be started at the same time.

**High temperature protection function:**

When the sensor's detection temperature exceeds 140 degrees (infrared)/194 degrees (steam), the two digital tubes display HH at the same time, alarm and flash, all functions stop, even if the temperature drops below 140/194 degrees, the function cannot be restored, and the power must be turned off and then on again to use it normally.

**Sensor fault detection:**


**Open circuit:** The two digital tubes display " 00 " and flash, the buzzer alarms, the function cannot be turned on normally, and it can be used normally after the fault is eliminated.


**Short circuit:** The two digital tubes display " 11 " and flash, the buzzer alarms, the function cannot be turned on normally, and it can be used normally after the fault is eliminated.

**Temperature sensor failure:** The temperature digital tube displays " E0 ", the time digital tube displays normal, the buzzer alarms, and the function cannot be used normally. Check whether the wiring of the temperature sensor is normal. If it is normal, the temperature sensor needs to be changed.

**WiFi network configuration:**

When the mobile phone APP cannot search for the sauna, you need to debug the sauna without turning on the sauna to put it into network configuration mode.

Family 1 and Family 2 models: long press the "  " button, and hear the "di di di" sound, the sauna room network configuration is successful.

Family 3 and Family 4 models: long press the "  " button, and hear the "di di di" sound, the sauna room network configuration is successful.

**Special note:** The three major functions of this system, heating, lighting, and sound can be controlled independently and are not related to each other.

# **Saunas and Contraindications**

## **Saunas and Medications**

Individuals who are using prescription drugs should seek the advice of their personal physician or a pharmacist for possible changes in the drugs effect when the body is exposed to far infrared waves or elevated body temperature. Diuretics, barbiturates and beta-blockers may impair the body's natural heat loss mechanisms. Some over the counter drugs such as antihistamines may also cause the body to be more prone to heat stroke.

## **Saunas and Children**

The core body temperature of children rises much faster than adults. This occurs due to a higher metabolic rate per body mass, limited circulatory adaptation to increased cardiac demands and the inability to regulate body temperature by sweating. Consult with the child's Pediatrician before using the sauna.

## **Saunas and the Elderly**

The ability to maintain core body temperature decreases with age. This is primarily due to circulatory conditions and decreased sweat gland function. The body must be able to activate its natural cooling processes in order to maintain core body temperature.

## **Saunas and Cardiovascular Conditions**

Individuals with cardiovascular conditions or problems (hypertension / hypo tension), congestive heart failure, impaired coronary circulation or those who are taking medications, which might affect blood pressure, should exercise extreme caution when exposed to prolonged heat. Heat stress increases cardiac output, blood flow, in an effort to transfer internal body heat to the outside environment via the skin (perspiration) and respiratory system. This takes place primarily due to major changes in the heart rate, which has the potential to increase by thirty (30) beats per minute for each degree increase in core body temperature.

## **Saunas and Alcohol**

Contrary to popular belief, it is not advisable to attempt to "Sweat Out" a hangover. Alcohol intoxication decreases a person's judgment; therefore they may not realize it when the body has a negative reaction to high heat. Alcohol also increases the heart rate, which may be further increased by heat stress.

## **Saunas and Chronic Conditions / Diseases Associated With a Reduced Ability to Sweat or Perspire**

Parkinson's, Multiple Sclerosis, Central Nervous System Tumors and Diabetes with Neuropathy are conditions that are associated with impaired sweating.

## **Saunas and Hemophiliacs / Individuals Prone To Bleeding**

The use of Infrared saunas should be avoided by anyone who is predisposed to bleeding.

### **Saunas and Fever**

An individual that has a fever should not use any type of sauna.

### **Saunas and Insensitivity to Heat**

An individual that has insensitivity to heat should not use any type of sauna.

### **Saunas and Pregnancy**

Pregnant women should consult a physician before using any type of sauna because fetal damage can occur with a certain elevated body temperature.

### **Saunas and Menstruation**

Heating of the low back area of women during the menstrual period may temporarily increase their menstrual flow. Some women endure this process to gain the pain relief commonly associated with their cycle whereas others simply choose to avoid saunas use during that time of the month.

### **Saunas and Joint Injury**

If you have a recent (acute) joint injury, it should not be heated for the first 48 hours after an injury or until the hot and swollen symptoms subside. If you have a joint or joints that are chronically hot and swollen, these joints may respond poorly to vigorous heating of any kind. Vigorous heating is strictly contra-indicated in cases of enclosed infections be they dental, in joints or in any other tissues.

### **Saunas and Implants**

Metal pins, rods, artificial joints or any other surgical implants generally reflect far infrared waves and thus are not heated by this system; nevertheless you should consult your surgeon prior to using an Infrared Sauna. Certainly, the usage of an Infrared Sauna must be discontinued if you experience pain near any such implants. Silicone does absorb far infrared energy. Implanted silicone or silicone prostheses for nose or ear replacement may be warmed by the far infrared waves. Since silicone melts at over 200°C (392°F), it should not be adversely affected by the usage of Infrared saunas. It is still advised that you check with your surgeon and possibly a representative from the implant manufacturer to be certain.

*In the rare event, you experience pain and/or discomfort, immediately discontinue sauna use.*

# Warranty Policy

Dear customer:

First of all, thank you for choosing to buy our products!

In order to ensure product quality, specify product quality.

The responsibility of both parties is to ensure that the product quality is qualified, and to ensure product safety, the following guarantees are hereby made:

Warranty scope:

All accessories in the sauna room including wooden planks and slats, etc.

Warranty period for wooden planks, wooden accessories (stools, backrests, headrests ) :  
3 years from the date of arrival;

Warranty period for lamps, control boards, oxygen bars, reading lights, etc.: 3 years from the date of arrival.

Warranty:

(1) During the 1-year warranty period, in the case of non-human damage, all accessories, free replacement, and the shipping cost will be borne by the seller.

(2) During the 1-year warranty period, if all accessories are due to human factors, our company will be responsible for free replacement, and the freight will be borne by the buyer.

(3) During the warranty period of more than one year (not including one year), if all accessories are damaged due to non-human factors, our company can replace them for the customer at the cost price, and the freight will be borne by the seller.

(4) During the warranty period of more than one year (not including one year), if all accessories are damaged due to human factors, our company can replace them for the customer at the cost price, and the freight will be borne by the buyer.

The final interpretation of this warranty policy belongs to the company.