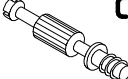
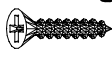
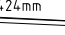
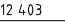
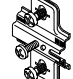

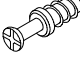
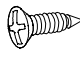





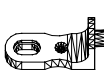
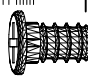





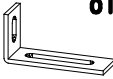
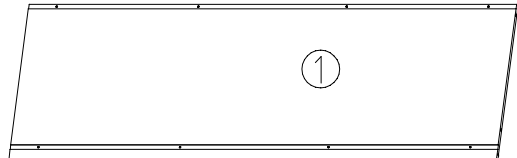
 111 102	A	16x
 111 103 3,5 x 35 mm	C	16x
 121 375	G14	8x
 4,24 mm	K21	2x
 112 403		

 112 268	M	14x
 112 267	N	14x
 111 229 3,5 x 15 mm	F	4x
 121 370	G1	10x

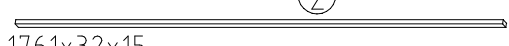
 112 190 M6 x 10	Y20	4x
 112 616 M4 x 9 mm	T3	8x
 111 015	G8	4x
 4 x 15mm	SP15	1x
 121 120		

 111 174 M6 x 11 mm	J1	7x
 121 181	T6	6x
 117 001	K1	4x
 111 610	L7	16x

 111 252	VB23	4x
 163 007	Z	2x
 111 052	SBV	4x
 111 052	o10	1x



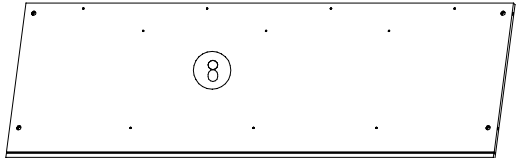
1761x560x15



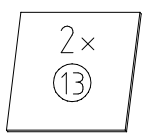
1761x32x15



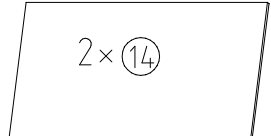
1761x32x15



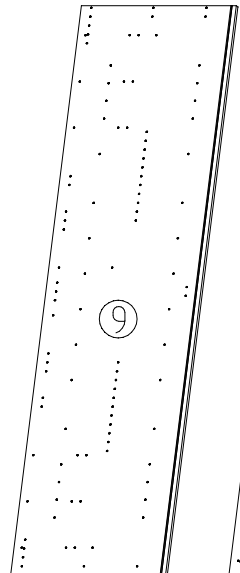
1761x560x15



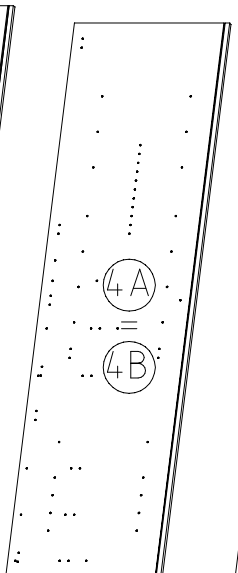
429x500x18



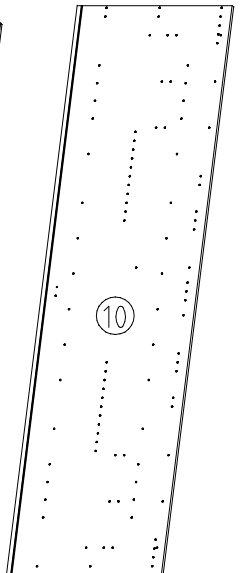
873x500x18



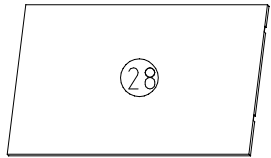
2064x560x15



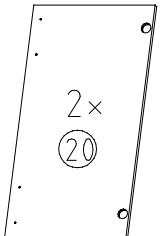
2001x560x15



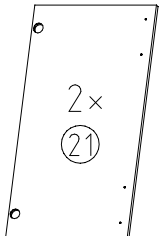
2064x560x15



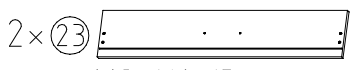
873x540x18



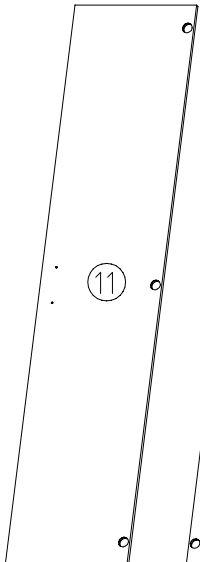
873x439x15



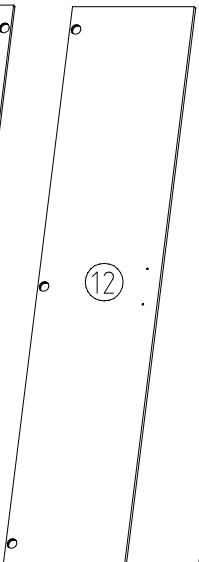
837x439x15



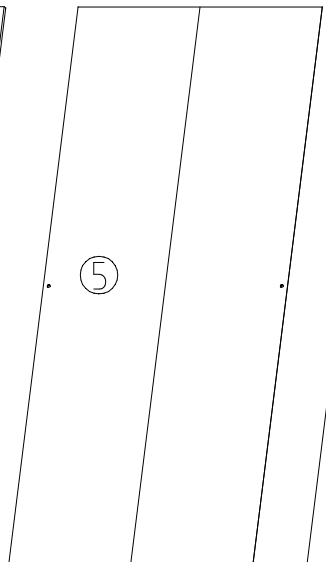
883x168x15



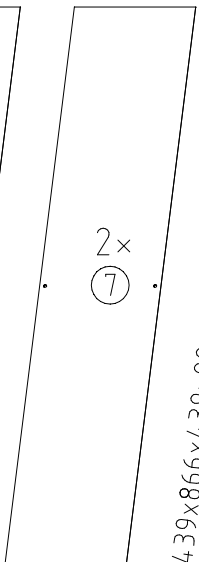
2021x439x15



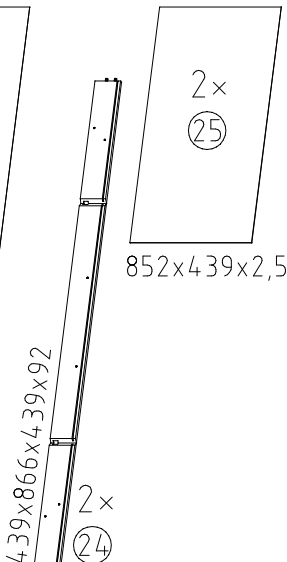
2021x439x15



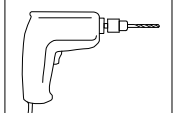
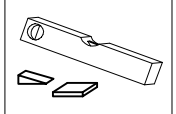
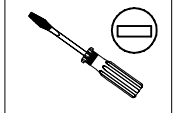
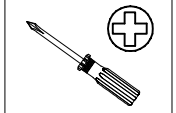
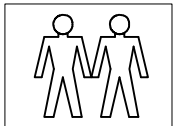
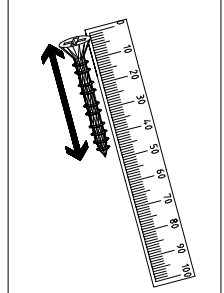
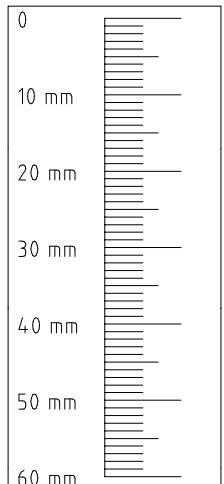
2015x882x2,5



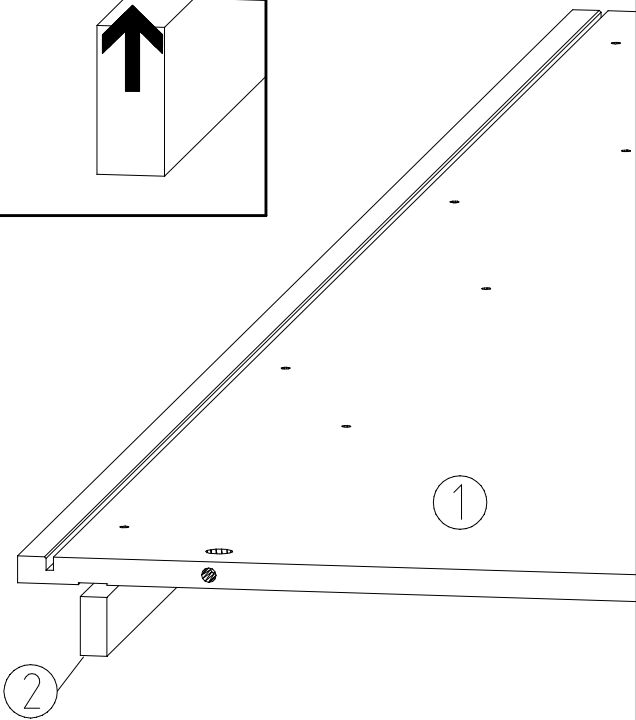
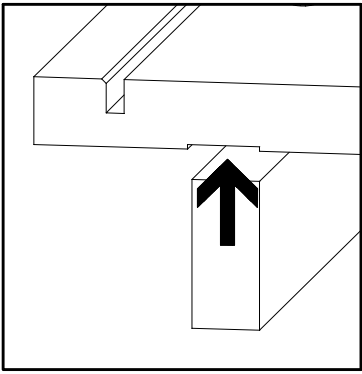
2015x438x2,5



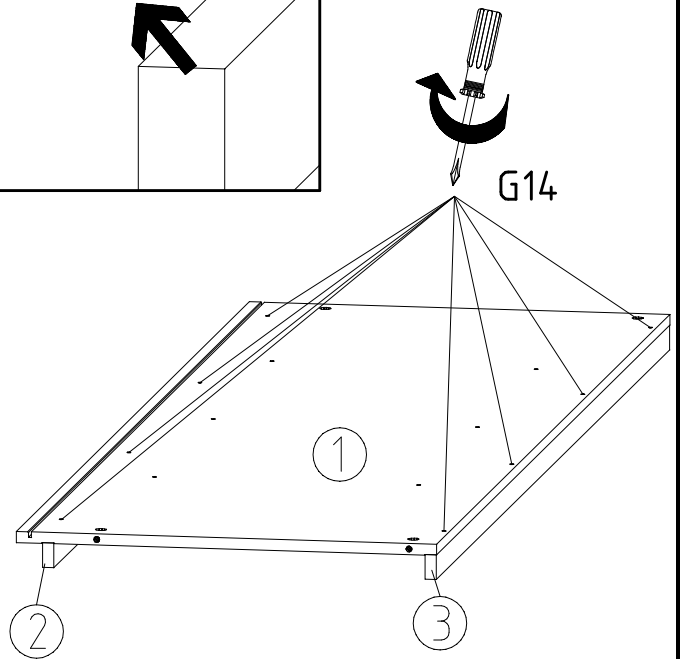
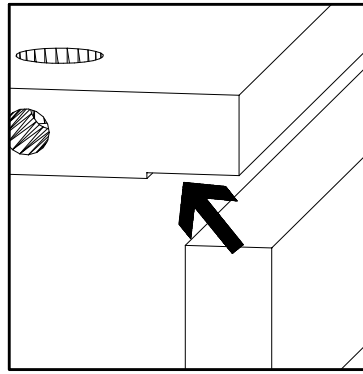
439x866x439x92



1

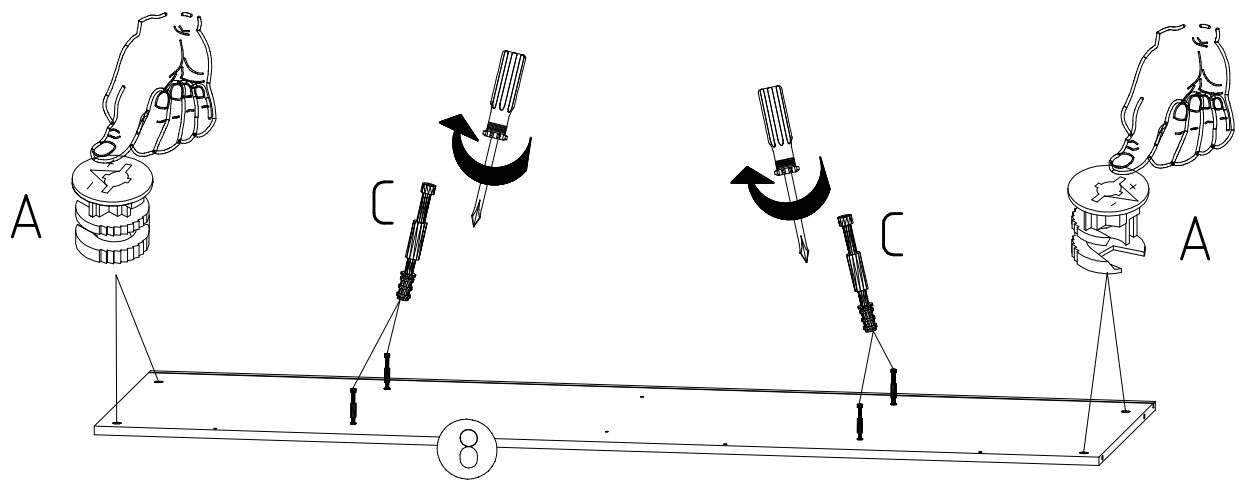
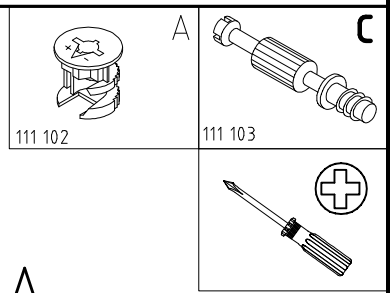
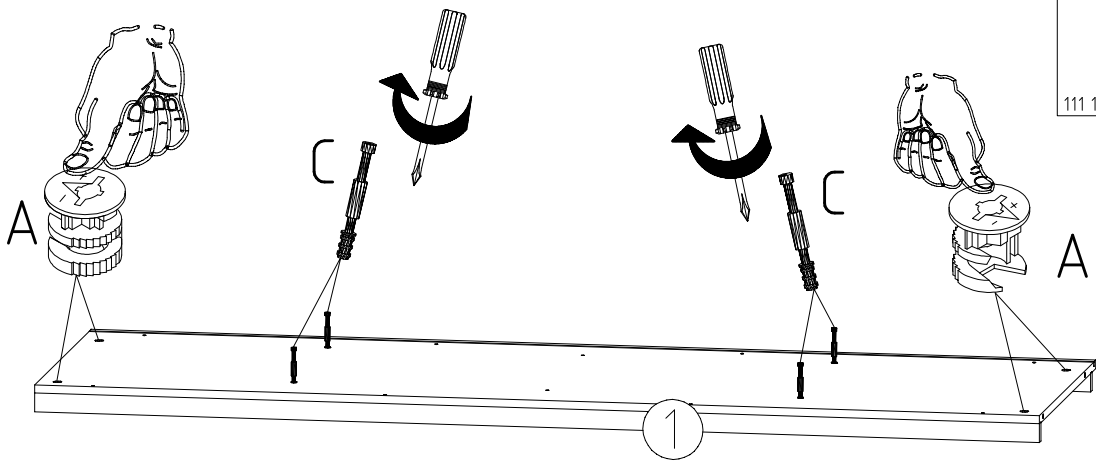


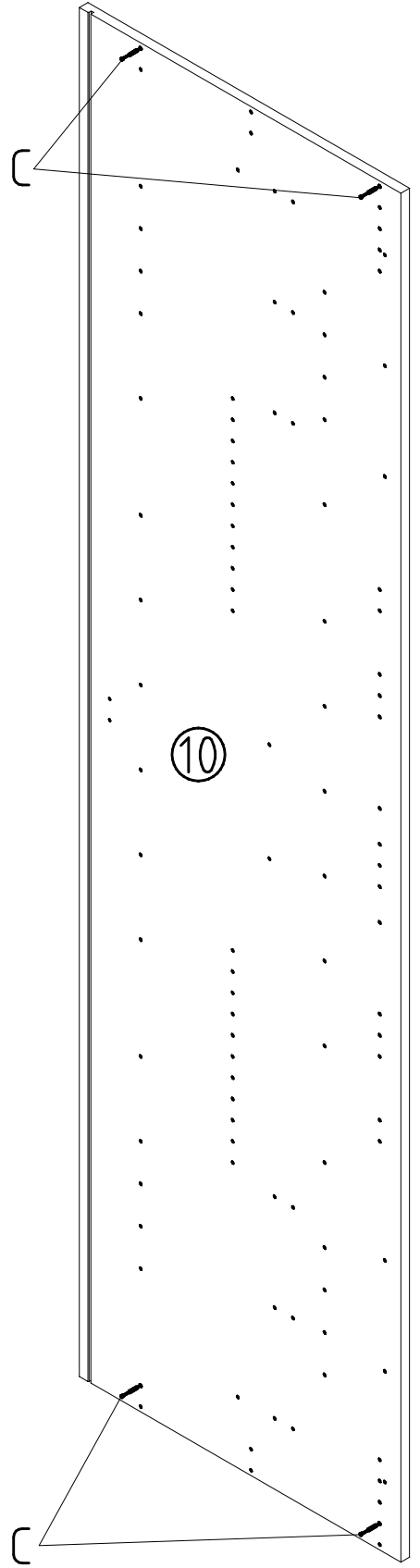
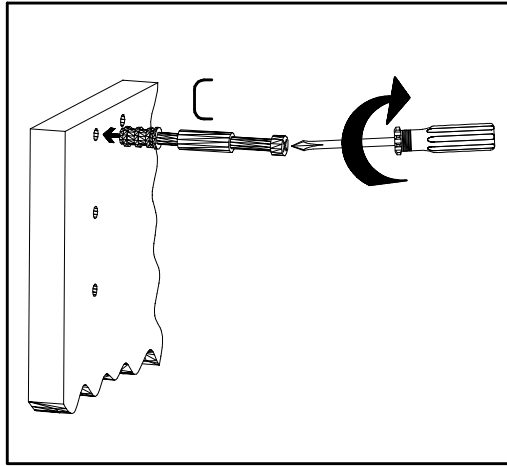
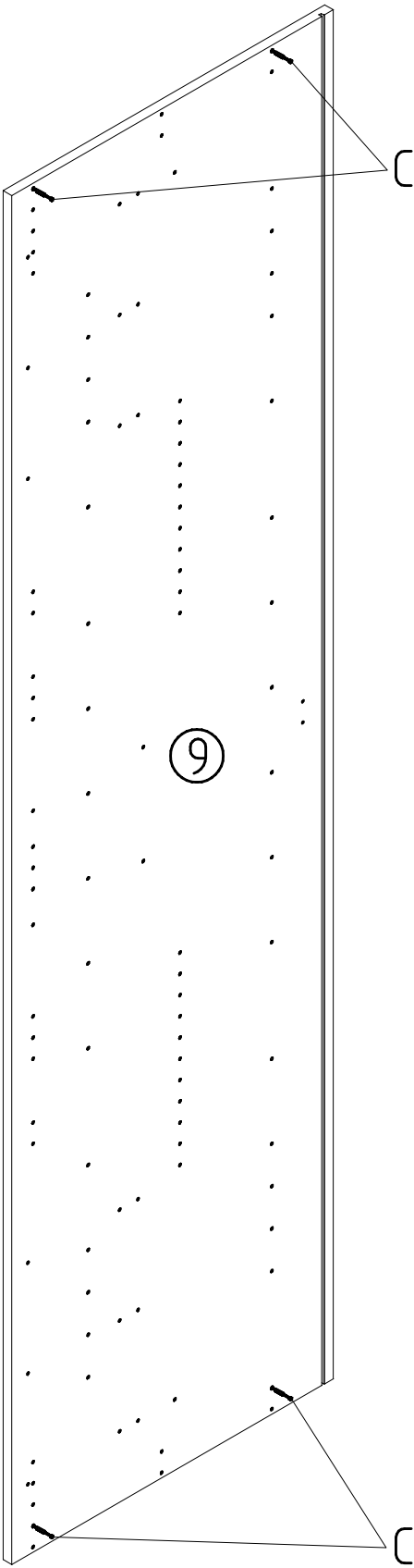
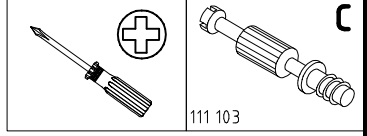
2

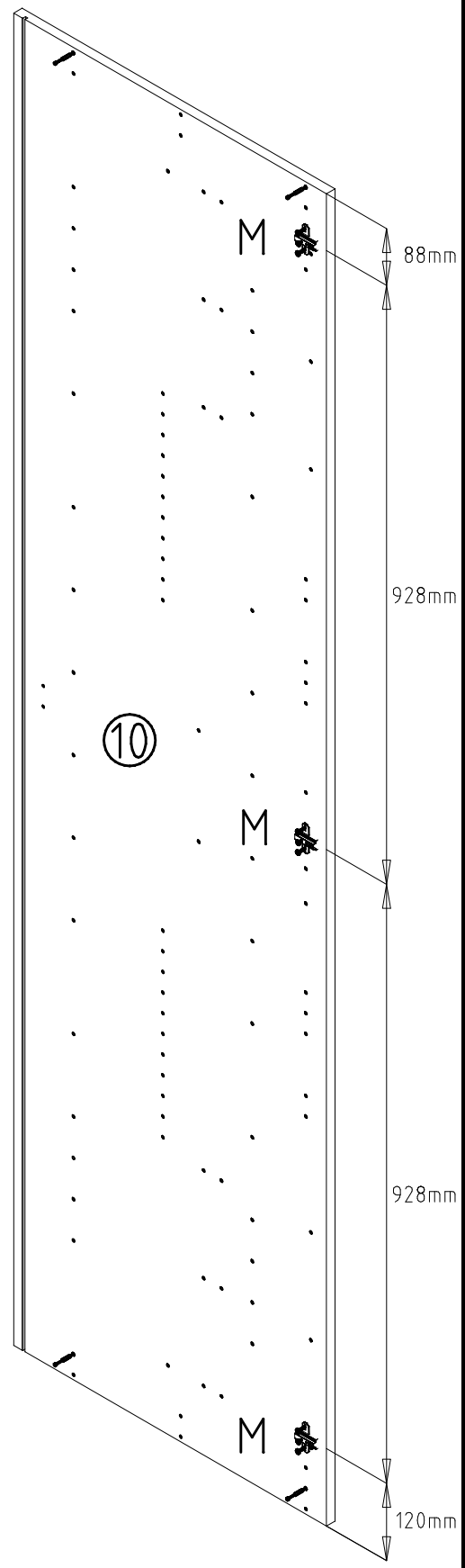
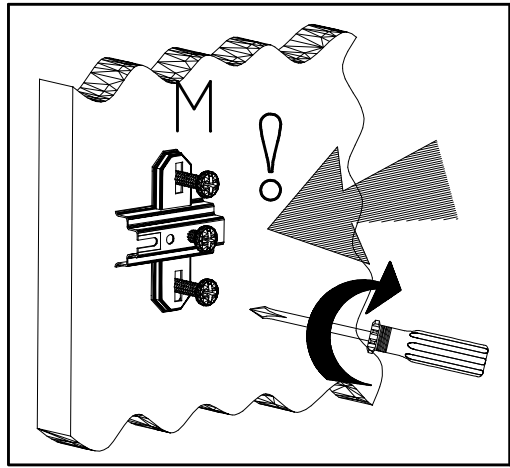
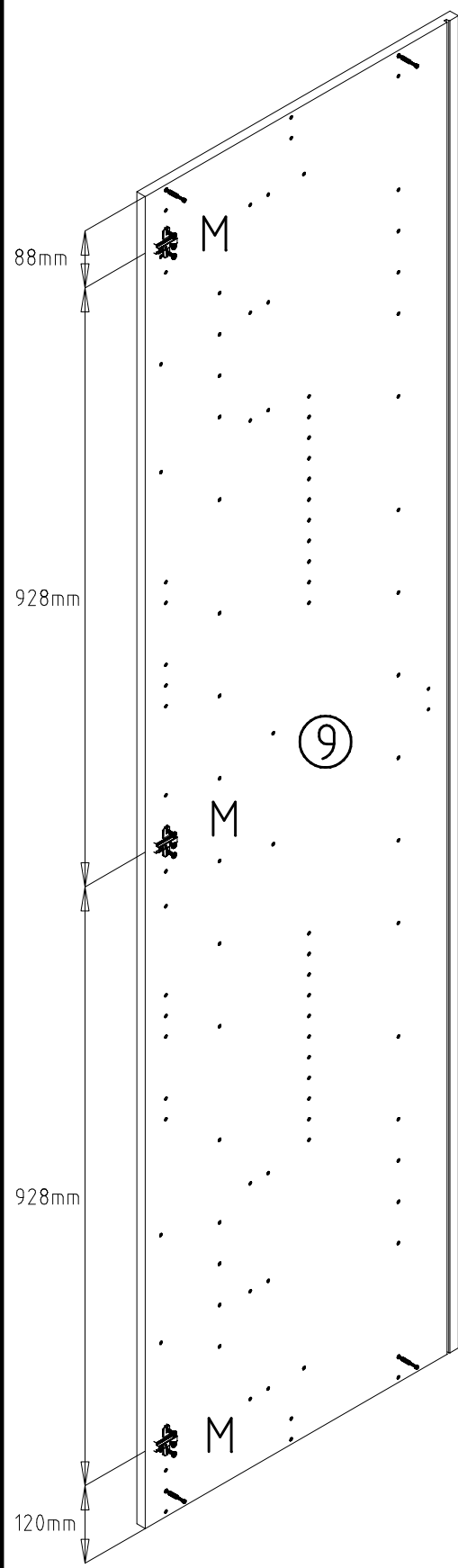
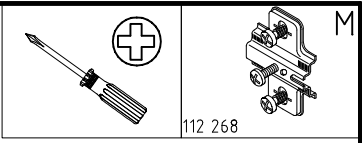


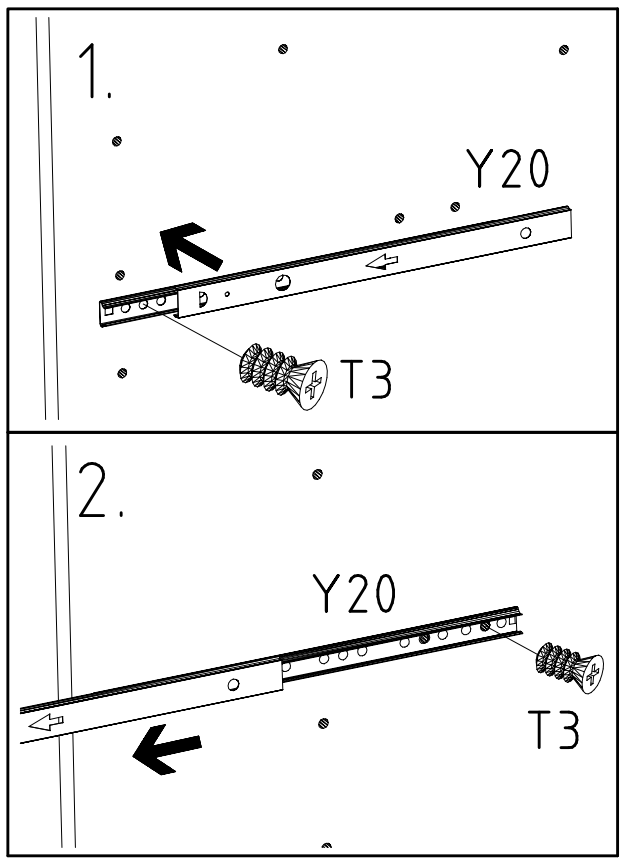
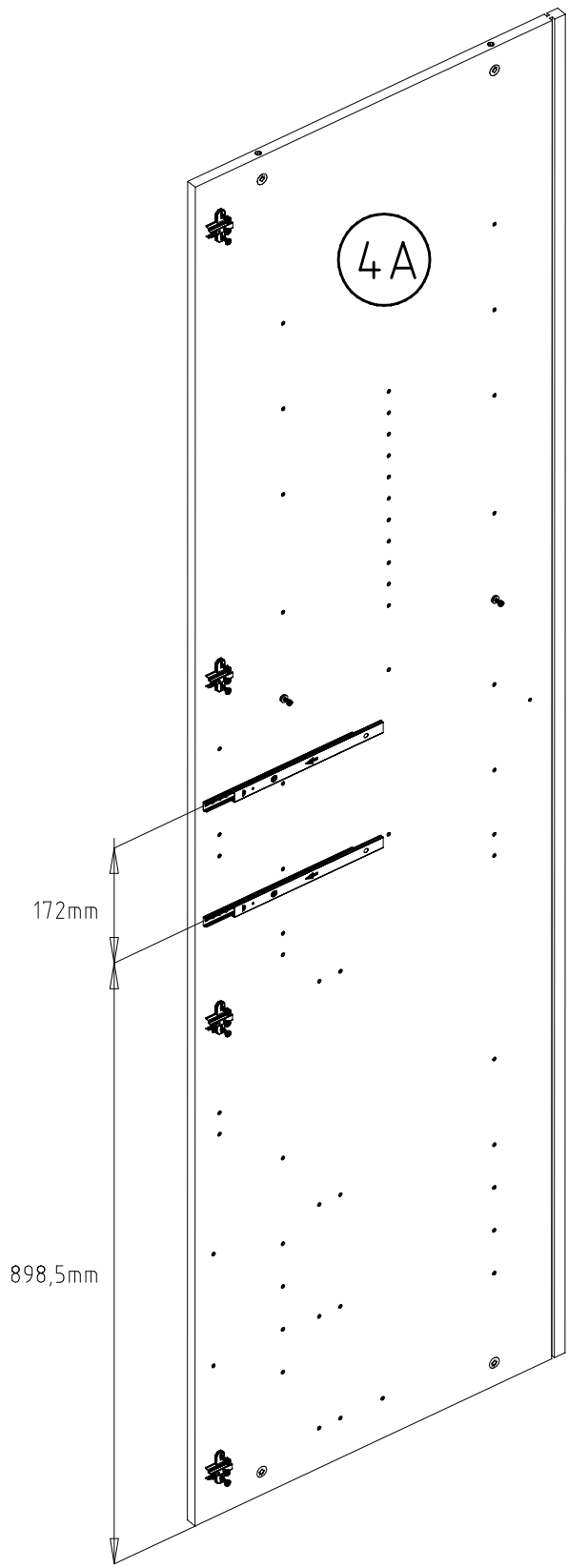
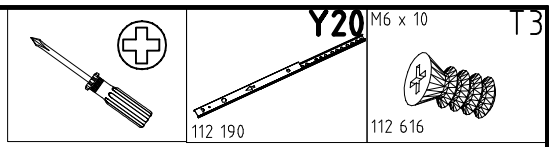
3,5 x 35 mm **G14**
121 375

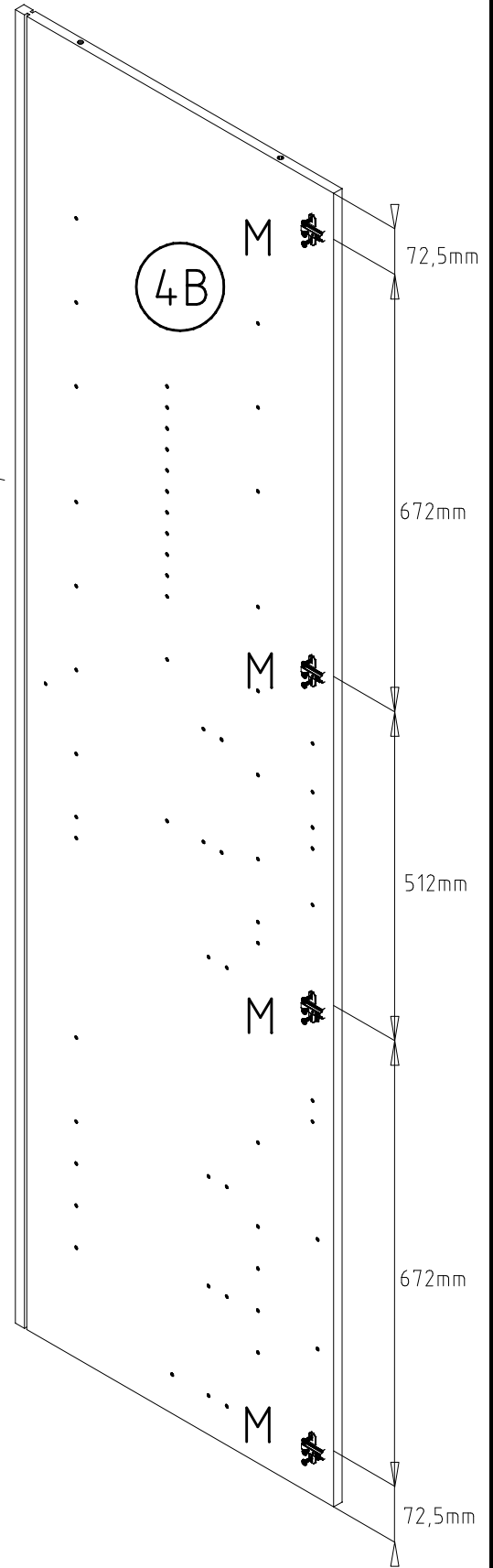
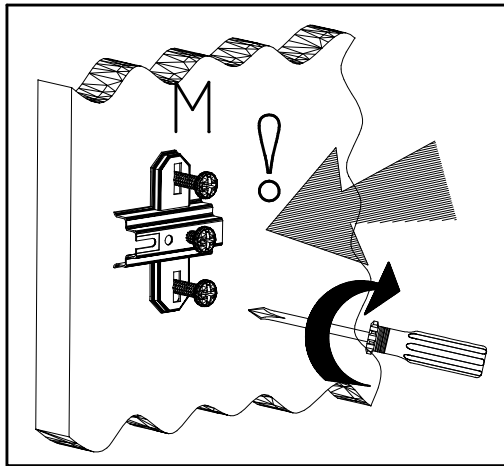
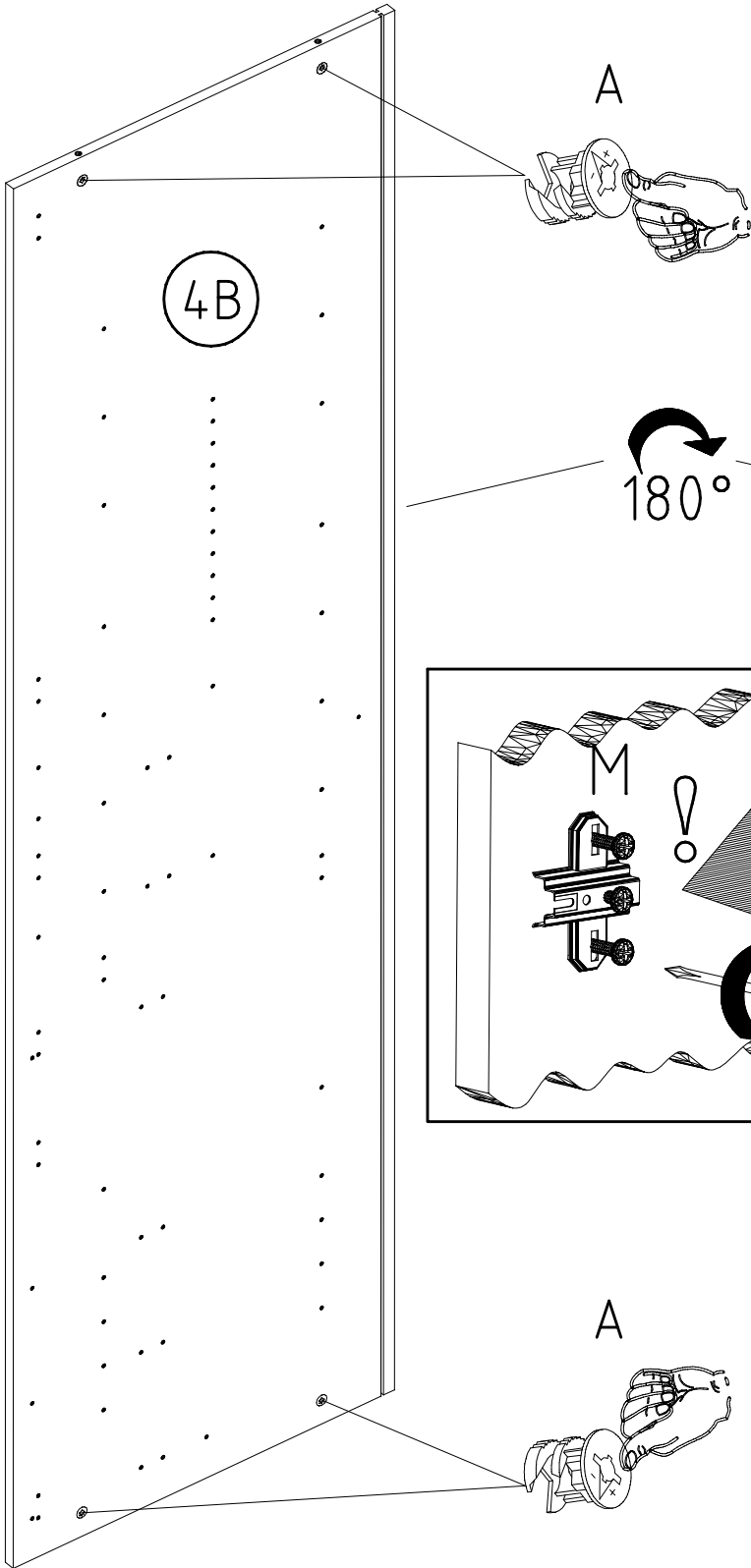
3

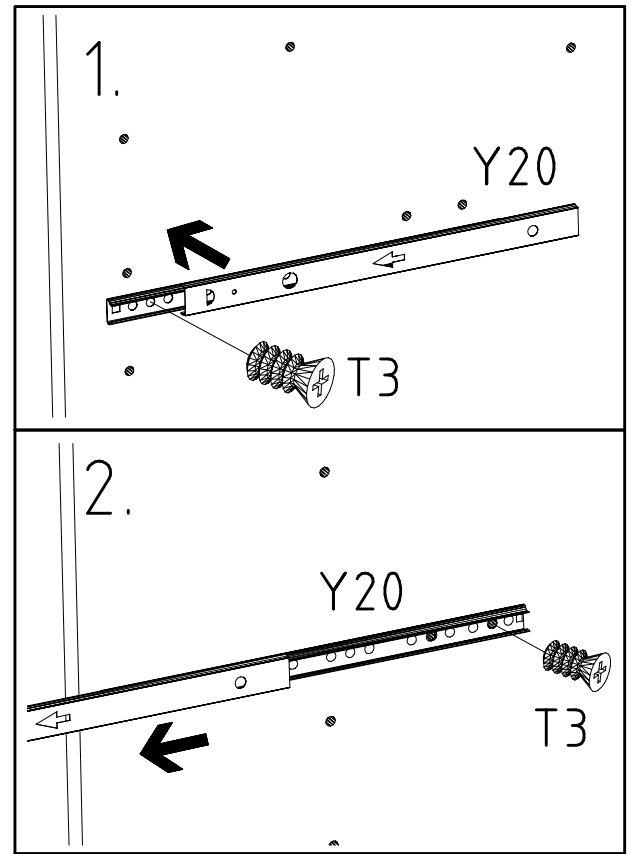
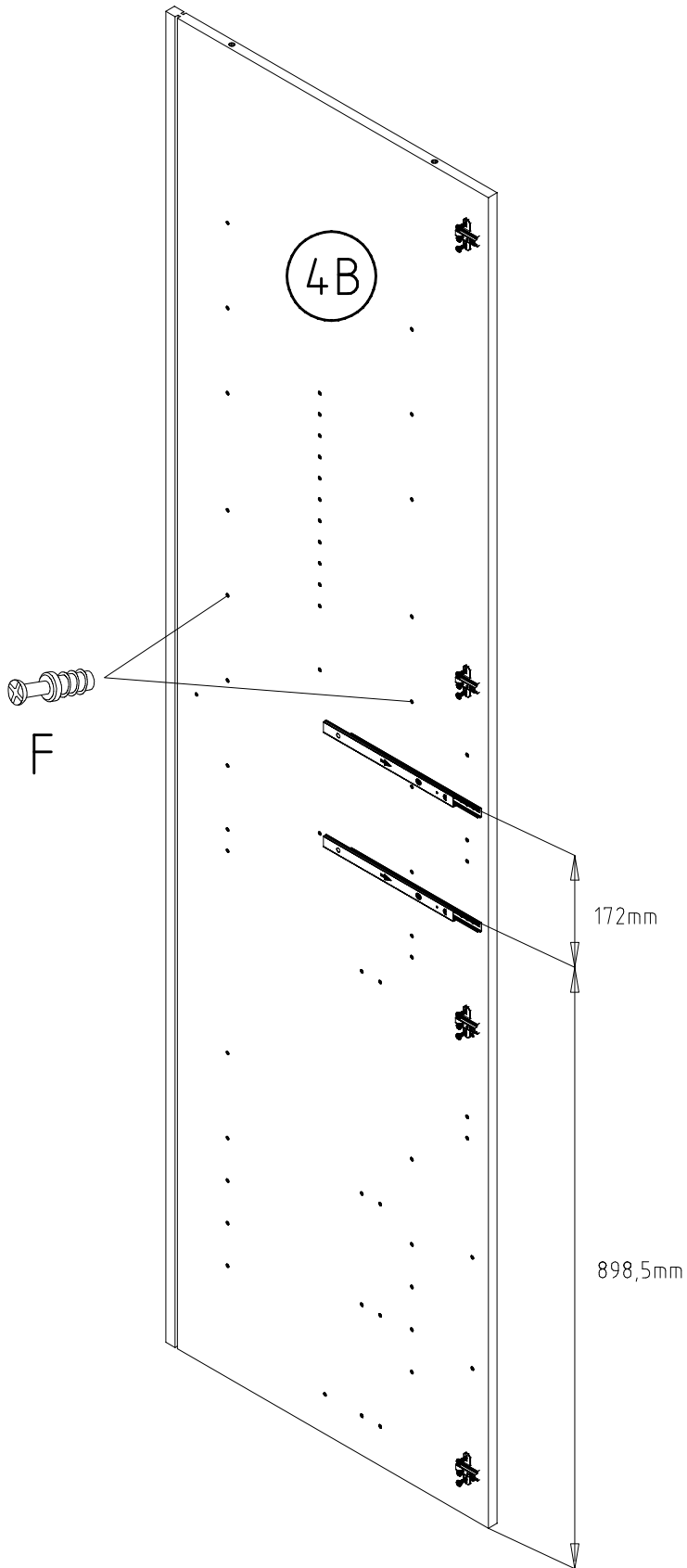
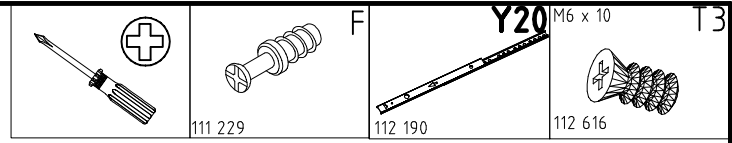




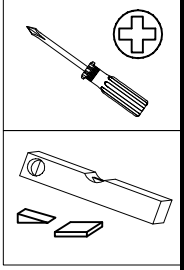
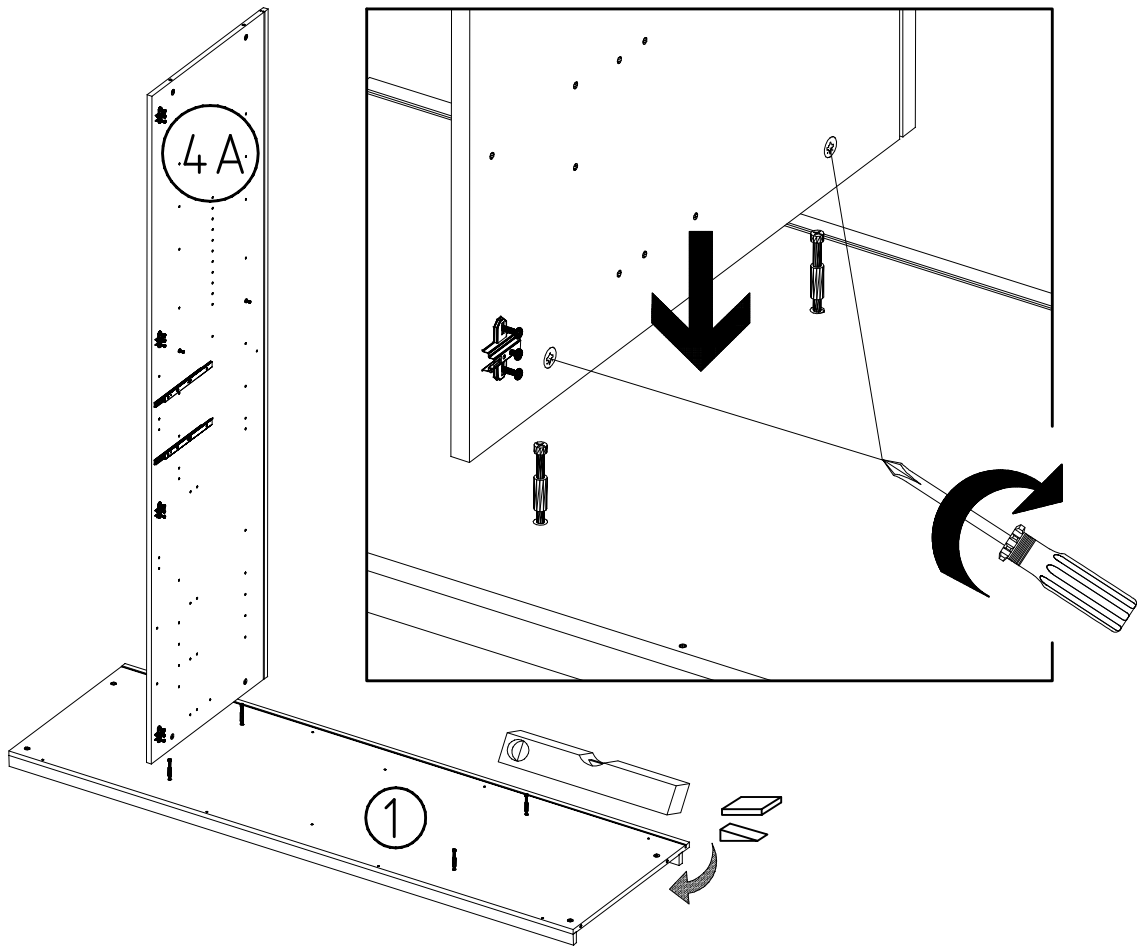




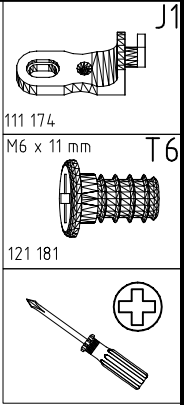
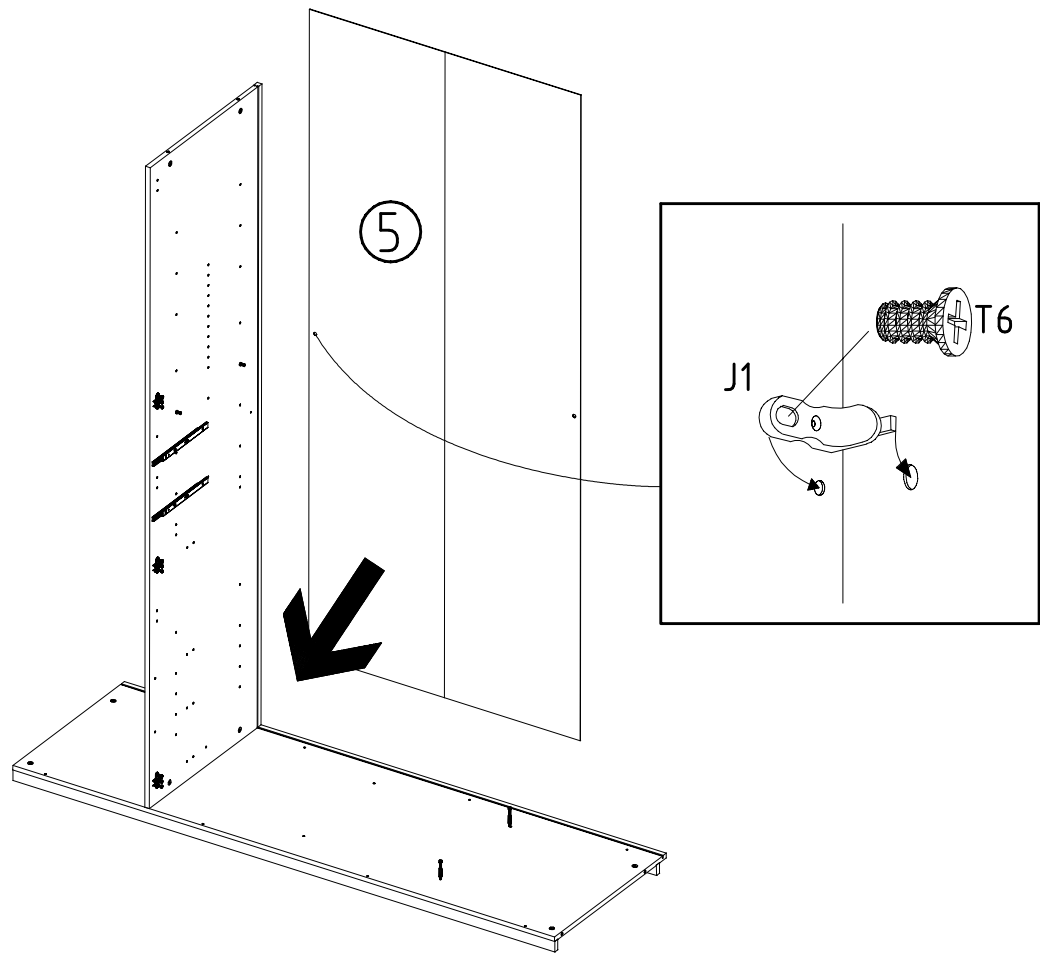




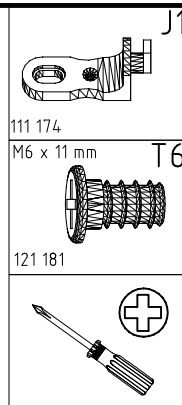
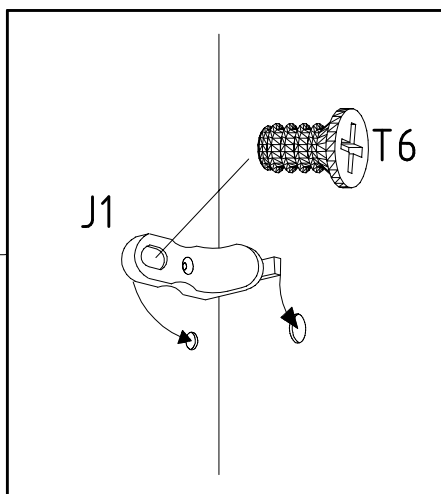
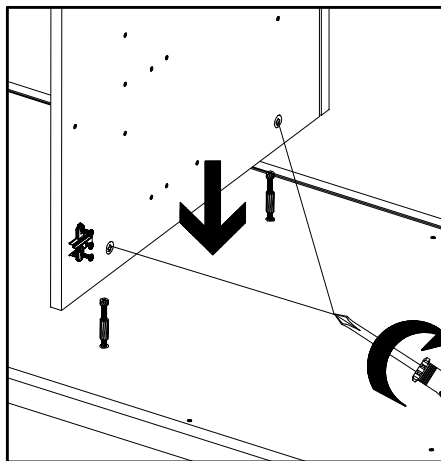
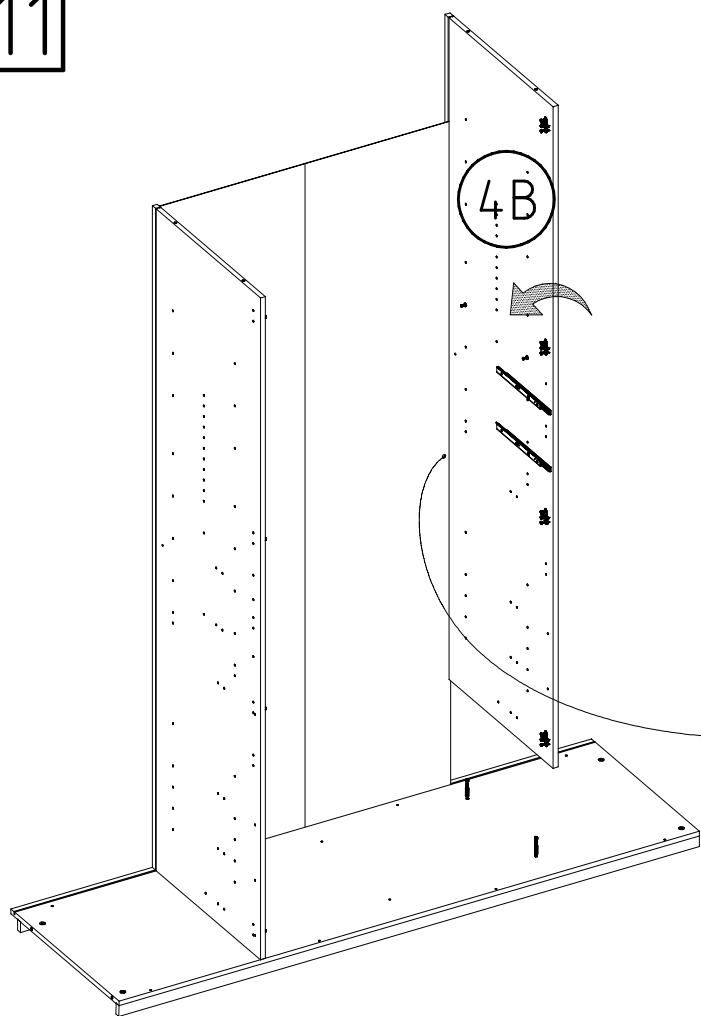
9



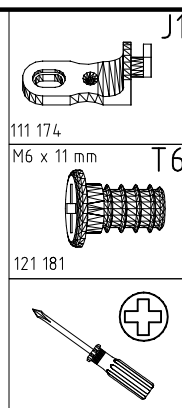
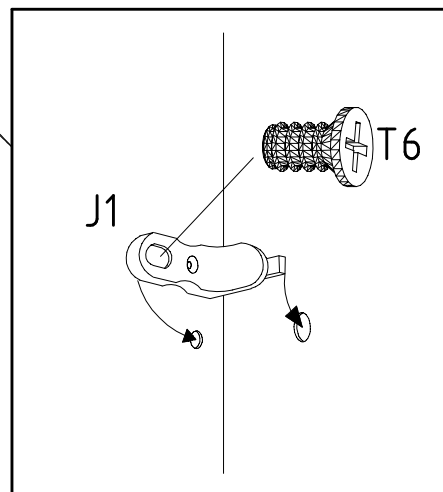
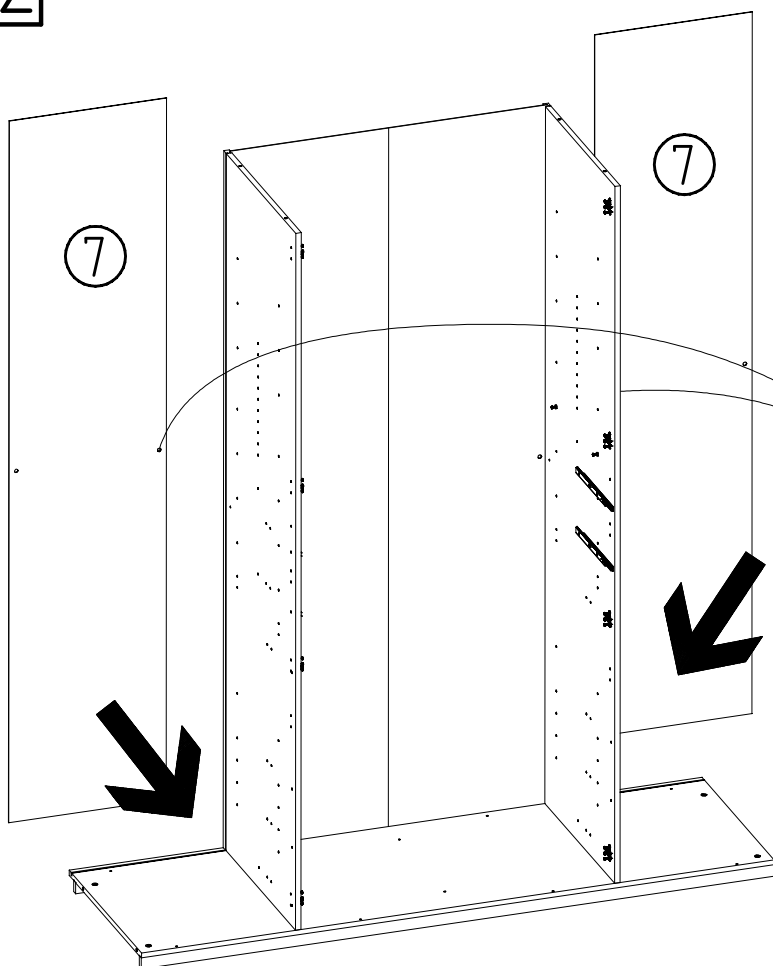
10



11

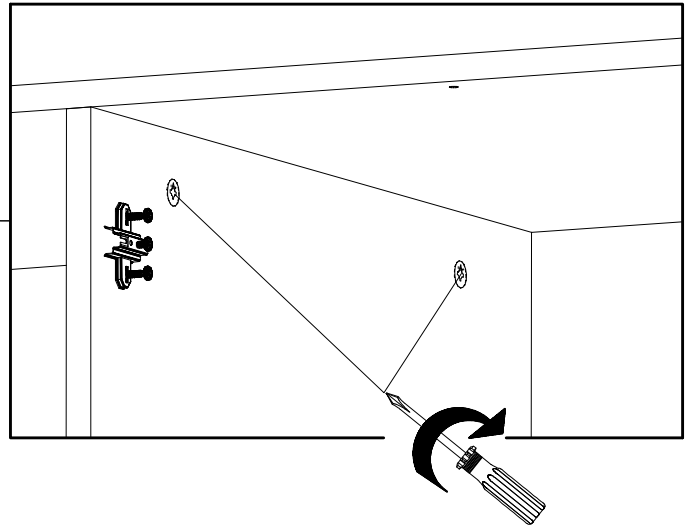
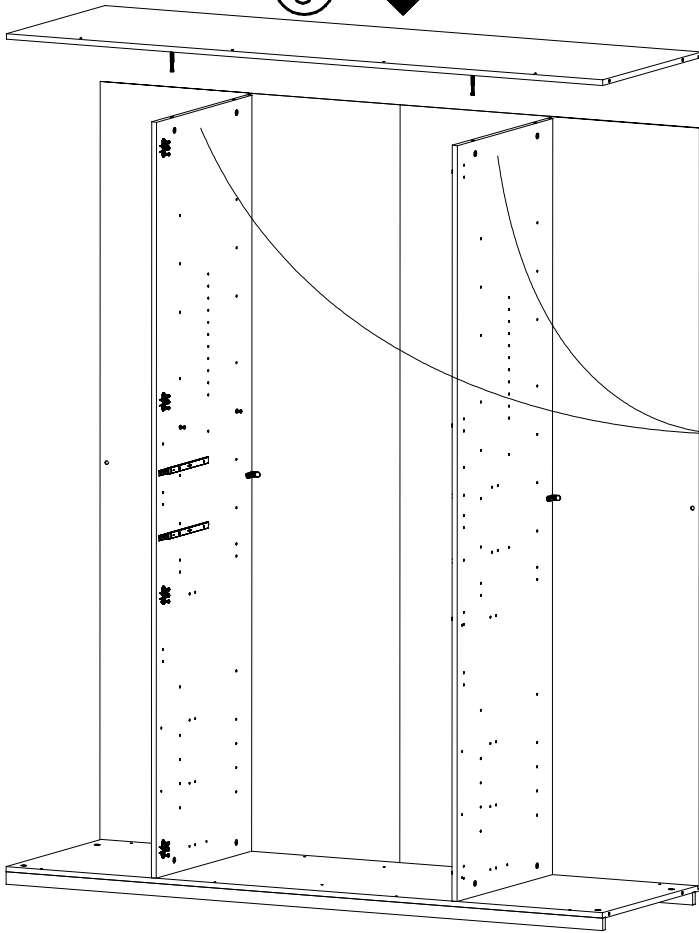
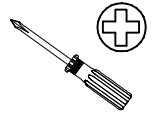


12

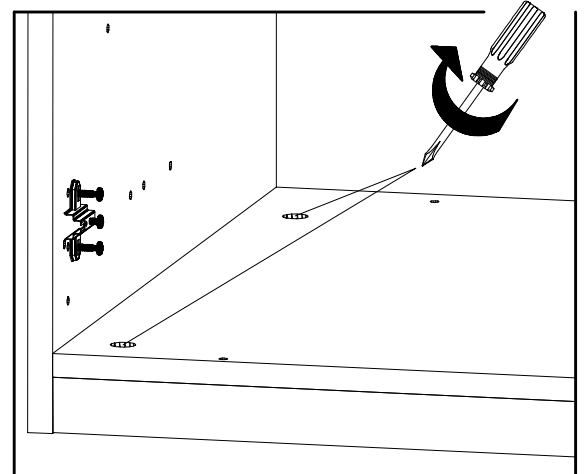
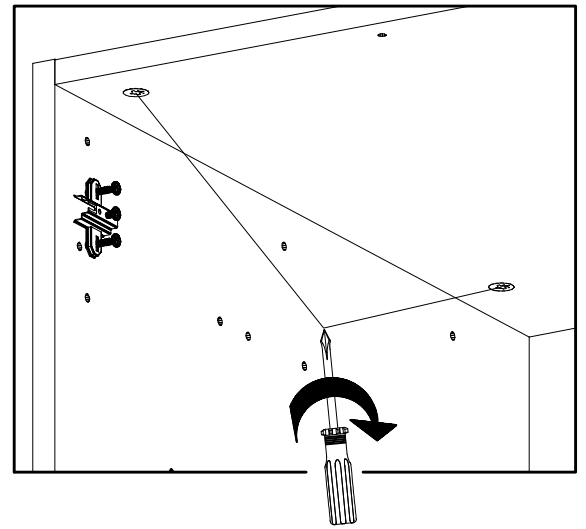
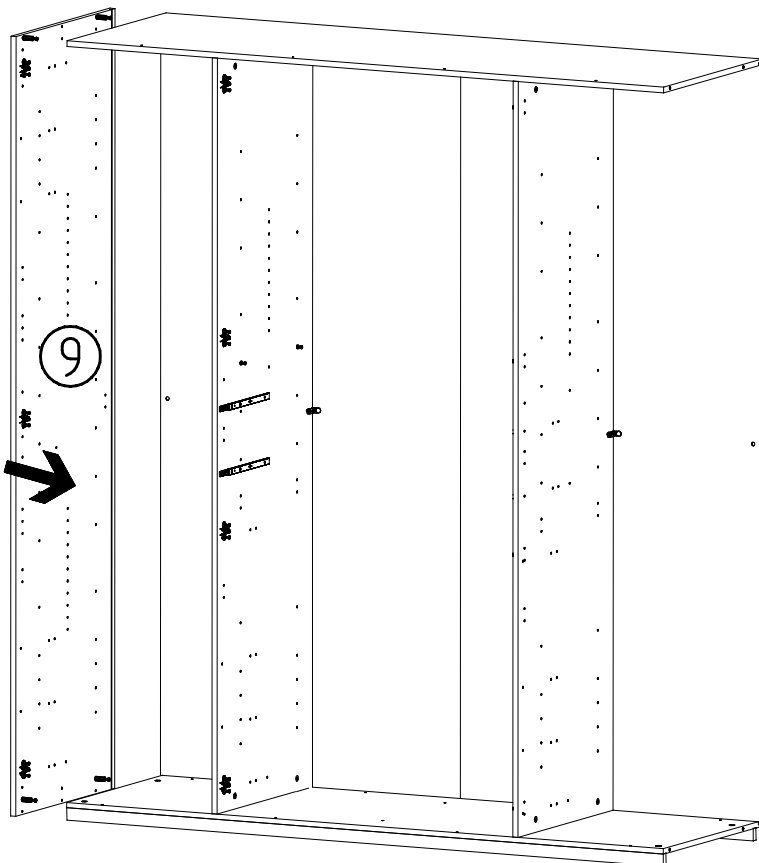
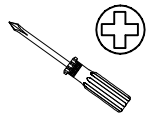


13

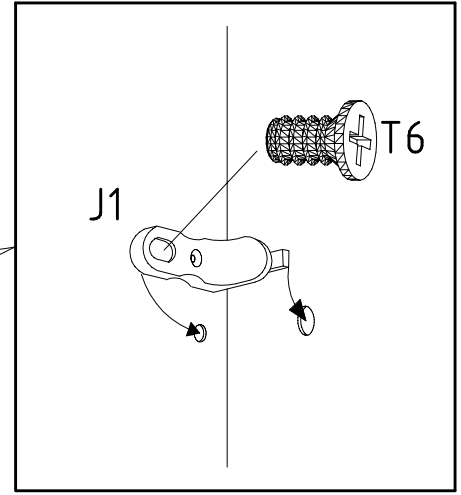
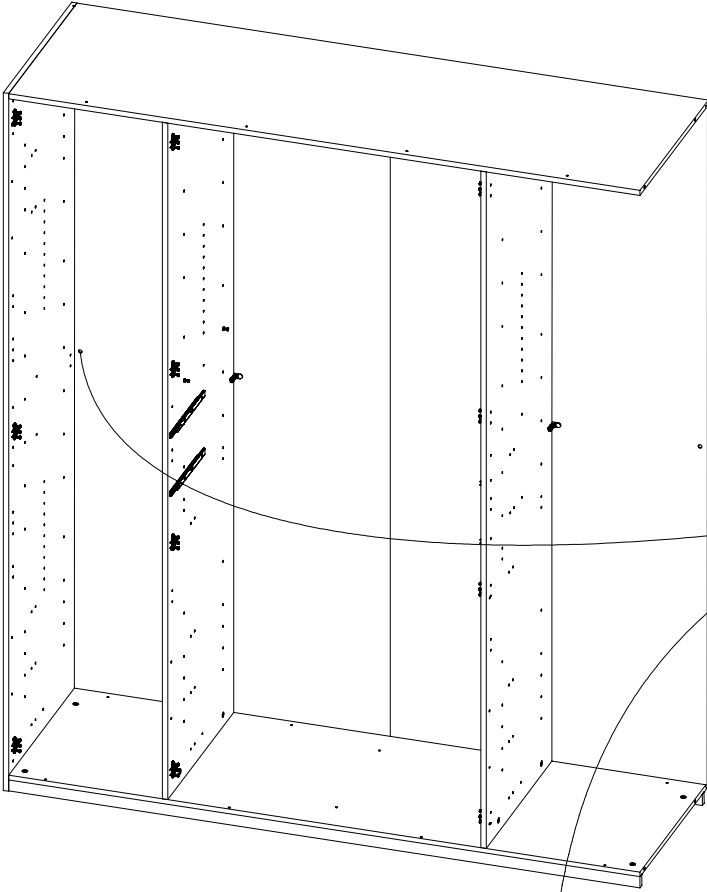
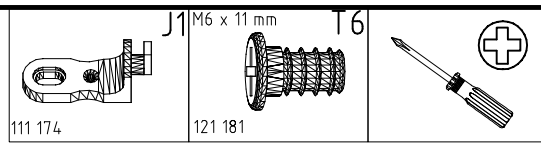
8



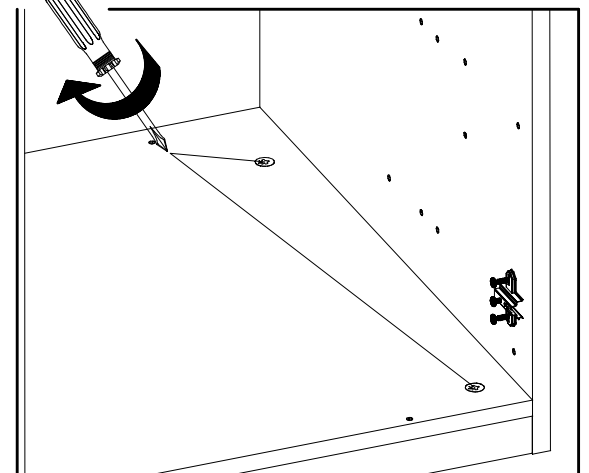
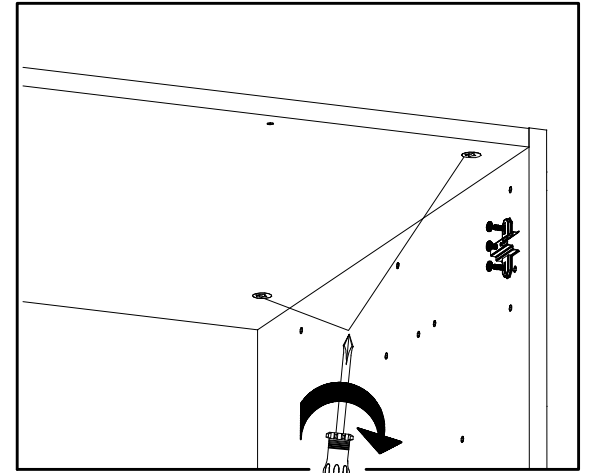
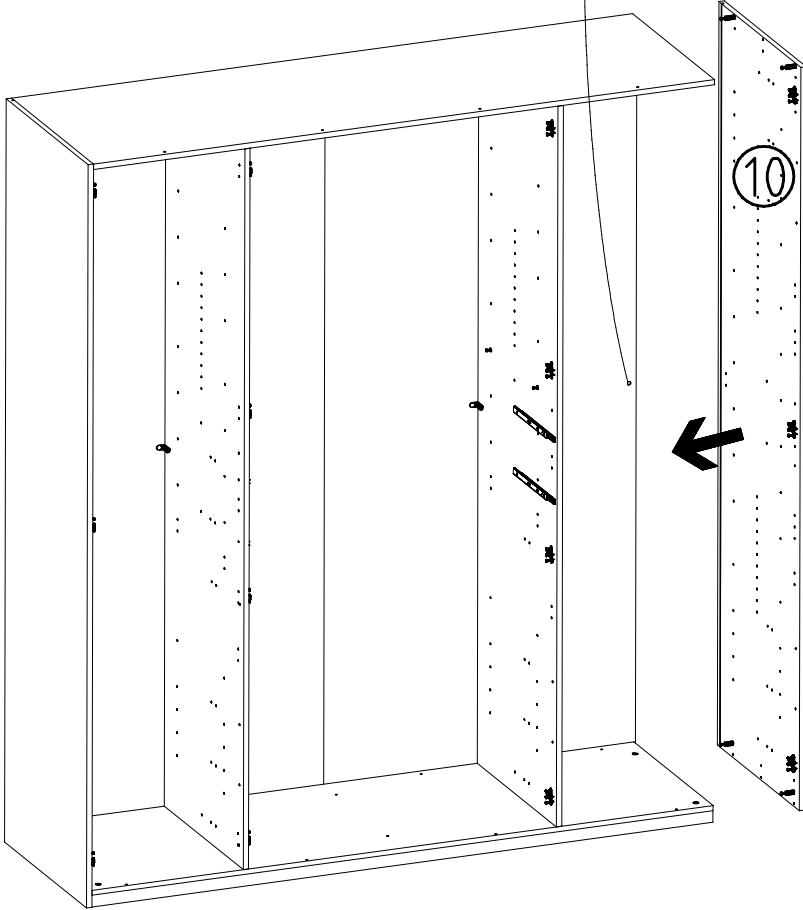
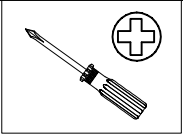
14

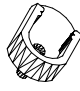
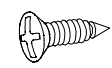
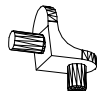
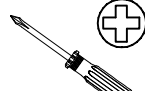


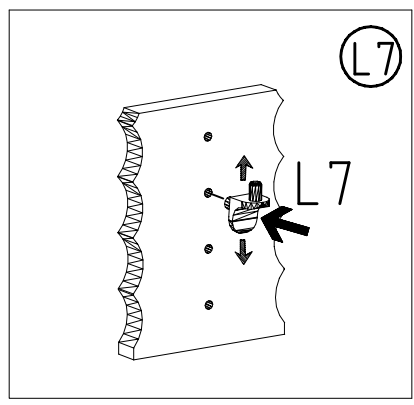
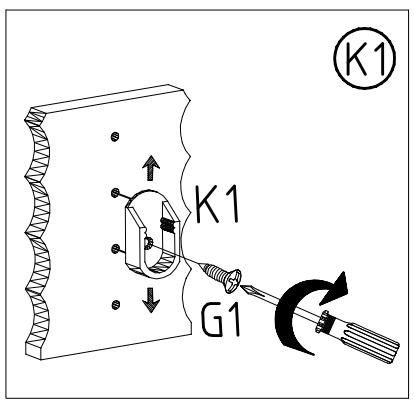
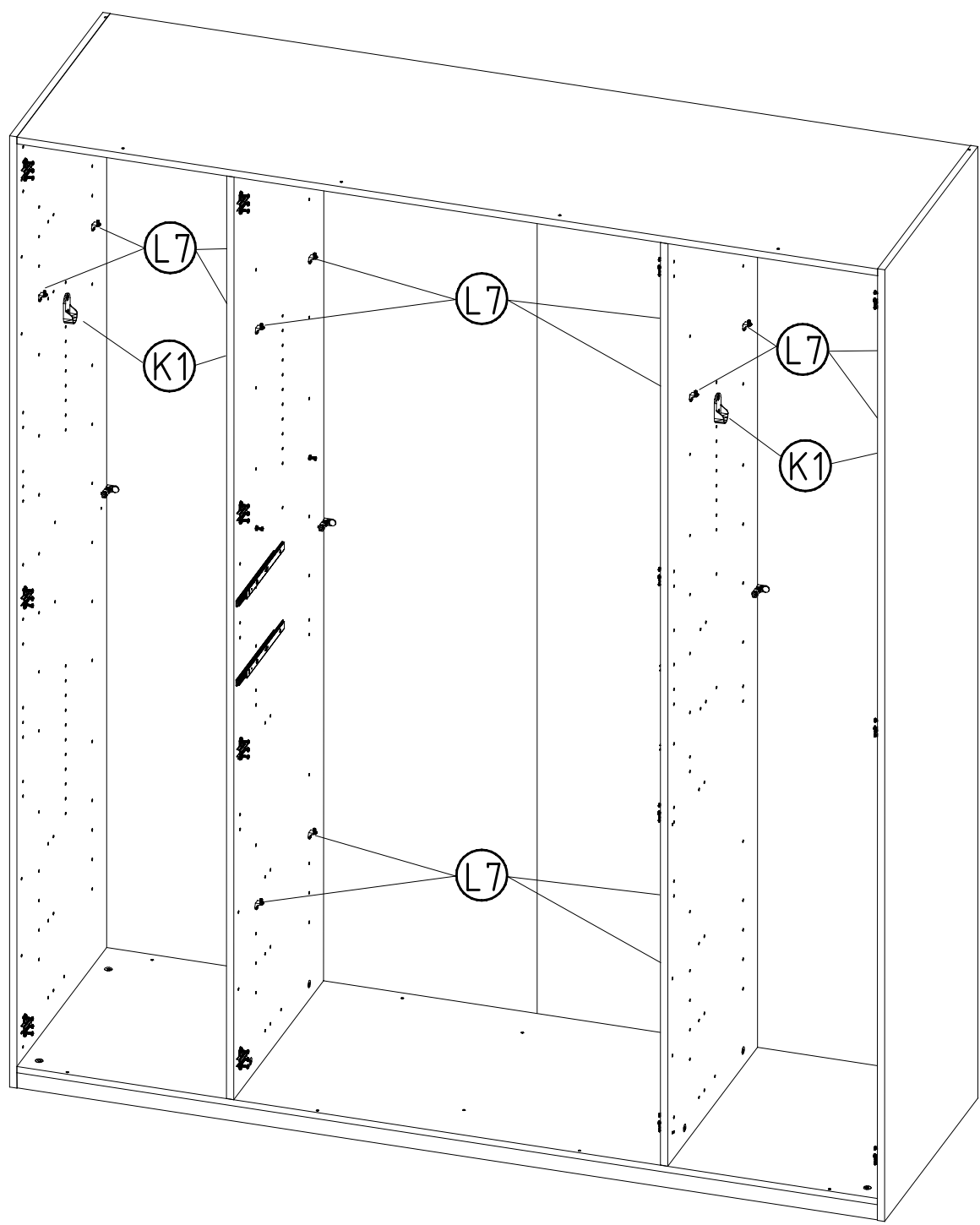
15



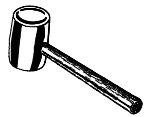
16



 K1 117 001	 3,5 x 15 mm G1 121 370	 L7 111 610	
---	--	---	--



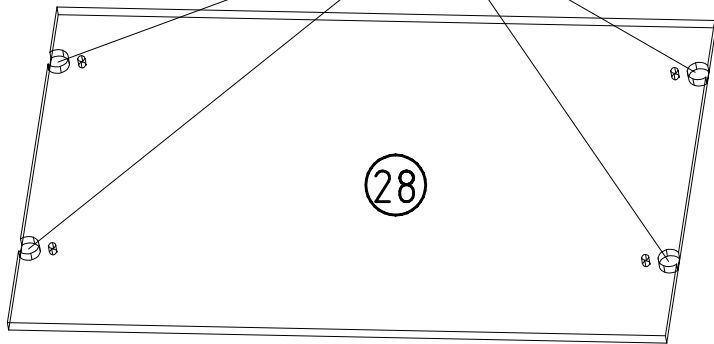
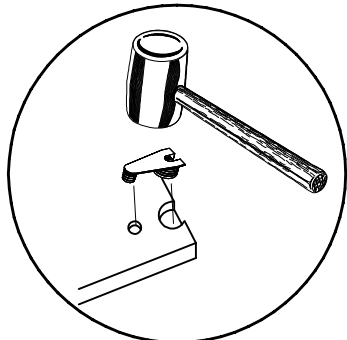
19



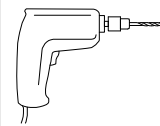
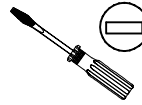
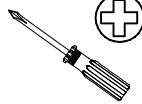
VB23



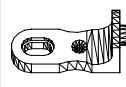
111 252



20



Ø 10mm



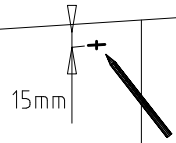
J1

111 174

4 X 13mm **SP13**

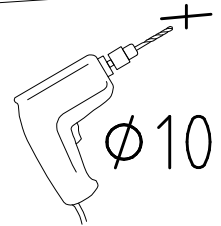


121 122



15mm

1.



Ø 10

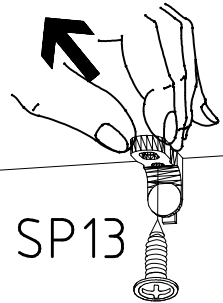
2.



J1

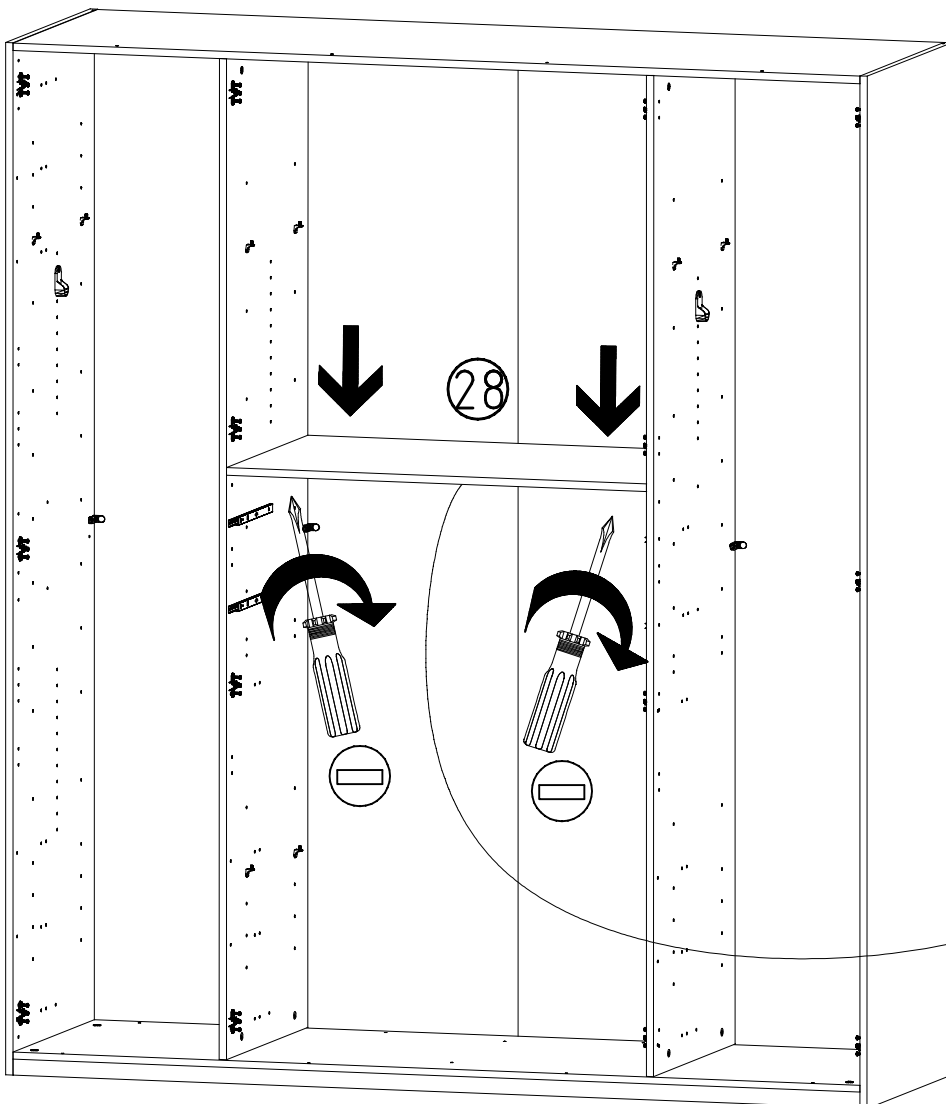


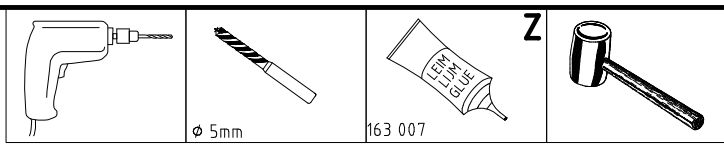
3.



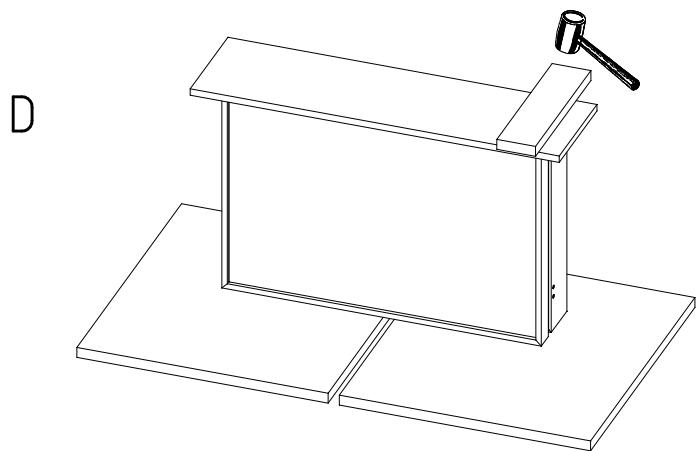
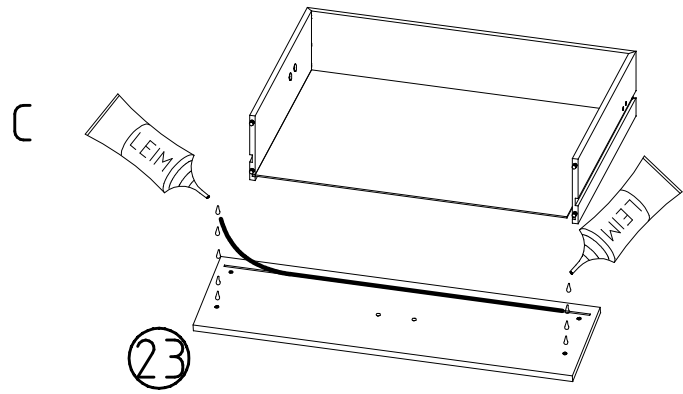
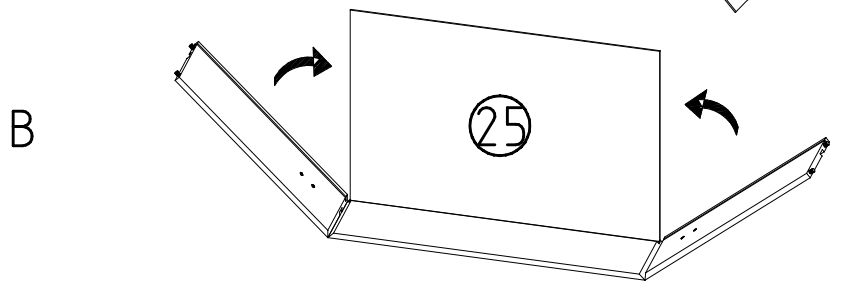
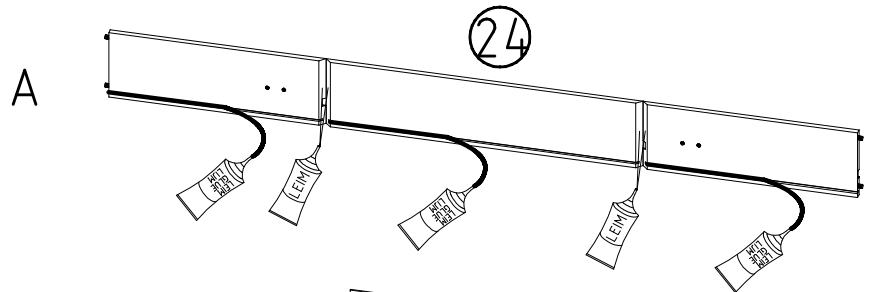
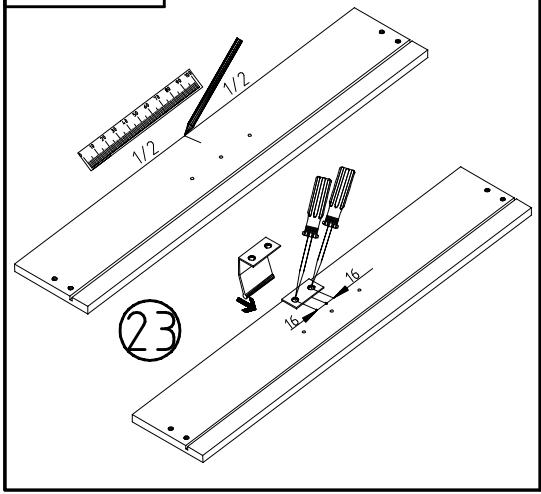
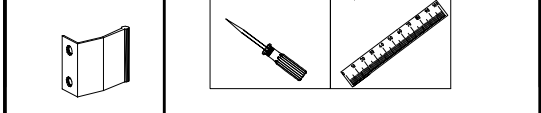
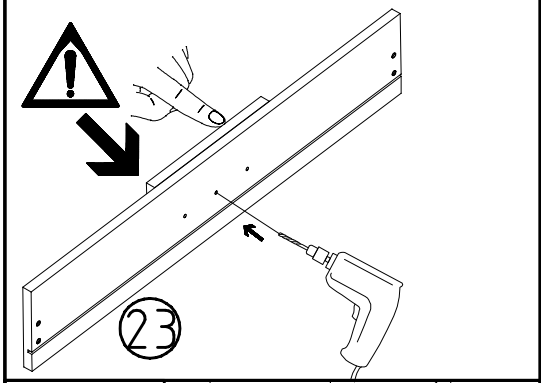
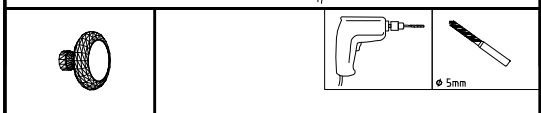
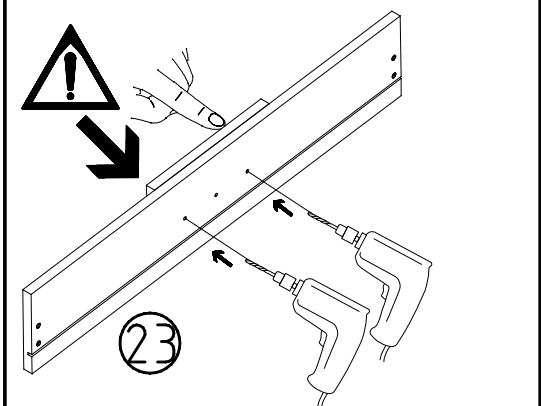
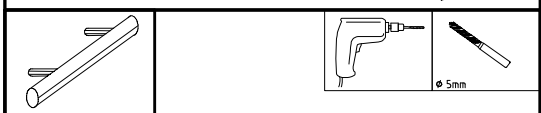
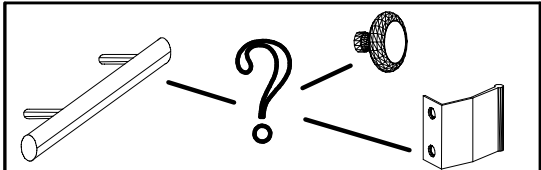
SP13

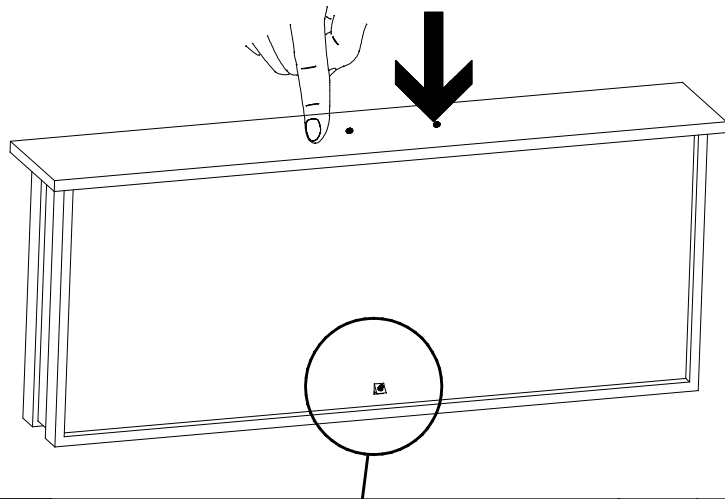
4.



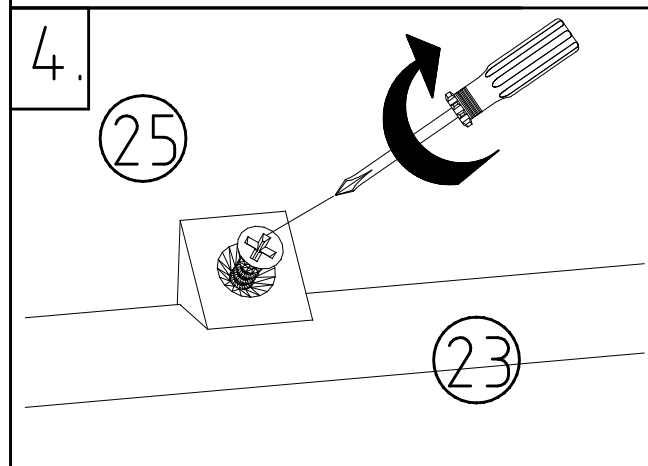
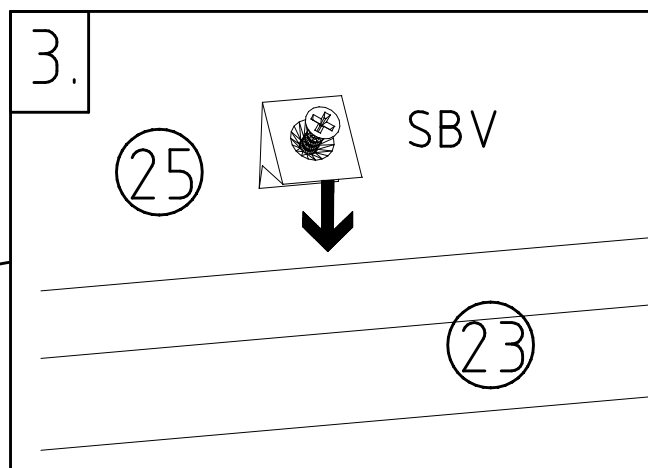
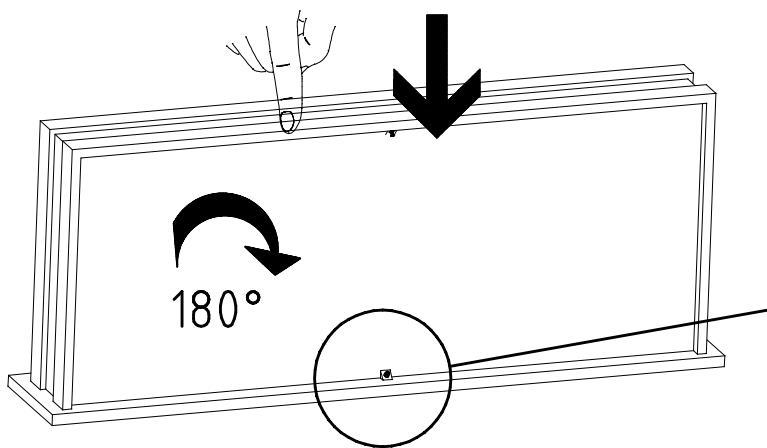
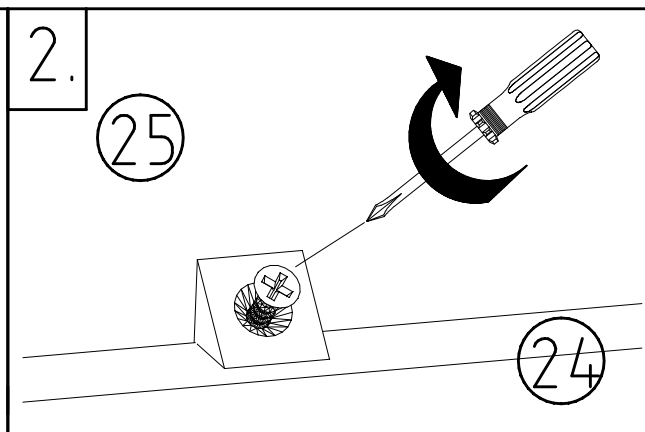
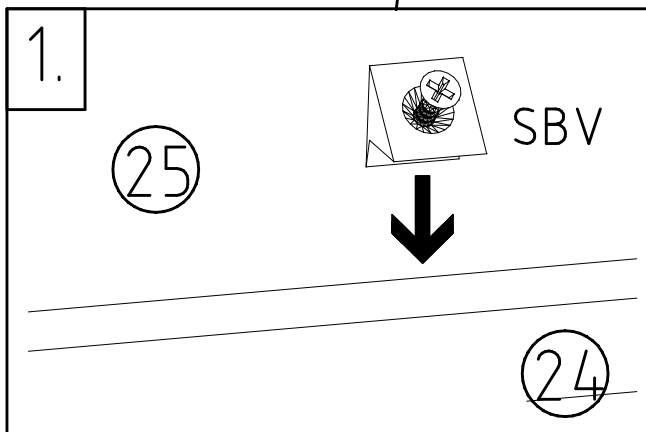
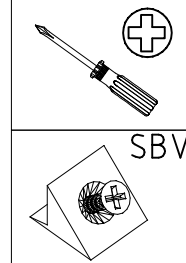


2x

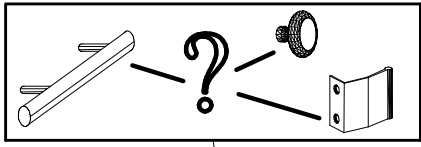




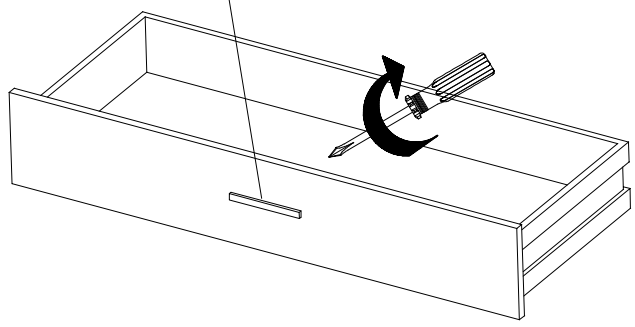
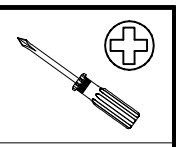
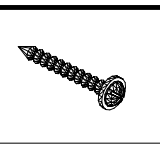
2x



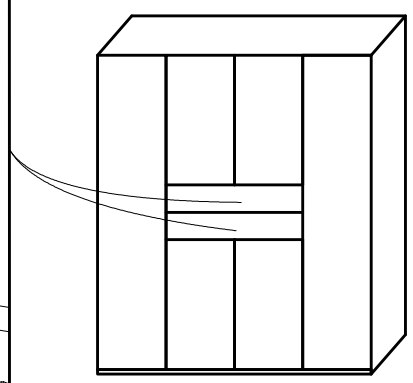
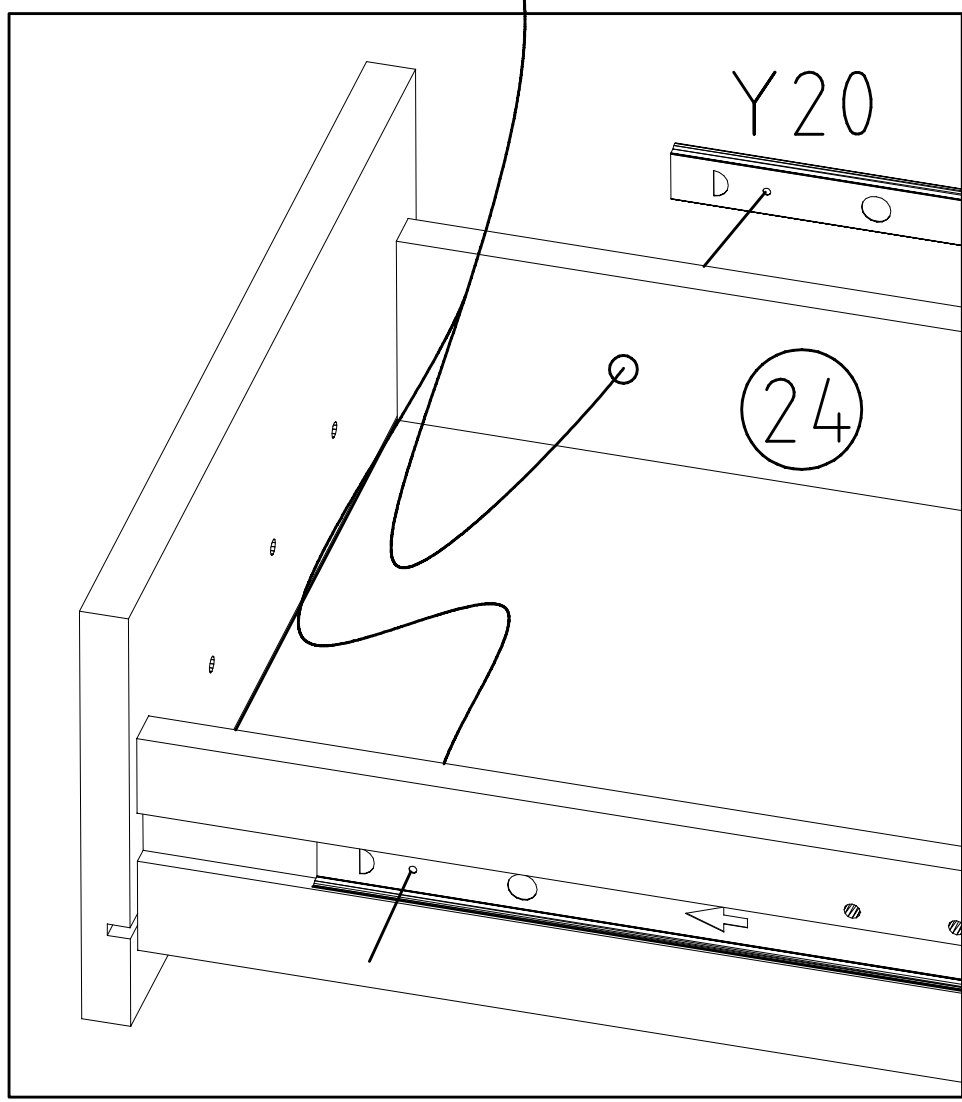
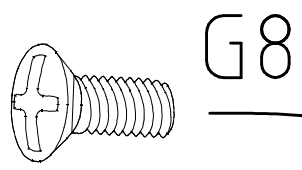
33

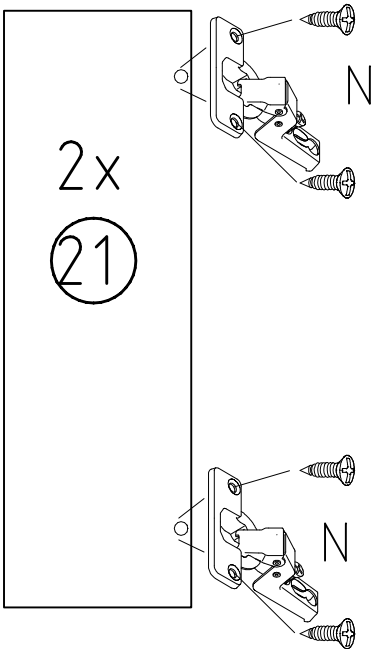
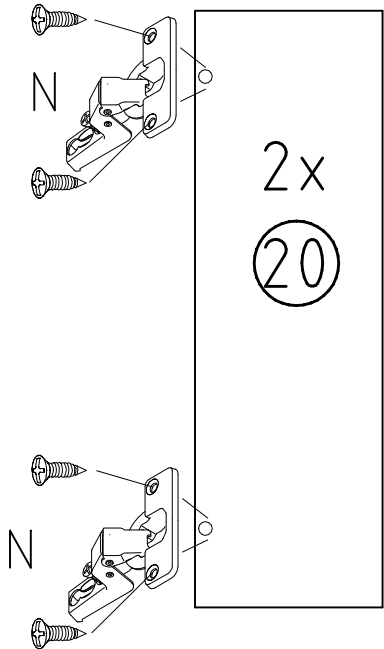
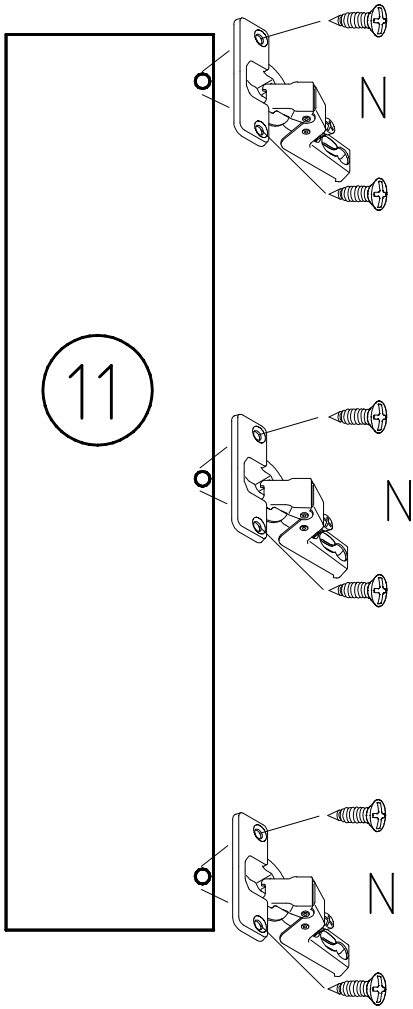
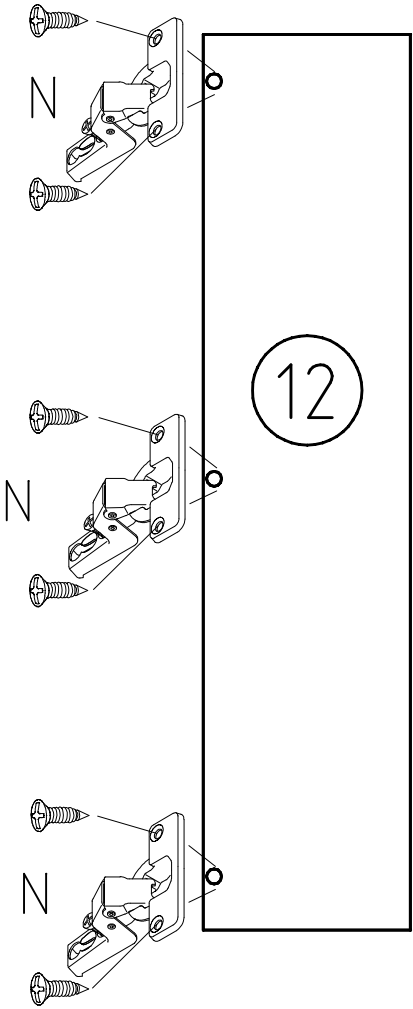
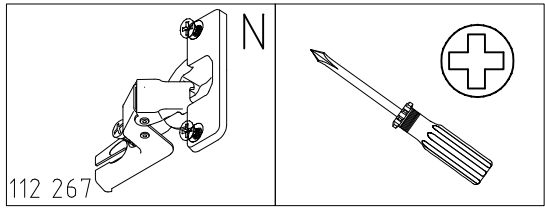
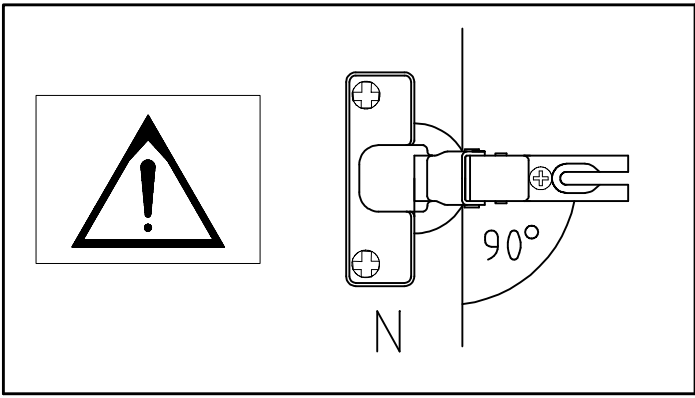


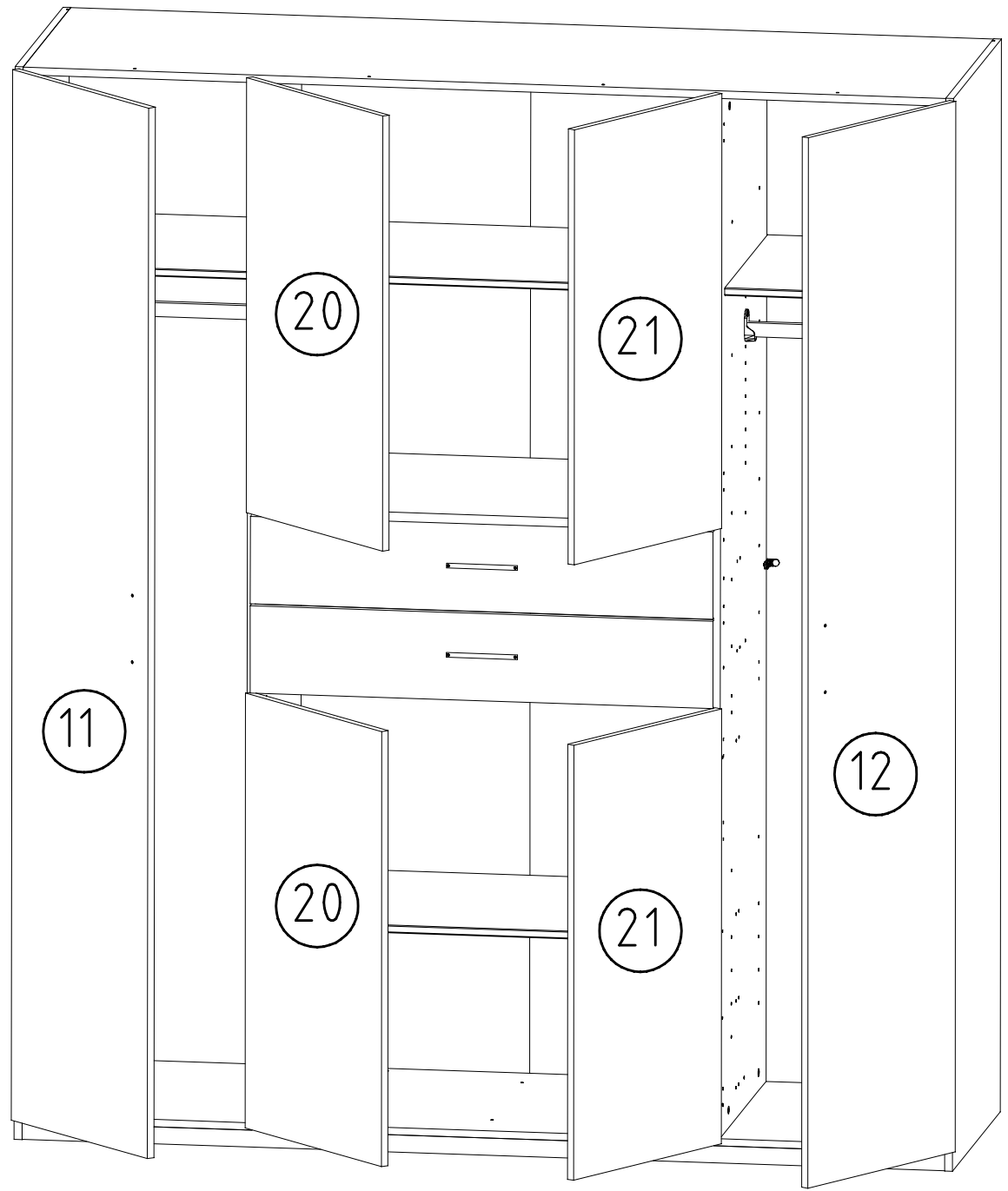
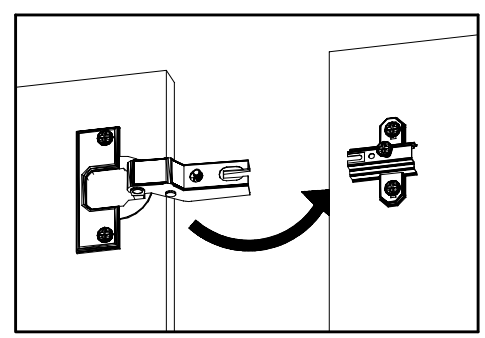
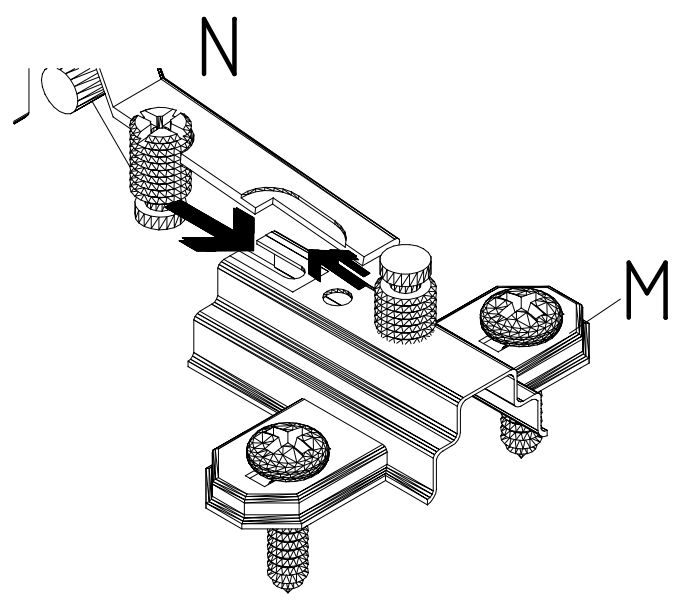
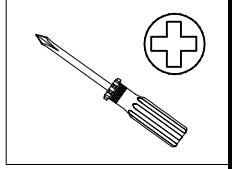
M4 x 9 mm G8
111 015



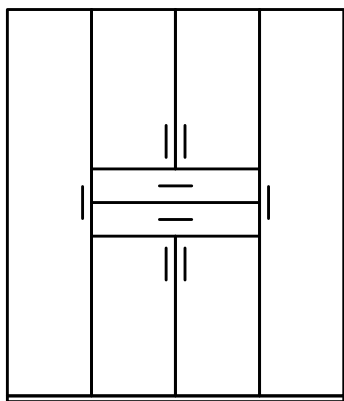
2x



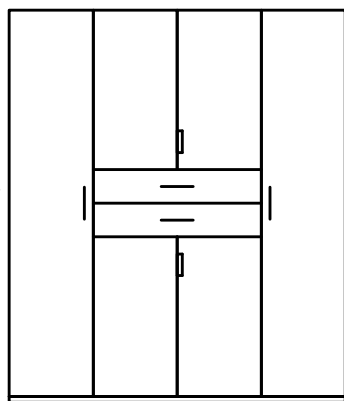
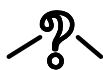




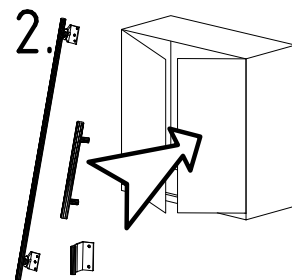
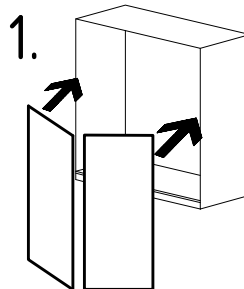
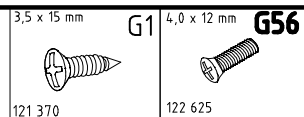
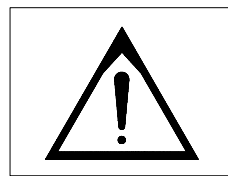
25



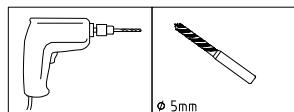
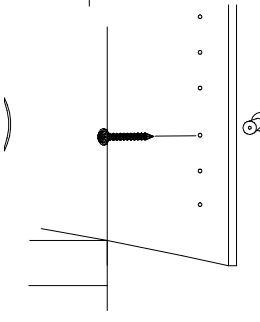
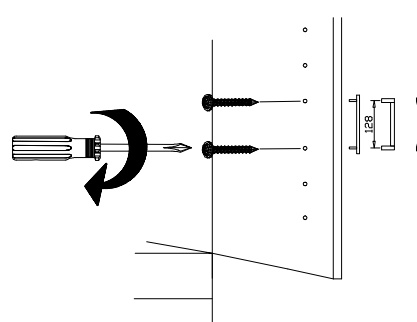
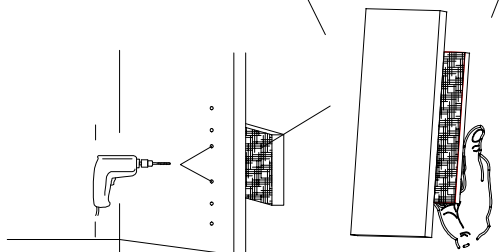
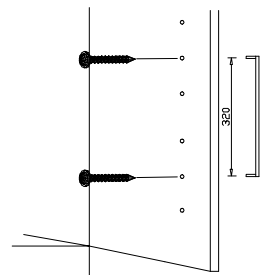
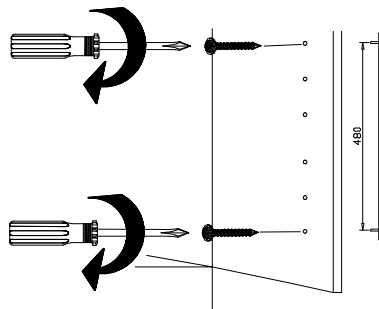
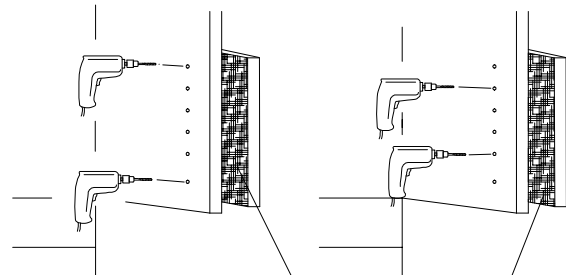
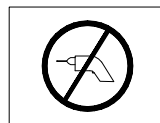
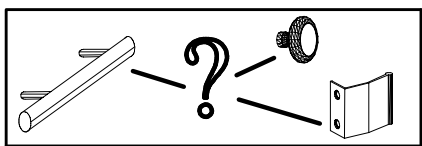
A



B



25A



25B

