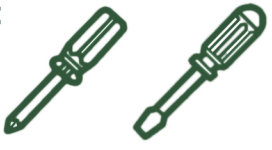


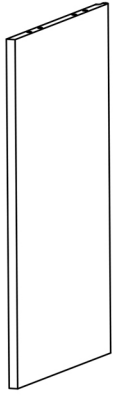
TOOLS:



1



2



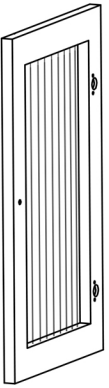
3



4



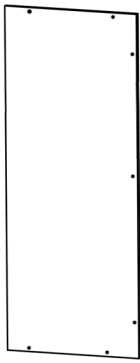
5
×
2



6



7
×
2



8



9
×
2



UNIT:MM

A
×
8



M6*35

B
×
8



φ 15*10

C
×
16



φ 6*30

D
×
4



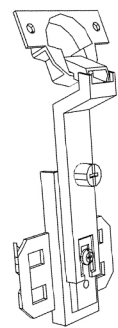
M4*30

F
×
24



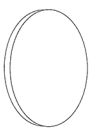
M3.5*12

G
×
4



UNIT:MM

H
×
2

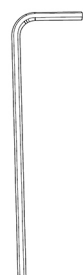


J
×
8



M6*12

K



M4

N
×
2



φ 20*25

O
×
2

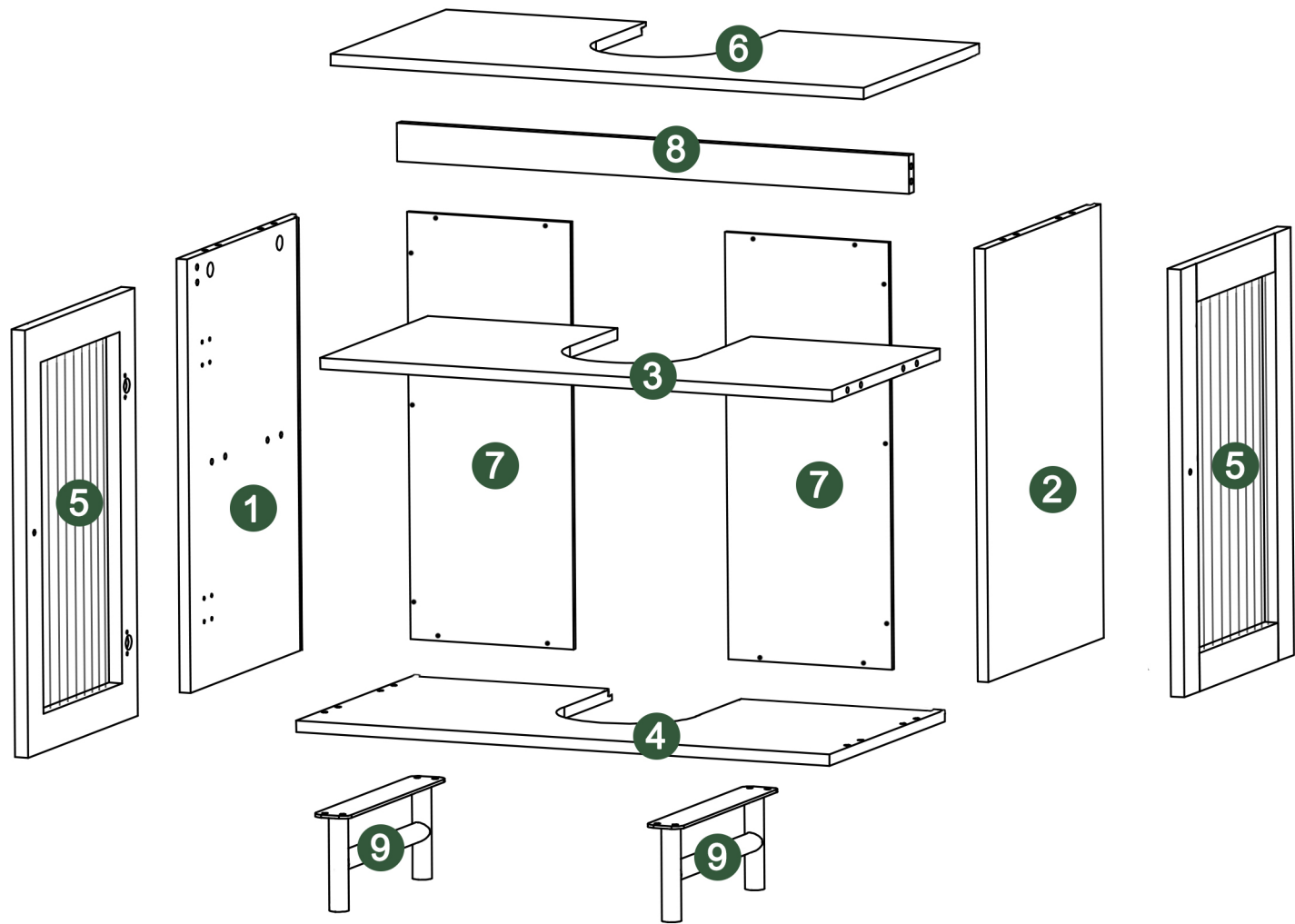


M4*16

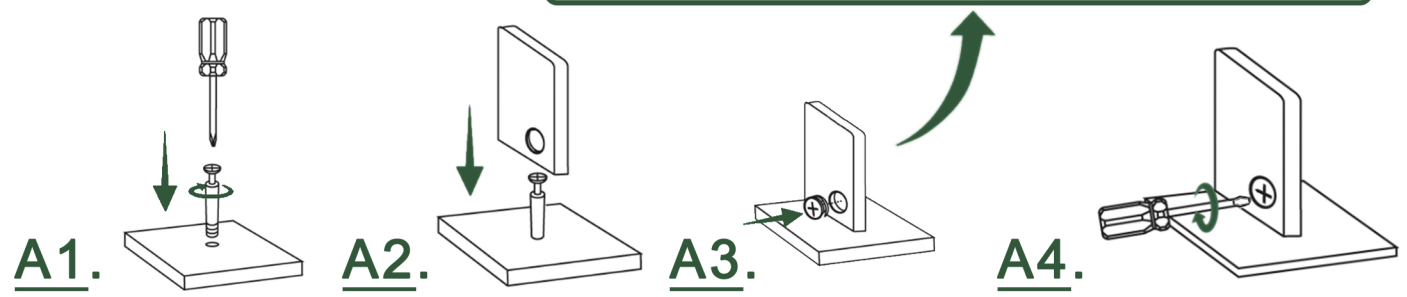
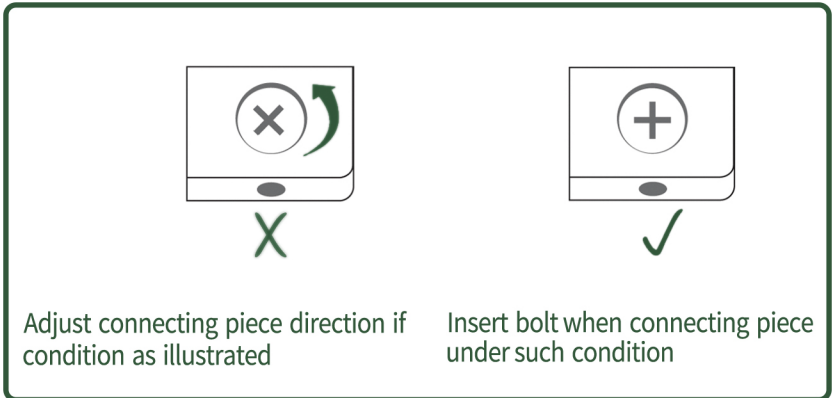
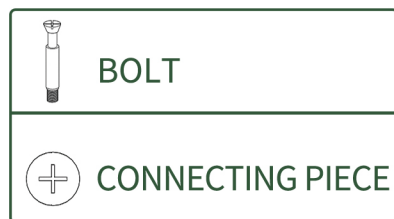
P
×
14



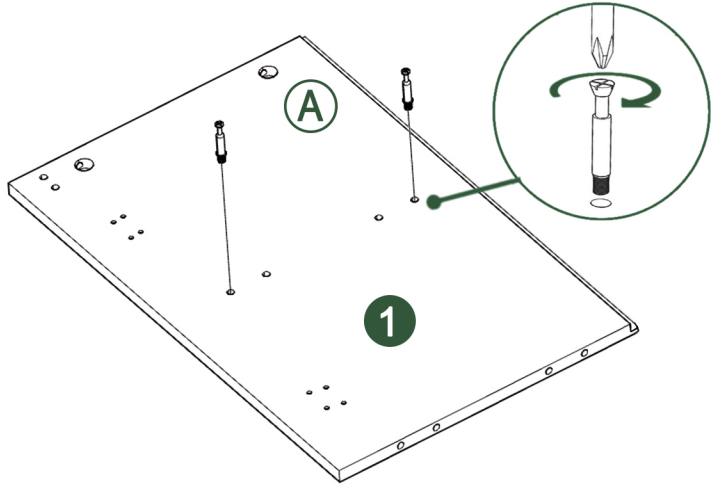
M2.5*10



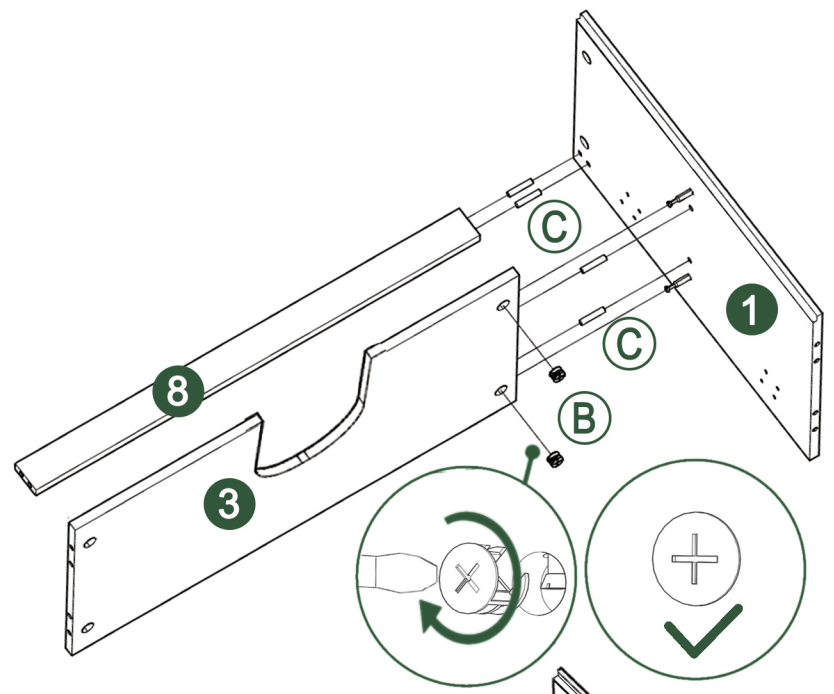
BOLT INSTALLATION AS BELOW:



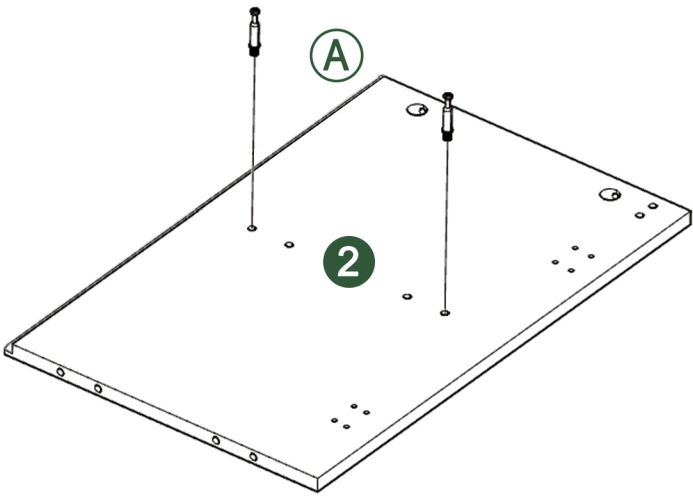
1.



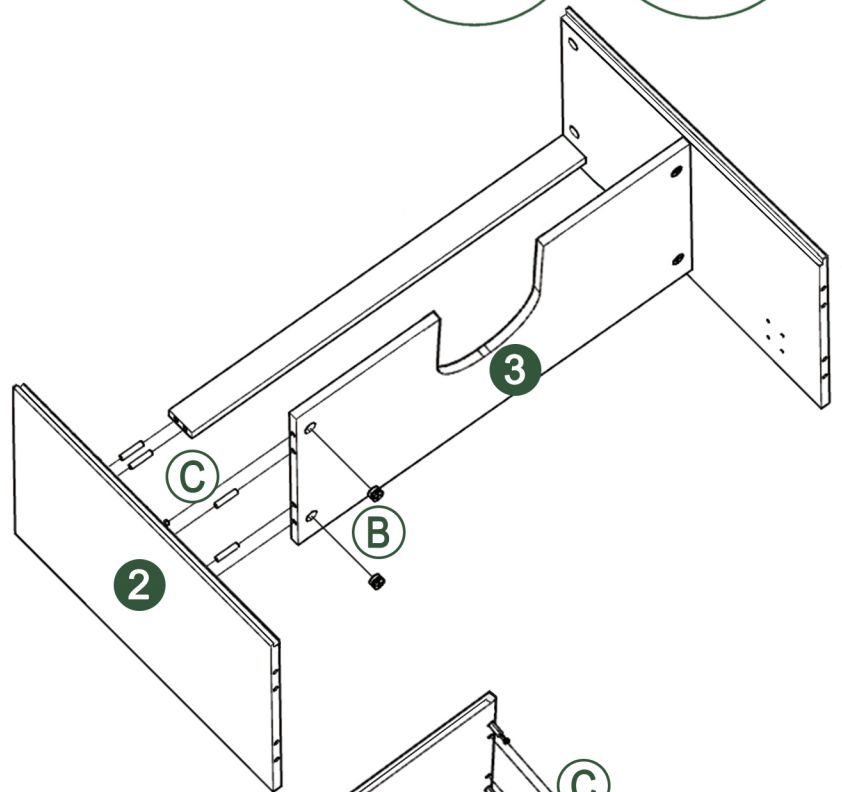
2.



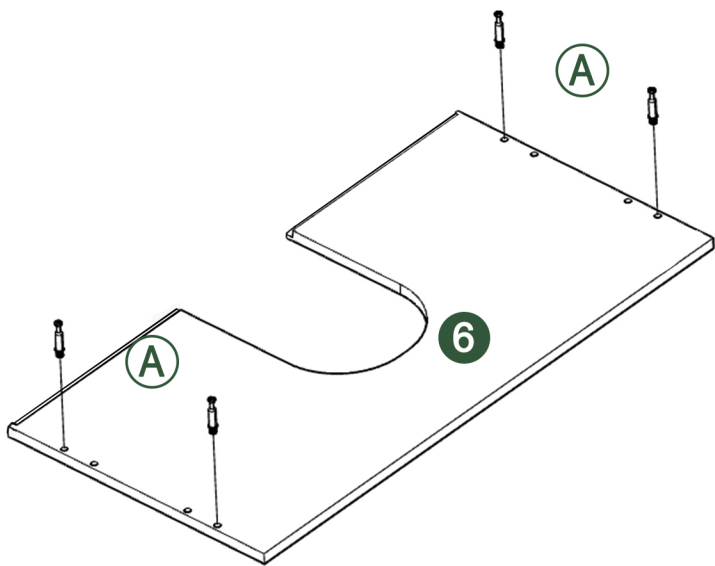
3.



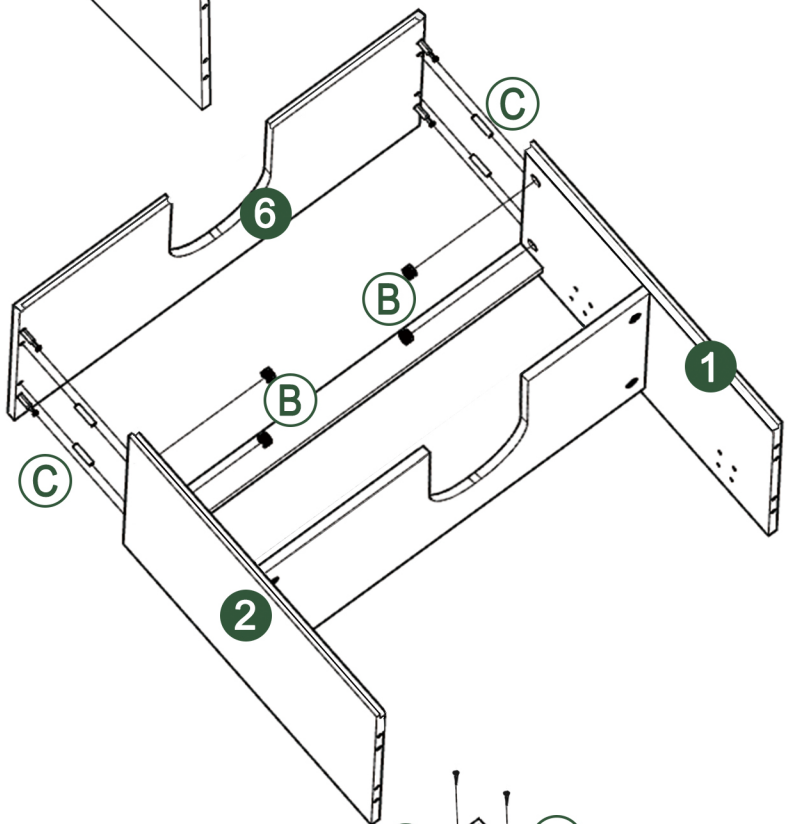
4.



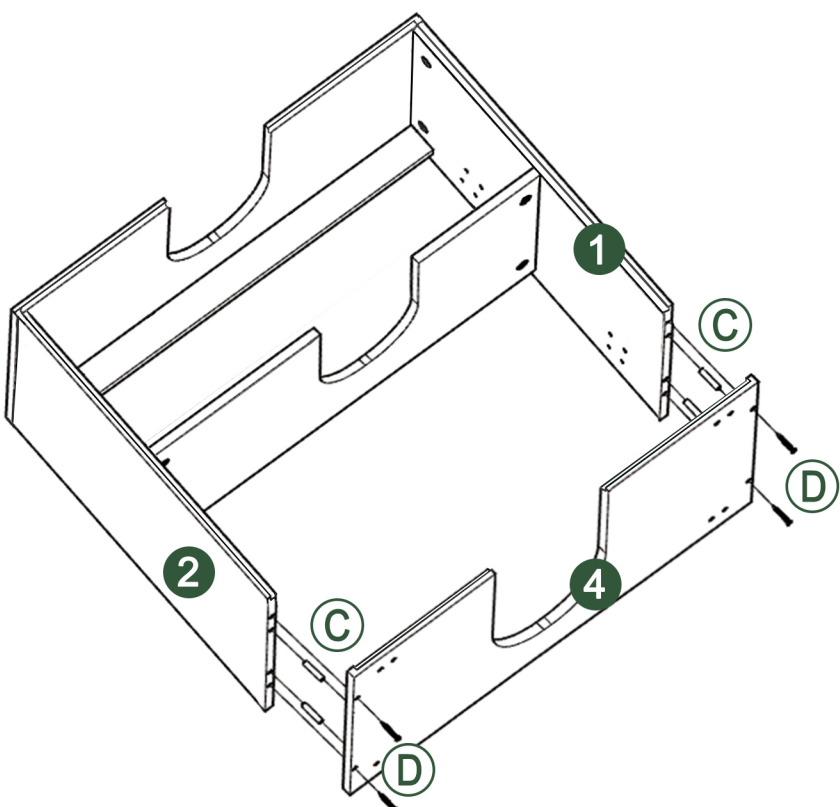
5.



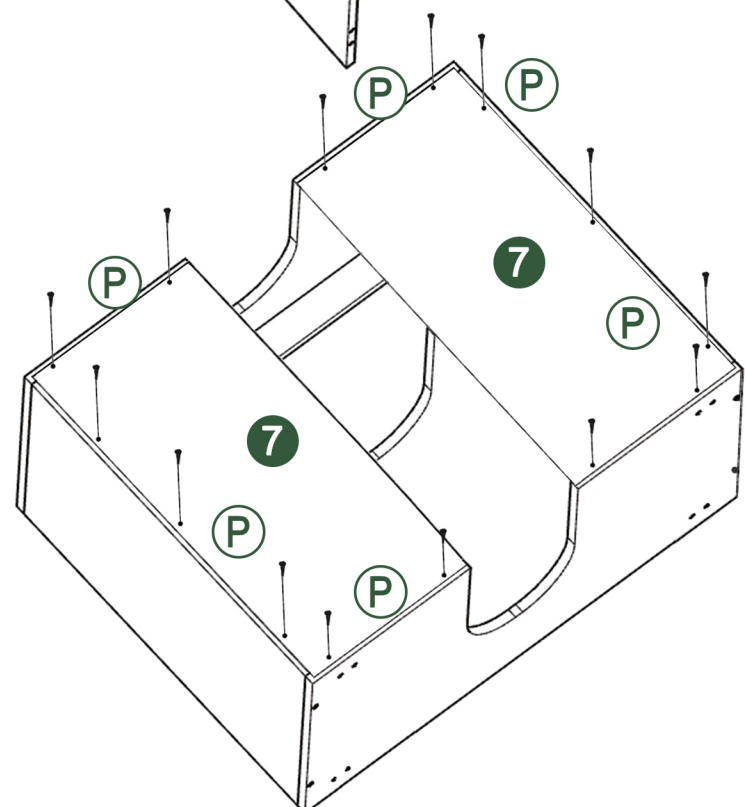
6.



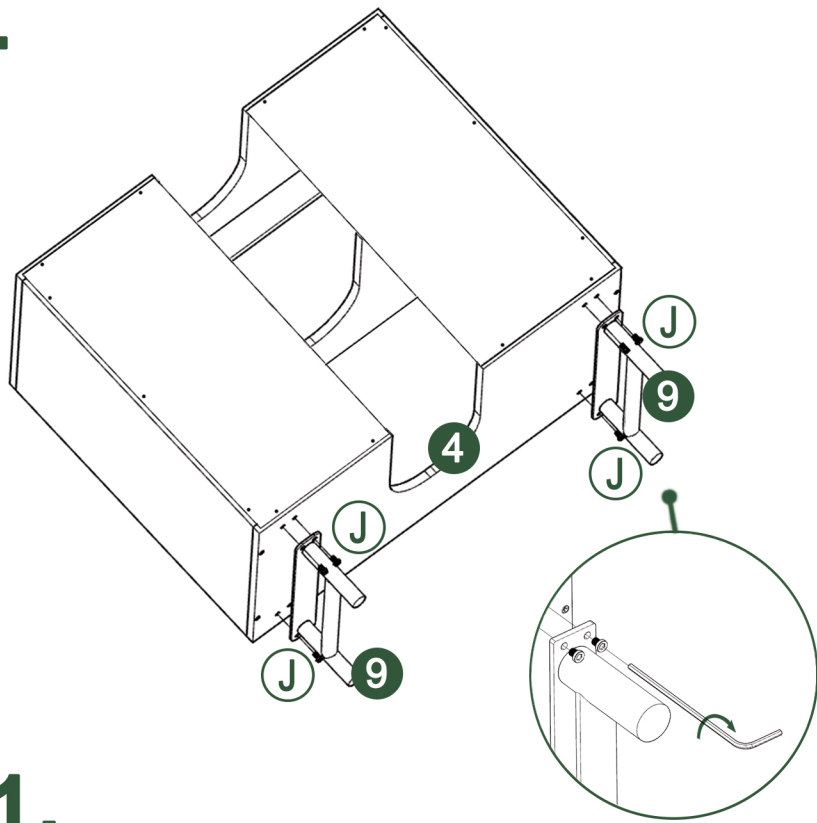
7.



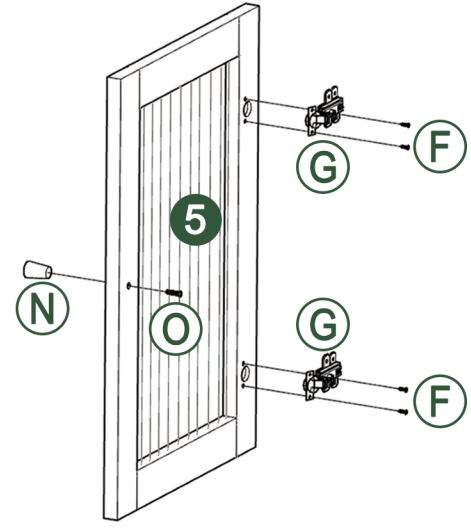
8.



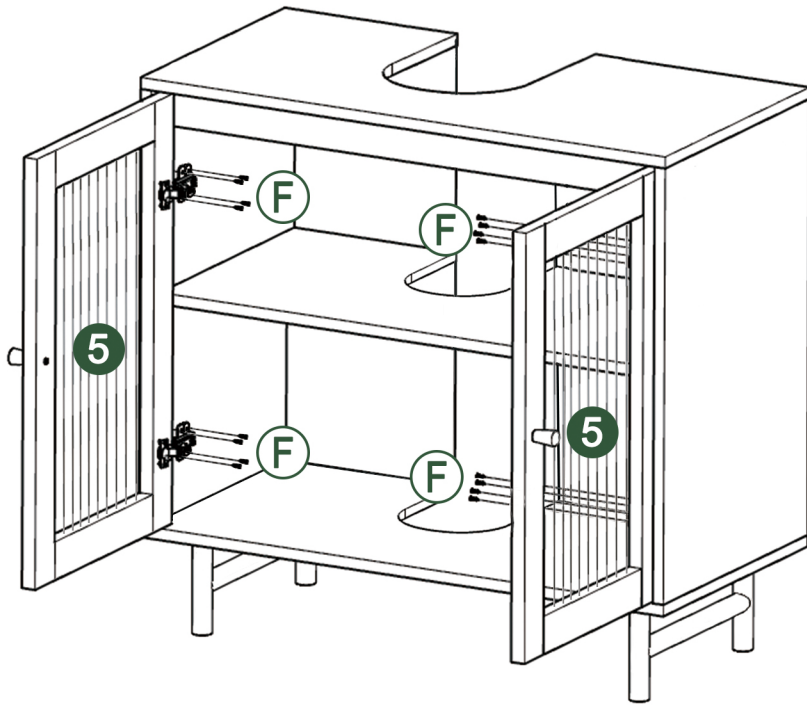
9.



10(X2).



11.



12.

