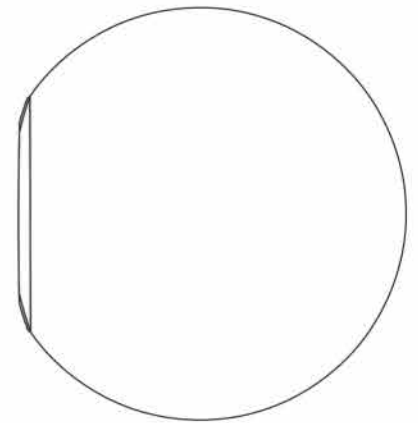
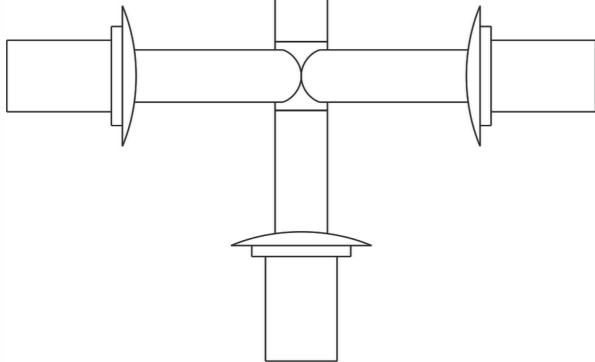
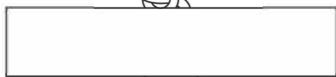
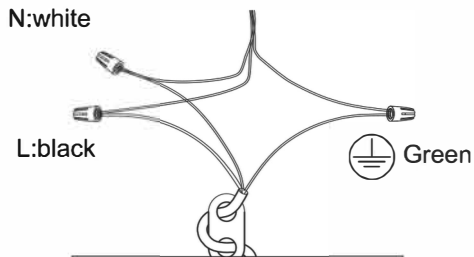
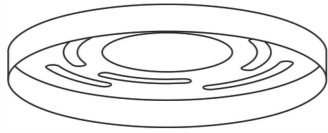


Multi-Light Flush Mount Instruction



4*E12 Max 40W
Not included

Multi-Light Flush Mount Instruction

Safety Warning

Please turn off power at breaker panel before installation.

Installation Steps

- **Step 1: Attach the Mounting Bracket**

Attach the circular mounting bracket to the ceiling junction box using the provided screws. Ensure it's firmly secured to the ceiling.

- **Step 2: Wire Connections**

Make the proper electrical connections. Connect black wire (hot) to black, white wire (neutral) to white, and green wire (ground) to ground/bare copper wire.

- **Step 3: Secure the Canopy**

Secure the fixture canopy to the mounting bracket by aligning it with the bracket and tightening the decorative nuts or screws as indicated by the arrow.

- **Step 4: Install the E12 Bulbs**

Insert three E12 light bulbs (Max 40W, not included) into the sockets by screwing them in clockwise until secure.

- **Step 5: Attach the Glass Globes**

Attach all three glass globes to the fixture by screwing them onto the threaded sockets. Turn each globe clockwise until securely fastened.

Final Check

Once installation is complete and all three globes are properly attached, restore power at the breaker panel and test the light fixture.

Please contact us if you have any problems installing the lampshade. We will work you through the process.