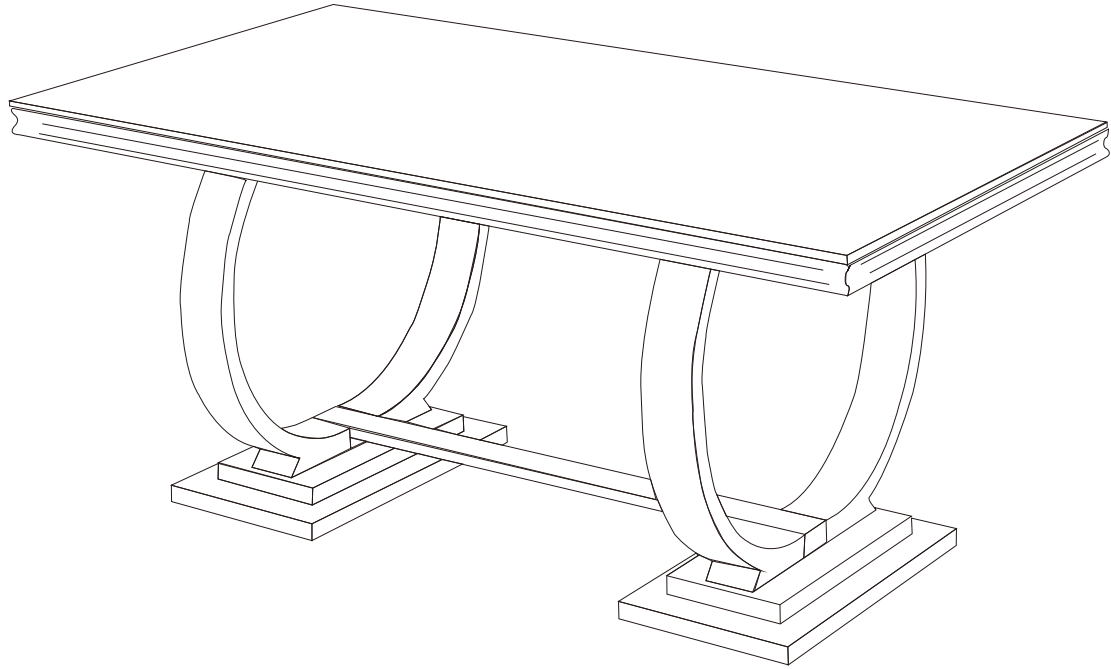












Assembly Instructions



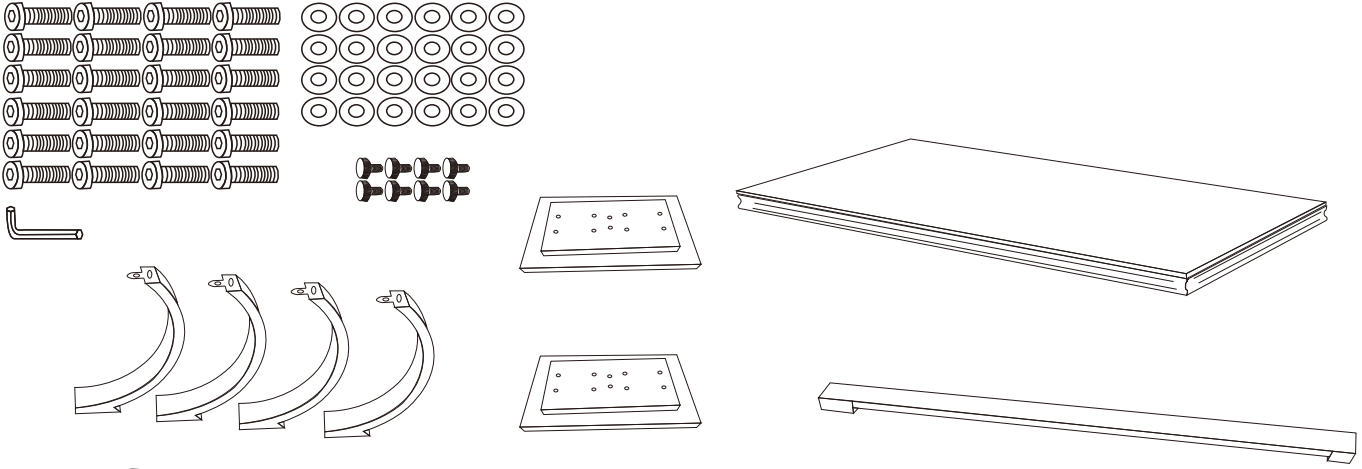
CAUTION:

Pls follow up the AI,when assemble the table leave your child away
Parts List

HARDWARE		
CODE	DESCRIPTION	QTY
A	SOCKET CAP SCREW	 M8*50MM 20
B	SCREW	 M8*12MM 4
C	FLAT WASHER	 8*18MM 24
D	ALLEN KEY	 6MM 1
E	ALLEN KEY	 5MM 1
F	ADJUSTING FOOT	 8
HARDWARE		
CODE	DESCRIPTION	QTY
1	Table top+Frame	 1
2	Legs	 4
3	Bass Plate	 1
4	Bass Plate	 1

Assembly Preparation

Before Beginning Assembly



- Read instructions, cover to cover-



- Have 2 adults on hand for assembly-



- Do not assemble on flooring or carpet-

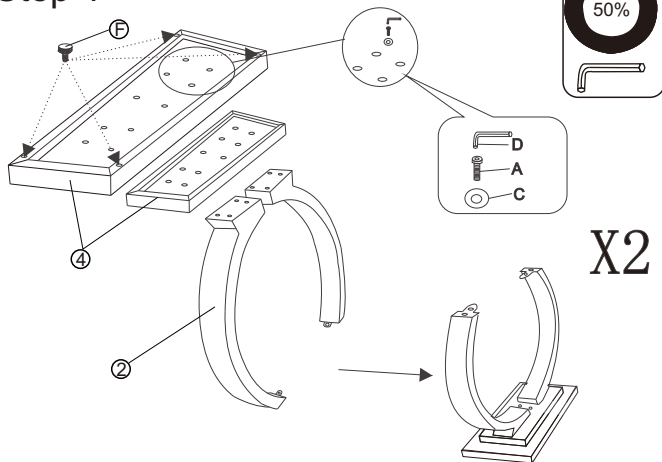


- Assemble on a clean non-marring surface (packing foam)-



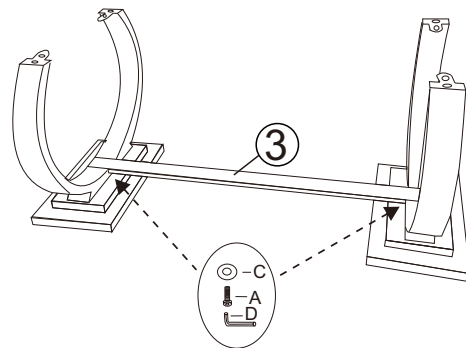
- Save all packaging until finished-

Step 1



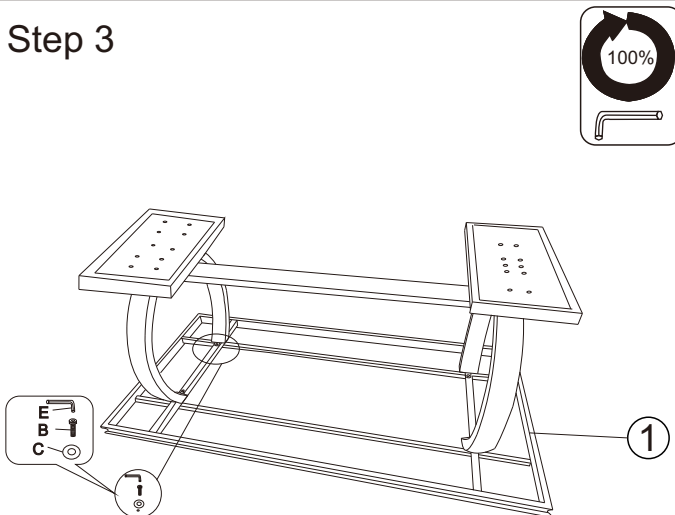
Install adjusting feet and legs

Step 2



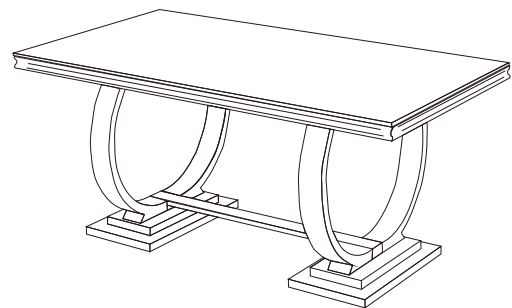
Assemble the base and tighten the screws

Step 3



Install Top Frame

Step 4



To accomplish