




ASSEMBLY INSTRUCTIONS

3 DRAWERS CABINET

ASSEMBLY REQUIREMENTS	1.5 Hours Assembly Time (Approximate)	2 -Person Assembly 	Tools Required (Not Provided): Phillips Screwdriver  Flat Head Screwdriver 
-----------------------	---	---	---

Thank you for purchasing our product!

Please refer and use this assembly instruction to assemble the product.
Contact our customer service department in case there are any missing or damaged parts or hardware.
Replacement parts are normally shipped within 2 or 3 days.

PRODUCTS PURCHASED THROUGH OUR AUTHORIZED VENDORS ONLY ARE ELIGIBLE FOR REPLACEMENT PARTS.

THIS PRODUCT IS FOR INDOOR AND HOUSEHOLD USE ONLY - NOT FOR COMMERCIAL USE.

ASSEMBLY PREPARATION

1. Remove all packaging materials, staples and packing straps from the carton.
2. Refer to Parts List and Hardware List and ensure they are correct before assembly.
Contact customer service for missing parts.
3. Place all wooden parts on a clean, flat and soft surface (e.g. carpet or rug) to prevent parts from getting scratched.

SAFETY PRECAUTION

1. KEEP ALL HARDWARE PARTS OUT OF REACH OF CHILDREN.
2. DISPOSE PLASTIC PACKAGING MATERIAL IMMEDIATELY TO AVOID ANY RISK OF SUFFOCATION TO CHILDREN AND ANIMALS.

TIPS FOR ASSEMBLY

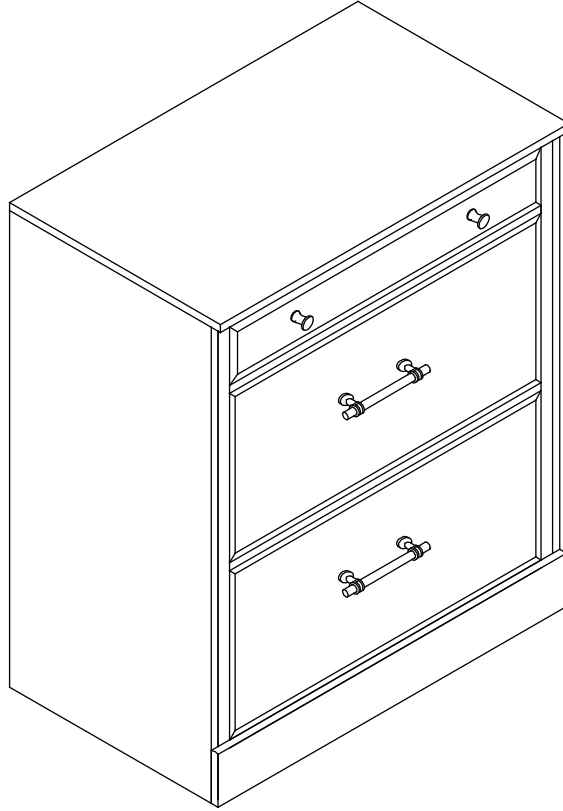
1. Allow ample room for assembly and in close proximity to where product will be placed.
2. Assemble the product on a surface that does not scratch or damage the exterior gloss and finish of the furniture.
3. Identify all of the parts, hardware and quantities required for each step.
4. During assembly, do not over-tighten any fittings as this may cause damage.
5. DO NOT USE POWER TOOLS TO ASSEMBLE THIS PRODUCT.
6. Always place the product on a flat, level surface.
7. Do not sit or stand on the partially assembled product; only use the product for which it is intended.

CARE AND MAINTENANCE


1. Wipe clean with a soft, dry cloth; avoid the use of harsh chemicals or household cleaners as they may damage the exterior finish of the furniture.
2. Hardware may loosen over time. Periodically, check that all connections are tight; re-tighten as necessary.
3. Solid wood is impacted by heat and humidity fluctuations which may cause small joint separations or hairline cracks; place the furniture away from direct sunlight and air conditioning vents, heating vents or units to protect the furniture.

ASSEMBLY INSTRUCTIONS

3 DRAWERS CABINET



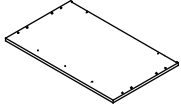

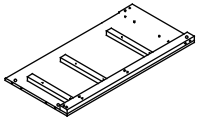

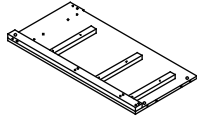

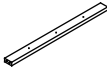
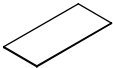

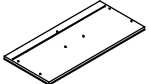
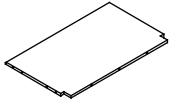
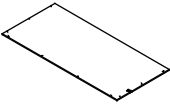

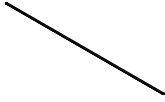
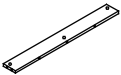
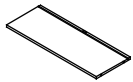
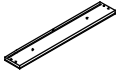



Hardware List

ITEM	DESCRIPTION	PART	QTY	ITEM	DESCRIPTION	PART	QTY
A	Cam-bolt	 6*35mm	35 pcs	H	Knob		2 pcs
B	Cam-lock	 15*10mm	35 pcs	I	Handle		2 pcs
C	Wood Dowel	 8*30mm	22 pcs	J	Bolt	 4*18mm	6 pcs
D	Screw	 2.5*10mm	20 pcs	K	Drawer Glide	 300mm	6 pcs
E	Screw	 4*12mm	2 pcs	L	Screw	 3.5*40mm	2 pcs
F	Screw	 3*12mm	30 pcs	M	Bracket		2 pcs
G	Screw	 4*30mm	21 pcs	N	Plastic Anchor		2 pcs

ASSEMBLY INSTRUCTIONS

3 DRAWERS CABINET

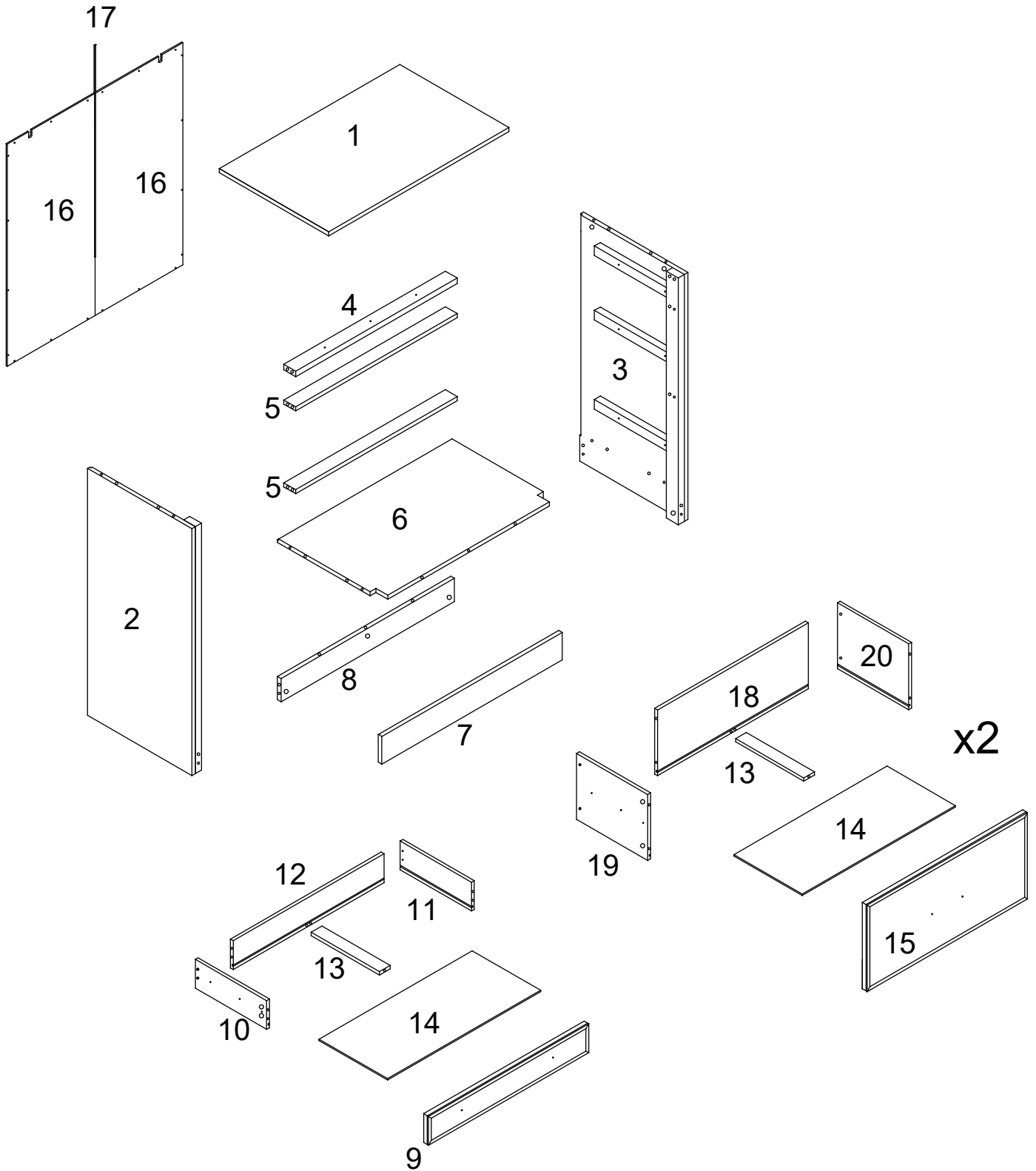
Parts List

ITEM	DESCRIPTION	PART	QTY	ITEM	DESCRIPTION	PART	QTY
1	Top Panel		1 pc	11	Small Drawer Right Panel		1 pc
2	Left Panel		1 pc	12	Small Drawer Back Panel		1 pc
3	Right Panel		1 pc	13	Drawer Bottom Connect Bar		3 pcs
4	Top Connect Bar		1 pc	14	Drawer Bottom Panel		3 pcs
5	Connect Bar		2 pcs	15	Large Drawer Front Panel		2 pcs
6	Bottom Panel		1 pc	16	Back Panel		2 pcs
7	Lower Front Panel		1 pc	17	Back Panel Connect Bar		1 pc
8	Lower Back Panel		1 pc	18	Large Drawer Back Panel		2 pcs
9	Small Drawer Front Panel		1 pc	19	Large Drawer Left Panel		2 pcs
10	Small Drawer Left Panel		1 pc	20	Large Drawer Right Panel		2 pcs

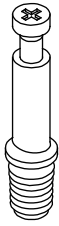
ASSEMBLY INSTRUCTIONS

3 DRAWERS CABINET

ASSEMBLY OVERVIEW



INSTRUCTIONS FOR CAM-BOLT AND CAM-LOCK

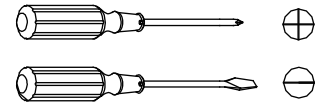


CAM-BOLT

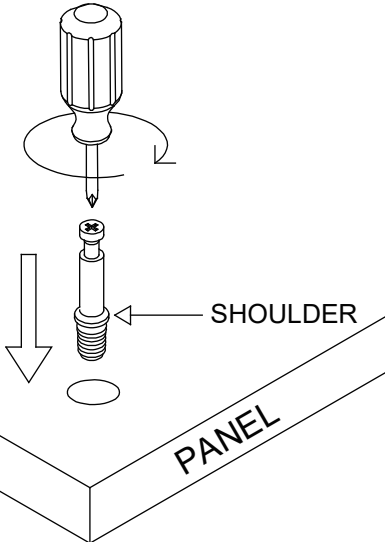


CAM-LOCK

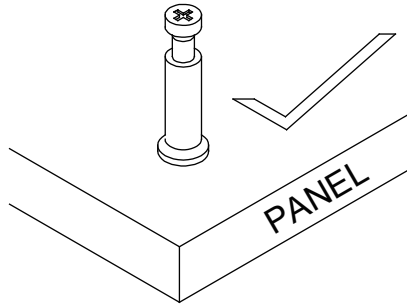
Tools Required



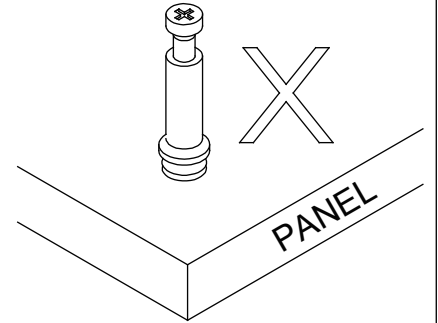
INSERTING AND TIGHTENING CAM-BOLT



Place Cam-bolt on pre-drilled hole and screw in vertically.



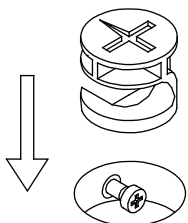
Shoulder is flushed (on the same level) with the panel.



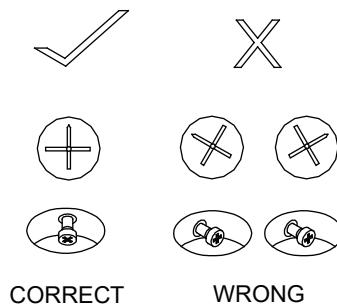
Shoulder is above the panel.

Place Cam-bolt to the designated pre-drilled holes on the panel. Use a Phillips Screwdriver to tighten Cam-bolt vertically until shoulder is flushed (on the same level) with panel. Do not over-tighten or under-tighten.

INSERTING CAM-LOCK



Insert Cam-lock with arrow align to Cam-bolt head.

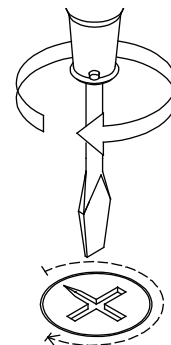


CORRECT

WRONG

Align the arrow on the Cam-lock to the Cam-bolt head and insert the Cam-lock. Ensure Cam-lock is fully inserted.

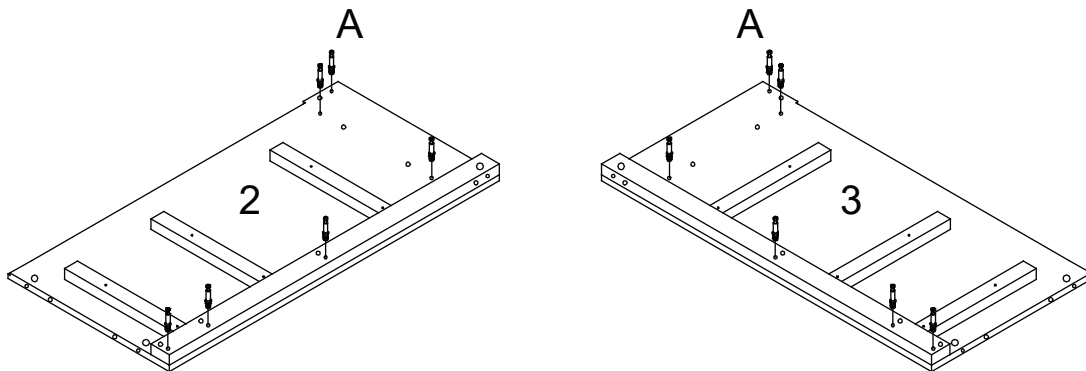
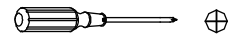
TIGHTENING CAM-LOCK



Use a Flat-head Screwdriver to turn Cam-lock clockwise so it locks onto the head of the Cam-bolt. Turn until it is snug (about 3/4ths of a turn) -- over-tightening could damage Cam-lock or/and Cam-bolt.

STEP 1

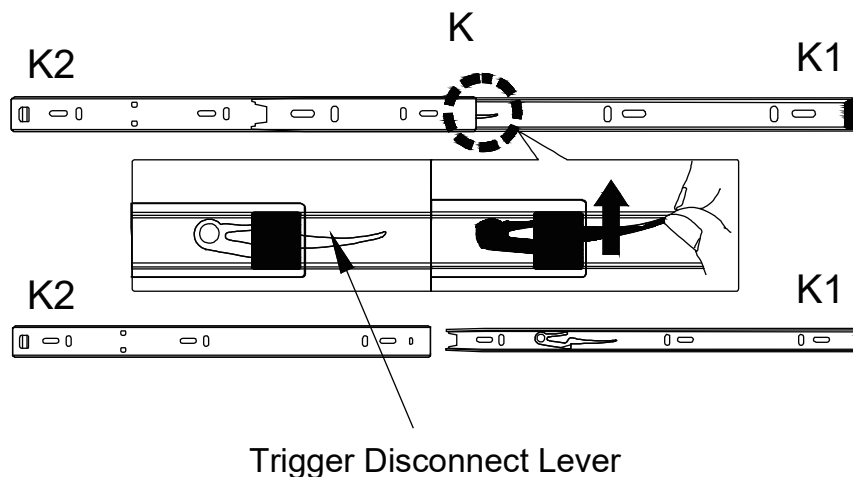
A		12 pcs
---	--	--------



- Lay Left Panel (2) and Right Panel (3) as shown on a material that does not scratch or damage the panels.
- Screw in Cam-bolt (A) into the designated holes on (2 & 3). Refer to Page 5 for instructions on inserting and tightening Cam-bolt.

STEP 2



K		6 pcs
---	---	-------

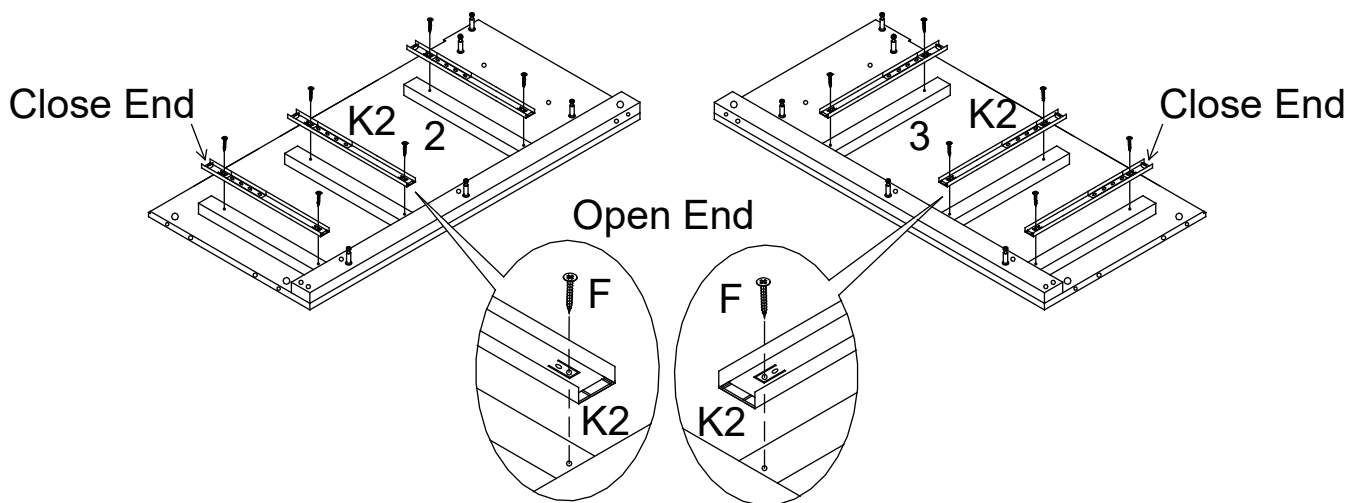


To install Drawer Glide (K), the Glide Runner (K1) needs to be detached or separated from the Glide Track (K2).

Detach Glide Runner (K1) from Glide Track (K2) by sliding out (K1) from (K2) until the Trigger Disconnect Lever is visible on (K1) as shown above. Next, depress the Trigger Disconnect Lever and at the same time slide out (K1) from (K2).




STEP 3

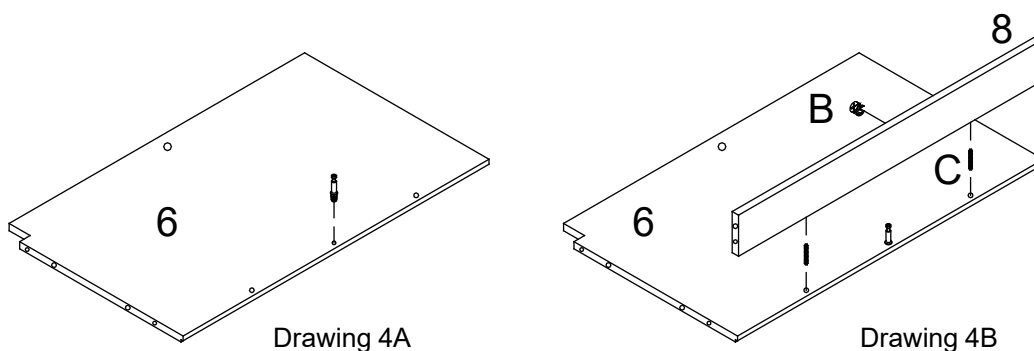
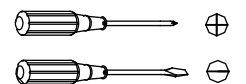
F	 3x12mm	12 pcs
K2		6 pcs



- Position Glide Track (K2) as shown. Note the orientation of (K2) with the respect to the open-end of (K2) which faces the front edge of (2 & 3).
- Align screw holes on Glide Track (K2) to pilot holes on (2 & 3), and use Screw (F) to fasten (K2).
Do not tighten (F) completely until all of the screws are in place.

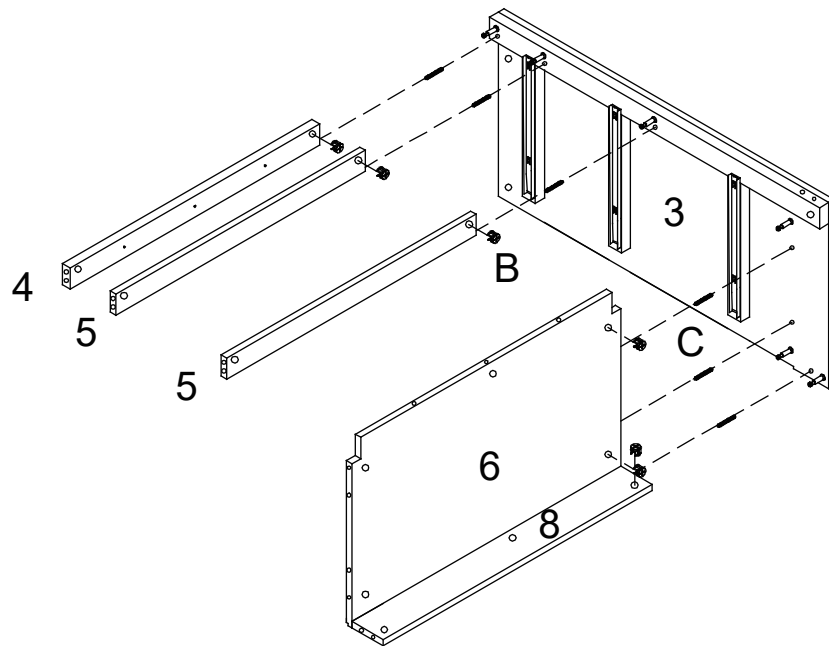
STEP 4



A		1 pc
B		1 pc
C		2 pcs



- Refer to Drawing 4A - Lay Bottom Panel (6) as shown on a material that does not scratch or damage the panel.
- Screw in Cam-bolt (A) into the designated hole on (6).
- Refer to Drawing 4B - Insert Wood Dowel (C) into the outer two holes on (6) as shown .
- Attach Lower Back Panel (8) to (6) via wood dowel and cam-bolt on (6).
- Insert Cam-lock (B) into the middle hole on (8) then turn clockwise to lock onto Cam-bolt.

STEP 5

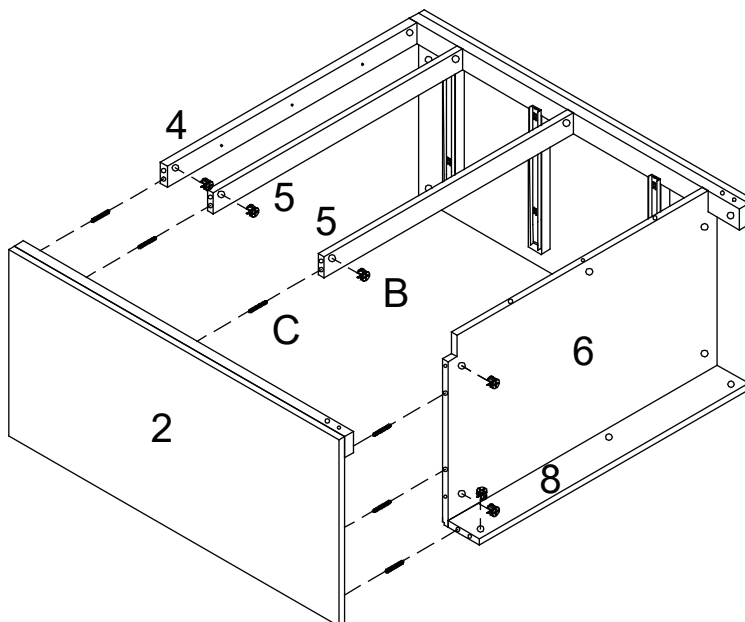




B		6 pcs
C		6 pcs

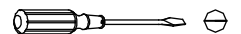


- Insert Wood Dowel (C) into the hole at the end of Connect Bar (4 & 5), Bottom Panel (6) and Lower Back Panel (8) as shown.
- Attach (4, 5, 6 & 8) to Right Panel (3) via wood dowel and cam-bolt on (3).
- Insert Cam-lock (B) into the holes on (4, 5, 6, & 8) then turn clockwise to lock onto Cam-bolt.

STEP 6

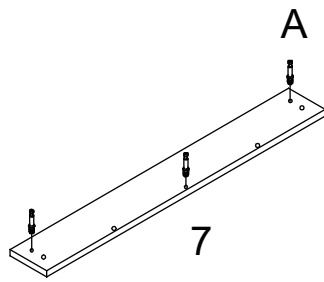


B		6 pcs
C		6 pcs

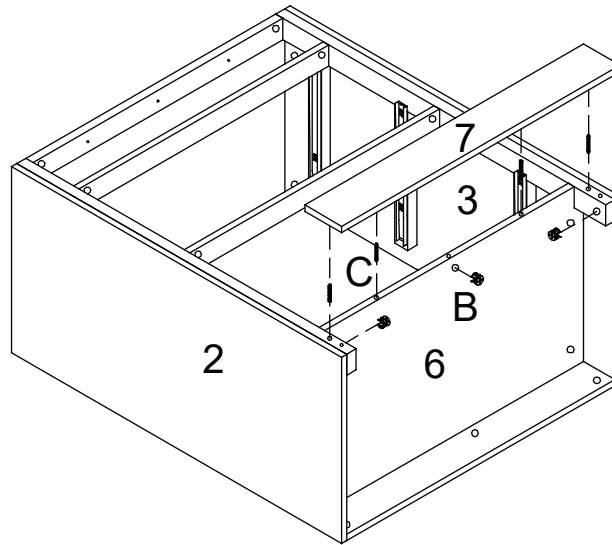


- Insert Wood Dowel (C) into the hole at the open end of Connect Bar (4 & 5), Bottom Panel (6) and Lower Back Panel (8) as shown.
- Attach Left Panel (2) to (4, 5, 6, & 8) via wood dowel and cam-bolt on (2).
- Insert Cam-lock (B) into the holes on (4, 5, 6, & 8) then turn clockwise to lock onto Cam-bolt.

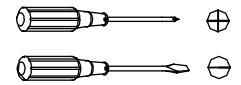
STEP 7



Drawing 7A

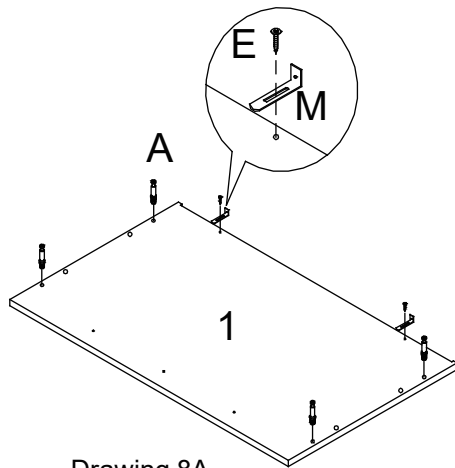


A		3 pcs
B		3 pcs
C		4 pcs

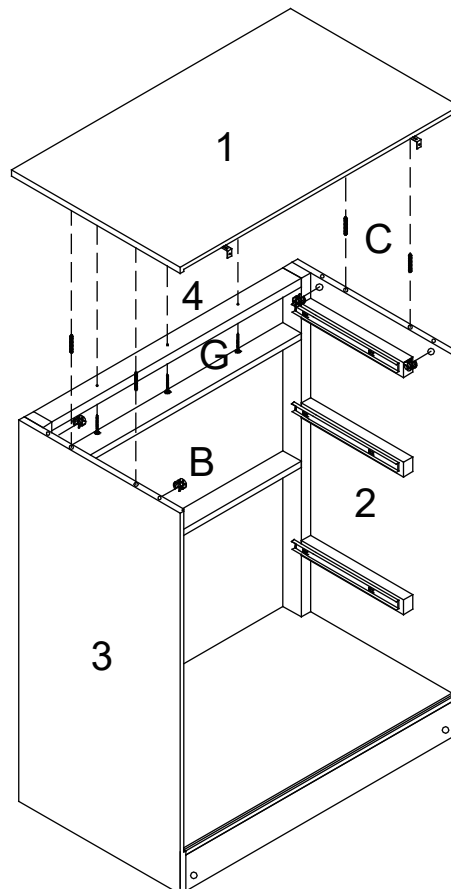


- Refer to Drawing 7A - Lay Lower Front Panel (7) as shown on a material that does not scratch or damage the panel.
- Screw in Cam-bolt (A) into the designated holes on (7).
- Insert Wood Dowel (C) into the designated hole on Left Panel (2), Right Panel (3) and Bottom Panel (6) as shown .
- Attach (7) to (2, 3 & 6) via wood dowel and cam-bolt on (7).
- Insert Cam-lock (B) into the holes on (2, 3 & 6) then turn clockwise to lock onto Cam-bolt.

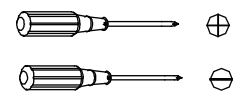
STEP 8



Drawing 8A



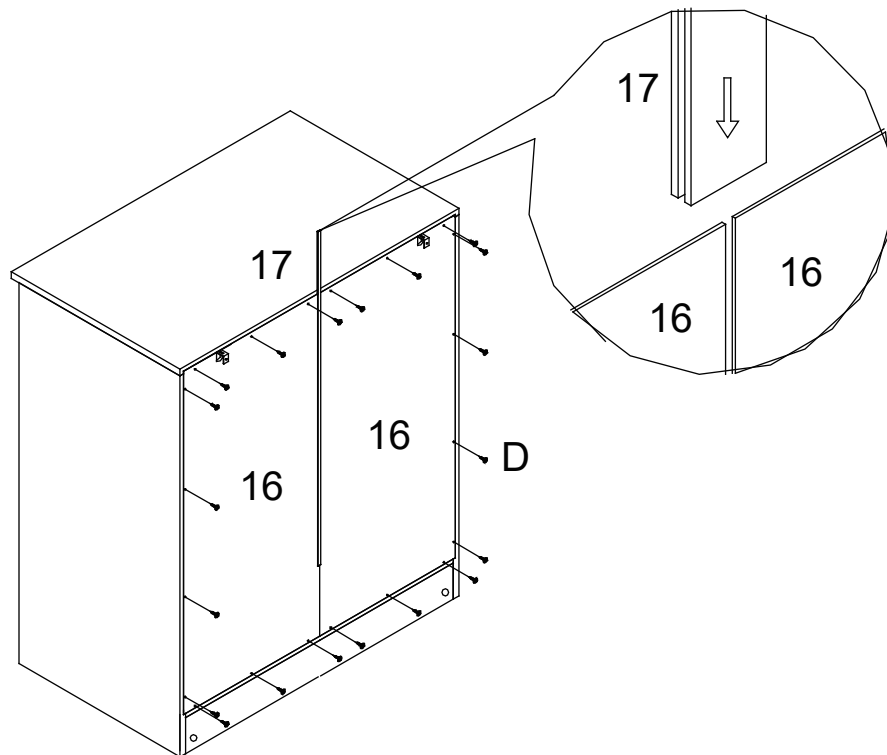
A		4 pcs
B		4 pcs
C		4 pcs
E	 4x12mm	2 pcs
G	 4x30mm	3 pcs
M		2 pcs



- Refer to Drawing 8A - Lay Top Panel (1) as shown on a material that does not scratch or damage the panel.
- Attach Bracket (M) to (1) with Screw (E). Ensure that the bracket can slide.
- Insert Wood Dowel (C) into the inner two holes on end of Left Panel (2) and Right Panel (3) as shown .
- Attach (1) to (2 & 3) via wood dowel and cam-bolt on (1).
- Insert Cam-lock (B) into the holes on (2 & 3) then turn clockwise to lock onto Cam-bolt.
- Fasten (1) to Top Connect Bar (4) with Screw (G).

STEP 9

D		20 pcs
2.5x10mm		



- Use Back Connect Bar (17) to join the two pieces of Back Panel (16) to form a single panel.
- Fit the joined one-piece Back Panel (16) squarely to the back of unit.
- Fasten (16) with Screw (D) at each pilot hole location as indicated.

STEP 10

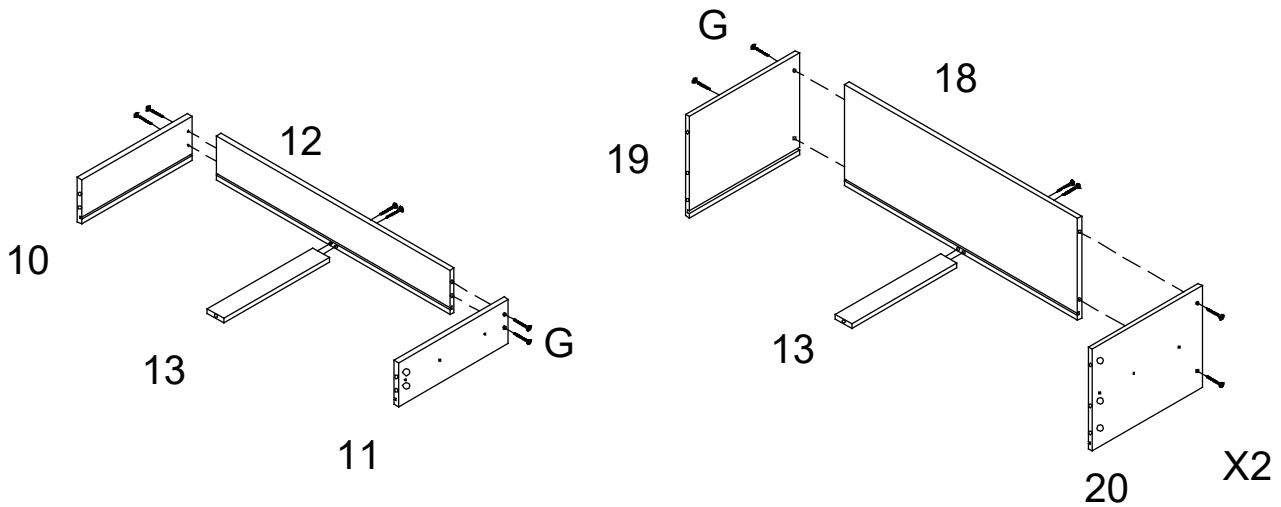
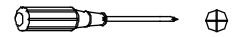
A		15 pcs
---	---	--------



- Lay Drawer Front Panel (9 & 15) as shown on a material that does not scratch the surface of each part.
- Screw in Cam-bolt (A) into the designated holes on (9 & 15).

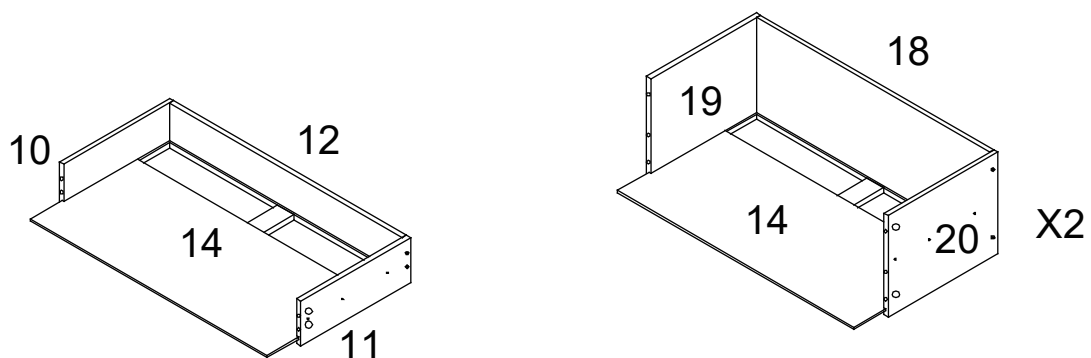
STEP 11

G	 4x30mm	18 pcs
---	--	--------



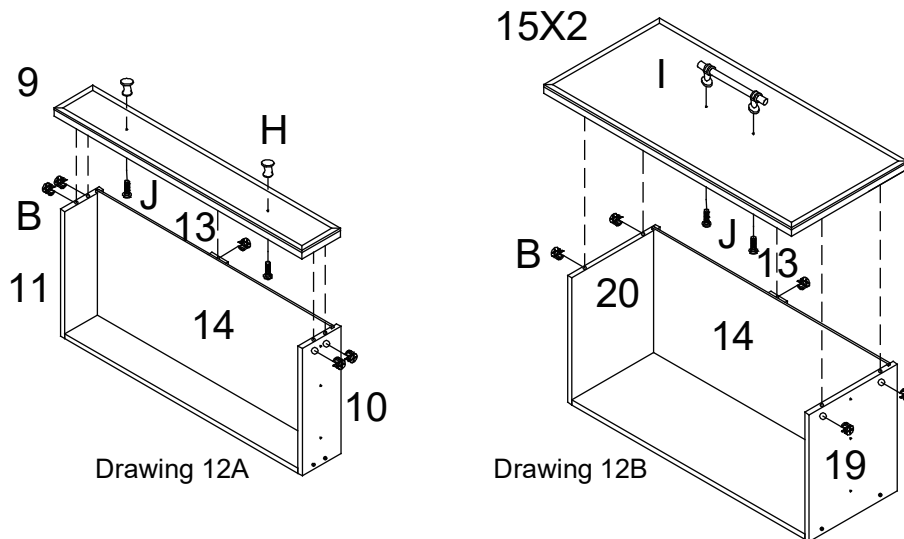
- a) Position Drawer Back Panel (12 & 18) between Drawer Left and Right Panel (10 & 11 and 19 & 20) as shown - ensure the groove on each part is aligned - then fasten (10 & 11 and 19 & 20) to the drawer back panel with Screw (G).
b) Attach Drawer Bottom Connect Bar (13) to (12 & 18) with Screw (G).

STEP 12

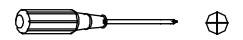


Fit Drawer Bottom Panel (14) via groove on (10, 11 & 12 and 18, 19 & 20).

STEP 12

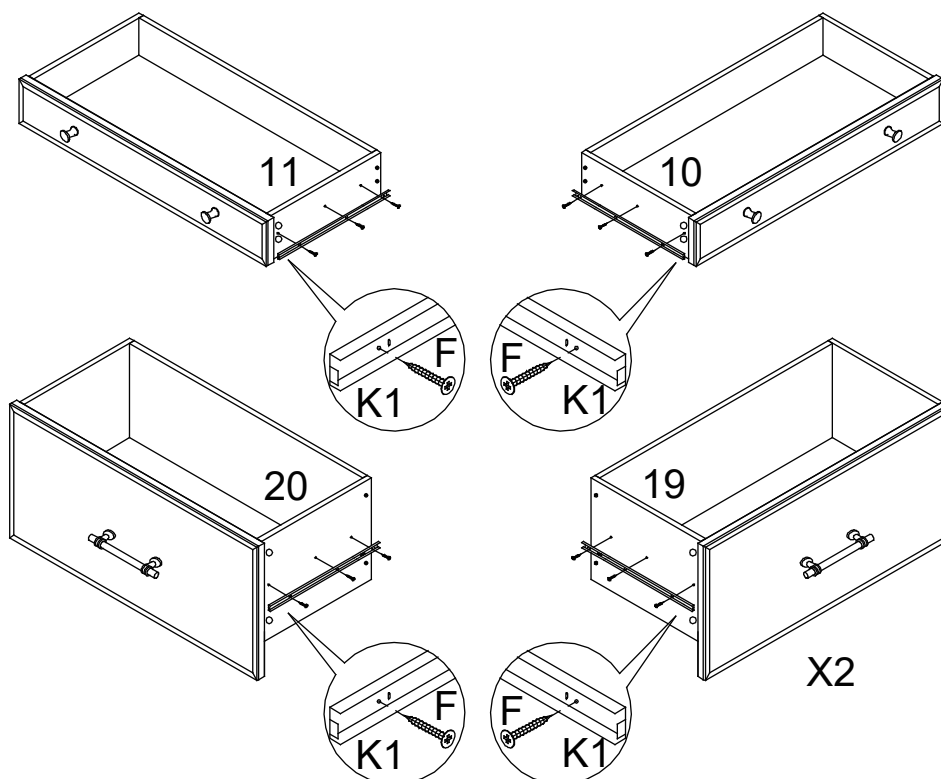


B		15 pcs
H		2 pcs
I		2 pcs
J		6 pcs

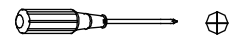


- Refer to Drawing 12A - Attach Drawer Front Panel (9) to Drawer Left & Right Panel and Drawer Bottom Connect Bar (10, 11 & 13). Ensure the front edge of (14) fits into the groove on (9).
- Refer to Drawing 12B - Attach Drawer Front Panel (15) to Drawer Left & Right Panel and Drawer Bottom Connect Bar (19, 20 & 20). Ensure the front edge of (14) fits into the groove on (15).
- Insert Cam-lock (B) into the designated holes on each drawer side panel and bottom connect bar then turn clockwise to lock onto Cam-bolt.
- Use Bolt (J) to affix Knob (H) and Handle (I) to (9 & 15), respectively.

STEP 13

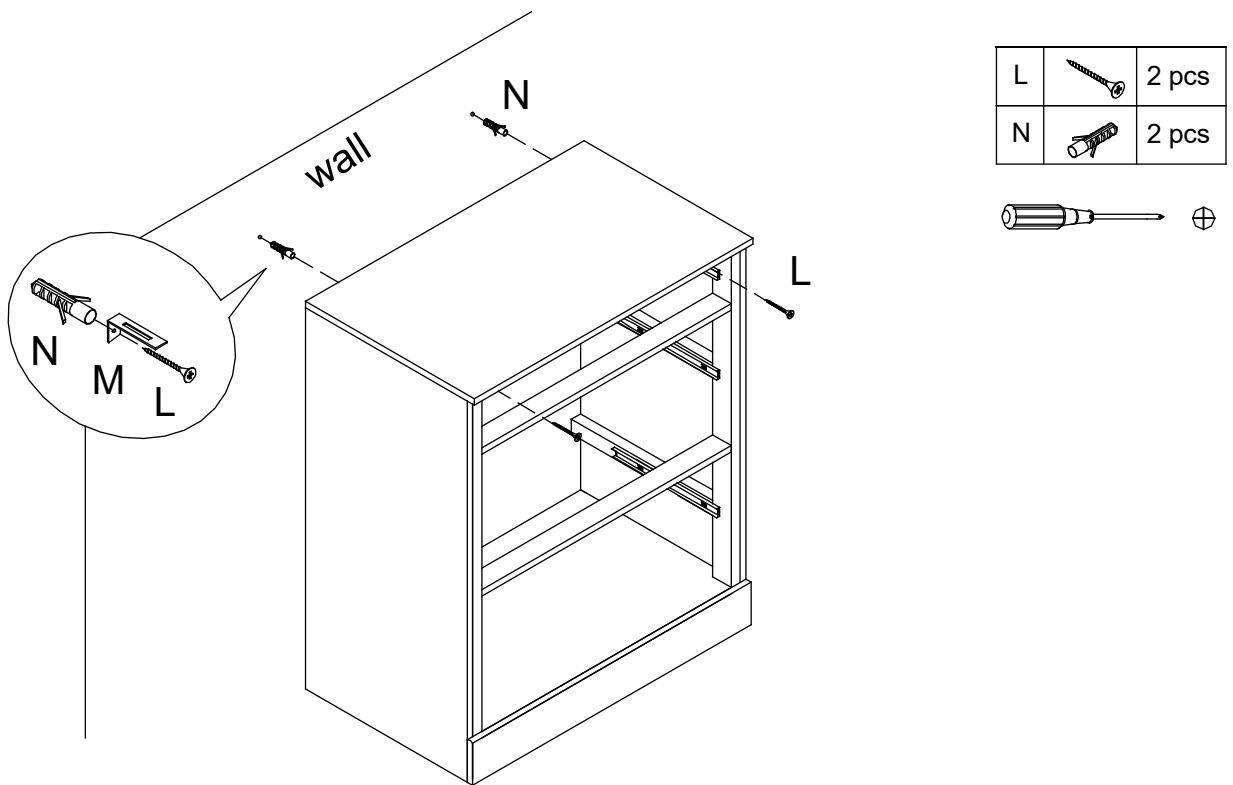


F		18 pcs
K1		6 pcs



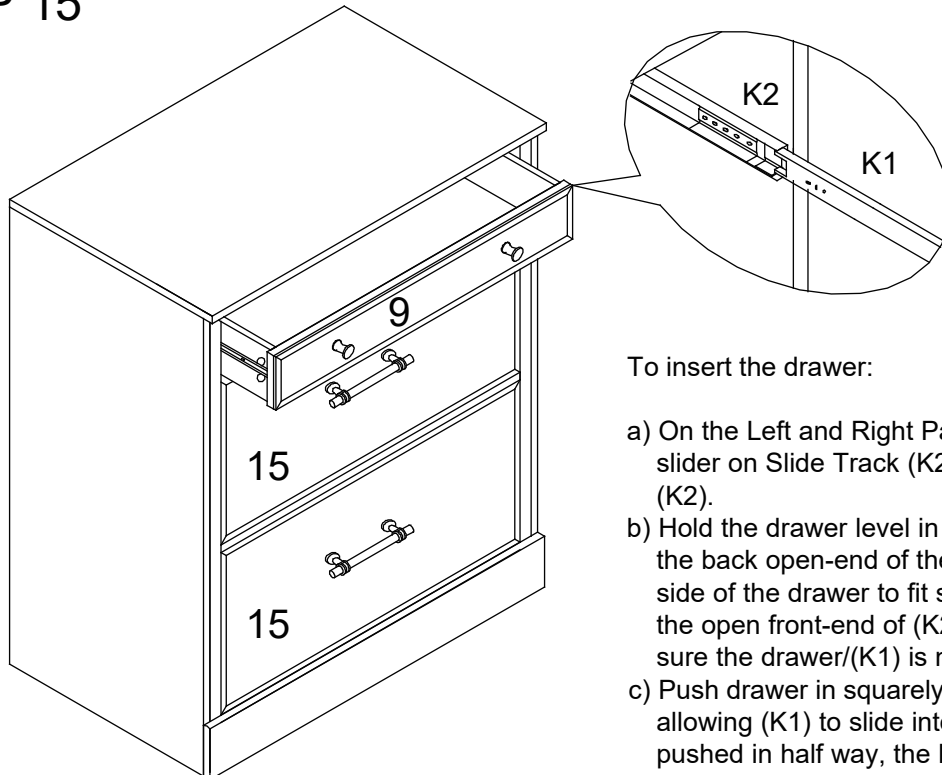
- Position Glide Runner (K1) as shown. Note the orientation of (K1) with respect to the open-end of (K1) which faces the back of the drawer and the closed end is towards Drawer Front Panel as pictured.
- Align screw holes on (K1) to pilot holes on each side panel, and use Screw (F) to fasten (K1).

STEP 14



- Drill two holes in the dry wall as per the length and diameter of Plastic Anchor (N) and the distance between the holes and the height need to be the same as the screw holes on Bracket (M).
- Press Plastic Wall Anchor (N) into the 2 drilled holes. Ensure that the anchor fits securely in the wall.
- Drive Screw (L) through the screw hole on Bracket (M) into the screw hole on (N) to secure the Cabinet to the wall.

STEP 15



To insert the drawer:

- On the Left and Right Panel, bring the ball-bearing slider on Slide Track (K2) forward to the front edge of (K2).
- Hold the drawer level in front of the table and align the back open-end of the Slide Runner (K1) on each side of the drawer to fit squarely into the groove on the open front-end of (K2) on each Side Panel. Be sure the drawer/(K1) is not tilted or angled.
- Push drawer in squarely and gently into place, allowing (K1) to slide into (K2). When the drawer is pushed in half way, the lever/stopper on (K1) will be engaged into (K2) which will create a little resistance (it is normal). Pull out the drawer a little bit and gently push in the drawer again to engage the sliding mechanism. The drawer should now slide back out and in smoothly.

The assembly of the Cabinet is complete.