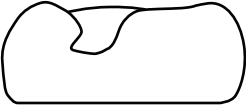
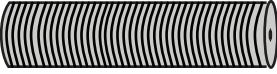

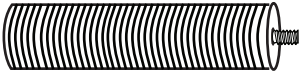
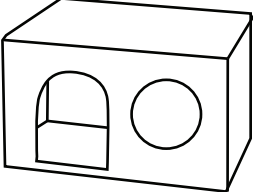

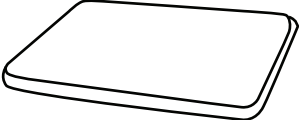

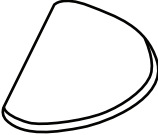

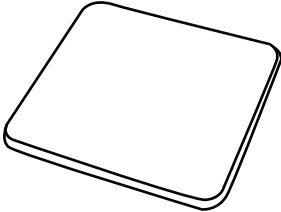

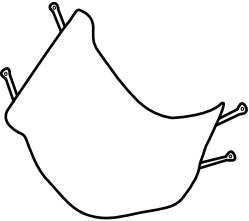
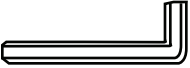




76" KITTY CASITA

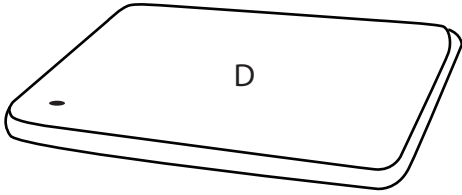


For parts or assembly issues, please contact
our customer service department.
1(800)692-2199 www.majesticpet.com

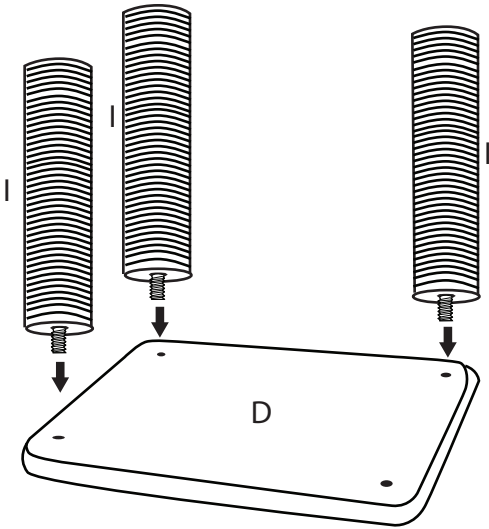


<p>A</p> 	<p>1 piece</p>	<p>H</p>  <p>50CM</p>	<p>5 pieces</p>
<p>B</p> 	<p>1 piece</p>	<p>I</p>  <p>50CM</p>	<p>3 pieces</p>
<p>C</p> 	<p>1 piece</p>	<p>J</p>  <p>60CM</p>	<p>2 pieces</p>
<p>D</p> 	<p>1 piece</p>	<p>K</p>  <p>M10X30</p>	<p>1 piece</p>
<p>E</p> 	<p>2 pieces</p>	<p>L</p>  <p>M10X50</p>	<p>4 pieces</p>
<p>F</p> 	<p>1 piece</p>	<p>M</p>  <p>M10X80</p>	<p>4 pieces</p>
<p>G</p> 	<p>1 piece</p>	<p>N</p> 	<p>All Tools Included</p>
		<p>O</p> 	<p>4 pieces</p>
		<p>P</p> 	<p>1 piece</p>

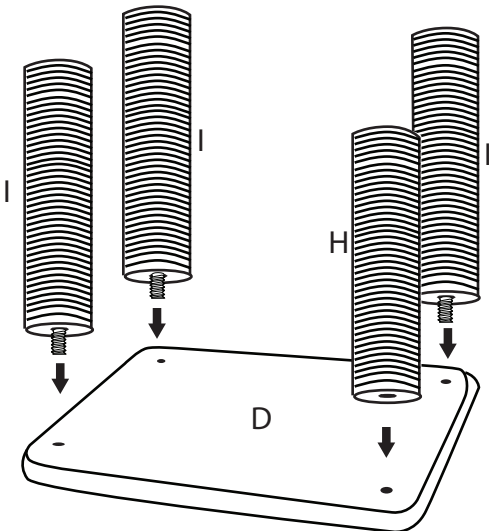
1 Place (D) platform upside down on the ground.



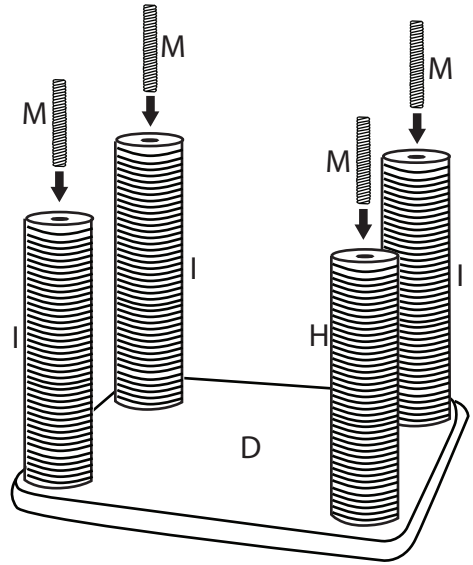
2 Screw in (I) posts into corners with threading on (D) platform.



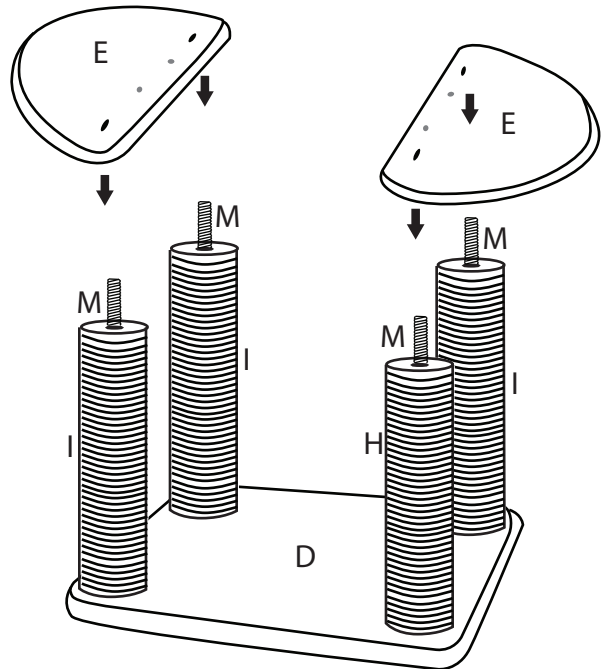
3 Align (H) post onto fourth corner hole of (D) platform.



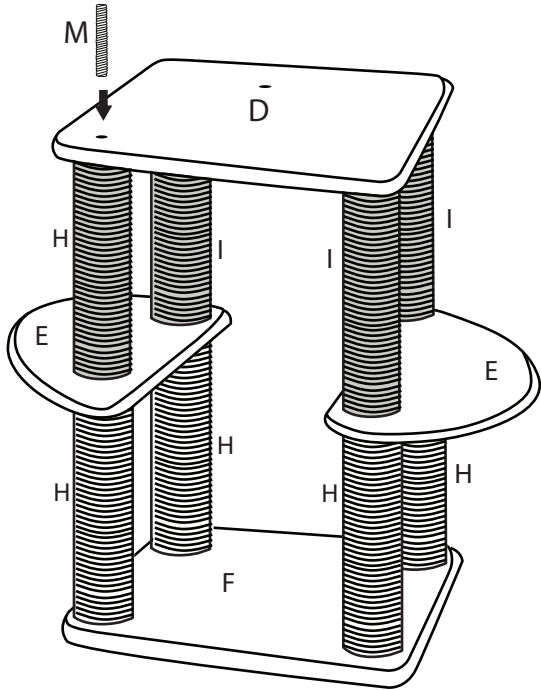
4 Screw in (M) screws into (H) and (I) posts.



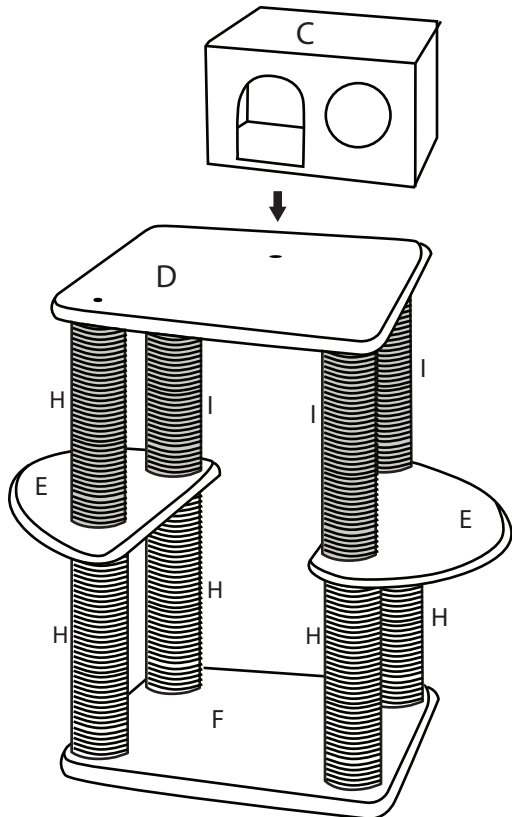
5 Place (E) platforms facing upside down and curved outward onto (M) screws.



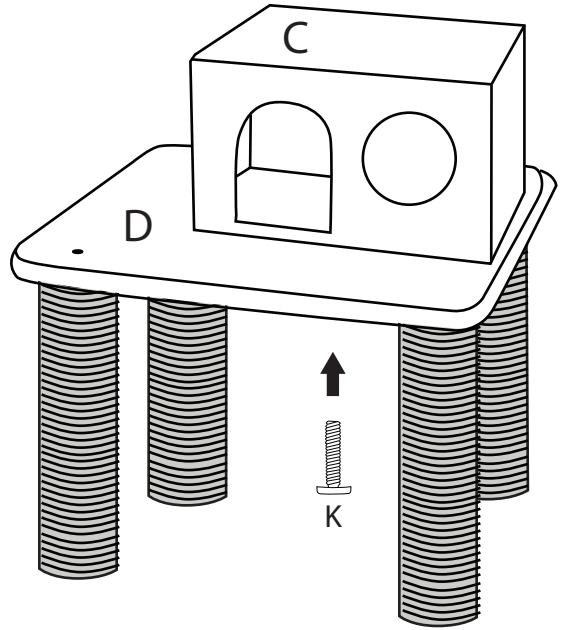
- 10 Place cat tree right side up. Screw in (M) screw down into (D) platform.



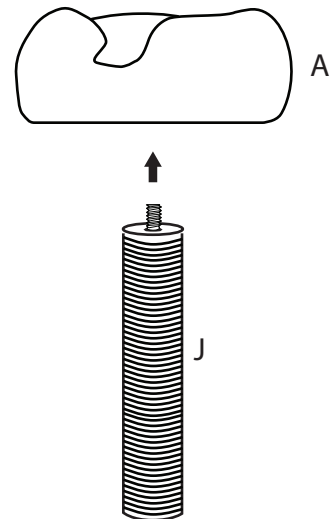
- 11 Place (C) house with double doors facing (M) screw onto (D) platform and align.



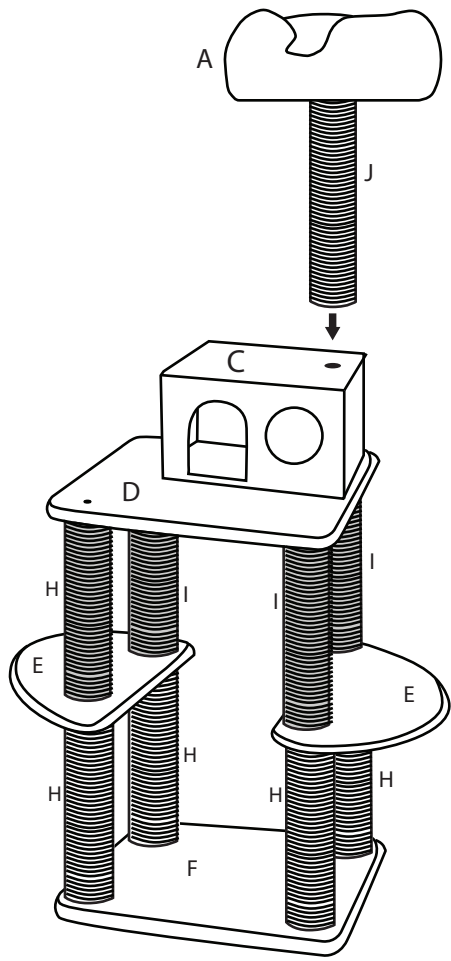
- 12 Insert (K) screw through the bottom of (D) platform into (C) house. Tighten with tool.



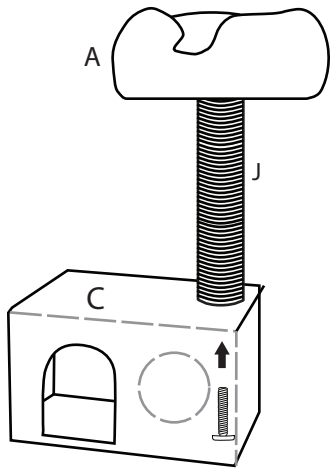
- 13 Screw (J) post into (A) perch.



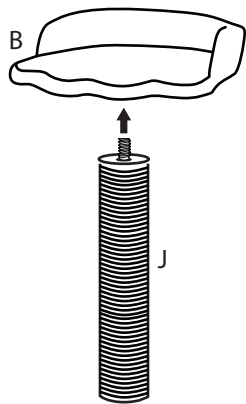
14 Align (A + J) post onto (C) house.



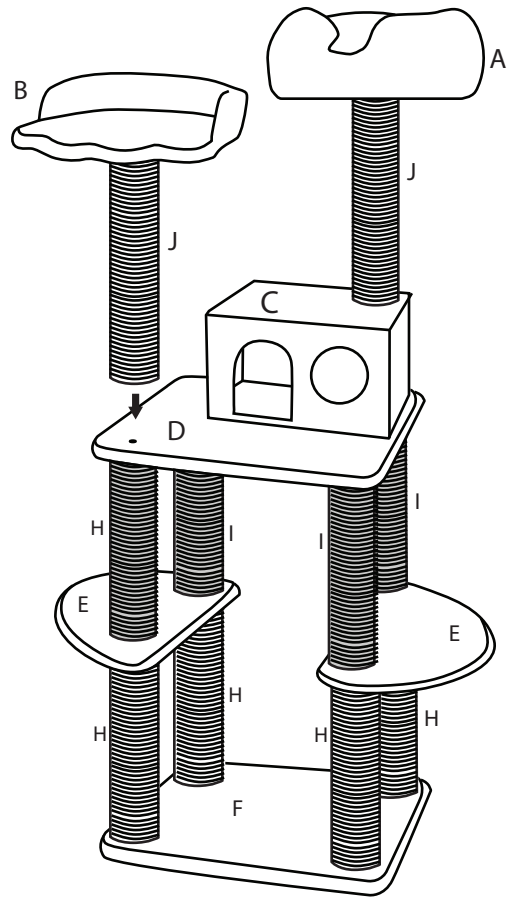
15 Screw in (L) screw under roof of (C) house into (A + J) post.



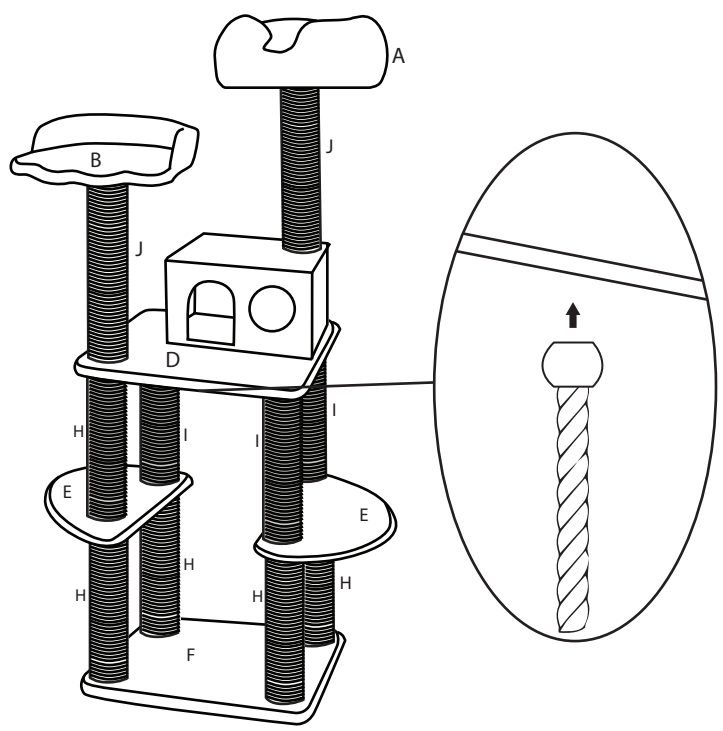
16 Screw (J) post into (B) perch.



17 Screw (B + J) onto (D) platform.



18 Screw rope into remaining hole under (D) platform.



19 Hang hammock from (O) hooks attached to (E) platforms.

