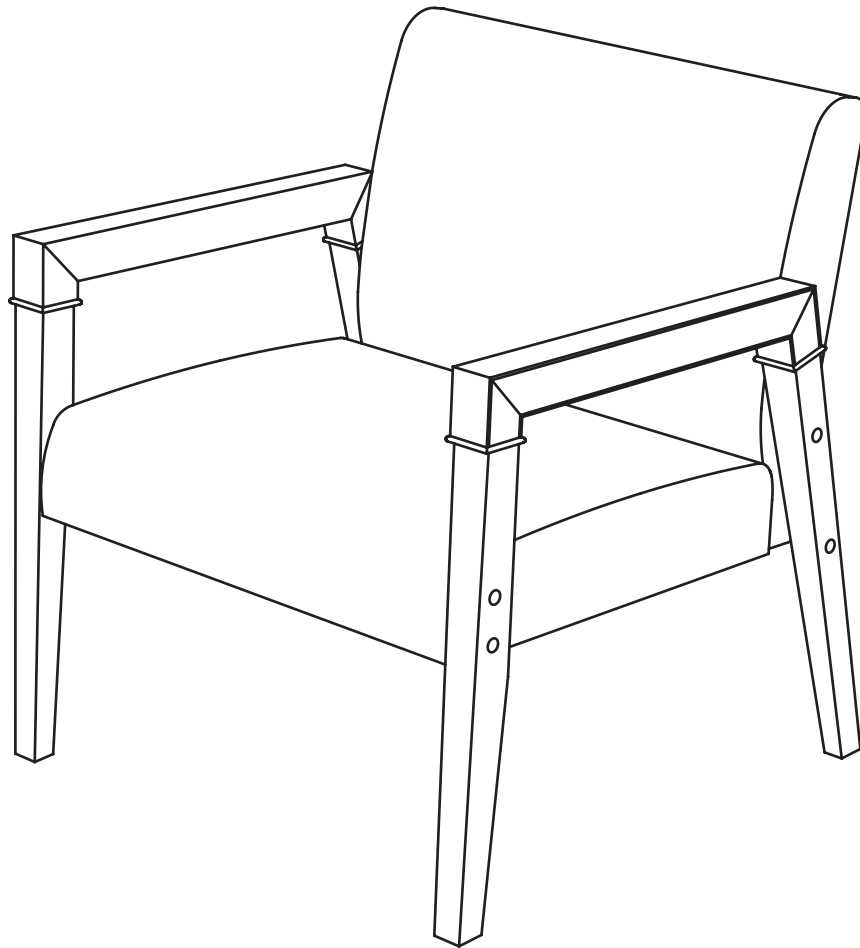


Let's build the

# Hudson Lounge Chair

SKU 25201



**Scan me!**

Inspiration  
Digital Instructions  
Free Lifetime Warranty

nathan james

22-1019

# Ok, let's get rolling

This should be easy, just follow our instructions and you will be back to Netflix in no time.

## Estimated time for assembly



25:00

## What you need

- Some of your favourite bubbly or your preferred relaxant
- Use the packaging carton as a working surface to prevent product damage during assembly

## Weight Limitation



300  
lbs

Toll-free at 1-866-619-1004

Help@nathanjames.com

Nathanjames.com/help

## What's included

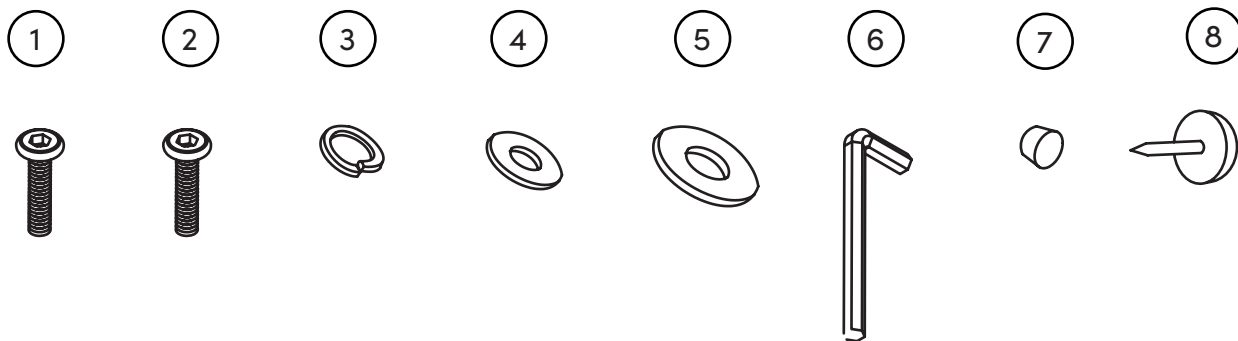
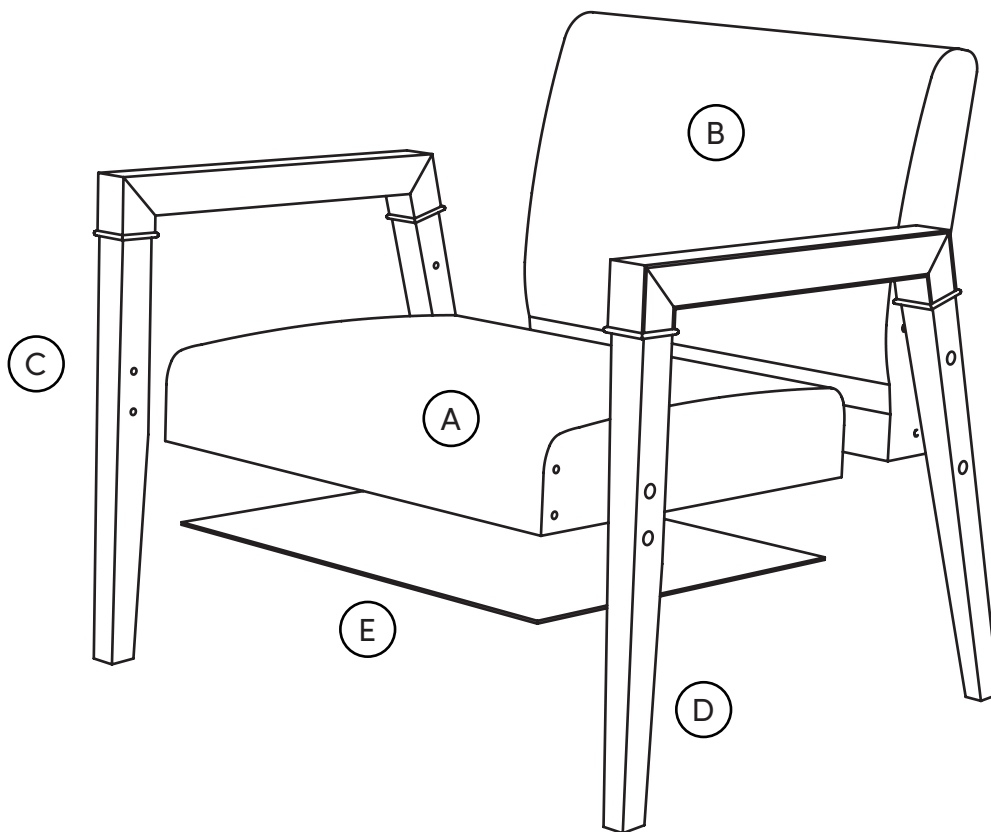
Description	Qty
A Seat Cushion	1
B Chair Back	1
C Left Leg Frame	1
D Right Leg Frame	1
E Velcro Cambric Cover	1
1 1/4 x 1 3/4 inch Hex Button Head Bolt	4
2 1/4 x 2 1/8 inch Hex Button Head Bolt	8
3 1/4 x 3/8 inch Spring Washer	12
4 1/4 x 1/2 inch Flat Washer	8
5 1/4 x 3/4 inch Flat Washer	4
6 Allen Key	1
7 17/16mm Dia x 10mm Wood Plugs	8
8 Plastic Nailhead Footpad (Extra)	4

Scan me!

Inspiration  
Digital Instructions  
Free Lifetime Warranty



# The goods



## IMPORTANT

1. Do not tighten bolts / screws completely until all bolts / screws are lined up and inserted into holes.
2. Do not over tighten screws and bolts to avoid stripping.
3. Please use hand tools to assemble this product. Do not use power tools.

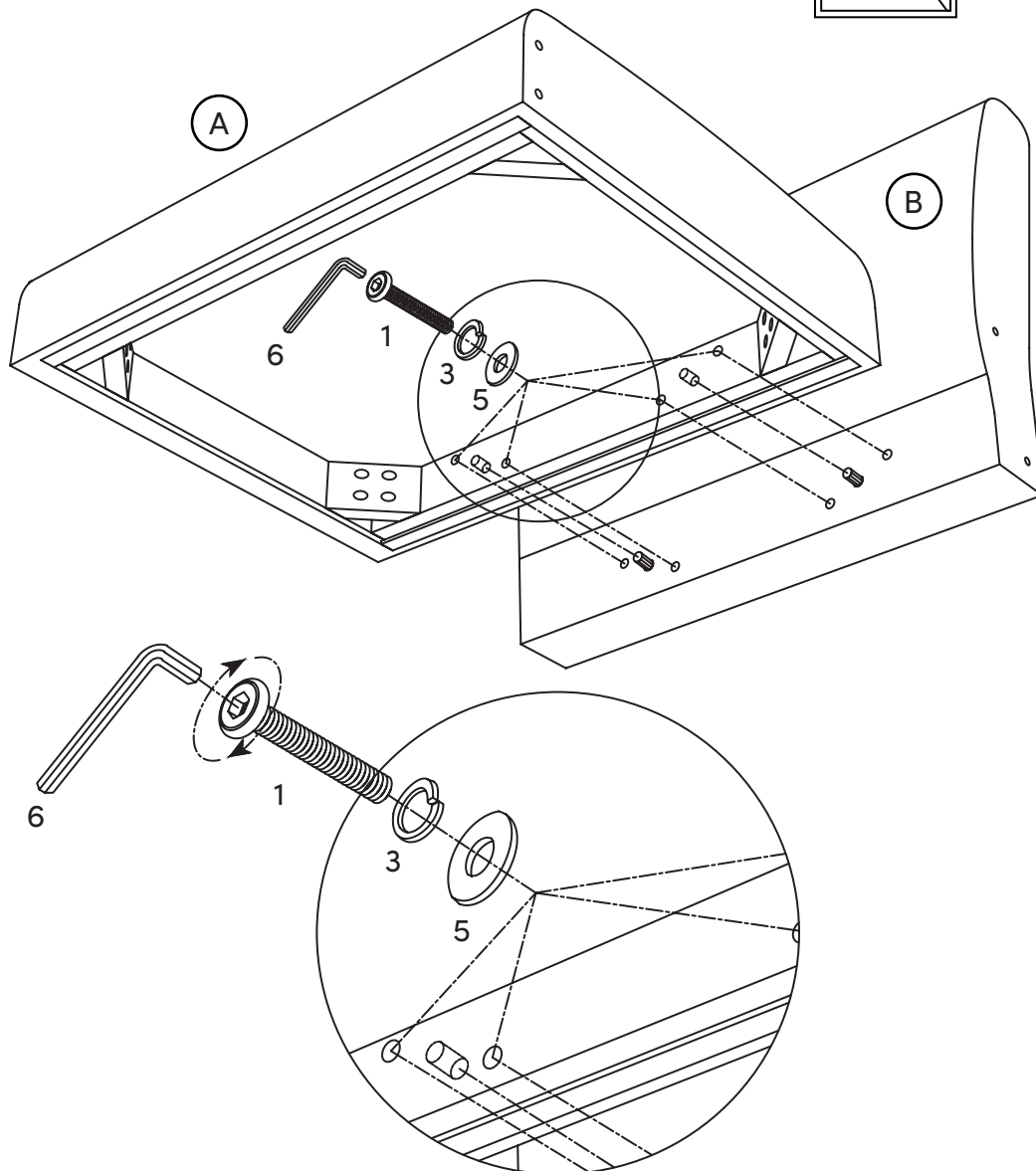
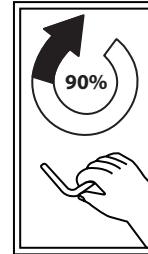


# Step 1

Let's get this thing fired up!

Take a moment to match the sticker on the bottom of the chair back with the sticker on the corner block.

Then, secure the Seat Cushion (A) to the Chair Back (B). Tighten to 90%.



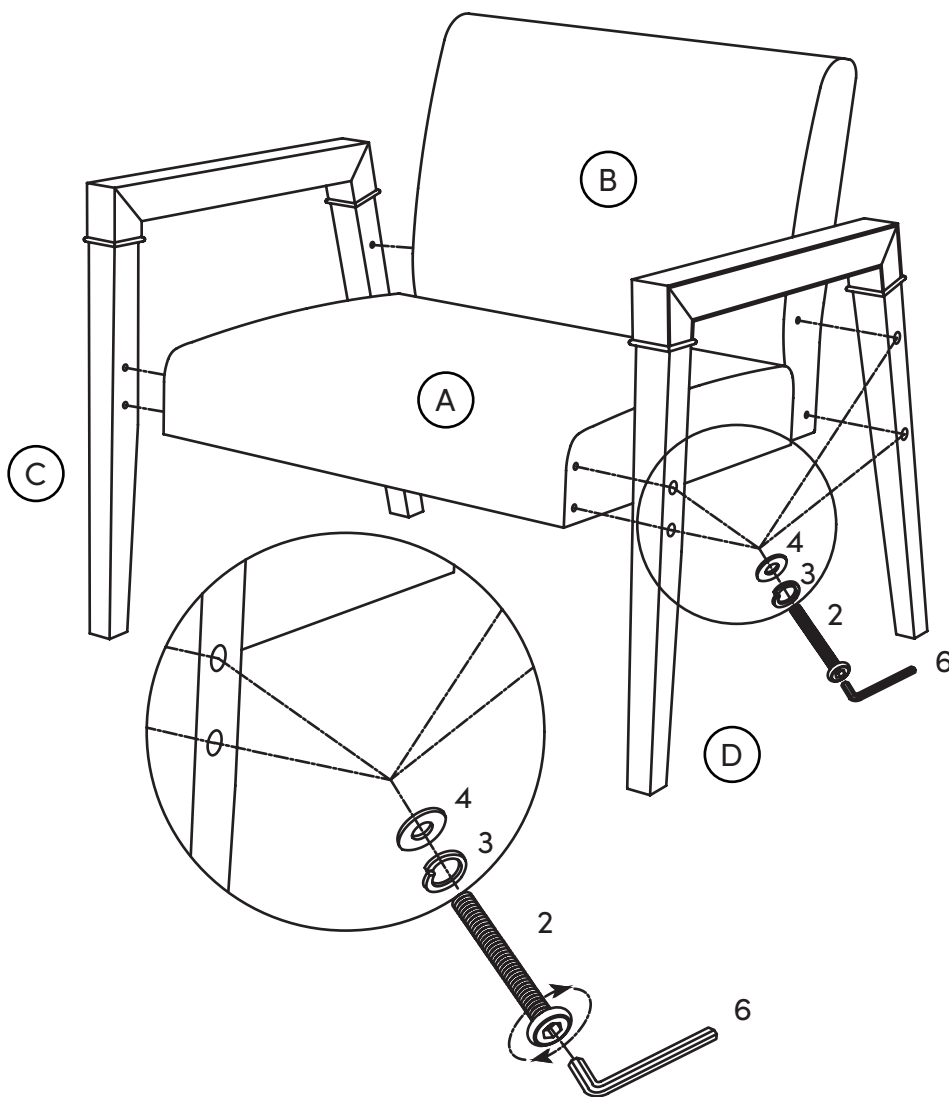
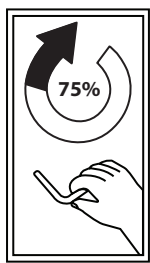
# Step 2

Now let's secure those legs in place! Consider this your workout of the day.

First place a 1/4 x 3/8 inch Spring Washer (3) then a 1/4 x 1/2 inch Flat Washer (4) on the thread end of a 1/4 x 2 1/8 inch Hex Button Head Bolt (2) and then tighten the legs onto the Seat Cushion (A) and Chair Back (B) using the Allen Key (6). Repeat for both sets of legs.

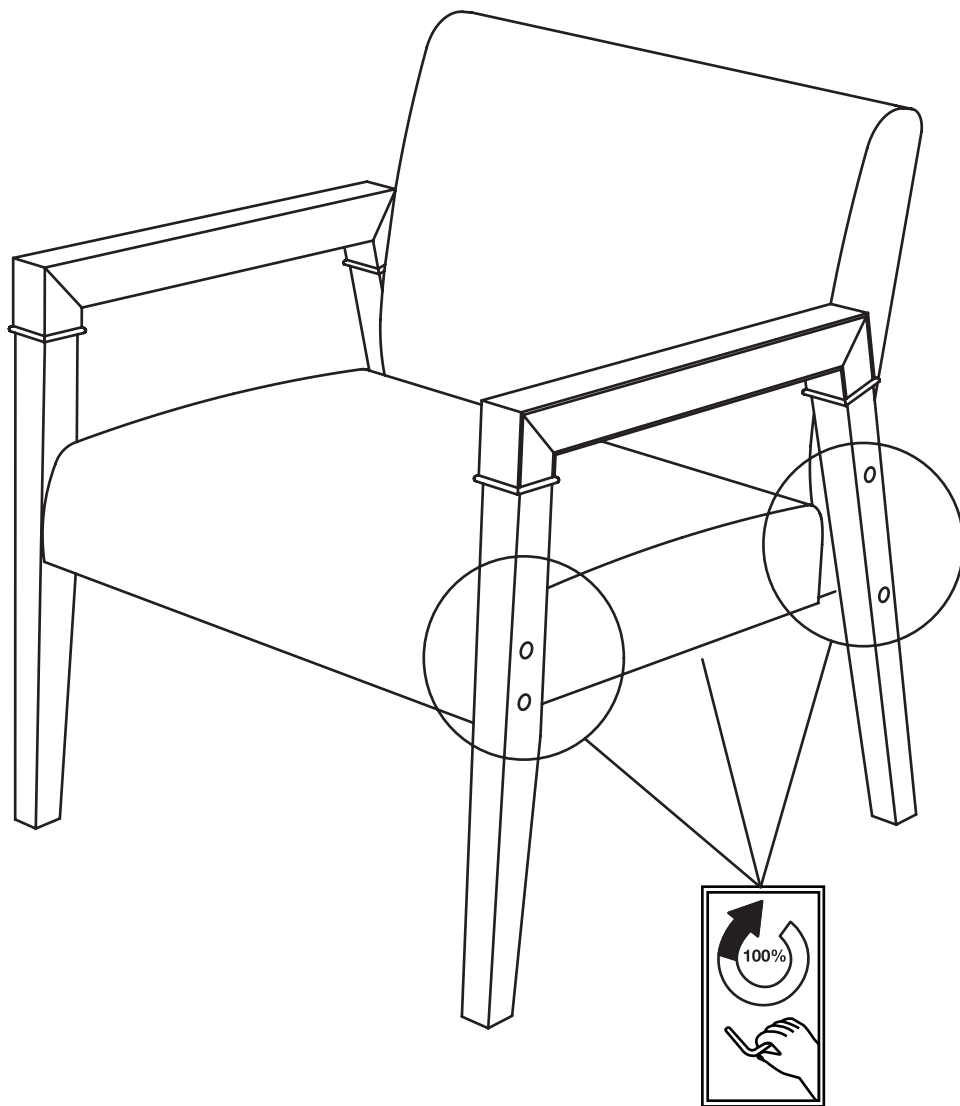


Do NOT overtighten hardware.



# Step 3

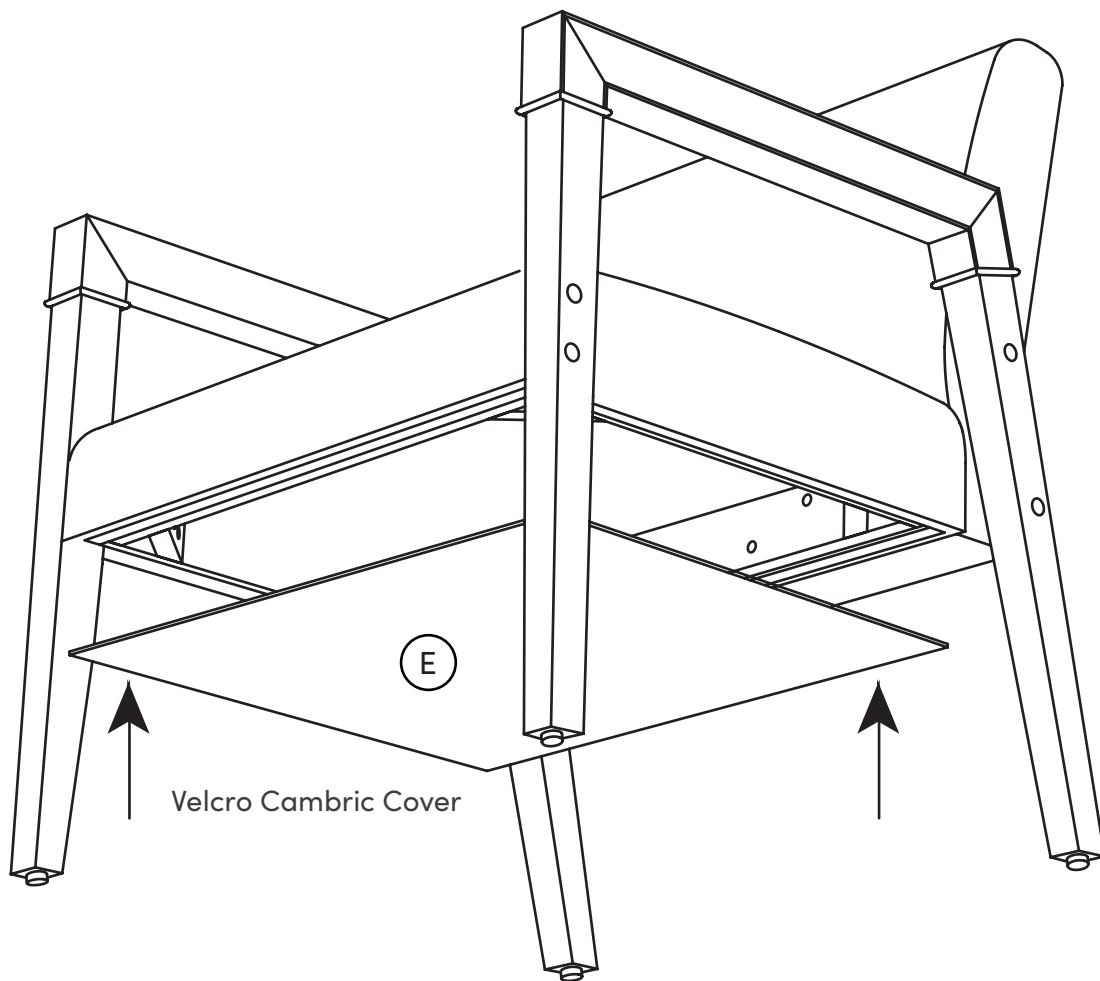
Put the chair on a flat surface and make sure all of the legs are touching the ground before tightening everything to 100%.



# Step 4

Attach the Velcro Cambric Cover (E) to the bottom of the seat cushion to cover the bottom of the seat frame.

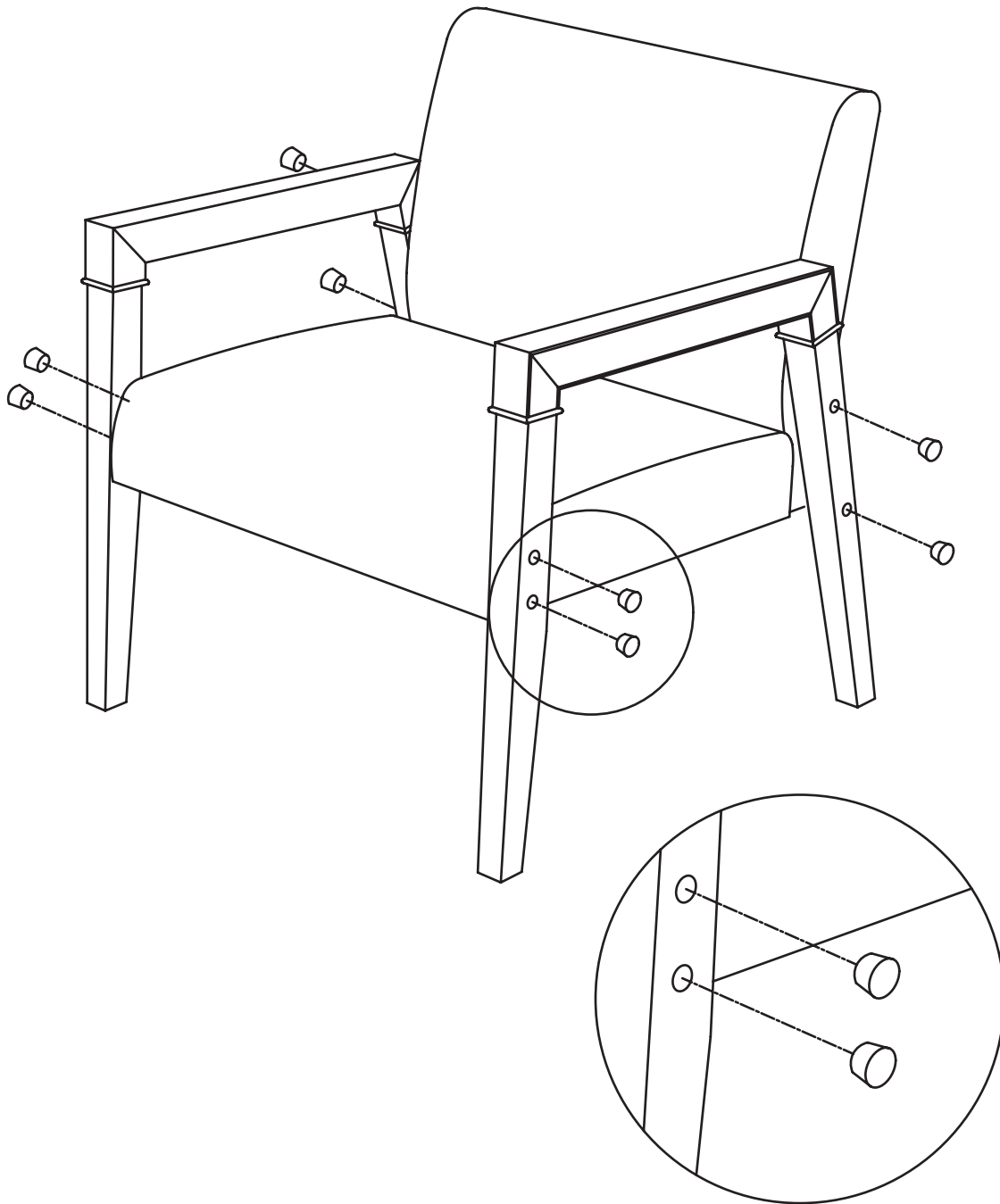
You're one step away from being done!



# Step 5

Last, but not least, insert the wood plugs into the holes.

You did it! Time to celebrate with pizza? We think yes.



# No heartburn, when we handle the return

Give us a call 1-866-619-1004 or shoot us a message at [help@nathanjames.com](mailto:help@nathanjames.com) we will issue you a free replacement with **zero hassle**.

## Our way



Give us a call

---



Replacement

---



You

## Their way



Re-package item

---



Schedule pick up

---



Track package

---



Replacement

---



You

We really don't want you to go through the hassle of re-packaging your item and sending it back, because let's be honest...nobody has time for that.



# Safety first, fun later

We want your lounge chair to last as long as possible, so we recommend that you tighten the screws 2 weeks after assembly and for added safety check the tightness of all screws every 2 months.

For proper care and treatment of wood and fabric please check our website at [NathanJames.com/products](http://NathanJames.com/products)

## Safe use of this product starts with you.

Use this lounge chair responsibly with the primary concern for your safety. Follow assembly instructions carefully and inspect product upon receipt and each use.

Nathan James and its parent companies cannot be held legally responsible for any injuries or death resulted from failure to follow instructions or improper use of this product.

## Do not modify the structure of this product in any way.

Our products have been tested to meet specific safety measures as they were originally intended to be sold. Any modifications will present the risk of creating significant safety issues which NJ will not be responsible for.

## Proper use

- DO NOT** use for commercial purposes
- DO NOT** place on uneven floor or surface
- DO NOT** use as a step-stool or stand on chair
- DO NOT** put hot serving liquid directly on chair
- DO NOT** leave spilled liquid on chair
- DO NOT** use if chair is damaged or broken
- DO NOT** make temporary repairs
- DO NOT** use outdoors



# We are only in business if you're happy

For starters, thanks for being you.

☎ Toll-free at 1-866-619-1004

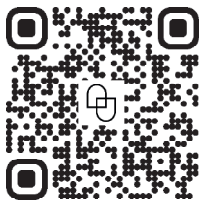
✉ Help@nathanjames.com

🌐 NathanJames.com/help

We do our best to ensure your furniture arrives without any problems, but occasionally mistakes happen—as humans we are imperfect beings. In the event that a part is damaged or missing, we will be more than happy to provide you with replacement part(s) for free.

## Warranty

This product comes with a lifetime warranty from the date of purchase. Please use your phone to scan the QR code to register your product or visit <https://goo.gl/i9dk3q>



### Did we do alright? Please spread the love!

If you are happy with your product, tell your friends and family about us or even better leave us a review online. Spreading the word gives us the opportunity to make more people happy and keep our prices low for your next purchase.

*Brooklyn Burdon*

Founder, Nathan James