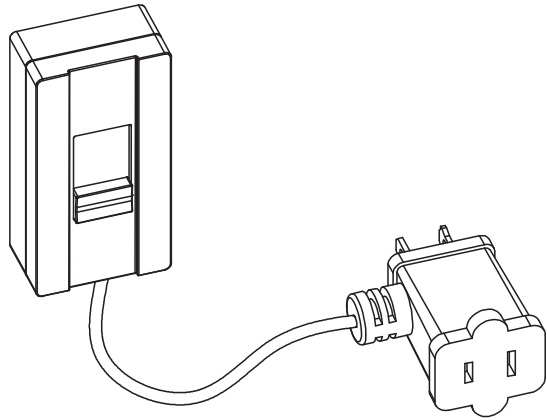


INSTALLATION INSTRUCTIONS



Model: TGTTDL300
Table Top Lamp Dimmer

FEATURES

- Easy Plug and Use
- No programming required
- 6ft cord
- Smooth dimming slider movement for maximum control over light level adjustment
- For use with 120V incandescent/halogen, Dimmable CFL or Dimmable LED lights

SPECIFICATIONS

Rating	120V~60Hz
Incandescent/Halogen.....	360W
CFL/LED/Self Ballasted.....	150W

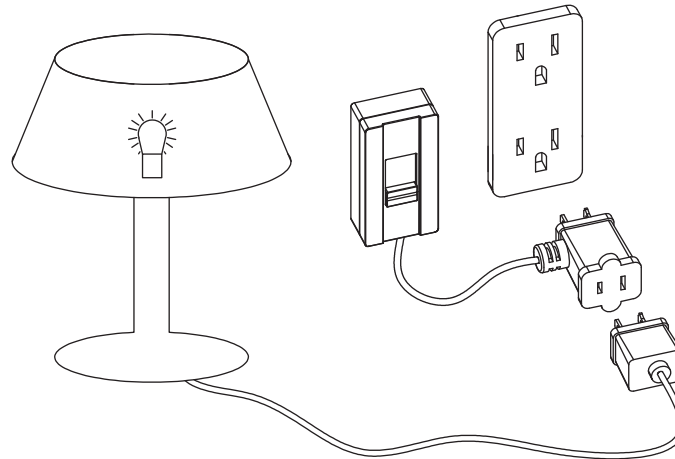
WARRANTY

This device is warranted to be free of material and workmanship defects for 1 year from the date of purchase. Original receipt or proof of purchase from an authorized retailer must be presented upon warranty claim. ALL claims must be verified and approved by Top Greener, Inc. Warranties from other Top Greener products may vary. This warranty is nontransferable and does not cover normal wear and tear or any malfunction, failure, or defect resulting from misuse, abuse, neglect, alteration, modification, or improper installation. To the fullest extent permitted by the applicable state law, Top Greener shall not be liable to the purchaser or end user customer of Top Greener products for direct, indirect, incidental, or consequential damages even if Top Greener has been advised of the possibility of such damages. Top Greener' total liability under this or any other warranty, express or implied, is limited to repair, replacement or refund. Repair, replacement or refund are the sole and exclusive remedies for breach of warranty or any other legal theory.

NOTES

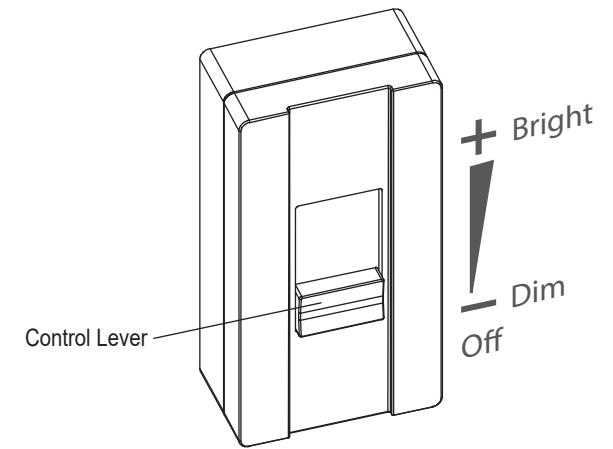
- FIRE HAZARD: DO NOT exceed maximum Wattage specified.
- Use Dimmable bulbs only
- STRANGULATION HAZARD: KEEP CORDS AWAY FROM CHILDREN!!!

INSTALLATION



1. Turn Off the power on the lamp and unplug the lamp.
2. Slide the control lever on the TGTTDL300 dimmer to the Off position.
3. Plug in the TGTTDL300 into a live outlet.

OPERATING THE DIMMER



1. Plug the lamp into the TGTTDL300.
2. Turn the lamp On.
3. Slide the control lever up to brighten the lamp and slide down to dim.
 - a. To turn Off the lamp completely using the TGTTDL300, slide the control lever all the way down until you feel a slight click (that's the Air Gap on the switch)



TOPGREENER®

© 2018 Top Greener, Inc. • CA, U.S.A. • WWW.TOPGREENER.COM • 0205180118-01