








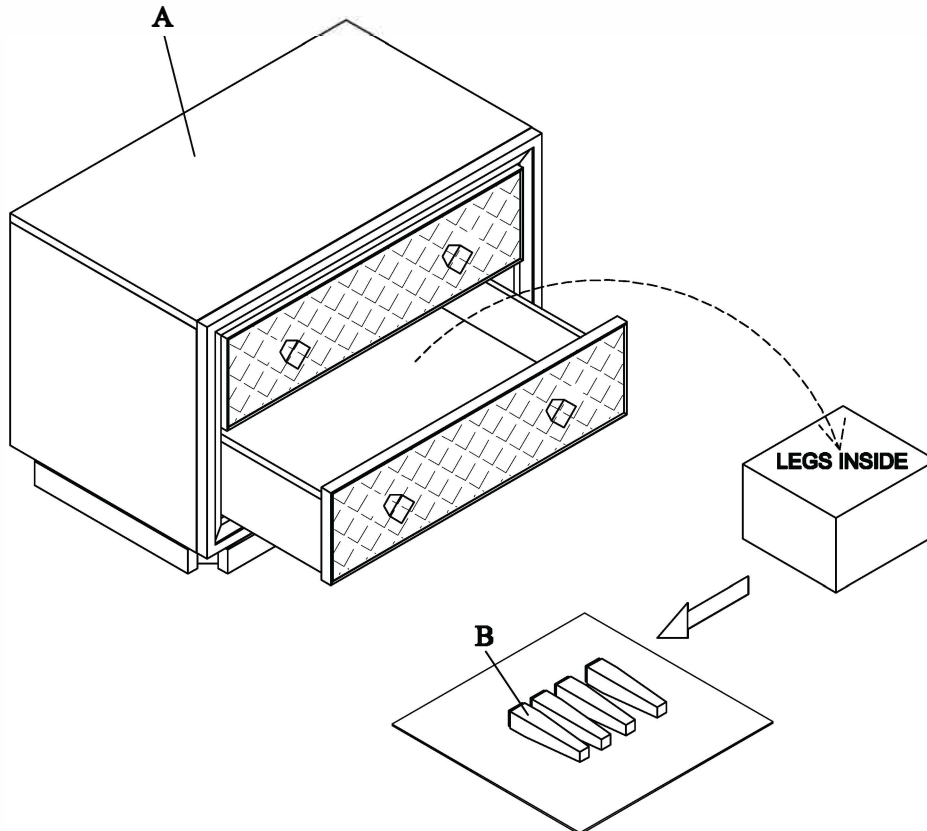
ASSEMBLY INSTRUCTION

Thank you for purchasing this quality product. Be sure to check all packing material carefully for small parts that may have come loose inside the carton during shipment.

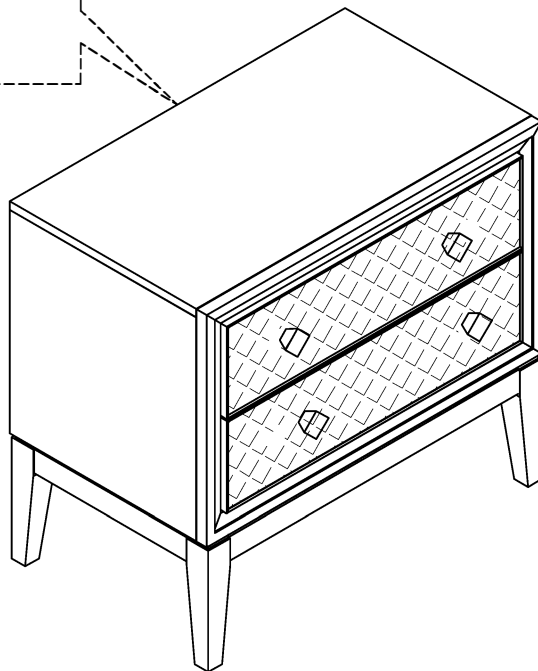
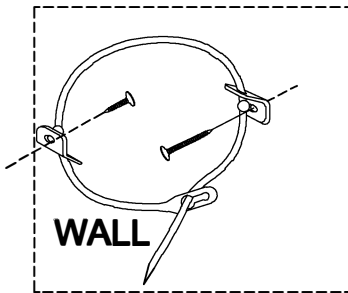
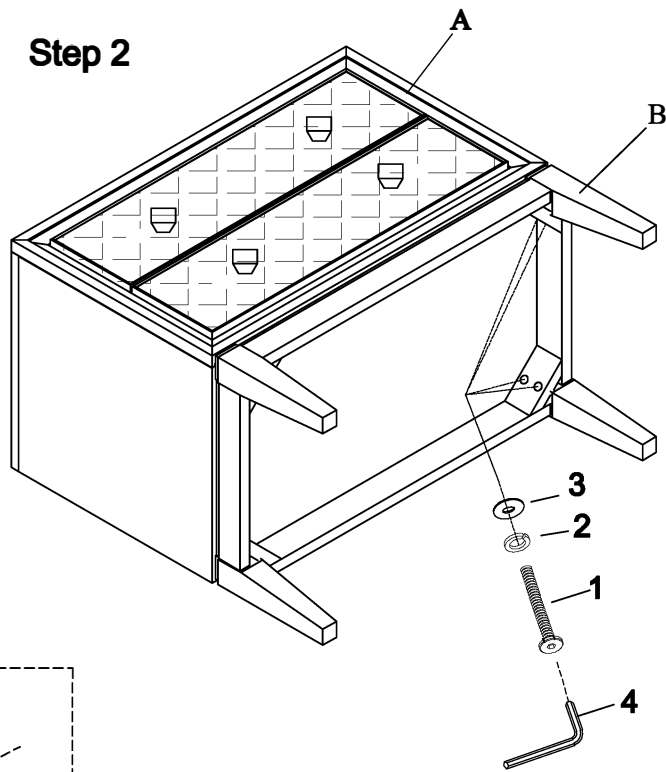
PART LIST			
NO.	Description	Sketch	Q'ty
A	NIGHT STAND		1PC
B	LEG		4PCS

HARDWARE LIST				
NO.	Description	Sketch	Size	Q'ty
1	BOLT		5/16"-18x2"	8PCS
2	SPRING WASHER		5/16"IDx1/2"ODx1/16"TK	8PCS
3	FLAT WASHER		5/16"IDx3/4"ODx1/16"TK	8PCS
4	ALLEN KEY		1/6"	1PC
5	Tipping restraint			1SET

Step 1



Step 2



COMPLETED



It is recommended to install protective pads under all legs and supports to avoid damage or scratches when placing furniture on a wood floor or other hard surface, and to limit indentation and prevent discoloration if placing on carpet.