

Customer Service Information

Seville Classics, Inc.

Telephone: (800) 323-5565

Fax: (310) 533-3899

Hours: 8:30 AM – 4:30 PM (PST)

Email: Support@SevilleClassics.com

Online Store: www.SevilleClassics.com



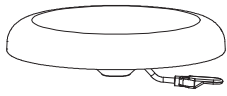
Acacia Wood Seat Pneumatic Adjustable Work Stool

Model #: SHE18293B

Thank you for choosing Seville Classics!

We hope you enjoy your new work stool.
Please read through this user guide for frequently asked questions
and customer support contact information.

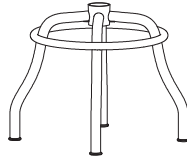
Parts List



A. Seat (1 pc)



B. Pneumatic Cylinder (1 pc)

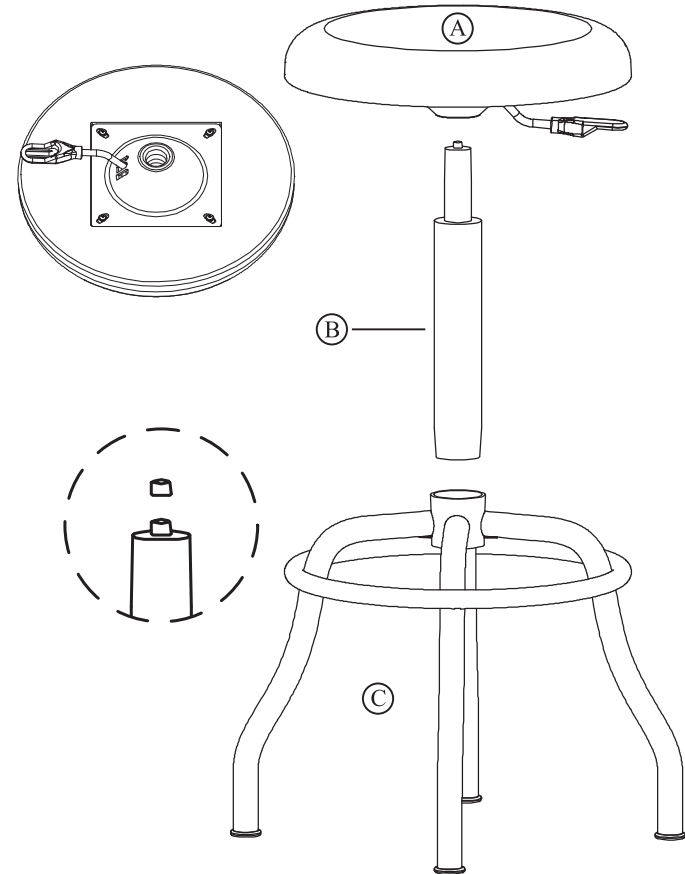


C. Base (1 pc)

WARNING:

Maximum weight capacity 300 lbs (136 kg)

Periodically, tighten screws to prevent seat from coming loose.



STEP 1.

Insert the large end of the **PNEUMATIC CYLINDER (B)** into the **BASE (C)** collar.

STEP 2.

First, remove the protection cap from the small end of the **PNEUMATIC CYLINDER (B)**. Next, placed the **SEAT (A)** onto the small end of the **PNEUMATIC CYLINDER (B)** and push the seat top down firmly.

Your adjustable stool is now ready to use.

Please make sure you have all the parts on this list.
If you are missing parts, contact us for replacements at (800) 323-5565 or
send an email to Support@SevilleClassics.com.

Note:

Please be considerate of the environment and recycle the brown box the item was delivered in.
Thank you.