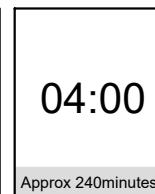
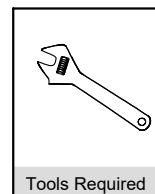
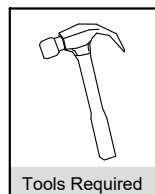
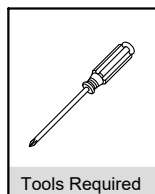
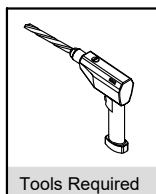
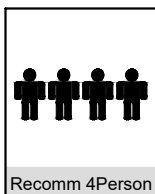
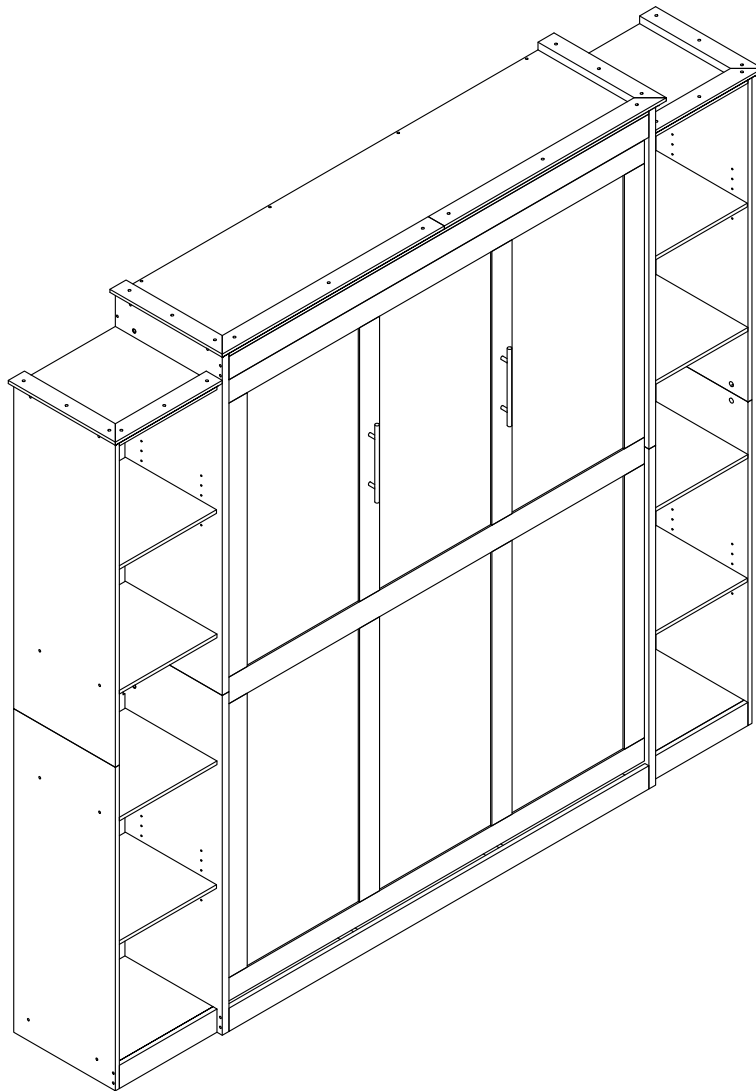


# Assembly Instruction

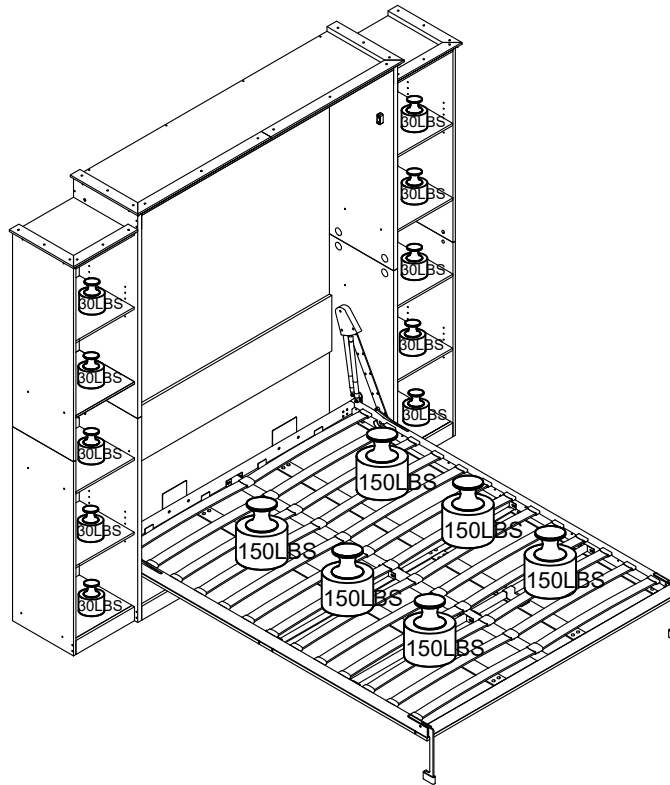
## MURPHY BED





## WARNING

### Recommended Maximum Weight



### General Guidelines

- .Please read the following instruction carefully and use the product accordingly.
- .Please keep this manual and hand it over when you transfer the product.
- .This summary may not include every detail of all variations and considered steps.Please contact us when further information and help are needed.

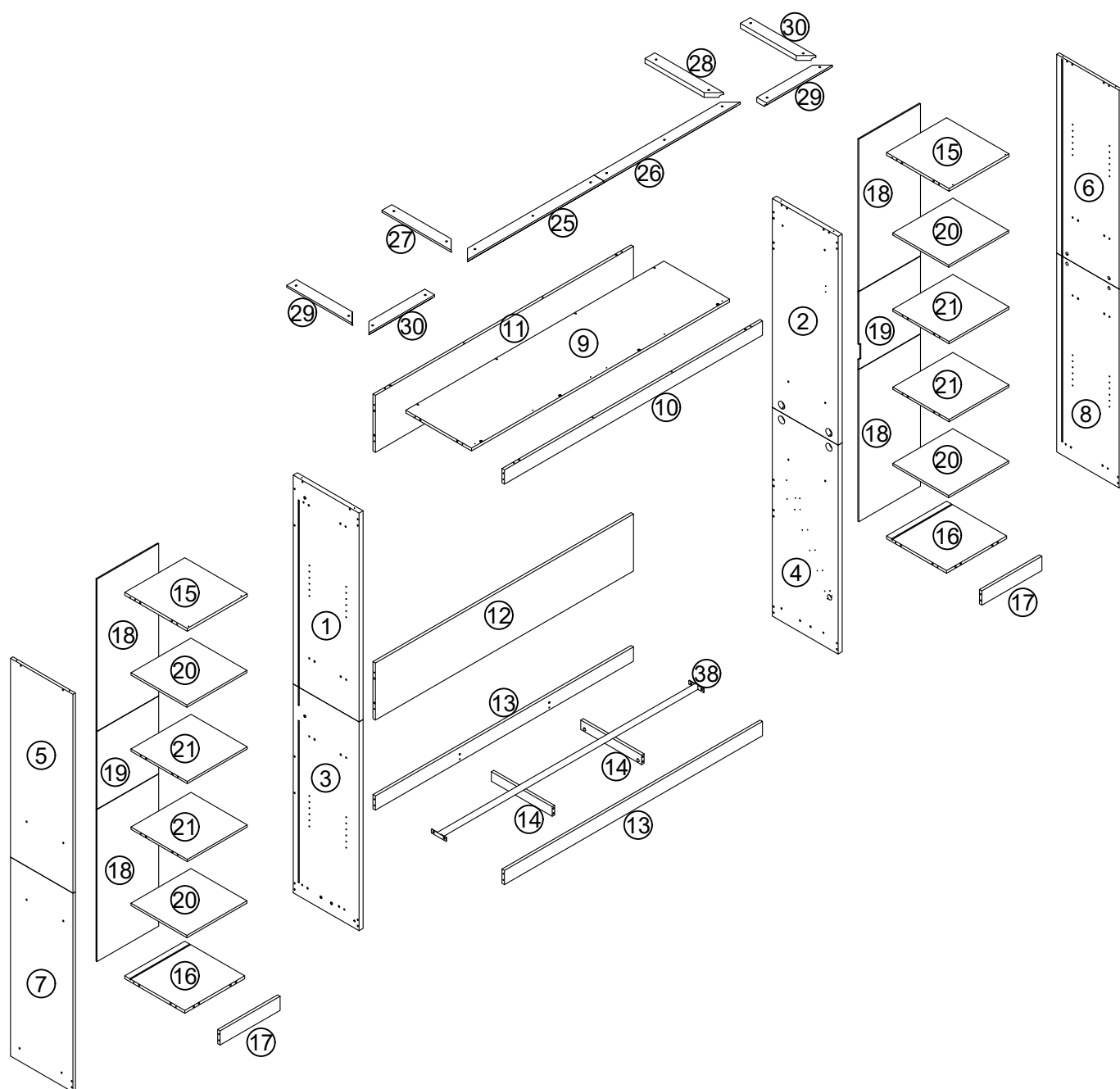
### Notes

- . This unit has been designed to support the maximum loads shown. Exceeding these load limits could cause sagging, instability, product collapse, and/or serious injury.
- .The product is intended for indoor use only. The product must be assembled and used in accordance with the provisions of this manual. Personal injury and/or damage to product may occur if products are used outside of their intended purposes and/or if products have been changed/modified from their original design. The seller does not assume any responsibility or liability with respect to any injury/damage caused by incorrect assembly or improper use.
- .Avoid long-term exposure to humid environments to prevent mildew.
- .Keep the product away from fire sources and high temperatures. Do not expose this product to direct sunlight.
- .Do not place any hot project on the surface of the product.
- .If there are any defective or missing parts after unpacking, please cease assembly immediately and contact us.
- .It is important that each step is performed in correct order to avoid difficulties.
- .Please assemble the item on a spacious surface and do not place the unwrapped product directly on the ground to avoid product damage.
- .Please do not stand or sit on the wooden boards.
- .Please wear gloves during the assembly and/or disassembly process to avoid scratches from any sharp edges.
- .Please match the corresponding part and fitting based on the part number in the manual.
- .If the part does not match with the fitting, please check the pieces as specified in this manual.
- .During assembling, firstly loosely align all screws with corresponding pre-drilled holes and then tighten the screws one by one.
- .Periodically inspect screw tightness while the product is in use.If necessary, retighten to ensure structural integrity.
- .If you accidentally spill water or another liquid on the surface, immediately wipe clean with a dry towel.
- .Please keep the product away from sharp, pointed objects and corrosive substances to prevent product damage.
- .Please place this item on level, solid ground during use.

### Warnings

- .During assembly, keep all small parts out of the reach of children.It may be fatal if swallowed or inhaled.
- .Children should not climb or play on this product in order to avoid tipping over the furniture and causing serious injury.
- .To avoid the potential dangers of suffocation, please keep all parts and packaging(film, plastic bags,foam,etc.) away from babies and children.
- .Keep sharp objects and corrosive items away from the product to avoid any damage or injury.
- .Do not shake or move violently during use to avoid tipping over the product.

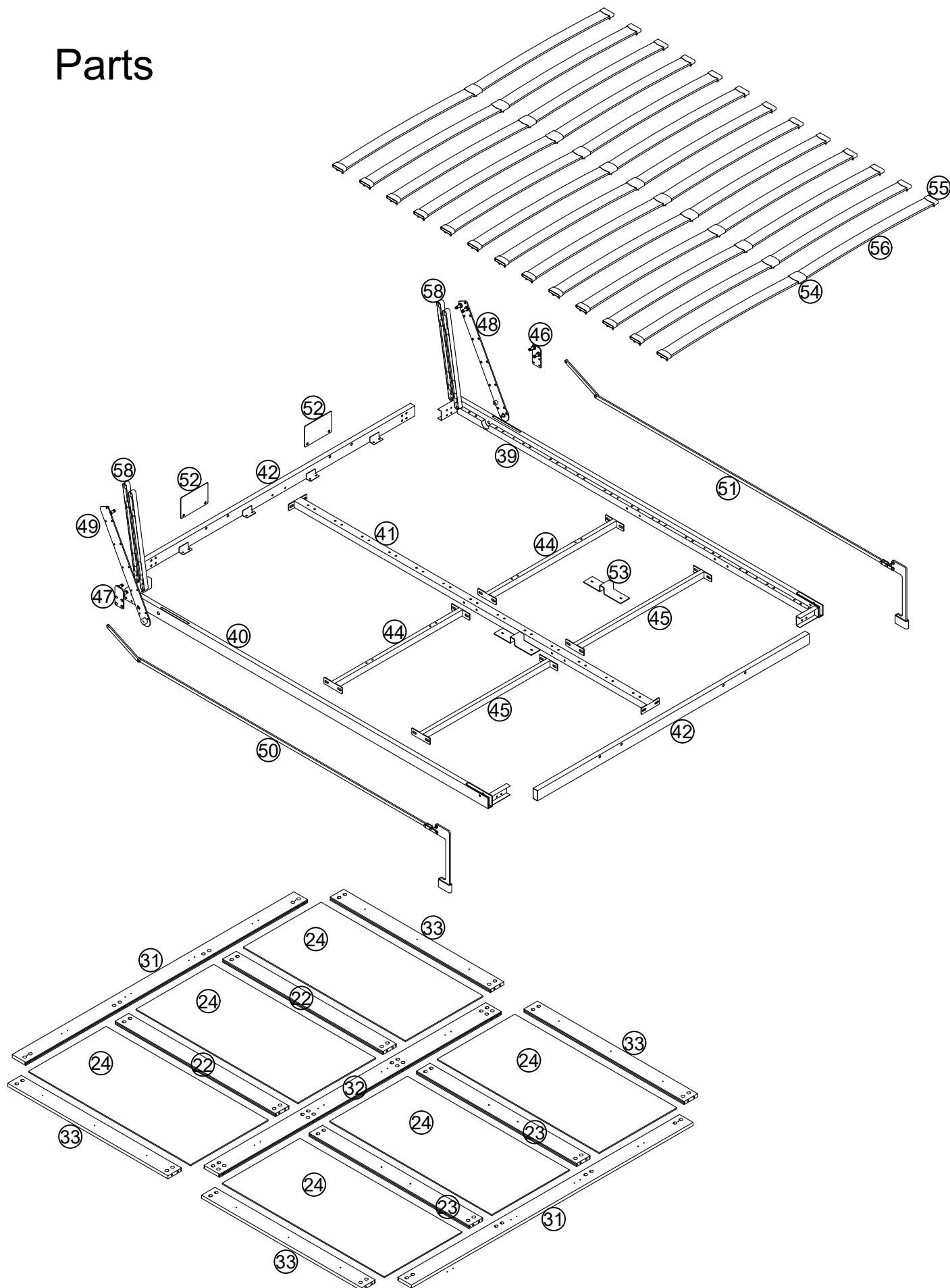
# Parts



## **WARNING:**

To avoid causing unnecessary troubles,  
Please check whether the components with corresponding  
numbers are installed correctly according to the diagram.

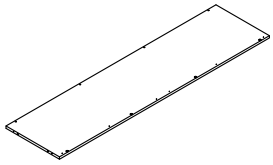
# Parts



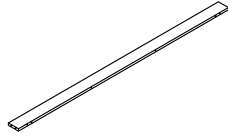
## **WARNING:**

To avoid causing unnecessary troubles,  
Please check whether the components with corresponding  
numbers are installed correctly according to the diagram.

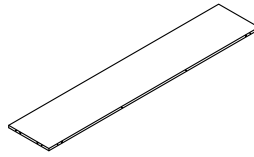
# Parts



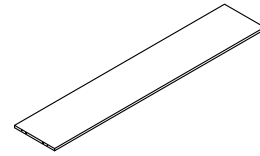
⑨ 1570\*400\*15= 1PCS



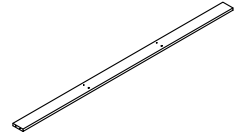
⑩ 1570\*75\*15= 1PCS



⑪ 1570\*300\*15= 1PCS



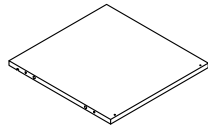
⑫ 1570\*300\*15= 1PCS



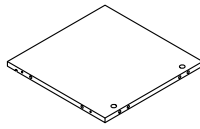
⑬ 1570\*75\*15= 2PCS



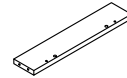
⑭ 370\*50\*15= 2PCS



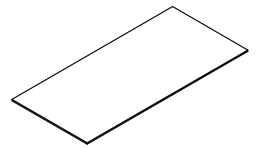
⑮ 365\*380\*15= 2PCS



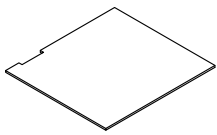
⑯ 365\*365\*15= 2PCS



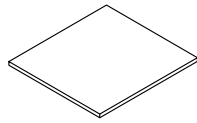
⑰ 365\*75\*15= 2PCS



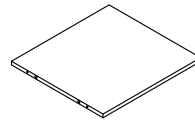
⑱ 801\*375\*5= 4PCS



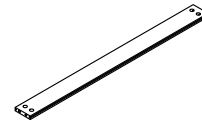
⑲ 408\*375\*5= 2PCS



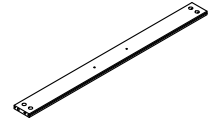
⑳ 363\*340\*12= 4PCS



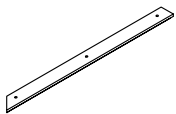
㉑ 365\*342\*12= 4PCS



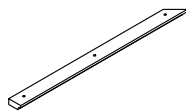
㉒ 887\*75\*15= 2PCS



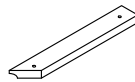
㉓ 887\*75\*15= 2PCS



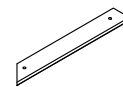
㉕ 830\*60\*25= 1PCS



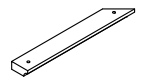
㉖ 830\*60\*25= 1PCS



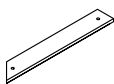
㉗ 420\*60\*25= 1PCS



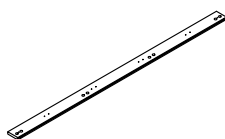
㉘ 420\*60\*25= 1PCS



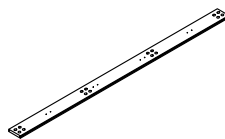
㉙ 400\*60\*25= 2PCS



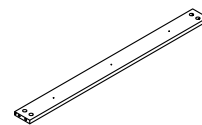
㉚ 400\*60\*25= 2PCS



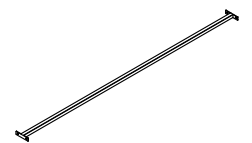
㉛ 1560\*75\*15= 2PCS



㉜ 1560\*86\*15= 1PCS

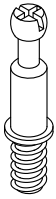


㉝ 887\*75\*15= 4PCS



㉞ 1570\*90\*20= 1PCS

# Hardware



(A)  $\Phi 6*28=$  8PCS



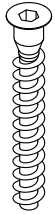
(B)  $\Phi 15*10=$  80+3PCS



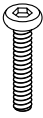
(C)  $\Phi 8*30=$  64+3PCS



(D)  $\Phi 7*40=$  28+1PCS



(E)  $\Phi 7*50=$  44+2PCS



(F)  $M6*20=$  4PCS



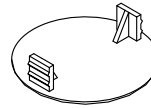
$M8*65=$  4PCS



$29*15*8=$  8PCS

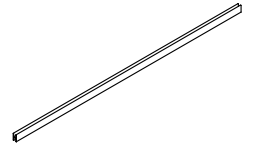


$M8=$  8PCS

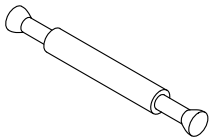


$\Phi 38=$  8PCS

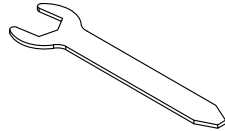
(G)



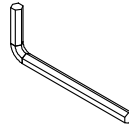
(H)  $5mm*363=$  4PCS



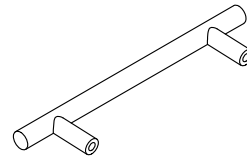
(J)  $\Phi 6*48=$  36+2PCS



(K)  $14mm=$  2PCS



(L)  $4mm=$  1PCS



$\Phi 12*250*32=$  2PCS

(M)



$\Phi 4*25=$  4PCS



$13*15=$  28+1PCS

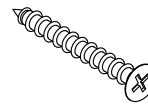
(N)



$\Phi 3*14=$  28+1PCS

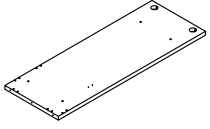


(P)  $16*11=$  16+1PCS

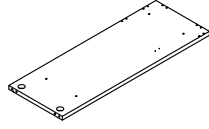


(Q)  $\Phi 4*25=$  18+1PCS

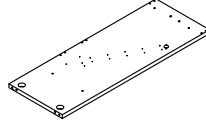
# Parts



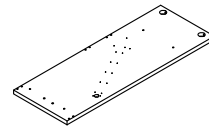
① 1100\*400\*25= 1PCS



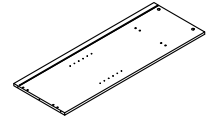
② 1100\*400\*25= 1PCS



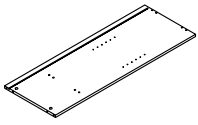
③ 1100\*400\*25= 1PCS



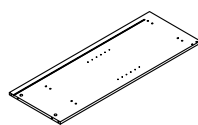
④ 1100\*400\*25= 1PCS



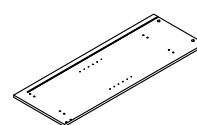
⑤ 1047.5\*380\*15= 1PCS



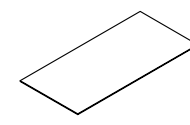
⑥ 1047.5\*380\*15= 1PCS



⑦ 1047.5\*380\*15= 1PCS

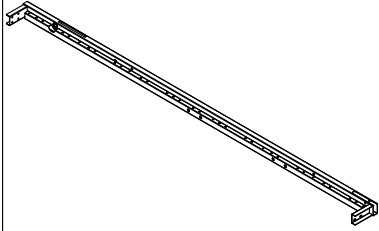


⑧ 1047.5\*380\*15= 1PCS

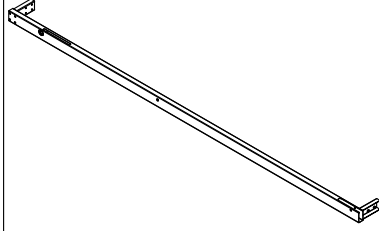


②④ 897\*430\*5= 6PCS

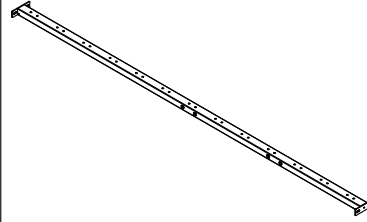
# Hardware



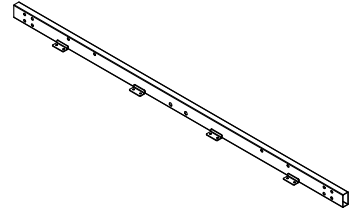
③⑨ 2010\*125\*50= 1PCS



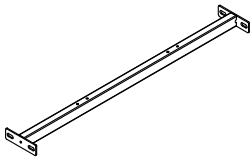
④⑩ 2010\*125\*50= 1PCS



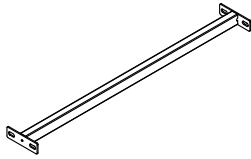
④① 1956\*100\*30= 1PCS



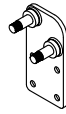
④② 1505\*50\*49= 2PCS



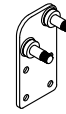
④④ 709\*100\*30= 2PCS



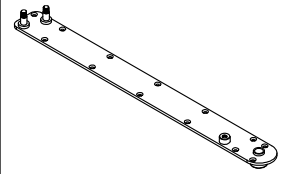
④⑤ 709\*100\*30= 2PCS



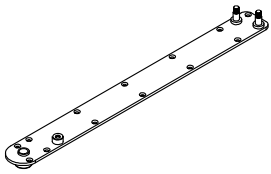
④⑥ 93\*45\*33= 1PCS



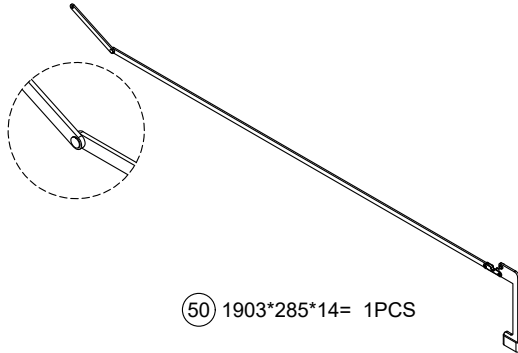
④⑦ 93\*45\*33= 1PCS



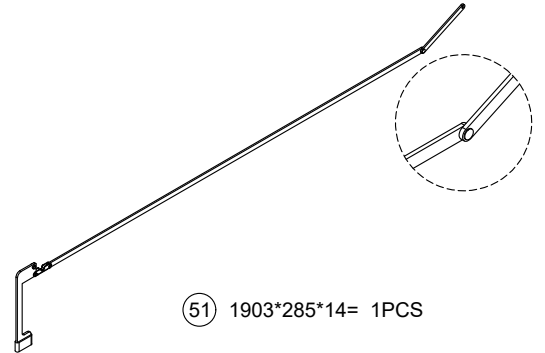
④⑧ 500\*50\*33= 1PCS



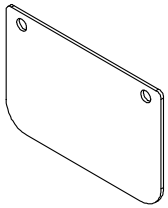
④⑨ 500\*50\*33= 1PCS



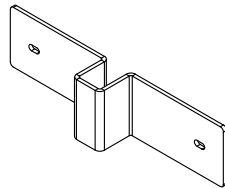
⑤⑩ 1903\*285\*14= 1PCS



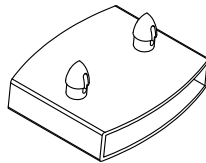
⑤① 1903\*285\*14= 1PCS



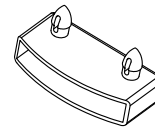
⑤② 150\*100\*2.5= 2PCS



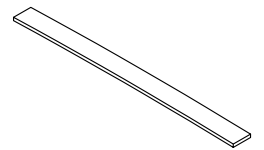
⑤③ 206\*50\*33= 2PCS



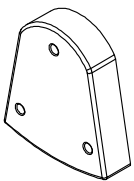
⑤④ 57\*48\*26.5= 13PCS



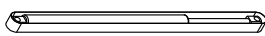
⑤⑤ 57\*29\*27= 26PCS



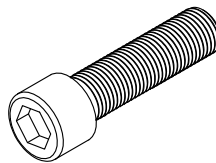
⑤⑥ 744\*52\*9= 26PCS



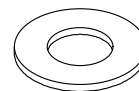
⑤⑦ 144\*123\*33= 2PCS



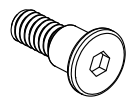
⑤⑧ 605\*22= 4PCS



⑤⑨ M12\*45= 2PCS

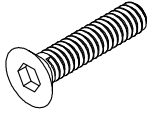


⑥⑩ Φ12\*24\*1.5= 2PCS

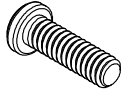


⑥① 7.8\*M6\*19= 2PCS

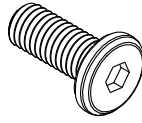
# Hardware



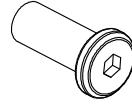
⑥2 M6\*20= 8PCS



⑥3 M6\*20= 28+1PCS



⑥4 M8\*20= 20+1PCS



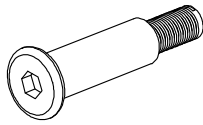
⑥5 M6\*20\*Φ8= 4PCS



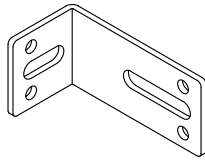
⑥6 M6= 2PCS



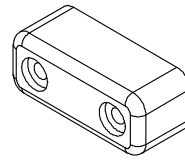
⑥7 M8= 8PCS



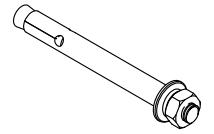
⑥8 7.8\*M6\*35= 2PCS



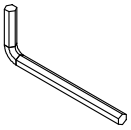
⑥9 89\*36\*25= 4PCS



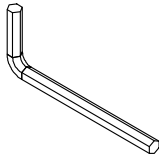
⑦0 50\*20\*20= 2PCS



⑦1 M8\*100= 8PCS



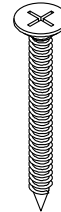
⑦2 4mm= 1PCS



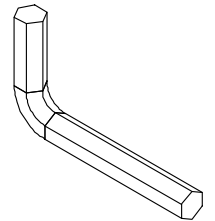
⑦3 5mm= 1PCS



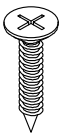
⑦4 M4\*16= 16+1PCS



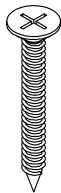
⑦5 M4\*42= 24+2PCS



⑦6 10mm= 1PCS



⑦7 M4\*20= 26+2PCS

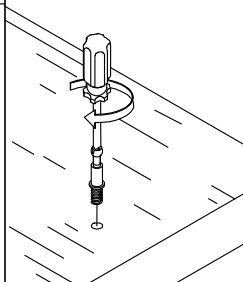


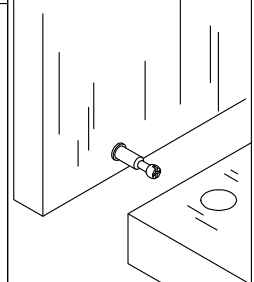
⑦8 M4\*35= 10+1PCS

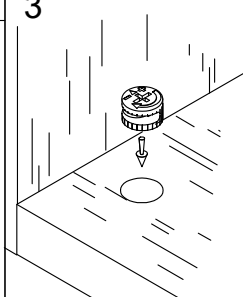


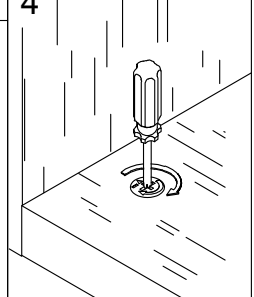
⑦9 = 2PCS

# Using Camlocks(Single head cam)

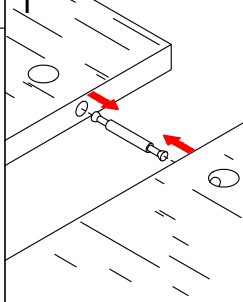
<p><b>Step 1</b></p> <p>Connect the male camlock as directed in the assembly instructions using a screwdriver.</p>	<p>1</p> 
--	--

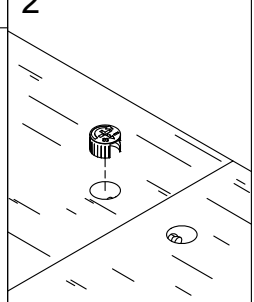
<p><b>Step 2</b></p> <p>Push the male camlock into the entry hole.</p>	<p>2</p> 
--	--

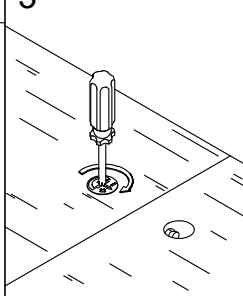
<p><b>Step 3</b></p> <p>Insert the female camlock as shown in the instruction.</p> <p>Note: ensure that the arrow on the top of the camlock points towards the entry hole for the male camlock.</p>	<p>3</p> 
---	--

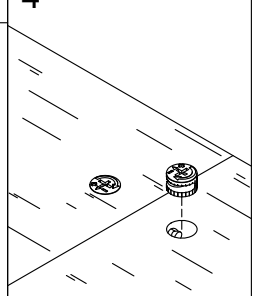
<p><b>Step 4</b></p> <p>Turn the female camlock 180 degrees clockwise with a screwdriver to complete the locking.</p>	<p>4</p> 
---	--

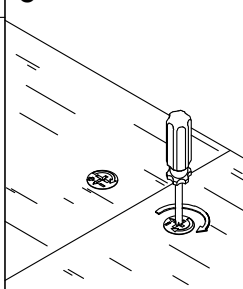
# Using Camlocks(double heads cam)

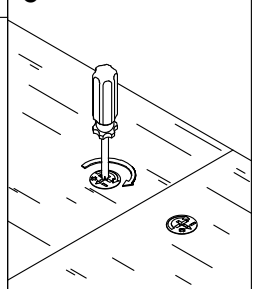
<p><b>Step 1</b></p> <p>Push the male camlock into the entry hole as instructed in the assembly manual, ensuring that the exposed portions at both ends of the male camlock are even.</p>	<p>1</p> 
---	--

<p><b>Step 2</b></p> <p>Insert the female camlock at one end first as shown in the instruction.</p> <p>Note: ensure that the arrow on the top of the camlock points towards the entry hole for the male camlock.</p>	<p>2</p> 
--	--

<p><b>Step 3</b></p> <p>Gently turn the placed female camlock 90 degrees clockwise with a screwdriver (it is necessary to ensure that the exposed part of the other end of the male camlock remains unchanged).</p>	<p>3</p> 
---	--

<p><b>Step 4</b></p> <p>Insert the female camlock into the other end as shown in the instruction.</p> <p>Note: ensure that the arrow on the top of the camlock points towards the entry hole for the male camlock.</p>	<p>4</p> 
--	--

<p><b>Step 5</b></p> <p>Turn the female camlock 180 degrees clockwise with a screwdriver to complete the locking.</p>	<p>5</p> 
---	--

<p><b>Step 6</b></p> <p>Turn the previously placed female camlock an additional 90 degrees clockwise with a screwdriver to complete the locking.</p>	<p>6</p> 
--	--

# STEP 1

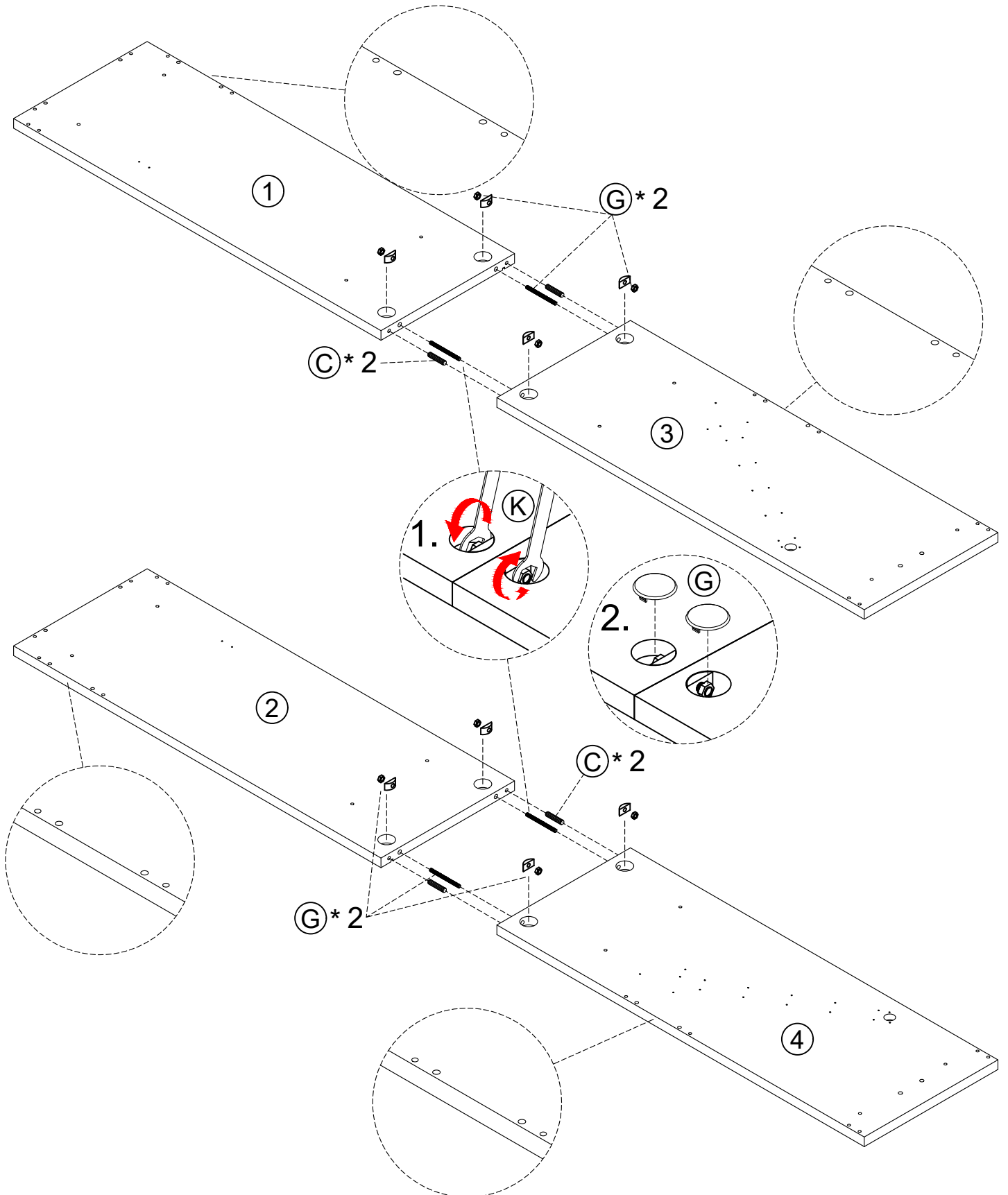
①\*1 ②\*1 ③\*1 ④\*1 ①G\*4 ①C\*4

①K\*2

## ATTENTION:

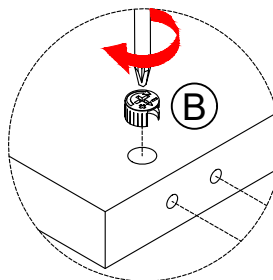
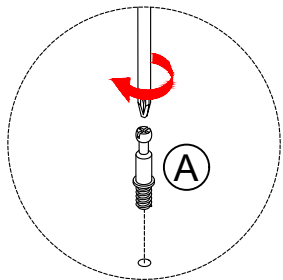
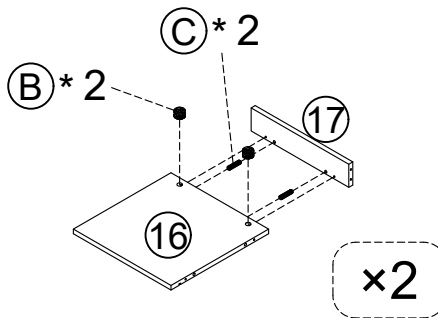
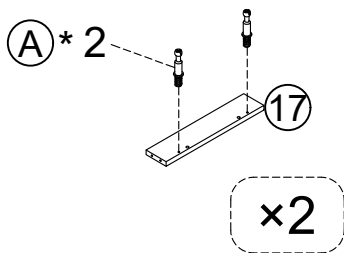
This step involves similar panel components. To prevent assembly errors, please carefully verify the positional relationship of the hole positions in the enlarged diagram.

Also make sure that 1# attaches to 3#, and 2# attaches 4#.



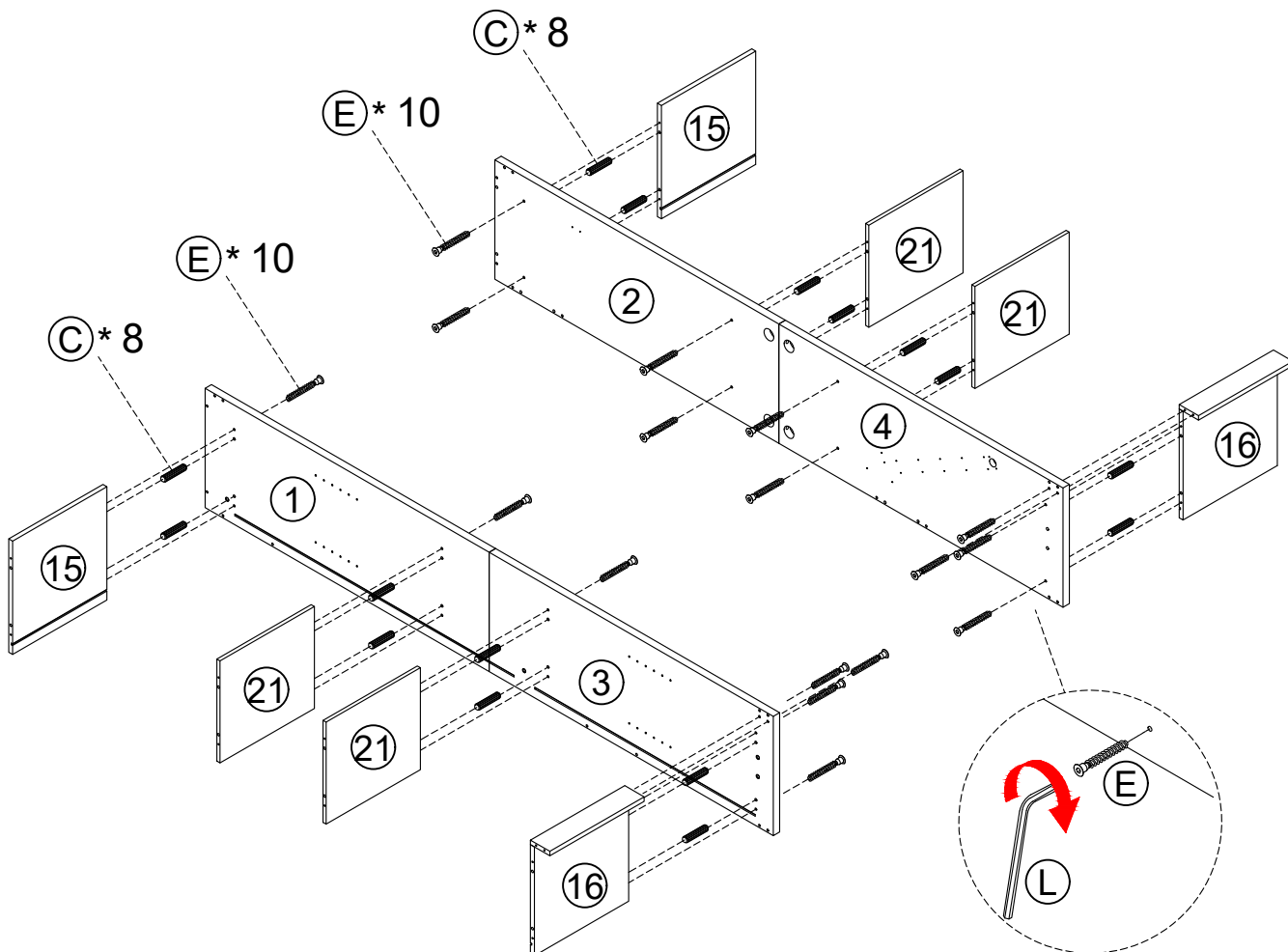
# STEP 2

①⑥\*2 ①⑦\*2 ①A\*4 ①B\*4 ①C\*4



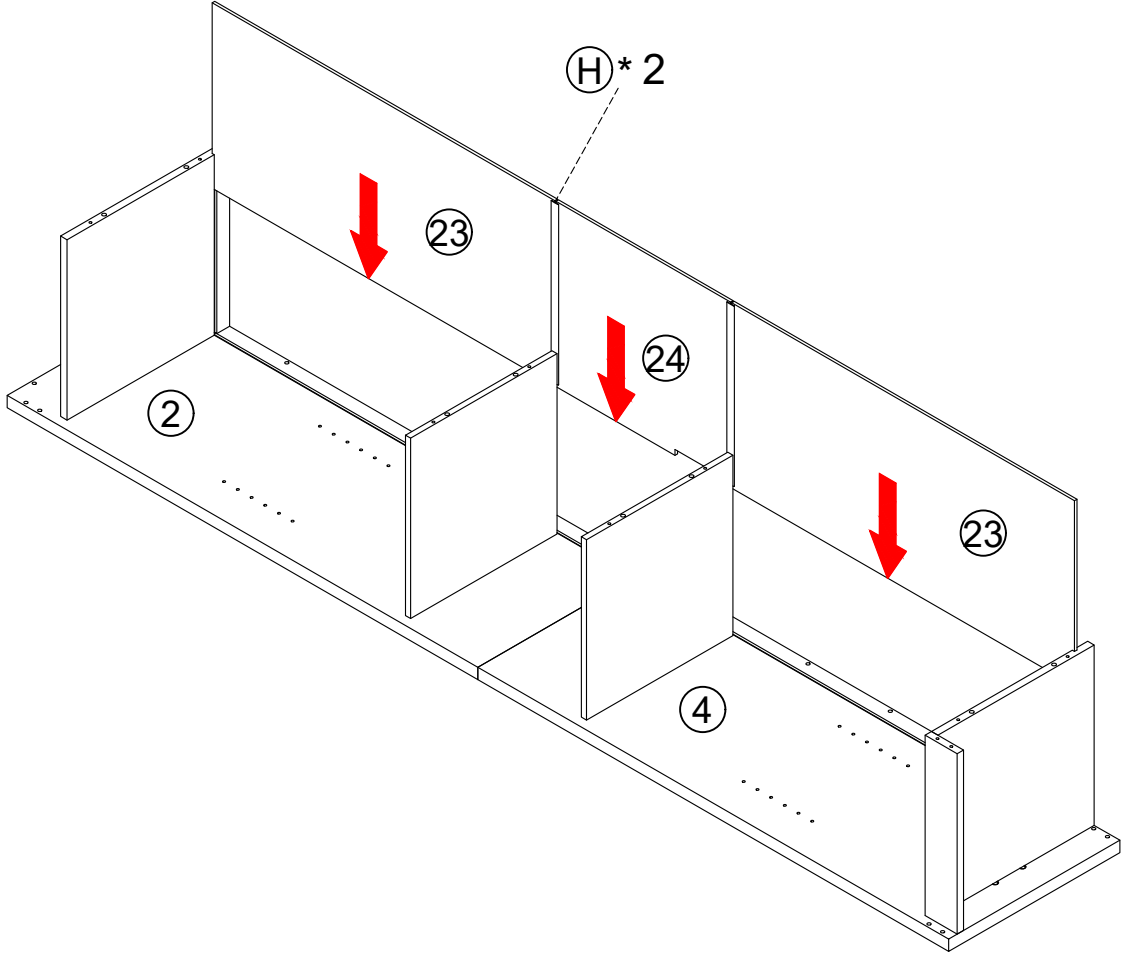
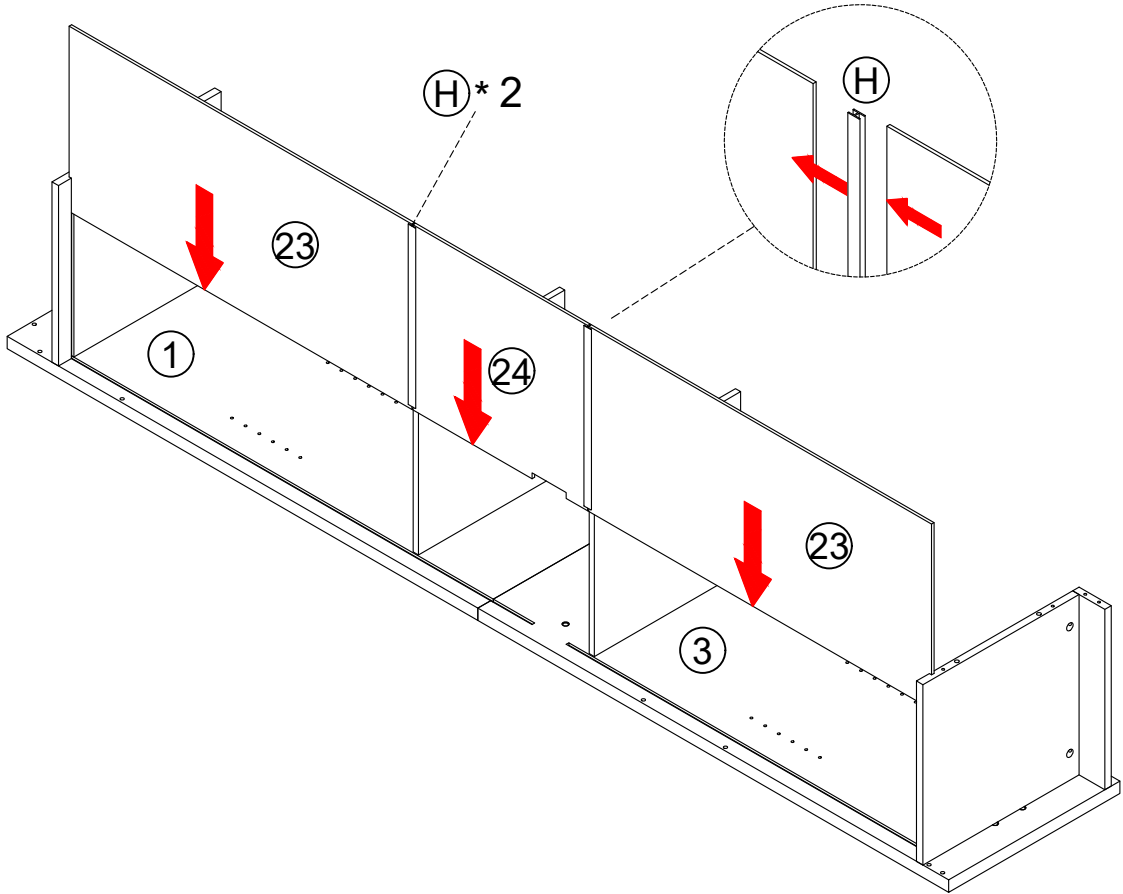
①⑤\*2 ②①\*4 ①C\*16 ①E\*20

①L\*1



# STEP 3

Ⓜ23\*4   Ⓜ24\*2   ⓂH\*4



# STEP4

⑤\*1 ⑥\*1 ⑦\*1 ⑧\*1 J\*4 C\*4 B\*8

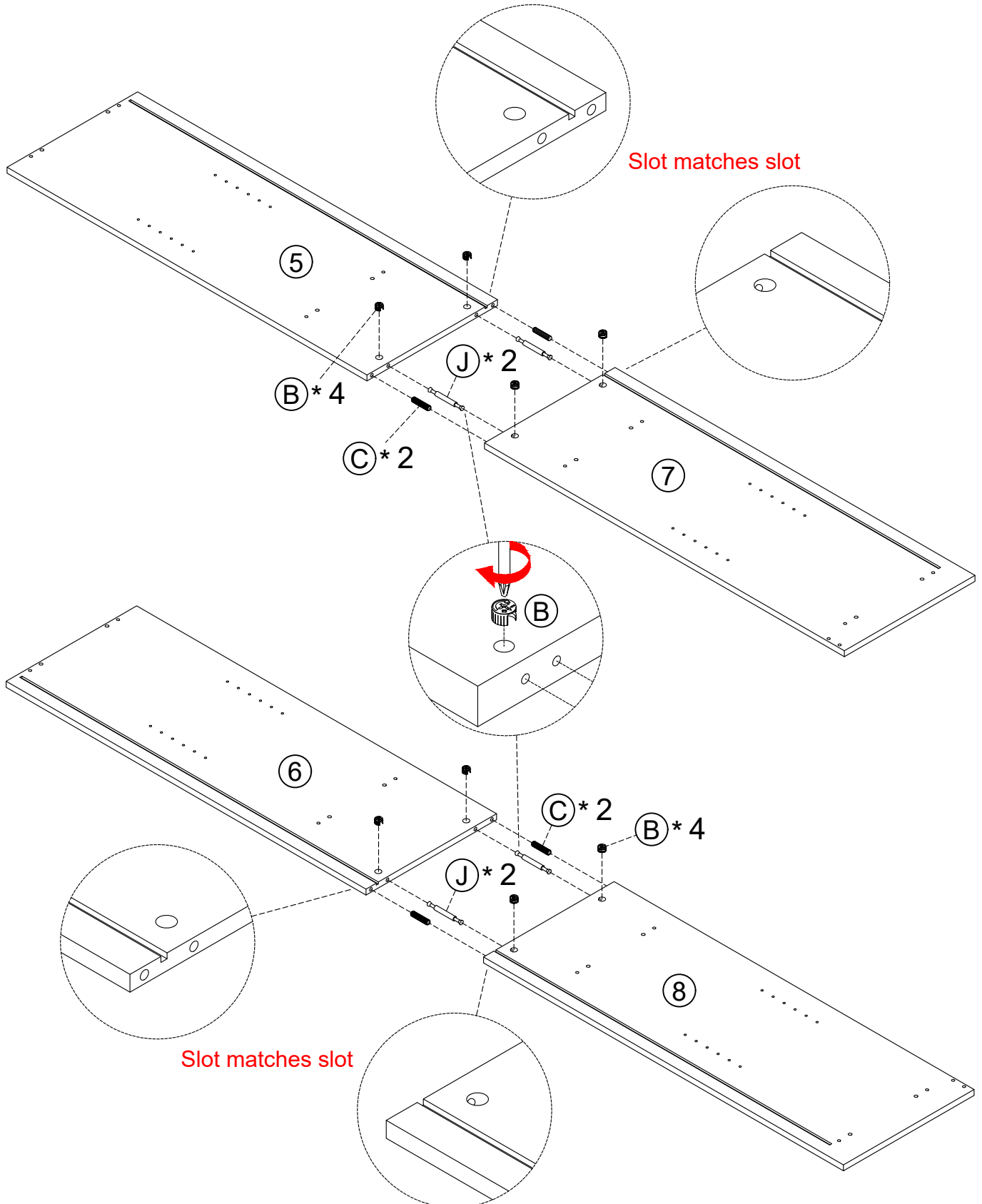
## ATTENTION:

This step involves similar panel components. To prevent assembly errors, please carefully verify the positional relationship of the hole positions in the enlarged diagram.

Also make sure that 5# attaches to 7#, and 6# attaches 8#.



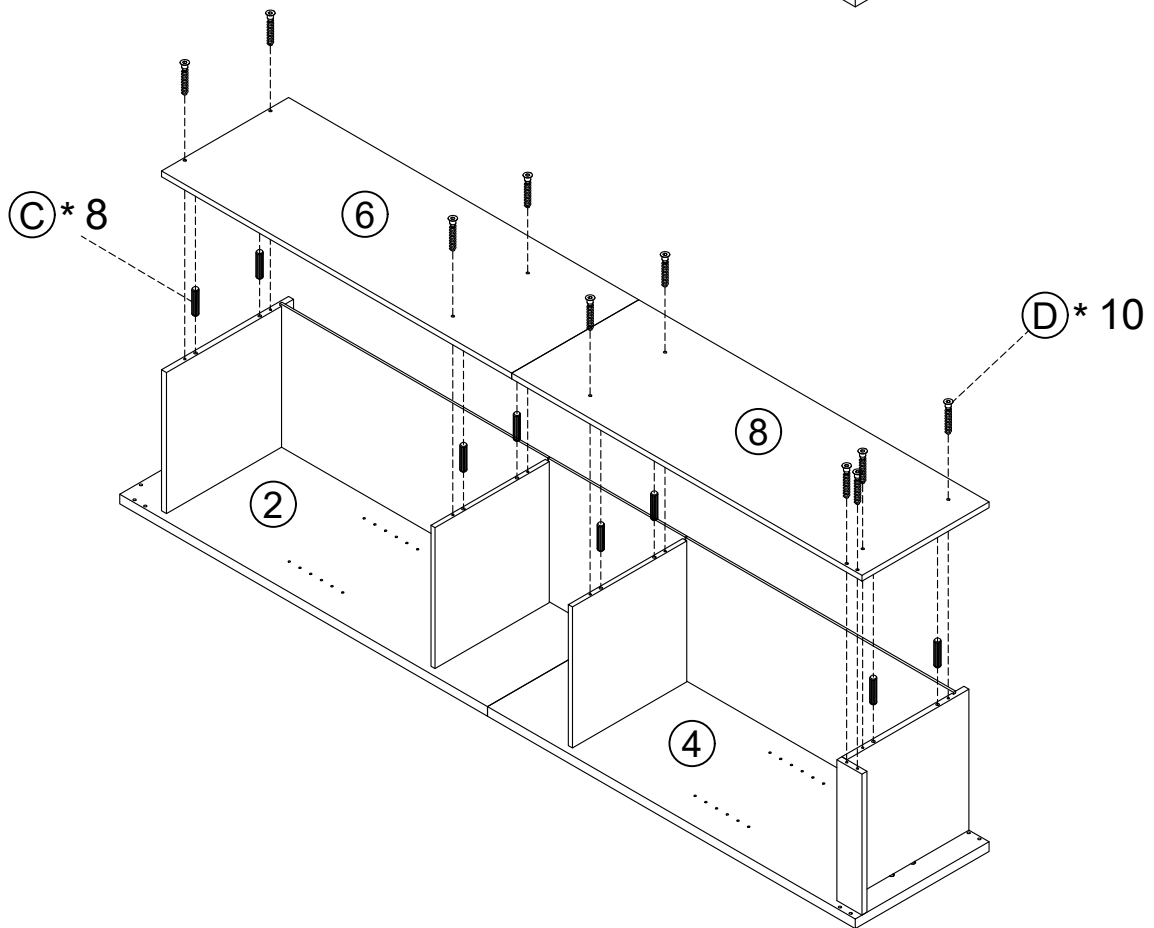
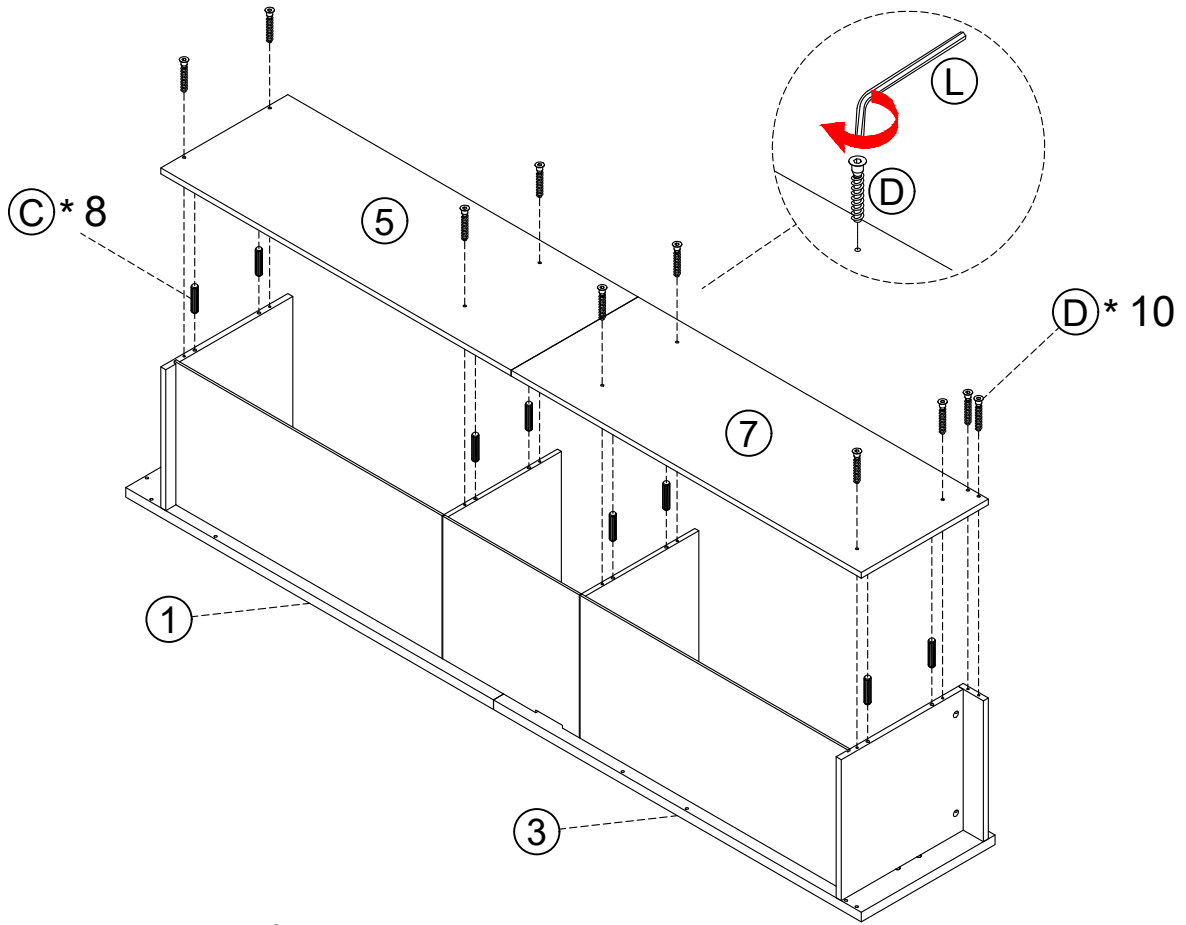
Tools Required



# STEP 5

ⓐ \* 16   ⓓ \* 20

Ⓛ \* 1



# STEP6

⑨\*1 ⑩\*1 ⑪\*1 ③\*4 ④\*8

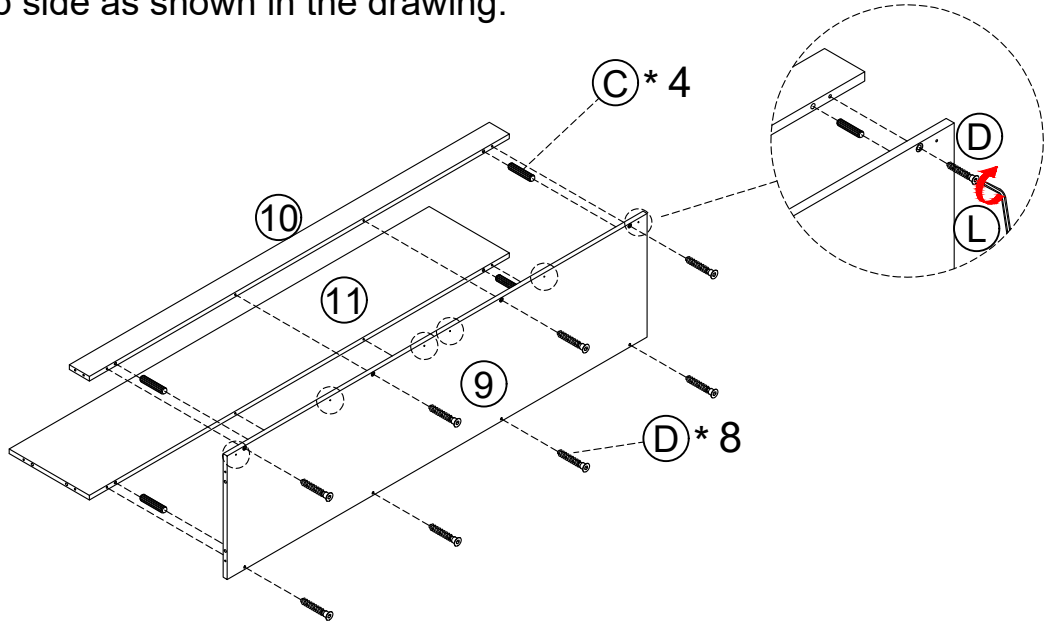
①\*1

## ATTENTION:

This step is easy to get installation errors.

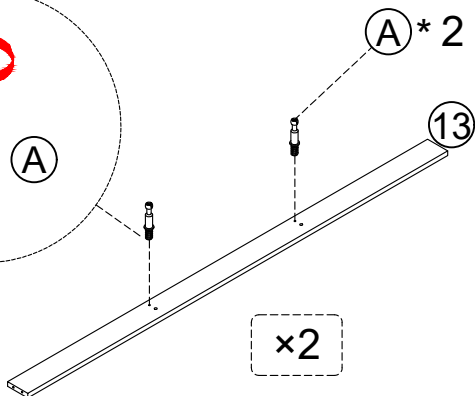
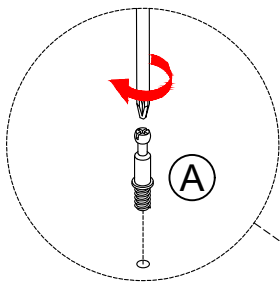
Please carefully check the positional relationship among panel 9#, panel 10#, and panel 11#.

Please take note that the edge which has 6 small guide holes on 9# shall be up side as shown in the drawing.

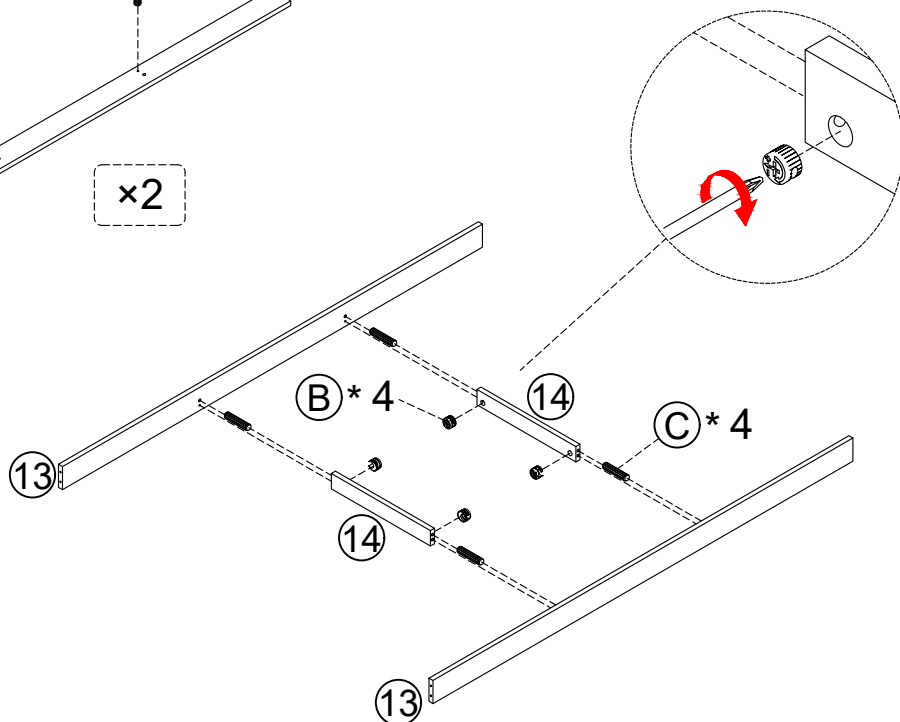


# STEP7

⑬\*2 ⑭\*2 ⑤\*4 ⑥\*4 ③\*4



Tools Required



# STEP 8

⑫\* 1   ③⑧\* 1   ③\* 12   ④\* 18   ⑤\* 4

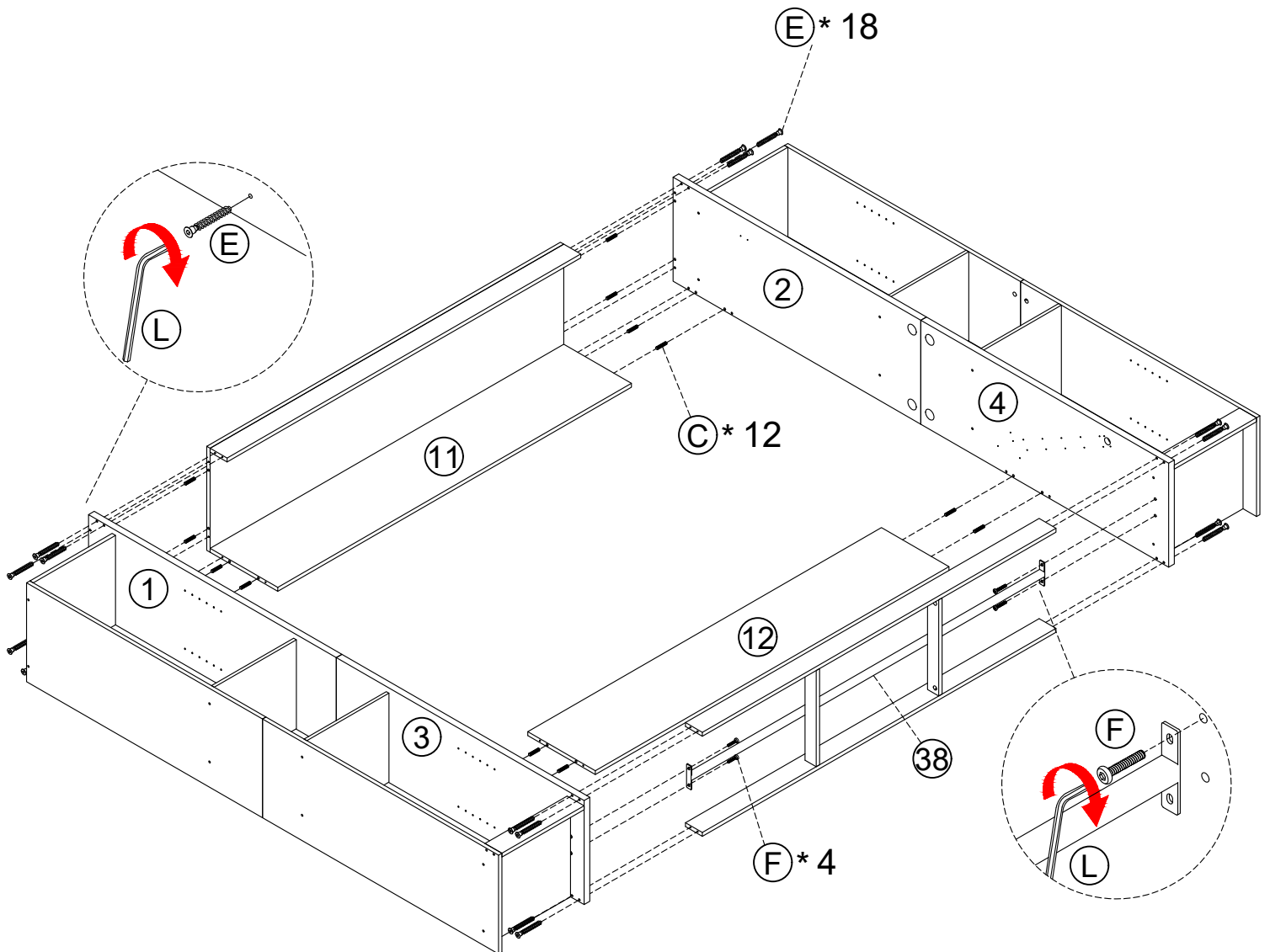
①\* 1

## ATTENTION:

There are quite a few components to be installed in this step.

Please pay attention to checking whether all components are complete!

**Put them together in the right position before fastening the screws!!**

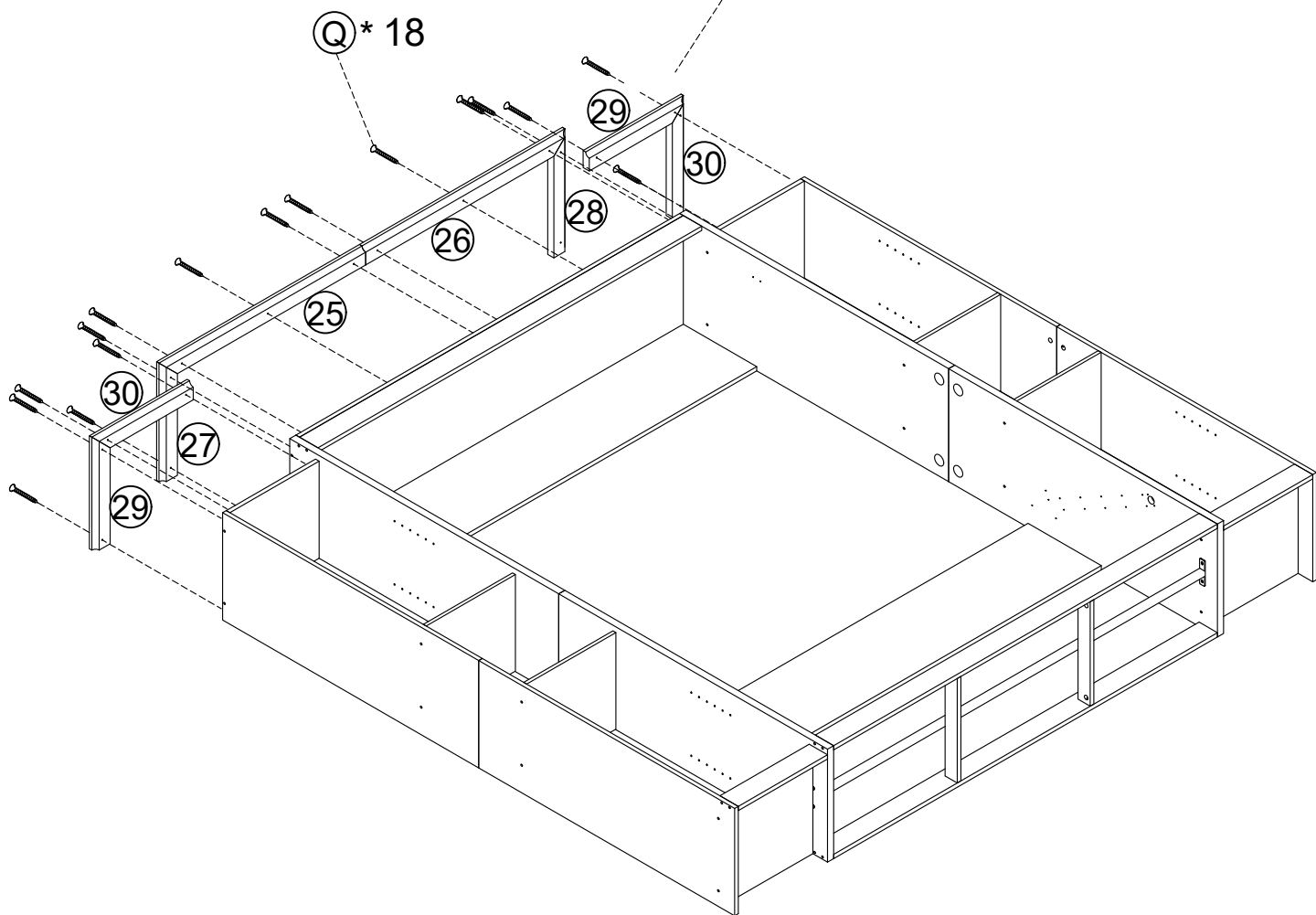
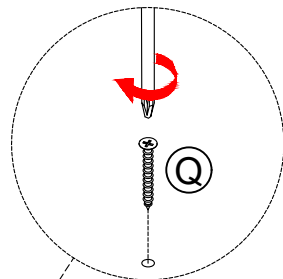


# STEP 9

- ②5\*1
- ②6\*1
- ②7\*1
- ②8\*1
- ②9\*2
- ③0\*2
- Ⓚ\*18



Tools Required

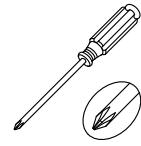


# STEP10

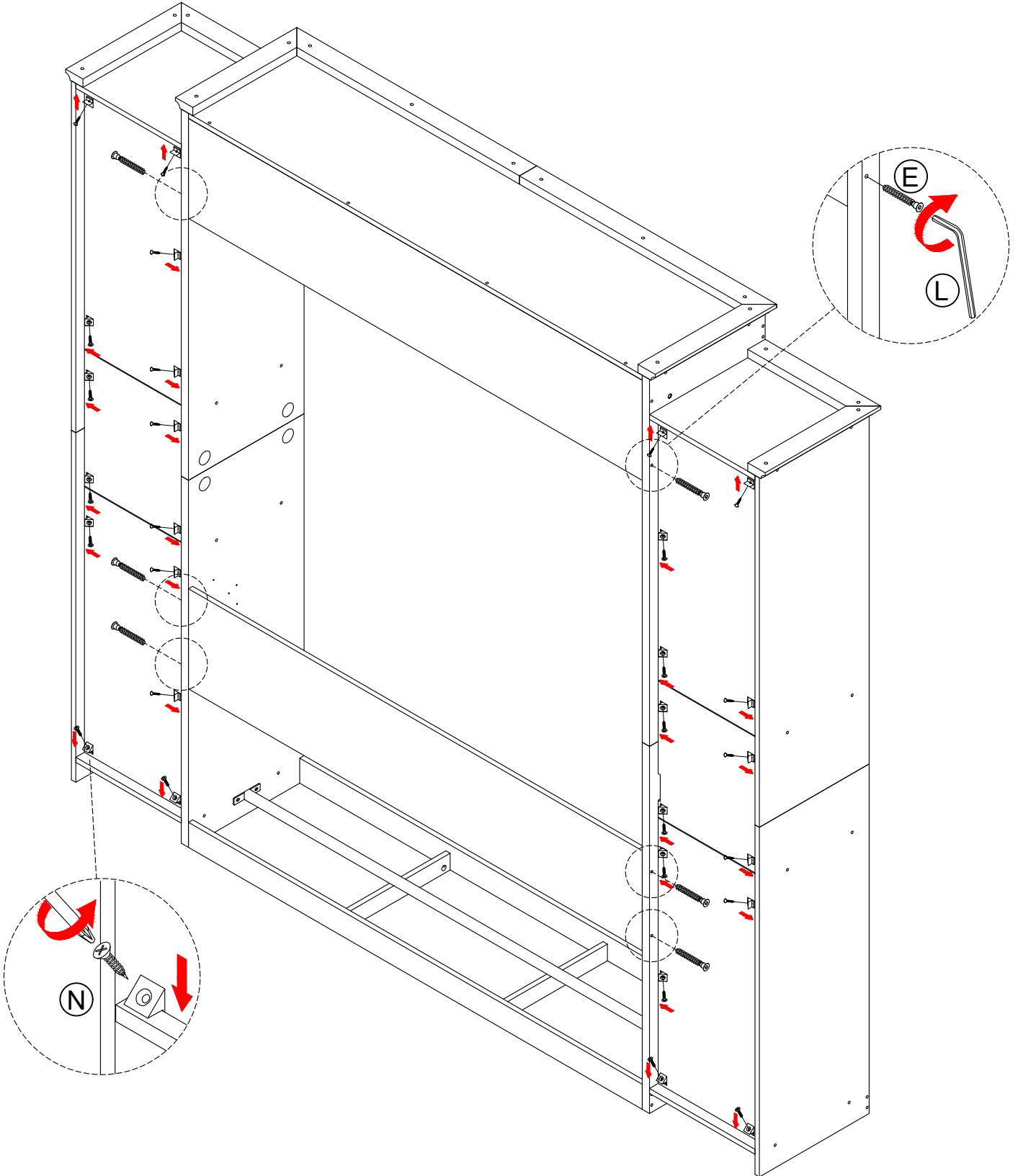
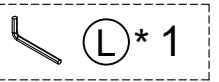
ⓔ\*6 ⓓ\*28

## ATTENTION:

Remember to lock the screws numbered E in these six positions at this step.



Tools Required



# WALL ANCHORING REQUIREMENTS & INSTALLATION RECOMMENDATIONS

Important information to read before starting the assembly.  
Keep this information for future reference.



## IMPORTANT WARNINGS

Risk of serious injuries if the wall bed tips over.

To prevent wall bed from tipping over, mount it permanently to the wall.

Only a qualified person\* must carry out the installation and any possible adjustment of the wall bed (including disassembly). If the wall bed is not firmly mounted (anchored) to the wall, it might tip over and cause serious injuries to the installer, users of the bed as well as the people near the bed.

The choice of wall anchoring depends on the type of wall. Use wall anchors suitable for the wall material.

\* Qualified person: it is necessary to have a good understanding of the wall structure where the bed is anchored, including the positioning of the wall studs and structural components in the case of a wood or metal structure. If you do not have the necessary skills, make sure that the wall anchoring is done by someone who has the qualifications and required knowledge. When you choose the installer, make sure to comply with all applicable regulations in the province, state or country where the furniture is installed.

## IMPORTANT WARNINGS



### INSTALLATION AND APPROPRIATE HARDWARE

Using appropriate hardware, all the anchor screws of the wall bed must be firmly secured to the wood or metal studs, the structural components, or a masonry wall.

Only wall anchor screws for wood-frame walls are provided with this bed.

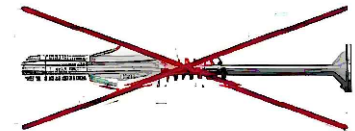
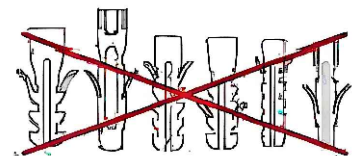
**NEVER USE DRYWALL ANCHOR SCREWS OR SECURE THE BED TO DRYWALL**

See wall anchoring requirements and installation notes provided in the instruction manual, according to the type of wall, and use the appropriate anchors such as described in this manual.

### NUMBER OF SCREWS NEEDED

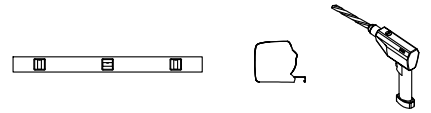
Two (2) screws are required for each anchor point. Four (4) wall anchor points are necessary for the proper installation of the wall bed. So you need a total of eight (8) wall anchor screws.

**THE SCREWS MUST BE VERY WELL ANCHORED TO THE STRUCTURAL COMPONENTS OF THE WALL.**



\*\* A CERTIFIED CONSTRUCTION PROFESSIONAL, IN COMPLIANCE WITH APPLICABLE REGULATIONS IN THE PROVINCE, STATE, OR COUNTRY WHERE THE FURNITURE IS INSTALLED.

# STEP11

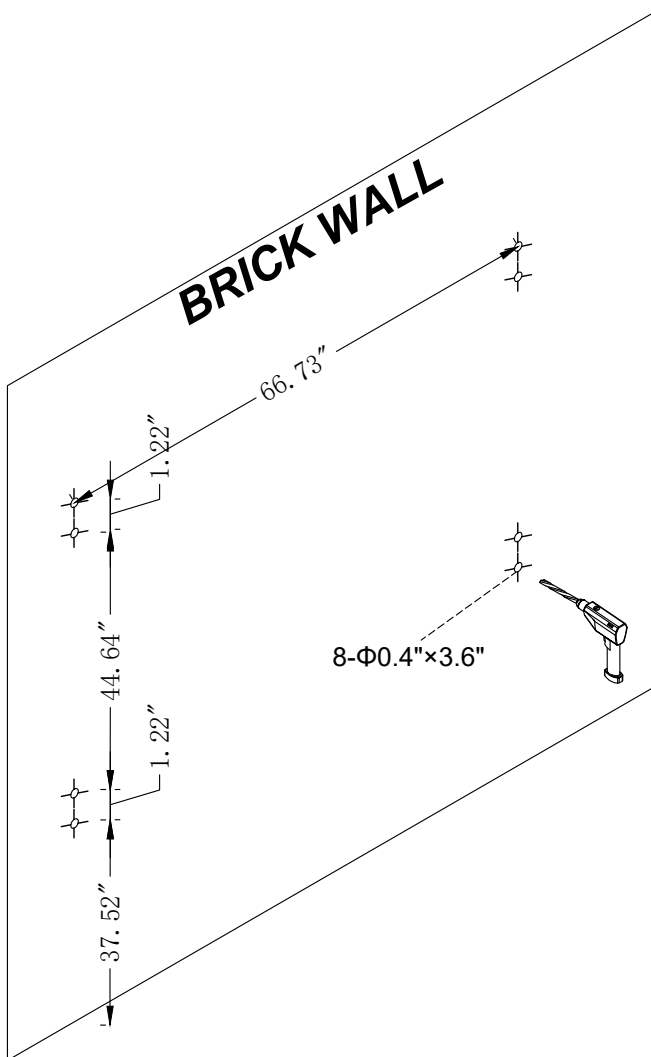


Tools Required



## **WARNING:**

There is a risk of serious injury due to the wall-mounted bed tipping over. To prevent the wall-mounted bed from tipping over, it must be permanently secured to a brick wall. If the wall structure is not masonry, qualified professionals are required to perform the wall anchoring.

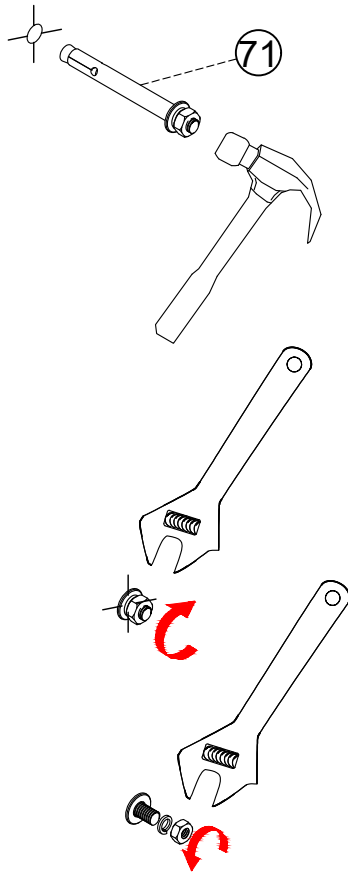


- 1, Use a marker pen, a tape measure, and a spirit level to mark positions on the brick wall according to the positions shown in the diagram. Use an electric drill to create 8 holes at the marked positions, with a diameter of 0.4 inches and a depth of 3.6 inches.

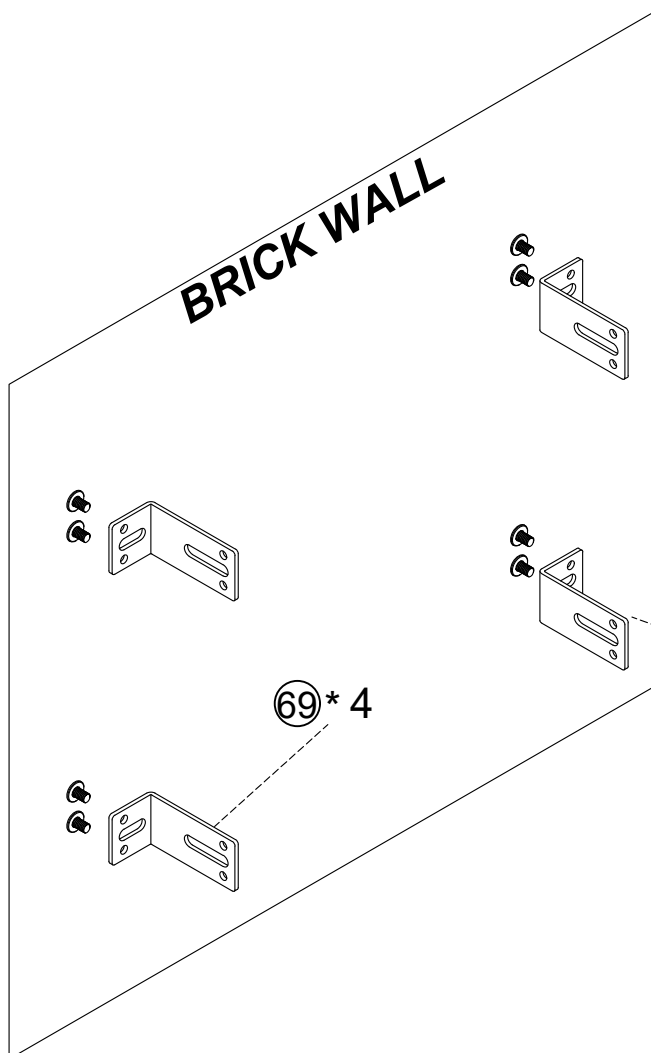
⑥9\*4 ⑦1\*8



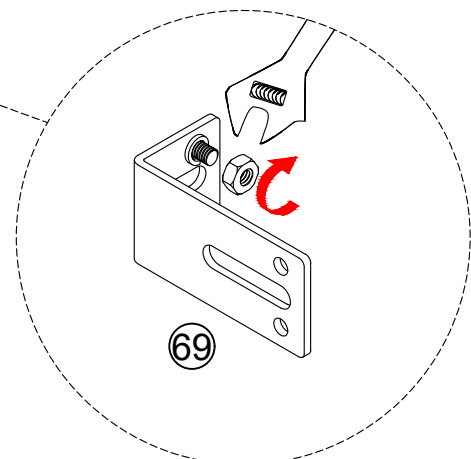
Tools Required



2,  
Gently tap the No. 71 expansion bolts into the holes with a hammer until 0.04 inches are exposed outside. Use an adjustable wrench to tighten the nuts on the expansion bolts clockwise with force. Use an adjustable wrench to remove the nuts and anti - slip washers from the expansion bolts.



3,  
Please install the No. 69 iron part strictly according to the direction shown in the diagram.



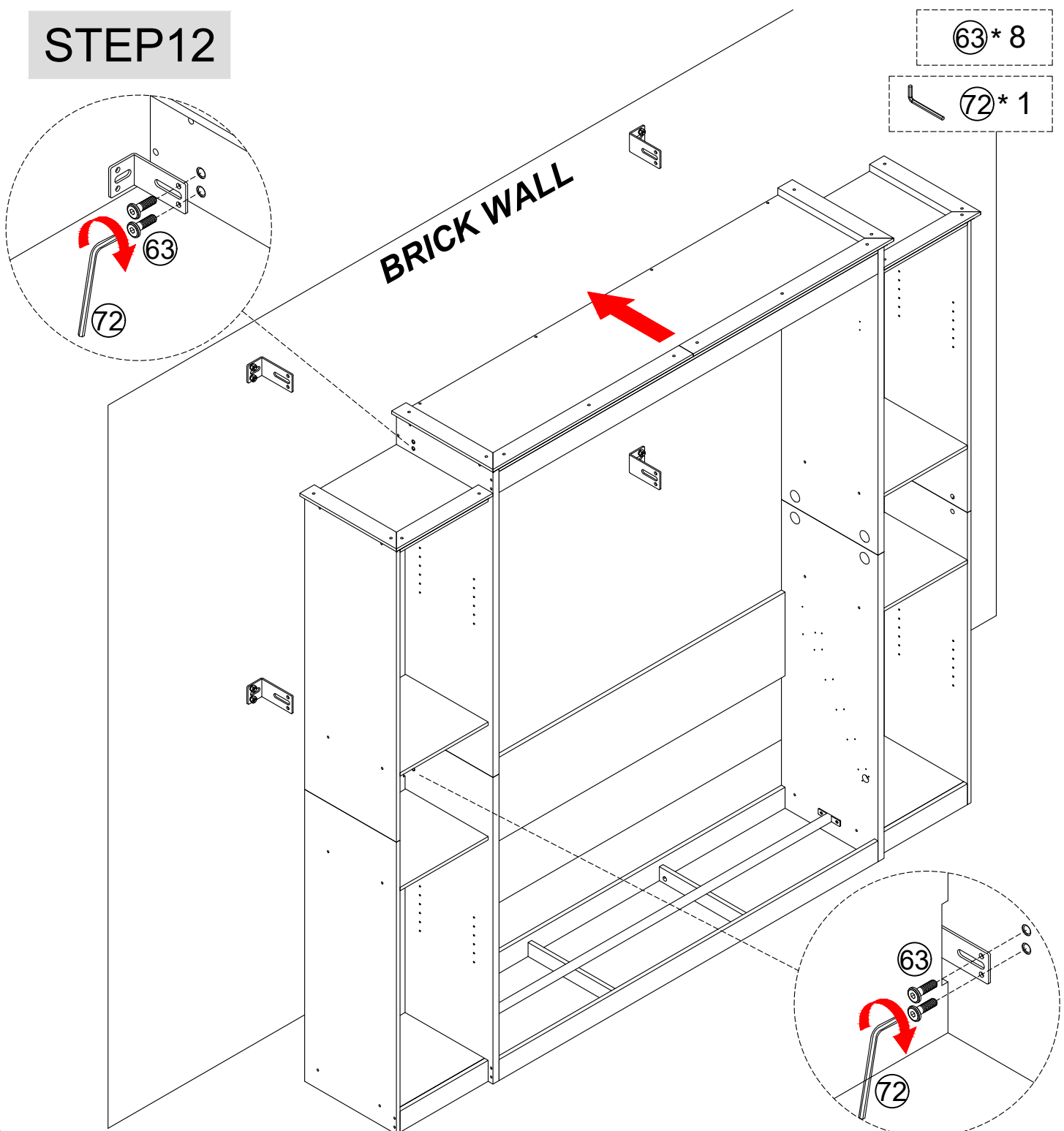


## WARNING

For your safety

This step requires at least 4 people to complete together. One person is responsible for observing and guiding the moving direction of the cabinet body; two people respectively cooperate on both sides of the cabinet body to move it to the accurate position; and one person is responsible for keeping it upright to prevent the cabinet body from tipping over.

### STEP12



# STEP13

②②\* 2   ②③\* 2   ②④\* 6   ③①\* 2   ③②\* 1   ③③\* 4

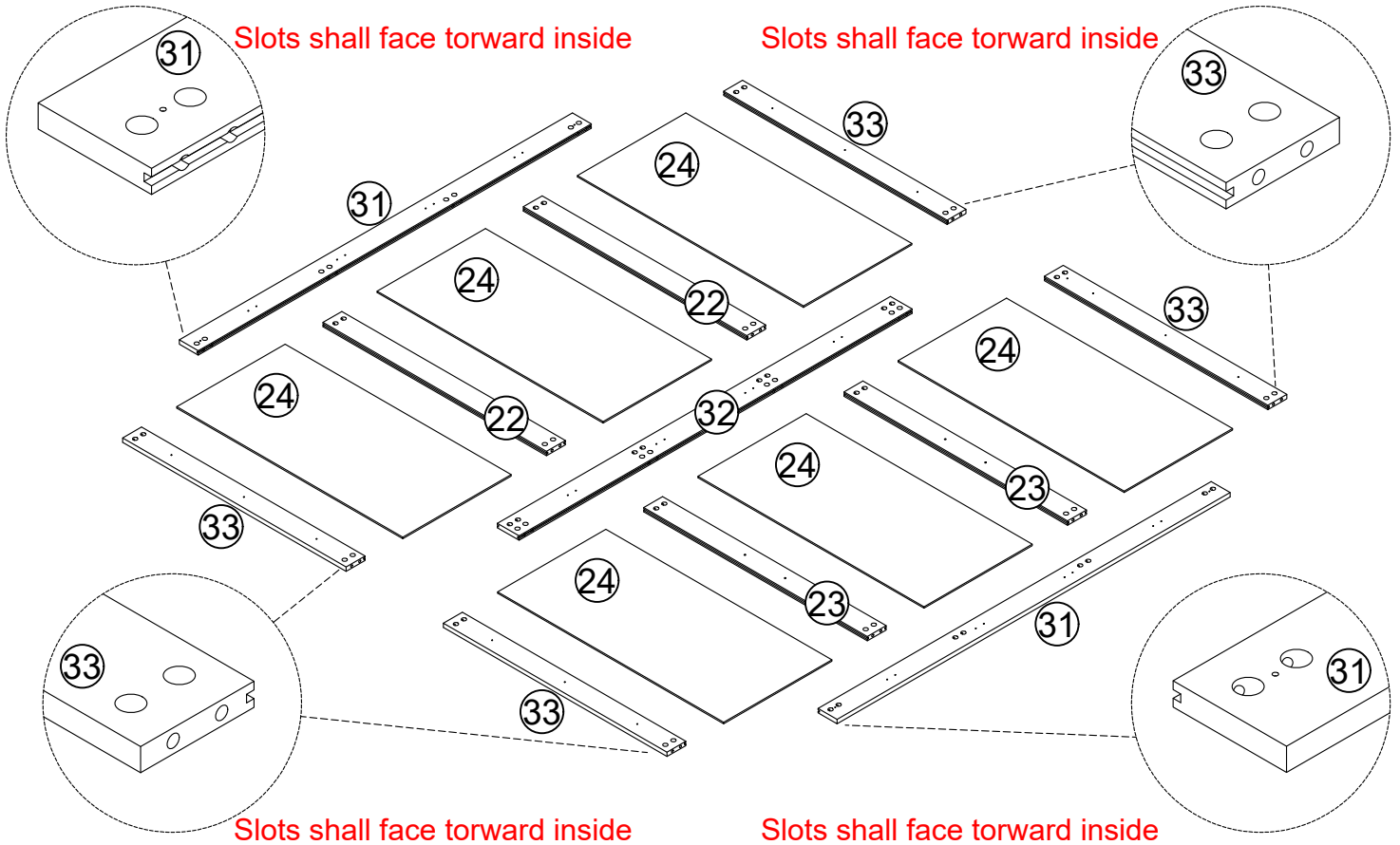
Ⓑ\* 32   ⓐ\* 16

## ATTENTION:

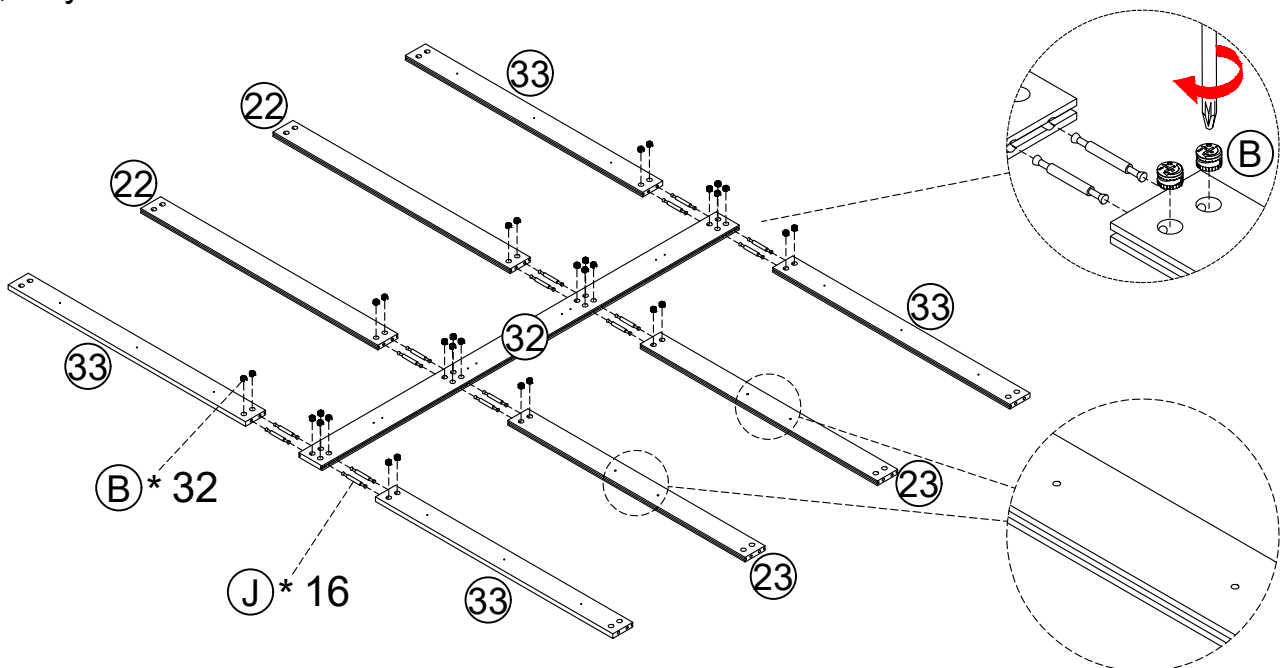
This step involves similar panel components. To prevent assembly errors, please carefully distinguish the installation positions according to the component numbers.



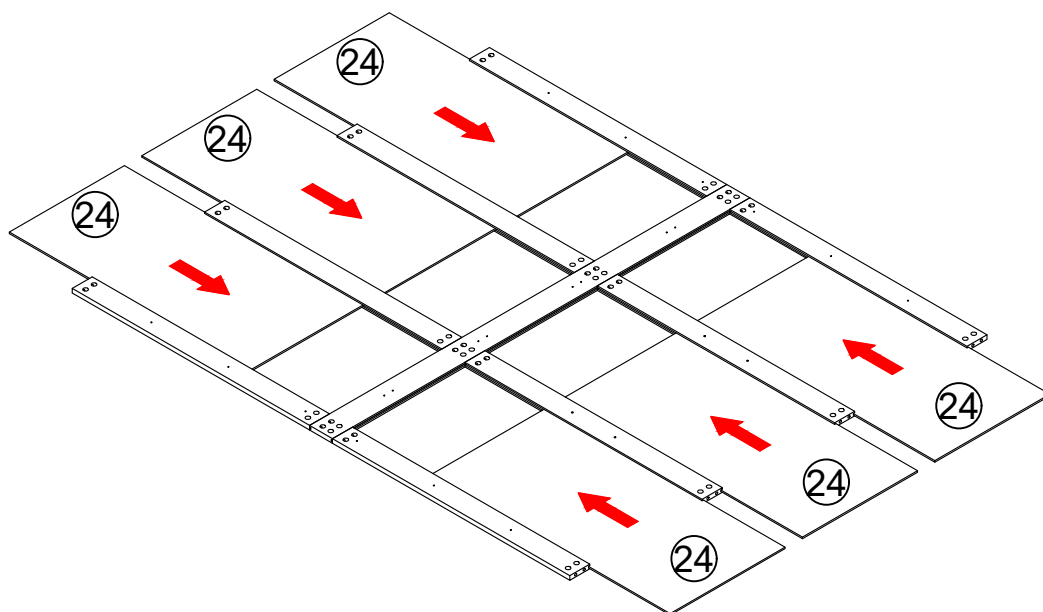
Tools Required



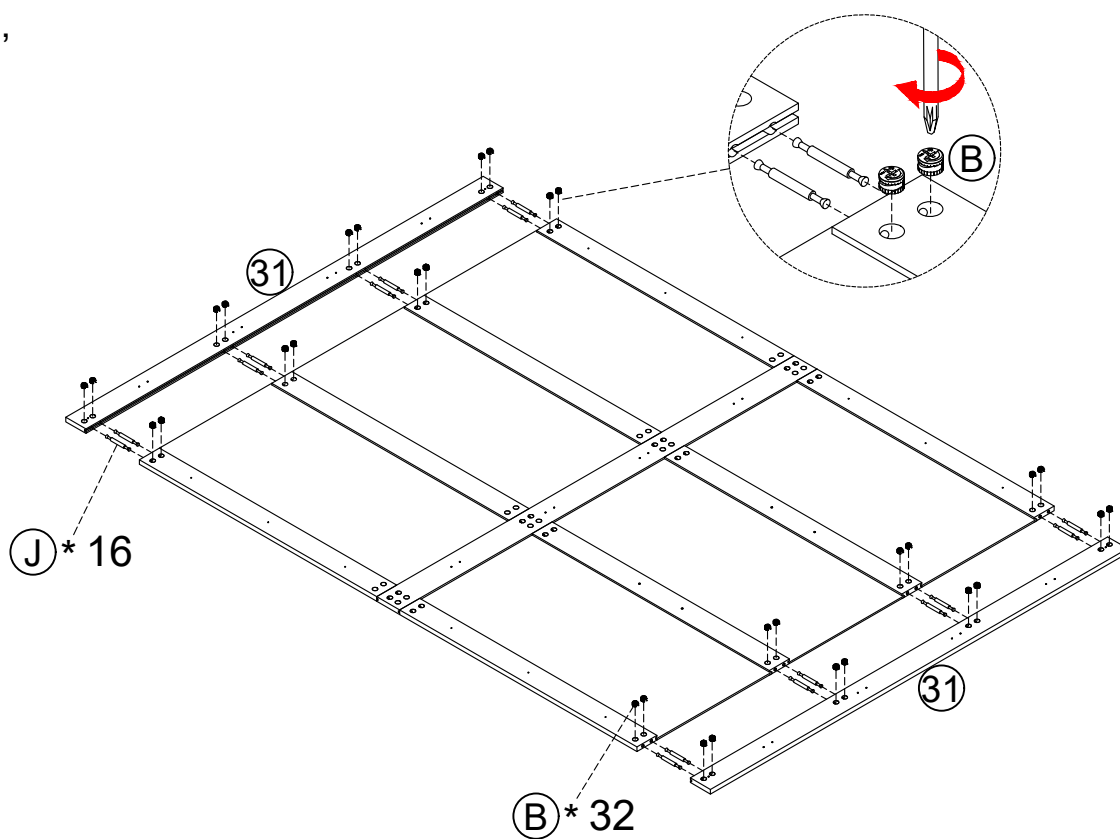
1, Pay attention to the installation direction



2,



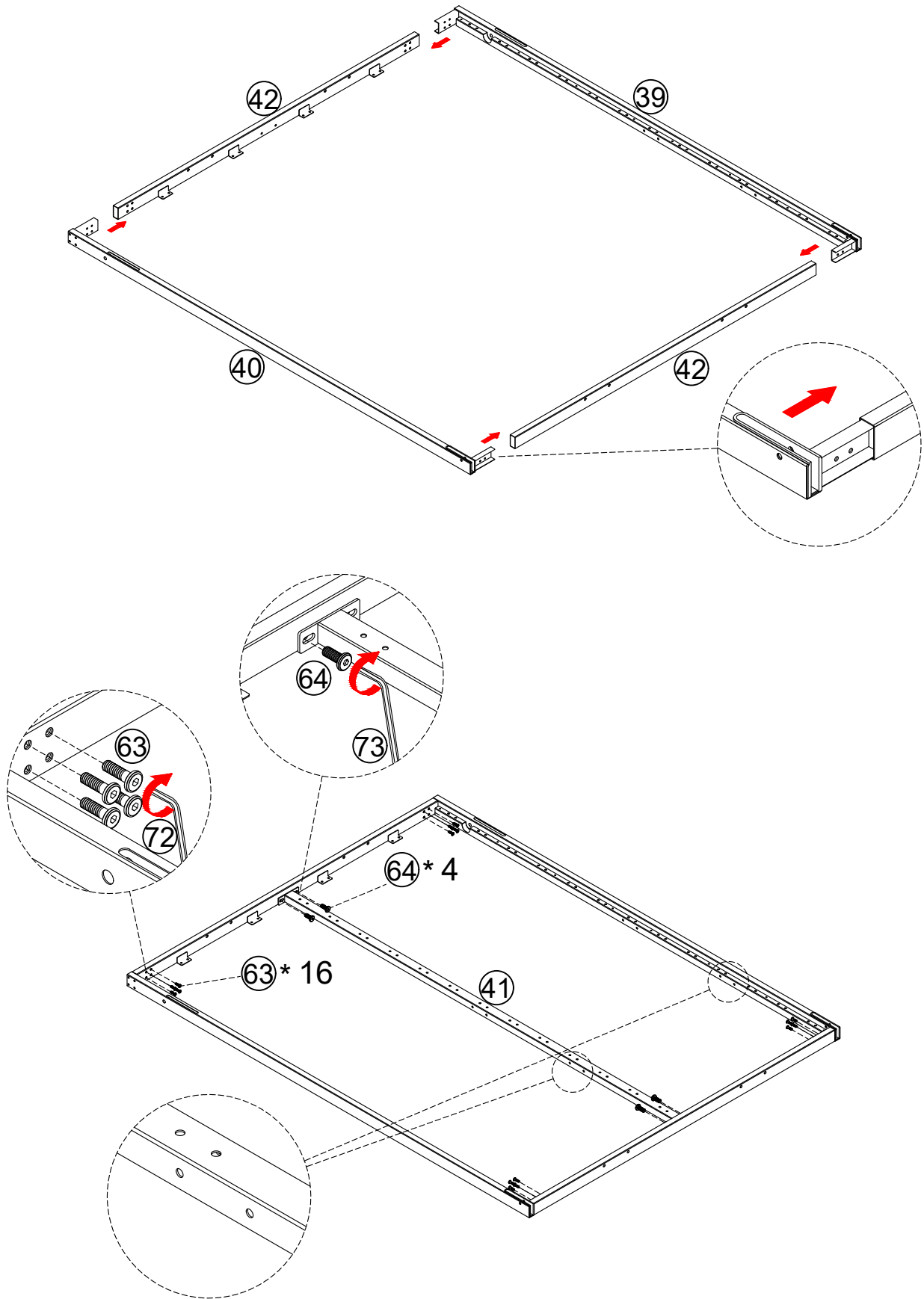
3,



# STEP14

③⑨\* 1 ④⑩\* 1 ④①\* 1 ④②\* 2 ⑥③\* 16 ⑥④\* 4

⑦②\* 1 ⑦③\* 1



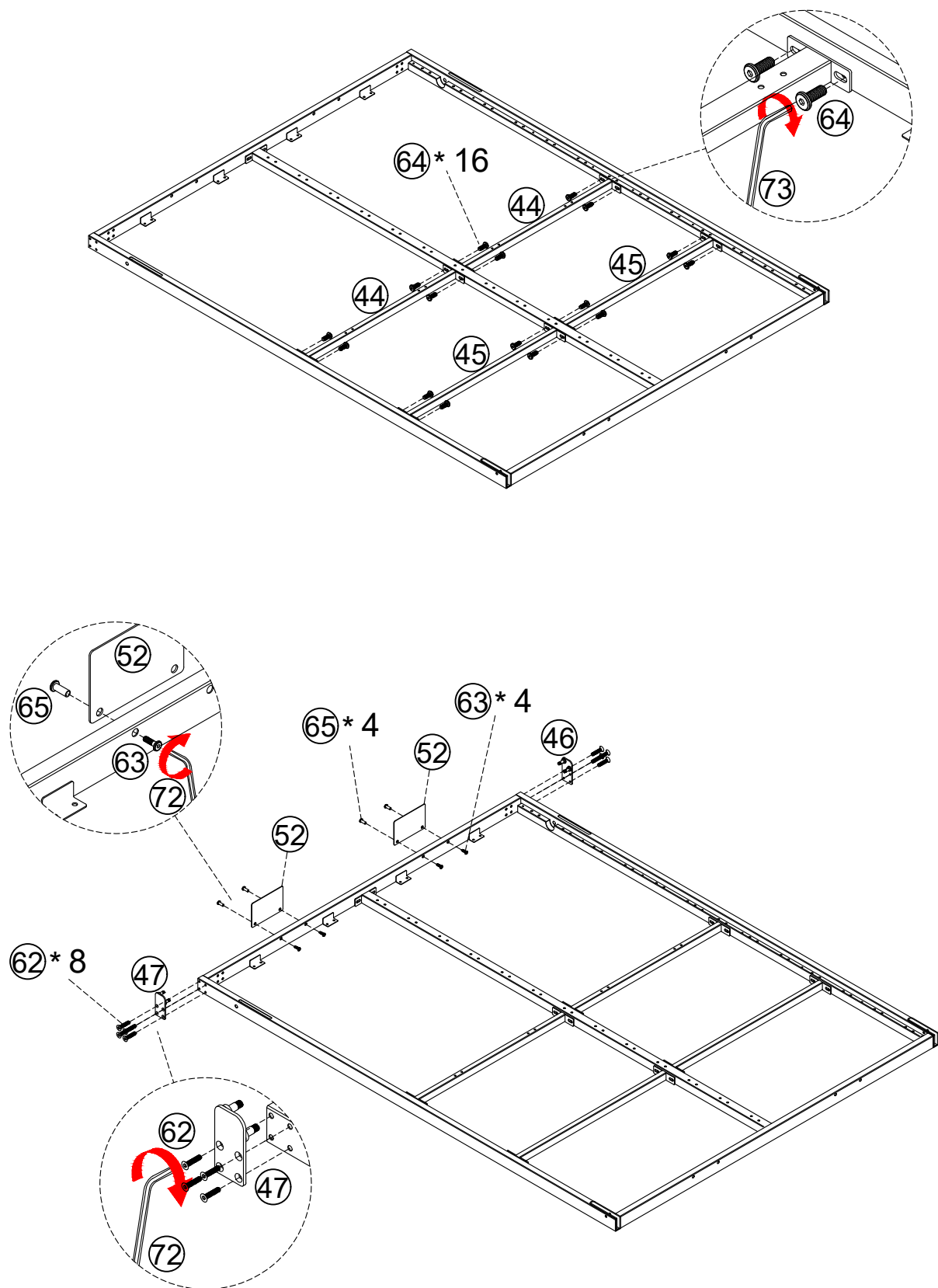
To prevent incorrect installation, please strictly install Panel 41# in the direction shown in the diagram.

# STEP15

④④\*2 ④⑤\*2 ④⑥\*1 ④⑦\*1 ⑤②\*2

⑥②\*8 ⑥③\*4 ⑥④\*16 ⑥⑤\*4

⑦②\*1 ⑦③\*1

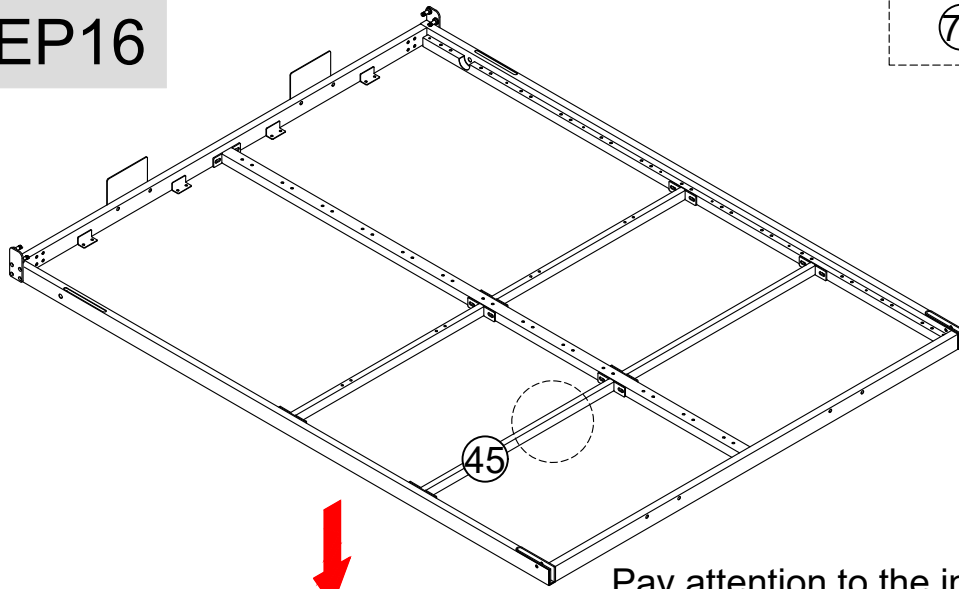


# STEP16

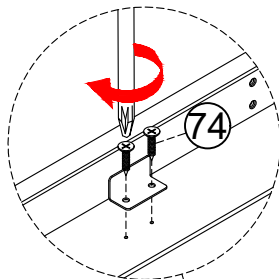
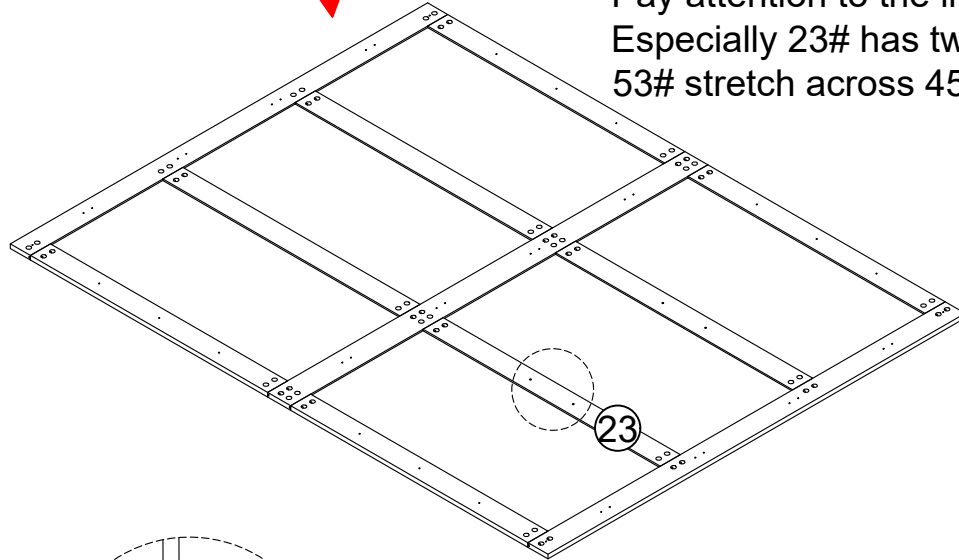
⑦④\* 16    ⑦⑤\* 24



Tools Required

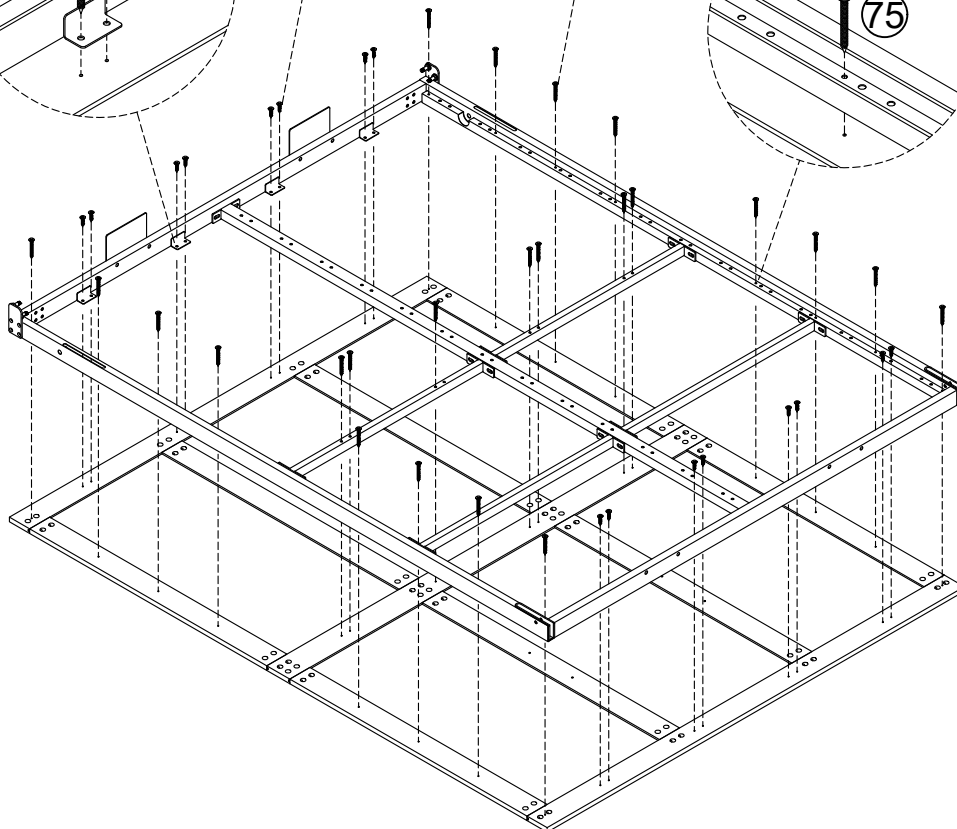
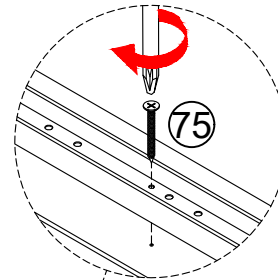


Pay attention to the installation direction.  
Especially 23# has two guide holes to install  
53# stretch across 45#.



⑦④\* 16

⑦⑤\* 24

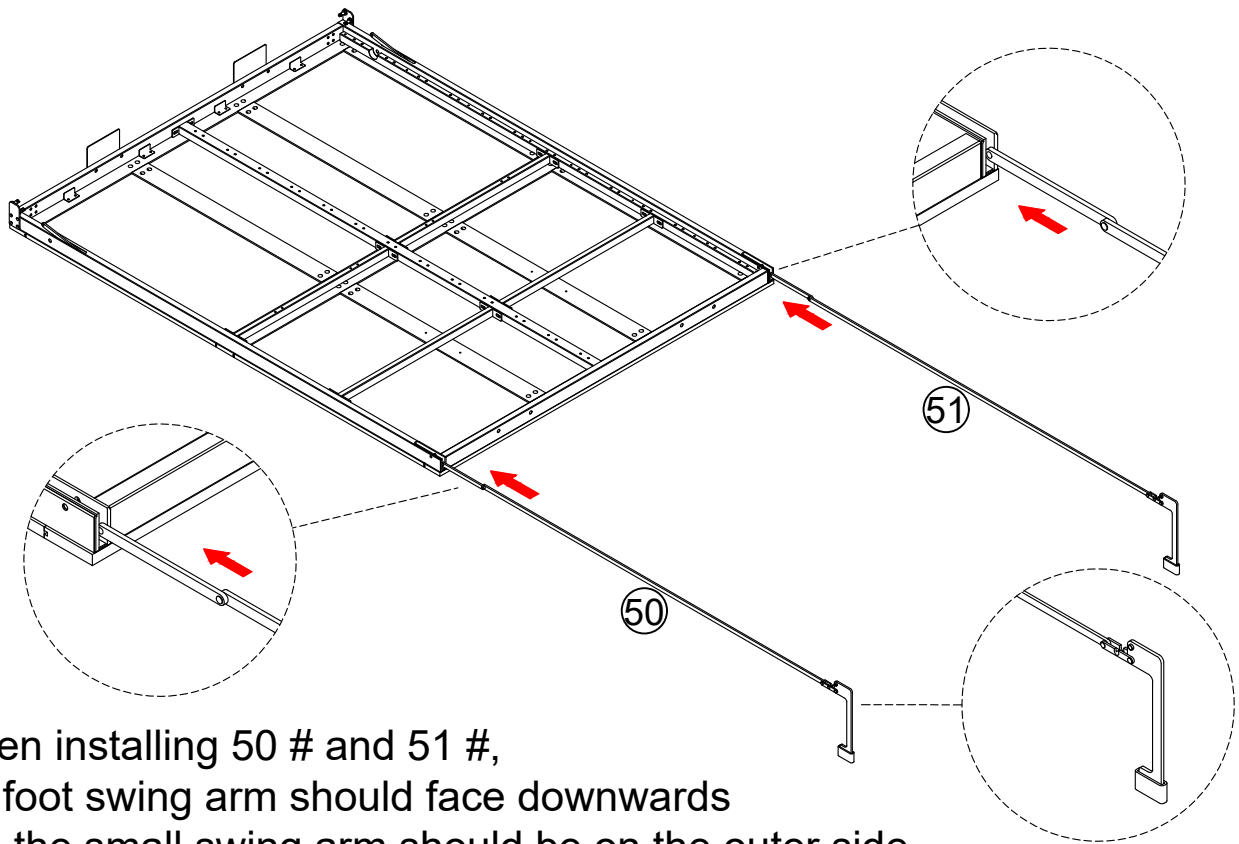


# STEP17

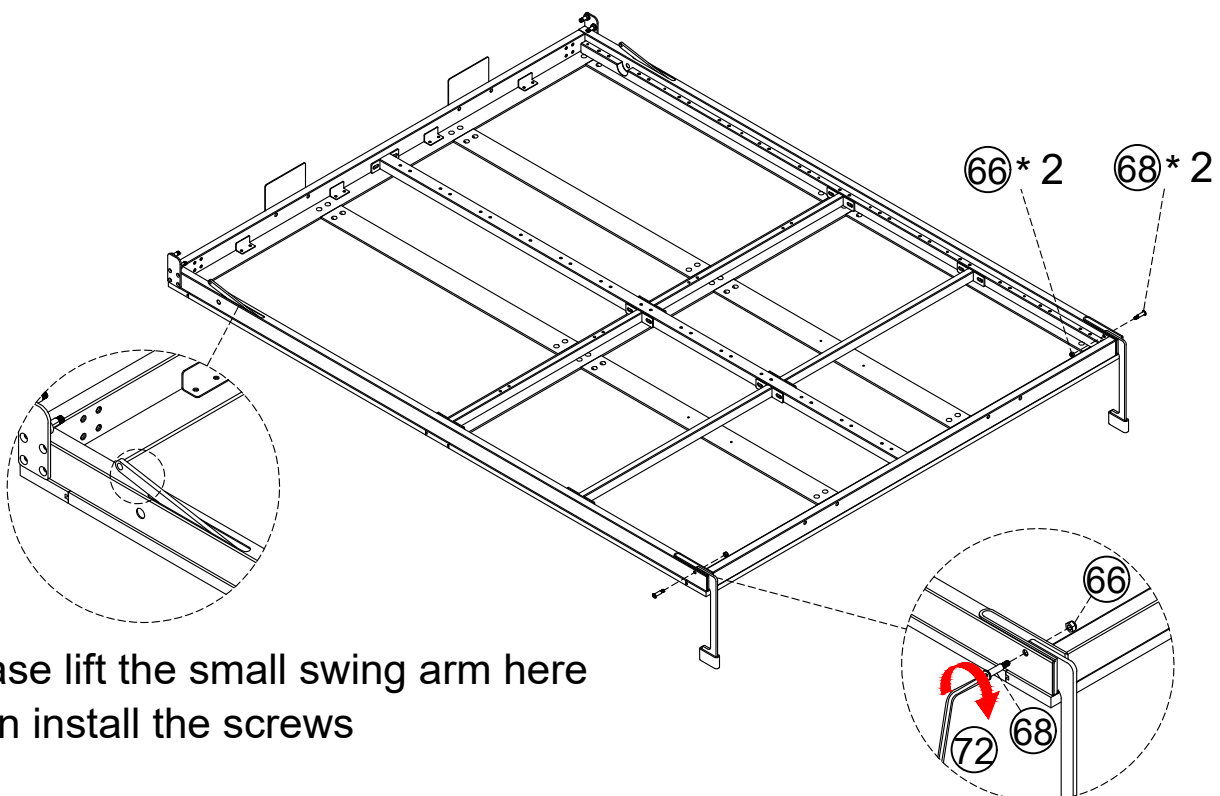
⑤0\*1 ⑤1\*1 ⑥6\*2 ⑥8\*2



Tools Required



When installing 50 # and 51 #,  
the foot swing arm should face downwards  
and the small swing arm should be on the outer side.  
50# and 51# can not be exchanged!!



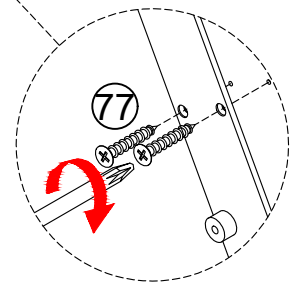
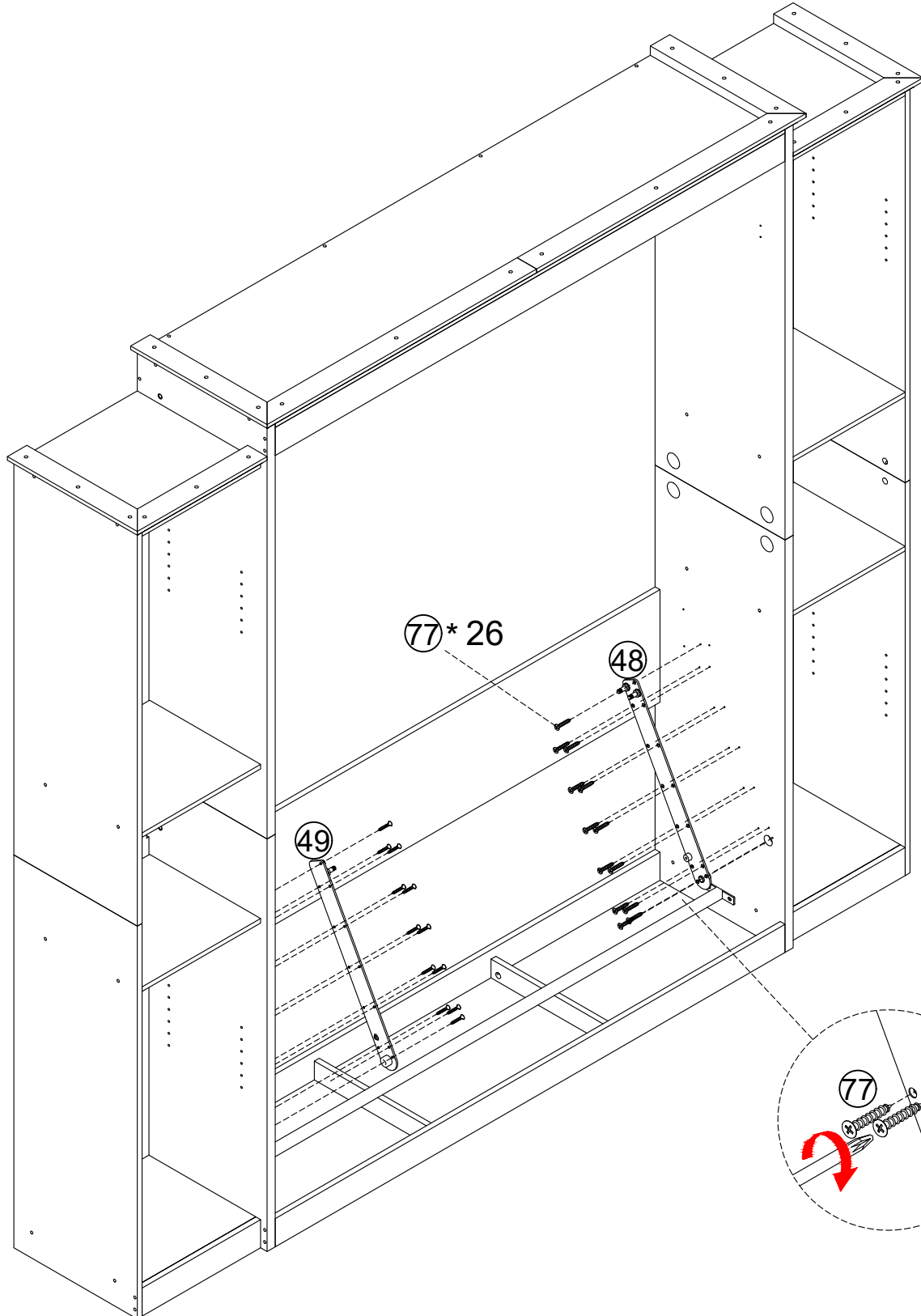
Please lift the small swing arm here  
Then install the screws

# STEP18

④⑧\* 1   ④⑨\* 1   ⑦⑦\* 26



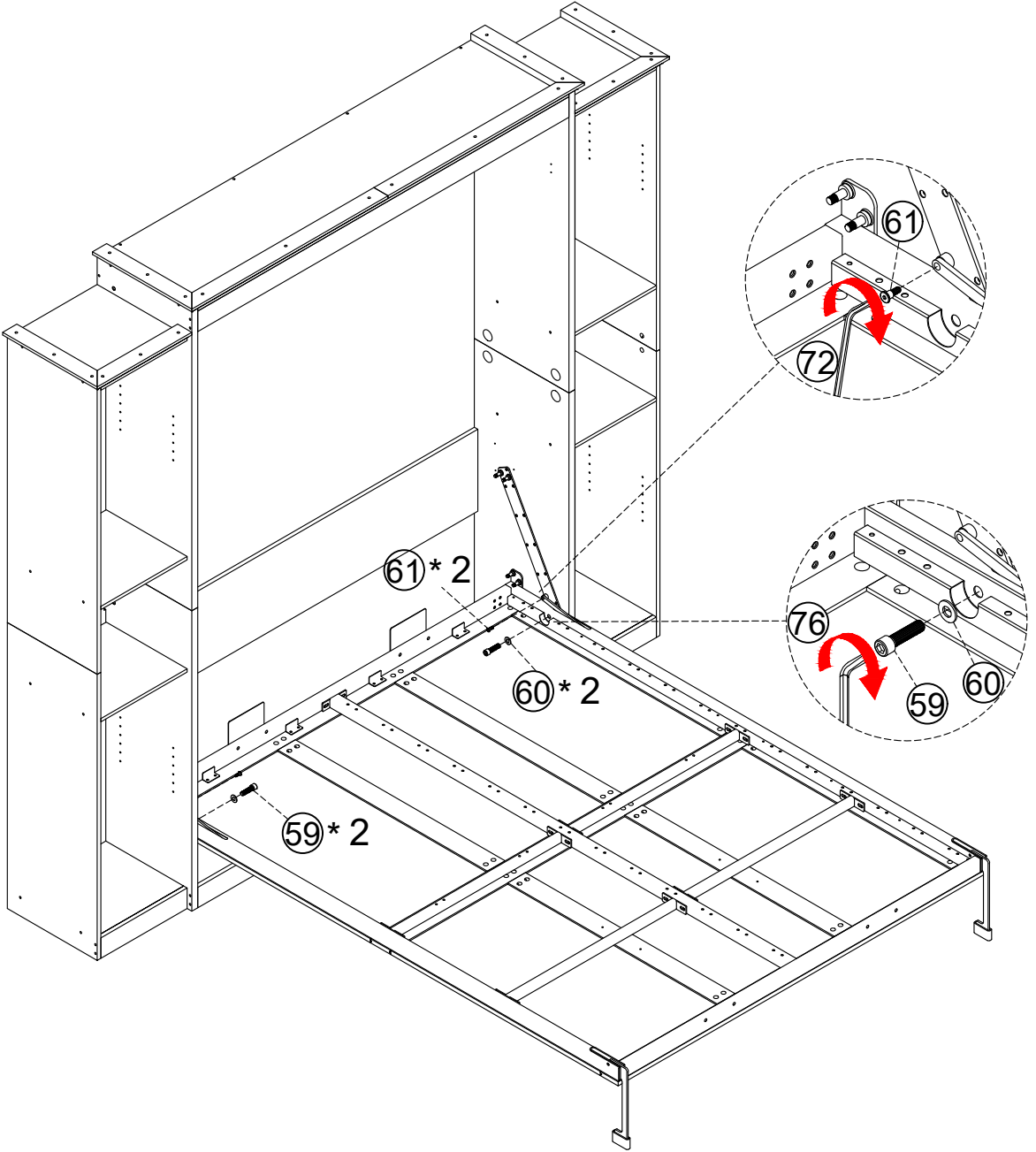
Tools Required



# STEP19

59\*2 60\*2 61\*2

72\*1 76\*1

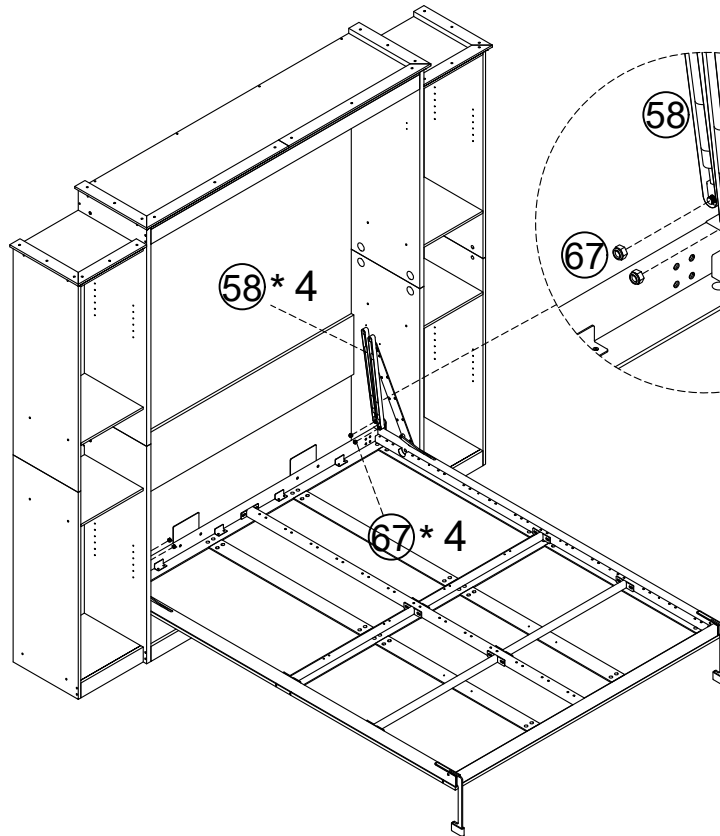


# STEP20

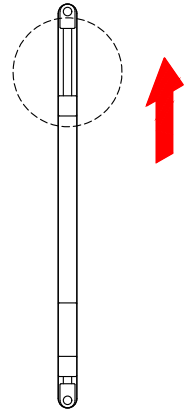


## WARNING

**DO NOT** remove the iron straps compressing the hydraulic rods (Part 58) until you have fixed the rods on both sides of the cabinet interior.

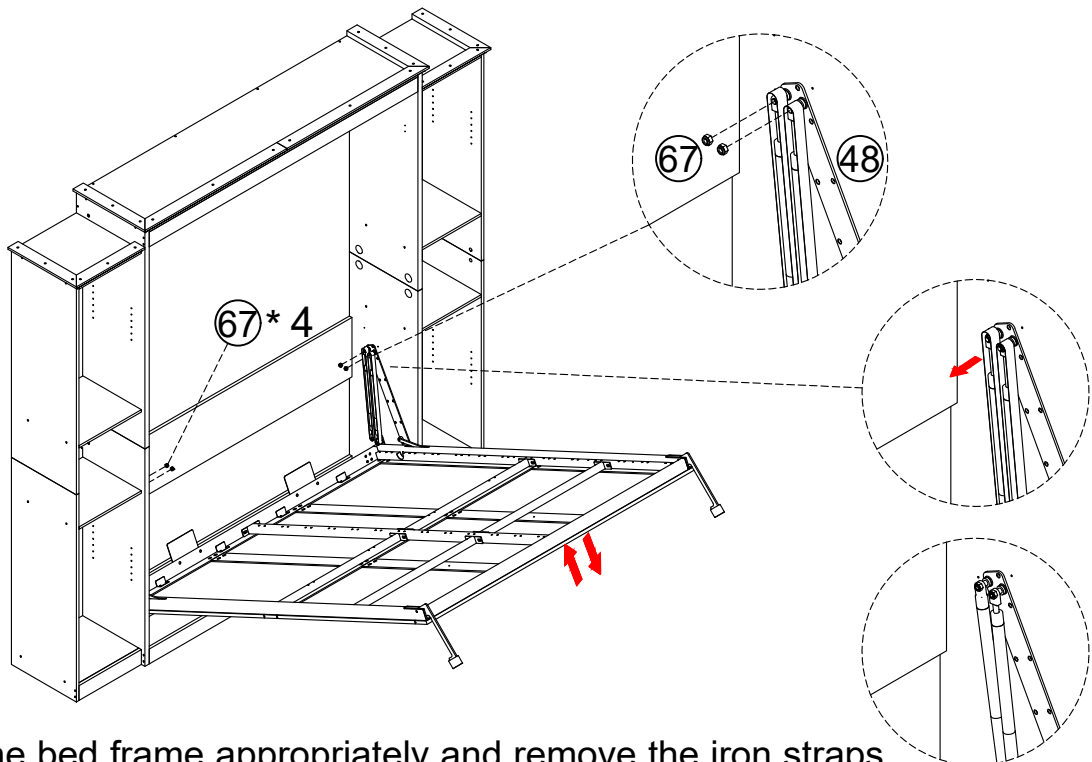


This end up



Install the hydraulic lever with the marked area facing upwards.

Swing the bed frame up and down, install 58# onto the bolts of 48# and 49# to get the right position, then lock 67# nuts.



Press down the bed frame appropriately and remove the iron straps of 58#(recommend to wear gloves).

# STEP21

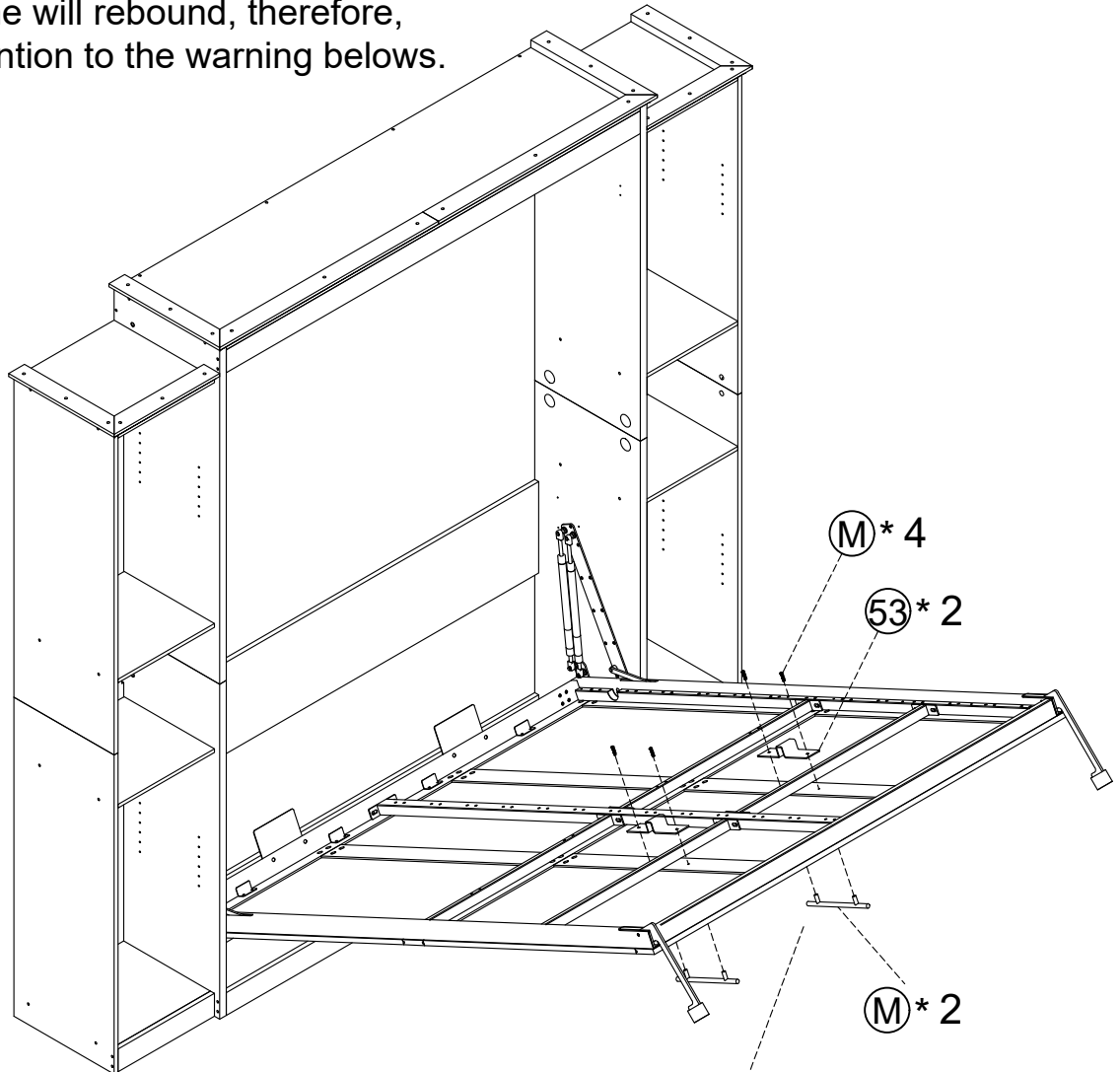
⑤3\*2 ①M\*2

## ATTENTION:

Because after removing the iron straps around hydraulic rods, the hydraulic rod will produce tension on the bed frame, due to the subsequent installation, there is no heavy weight on the bed frame, so the bed frame will rebound, therefore, please pay attention to the warning belows.



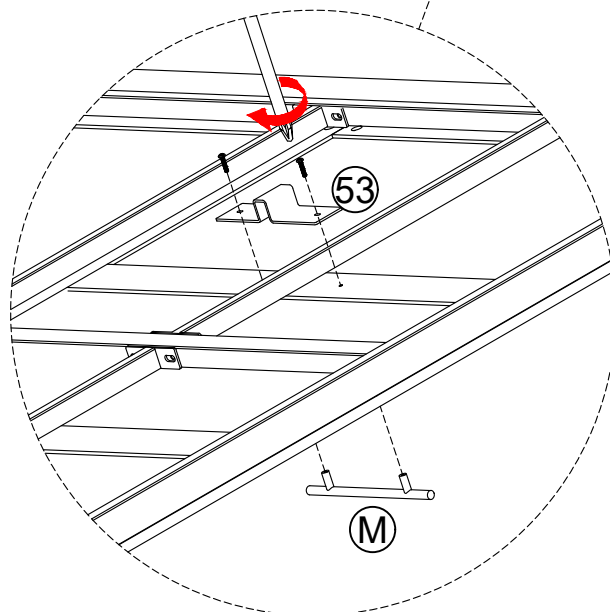
Tools Required



## WARNING

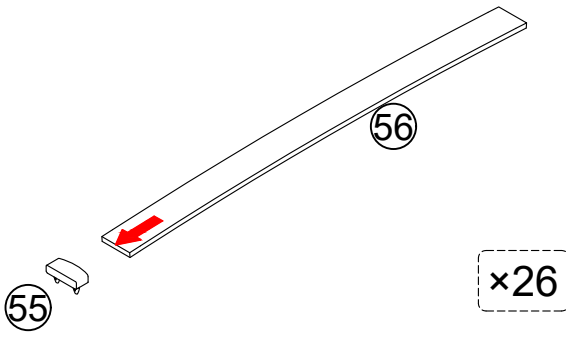
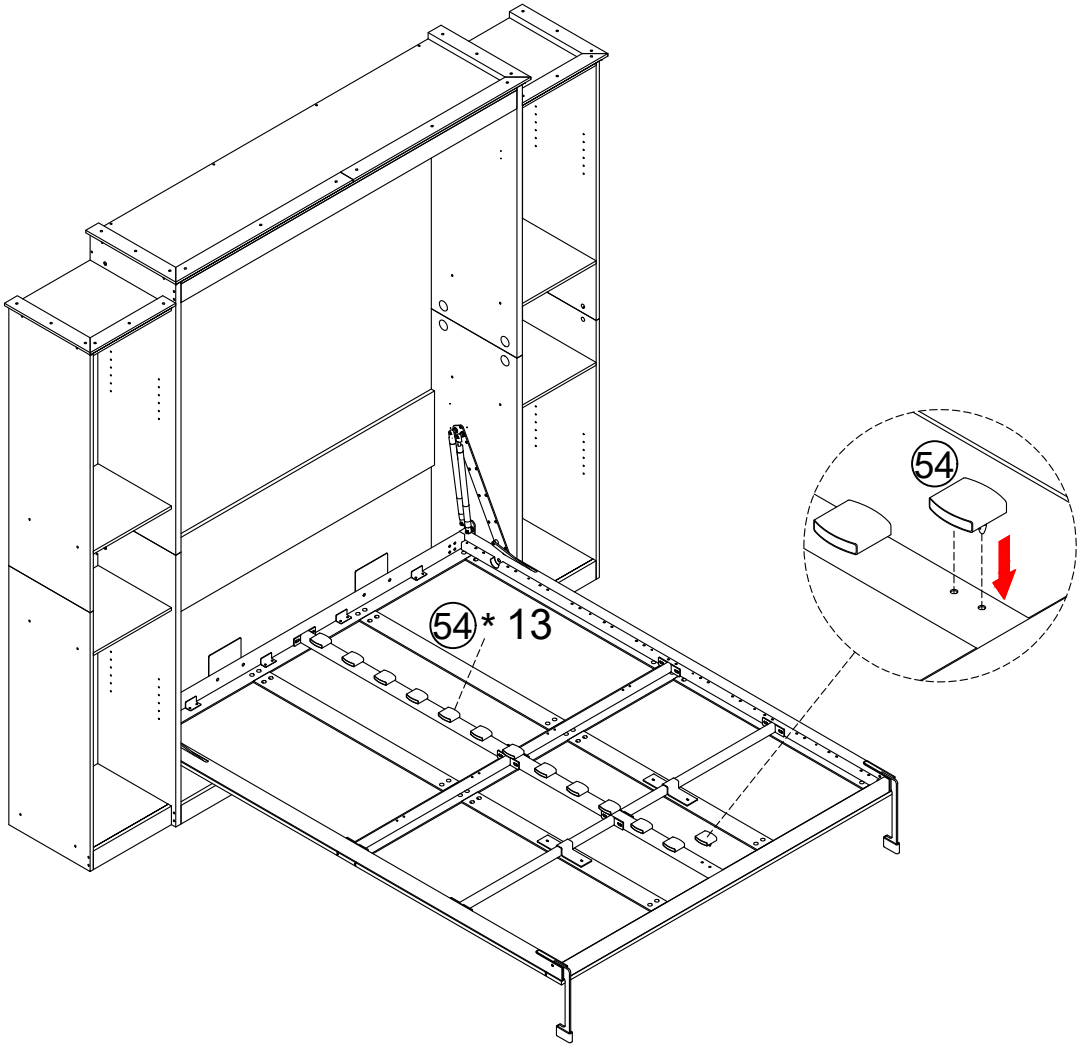
*For your safety:*

please use no less than 88lbs of weight to press the bed frame in the subsequent installation process, to avoid accidental injury caused by the rebound of the bed frame!



# STEP22

⑤④\* 13    ⑤⑤\* 26    ⑤⑥\* 26

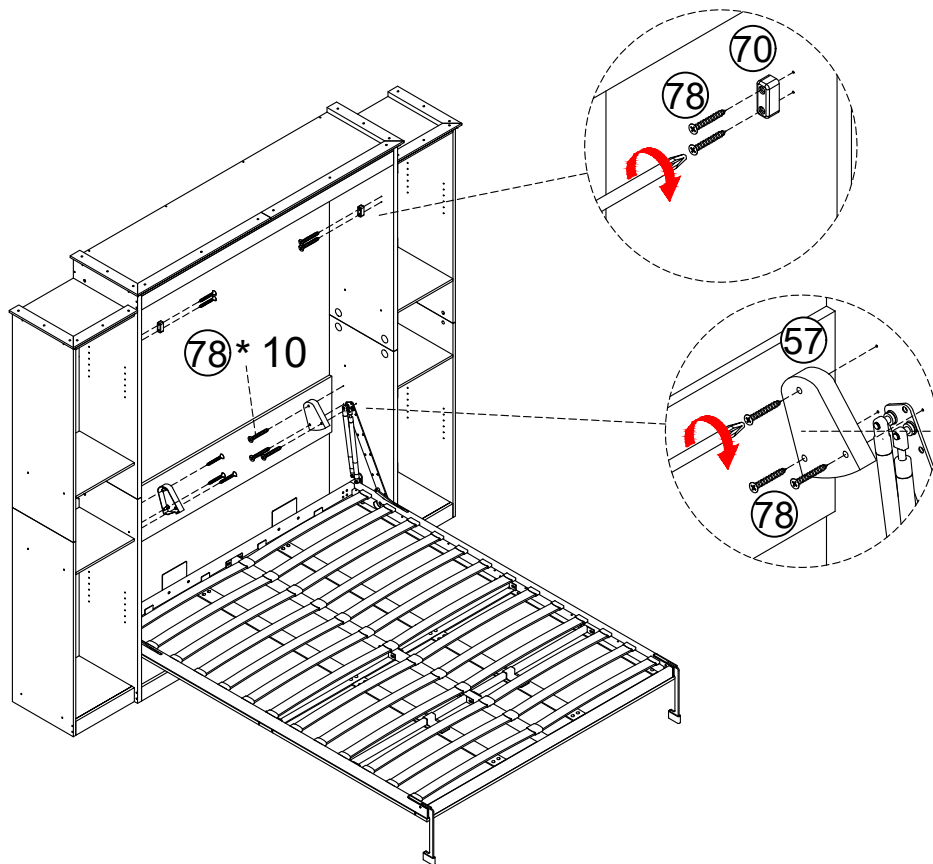
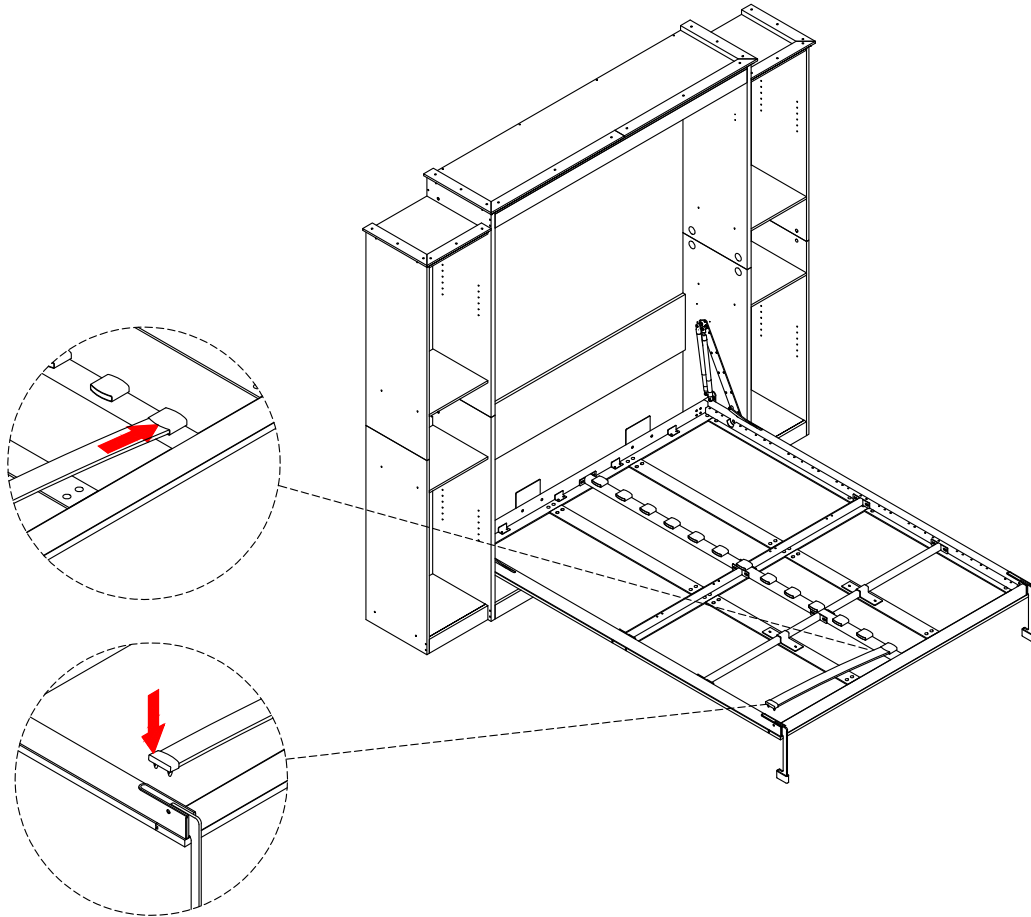


# STEP23

⑤7\*2 ⑦0\*2 ⑦8\*10



Tools Required

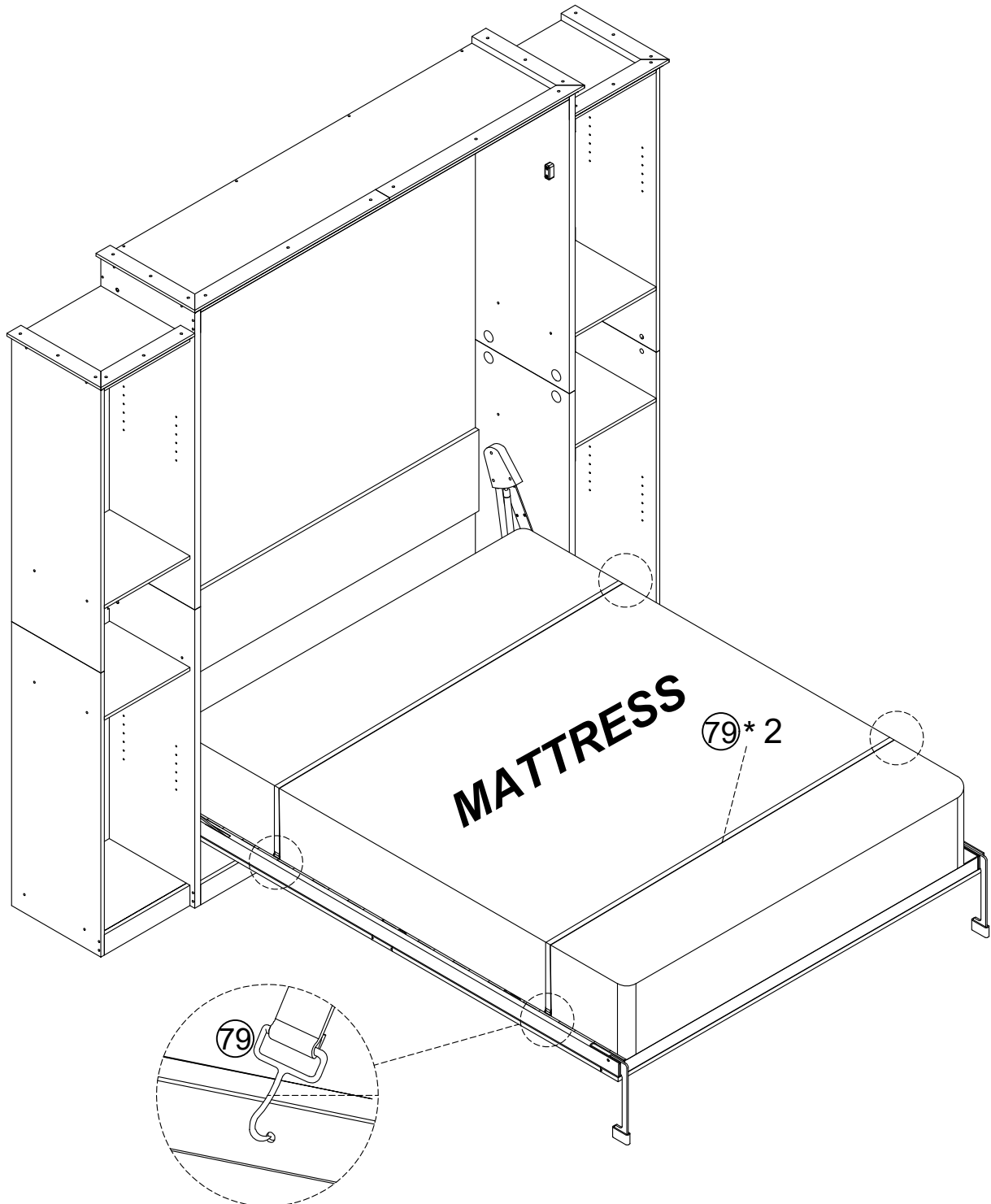


# STEP24

79\*2

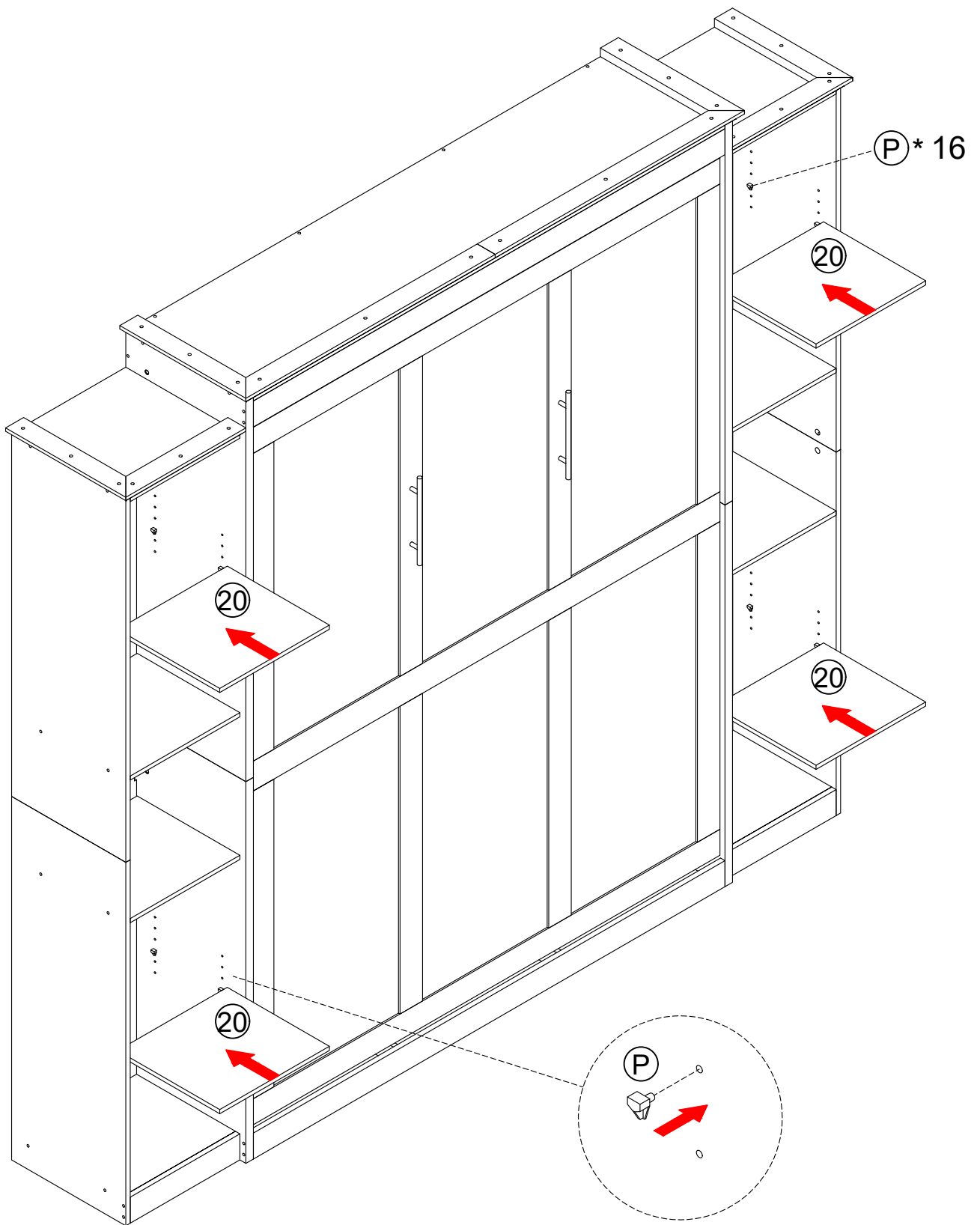
The maximum width of the mattress that the bed frame will fit is 60inch, the maximum length is 80inch, and the maximum thickness is 10inch. Suggested Mattress Size:Queen, Suggested Mattress Thickness:8inch.

(please note that the mattress weight less than 80lbs may cause the feet of the bed frame are off the ground)



# STEP25

Ⓜ20\*4 ⓂP\*16



***Final Assembly!***