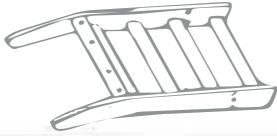
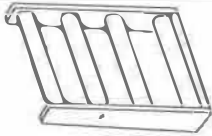

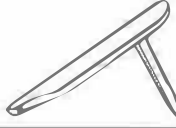





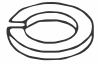



Assembly Instruction CHAIR

NOTE: Do not use power tools for assembly . Power tools increase the risk of over tightening which leads to splitting or cracking the wood .

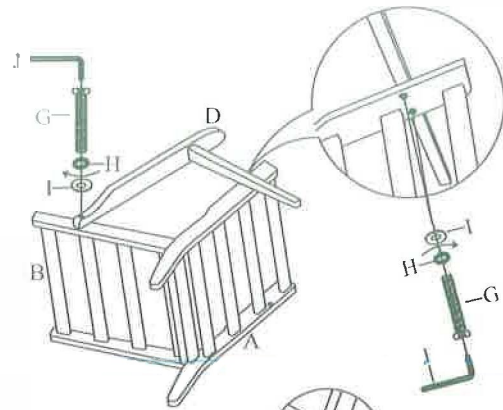
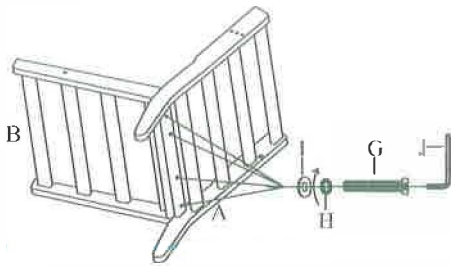
PARTS LIST

NO.	SKETCH	Q'TY	DESCRIPTION
A		1 PC	Wood Seat
B		1 PC	Wood Back
C		1 PC	Right Armrest
D		1 PC	Left Armrest
E		1 PC	Seat Cushion
F		1 PC	Back Cushion

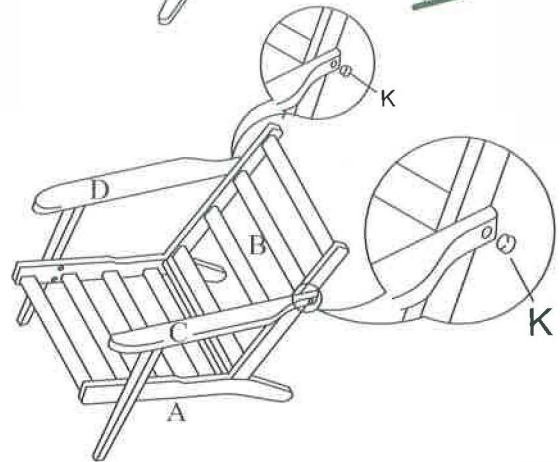
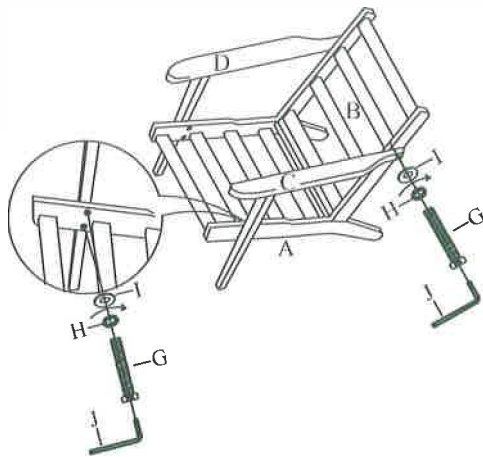
HARDWARE LIST

NO.	SKETCH	Q'TY	DESCRIPTION
G		10PCS	Ø 5/16"*40mm BOLT
H		10PCS	Ø 5/16"*13*1.5mm SPRING WASHER
I		10PCS	Ø 5/16"*14*1.5mm FLAT WASHER
J		1PC	M4*59mm "L" ALLEN KEY
K		2PCS	Ø 17.2*10mm Cork

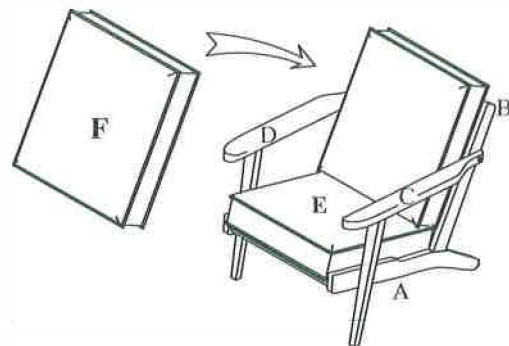
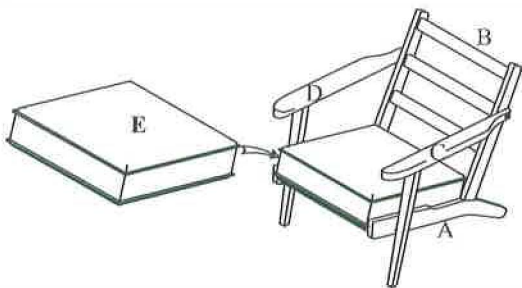
STEP 1: Attach wood back to wood seat with bolt, spring washer, flat washer by using Allen key
 Attach left armrest to wood seat with bolt, spring washer, flat washer and button



STEP 2: Repeat this to attach right armrest



STEP 3: Put seat cushion to wood seat and back cushion to wood back.



CARE INSTRUCTION FOR 100% POLYESTER FURNITURE :

In order to maintain the original appearance of your 100% polyester furniture, please follow below simple care procedure:

- Avoid exposing furniture directly to sunlight or heating and air conditioning outlets. Exposure to sunlight or heating and air conditioning outlets Will fade/damage 100% polyester.
- Wipe gently with a damp soft cloth to remove dust, dirt and any grime build up.



For items use on wooden floor, hard surfaces or carpets, it is recommended to install protective pads under all legs and supports to avoid/prevent from damages/scratches and discoloration.