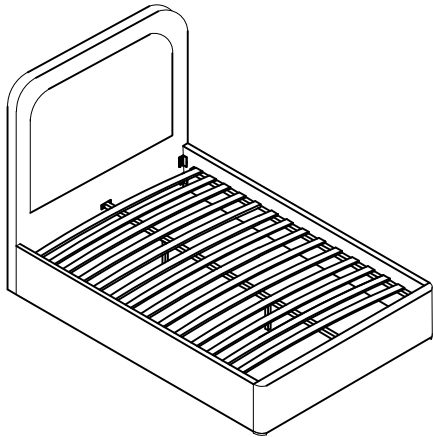


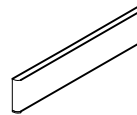
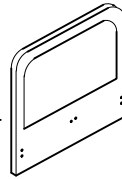
ASSEMBLY INSTRUCTIONS

BED - TWIN

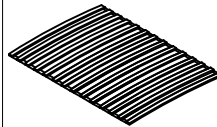


+ Parts Included

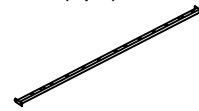
- ① Head Board
(1pc)
- ② Foot Board
(1pc)
- ③ Side Rails
(2pcs)



- ④ Slats joint
(1set=12pcs)



- ⑤ Center Support Bar(1pc)



- ⑥ Support Legs(2pcs)

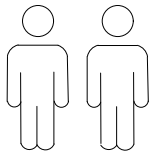


*Slats come packed in the bottom of headboard carton.

+ Do Not Use Power Tools



+ Suggested Adults



NOTE :

- 1 Read instructions cover to cover.
- 2 Save all packaging until assembly is completed.

1 IMPORTANT SAFETY INFORMATION

Do not assemble the product if any of the following parts arrived damaged:

- Part #③ -Side Rails
- Part #④ -Slats joint
- Part #⑤ -Center Support Bar
- Part #⑥ -Support Legs

2 IMPORTANT ASSEMBLY INFORMATION

Assembly Step ② Ensure the side rail bracket is fully hooked onto bolt **A** loosely threaded with both washers on the **OUTSIDE** of the bracket first, then proceed to fully tightening all 4 corners.

*Slats come packed in the bottom of headboard carton.

+ Hardware Included

- A Bolt M8*30mm
(16pcs)
- B Nut M8*13mm
(4pcs)
- C Spanner
(1pc)



- D Spring Washer
(8pcs)



- E Flat Washer
Φ20(16pcs)



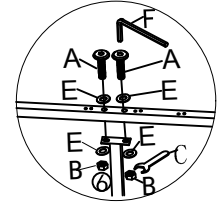
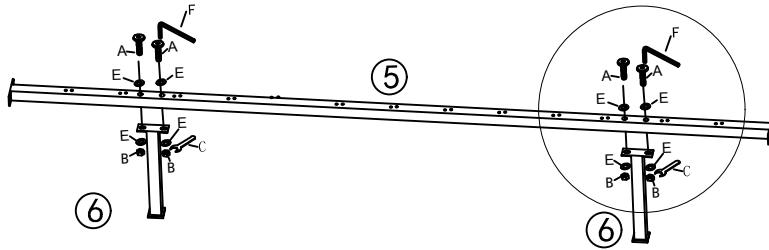
- F M8 Allen Key
(1pc)



ASSEMBLY INSTRUCTIONS

BED - TWIN

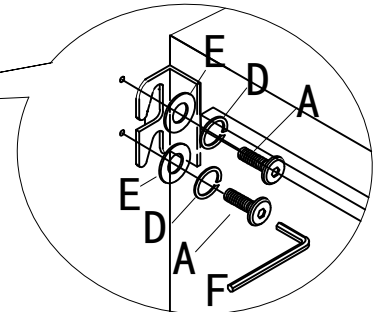
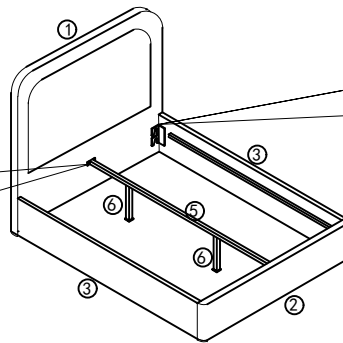
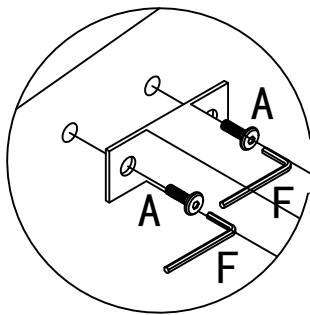
①



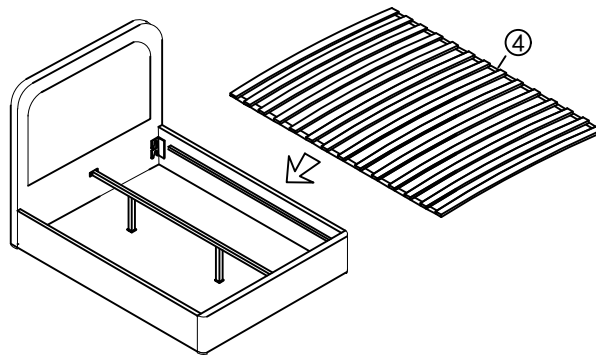
Ensure the E Flat Washers are installed on BOTH the top and bottom of the Center Support bar!

②

Repeat this step for each corner of the bed.



③



④

