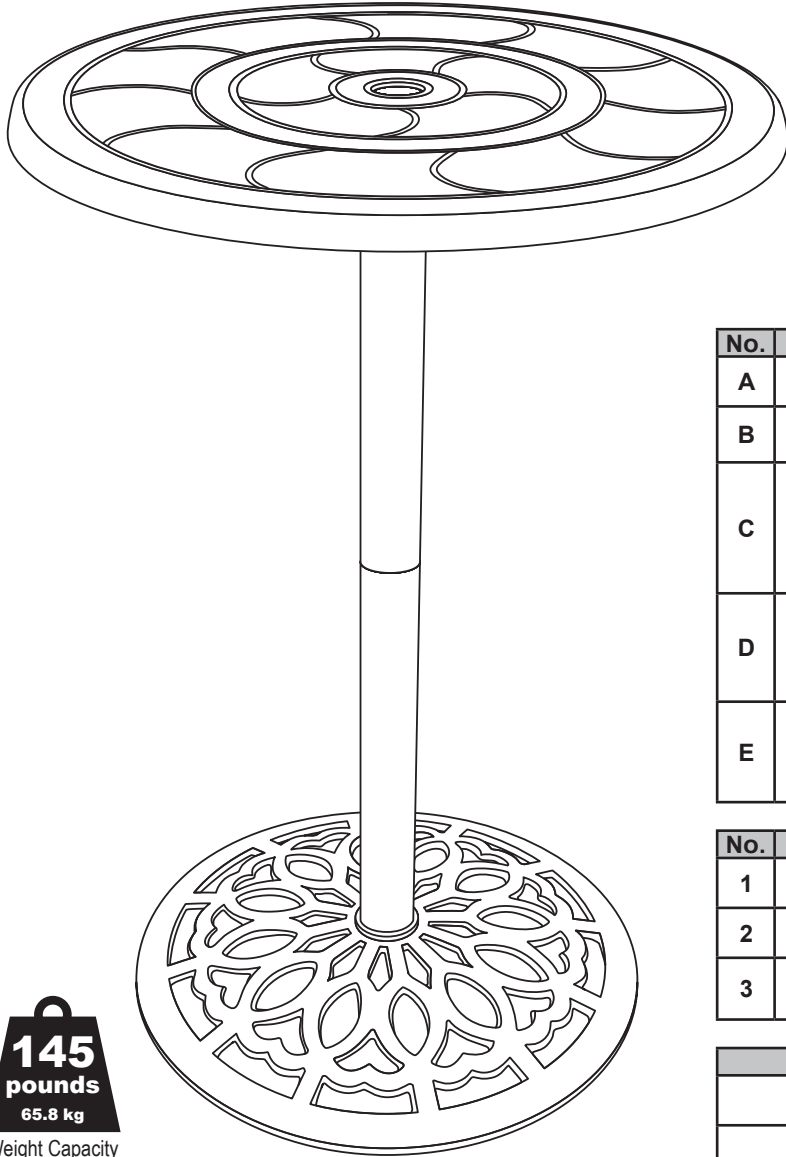


We stand behind our brand and the quality of the items we sell. Replacement parts or products can be requested within the 1-year warranty period. Proof of purchase must be provided. This includes the date of the purchase as well as photos of the product defect. Photos are used to determine the cause of the defect and to provide future quality control. The request will be reviewed, and replacement pieces will be sent at our discretion.

ROUND BAR-HEIGHT TABLE

Review all assembly and care information before using this product. Save this manual for future reference.
Assemble components on a soft, clean surface to avoid damaging the finish.



145
pounds
65.8 kg
Weight Capacity



Inspect packaging to ensure all parts are accounted for before disposing of packing materials.
 Save the packing slip.

No.	PARTS		QTY.
A		Lower Pedestal	1
B		Upper Pedestal	1
C		Base	1
D		Crossbar	1
E		Tabletop	1

No.	HARDWARE		QTY.
1		M8x45mm Grub Screw Set	4
2		M8x40mm Bolt Set	4
3		12mm Washers/Nut Set	1

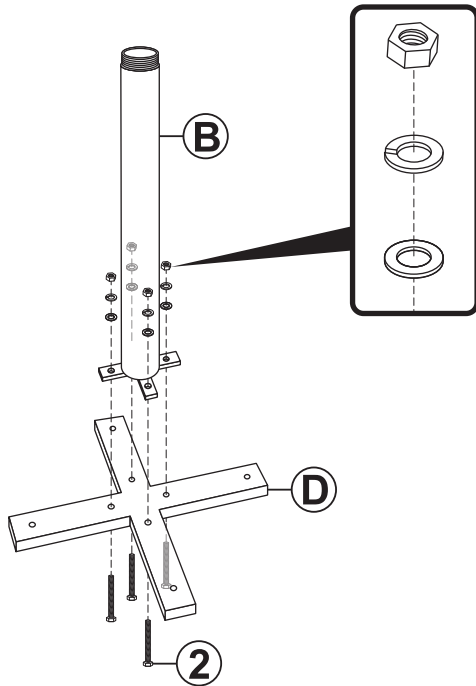
INCLUDED TOOLS	
	Hex Key
	8mm Spanner
	8mm Spanner
	12mm Spanner

! WARNING !
CHOKING HAZARD — This item contains small parts that can be swallowed. Keep children and pets away during assembly.

ASSEMBLY

STEP 1

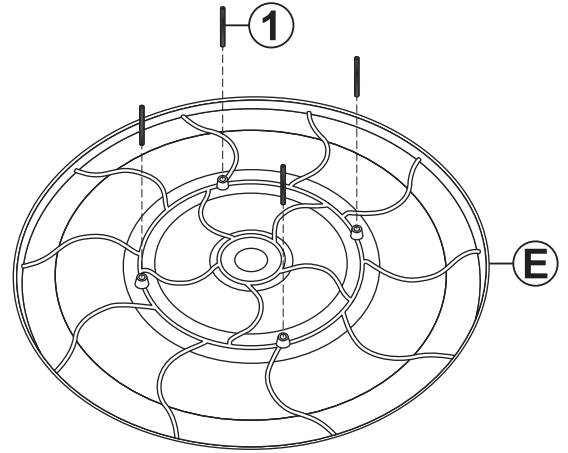
- B: 1
- D: 1
- 2: 4



Firmly secure Crossbar (D) to Upper Pedestal (B) using four M8x40mm Bolt Sets (2).

STEP 2

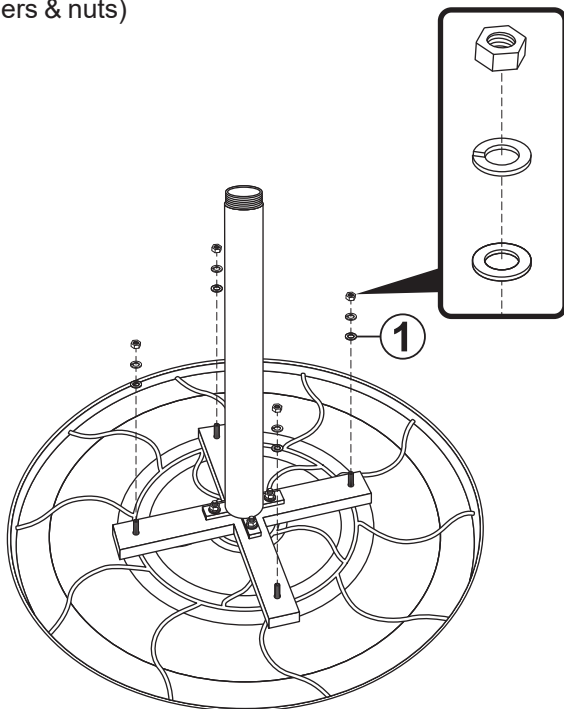
- E: 1
- 1: 4 (grub screw)



Firmly install four Grub Screws (1) into the underside of Tabletop (E) using the included Hex Key.

STEP 3

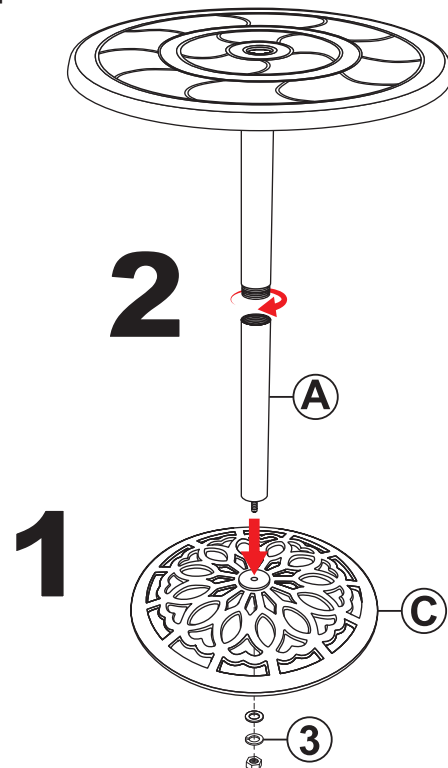
- 1: 4 (washers & nuts)



Secure the pedestal to the tabletop using the rest of Grub Screw Sets (1), as shown.

STEP 4

- A: 1
- C: 1
- 3: 1



Firmly secure Lower Pedestal (A) to Base (C) using 12mm Washers/Nut Set (3).

Twist the upper pedestal onto the lower pedestal.

Care & Maintenance

SAFE USE: For residential use only. Only use on a flat, level surface. Never sit or stand on any part of this unit.

EXPOSURE: Over time, sunlight may cause the finish to fade. Long-term exposure to moisture may cause hardware to rust.

INSPECT: Periodically check assembly points and tighten fittings as necessary.

CARE & STORAGE: Protect this item from inclement weather, especially ice and snow. Move to a dry indoor location when not in use. Covering while in storage is recommended to help prevent dust build-up.

SCRATCHES: The powder coating on this product is tough & durable but, even under normal use, some scratching is inevitable. Scratches can be repaired with a rust-resistant paint (not included).

WARNING: THE ONE-YEAR WARRANTY DOES NOT COVER DAMAGES OR DEFECTS CAUSED BY THE APPLICATION OF CHEMICAL TREATMENTS, PROTECTIVE COATINGS, TOUCH-UP PAINT, OR CLEANING PRODUCTS.

Cleaning

 **HAND-WASH ONLY**

 **DO NOT USE BLEACH**

 **DO NOT USE A PRESSURE WASHER**

Mix warm water with mild detergent. Use a soft cloth to hand-wash the furniture. Rinse thoroughly with clean water, ensuring all soap residue has been removed. To prevent water spotting, dry with a soft, lint-free cloth.

SAFETY STATEMENTS & WARNINGS

- Do not exceed the weight capacity.
- Do not sit or stand on the table.
- Inspect hardware often and tighten as necessary.
- Do not use harsh chemicals or abrasive materials to clean this unit.
- This product is for residential use only; institutional or commercial use will void this warranty.

Any modification to the product or failure to follow recommended care will void the product warranty.

If you experience issues with assembly or the product was damaged during transit, please contact our customer service team through one of the methods mentioned at the top of page 1.

Please have the item number and order information ready to expedite response time.

WARNING!

Manufacturer and seller expressly disclaim any and all liability from personal injury, property damage or loss, whether direct or indirect, or incidental, resulting from the incorrect attachment, improper use, inadequate maintenance, or neglect of this product.