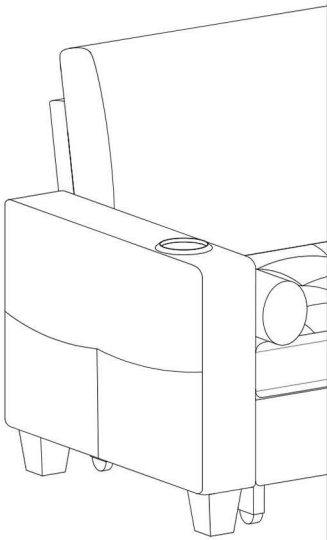


Owner Manual



WARRANTY

We strive to offer high quality product and we also try our best to satisfy each customer that order from us, no matter on products or services as needed. Each customer receives a record of their order, such as the order number or item receipt. For any items that are out of warranty period, you may still be able to purchase the replacement parts from our company if they are available.



MAINTENANCE AND WARNING

Please read the manual thoroughly
before you start installing.

Please keep the product away from
sharp object.

Packaging and small parts may have
chocking hazard, please keep them away
from children and pets.

Please clean the product according to each
clean code, check the product description
for more information.

Please keep the product away from
fire.

If you have any other questions, please
contact us, we will be glad to help you out.

If the product is placed under direct
sunlight, the pattern or color might fade
away overtime.

Check the product periodically to make
sure everything is secured and tightened.

Always use proper tools for installation.

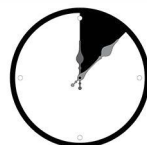
Do not jump on the product.



Two people



0-3



Around 35 min

PRODUCT DESCRIPTION

Upholstered in soft corduroy fabric, this lounge chair offers luxurious comfort and a sophisticated texture to any room.

The left armrest includes a built-in cup holder, ensuring your drink is always within arm's reach.

Dual charging ports (USB) on the right armrest allow for convenient device charging without leaving your seat.

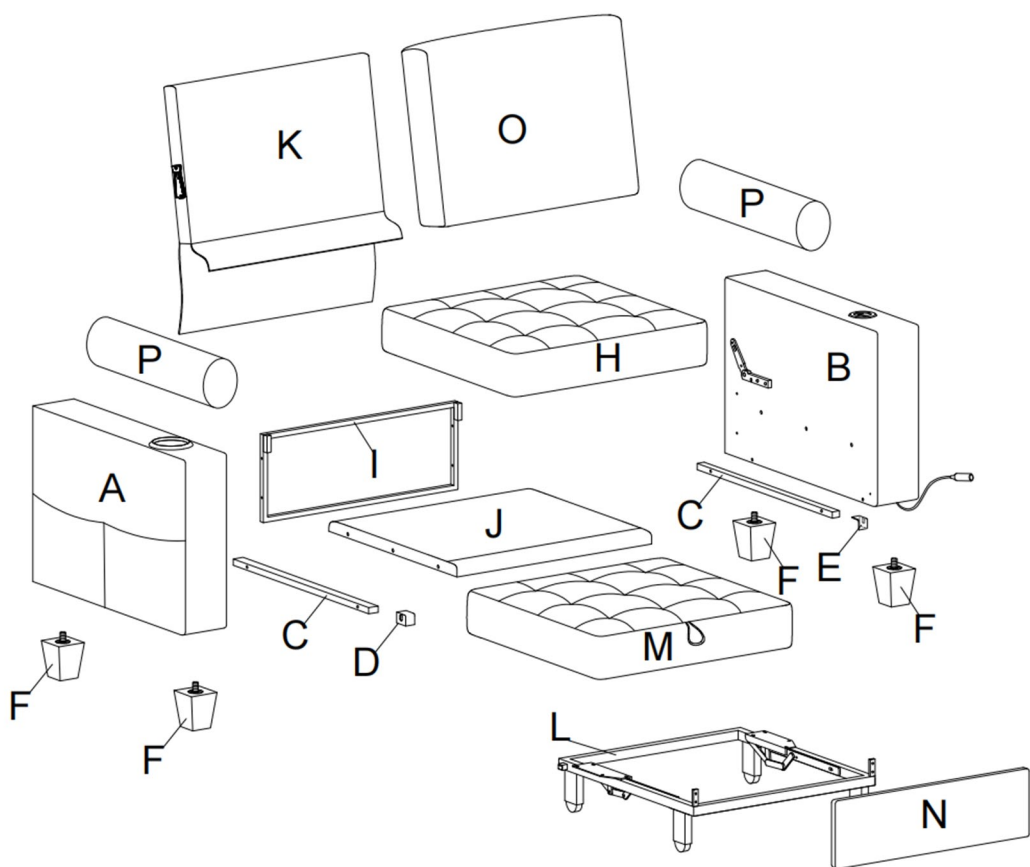
Two large side pockets provide ample space for storing magazines, remotes, or other essentials.

The three-position manual adjustable backrest allows you to find the perfect angle for relaxation, and the pull-out footrest easily converts into a twin-size bed, offering added versatility for guests or naps.

EXPLODED VIEW

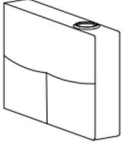


The product's left and right are determined by sitting posture



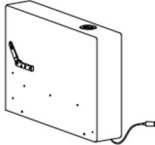
PARTS

A*1



Right arm

B*1



Left arm

C*2



Wooden Rail

D*1



Iron Blocker

E*1



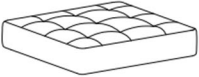
Iron Blocker

F*4



Legs(hide in A)

H*1



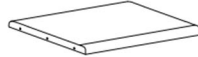
Seat cushion

I*1



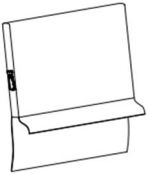
Back Frame

J*1



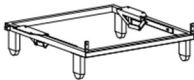
Seat frame

K*1



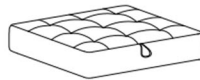
Backrest

L*1



Footrest Frame

M*1



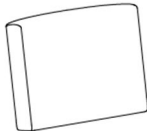
Footrest cushion

N*1



Front panel

O*1



Back cushion
(hide in B)

P*2



Armrest Pillow
(hide in A&B)

X*1



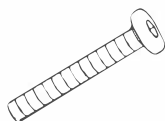
Plug

HARDWARE

TOOL LIST

NOTE: Designated with (★) We provide additional spare parts in the hardware package

①*4



★ M6*60mm
Bolt

②*10



★ M6*50mm
Bolt

③*14



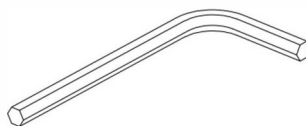
★ M6*16mm
Bolt

④*10



★ Flat washer

⑤*1

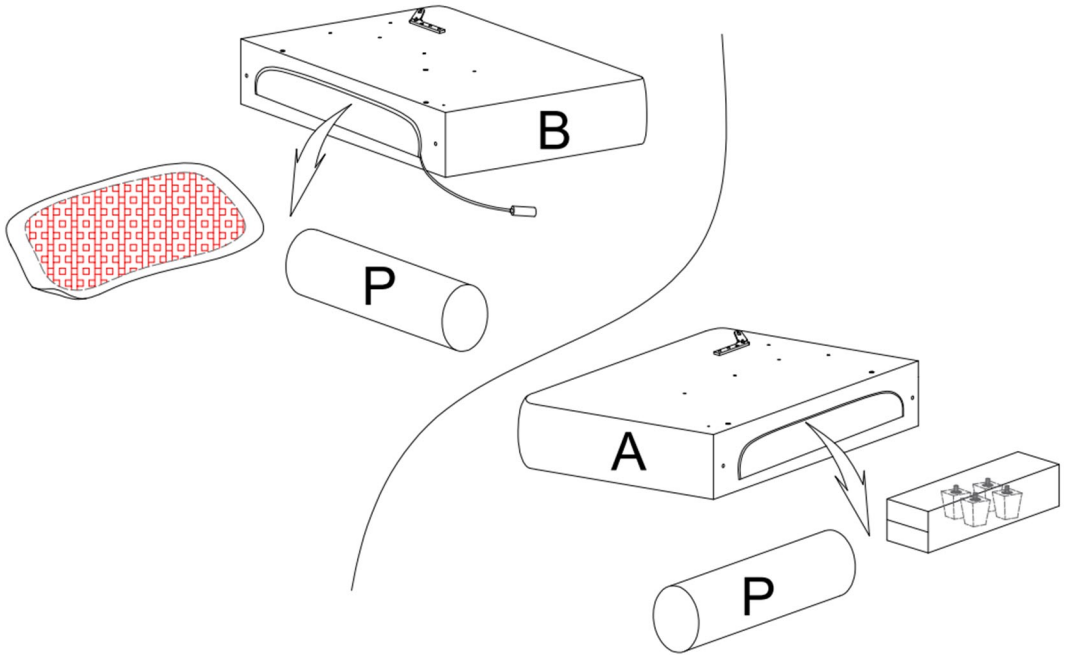


Allen key

Please make sure all hardware & packing material fitting the list. Especially some small accessories may be missing during transportation. Please contact us if you have any question.

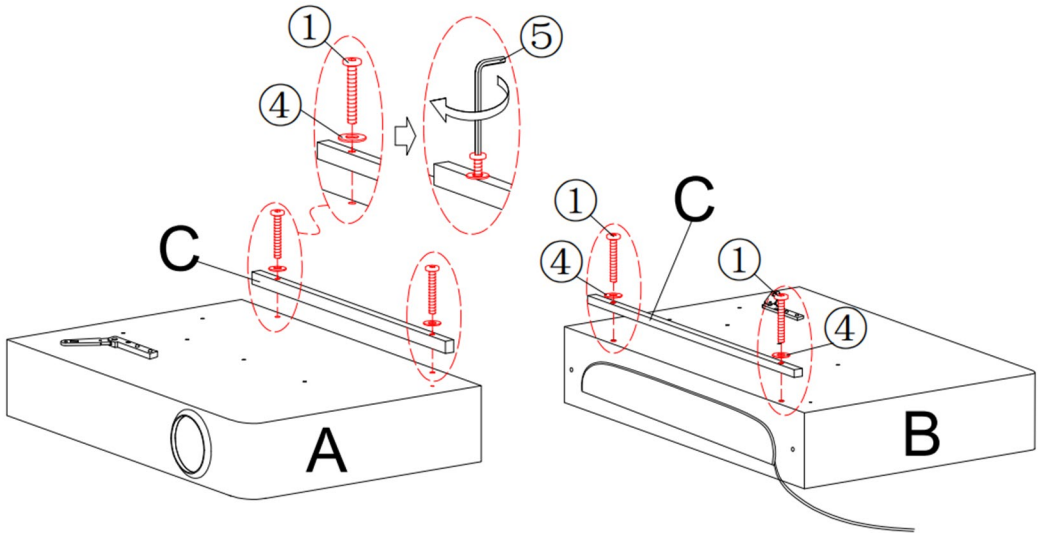
step 1

First unzip the zipper on the bottom of both Armrests. Take out the air compressed Back Cushion and one Armrest Pillow from the Left Armrest, and then take out the other Armrest Pillow and the box contains Legs and Wheels from the Right Armrest as shown. After removing all parts from the Armrests, zip the zipper back on.



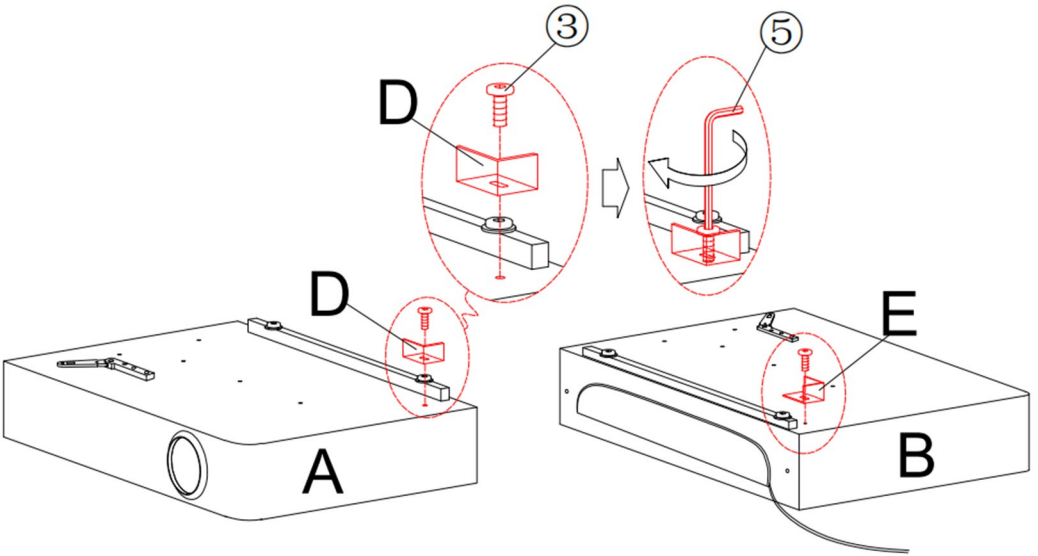
step 2

To install the Wooden rail (C) to the inner side of the Armrests as shown, first place one flat washer (4) on each bolt, then use the allen wrench (5) provided to fix the Wooden rail (C) to the Armrests.



step 3

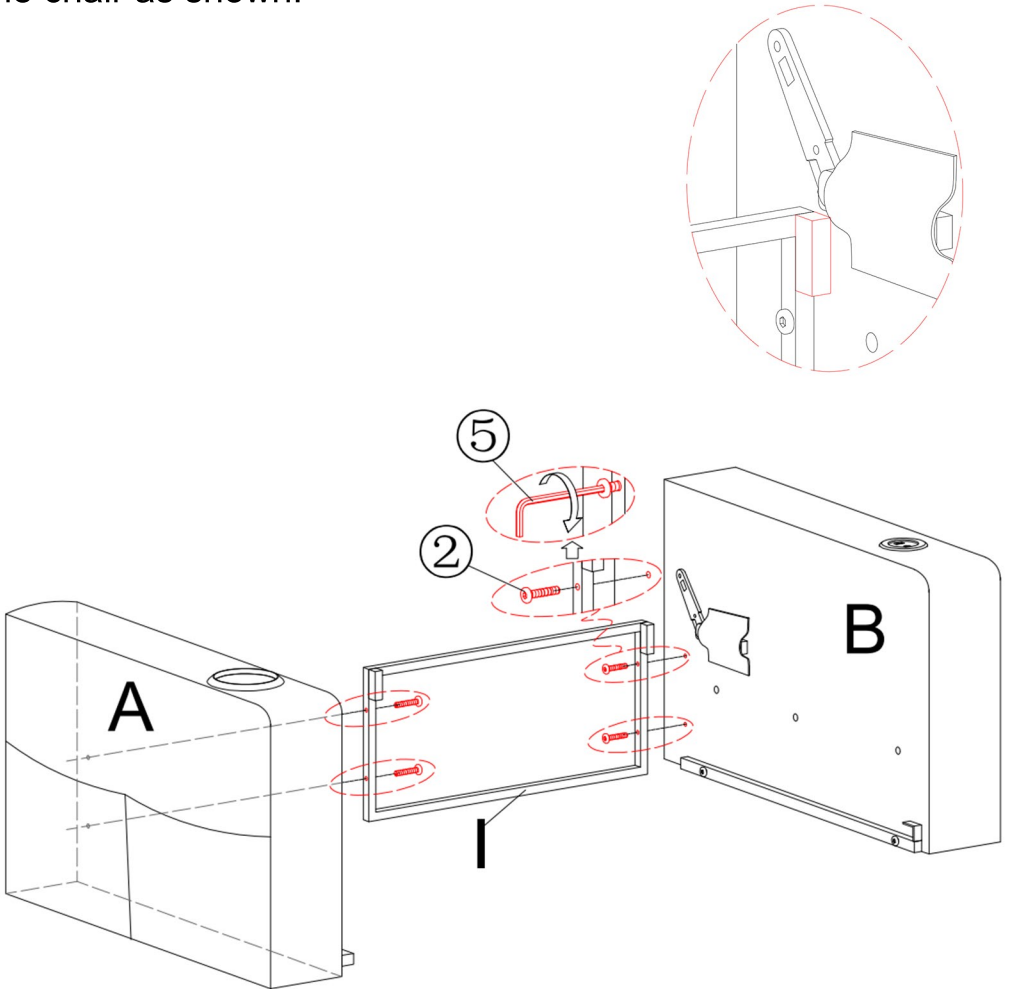
To install the Iron Blocker (D&E) to the Armrest above the Wooden Frame, use the allen wrench provided to tighten the bolts.



Install the Iron Blocker D to the Armrest A
Install the Iron Blocker E to the Armrest B

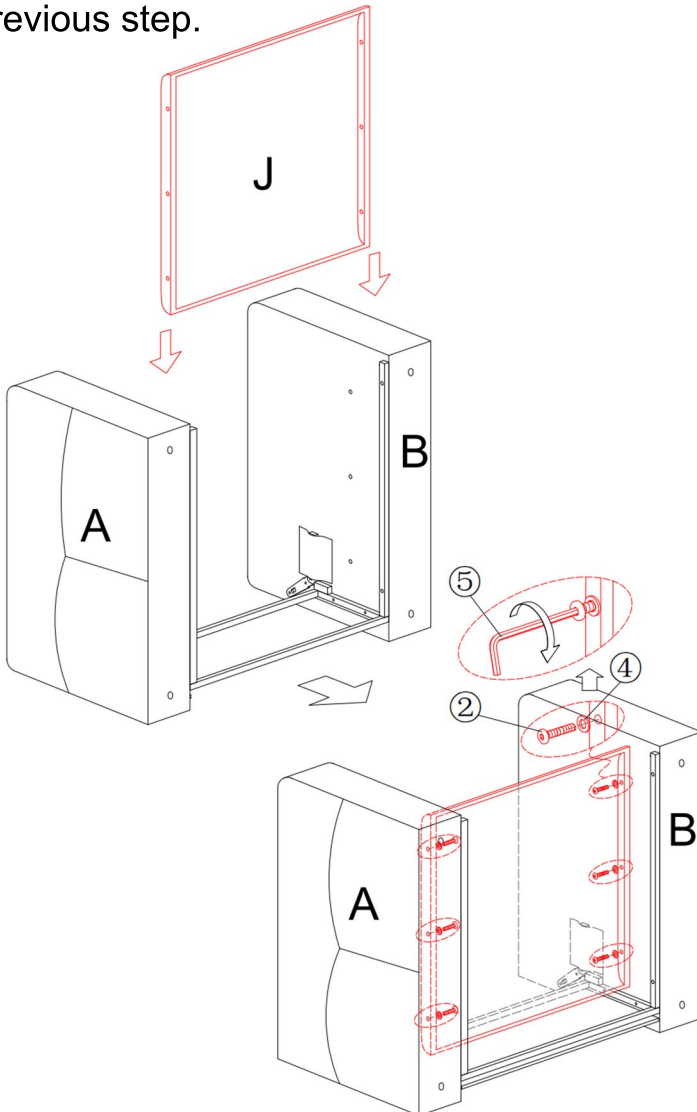
step 4

To connect two Armrests with the Back Frame (I), align the bolt holes on both Armrests and the Back Frame (I), then use the allen wrench (5) provided to twist the bolts (2) to about 80%, do not completely tighten the bolts before installing the Seat Frame. The block on the Back Frame needs to face the front of the chair as shown.



step 5

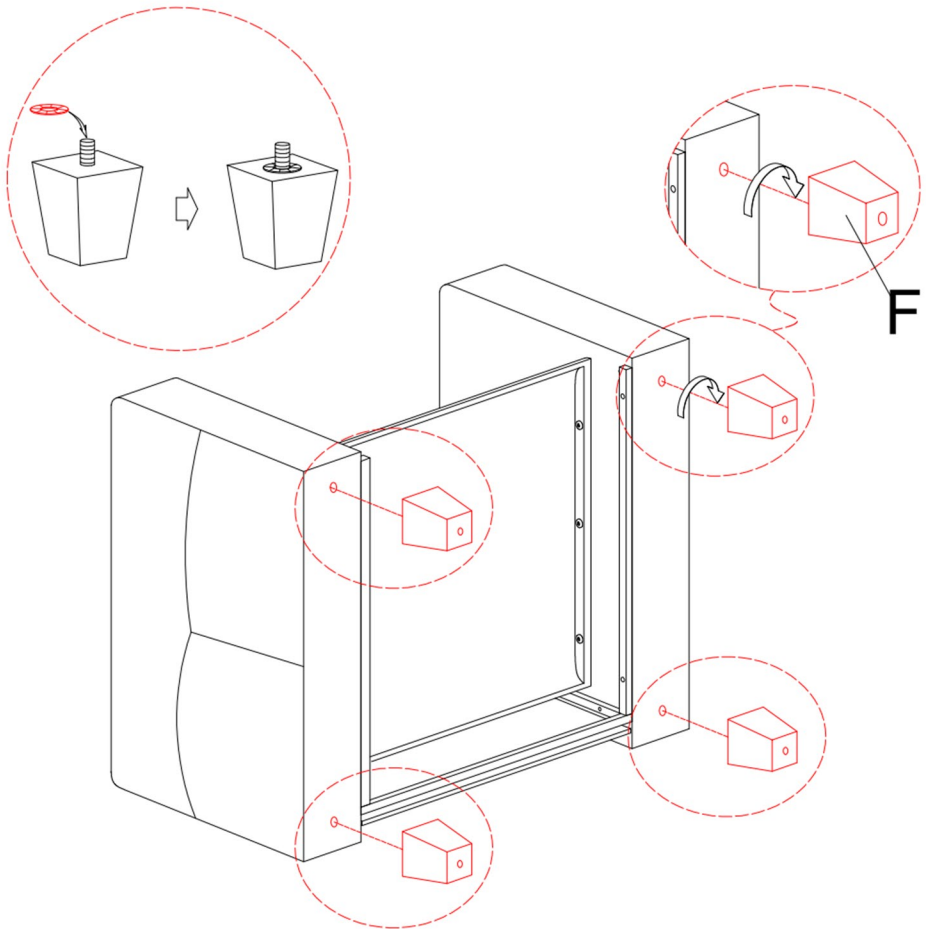
To install the Seat Frame (J) to the Armrests as shown, first place the Seat Frame between two Armrests as shown, then align the bolt holes on both Armrests and the Seat Frame (J), place one flat washer (4) on each bolt (2) and use the allen wrench (5) provided to tighten the bolts. Tighten all the bolts from previous step.



step 6

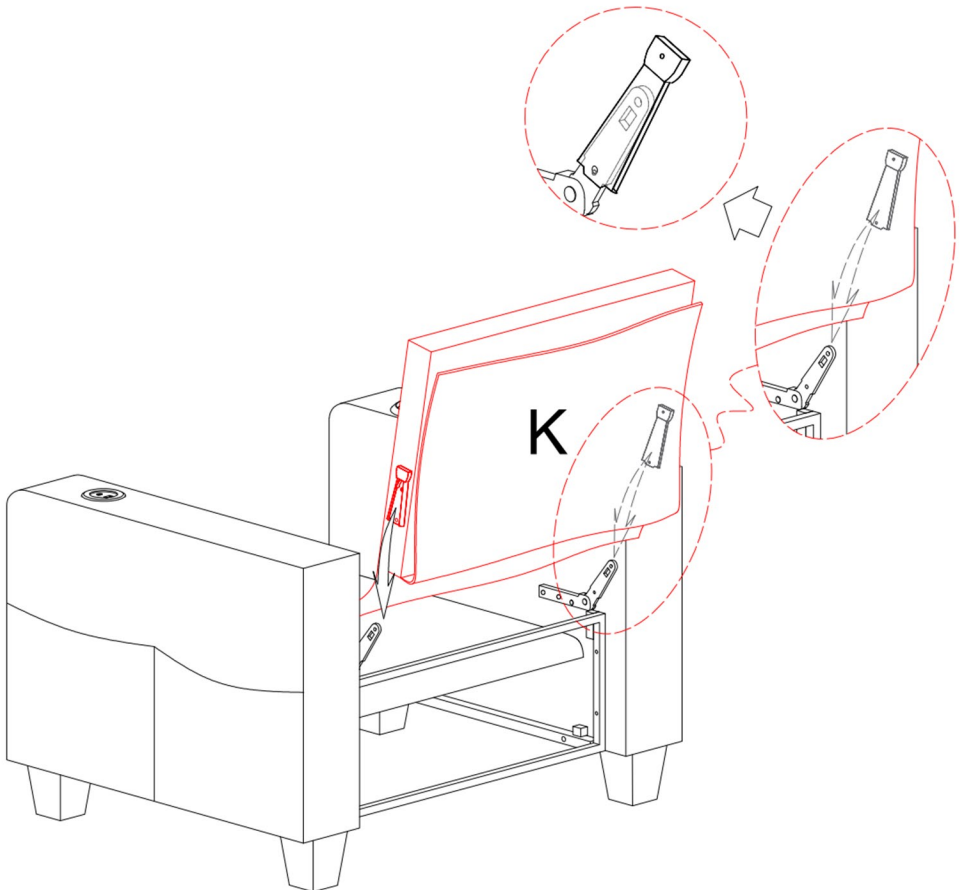
If the plastic washer falls off, just simply put it back on the bolt part of the leg as shown.

Twist the Plastic Legs (F) with plastic washer to both ends of each Armrests as shown.



step 7

To install the Backrest (K), simply insert the connectors into the slots on the Backrest as shown. Make sure the connectors on both sides are correctly aligned, and press the Backrest after both sides are aligned in order to lock the connectors.

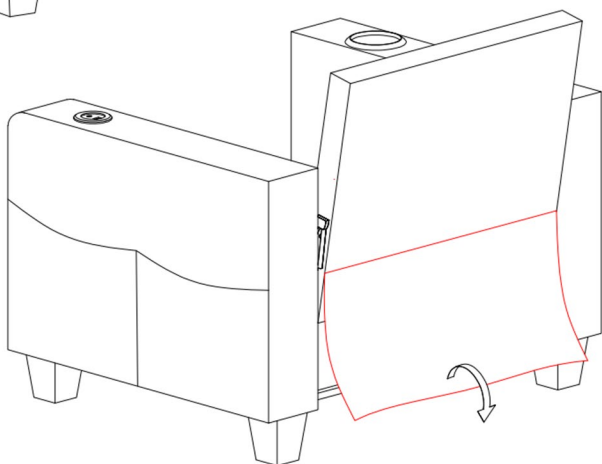
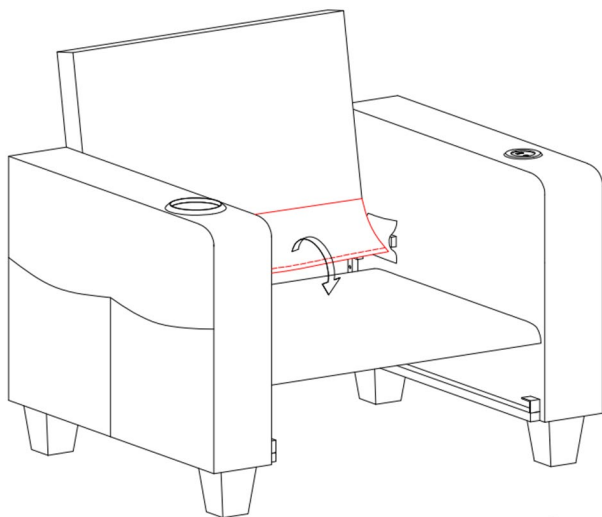


step 8

Stick the Velcro cover on the back of the chair as shown.
Stick the Velcro cover on the chair as shown.

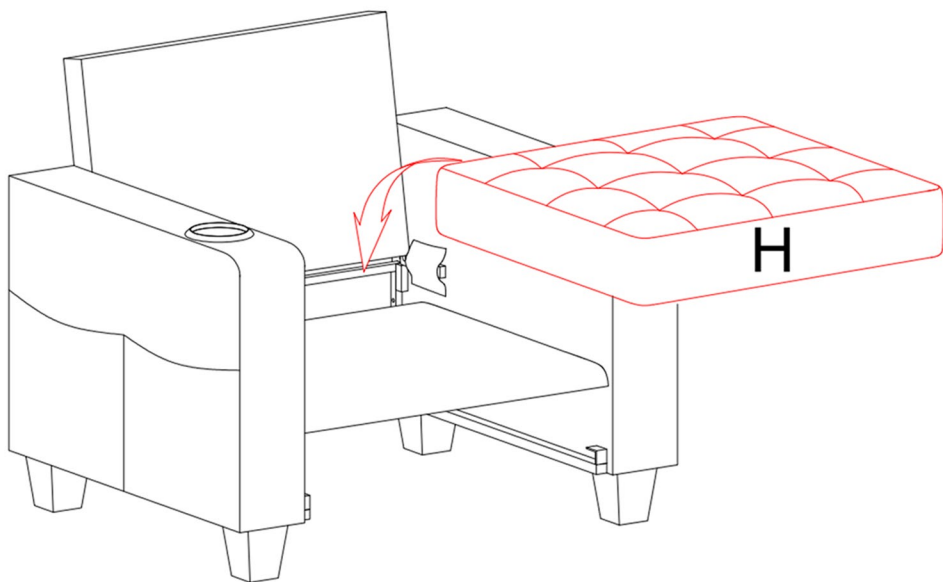


Stick the Velcro tape along the edge of the Seat Frame as shown.



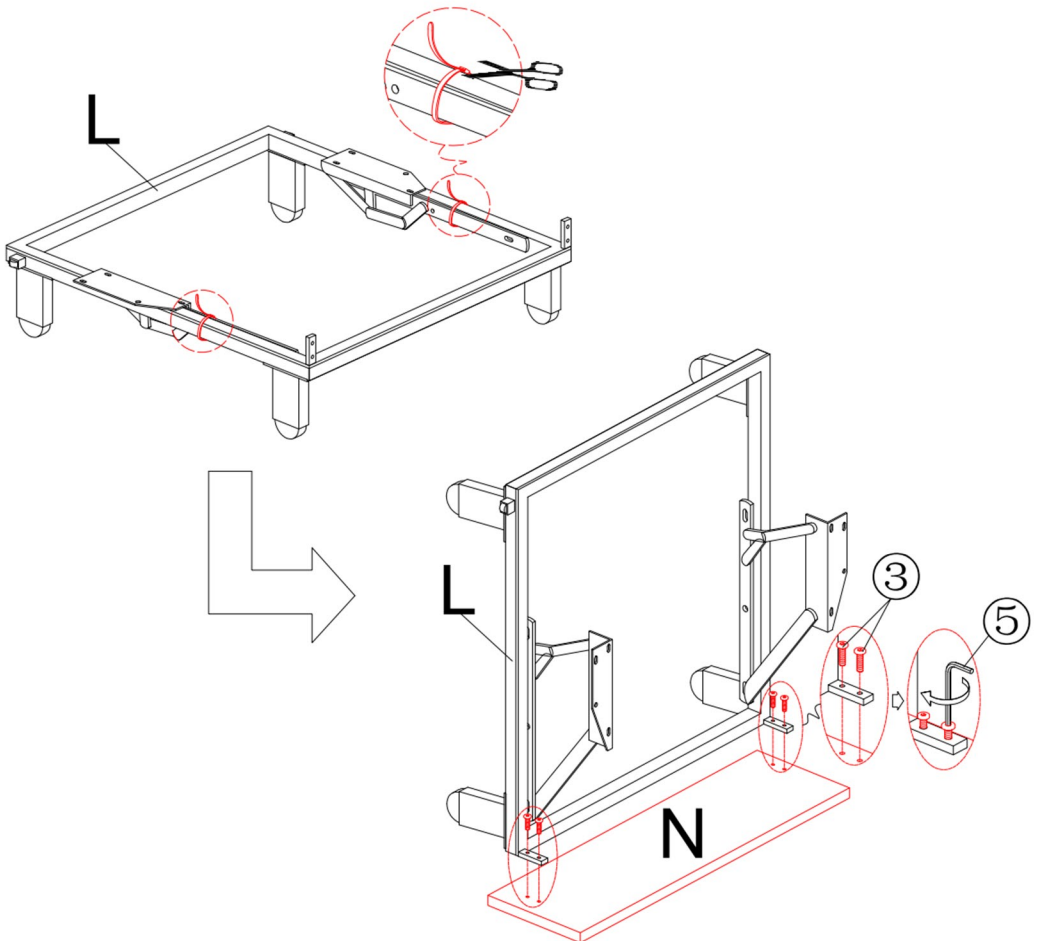
step 9

Please the seat cushion (H) on the chair .



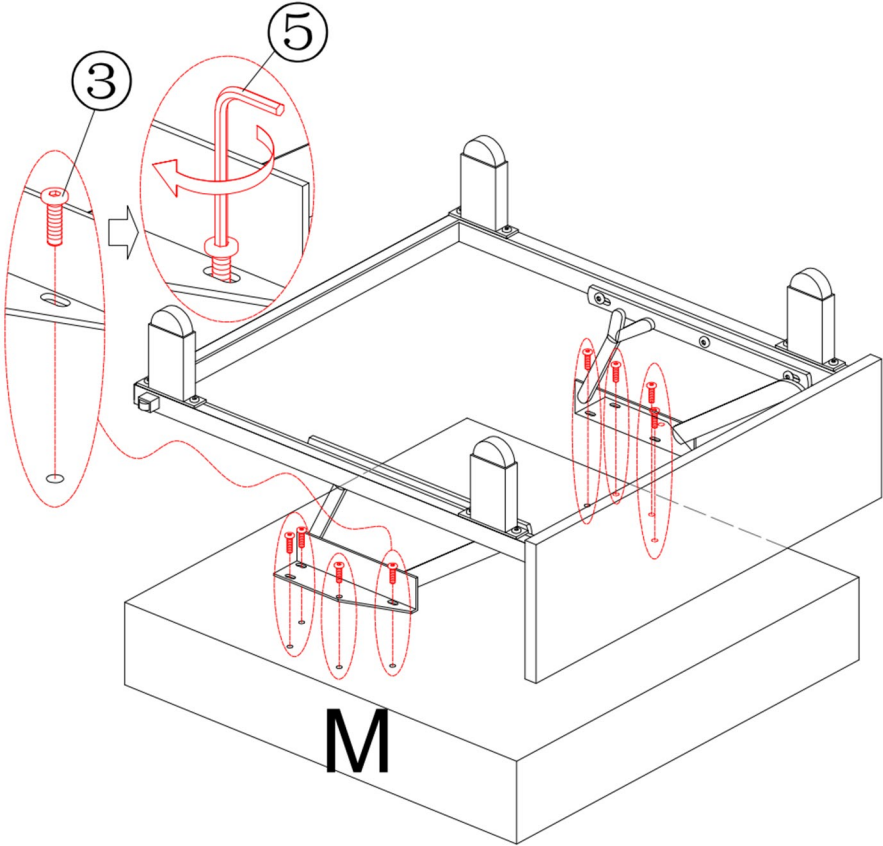
step 10

First, cut off the cable ties, Install the Front Panel to the Footrest Frame as shown, use the provided allen wrench to install all bolts.



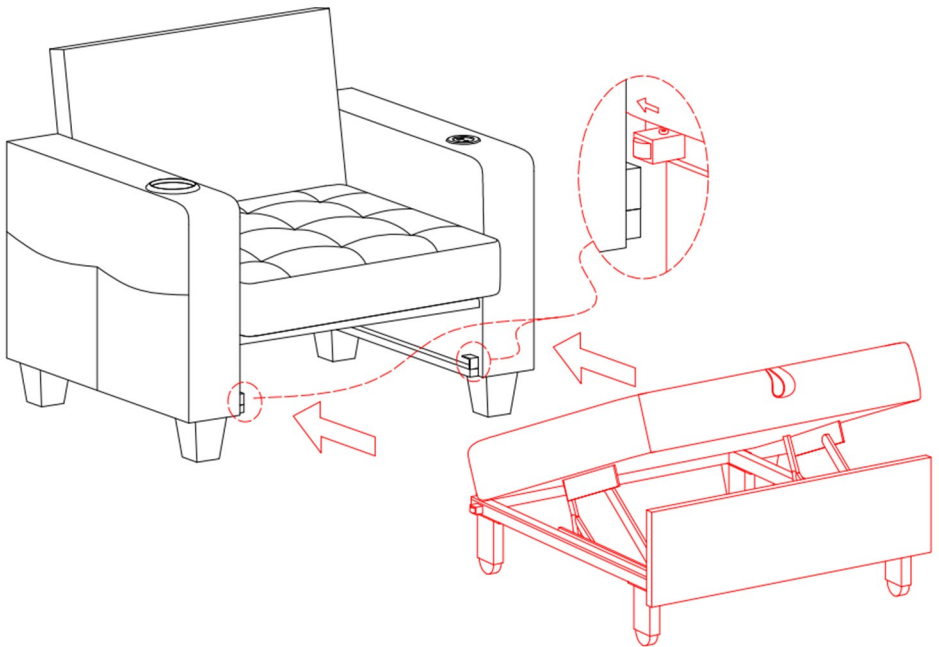
step 11

Install the Adjustable Racks on the Footrest Frame (M) to the bottom of the Footrest Cushion as shown, use the allen wrench provided to tighten all the bolts.



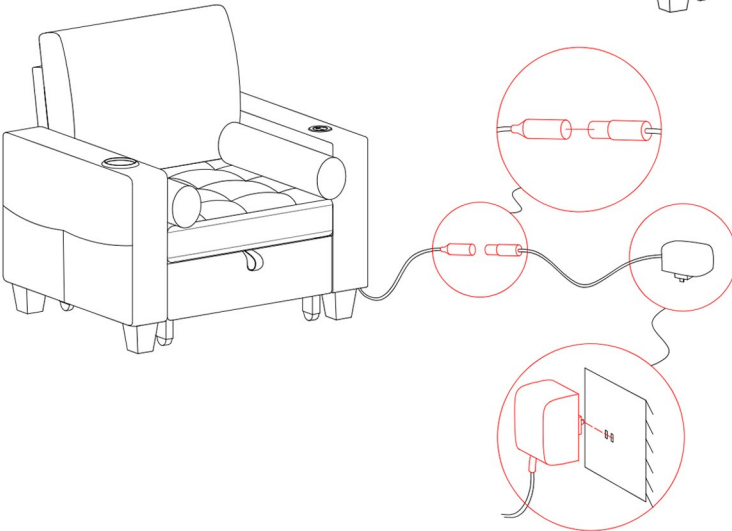
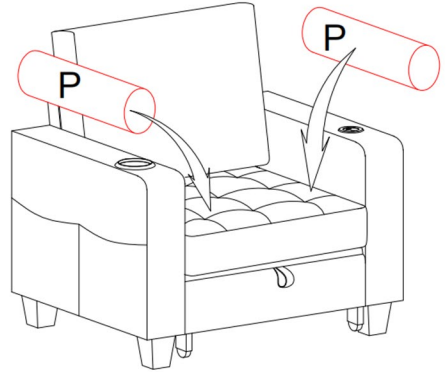
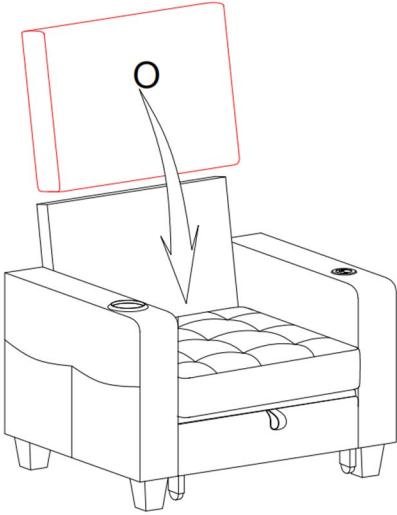
step 12

First, pull the handle 45-degree upwards, Lift up the Footrest a little and place the Sliding Wheels into the Rails as shown. Make sure the Sliding Wheels on both sides are inside the rail. Then push the Footrest into the bottom of the chair.



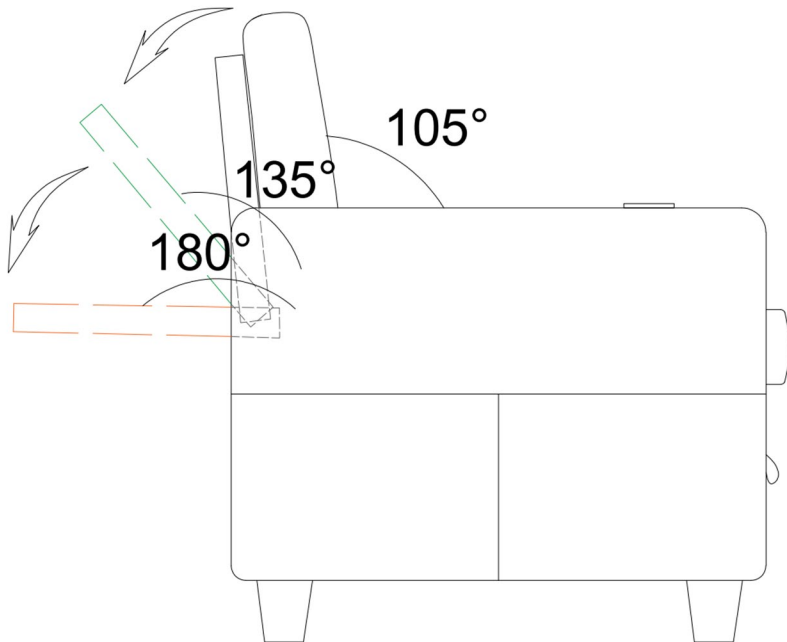
step 13

Then please the back cushion(O) on it, finally please the pillow (P) on it. Connect the DC port to the Plug as shown, and plug in to power up the USB charger on the Left Armrest.



step 14

Stand by the side of the chair, push the backrest forward a little, then pull it back until the backrest is around 135 degree. When you hear the locking sound of the metal parts, the second gear is fixed. If you want to use the recline function, push the backrest forward a little, then pull the backrest all the way down to 180 degree, or until you hear the locking sound of the metal part.

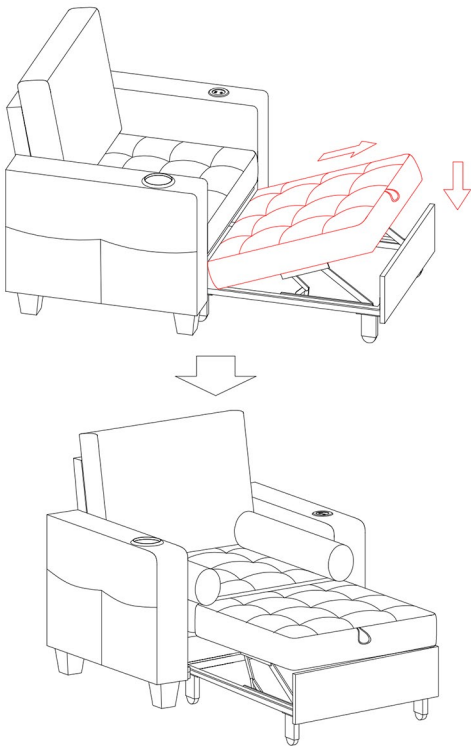


step 15

Grab the handle of the Footrest, and pull the handle 45-degree upwards. When the Cushion Top reached a certain height, pull the rest of the cushion out.

You can put the Footrest back when not needed, simply pull the handle on the Footrest upwards, and push the Footrest back into the bottom of the Chair.

1.



2.

