

ASSEMBLY INSTRUCTIONS COASTER FINE FURNITURE



Fine Furniture for every stage of life



ASSEMBLY INSTRUCTIONS

ASSEMBLY TIPS:

1. Remove hardware from box and sort by size.
2. Please check to see that all hardware and parts are present prior to start of assembly.
3. Please follow attached instructions in the same sequence as numbered to assure fast & easy assembly.



WARNING!

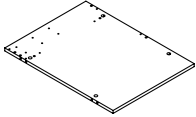
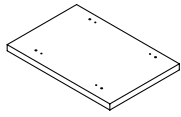
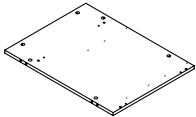
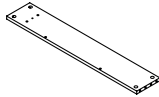
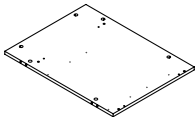
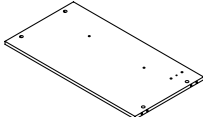
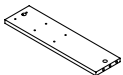
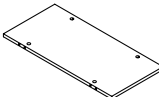
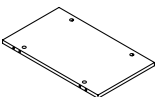
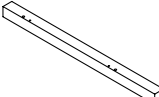
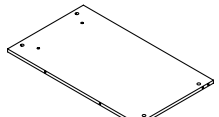
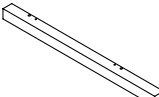
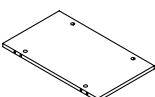
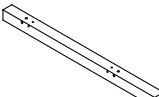
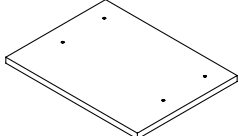
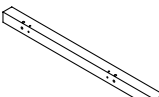
1. Don't attempt to repair or modify parts that are broken or defective. Please contact the store immediately.
2. This product is for home use only and not intended for commercial establishments.



ASSEMBLY TIME

90 MINUTES

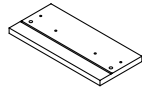
PARTS IDENTIFICATION

A	LEFT SIDE PANEL		1 PC	I	SMALL TOP PANEL		1 PC
B	RIGHT SIDE PANEL		1 PC	J	CROSSBAR		1 PC
C	RIGHT DIVIDER PANEL		1 PC	K	LEFT BACK PANEL		1 PC
D	SMALL DIVIDER PANEL		1 PC	L	RIGHT BACK PANEL		1 PC
E	BOTTOM PANEL		1 PC	M	LEG 1		2 PCS
F	LEFT CROSS PANEL		1 PC	N	LEG 2		2 PCS
G	RIGHT CROSS PANEL		1 PC	O	LEG 3		1 PC
H	LARGE TOP PANEL		1 PC	P	LEG 4		1 PC

NOTE:

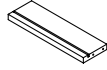
Phillips head screw driver is required in the assembly process; however, manufacturer does not provide this item.

Q **SMALL
DRAWER
FRONT PANEL**



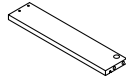
1 PC

R **SMALL
DRAWER BACK
PANEL**



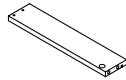
1 PC

S **LEFT DRAWER
SIDE PANEL**



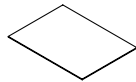
1 PC

T **RIGHT DRAWER
SIDE PANEL**



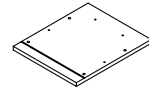
1 PC

U **SMALL
DRAWER
BOTTOM PANEL**



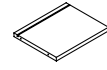
1 PC

V **LARGE
DRAWER
FRONT PANEL**



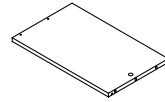
1 PC

A1 **LARGE
DRAWER BACK
PANEL**



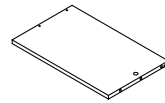
1 PC

B1 **LARGE LEFT
DRAWER SIDE
PANEL**



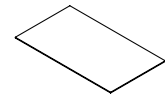
1 PC

C1 **LARGE RIGHT
DRAWER SIDE
PANEL**



1 PC

D1 **LARGE
DRAWER
BOTTOM PANEL**

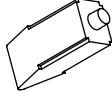

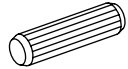
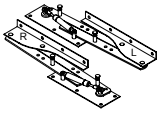
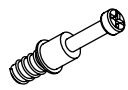


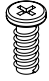






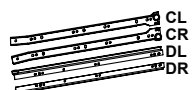
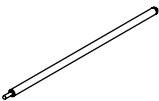

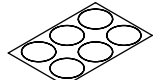

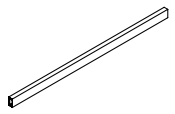
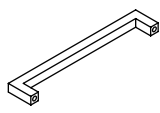


1 PC

NOTE:

Phillips head screw driver is required in the assembly process; however, manufacturer does not provide this item.

HARDWARE IDENTIFICATION

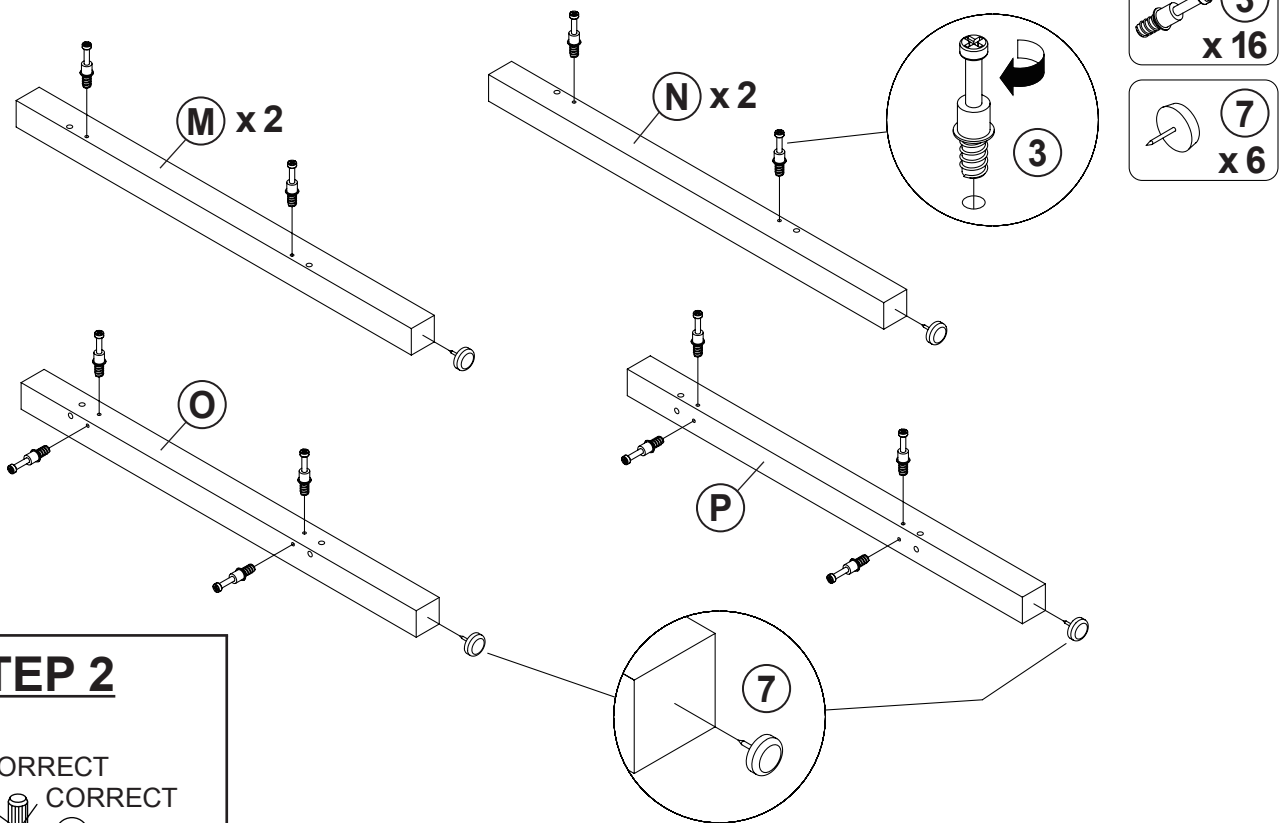
Z							
NO	DESCRIPTION	FIGURE	Q'TY	NO	DESCRIPTION	FIGURE	Q'TY
1	GLUE 40g		1 PC	12	HANDLE BOLT Ø4x28mm BLK		4 PCS
2	WOODEN DOWEL Ø8x30mm		56 PCS	13	LIFTER BLK		1 SET
3	CAM BOLT Ø7x35.5mm SR		46 PCS	14	SPRING BLK		2 PCS
4	CAM LOCK Ø15x12mm SR		46 PCS	15	BOLT Ø5.8x16mm BLK		12 PCS
5	SCREW Ø4.5x42mm SR		2 PCS	16	BOLT M6x28mm BLK		4 PCS
6	SCREW Ø4.3x35mm SR		8 PCS	17	BOLT M6x19mm BLK		4 PCS
7	PLASTIC FEET Ø15mm		6 PCS	18	ALLEN WRENCH 4mm SR		1 PC
8	GLIDES L = 450mm BLK		1 SET	19	IRON BAR Ø9.5x261mm SR		2 PCS
9	GLIDES L = 350mm BLK		1 SET	20	STICKER Ø 20mm		8 PCS
10	GLIDES SCREW Ø3x12mm BLK		26 PCS	21	CROSSBAR L=644mm		1 PC
11	HANDLE L=137.5mm		2 PCS				

Z8,Z9,Z11,Z13,Z14,Z19,Z21 not included in blister packaging.

NOTE:

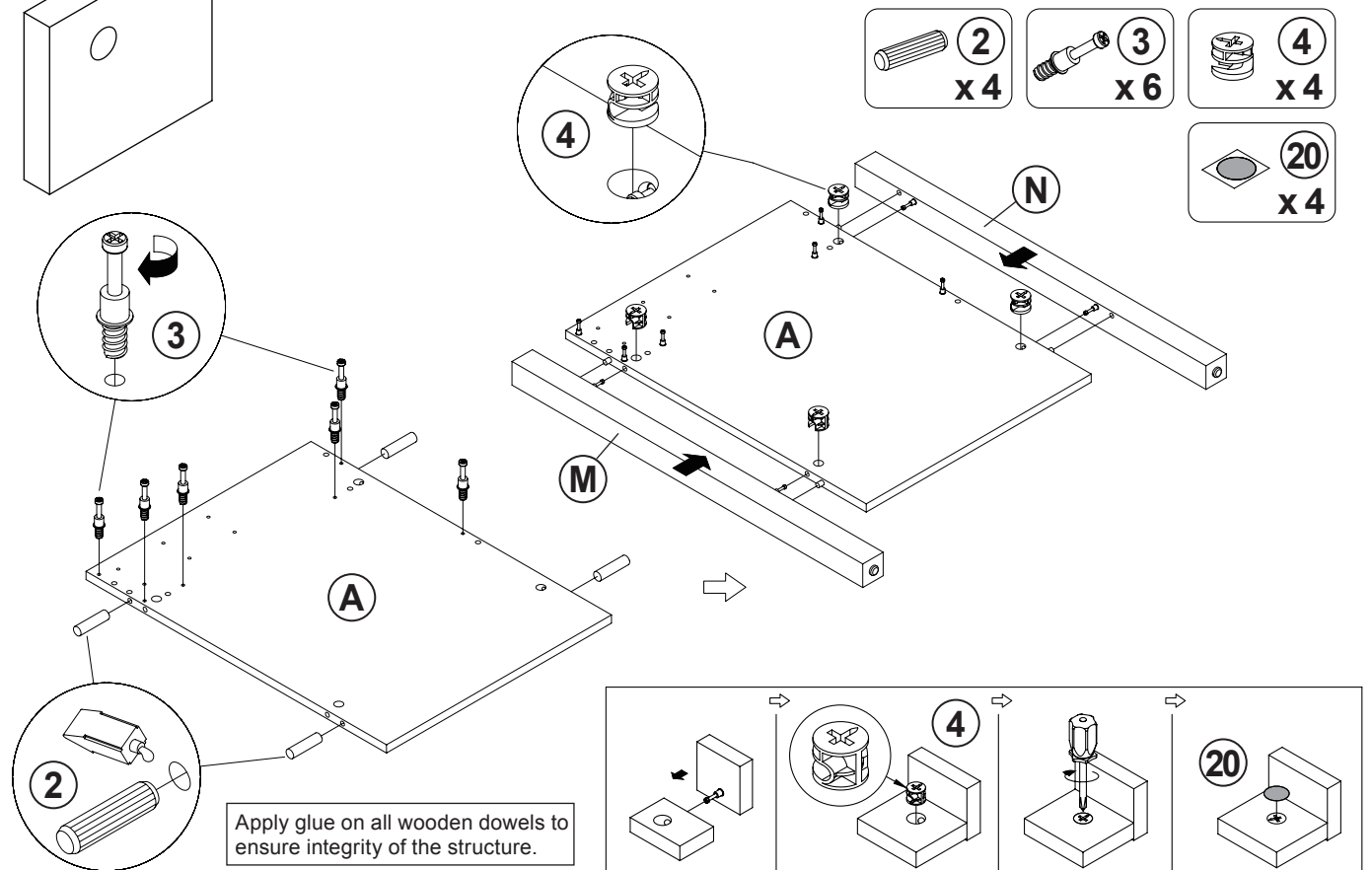
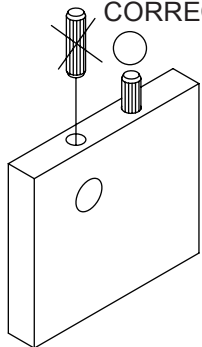
Phillips head screw driver is required in the assembly process; however, manufacturer does not provide this item.

STEP 1

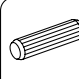
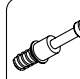




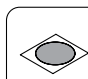


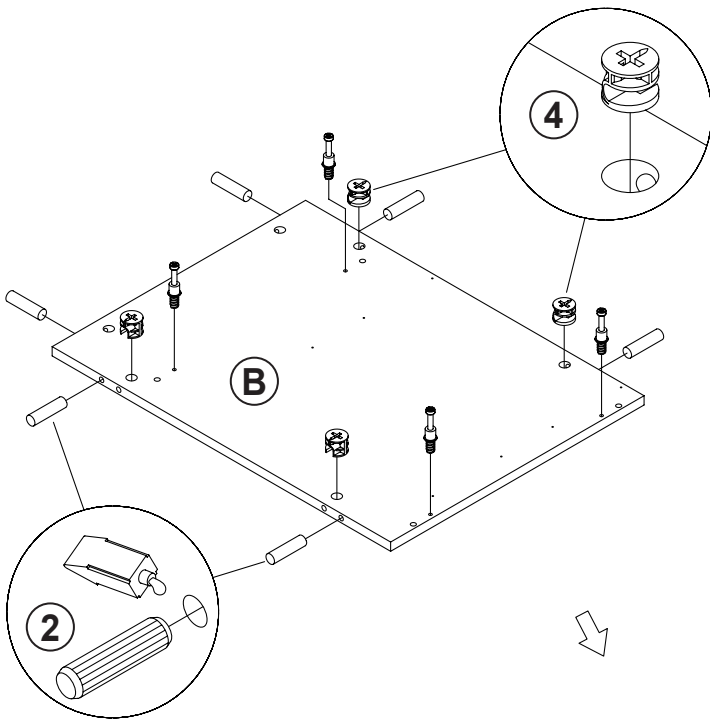
STEP 2

INCORRECT
CORRECT

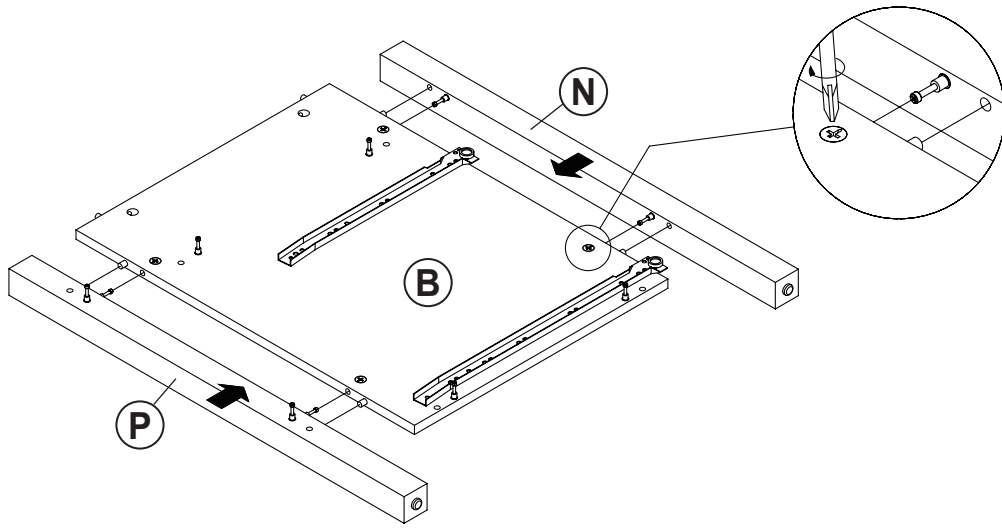
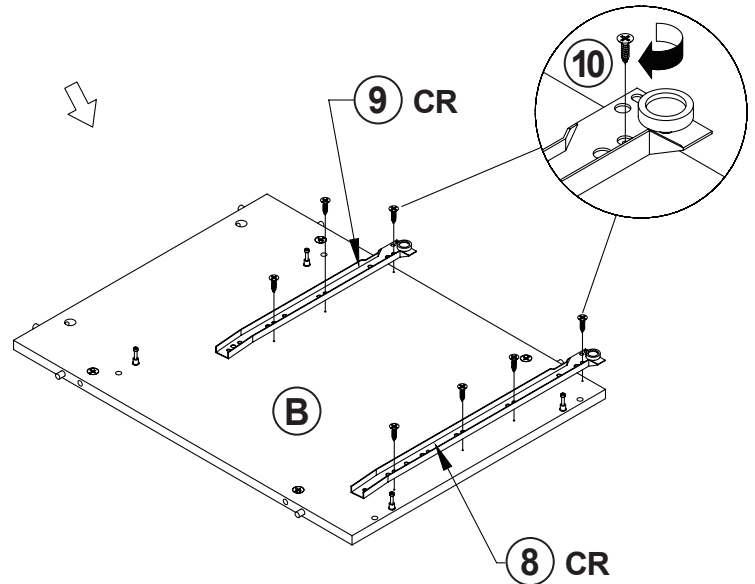


STEP 3

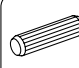
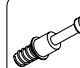





- | | |
|--|--|
|  2
x 6 |  3
x 4 |
|  4
x 4 |  8 x 1
CR |
|  9 x 1
CR |  10
x 7 |
|  20
x 4 | |

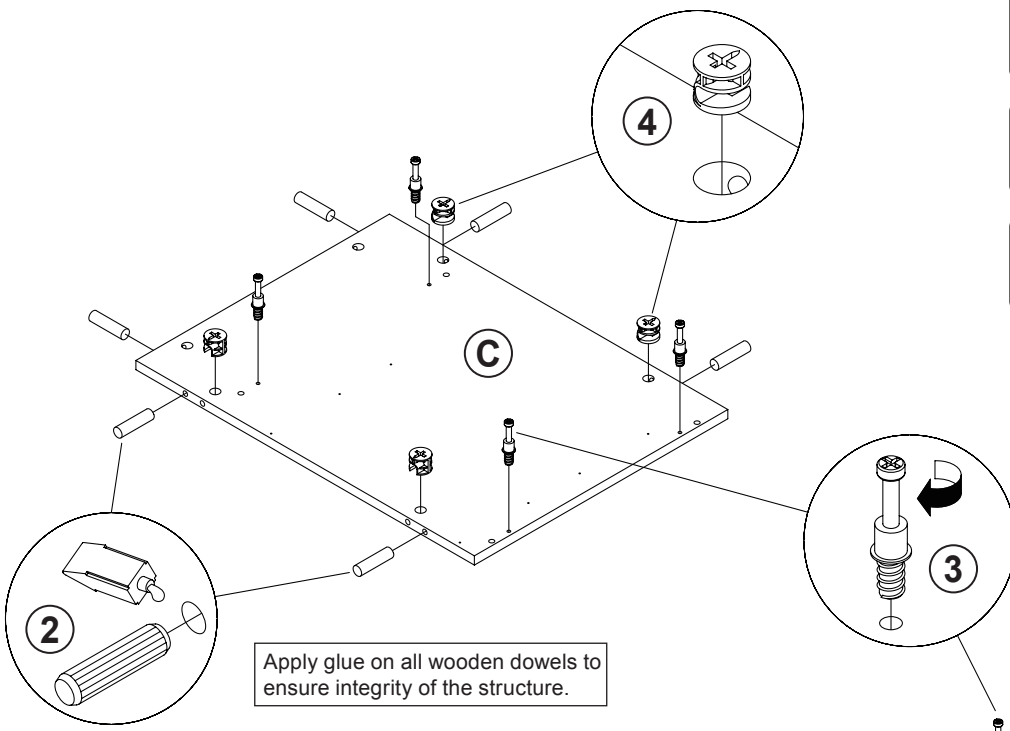


Apply glue on all wooden dowels to ensure integrity of the structure.

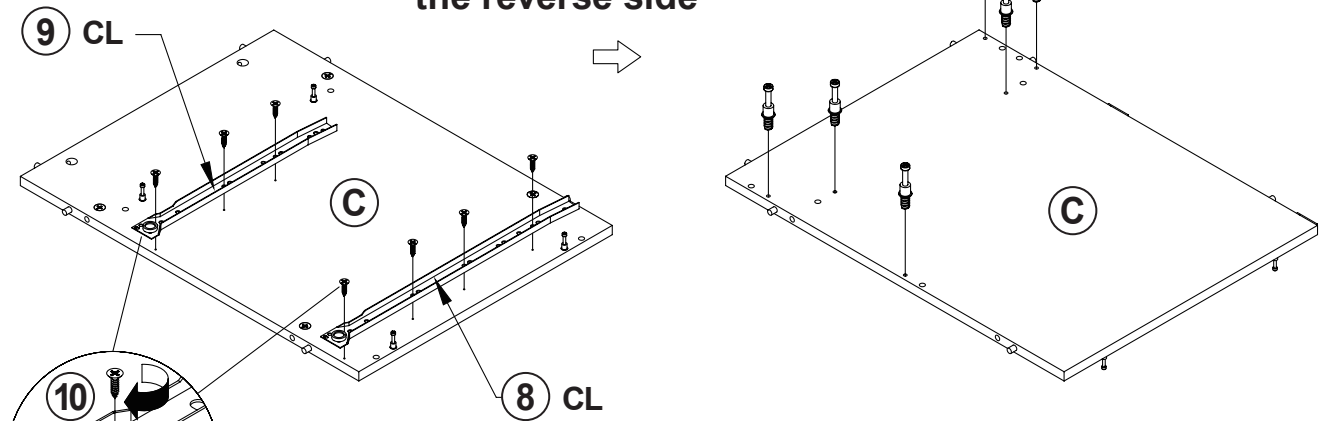


STEP 4

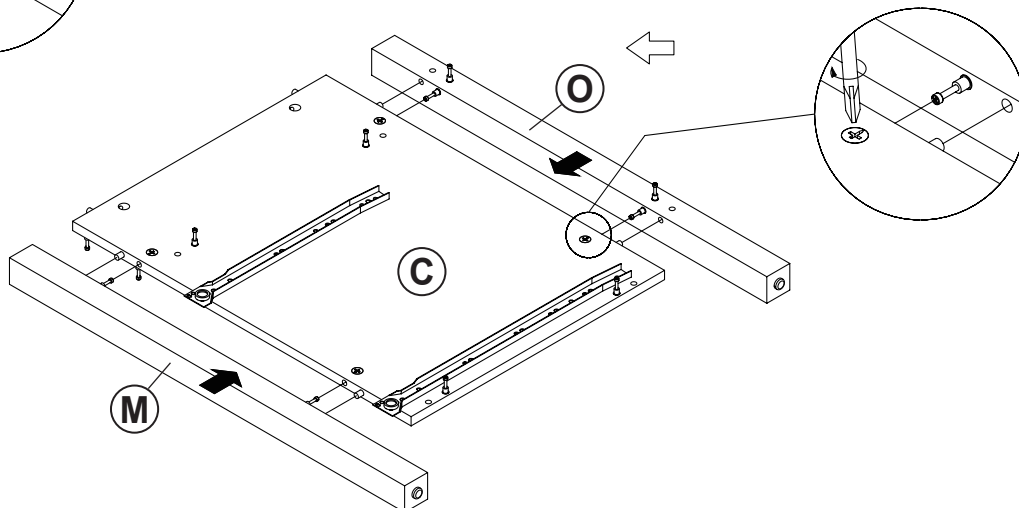
- | | |
|--|--|
|  2
x 6 |  3
x 10 |
|  4
x 4 |  8 x 1
CL |
|  9 x 1
CL |  10
x 7 |
|  20
x 4 | |



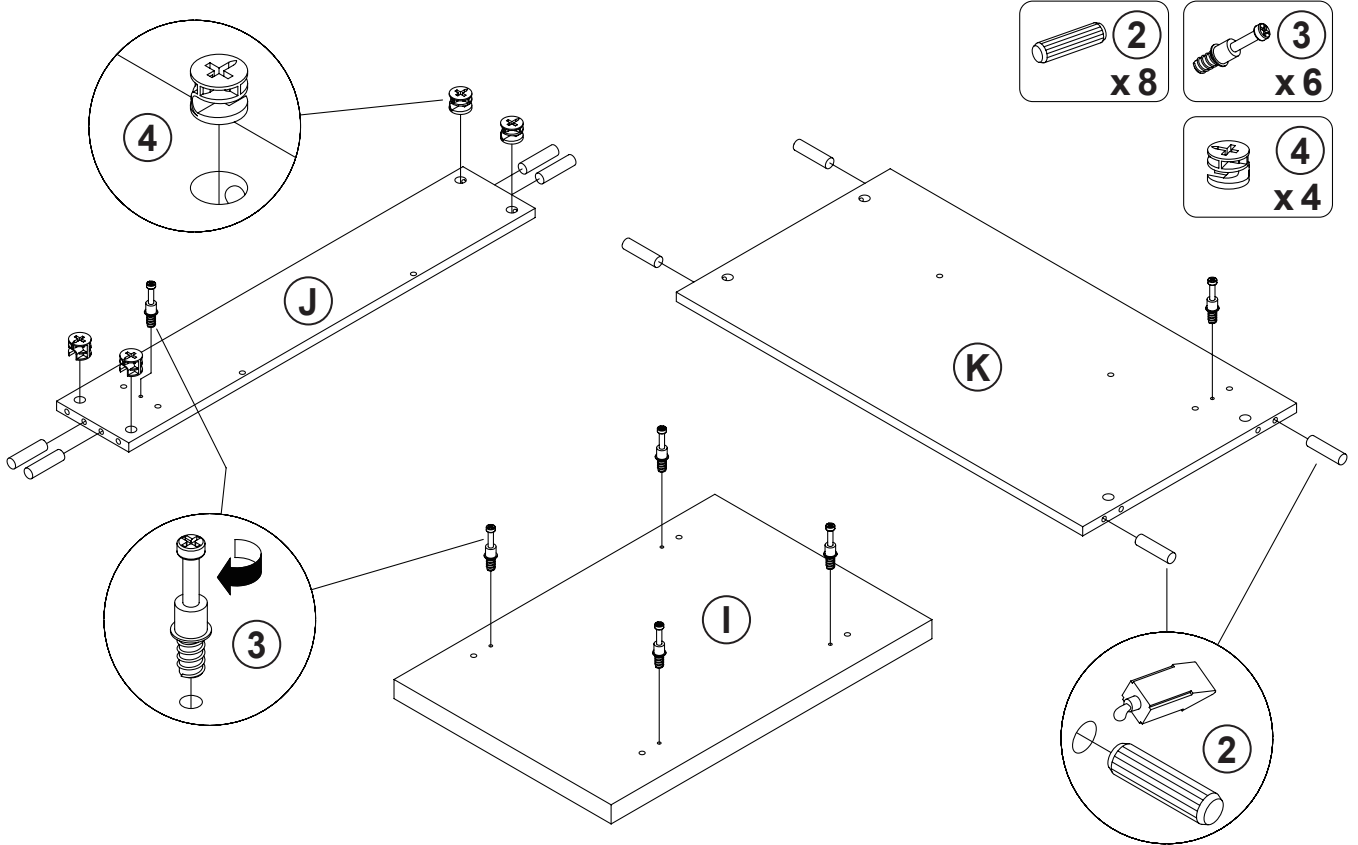
the reverse side



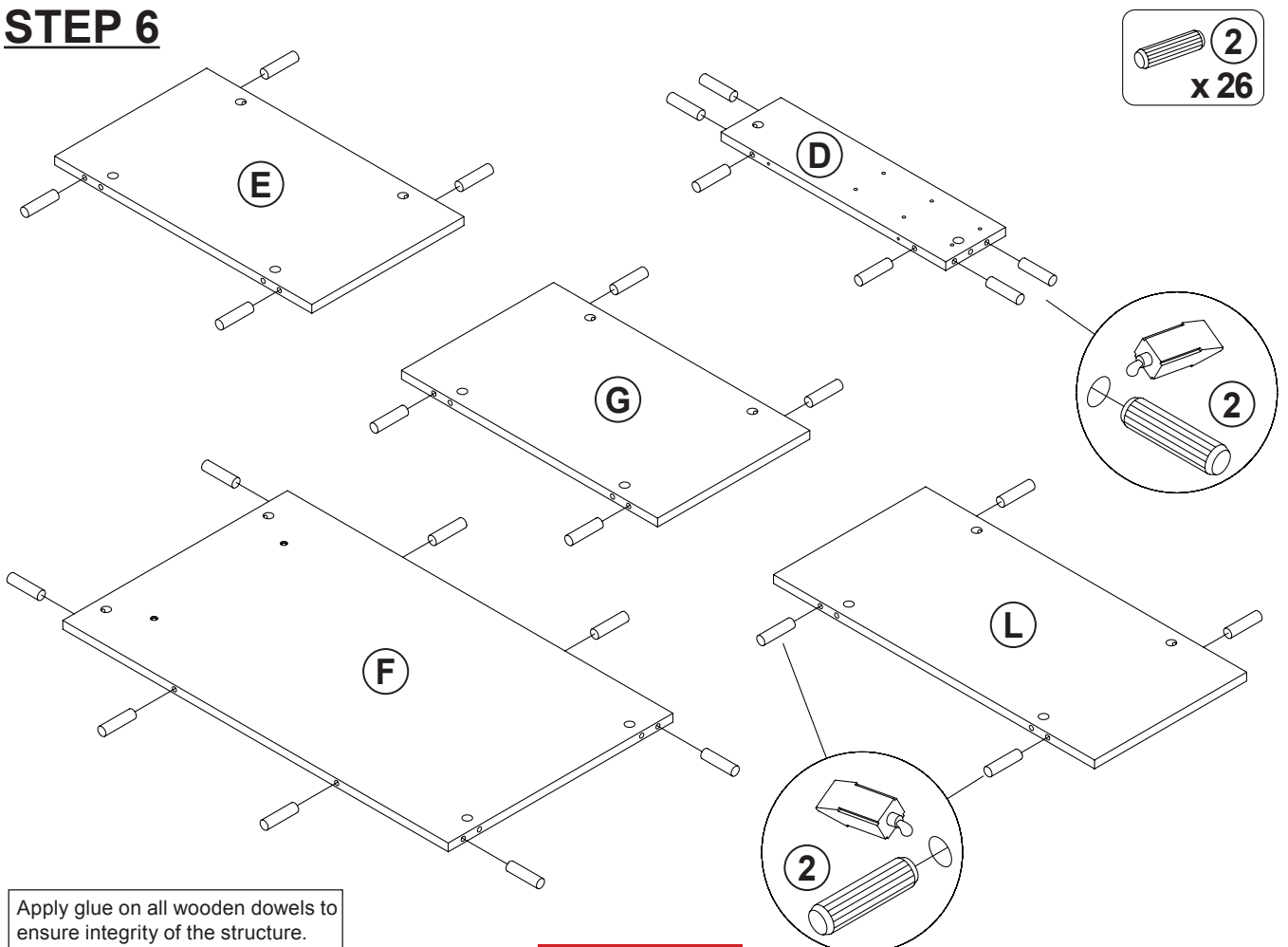
the reverse side



STEP 5

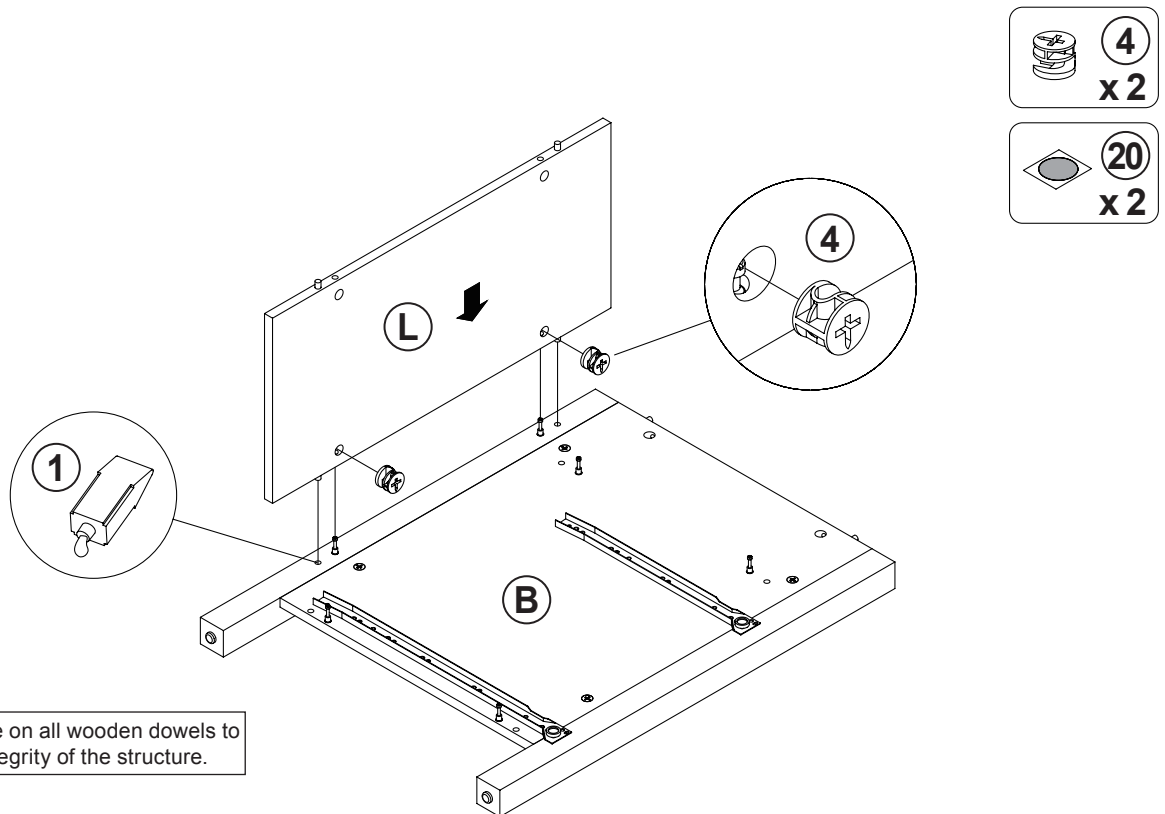


STEP 6

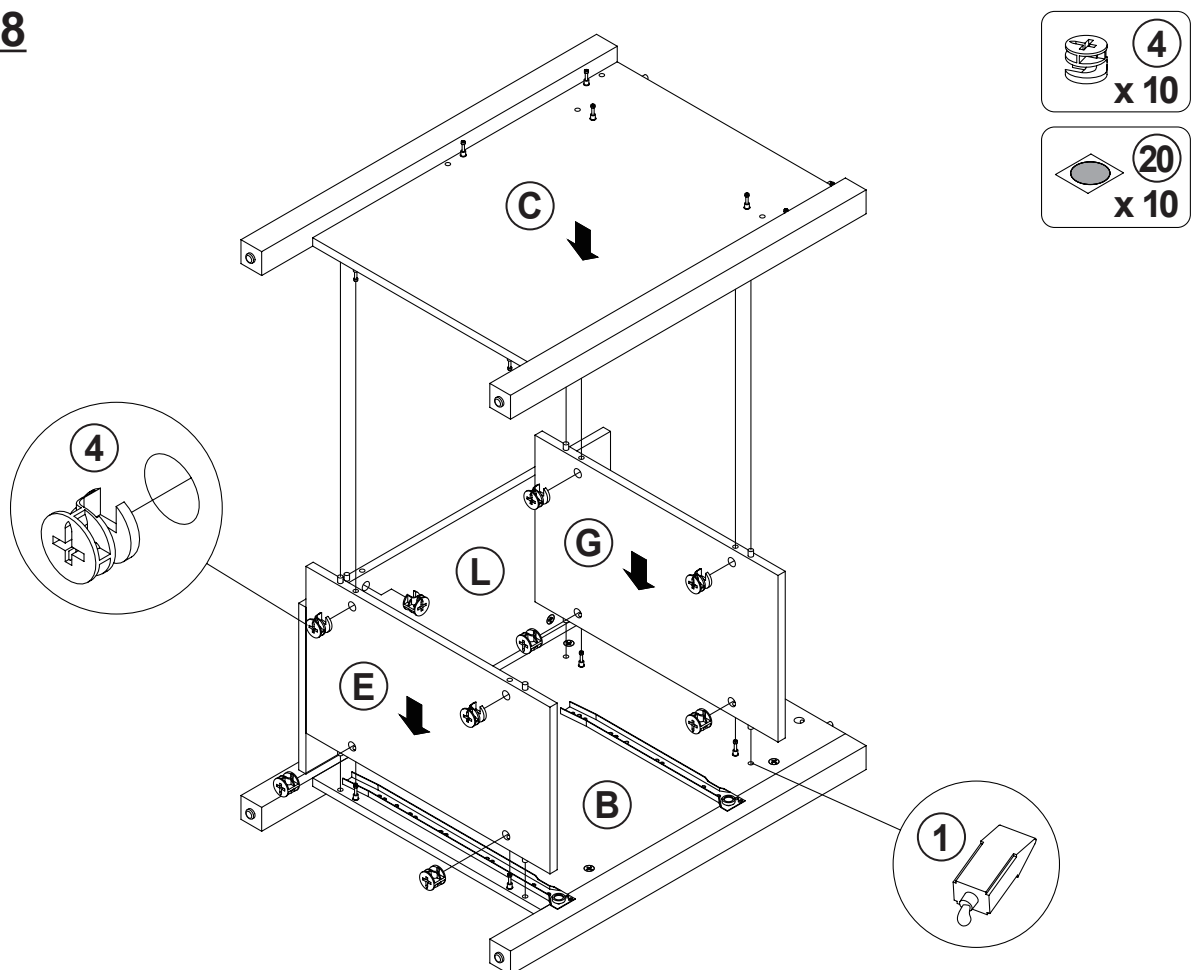


Apply glue on all wooden dowels to ensure integrity of the structure.

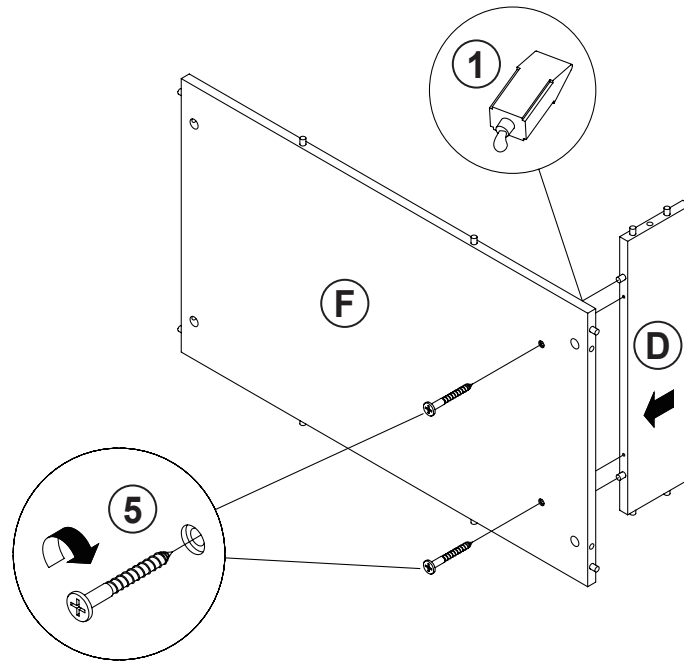
STEP 7



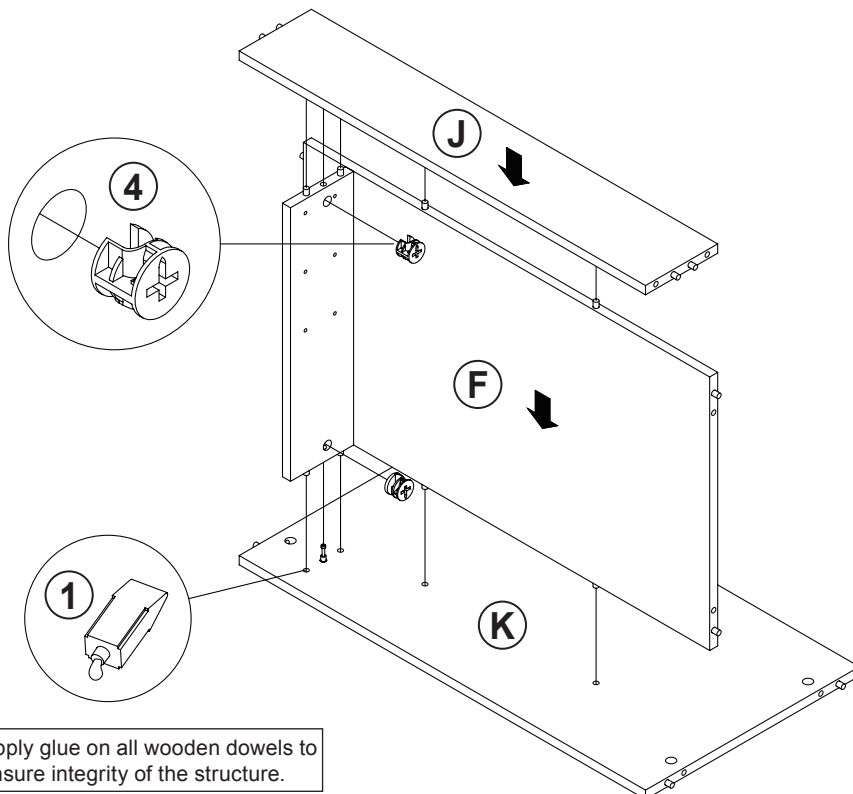
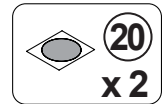
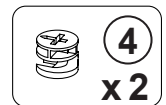
STEP 8



STEP 9

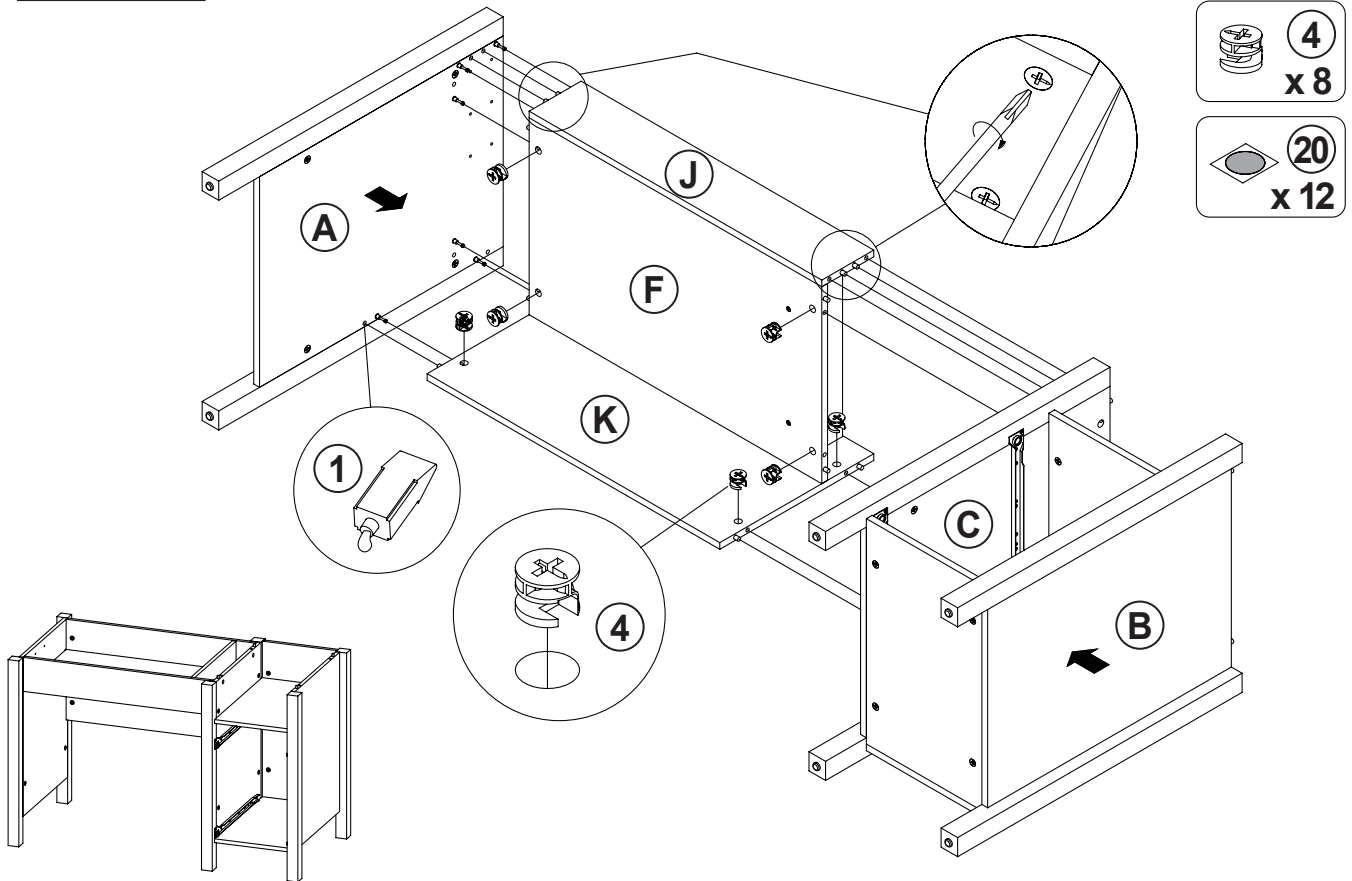


STEP 10

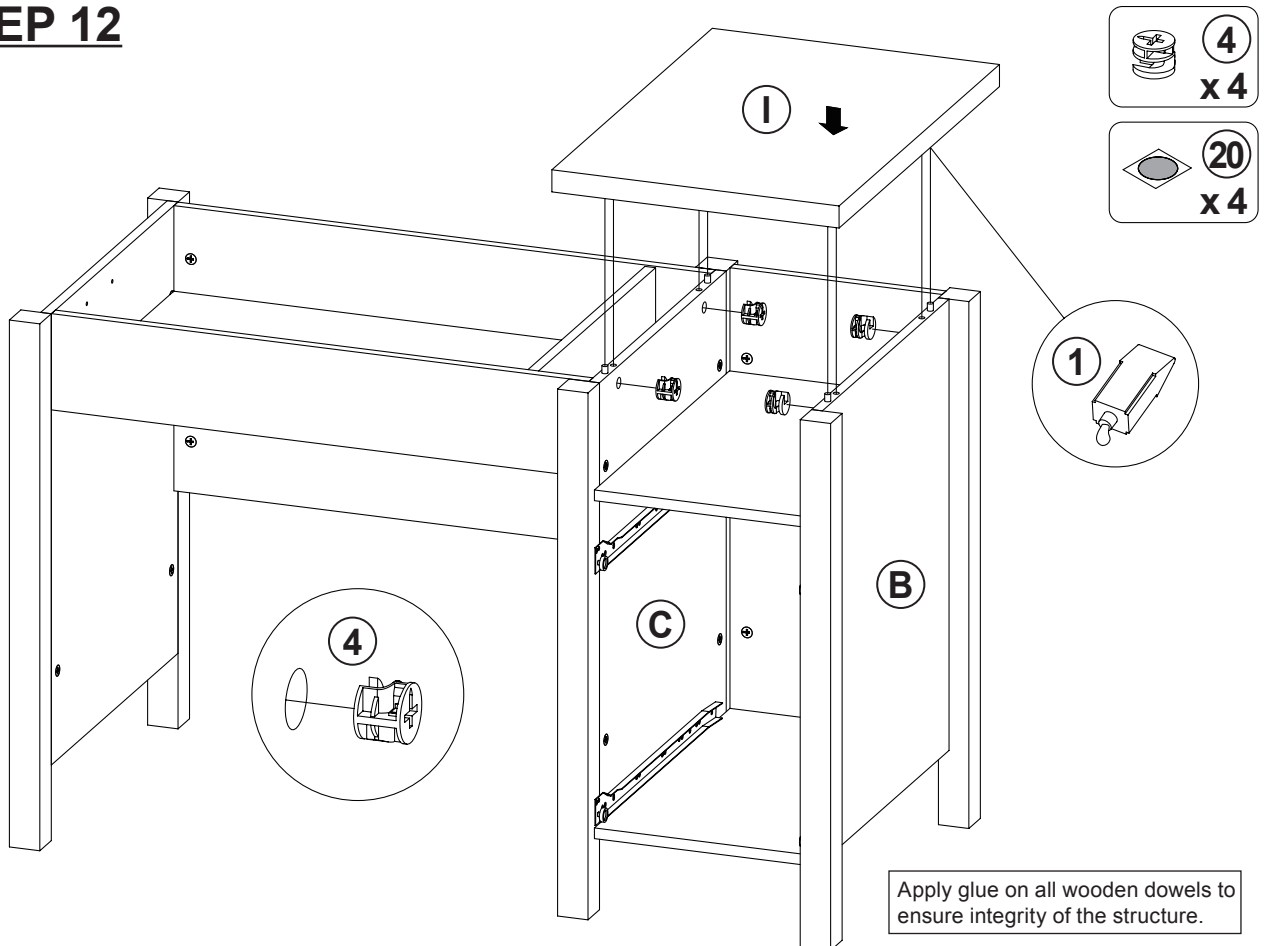


Apply glue on all wooden dowels to ensure integrity of the structure.

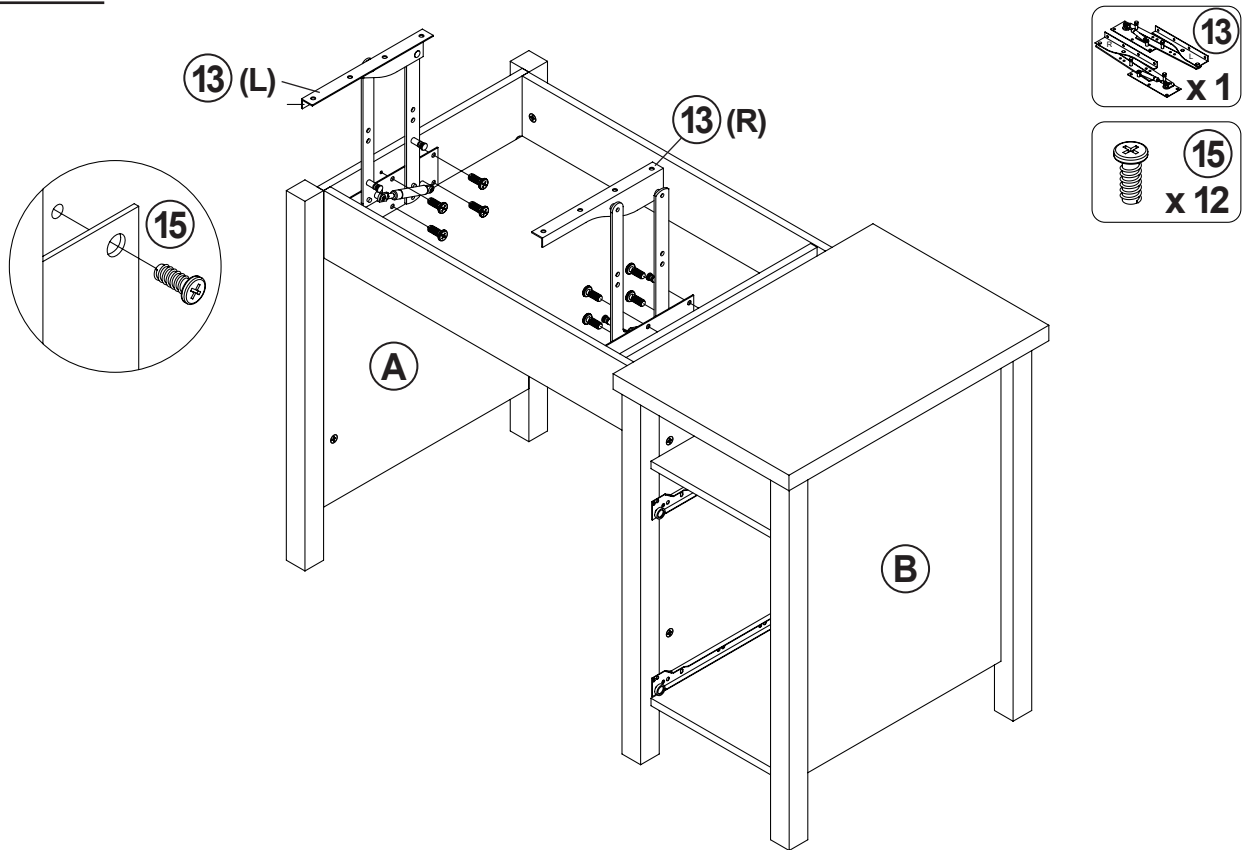
STEP 11



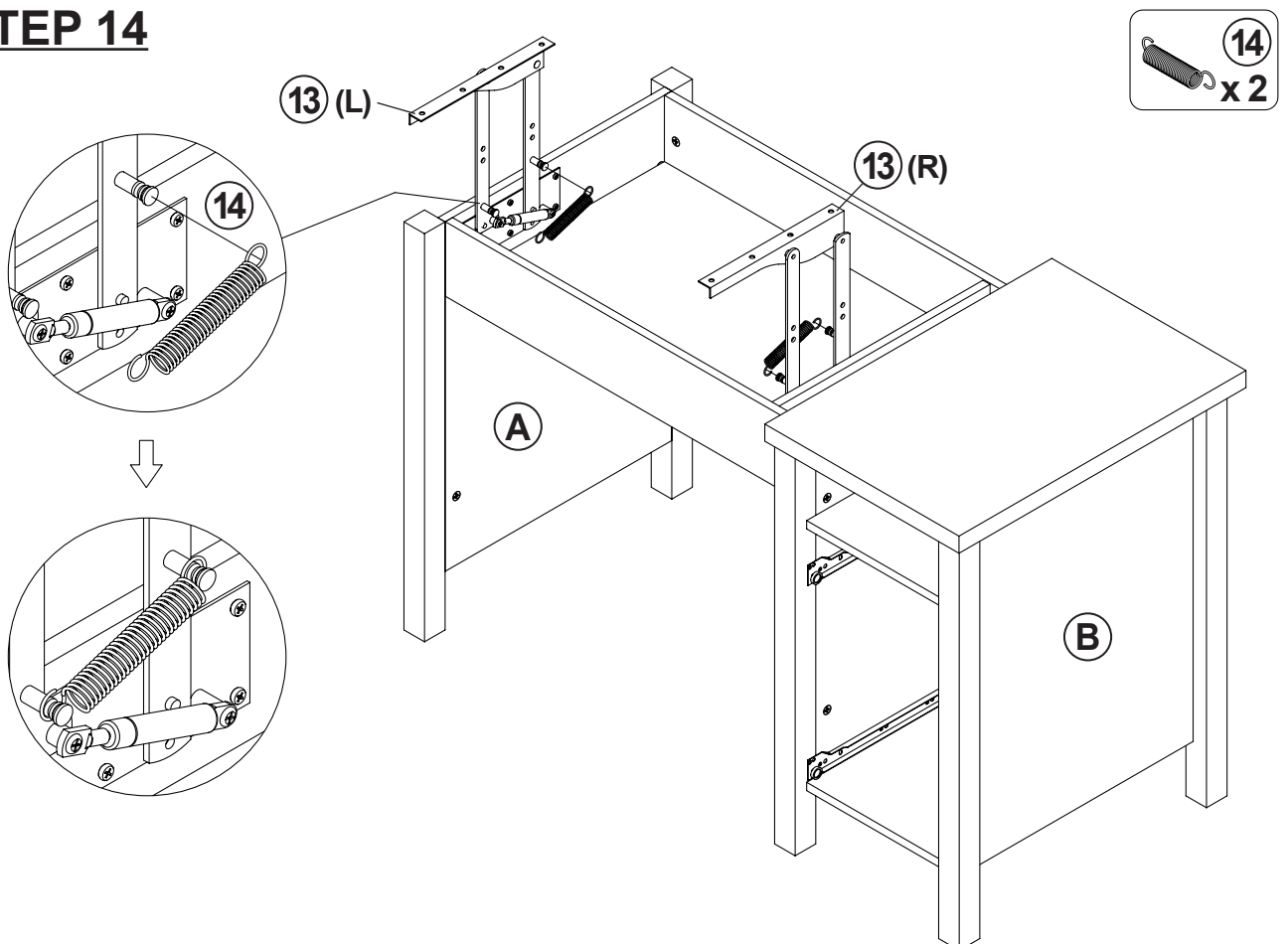
STEP 12



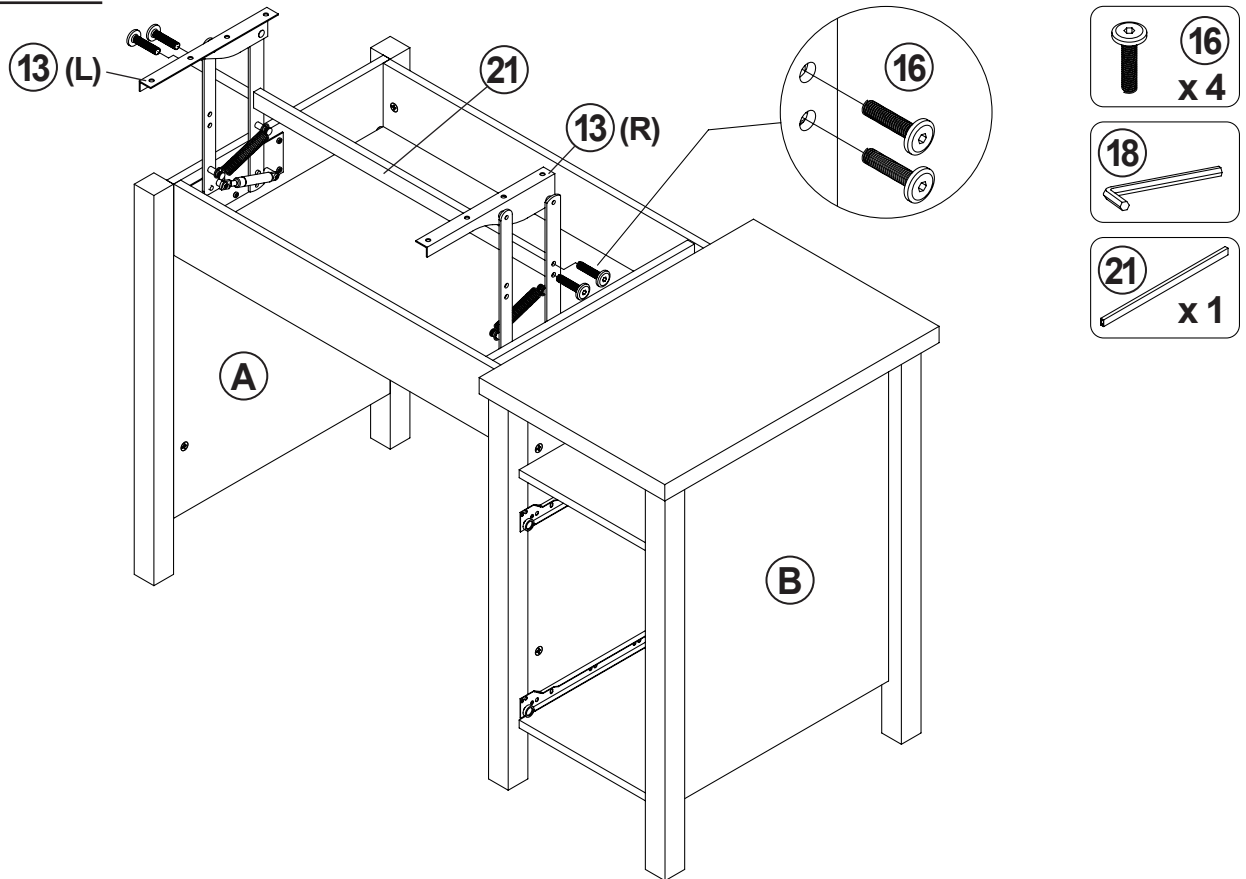
STEP 13



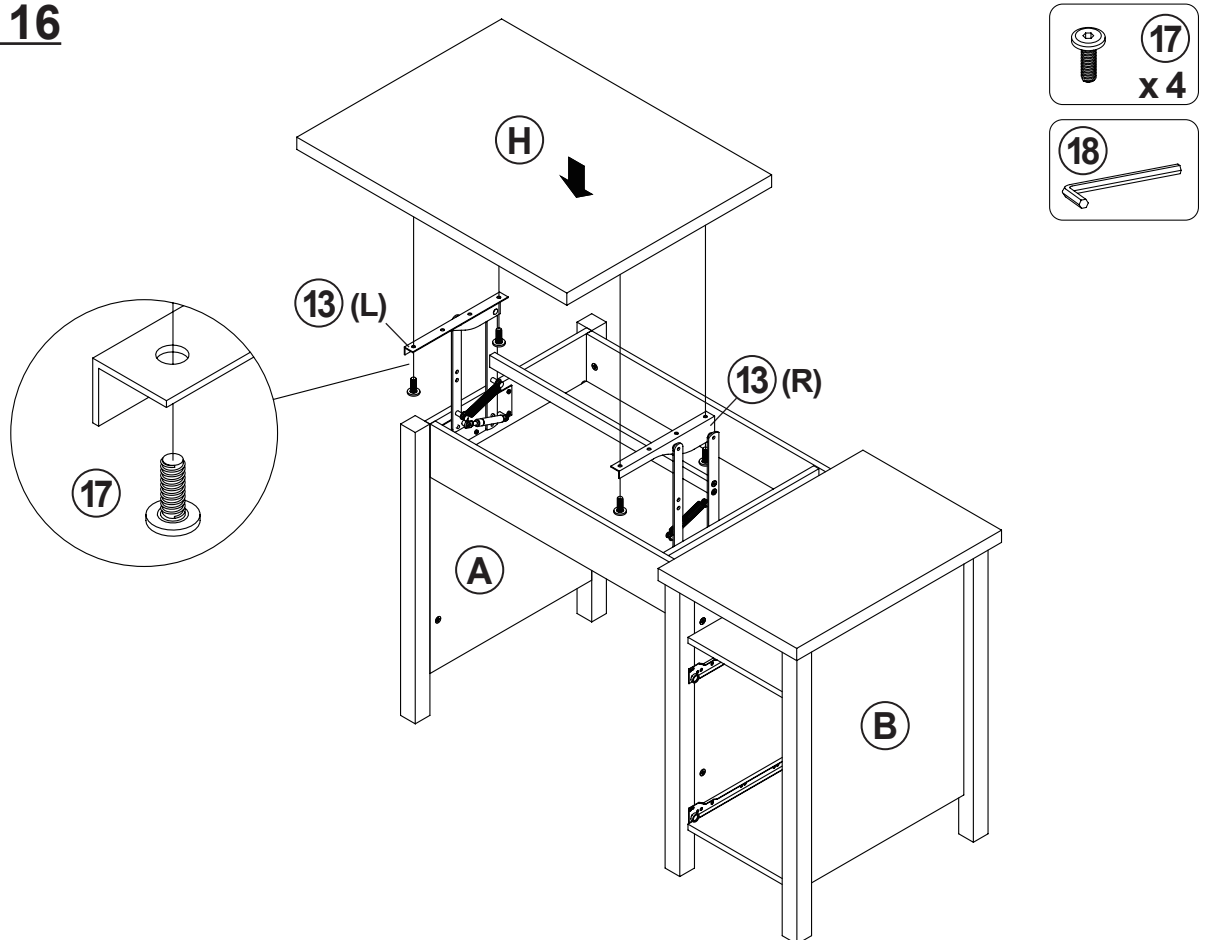
STEP 14



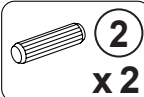
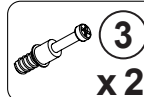

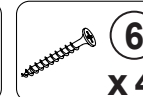
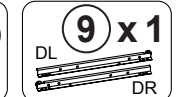
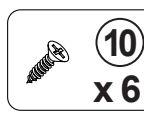
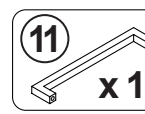
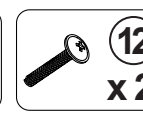
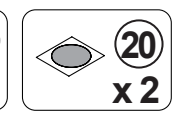
STEP 15

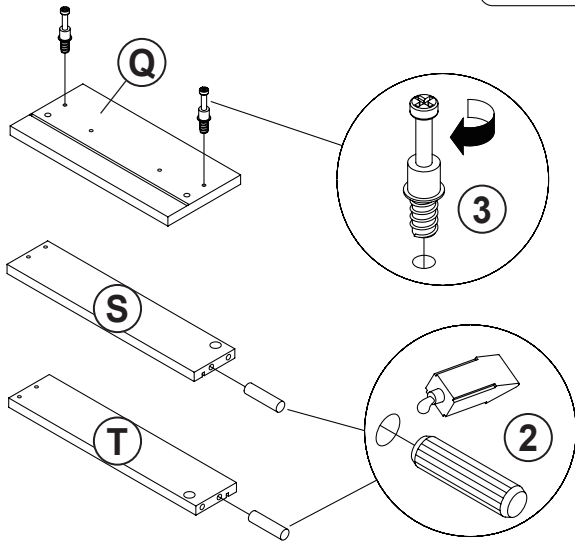


STEP 16

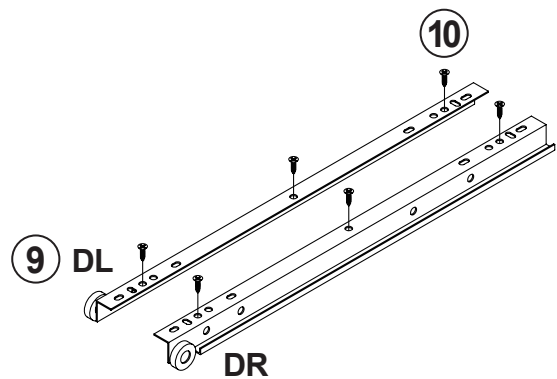
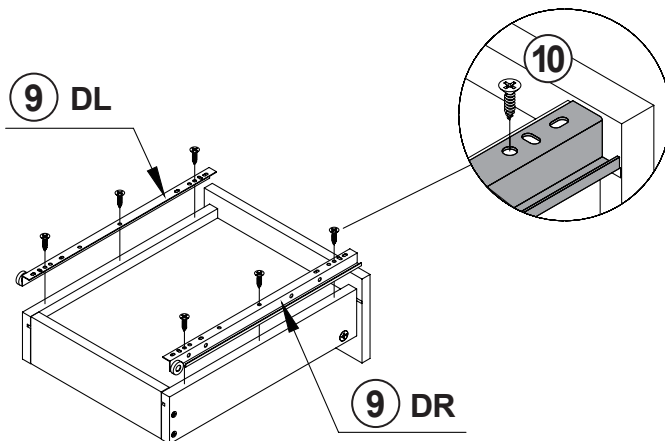
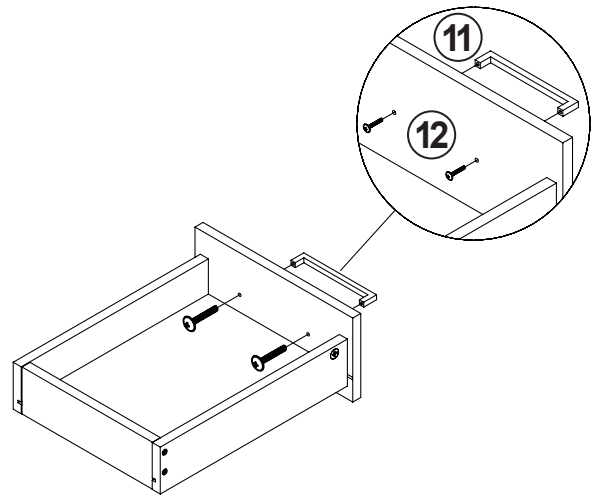
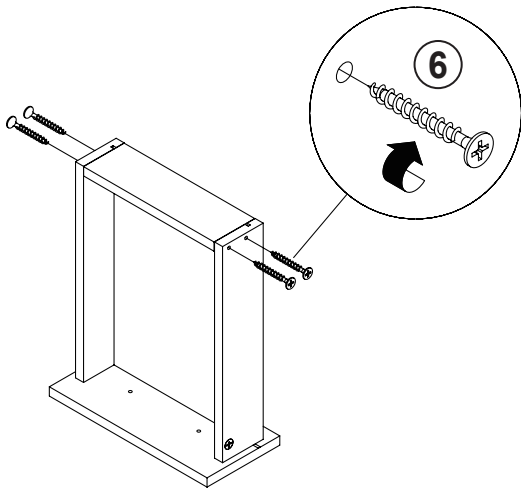
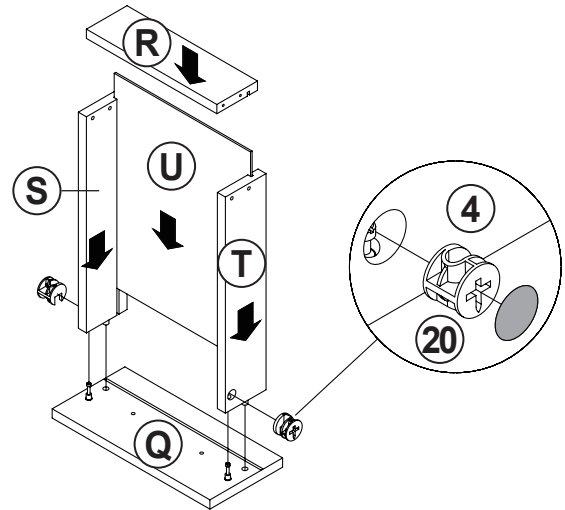


STEP 17

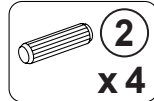
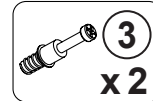

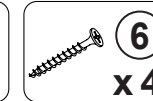
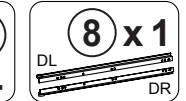
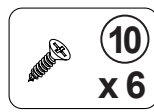
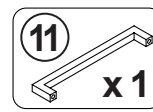

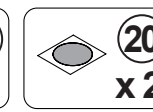
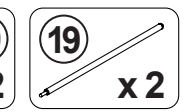
- 
2
x 2
- 
3
x 2
- 
4
x 2
- 
6
x 4
- 
9 x 1
DL
DR
- 
10
x 6
- 
11
x 1
- 
12
x 2
- 
20
x 2

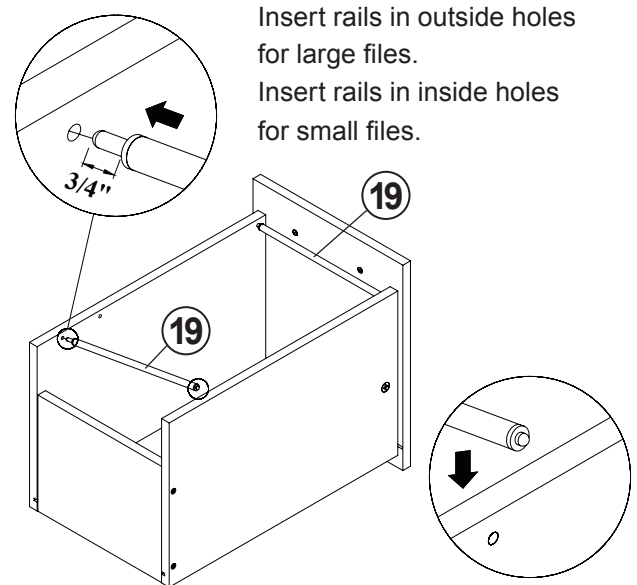
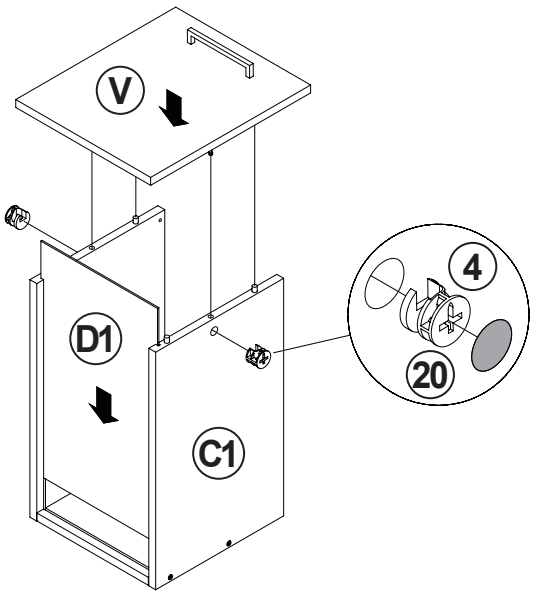
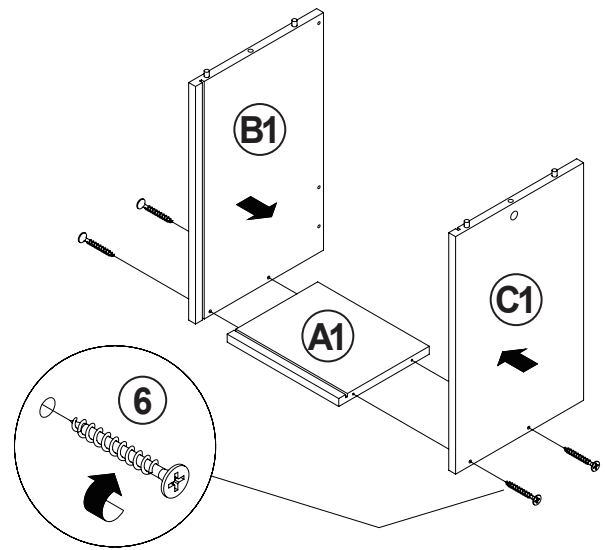
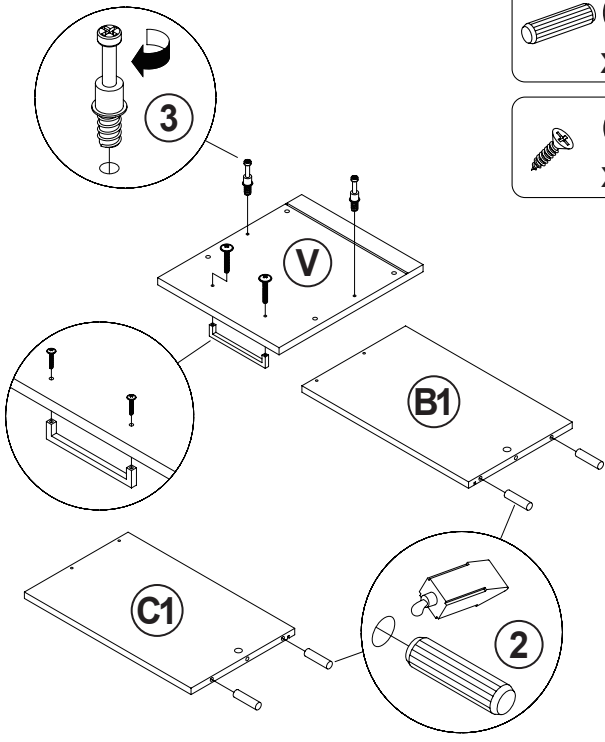


Apply glue on all wooden dowels to ensure integrity of the structure.

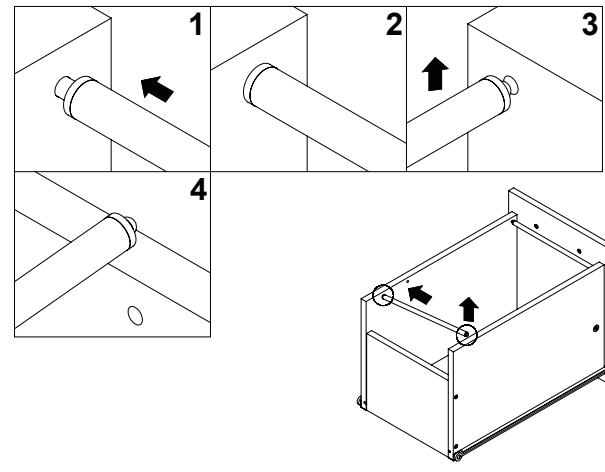
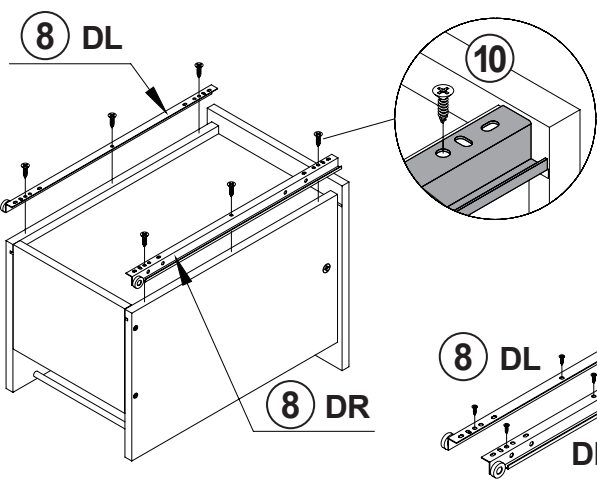


STEP 18

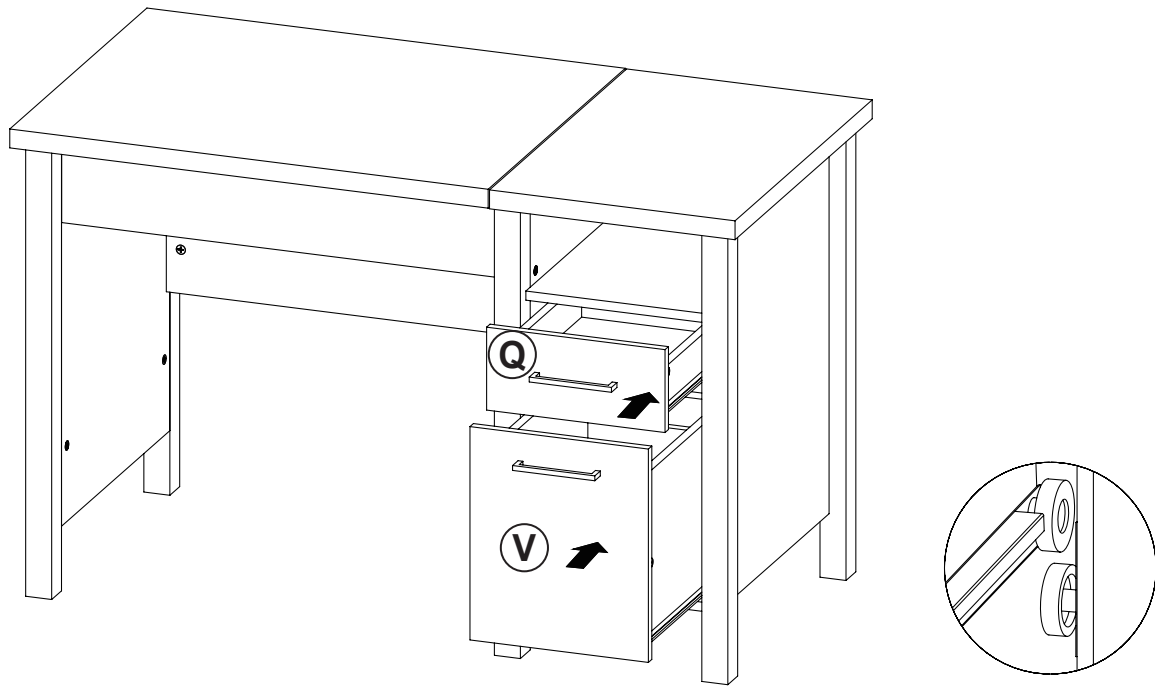
- | | | | | |
|---|---|--|---|---|
|  2
x 4 |  3
x 2 |  4
x 2 |  6
x 4 |  8 x 1
DL
DR |
|  10
x 6 |  11
x 1 |  12
x 2 |  20
x 2 |  19
x 2 |



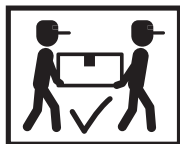
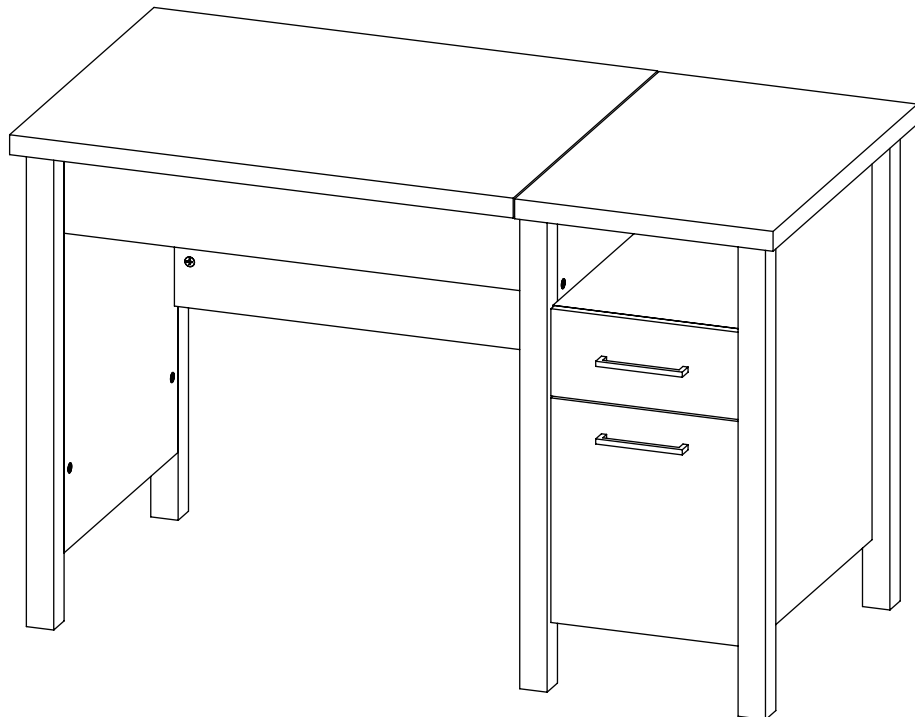
Insert rails in outside holes for large files.
Insert rails in inside holes for small files.

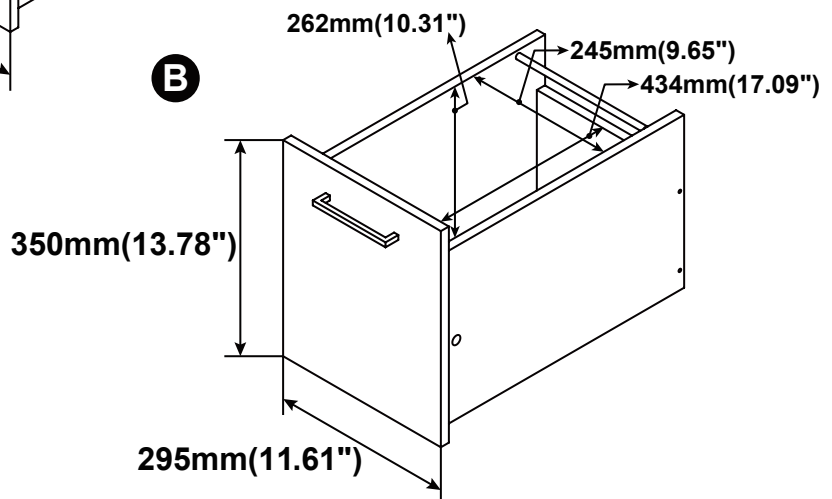
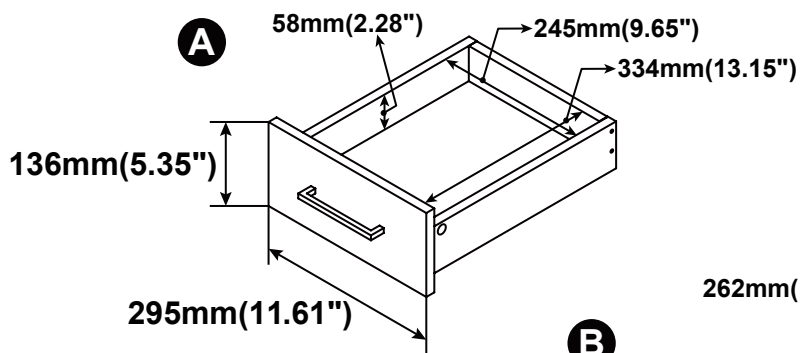
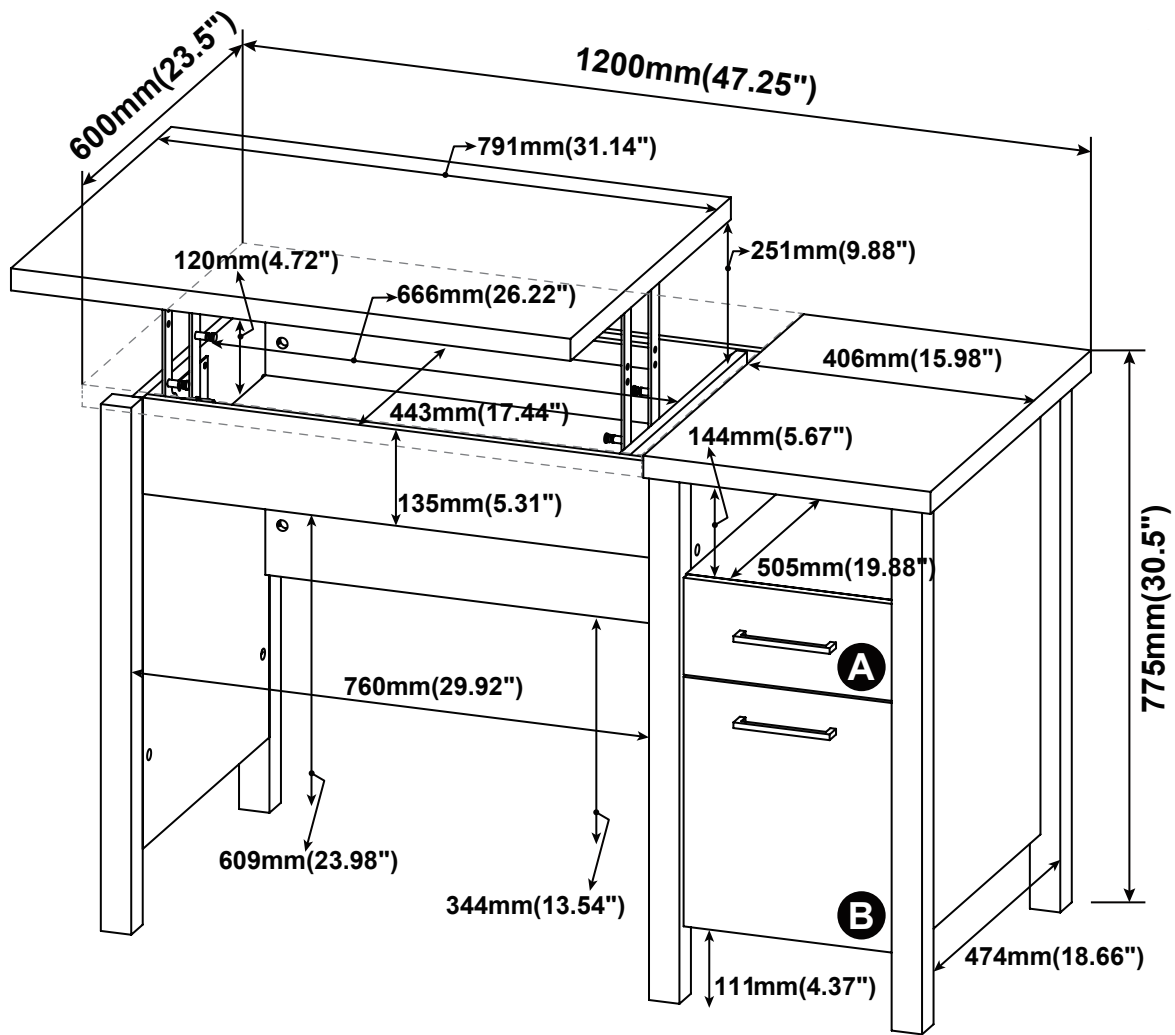


STEP 19



STEP 20 **COMPLETE**





Note : Dimension tolerance $\pm 5\%$