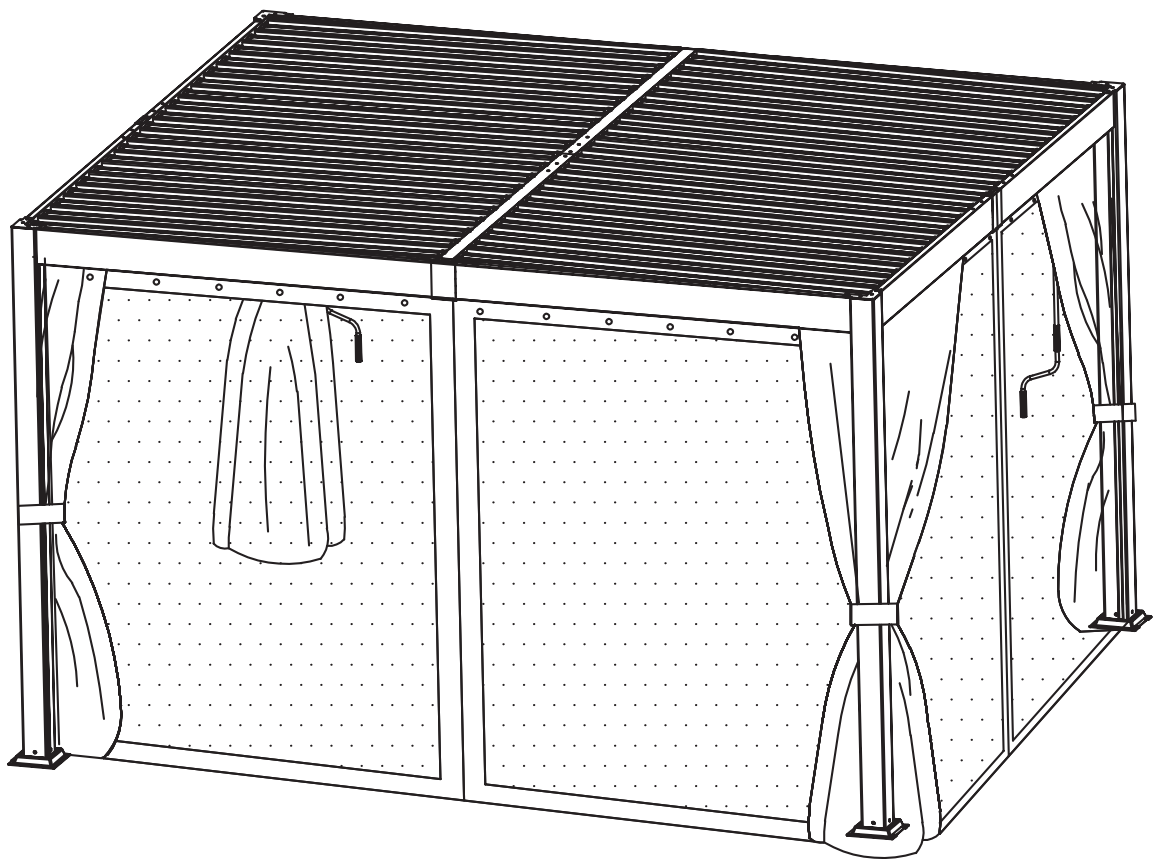


INSTALLATION INSTRUCTIONS

10x12 ft Pergola with Curtains and Nettings



Our team is available 24/7 to help with any product questions. Contact us anytime!

Warning

- Please read and understand this manual carefully before assembly. Before starting to assemble the product, please ensure that all parts are present. Please check the parts against the packing list. If you find any missing parts, please contact us.
- Any assembly or maintenance work on this product must be performed by adults. We recommend that at least two adults be involved.
- Please check your state and local regulations before purchasing. Some areas may require a permit for the installation and use of this product. There may be specific procedures in your area.
- Please install the Pergola on a flat surface. Ground stakes are included with the product to secure the Pergola to the ground.
- Do not assemble the Pergola on sandy, muddy, or loose soil, as the ground stakes will not provide sufficient anchoring in these types of soil.
- If you wish to secure the Pergola to a wooden deck or concrete surface, please use anchor bolts suitable for these surfaces.
- Some parts may contain sharp edges. Protective gloves are recommended.
- Keep children and pets away while assembling the Pergola.
- Regularly check all nuts and bolts to ensure they are tightened.
- Before starting assembly, carefully read each step and ensure you understand each step.
- Please refer to the diagrams. Place all parts from the box in a clean area and lay them flat on the floor in front of you.
- Remove all packaging materials and place them back in the box. Do not discard the packaging materials until assembly is complete.

Maintenance

- Snow must be removed regularly during snowy weather. Remove snow when the snow accumulation on the roof exceeds 2 inches (5 cm). To avoid damage, use a plastic snow rake to remove excess snow and ice from the roof, and be careful to stay clear of falling debris.
- This Pergola is for decorative and shading purposes only and is not designed to withstand severe weather conditions, including strong winds, heavy rain, and heavy snow.
- The steel components of this Pergola are coated with rust-resistant paint. However, due to the inherent properties of steel, oxidation (rusting) may still occur on the surface if the protective coating is scratched. This is not a product defect and is therefore not covered under warranty.
- To minimize this occurrence, it is recommended to handle the product carefully during assembly and handling to avoid scratching the paint. If any scratches or damage occur, it is recommended to immediately repair the scratches with rust-resistant paint (not included).
- Do not use bleach, acid, or other abrasive cleaners on the roof or frame components.
- Please keep these instructions for future reference.

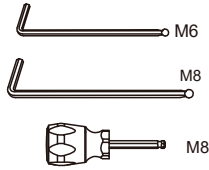
Pre-assembly

TOOLS THAT MAY BE REQUIRED (included in boxes)

***NOTE: Tools /equipment are not shown to actual size and scale.**



PHILLIPS SCREW



ALLEN KEY



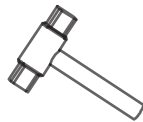
Wrench

EQUIPMENT REQUIRED (Not included in boxes)

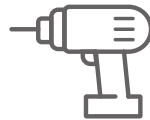
***NOTE: Equipment are not shown to actual size and scale.**



LEVEL



RUBBER MALLET



DRILL



SAFETY HAT



GLOVES



SAFETY GOGGLES



STEPLADDER

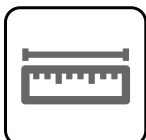
Matters needing attention



1. Two or more people are required for assembly.



2. Do not fully tighten screws prior to complete assembly.



3. Use a spirit level. Before proceeding, check that the device or component is perfectly level.


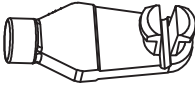

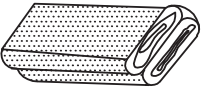


4. Use a square to check: Before tightening the bolts, check that the assembly is square.




5. Do not overtighten the mounting bolts. Overtightening can cause the wood to crack, splinter, and result in other structural damage.

Part Lists

Part Number	Part Image	Description	QTY
T1		plastic plug	18
U		plastic hook	88
U1		enclosure cloth	4
U2		mesh	4

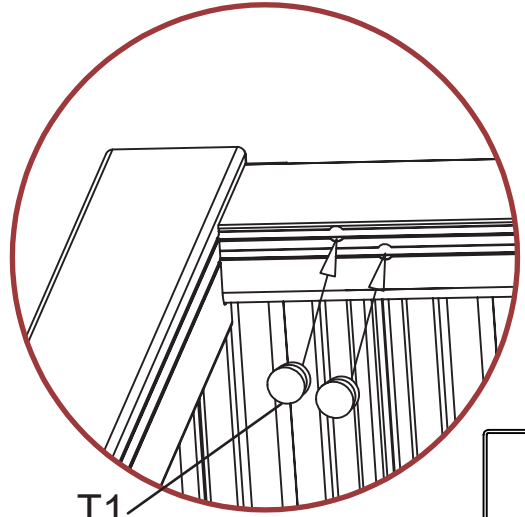
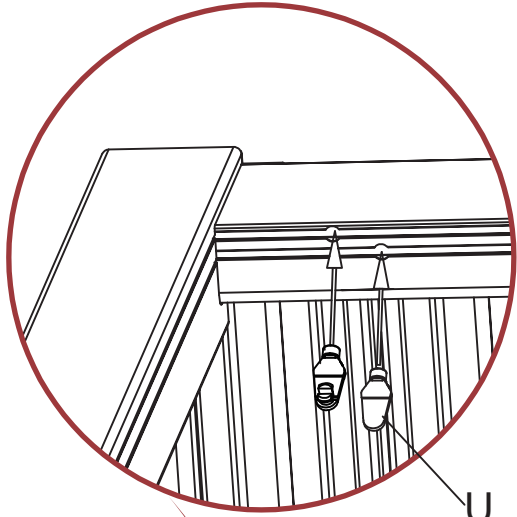
STEP 1

 U:88PCS
plastic hook

 T1:16PCS
plastic plug

1.Put U into the chute

2.Insert T1 sliding slot



U
plastic hook

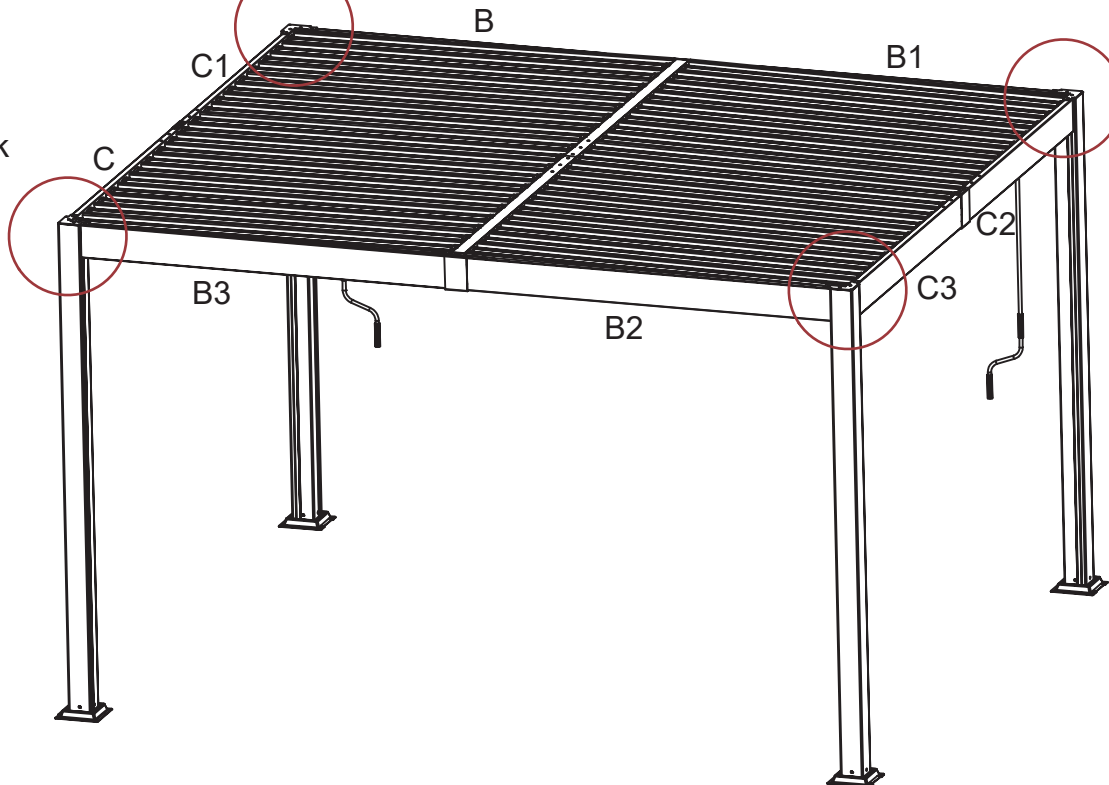
T1
plastic plug

C/C1/C2/C3
Edge beam

B/B1/B2/B3
Edge beam

UX5 UX5
plastic hook

UX6 UX6
plastic hook

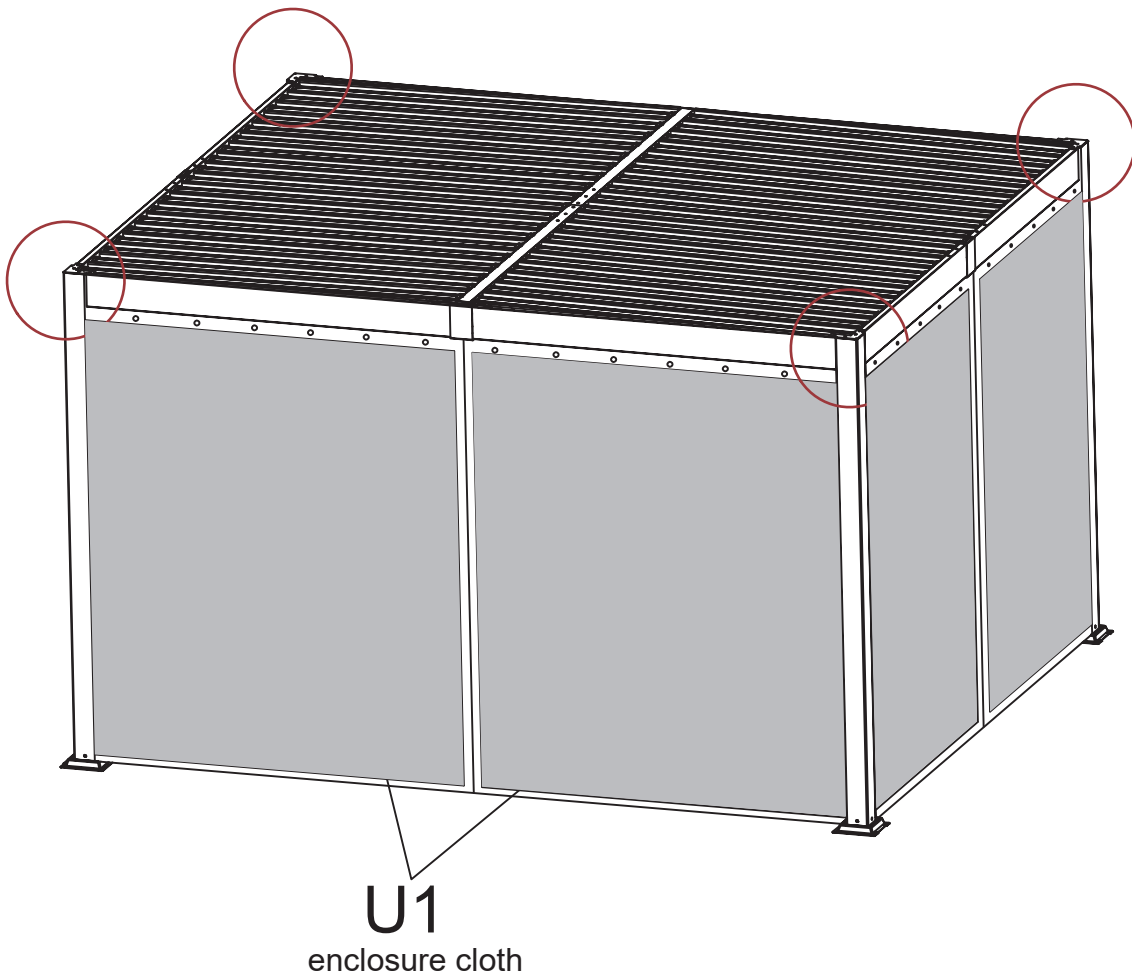
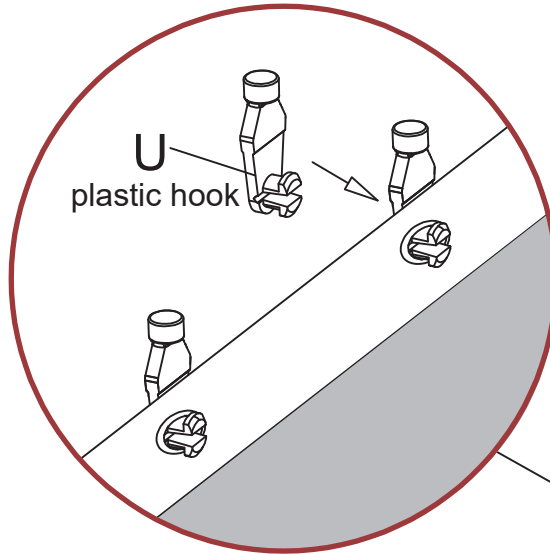
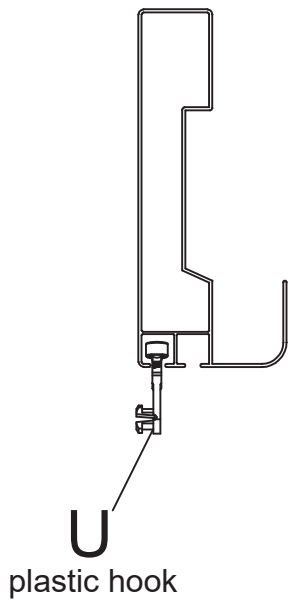


STEP 2

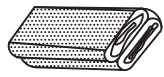


U1 ④
enclosure cloth

1. Buckle U1 onto U in order

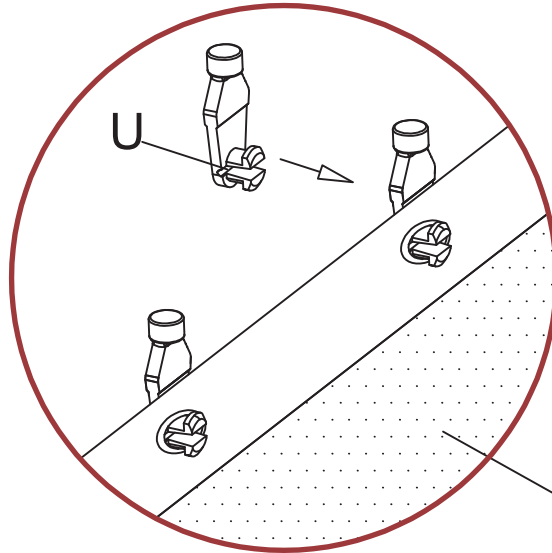
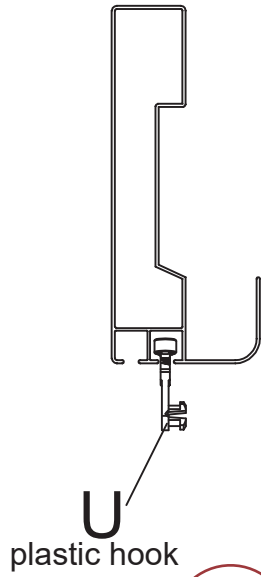


STEP 3



U2 ④
mesh

1. Buckle U2 onto U in order



U2
mesh

