

ASSEMBLY INSTRUCTIONS



TOOLS REQUIRED



Allen Wrench

(Included)



Phillips
Screwdriver

(Not Included)



2 - People
Recommended

ASSEMBLY RATING



EASY —————> DIFFICULT

The Assembly Rating is a 5-point system showing the level of effort needed to assemble a specific product.



CHECK BEFORE STARTING

Are you missing anything?

Double-check all parts, hardware and accessories listed are all accounted for.

Check out our Quick Tips!

We recommend reviewing the pre-assembly handouts. Even experts need a refresher now and then!

Should we send any replacements?

Are there any irregularities or flaws in the parts? We can send replacements!

Prep Time!

Please review the assembly instructions and all diagrams prior to assembling.

PRE ASSEMBLY INTRODUCTION

We understand building ready-to-assemble furniture can be a challenging experience for some. To help avoid confusion, we have provided some helpful tips that may speed up the process.



Teamwork

ALWAYS have at least two people to help with transporting and assembling the product to avoid potential injury and/or damage.



Suitable Location

Assembling near the area of the intended location is highly recommended.



Sufficient Space

Make sure you have enough space to move around during the assembly.



Avoid Scratches

Use cardboard, blankets or a carpeted area while assembling furniture to prevent to prevent scratches and damages.



Flat Surface

Make sure the furniture rests on a flat and level surface with each leg evenly touching the floor.

ASSEMBLY AND CARE ADVICE



FAILURE TO FOLLOW THE GUIDELINES BELOW MAY RESULT IN INJURY AND/OR PROPERTY DAMAGE.



Position each part correctly and insert screws or bolts into their respective holes.



Turn clockwise to tighten and only tighten when step is completed or when instructed to do so.



Use the appropriate hand tools or power tools for assembly. Select steps, such as tightening screws and/or bolts, may require hand tools to avoid causing damage during assembly.



Save the instructions and store any supplied tools for later maintenance.



After two weeks, check and tighten any loose hardware and repeat again every six months thereafter.

IT IS THE USER'S RESPONSIBILITY TO MAINTAIN THE FURNITURE. THE HARDWARE MAY LOOSEN OVER TIME AND MAY CAUSE THE FURNITURE TO BE WOBBLY AND UNABLE TO SUPPORT ITS INTENDED WEIGHT CAPACITY. THIS MAY LEAD TO COLLAPSE AND MAY CAUSE SERIOUS INJURY.

VANITY SET

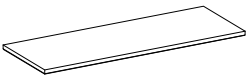


- Please keep instructions for future reference.
- Check the quantity and irregularity of parts and hardware before you start.



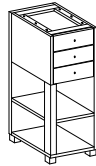
PARTS

#1 1pc



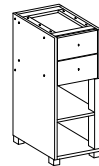
Top Panel

#2 1pc



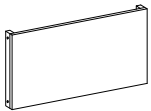
Left bottom cabinet

#3 1pc



Right bottom cabinet

#4 1pc



Back Panel

#5 1pc



Right box

HARDWARE

#A 4pcs



Bolt Ø1/4" x 1-3/16"

#B 12pcs



Bolt Ø1/4" x 1-3/8"

#C 12pcs



Lock washer Ø1/4"

#D 12pcs



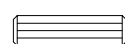
Flat Washer
Ø5/16" x 19mm

#E 1pc



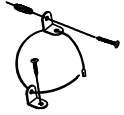
Allen Wrench 4mm

#F 8pcs



Wood Dowel Ø8 x 20mm

#G 1set



Anti-tip Skit

#H 1pc

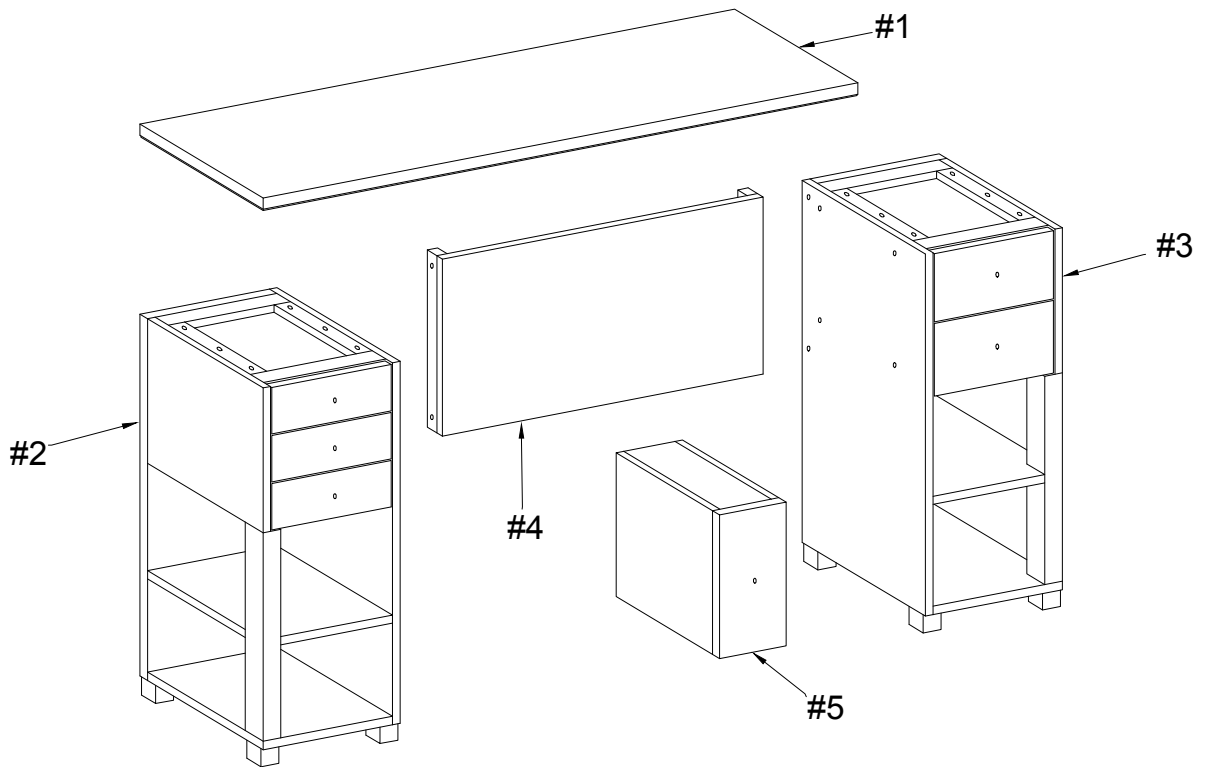


Block Drawers


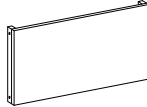
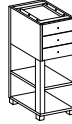









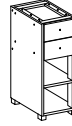
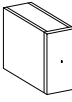
#I 1pc



Screw 3 x 12mm



2 cases

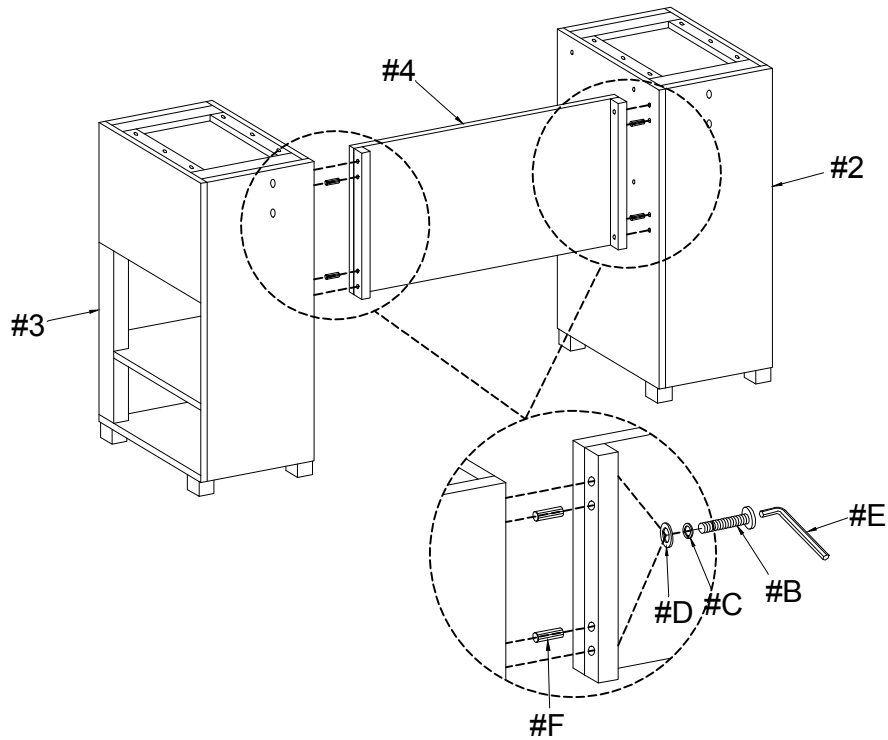
Carton	Disignation	Part		Hardware
1	Top Panel	#1		
	Back Panel	#4		
2	Left bottom cabinet	#2		 #A x 4pcs  #B x 12pcs  #C x 12pcs  #D x 12pcs  #E x 1pc  #F x 4pcs  #G x 1set  #H x 1pc  #I x 1pc
	Right bottom cabinet	#3		
	Right box	#5		

ASSEMBLY INSTRUCTIONS

Insert Dowels (#F) into Back Panel (#4). Align the Back Panel (#4) to the Left/Right Bottom Cabinets (#2,3) and secure in place by using Bolts (#B) with Washers (#C,D).

1

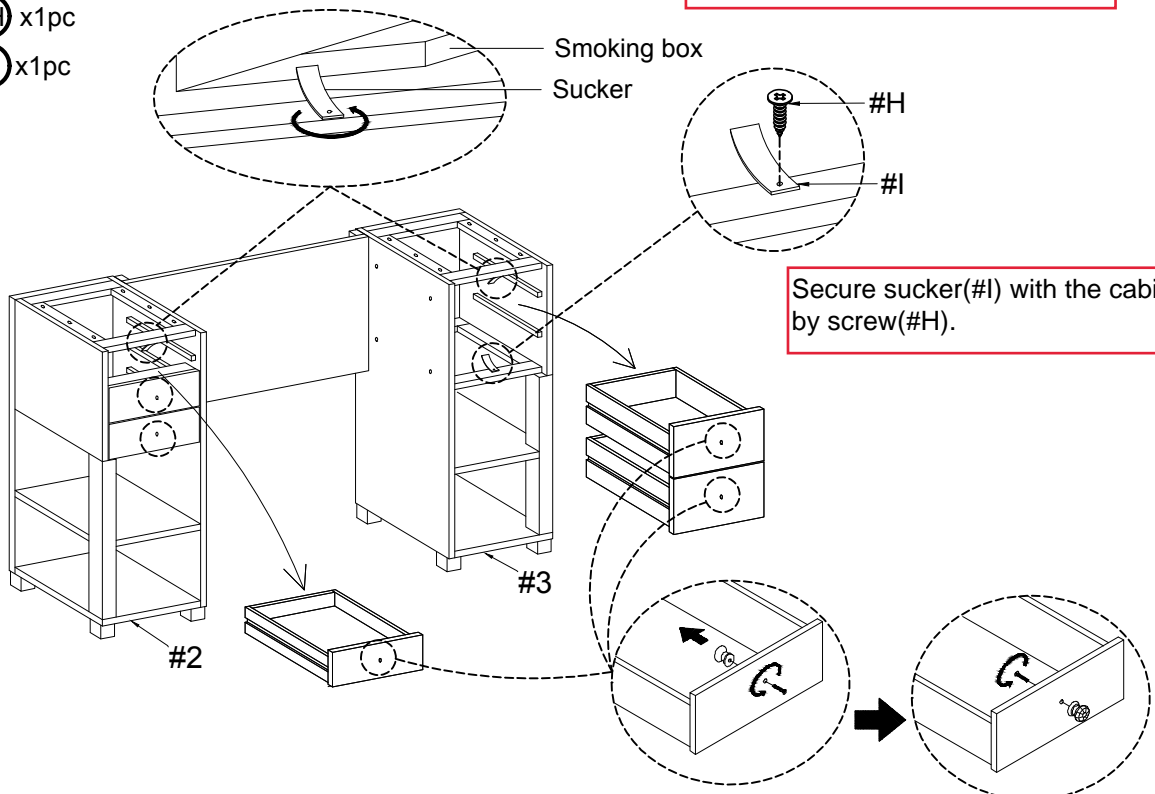
- Part #2 x1pc
- Part #3 x1pc
- Part #4 x1pc
- Hardware #B x4pcs
- Hardware #C x4pcs
- Hardware #D x4pcs
- Hardware #F x4pcs



2

- Hardware #H x1pc
- Hardware #I x1pc

Remove the drawers from the side cabinets. Remove the knobs from within each drawer and attach it to the front.



Secure sucker(#I) with the cabinet by screw(#H).

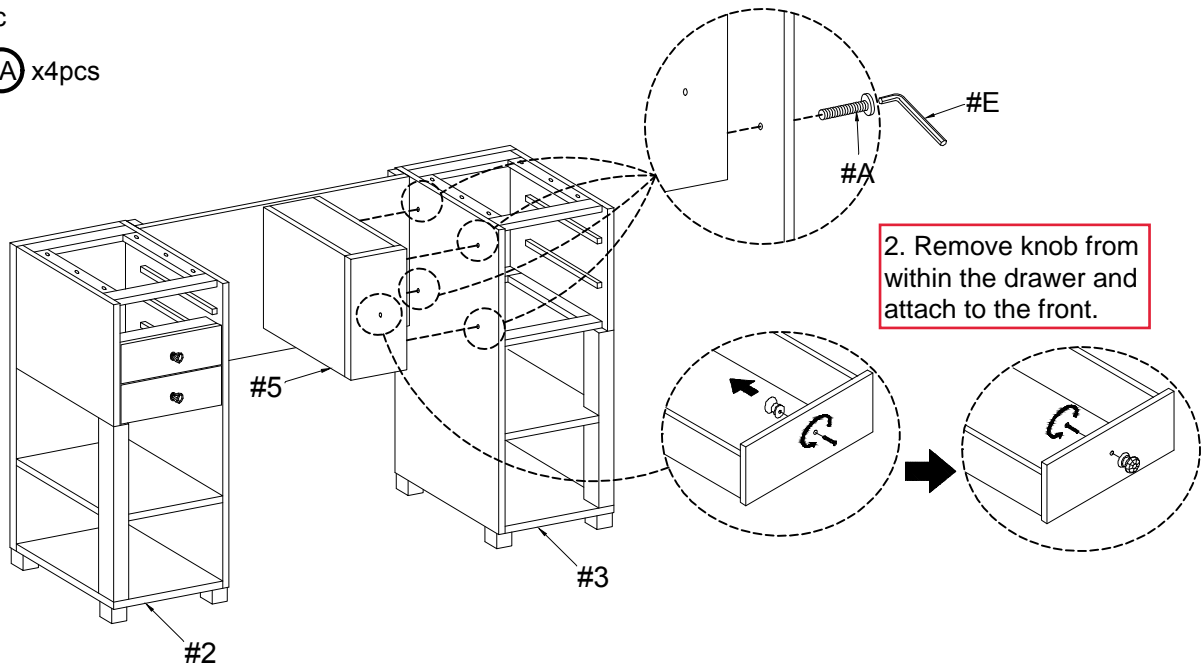
ASSEMBLY INSTRUCTIONS

3

Part #5 x1pc

Hardware #A x4pcs

1. Attach the Right Box (#5) to the Right Bottom Cabinet (#3) by using Bolts (#A).



2. Remove knob from within the drawer and attach to the front.

4

Part #1 x1pc

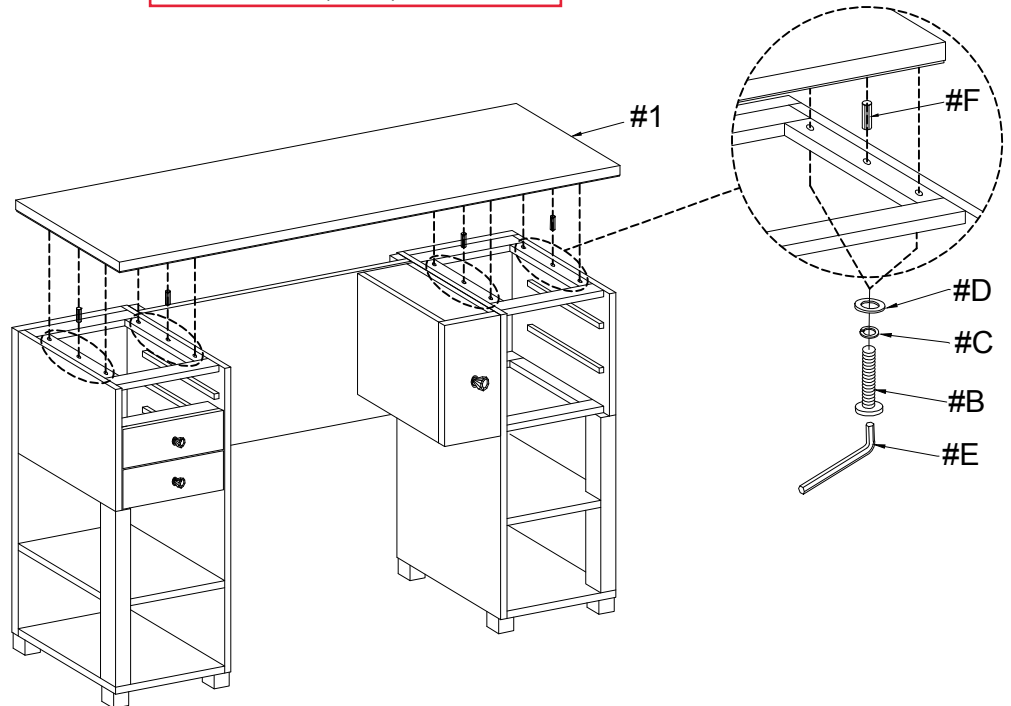
Hardware #B x8pcs

Hardware #C x8pcs

Hardware #D x8pcs

Hardware #F x4pcs

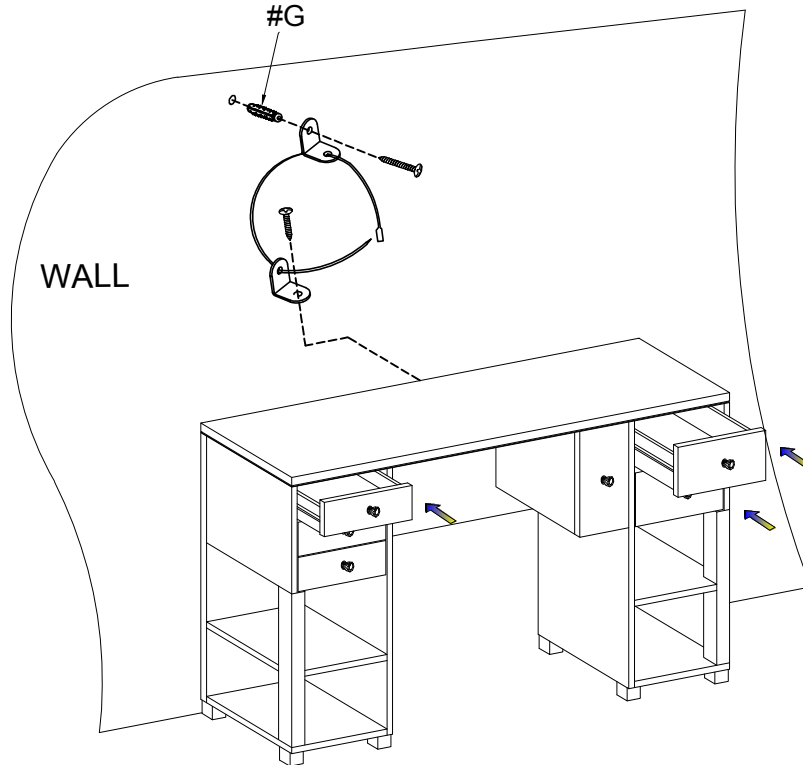
Align the Top panel (#1) to the desk using dowels (#F). Then secure into place using Bolts (#B) with Washers (#C,D).



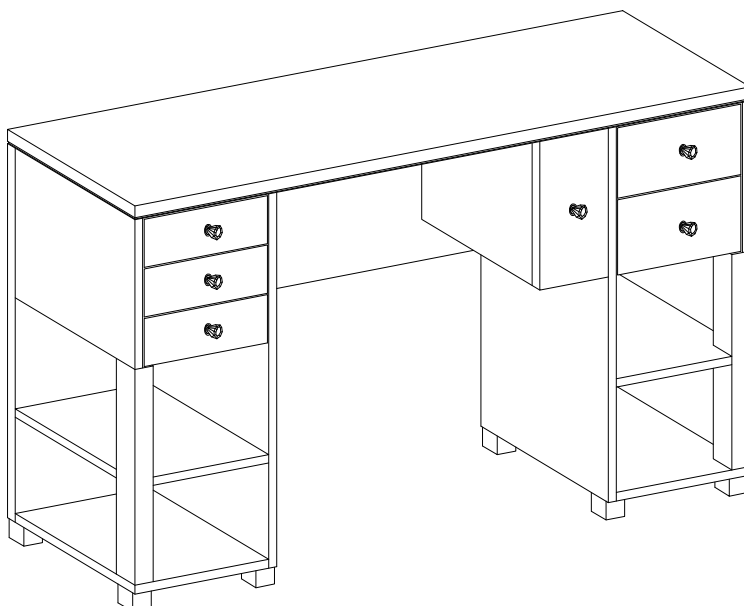
ASSEMBLY INSTRUCTIONS

5

Hardware  x1set



6



ASSEMBLY COMPLETED



Please ensure the furniture rests on an even and flat surface. If the product wobbles or feels loose, double-check all bolts and/or screws are properly tightened and secured.



Keep this handy!

Please retain this instruction manual and any order-related information for future reference.



Lift, don't drag!

To avoid damage to product please always LIFT the product when transporting or adjusting the placement.

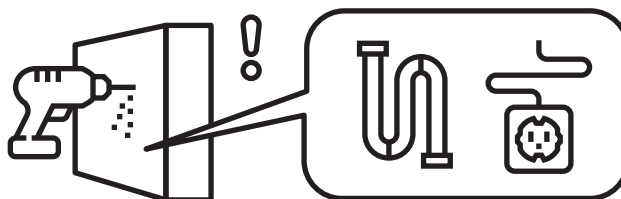
ASSEMBLY INSTRUCTIONS

Wall Mounting and Fixing



EXPANSION WALL ANCHOR

Our provided expansion wall anchors are only suitable for masonry walls, such as drywall, plaster or concrete, and are best for holding lightweight items or for anti-tip prevention. If you are unsure of the correct wall anchor to use with the product, please request professional guidance. Liability for product damage or failure due to using the incorrect anchors will fall on the installer.

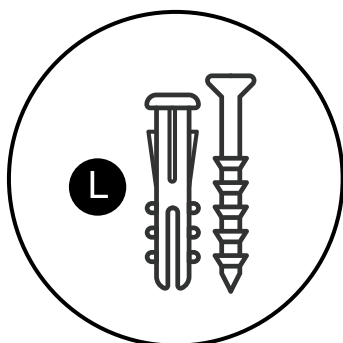


CHECK BEFORE PROCEEDING

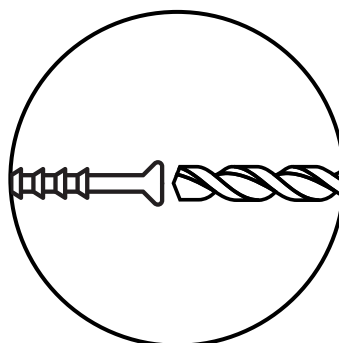
Prior to drilling or hammering, please check for wires or pipes. We recommend using a stud finder to locate a stud, which will offer more appropriate resistance and hold more weight.

QUICK TIPS

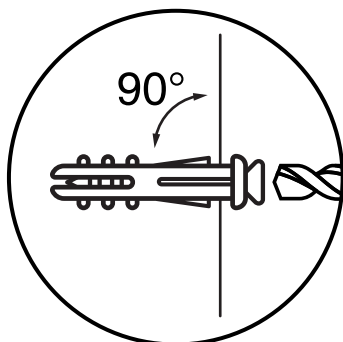
1. If unsure of the proper size, always choose a larger screw and wall anchor.



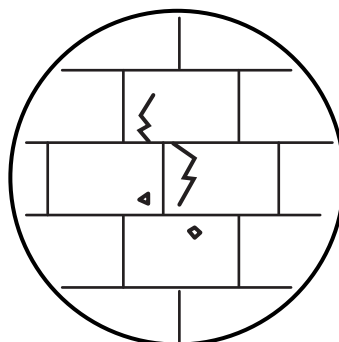
2. Match the drill bit to the wall anchor and hole size.



3. Only drill horizontally. Do not force the drill or enlarge the hole for the wall anchor.



4. Take extra care when drilling into high walls or ceramic tiles. Wall anchors should be a tight fit for the hole. Never use wall anchors in ceilings.



MAINTENANCE



We recommend a yearly check to see if the wall anchor or screw has loosened. If so, please remove the existing wall anchor and screw, and use a new anchor.