

尺寸: 297x105mm

148.5mm

148.5mm



SUBRTEX HOUSEWARE INC.  
9935 BEVERLY BLVD UNIT 3 PICO RIVERA CA 90660  
CUSTOMERSERVICE@SUBRTEX.COM  
www.subrtex.com

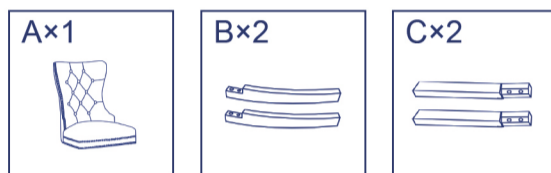
SUBRTEX®

Bring the best life to your home

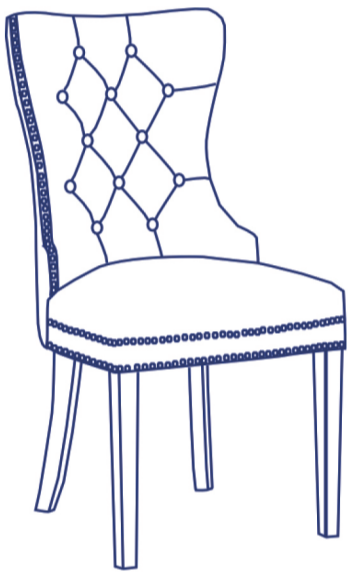
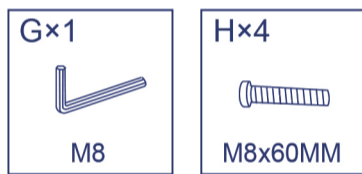
105mm

### DINING CHAIRS

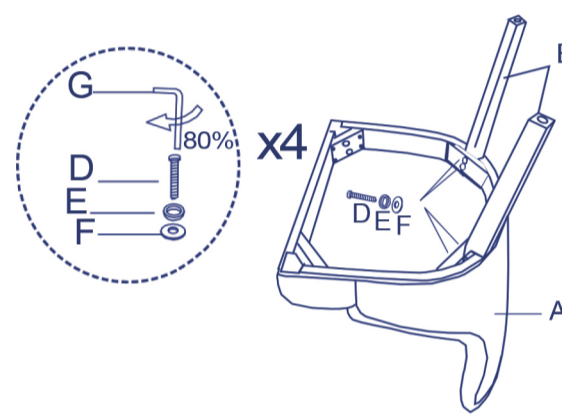
#### PARTS LIST



#### LOREM IPSUM



1



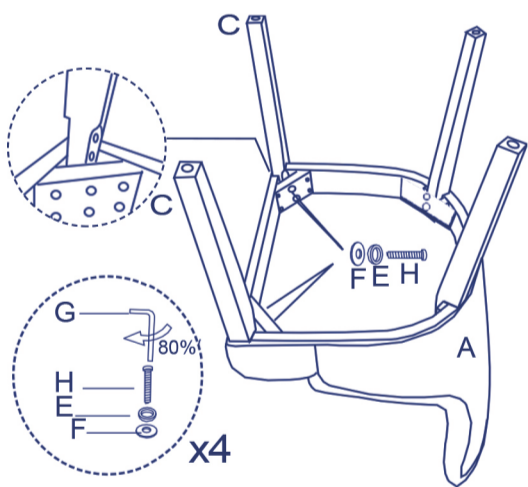
Place chair back on (A) a clean flat surface.

Place seat pad against back of chair as shown in diagram

Use parts (D,E,F&G) in center hole secure seat pad to back.

Do Not Fully Tighten The Bolts.

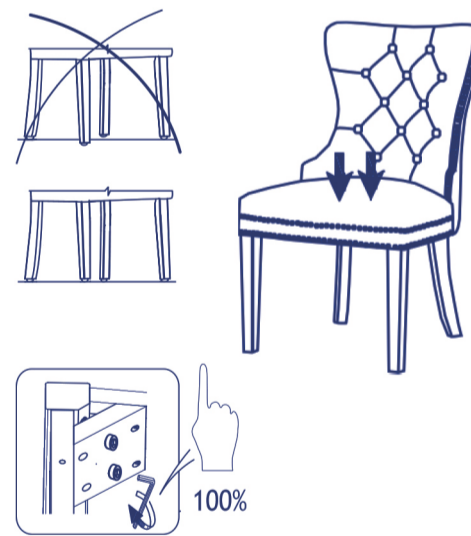
2



Align front legs in the seat pad as shown in the diagram and use parts (E, F, G) to secure.

Do Not Fully Tighten The Bolts.

3

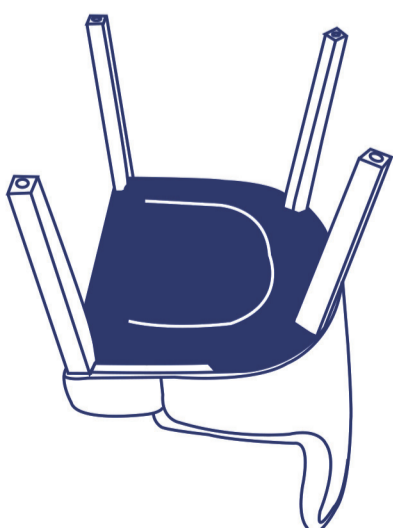


Put chair in the upright position and press downwards on the seat pad ensuring that all 4 feet touch the ground and chair is level.

Proceed to tighten all bolts making sure the chair remains level when tightening.

Check that all bolts are tight on a regular basis to ensure chair remains level and secure.

5



Zip the cover after fully assembled.

6



Your Dining Chair is ready for use.

This Dining Chair can only be used on a flat, level surface.