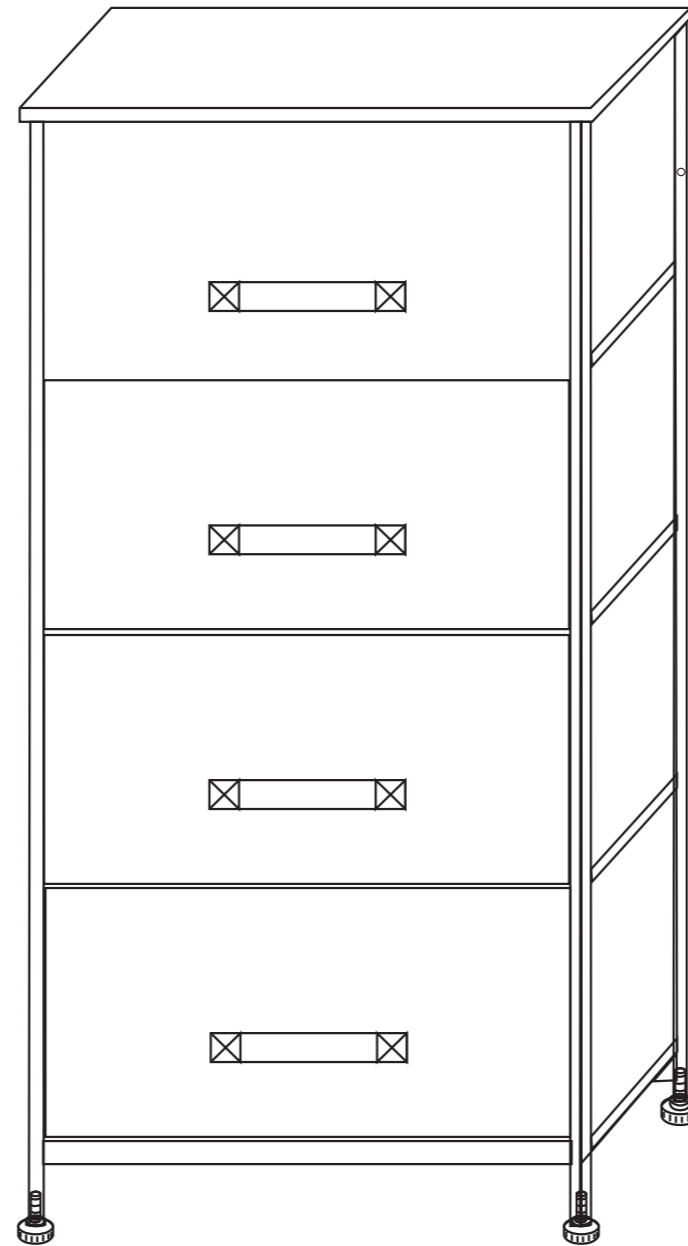


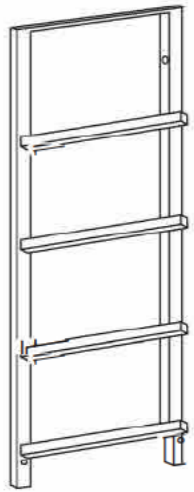
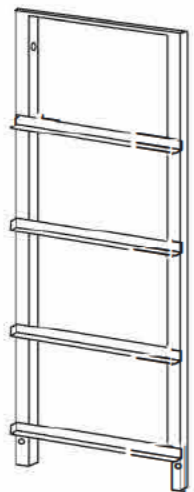

ASSEMBLY INSTRUCTIONS



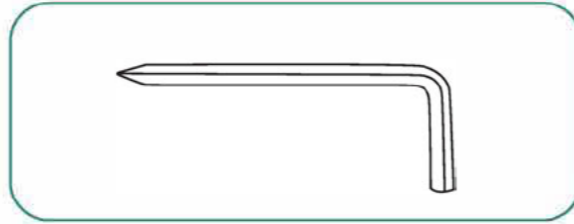
4-DRAWER STORAGE CHEST


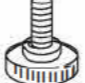



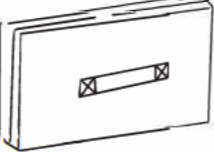
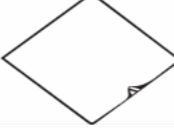

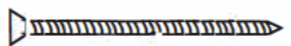
ASSEMBLY INSTRUCTIONS

⚠ Attention: Do not tighten the screws until you have complete setup assembly.

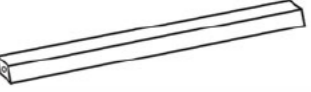
Item no.	Reference Image	Qty.
1		X 1
2		X 1
3		X 1

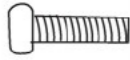
Tools Required For Assembly

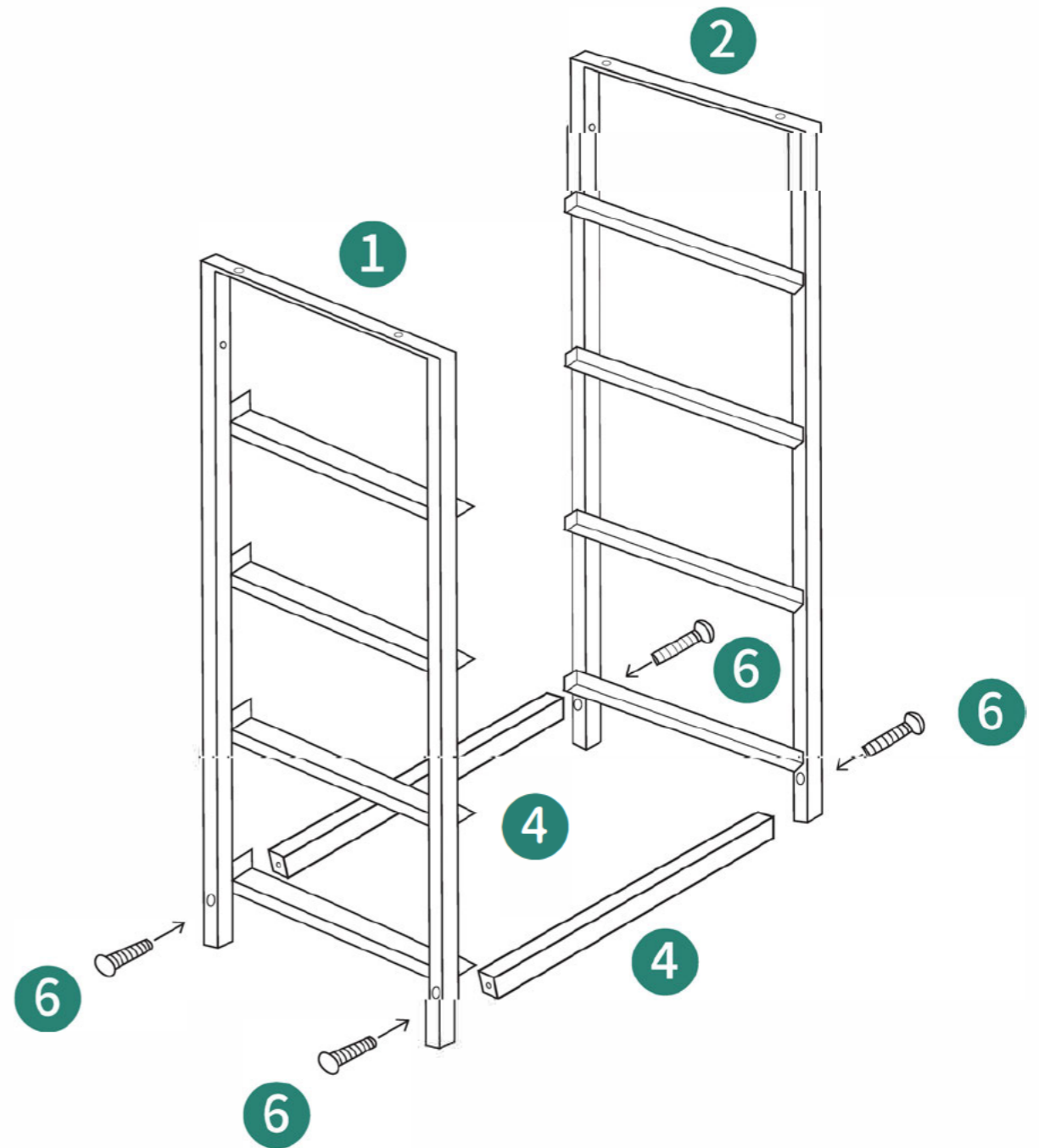


Item no.	Reference Image	Qty.
4		X 2
5		X 4
6		X 4
7		X 4
8		X 1
9		X 4
10		X 4
11		X 2
12		X 2

1

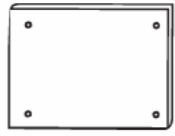

④ 2 pcs


⑥ 4 pcs

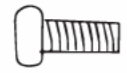


ASSEMBLY INSTRUCTIONS

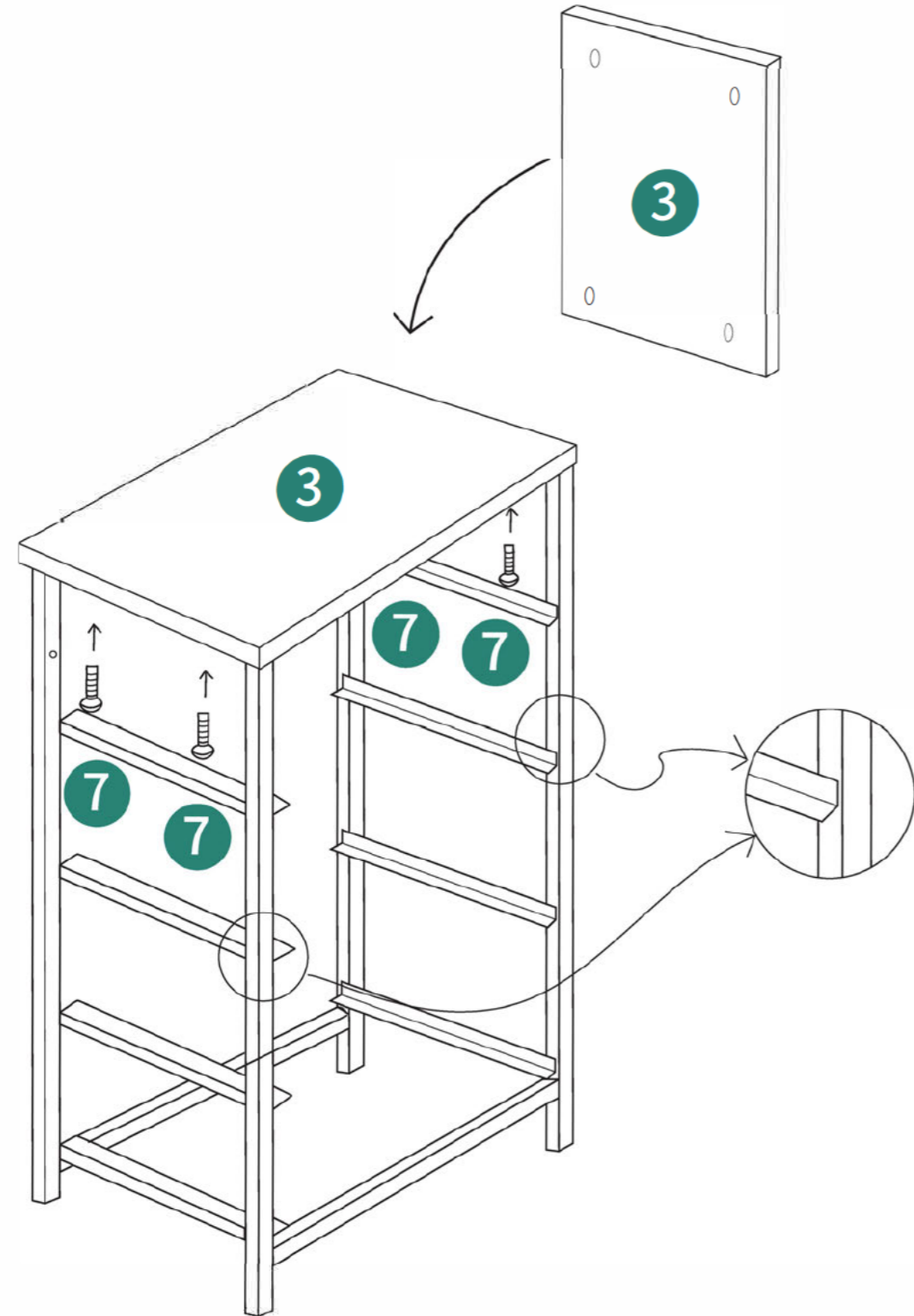
2



③ 1 pc

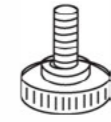


⑦ 4 pcs

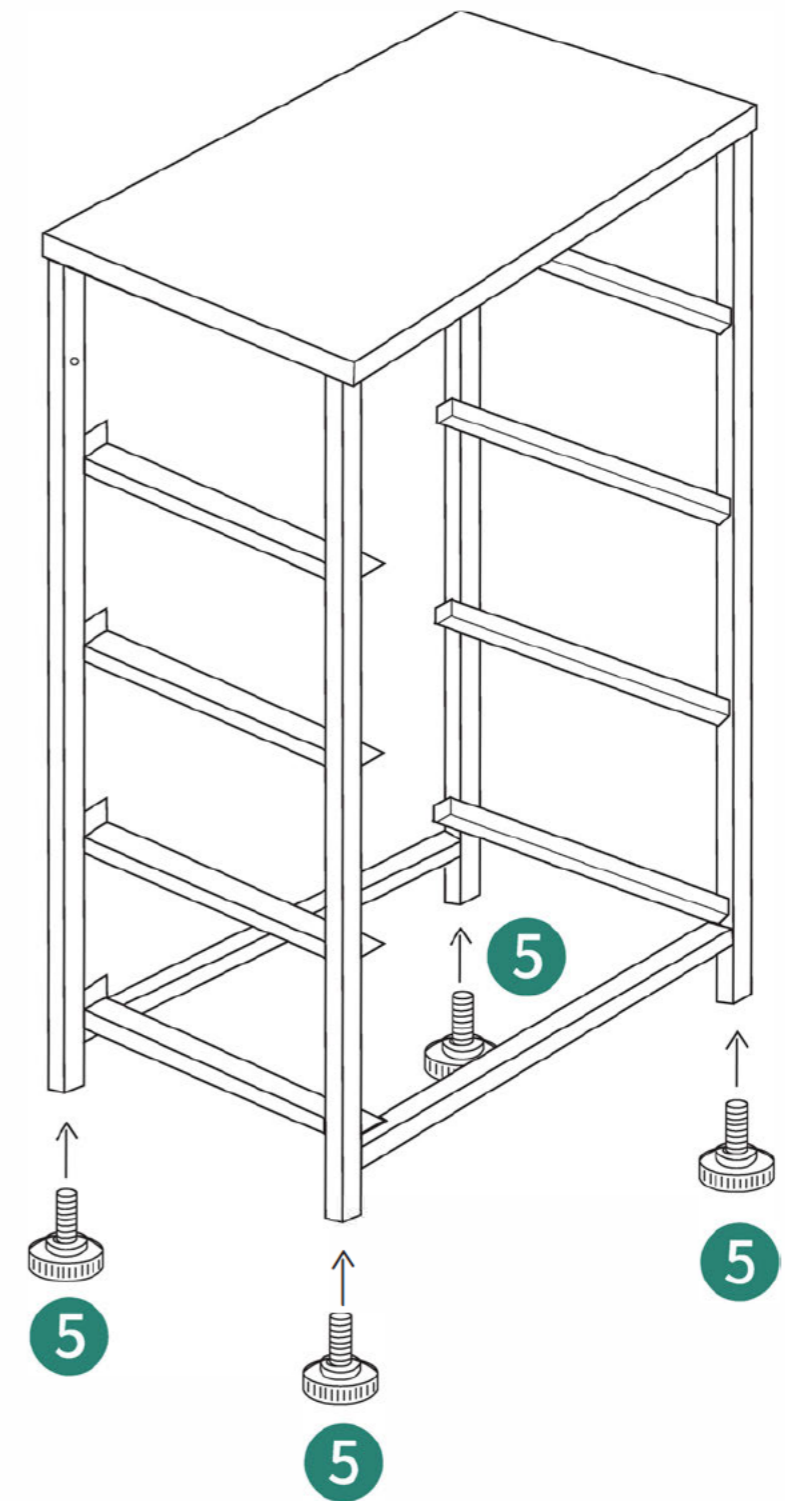


3

3



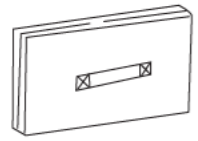
⑤ 4 pcs



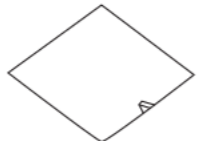
4

ASSEMBLY INSTRUCTIONS

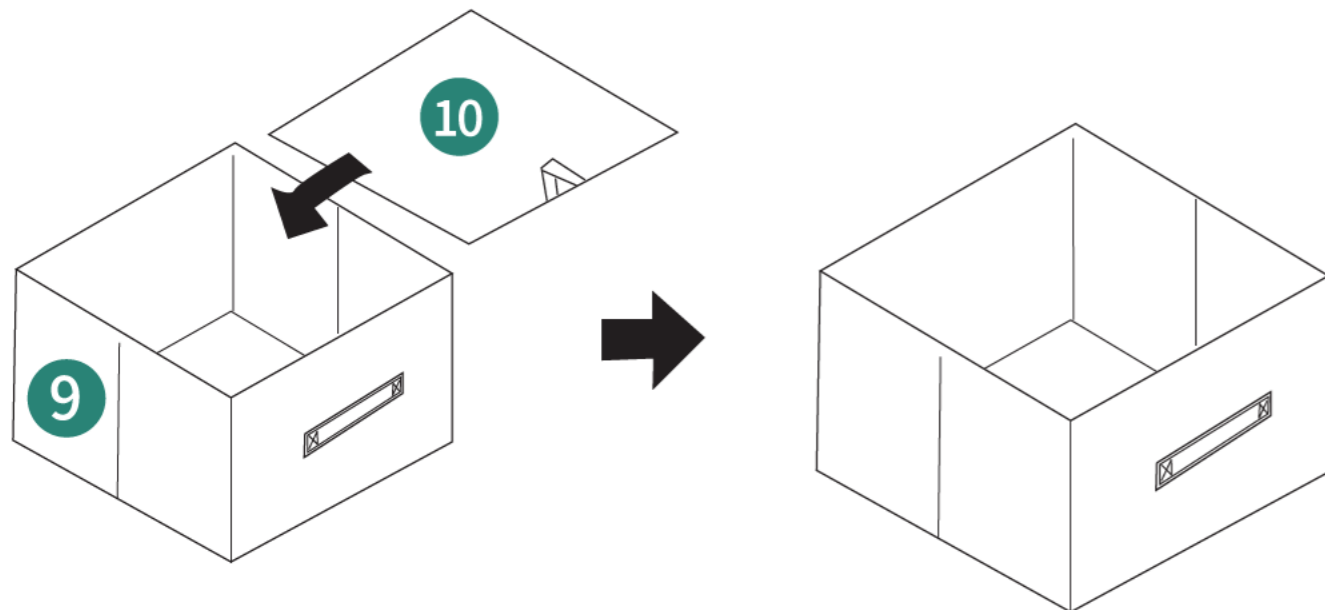
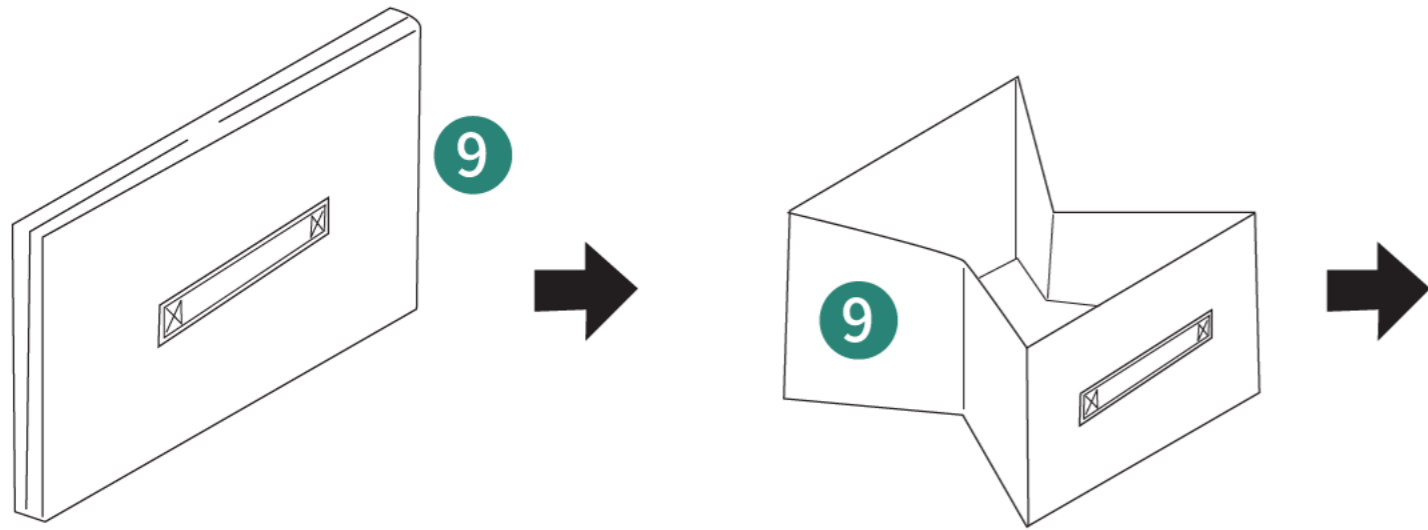
4



⑨ 4 pcs



⑩ 4 pcs



5



5

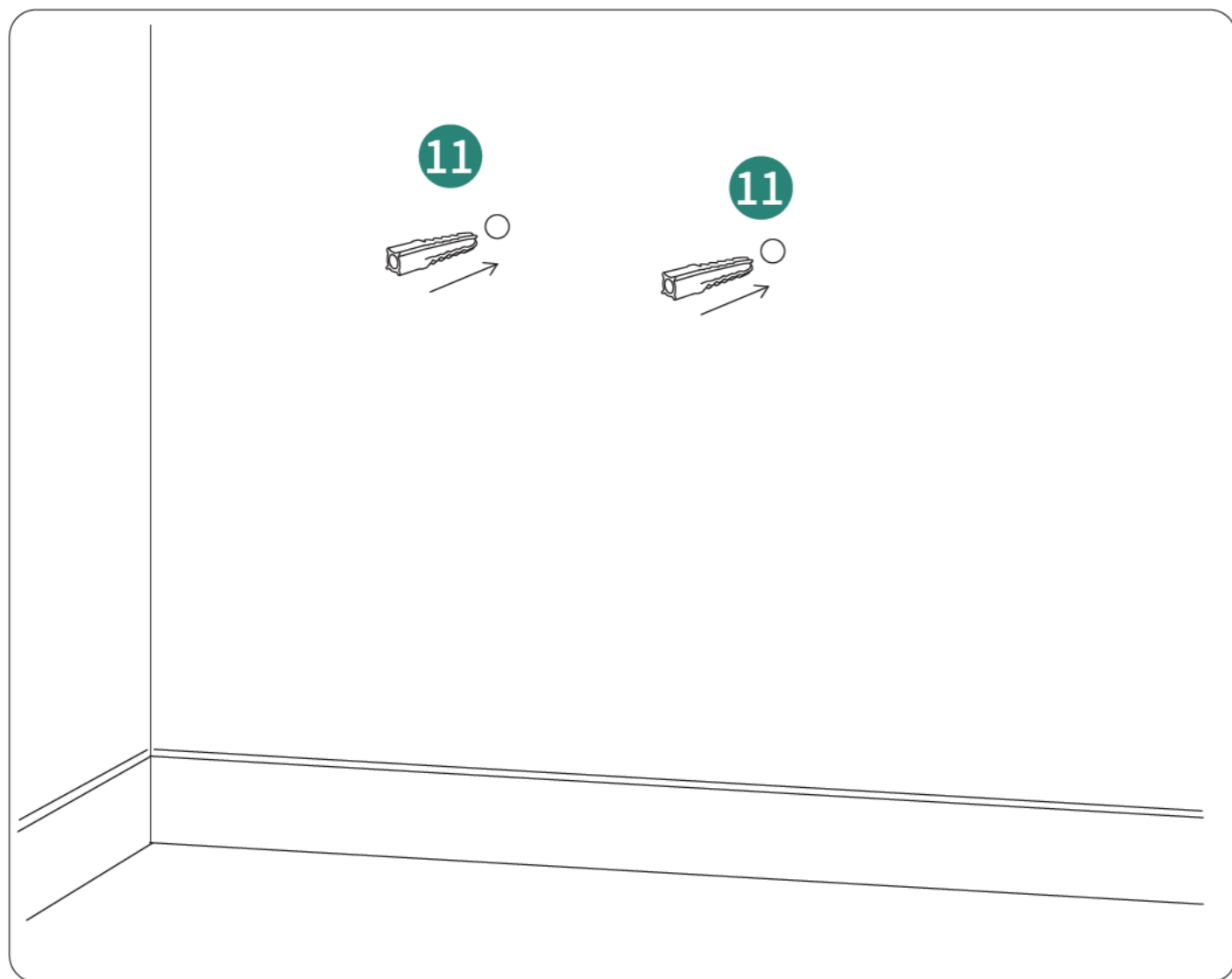
6

ASSEMBLY INSTRUCTIONS

6



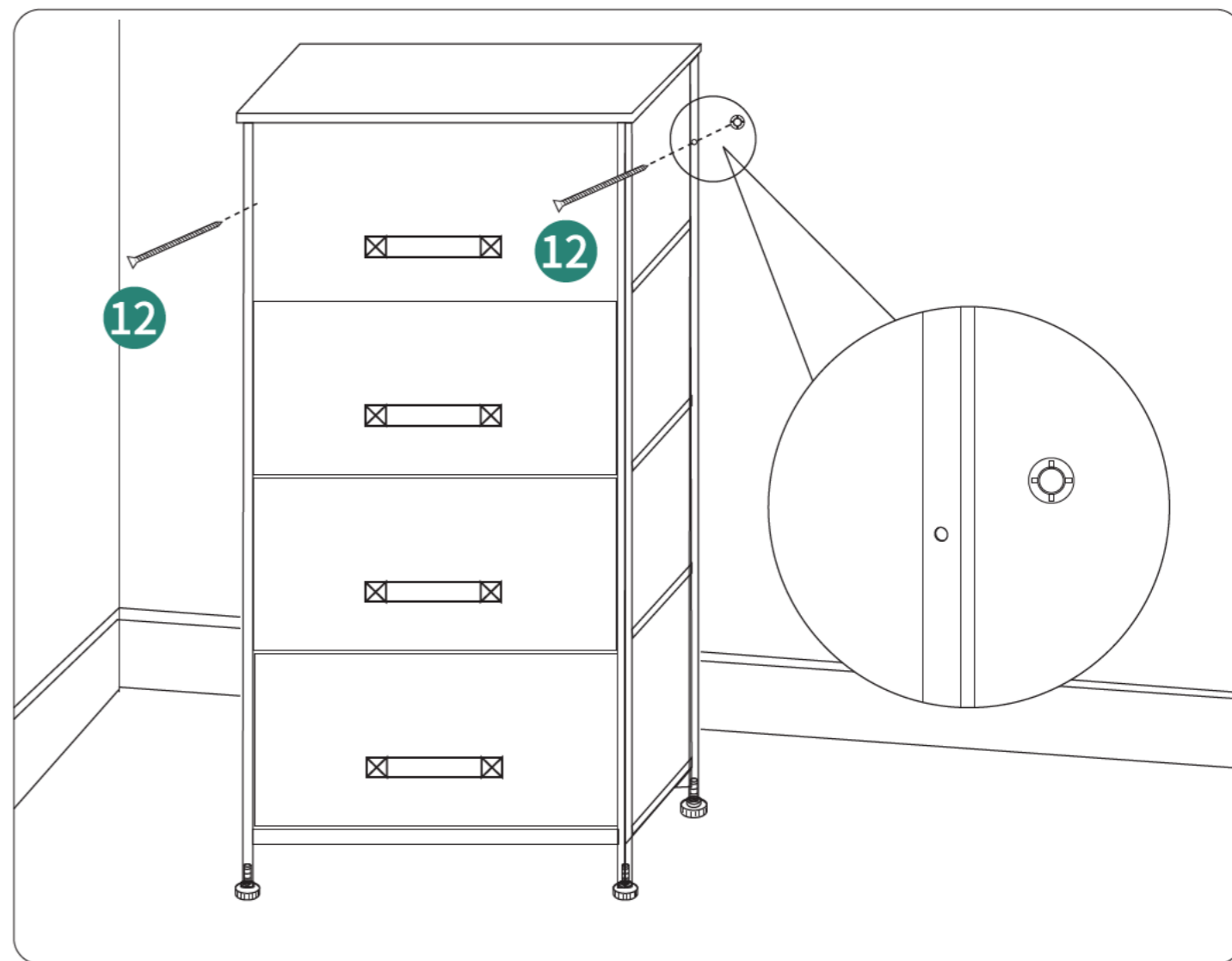
⑪ 2 pcs



7

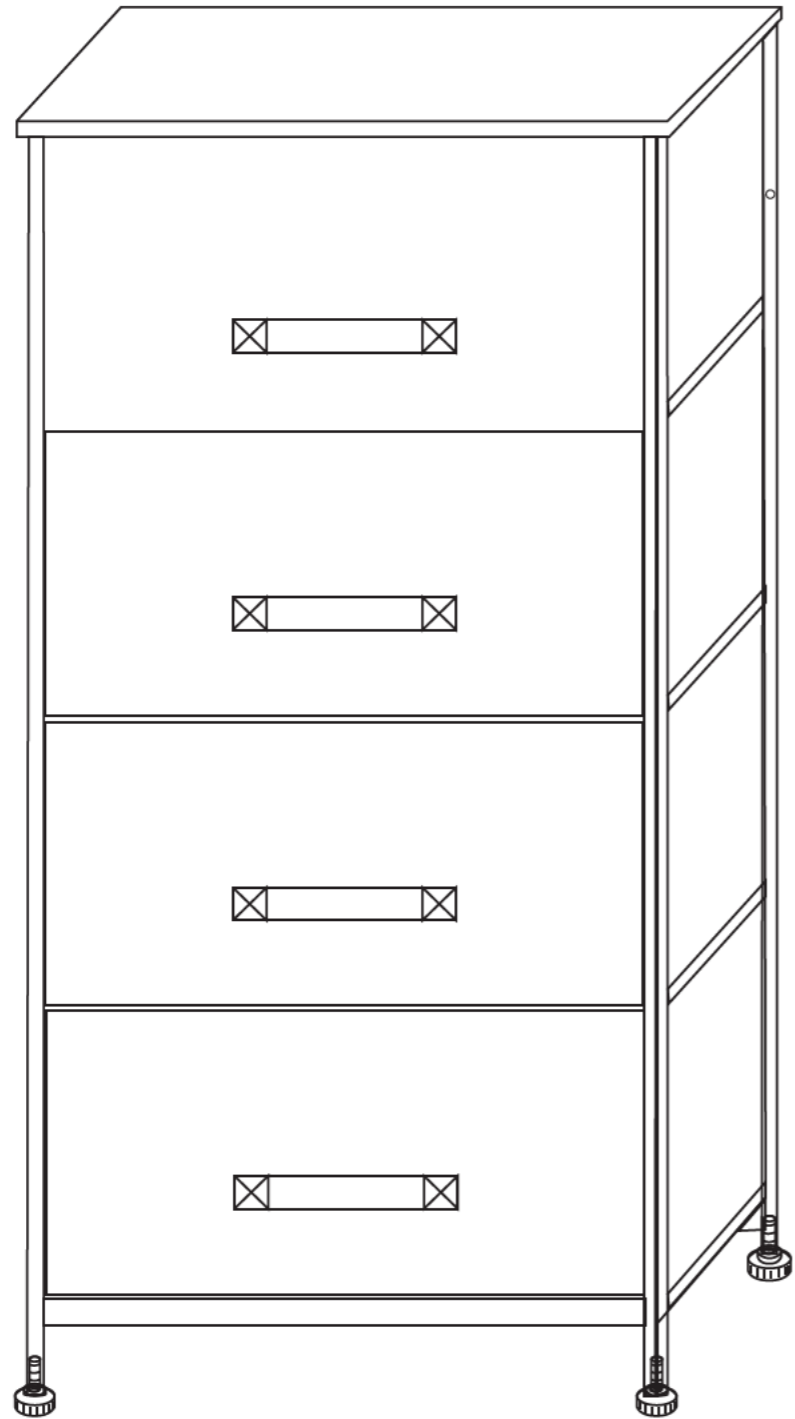


⑫ 2 pcs



ASSEMBLY INSTRUCTIONS

8



Complete Installation



Attention: Please be aware that the drawer storage towers are lightweight, and pulling them down could be dangerous, especially when children are playing and chasing each other around the drawers.