

# Wash Table w Umbrella Hole

## Assembly Instruction & Care:

Please assemble on soft surface after removing contents as not to scratch or damage stone surface.  
Enjoy!





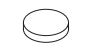
Item	Description	Q'ty
A	 Bolt 8x80	02
B	 Bolt 8x50	08
C	 Washer 8x19x2	06
D	 Allen Key	02
E	 Umbrella Plug	01

Table Top

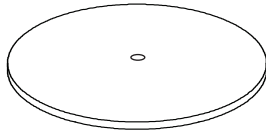


Table Base #1

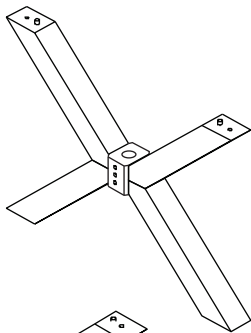


Table Base #2

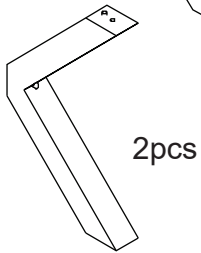
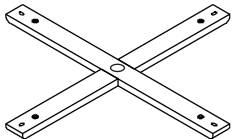
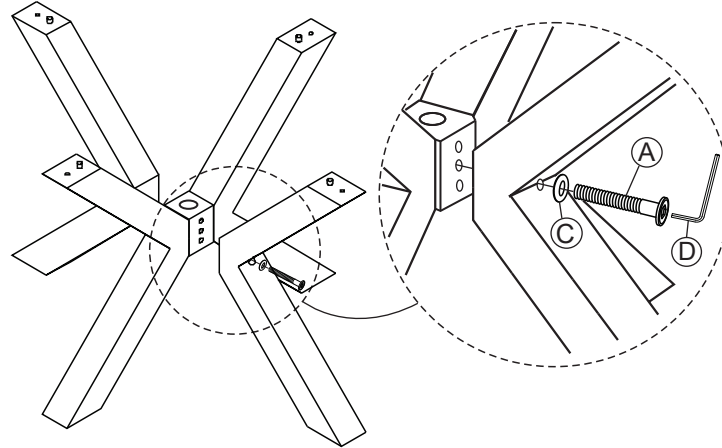


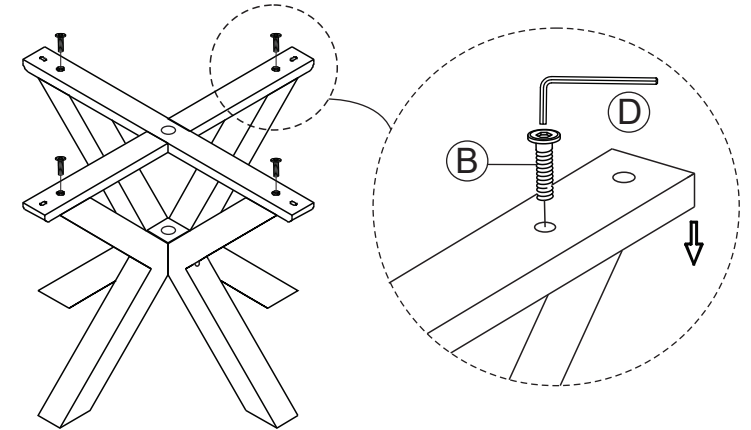
Table Top Frame



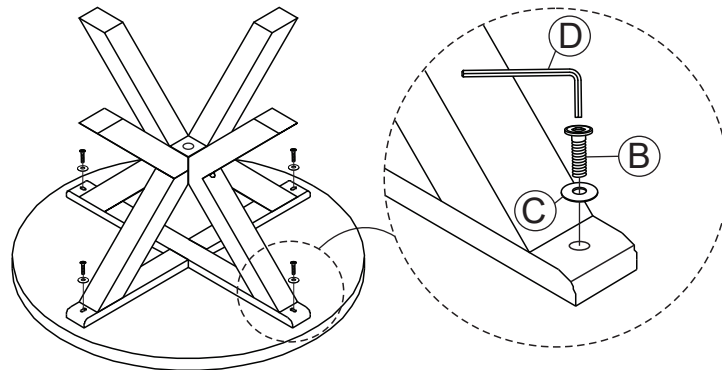
- STEP 1**
- Assemble two base #2 with base #1
  - Attach (2) "A" Bolt and (2) "C" Washer



- STEP 2**
- Assemble two table base leg with crossbar.
  - Attach (4) "B" Bolt .



- STEP 3**
- Place table top on a soft surface as shown.
  - Fasten (4) "A" Bolts and (4) "B" washers to table top underside and frame.



- STEP 4**
- With 2 people carefully stand table upright.

