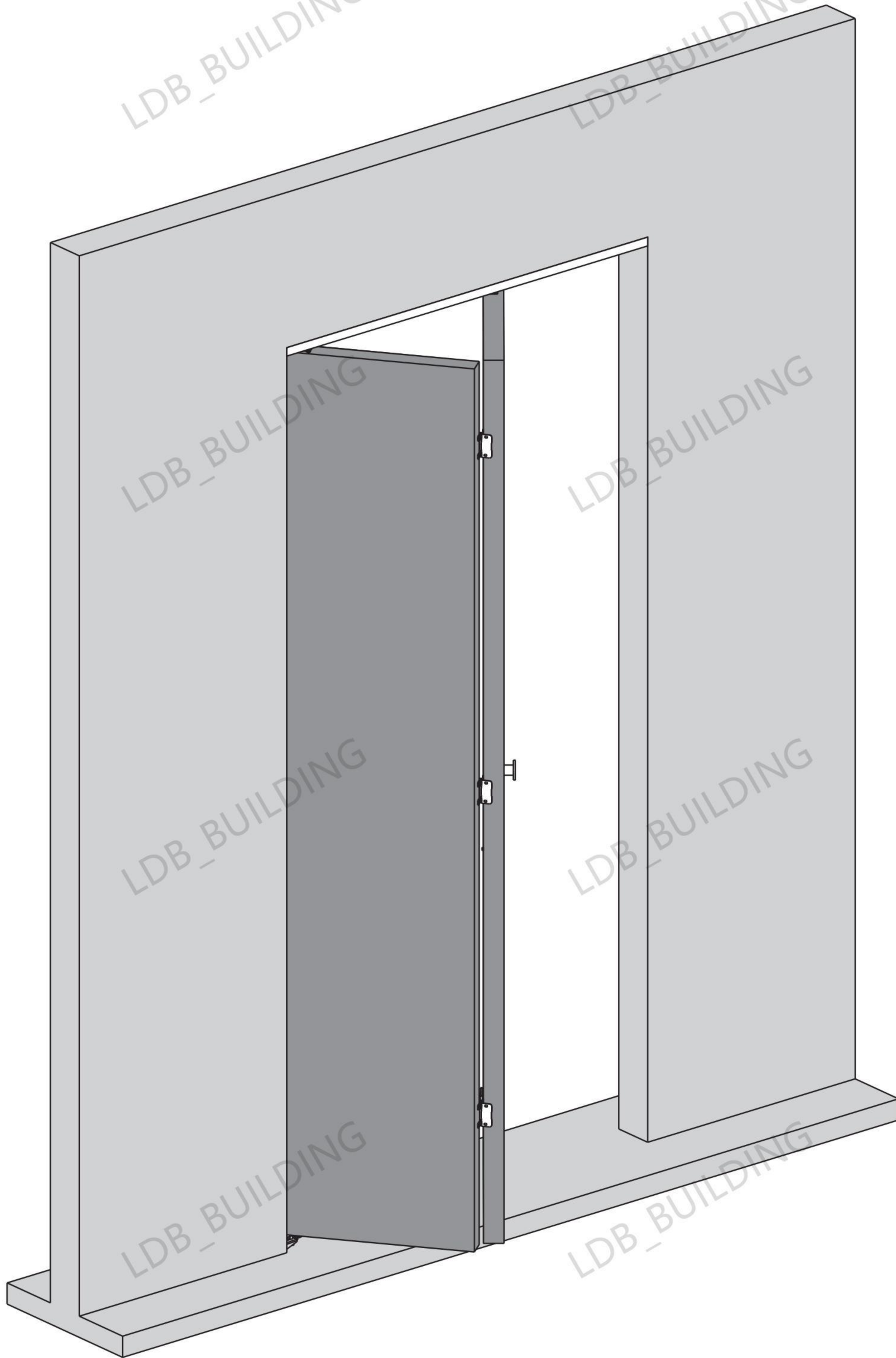


INSTALLATION MANUAL

LEFT-HAND SWING



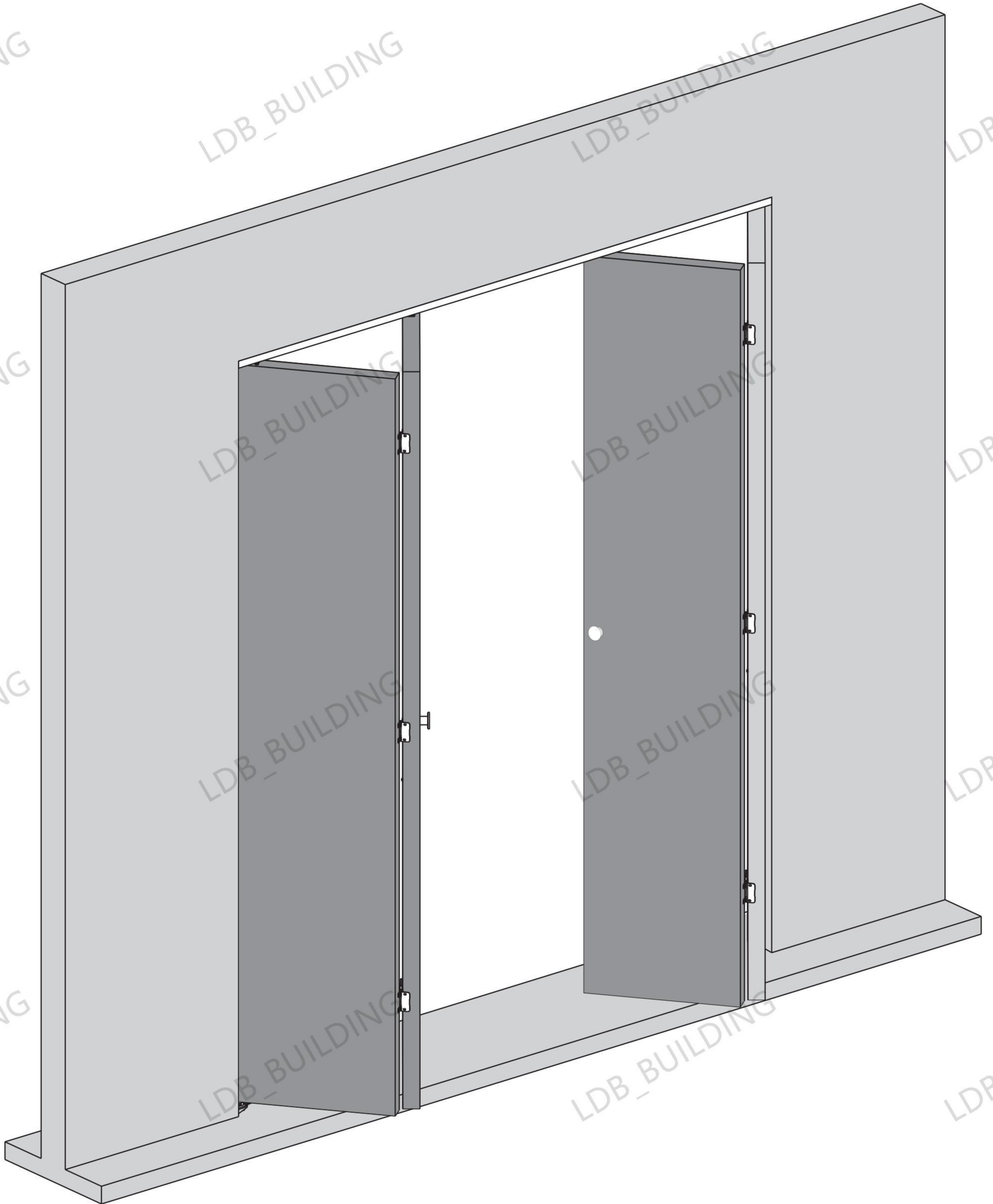
⚠ CAUTIONS:

*Please read this manual carefully before installation.

*The manual takes the LEFT-HAND as an example.

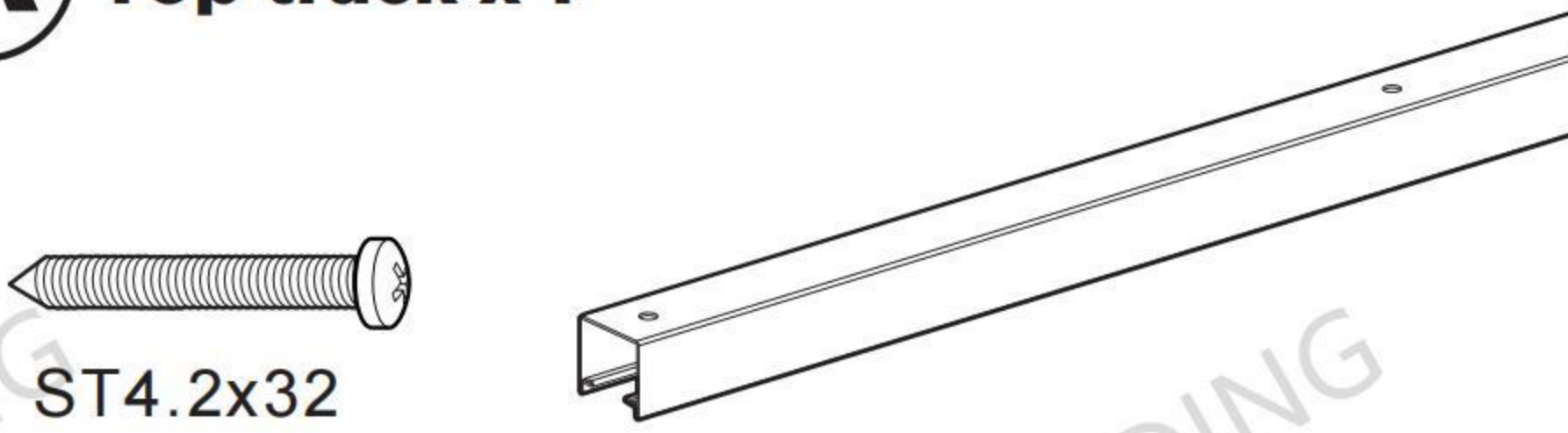
If you choose RIGHT-HAND, please install all parts in the opposite direction.

(Note: when installing the hinges, ensure the black plastic points towards the fixed door)



Hardware

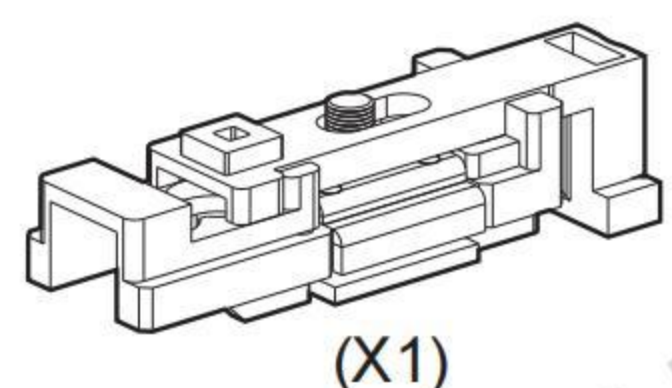
A Top track x 1



ST4.2x32

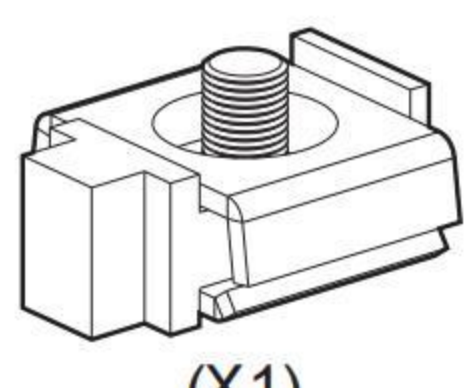
Track Length	Screw Quantity
23 ¹³ / ₁₆ "	(x4)
27 ²⁷ / ₃₂ "	(x4)
29 ²⁷ / ₃₂ "	(x4)
31 ²⁷ / ₃₂ "	(x5)
35 ⁵³ / ₆₄ "	(x5)

B Track pivot bracket



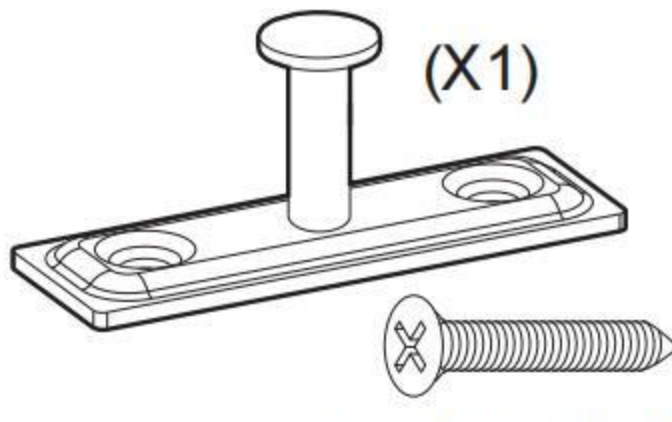
(X1)

C Door stopper



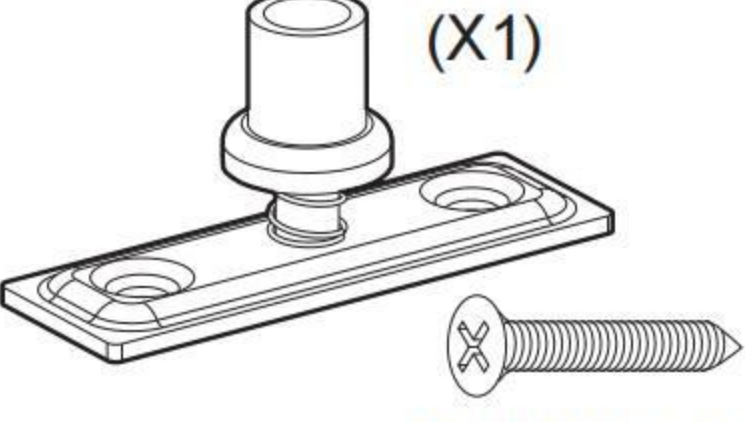
(X1)

D Fixed door top pivot



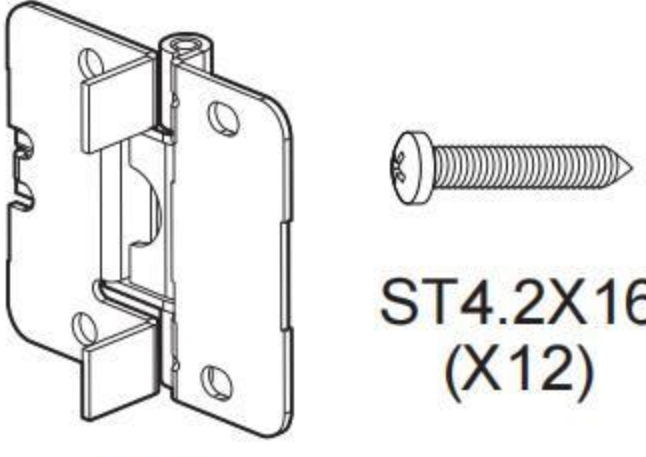
(X1)
ST4.2X25(X2)

E Active door guide pivot




(X1)
ST4.2X25(X2)

F Hinge



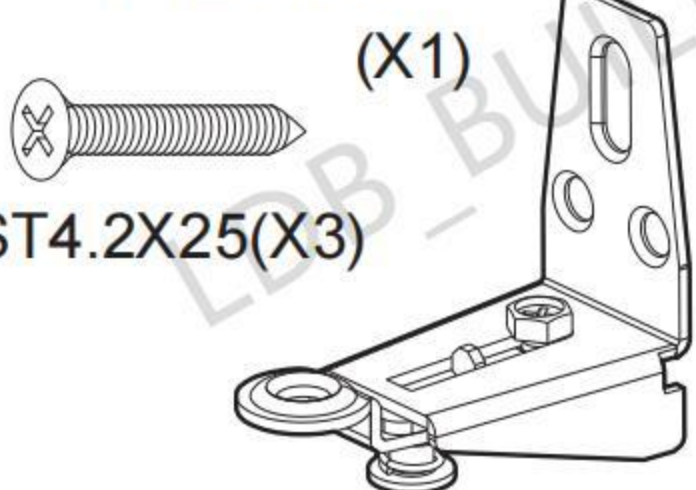
ST4.2X16 (X12)
(X3)

G Knob




(X1)
ST4.2x32(x1)

H Bottom fixed bracket



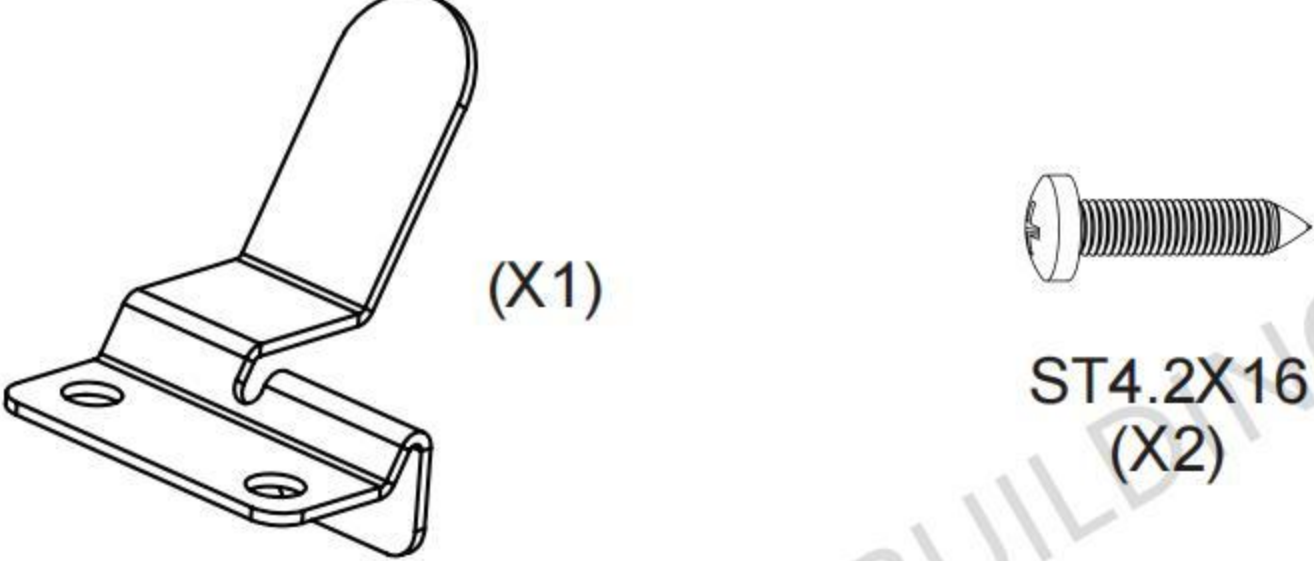
(X1)
ST4.2X25(X3)

I Bottom fixed door pivot



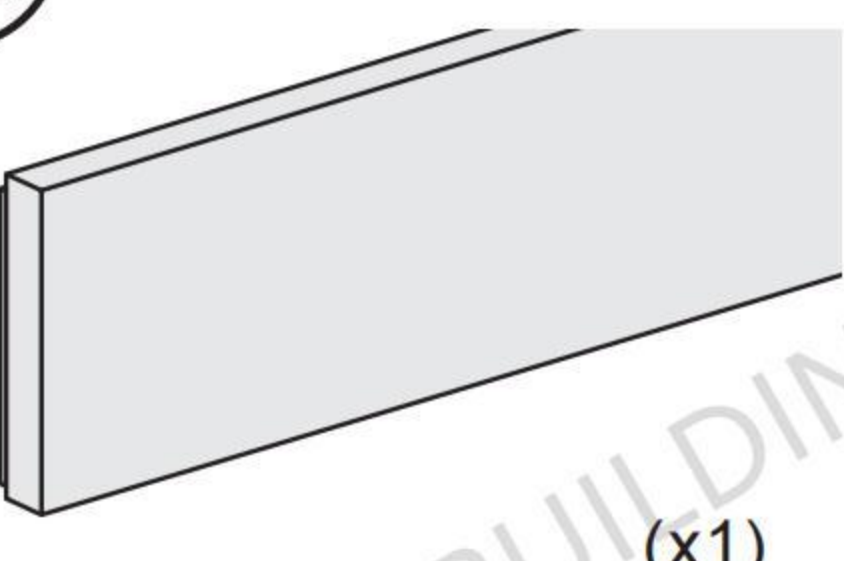
(X1)
ST4.2X25(X2)

J Panel aligner



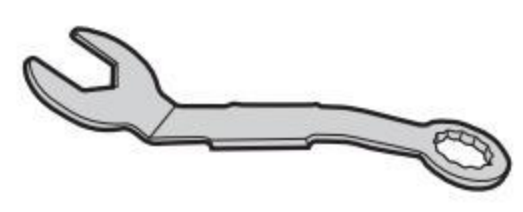
(X1)
ST4.2X16 (X2)

K Fascia



(x1)

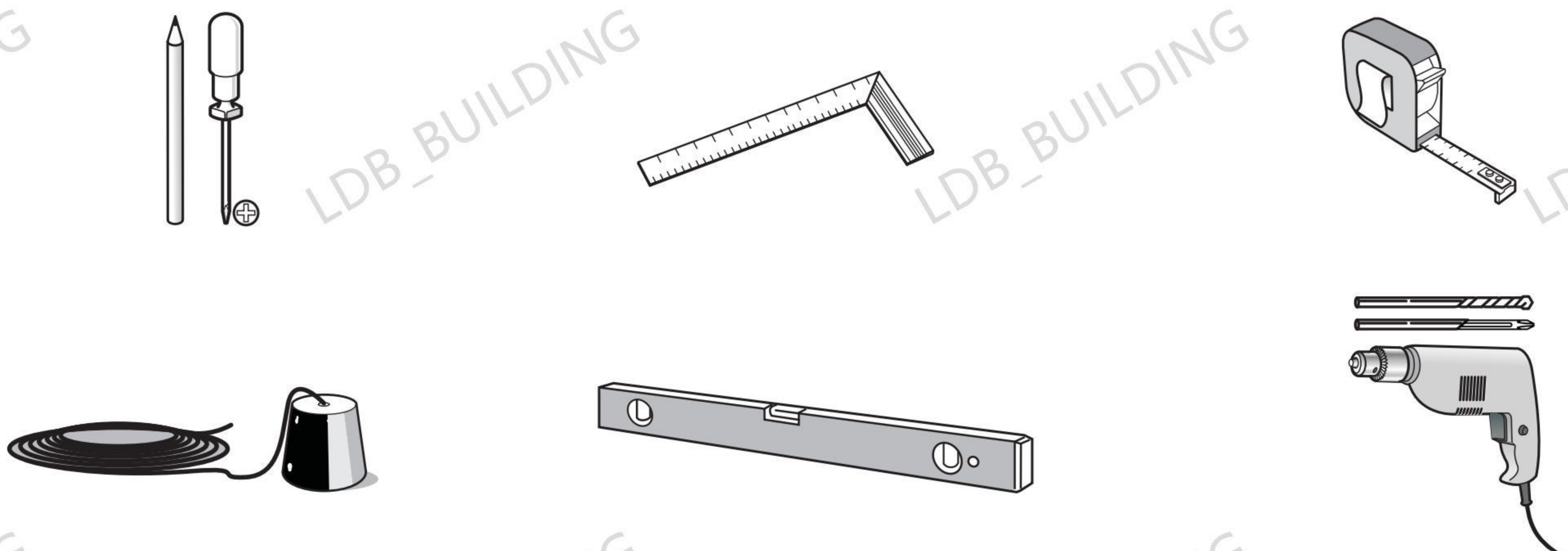
Wrench



Have any questions or issues? Reach out to us with **PO#**

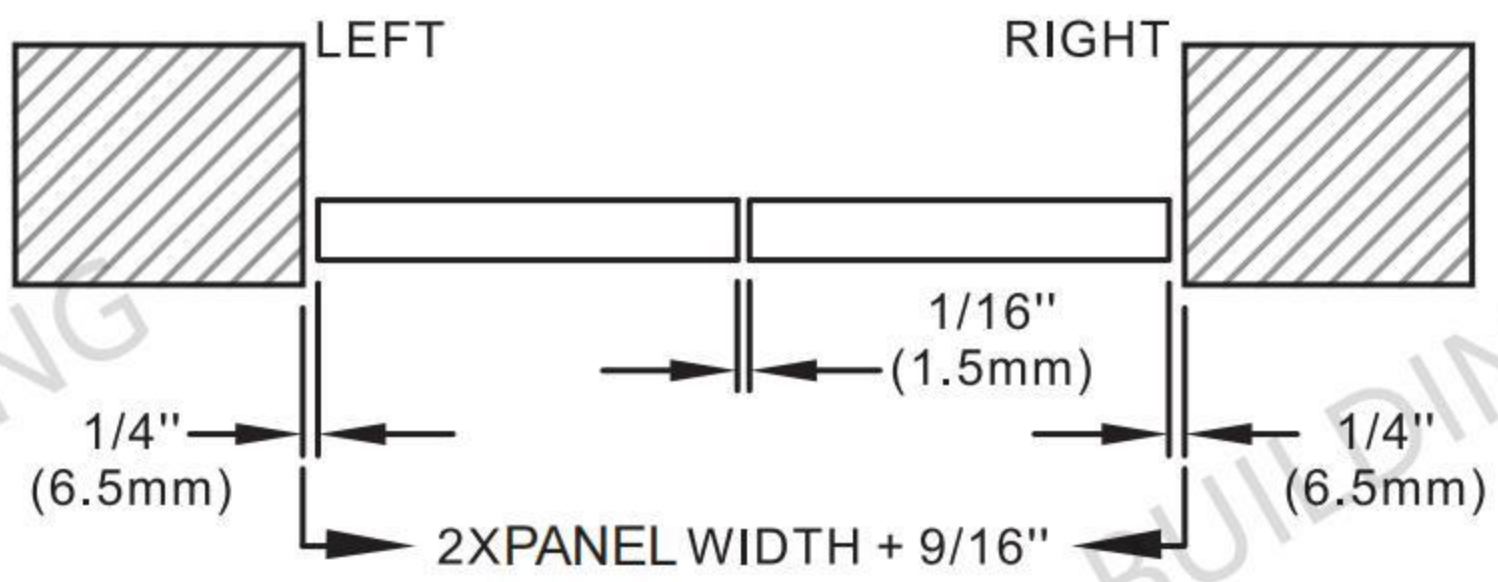
Email: help@bestbarndoor.com

Tools required

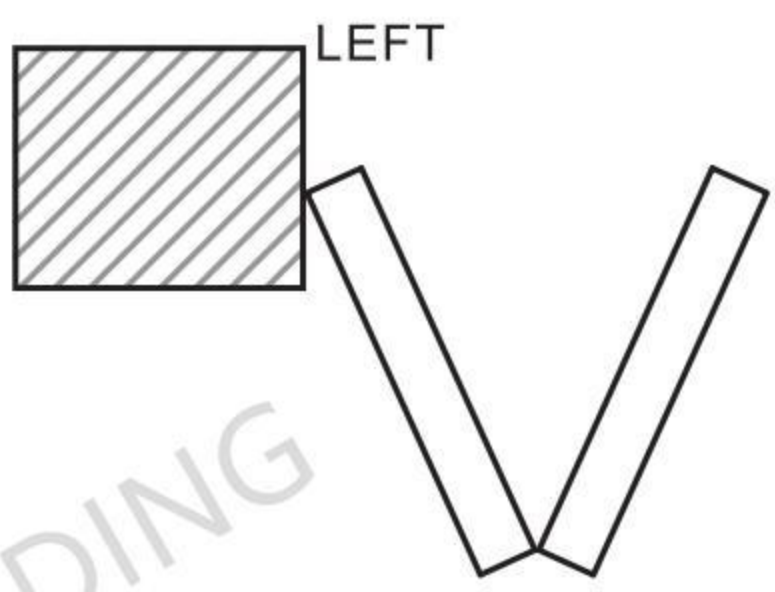


Assembly Notes

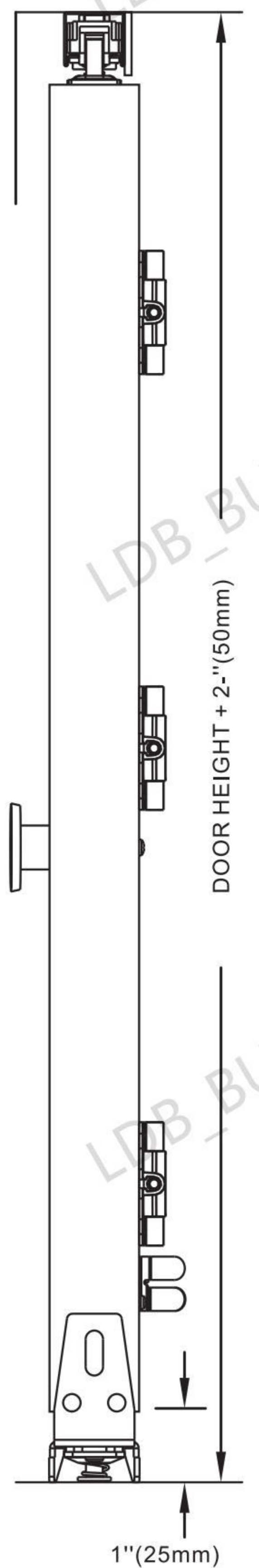
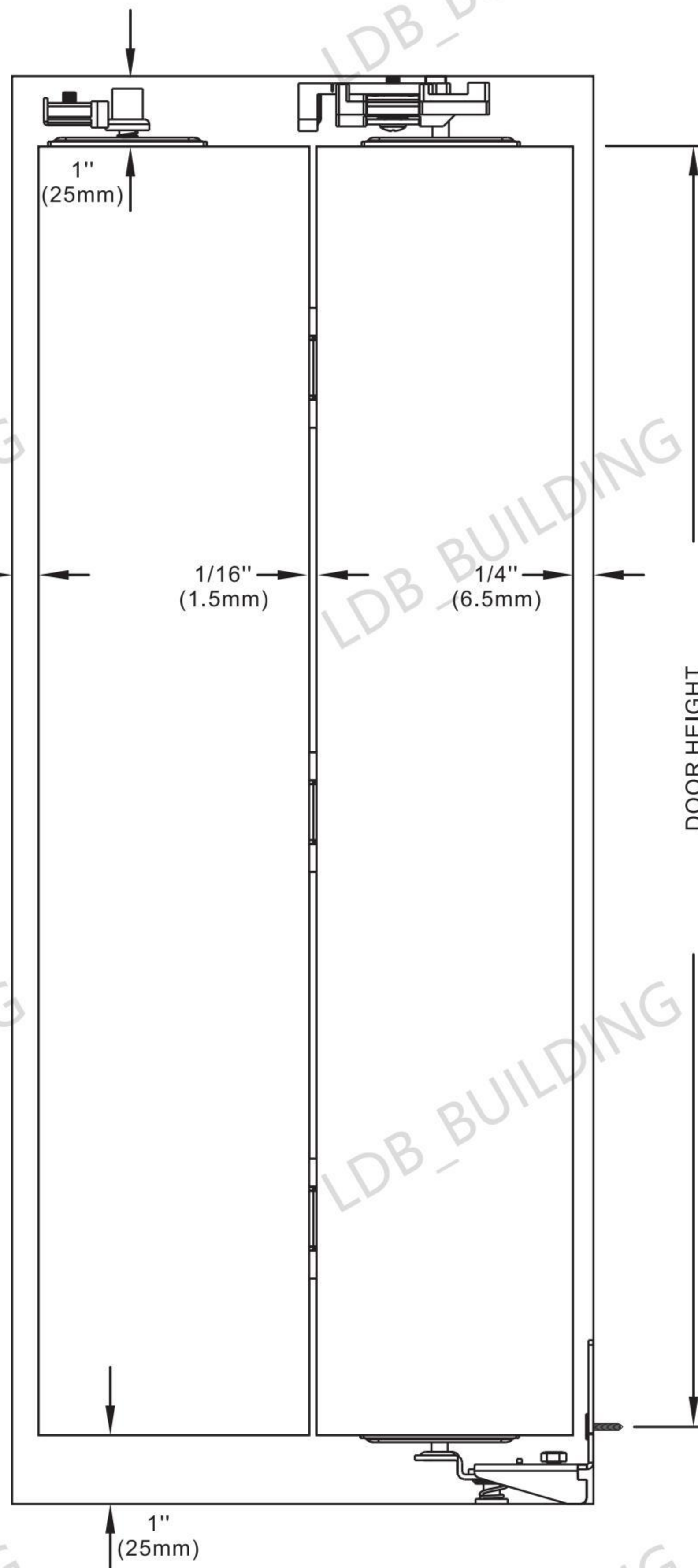
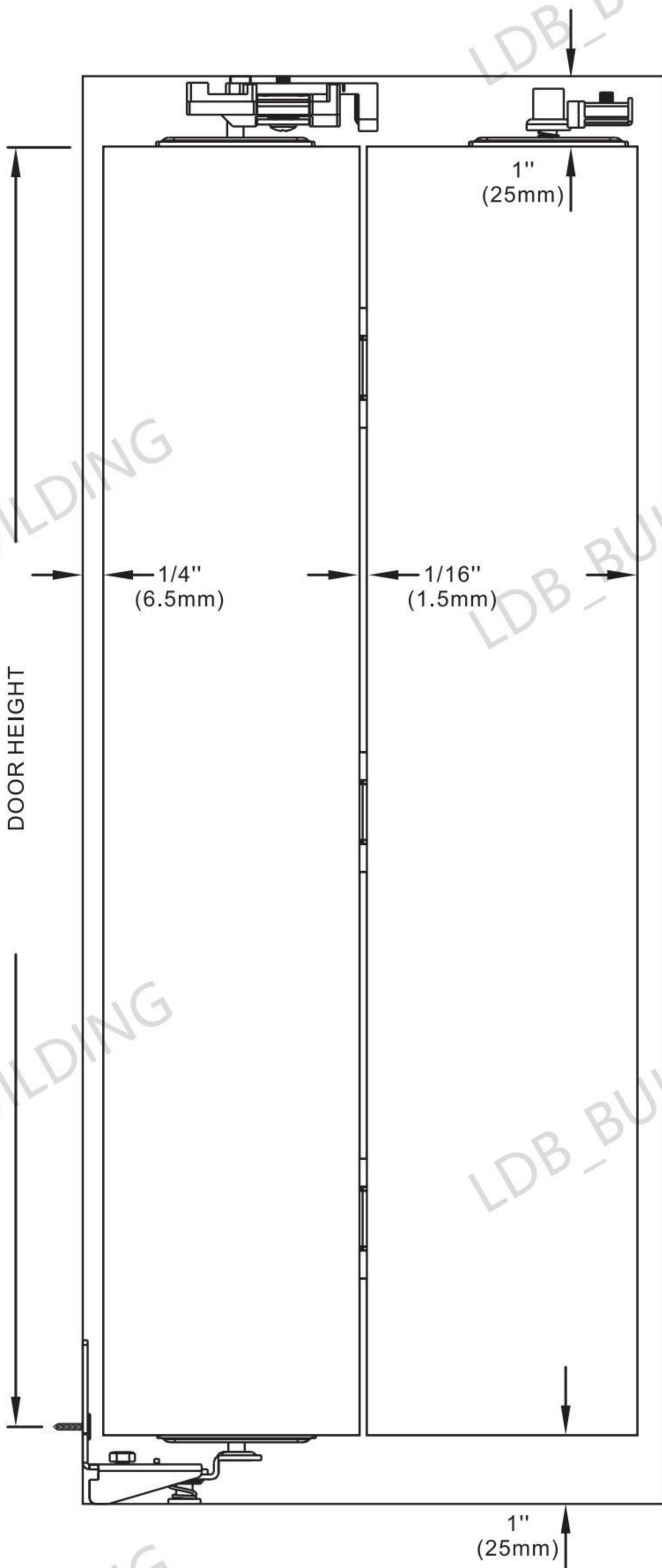
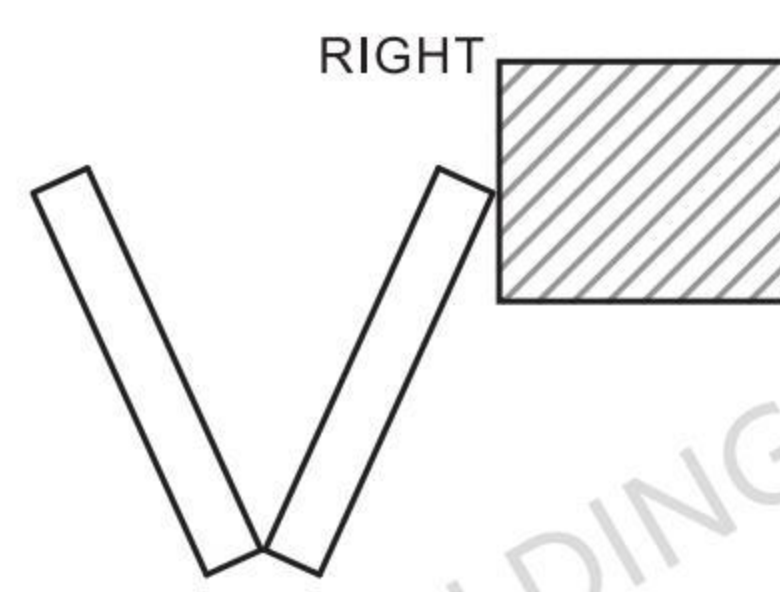
2 X PANEL



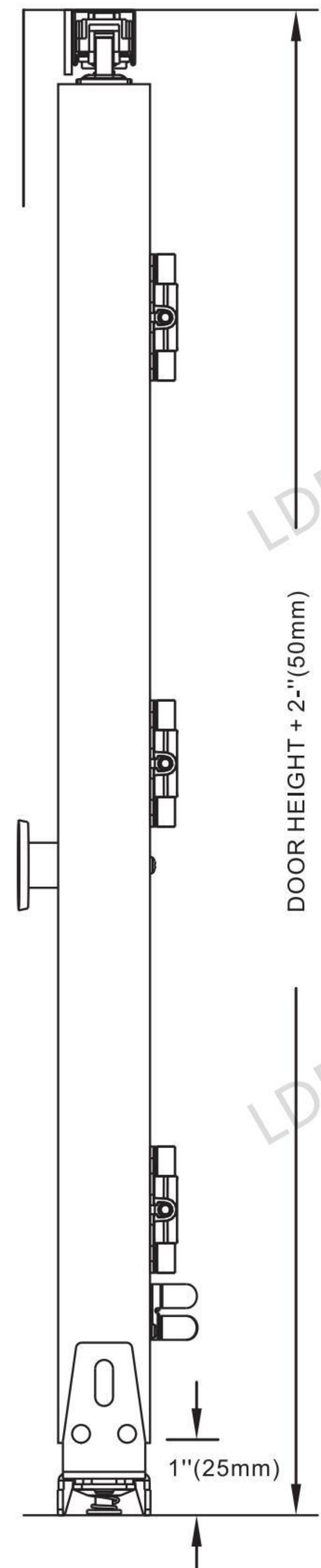
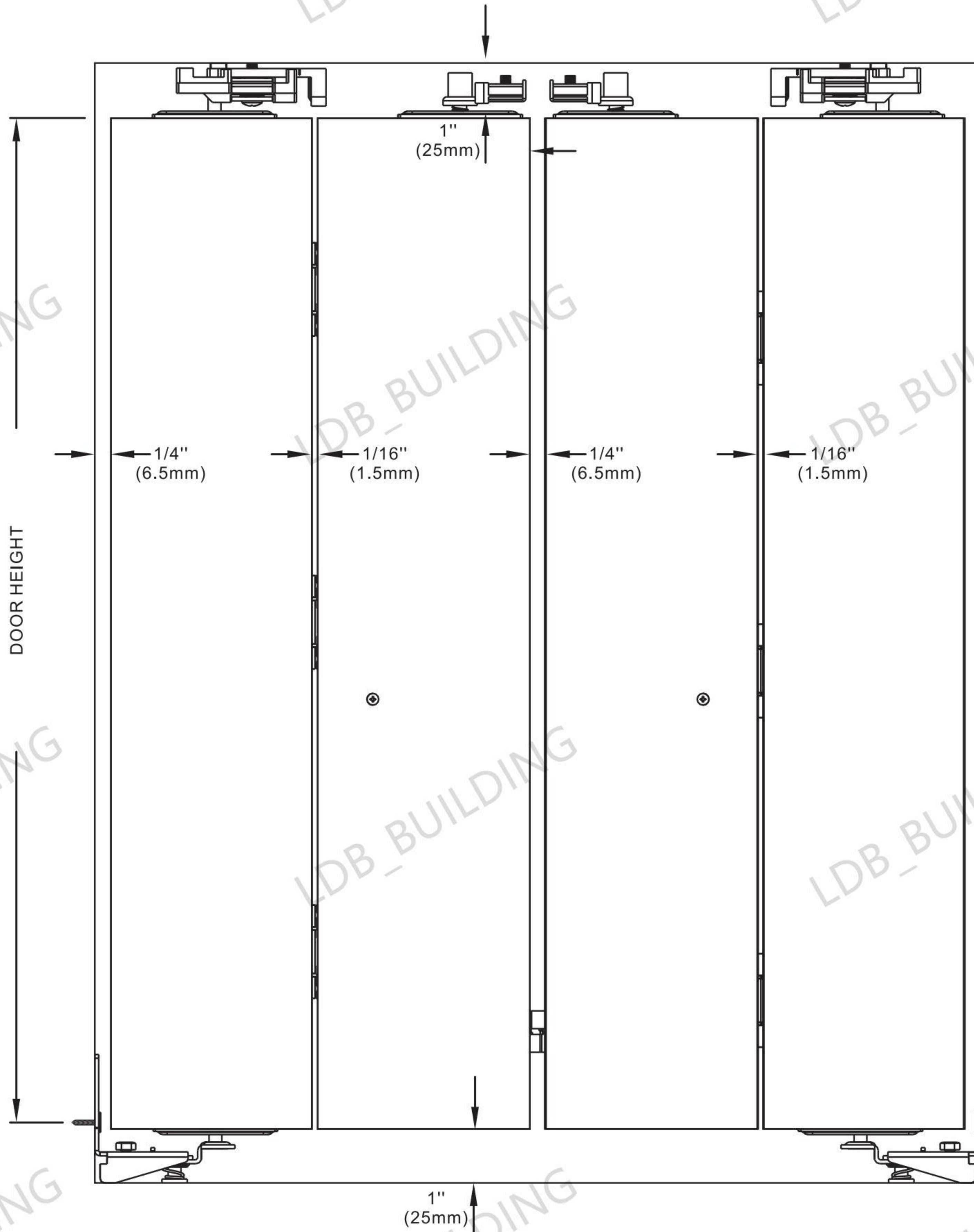
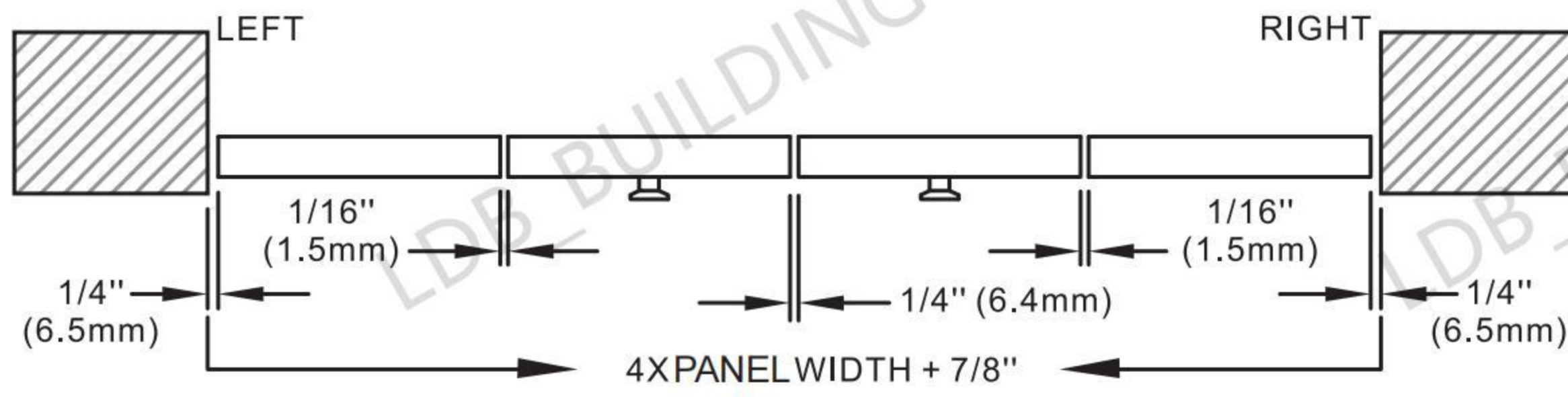
LEFT HAND SWING



RIGHT HAND SWING



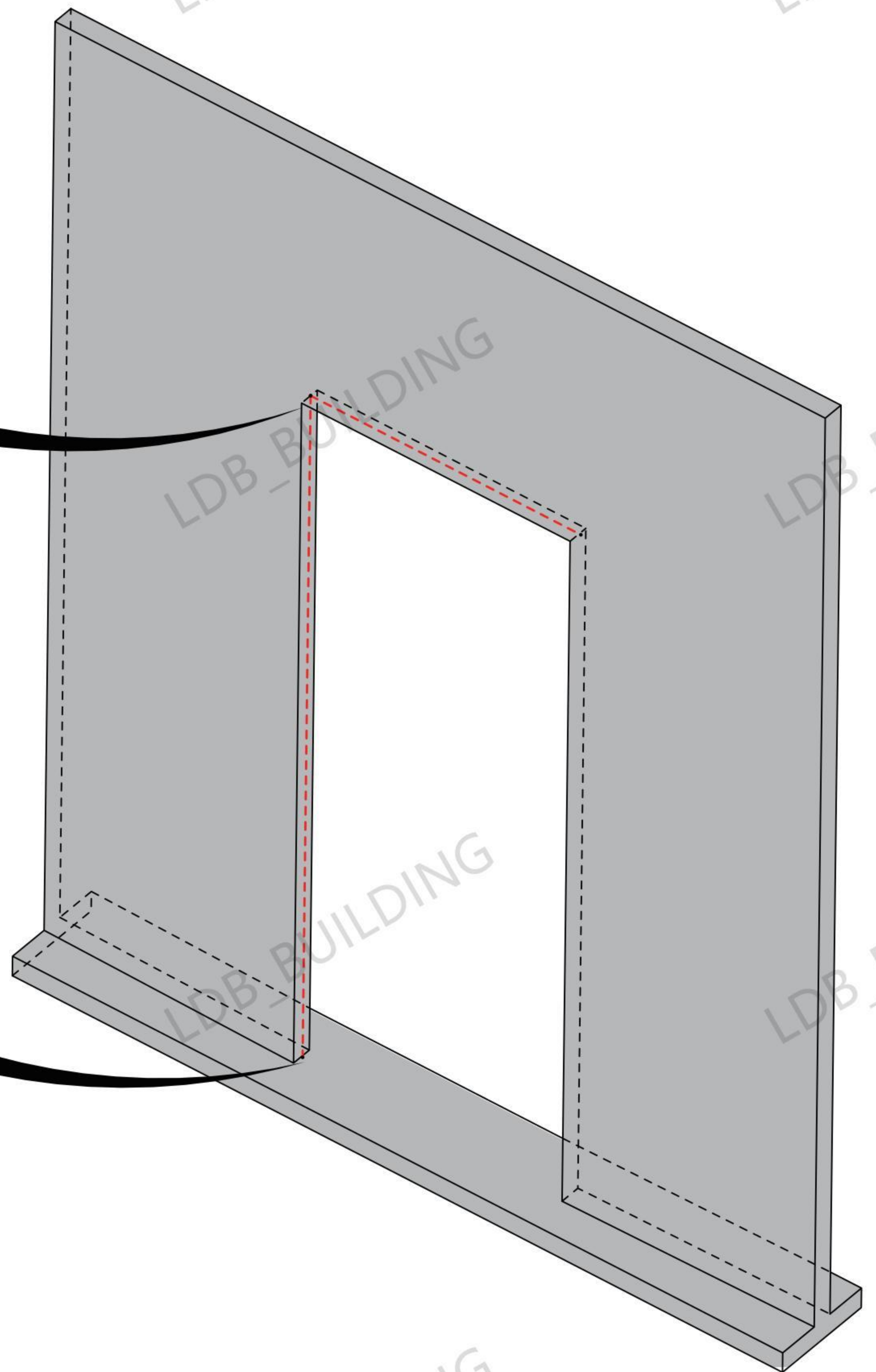
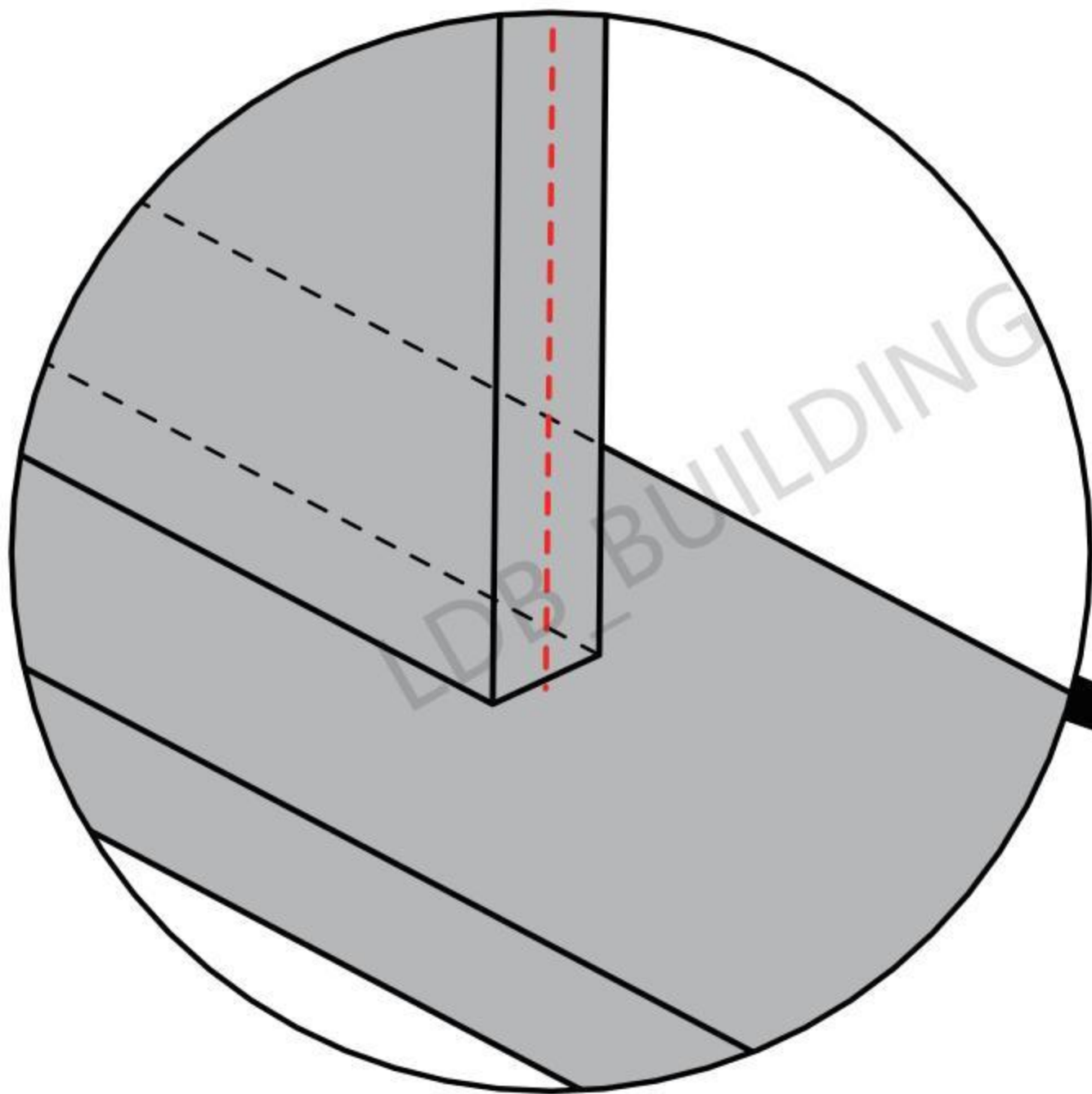
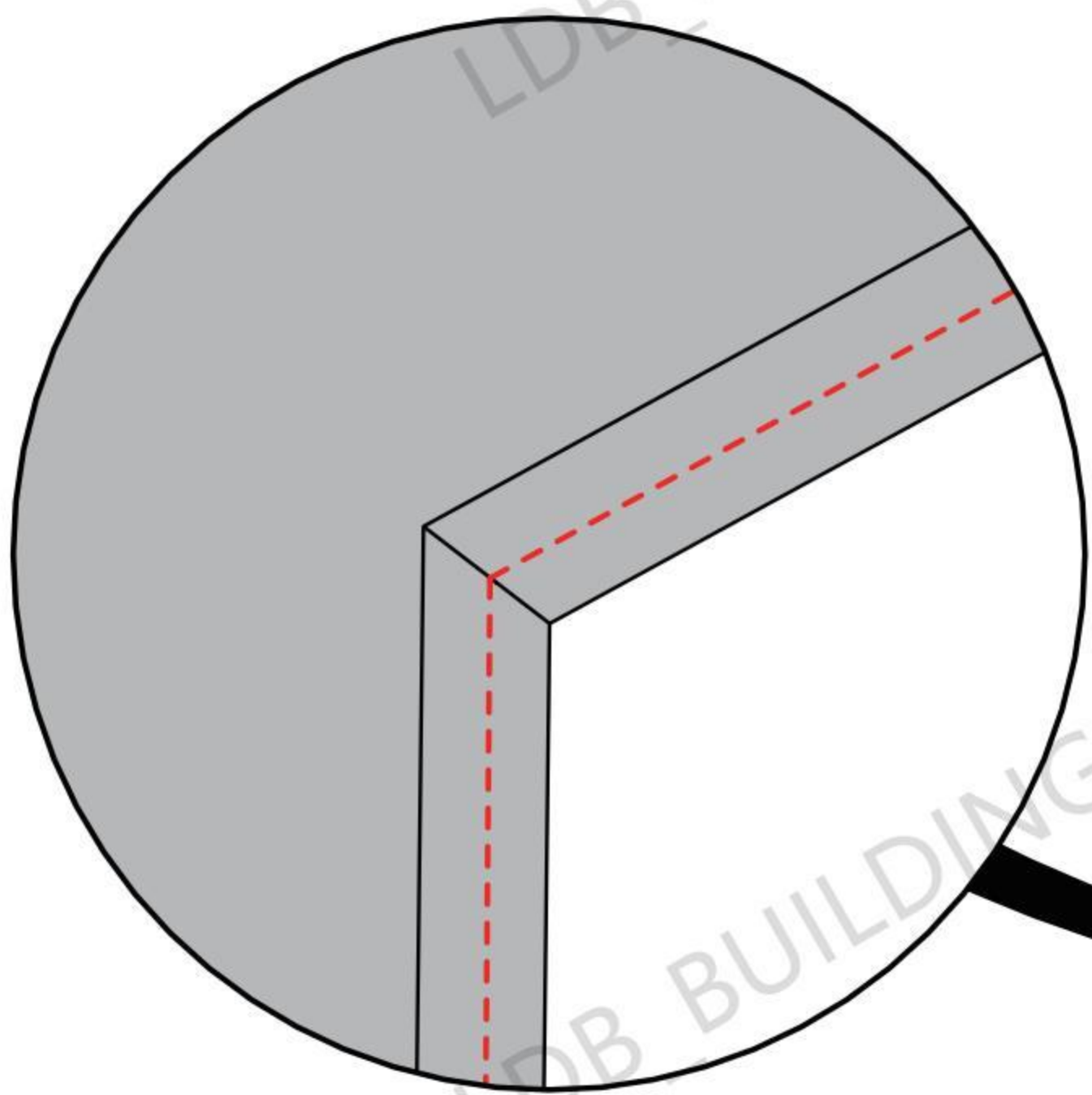
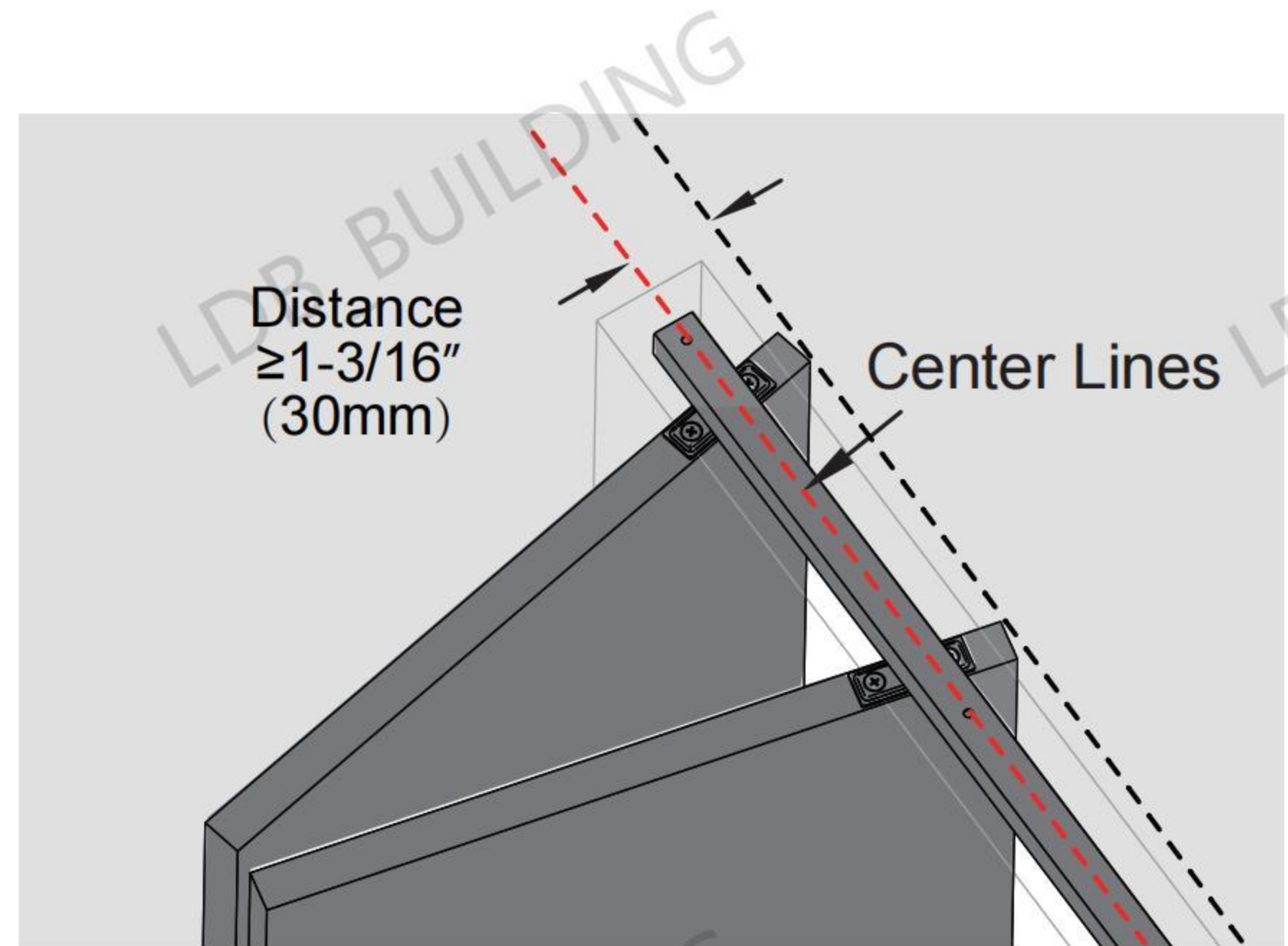
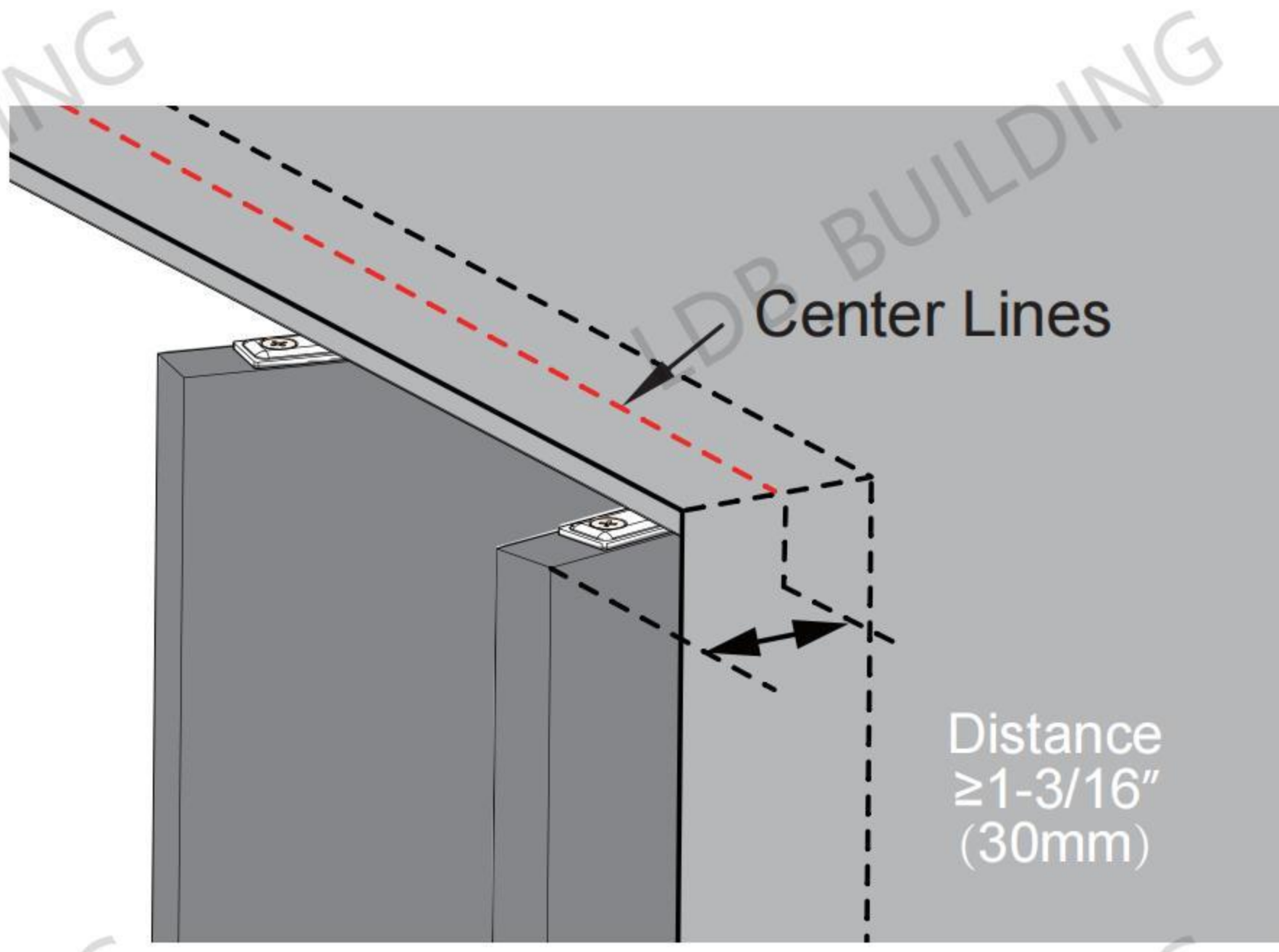
4 X PANEL



Product Installation

Step 1 Draw Center Lines

Installation requirement: Distance $\geq 1\text{-}3/16"$ (30mm)

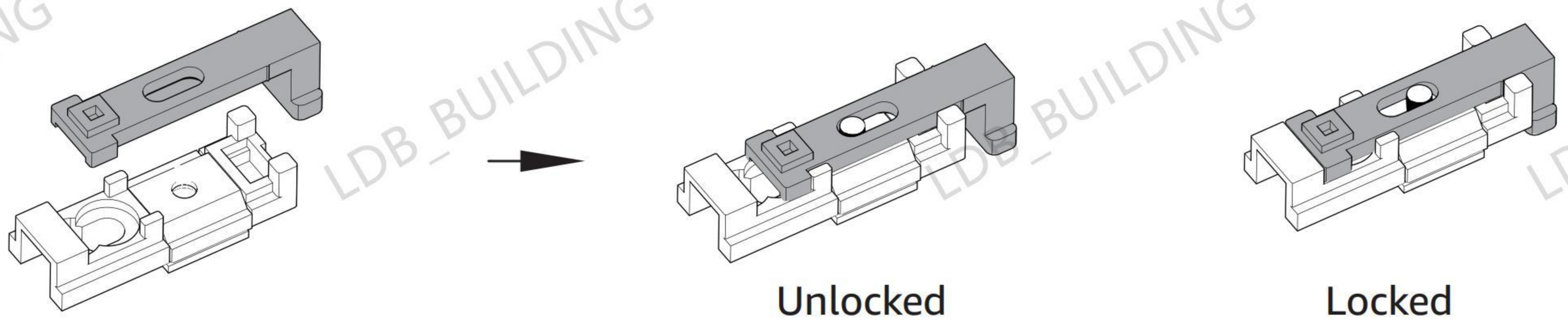


Product Installation

Step 2 Mount Top Track(A)

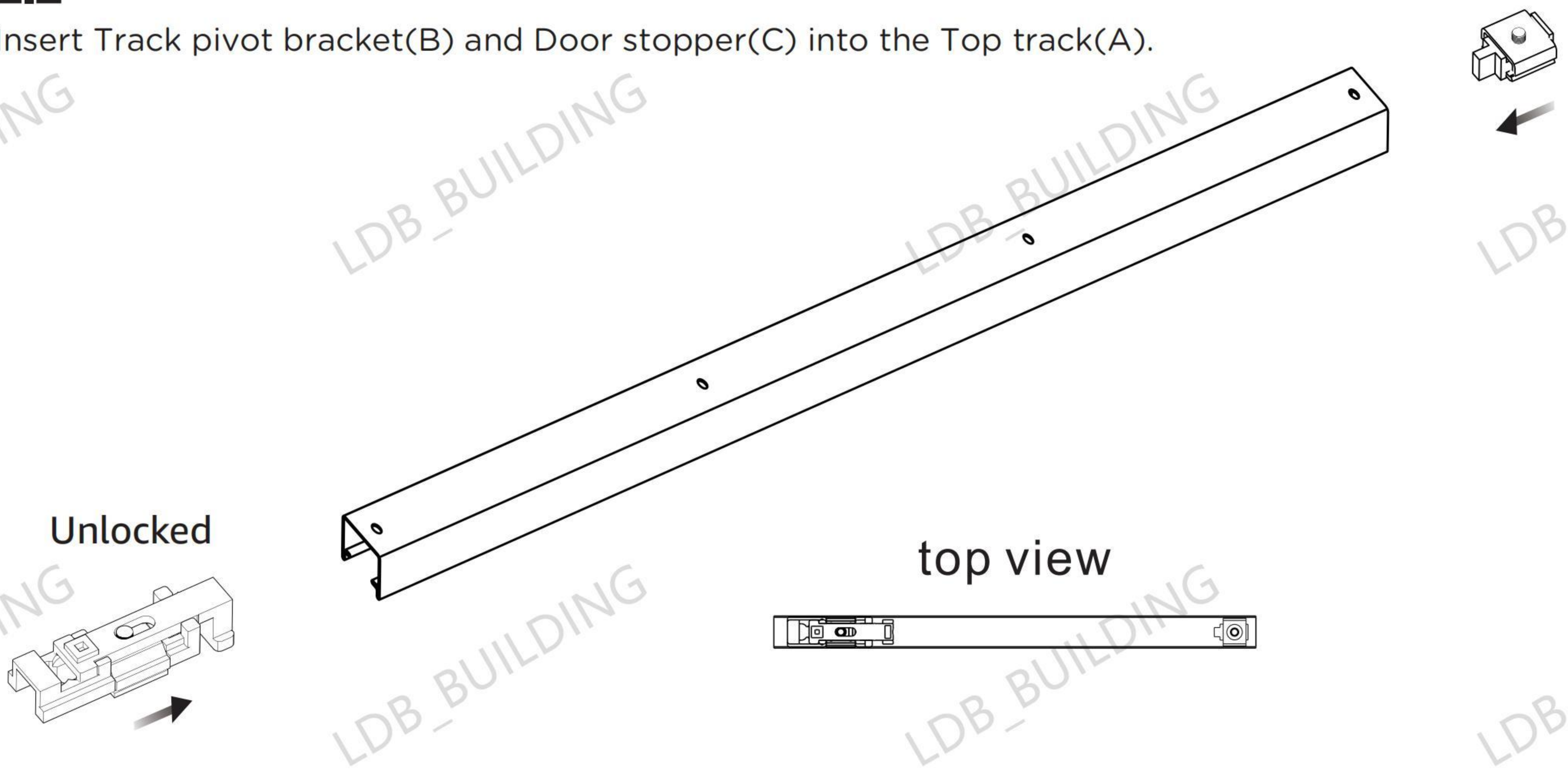
2.1

Please check unlocked & locked status of Track pivot bracket(B) as illustrated below:



2.2

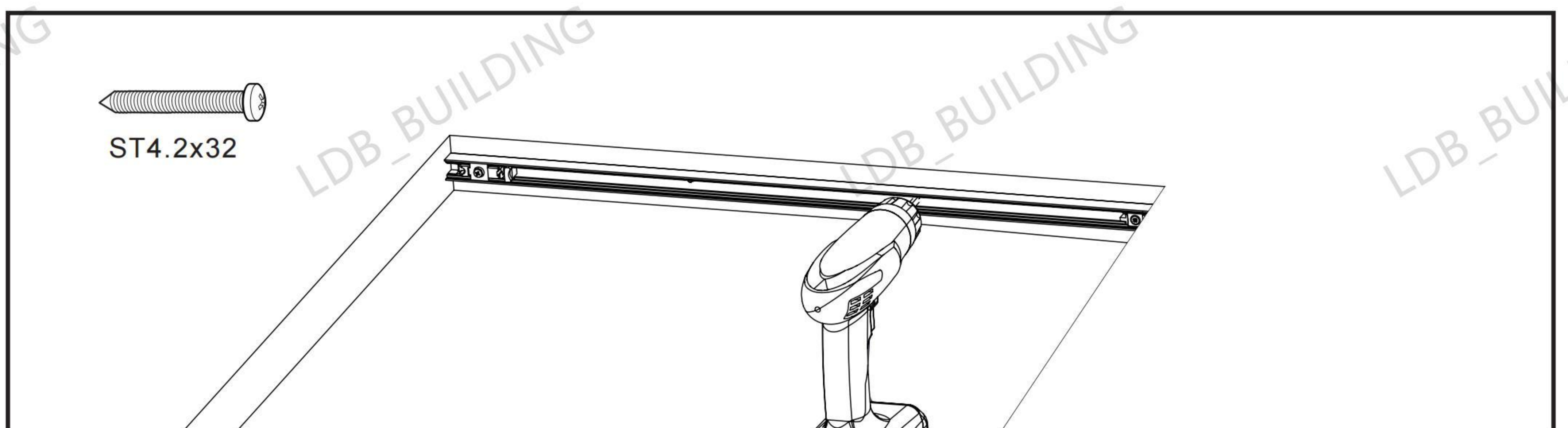
Insert Track pivot bracket(B) and Door stopper(C) into the Top track(A).



2.3

Screw in the track screws.

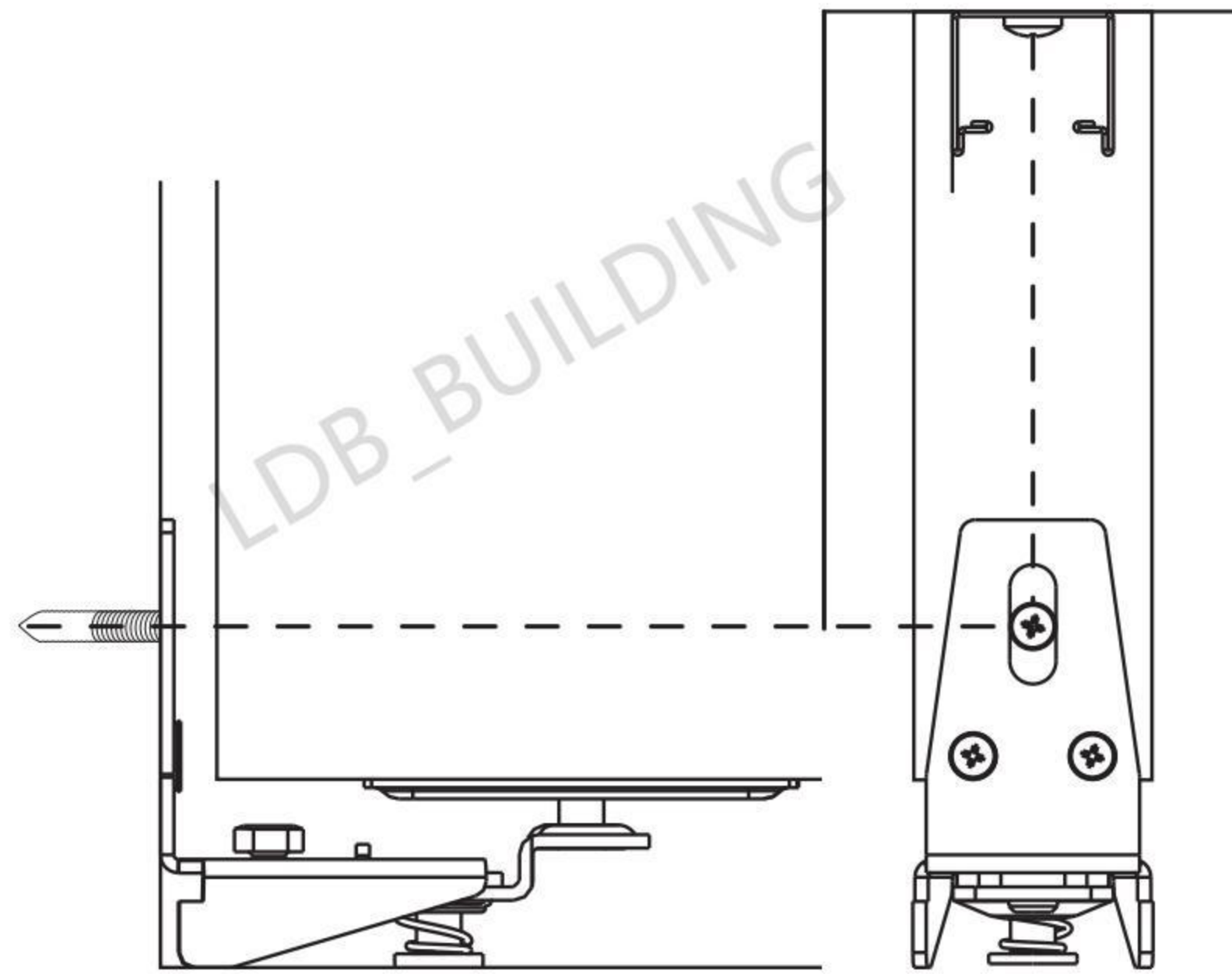
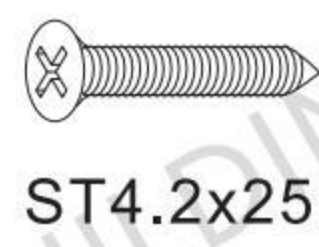
Tips: Secure the screws in the center first, then both sides.



Product Installation

Step 3 Mount Bottom fixed bracket(H)

Align Bottom fixed bracket(H) with the centerline of the door frame, drill holes and screw in.

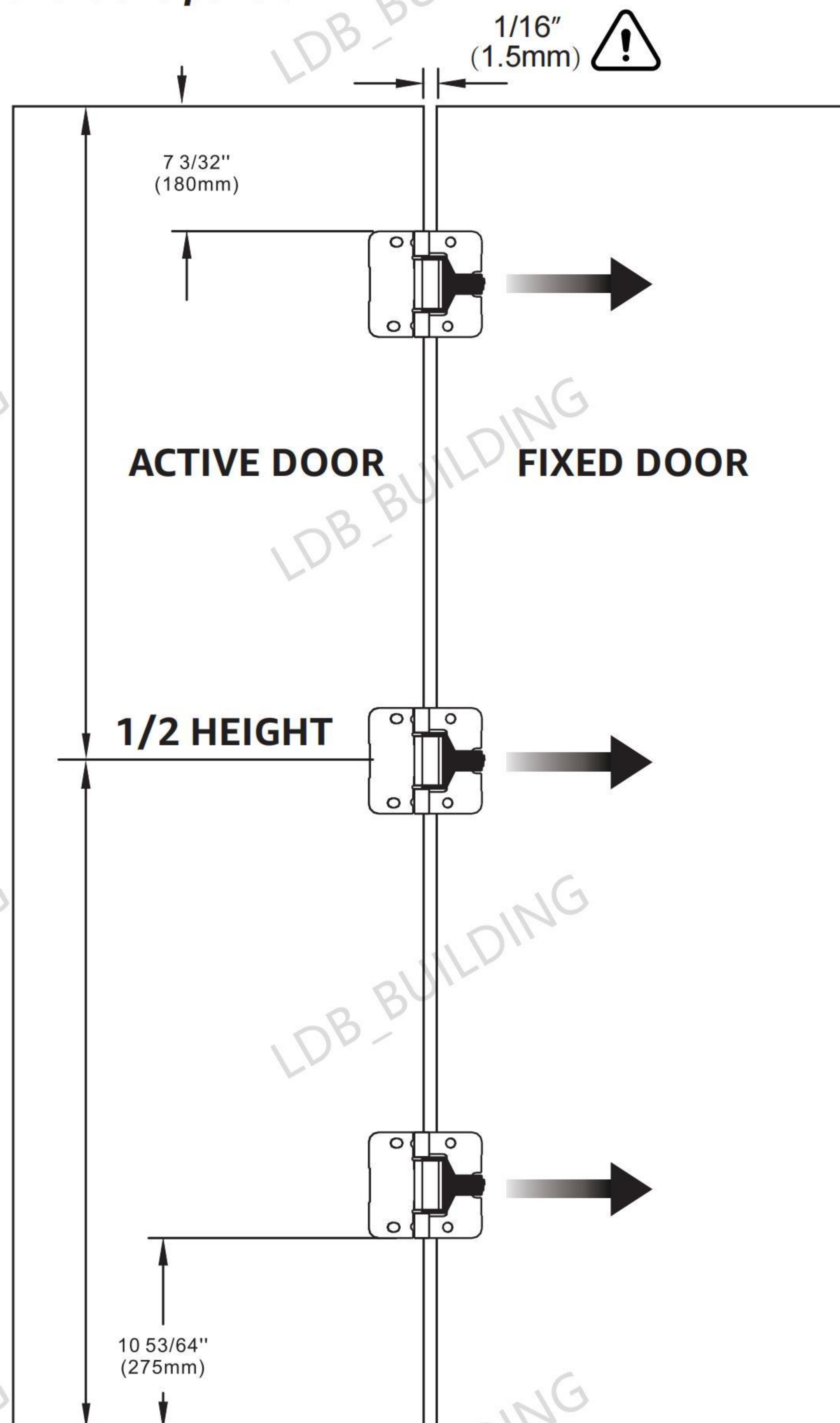
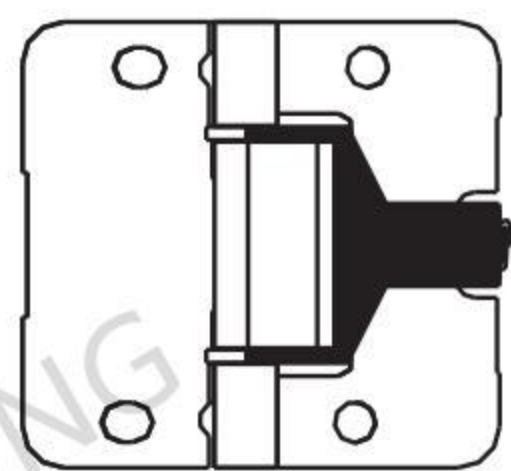
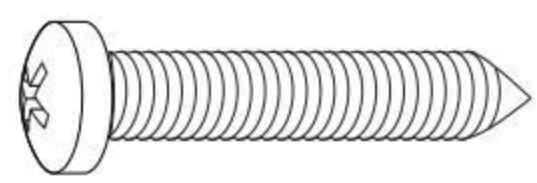


Step 4 Attach Hinges(F)

! IMPORTANT:

* **MAKE SURE THE BLACK PLASTIC points towards FIXED DOOR AS ILLUSTRATED BELOW**

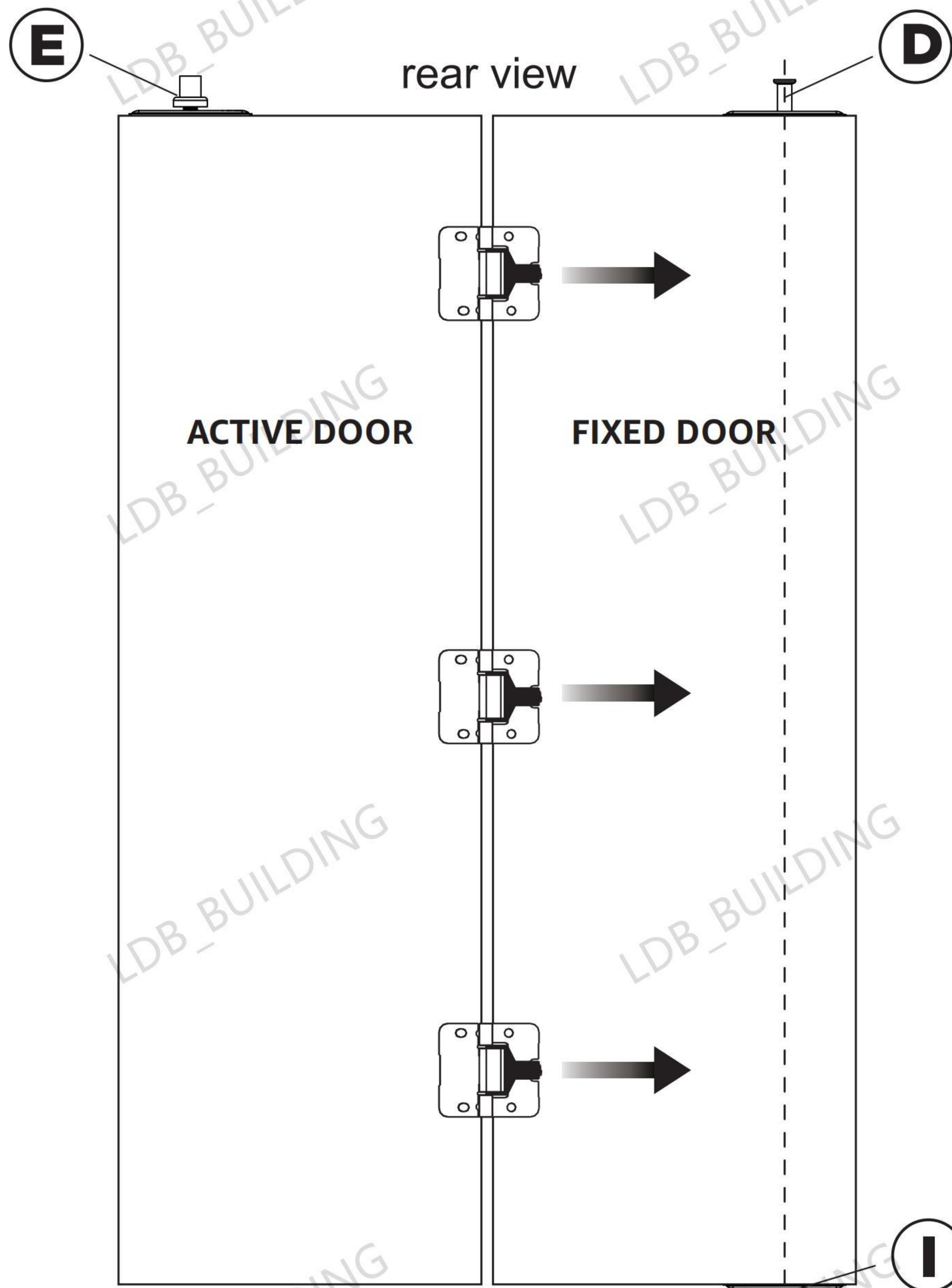
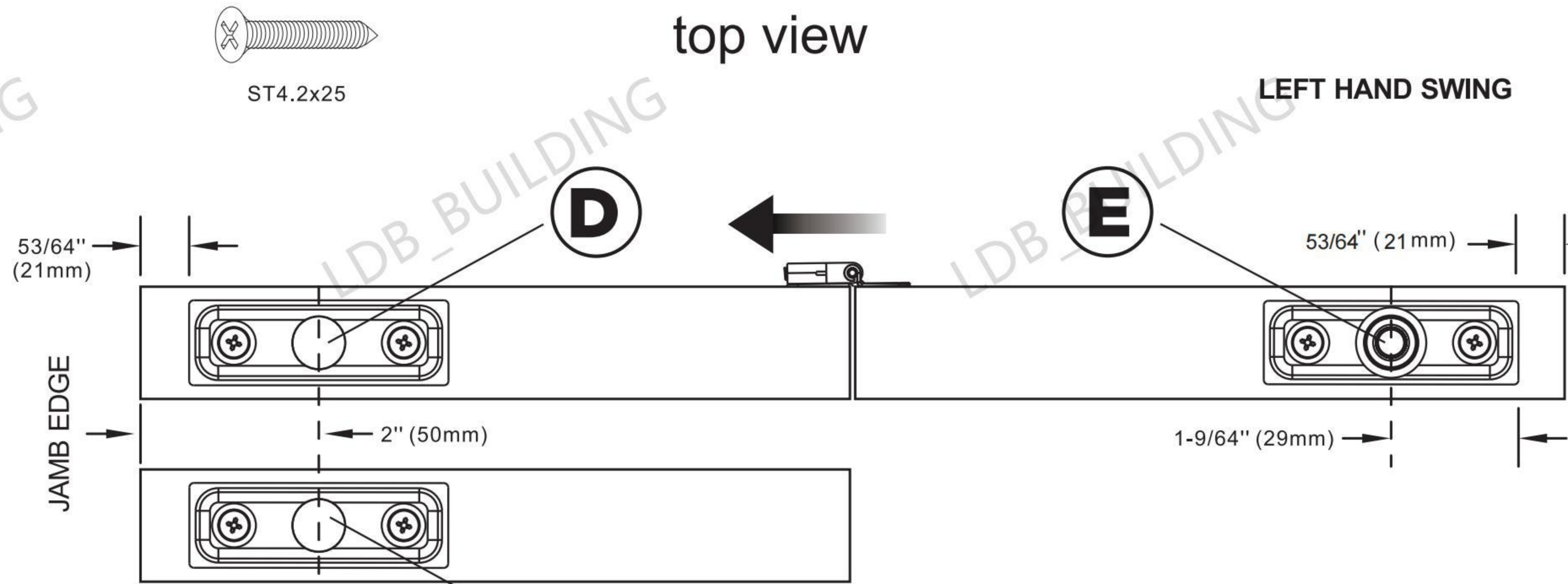
* **1/16" (1.5mm) gap required between the two panels**



Product Installation

Step 5 Drill holes before screw in

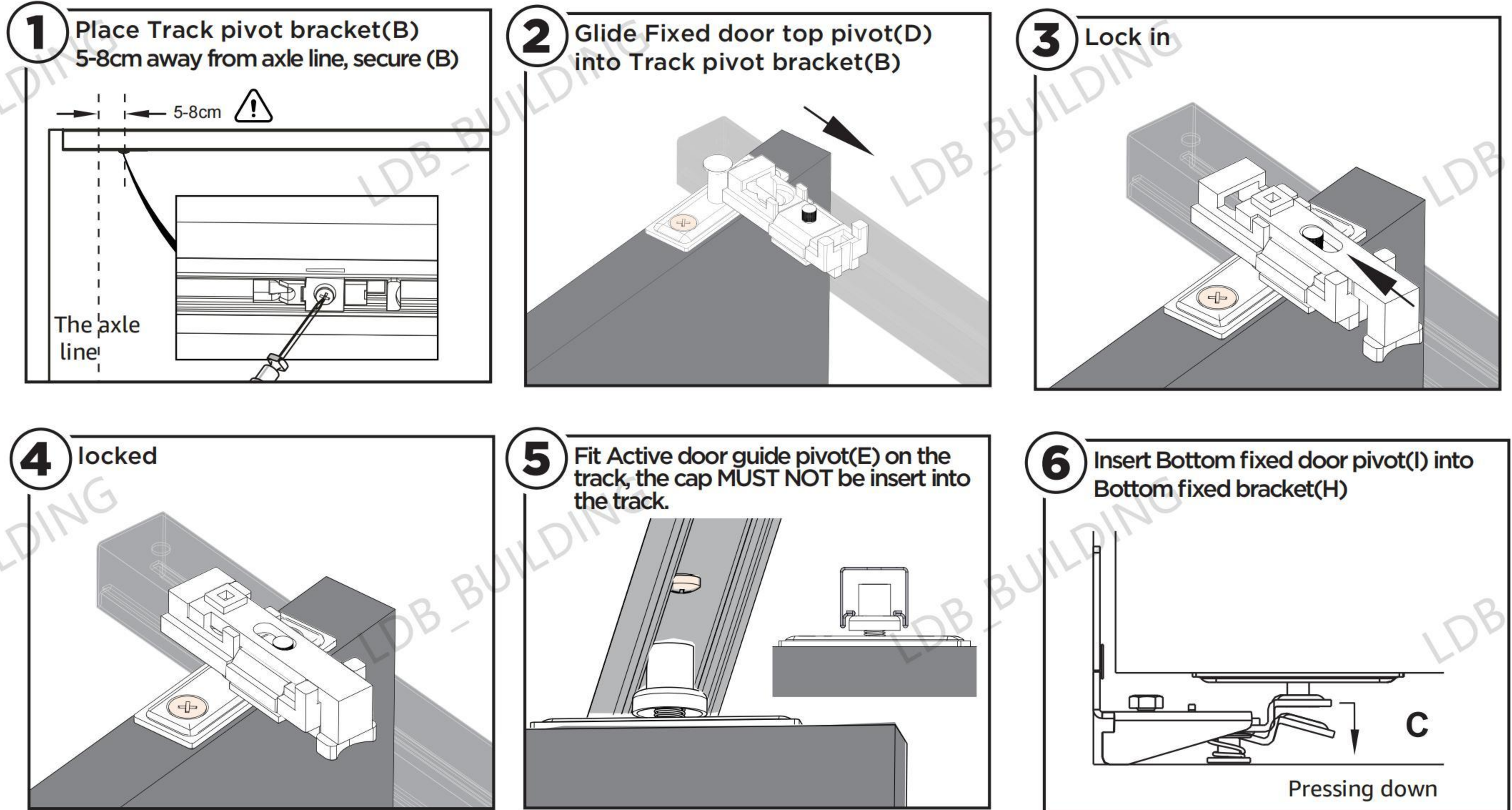
Use $\Phi 3\text{MM}$ drill bit to drill a hole 5MM deep, then PH2 phillips screwdriver bit to screw in.



Product Installation

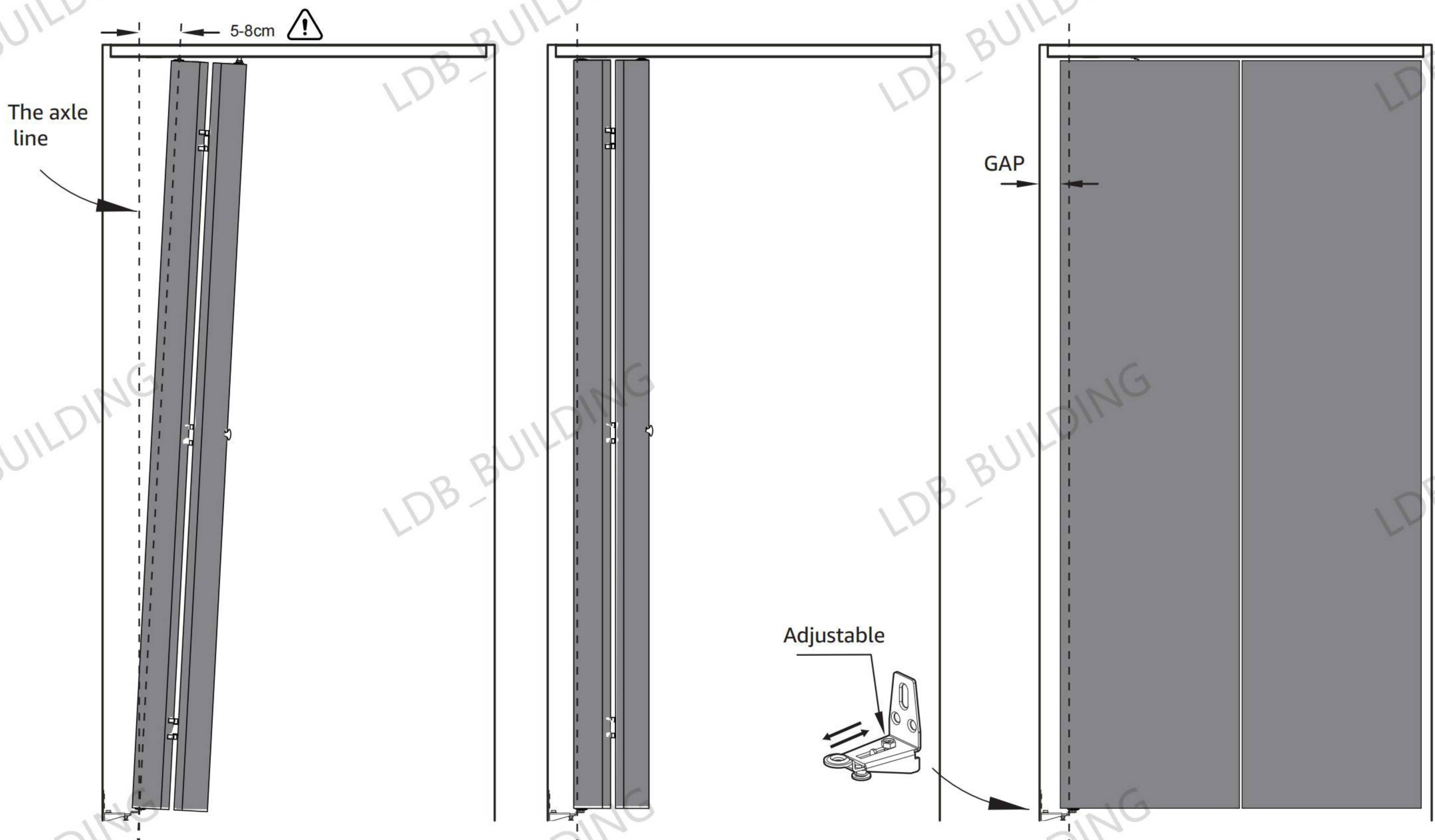
Step 6 Hang the Door

Insert Fixed door top pivot (D) into Track pivot bracket(B) and lock the bracket by pushing the arm inward.



Loosen screw on Track pivot bracket (B), slide the door toward Axle line, secure (B) until the door vertical to the ground.

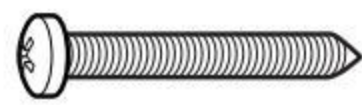
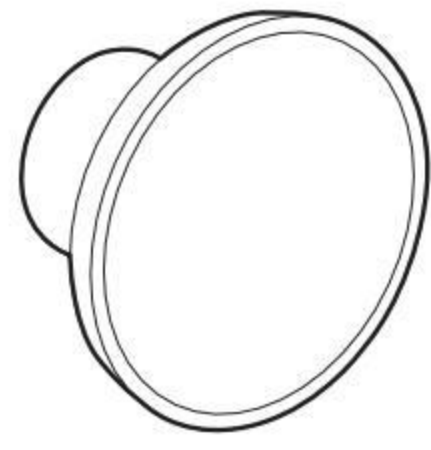
TIP: If you find the gap is unacceptably large between edge and door kindly adjust Part (H) until acceptable, and ensure your door vertical by adjusting Part (B),



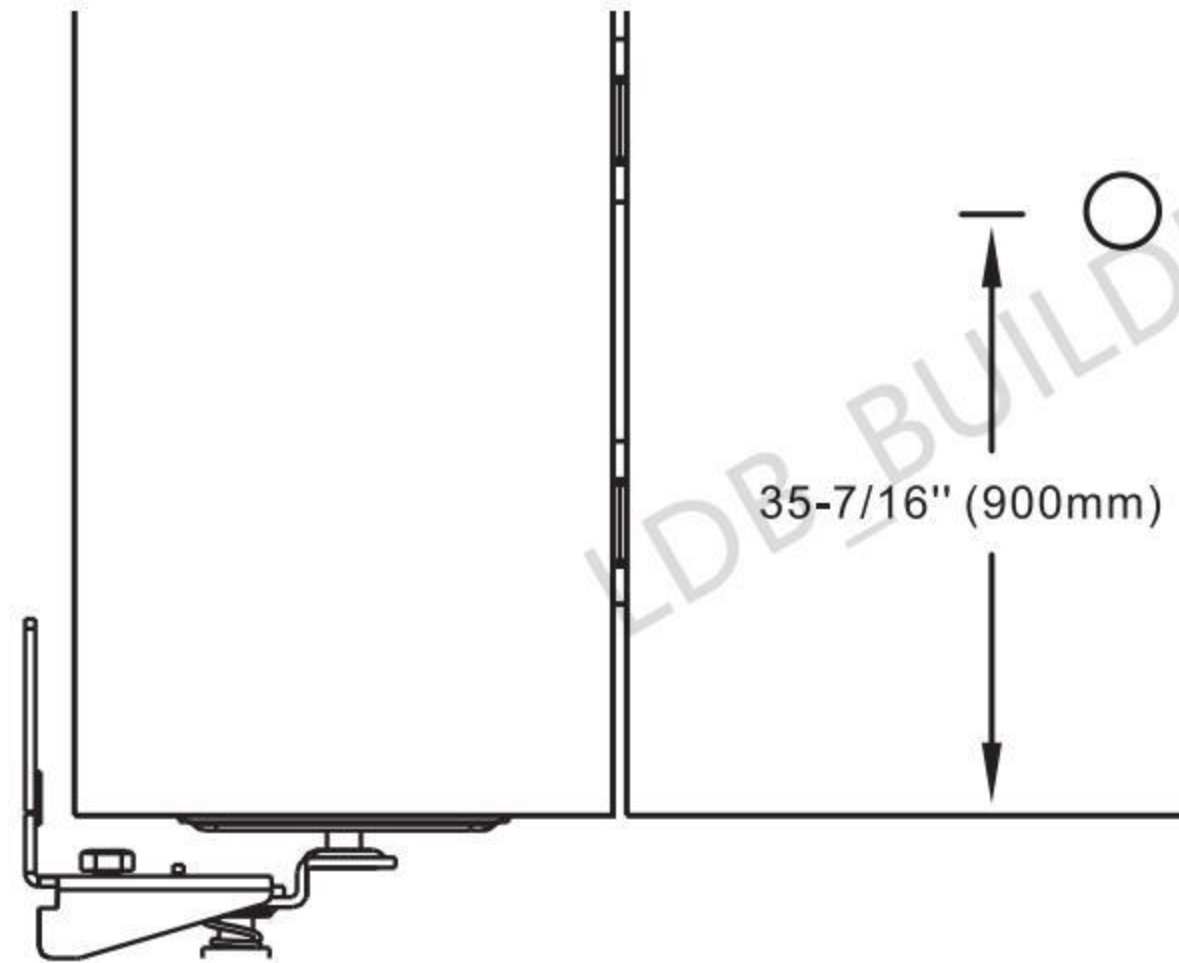
Product Installation

Step 7 Install Knob(G)

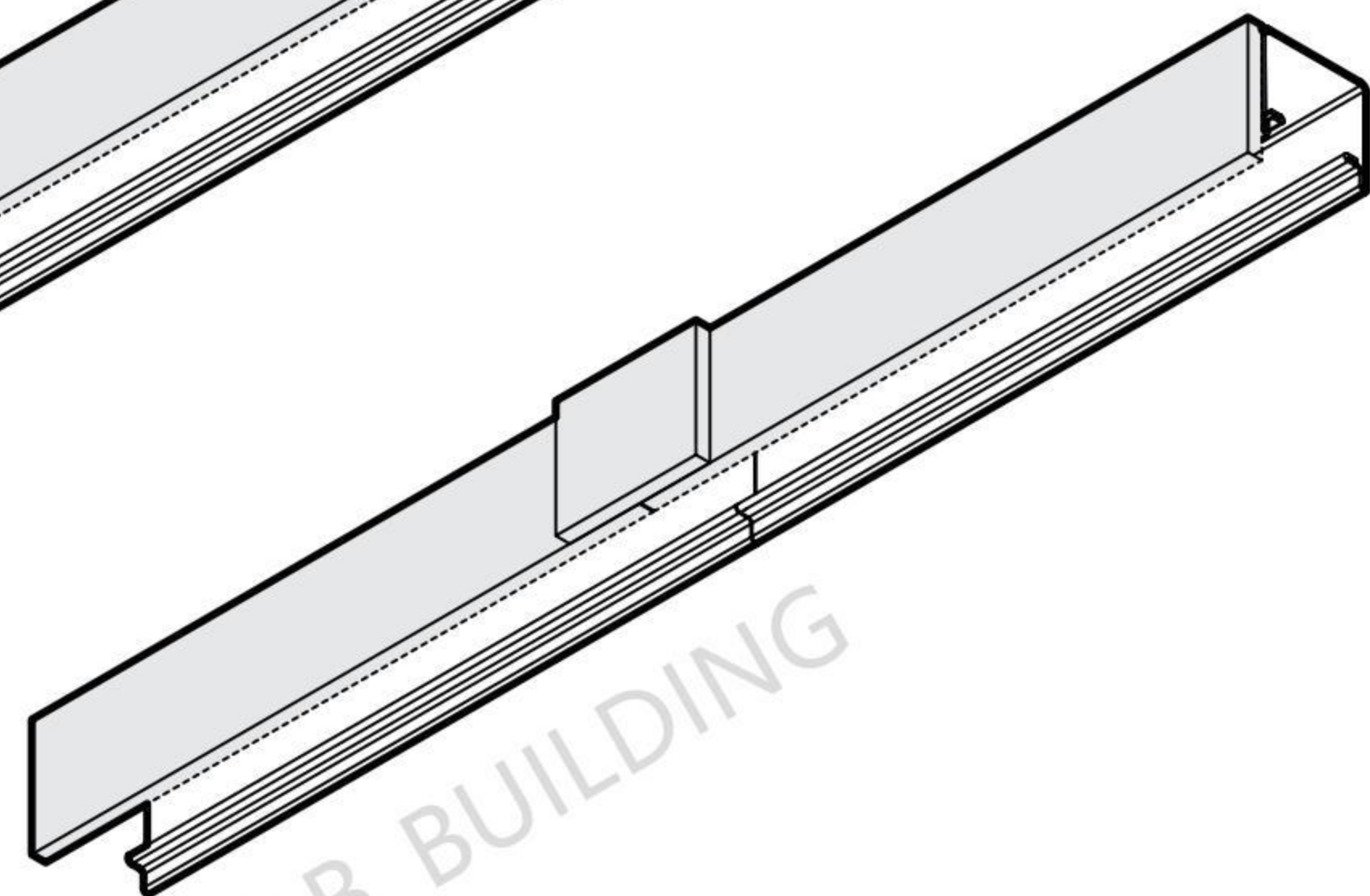
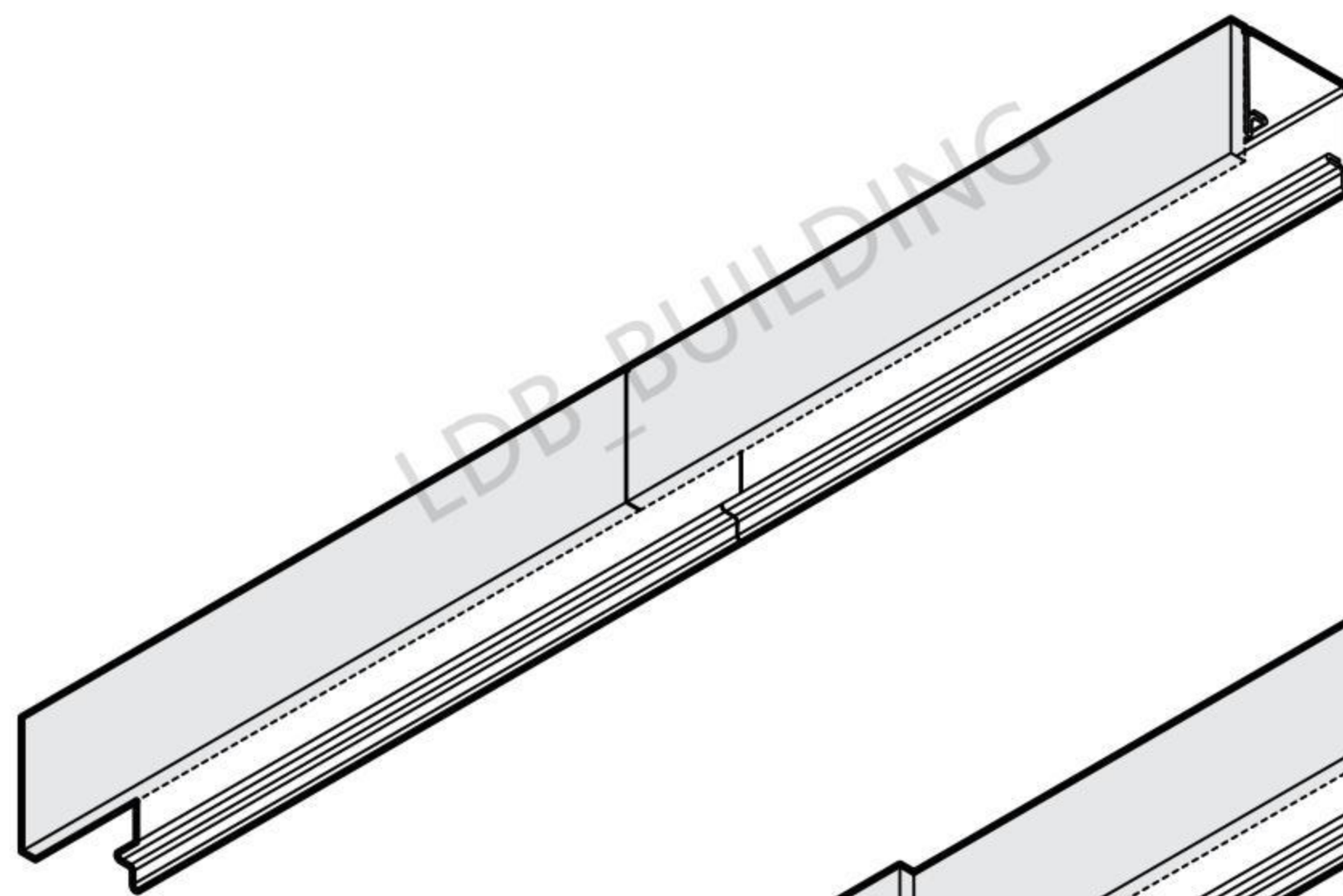
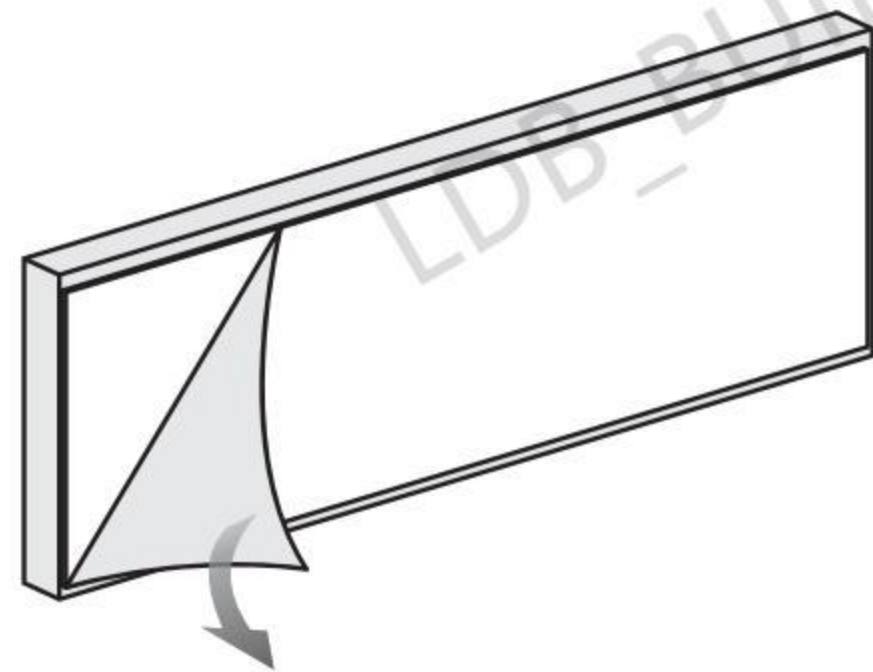
Secure Knob(G) with screw from backside through the door panel at a height you prefer.



ST4.2x32

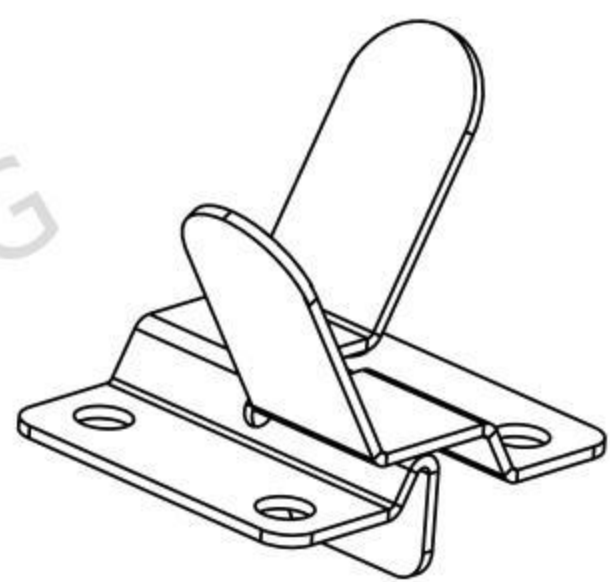


Step 8 Attach Fascia(K)



Optional: Step 9 Install Panel Aligner(J)

Only applicable to 4 X Panel



ST4.2x16

