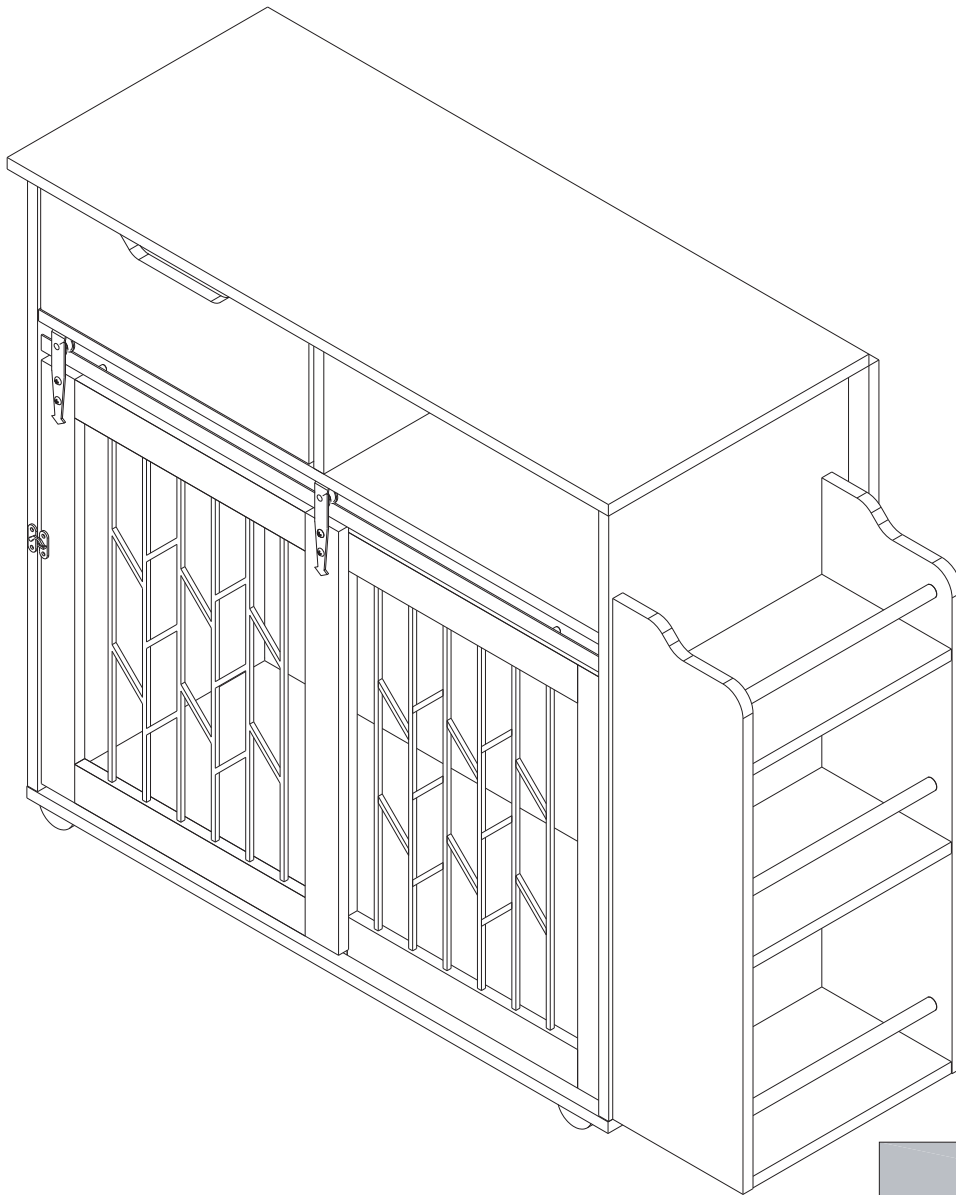


# Multi style PET House-S

Assembly Instructions - Please keep for future reference



## Dimensions

Width-35.43inch

Depth-15.74inch

Height-35.04inch

Important - please read these instructions fully before starting assembly



# Safety and Care Advice

**Important – Please read these instructions fully before starting assembly**

- Check you have all the components and tools listed on the following pages.
- Remove all fittings from the plastic bags and separate them into their groups.
- Keep children and animals away from the work area, small parts could choke if swallowed.
- Make sure you have enough space to layout the parts before starting.

- During assembly do not stand or put weight on the product, this could cause damage.
- Assemble the item as close to its final position (in the same room) as possible.
- Assemble on a soft level surface to avoid damaging the unit or your floor.
- Parts of the assembly will be easier with 2 people.



power drill is set on a low torque setting.

- To reduce the likelihood of damaging your product please ensure that your

## Care and maintenance

- Only clean using a damp cloth and mild detergent, do not use bleach or abrasive cleaners.
- From time to time check that there are no loose screws on this unit.
- This product should not be discarded with household waste. Take to your local authority waste disposal centre.

## Handy Hints

- Assemble all parts and bolts loosely during assembly, only once the product is complete should you fully tighten the bolts
- Regularly check and ensure That all bolts and fittings are tightened properly.

**WARNING**  
**In order to help prevent overturning –**  
**please follow these instructions**

To help prevent product toppling over please follow the below steps:-

- Use the anti tip stap or wall fixing method provided (if applicable)
- Do not allow children to climb or hang on the furniture
- Do not open more than one drawer at a time
- Do not place heavy items in the top drawers
- Do not place heavy items on top of the furniture, unless the furniture has been designed for this purpose

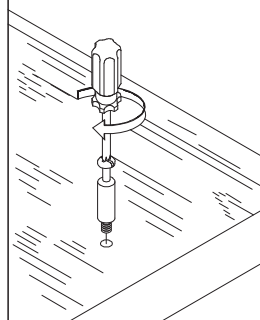
# Using Camlocks

## Step 1

Connect the male camlock as directed in the assembly instructions using a screwdriver.

1

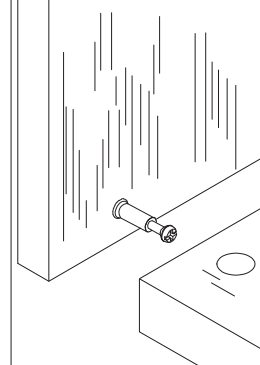
DO NOT OVER TIGHTEN.  
NE PAS SERRER EXCESSIVEMENT.



## Step 2

Push the male camlock into the entry hole.

2

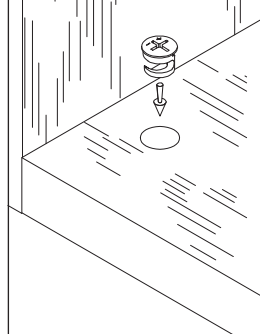


## Step 3

Insert the female camlock as shown in the instruction.

Note: ensure that the arrow on the top of the camlock points towards the entry hole for the male camlock.

3



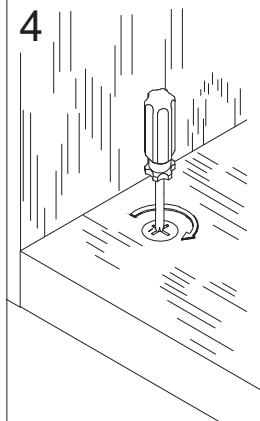
## Step 4

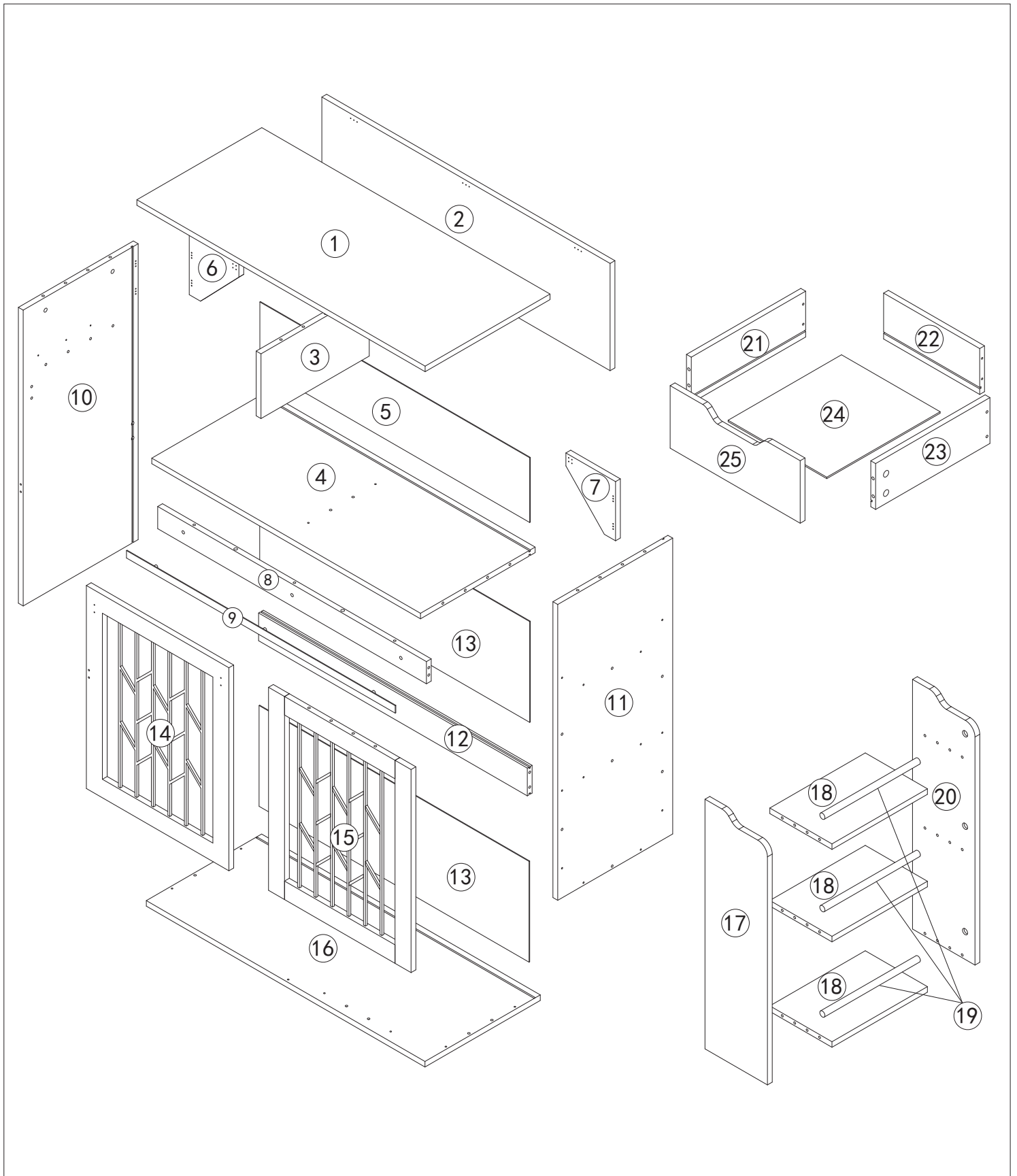
Turn the female camlock clockwise with a screwdriver.

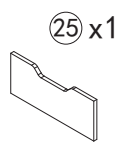
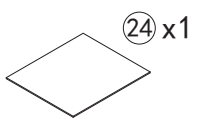
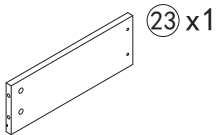
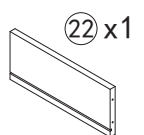
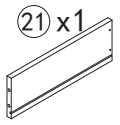
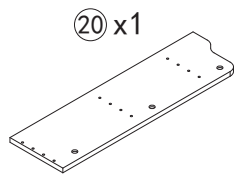
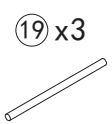
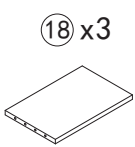
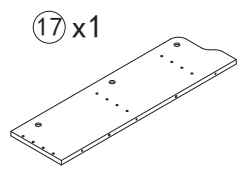
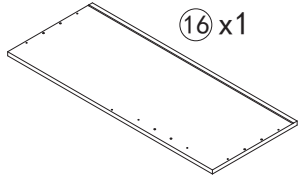
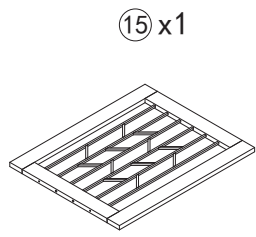
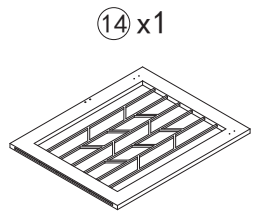
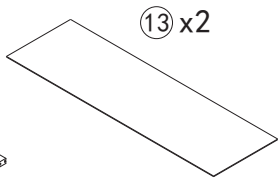
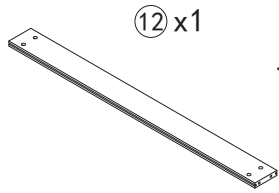
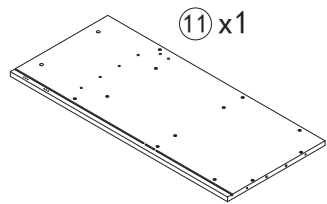
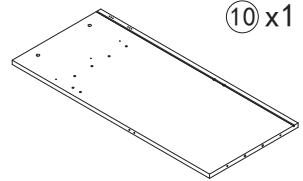
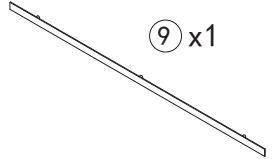
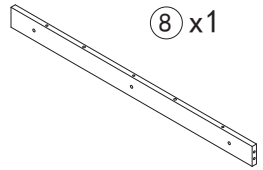
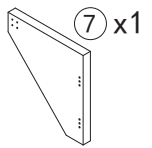
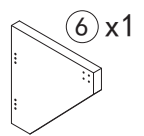
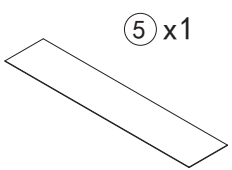
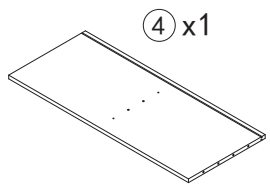
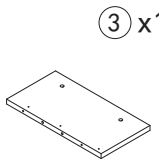
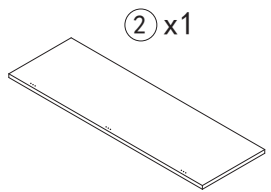
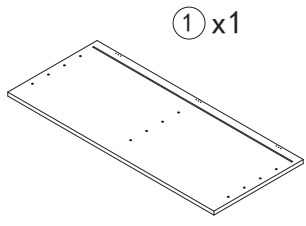
You should feel a click when the camlock is locked in place.



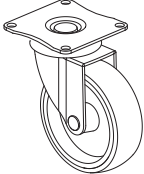
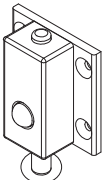

The joint is now secure.

4

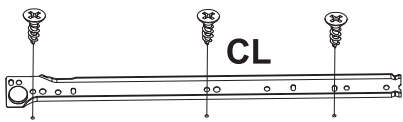
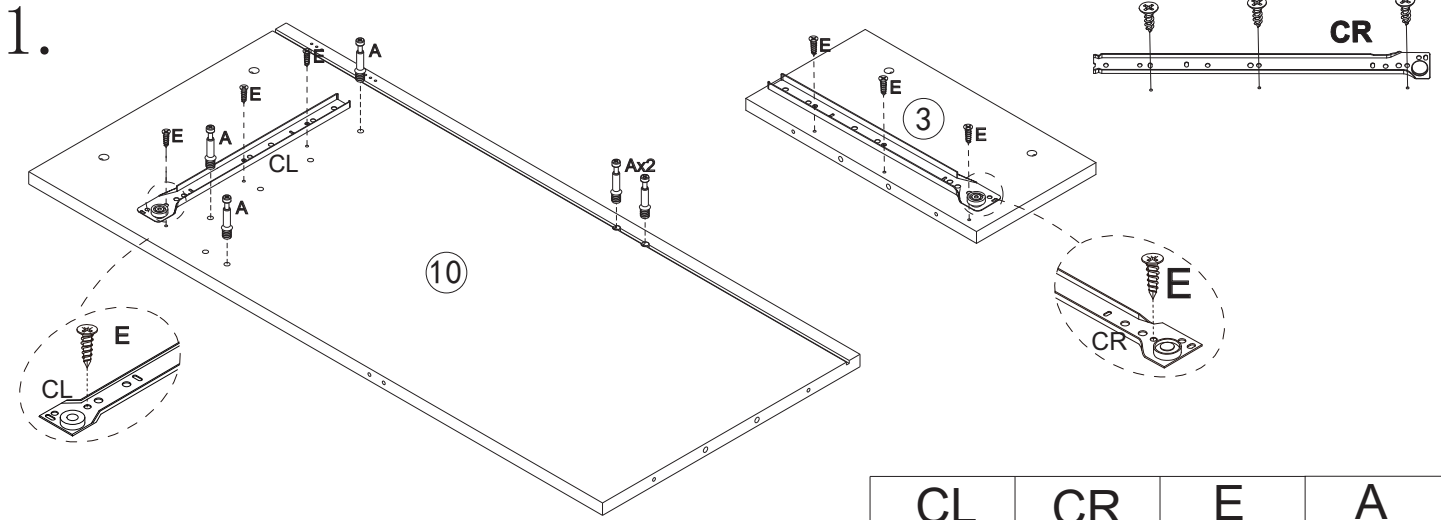
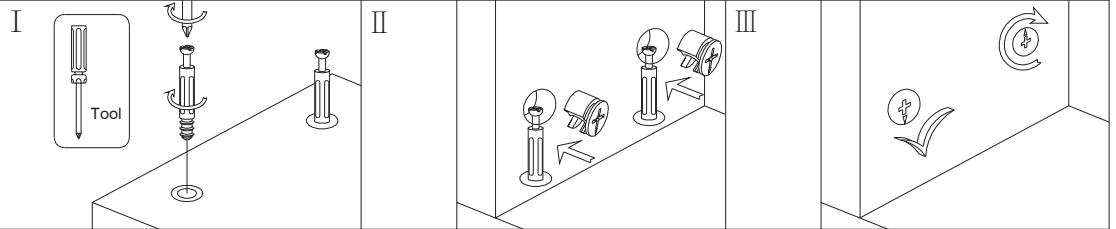




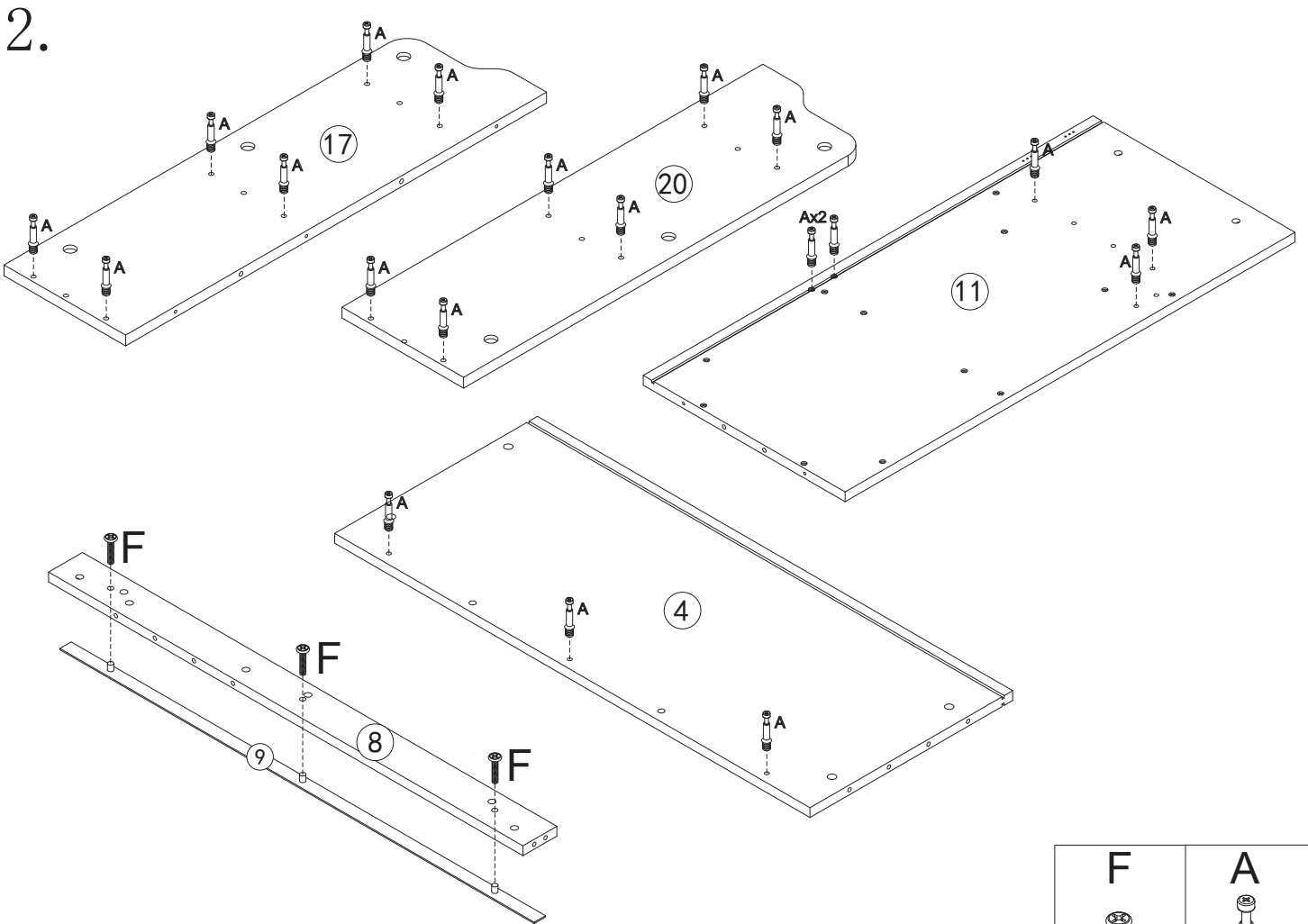


<p><b>A</b> M6*35mm</p>  <p>35+3pcs</p>	<p><b>B</b> <math>\Phi 15*10\text{mm}</math></p>  <p>37+3pcs</p>	<p><b>C</b> <math>\Phi 8*30\text{mm}</math></p>  <p>35+3pcs</p>	<p><b>D</b> M4*35mm</p>  <p>24+2pcs</p>
<p><b>E</b> M3.5*12mm</p>  <p>82+4pcs</p>	<p><b>F</b> M6*25mm</p>  <p>3pcs</p>	<p><b>G</b></p>  <p>2pcs</p>	<p><b>H</b> M6*55mm</p>  <p>2pcs</p>
<p><b>I</b></p>  <p>2pcs</p>	<p><b>J</b> 4*22mm</p>  <p>1pc</p>	<p><b>K</b> 4*12mm</p>  <p>4pcs</p>	<p><b>L</b></p>  <p>8sets</p>
<p><b>M</b></p>  <p>7pcs</p>	<p><b>N</b></p>  <p>1pc</p>	<p><b>O</b></p>  <p>2pcs</p>	<p><b>P</b></p>  <p>2pcs</p>
<p><b>Q</b></p>  <p>2pcs</p>	<p><b>R</b> <math>\Phi 8*40\text{mm}</math></p>  <p>2pcs</p>	<p><b>CL</b> 300mm</p>  <p>1pc</p>	<p><b>CR</b> 300mm</p>  <p>1pc</p>
<p><b>DL</b> 300mm</p>  <p>1pc</p>	<p><b>DR</b> 300mm</p>  <p>1pc</p>		

"B" Hardware installation example

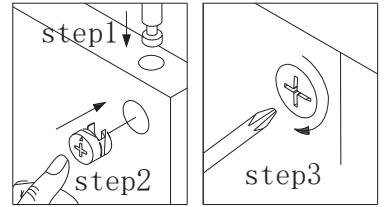
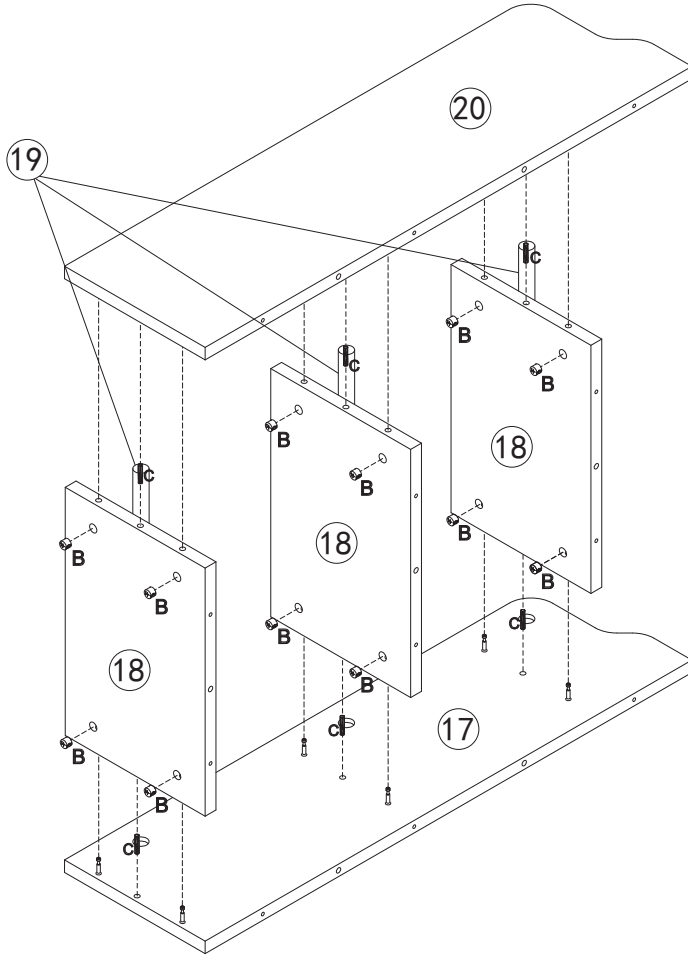




<b>CL</b>  1PC	<b>CR</b>  1PC	<b>E</b>  6PCS	<b>A</b>  5PCS
----------------------	----------------------	----------------------	----------------------



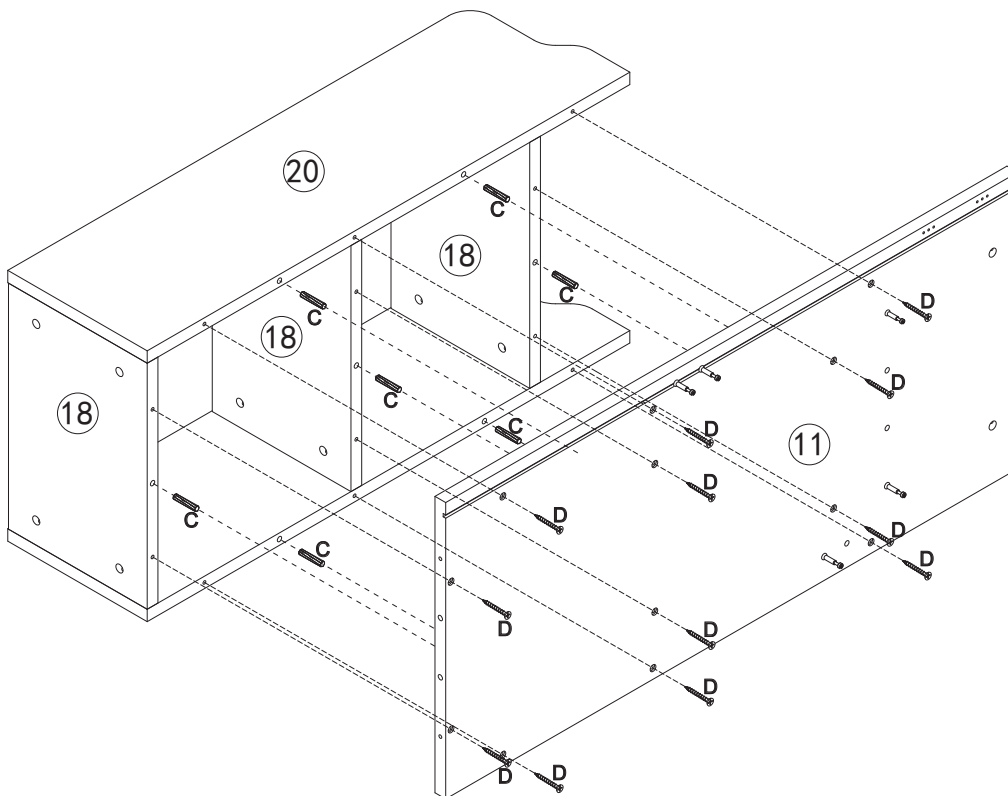
<b>F</b>  3PCS	<b>A</b>  20PCS
----------------------	-----------------------



3.



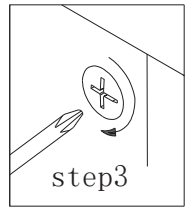
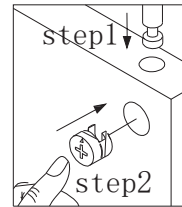
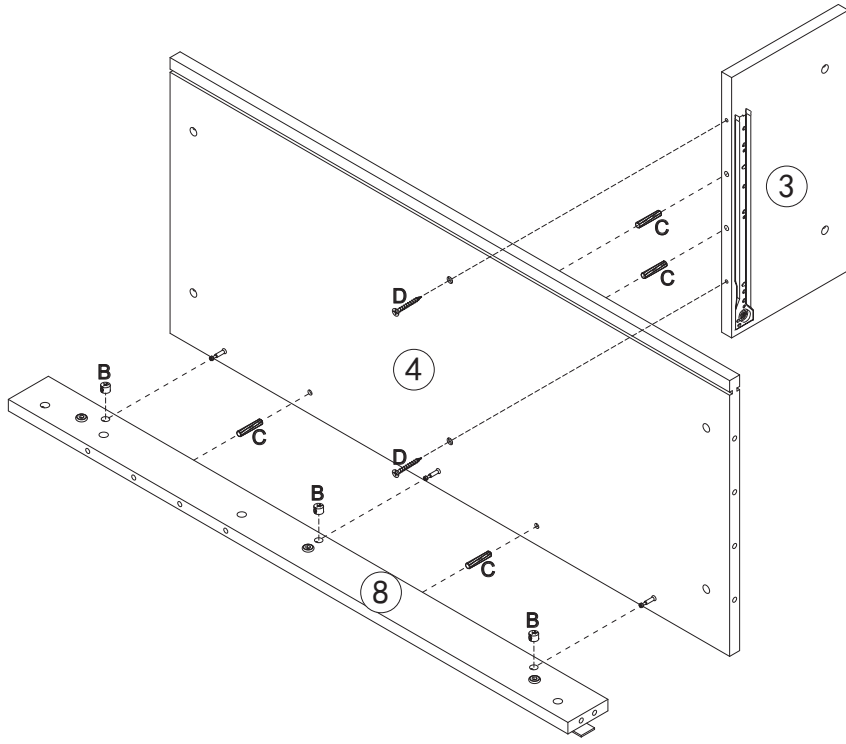
<b>C</b>  6PCS	<b>B</b>  12PCS
---	--



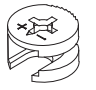
4.



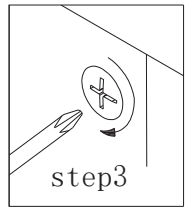
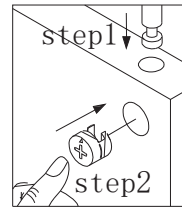
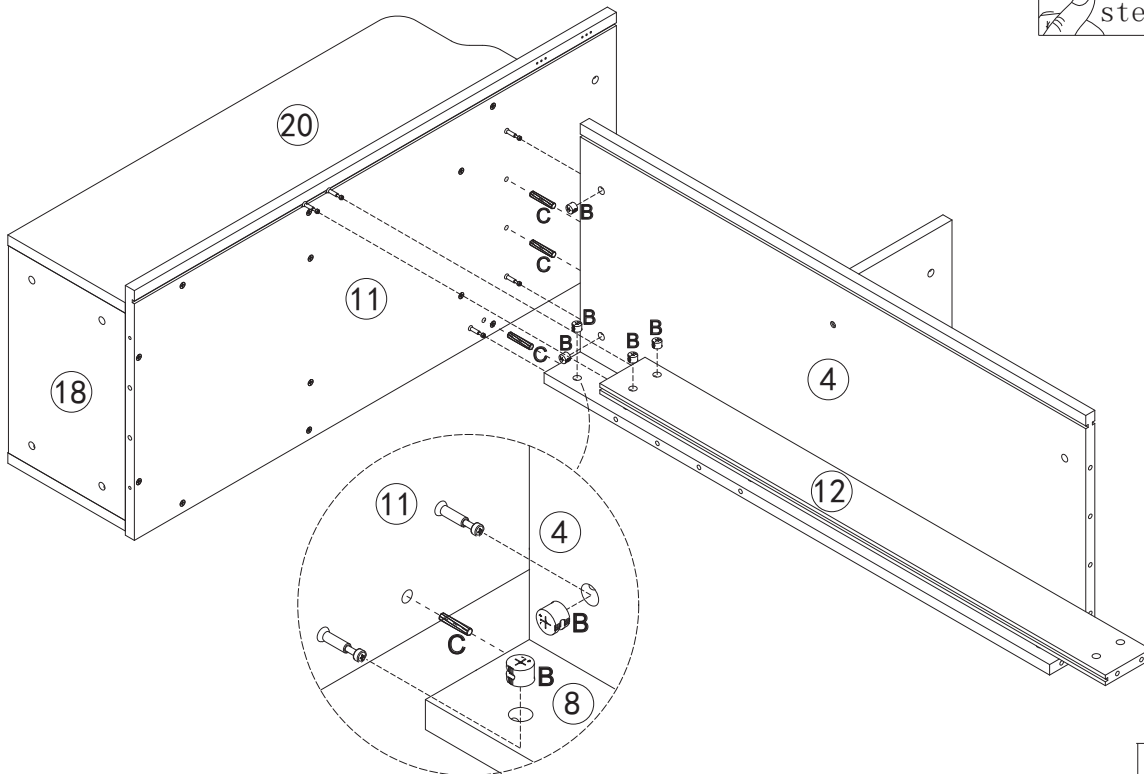
<b>D</b>  12PCS	<b>C</b>  7PCS
--	---



5.



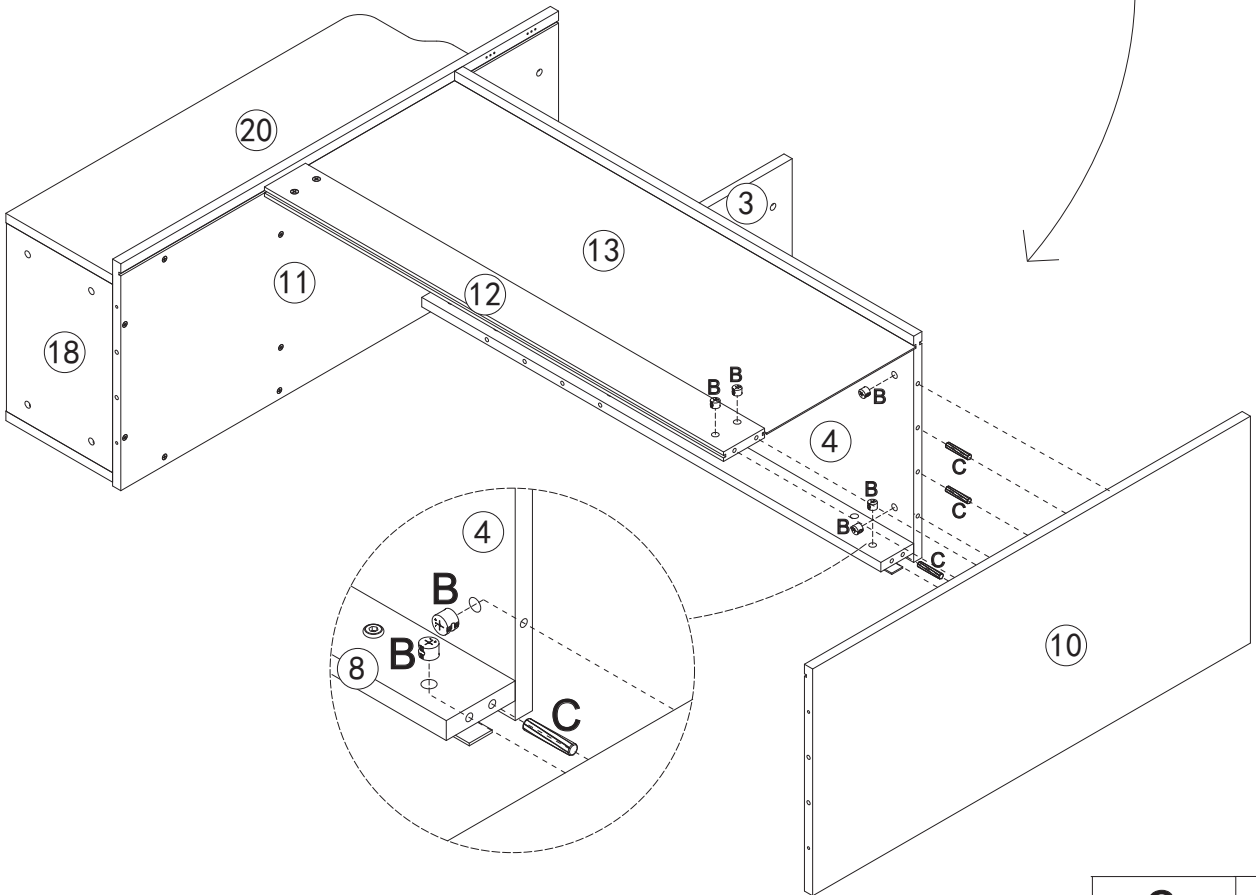
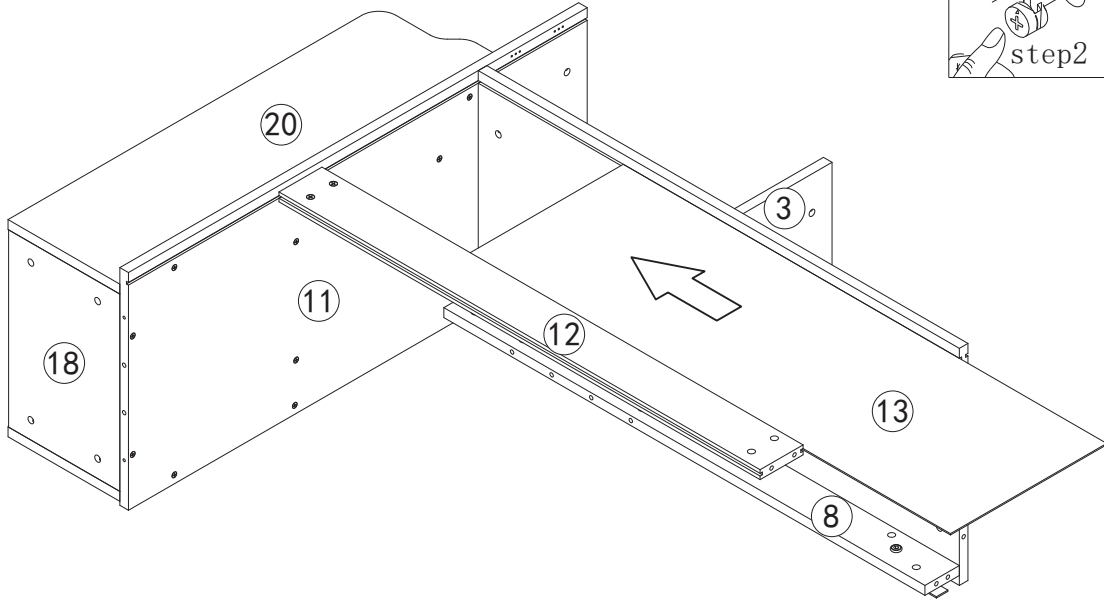
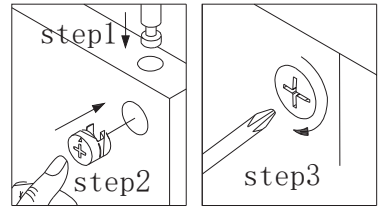
<b>D</b>	<b>C</b>	<b>B</b>
		
2PCS	4PCS	3PCS


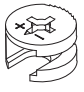
6.



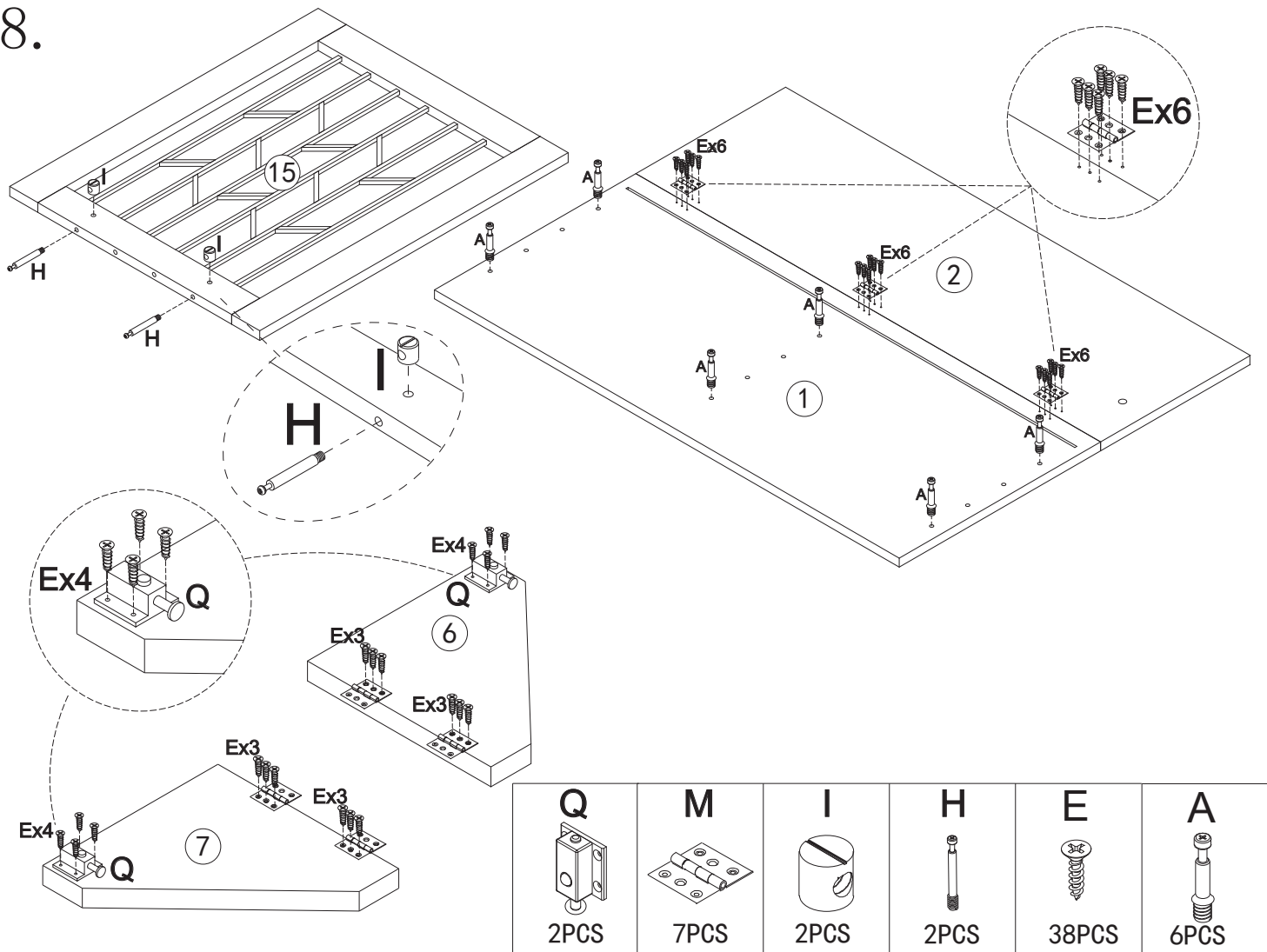
<b>C</b>	<b>B</b>
	
3PCS	5PCS

7.

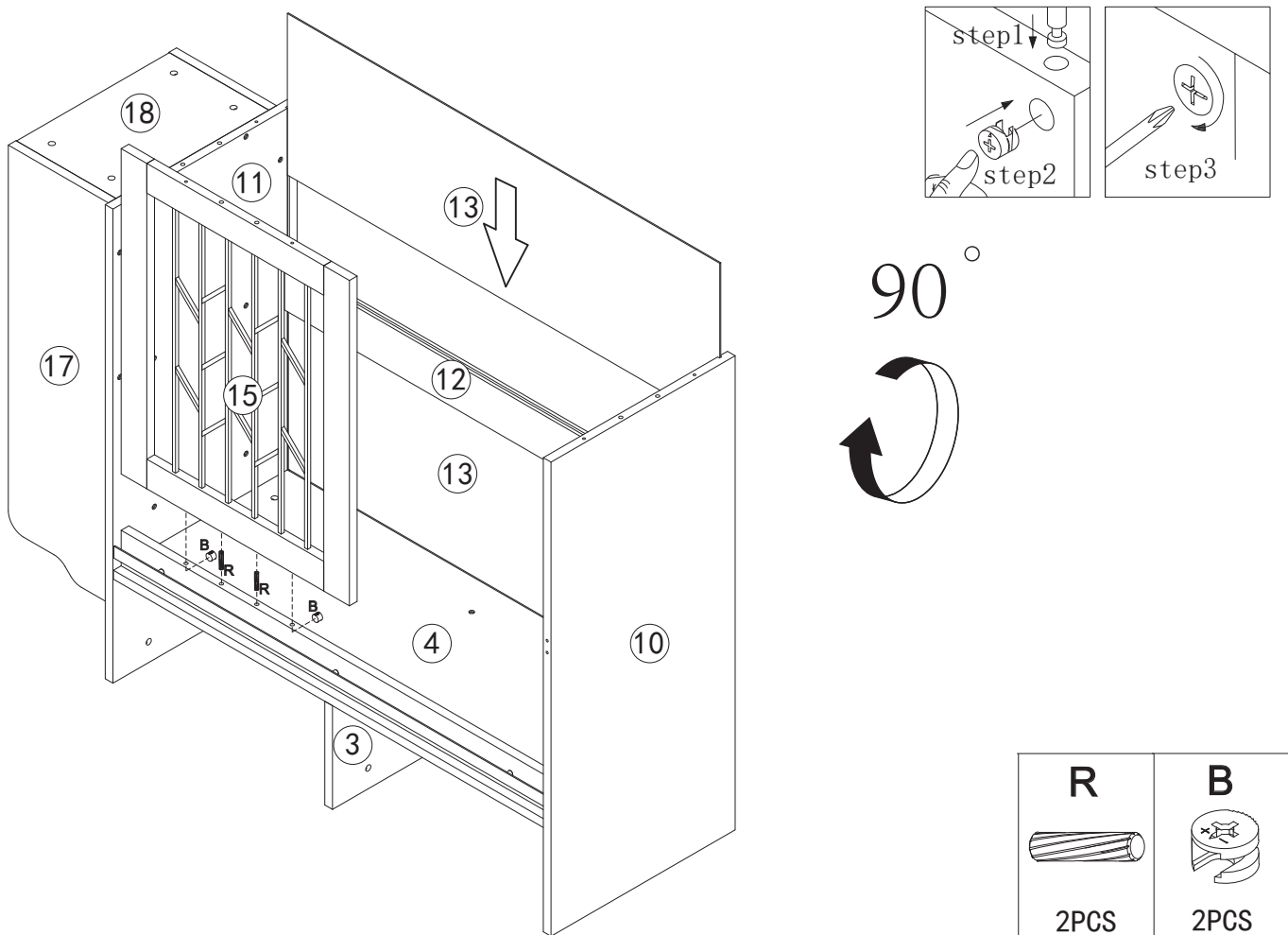


<b>C</b>  3PCS	<b>B</b>  5PCS
---	---

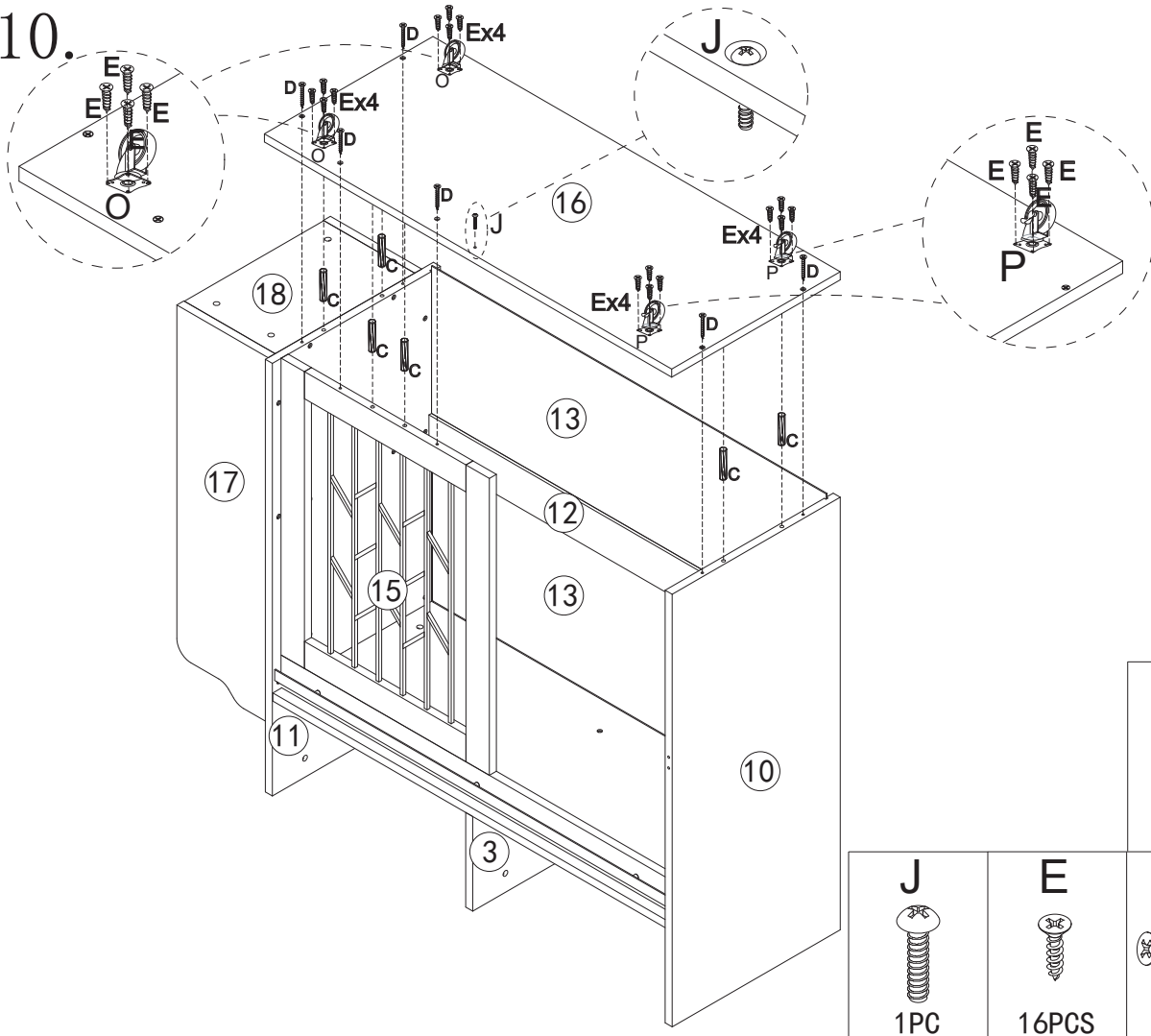
8.



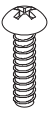





9.

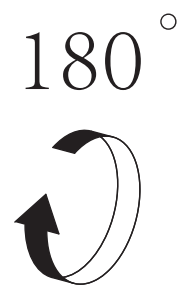
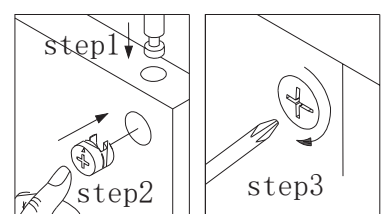
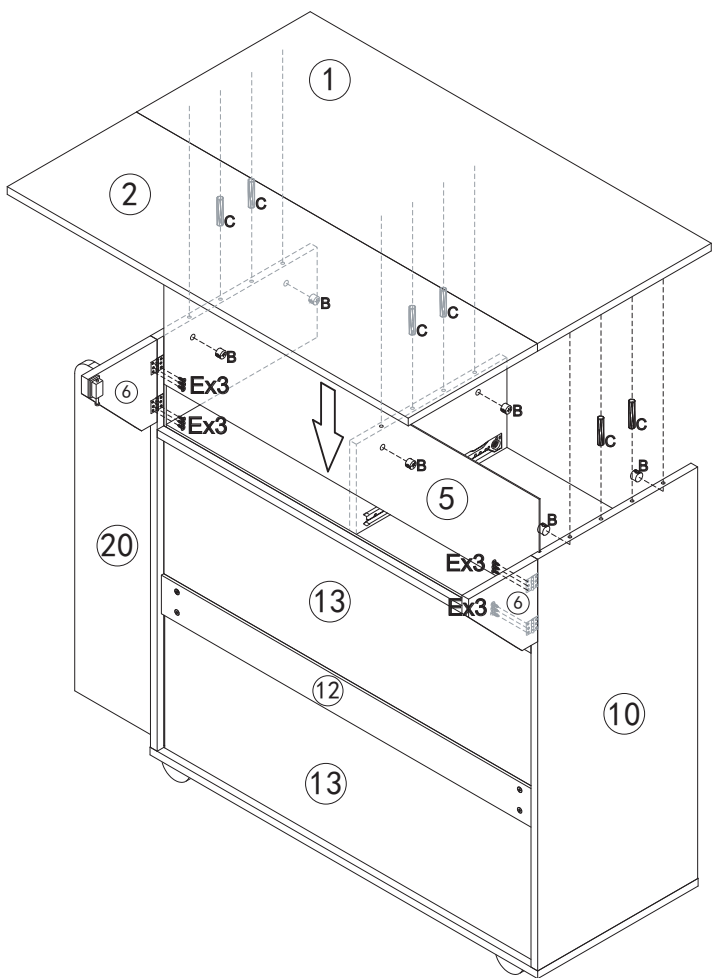





10.



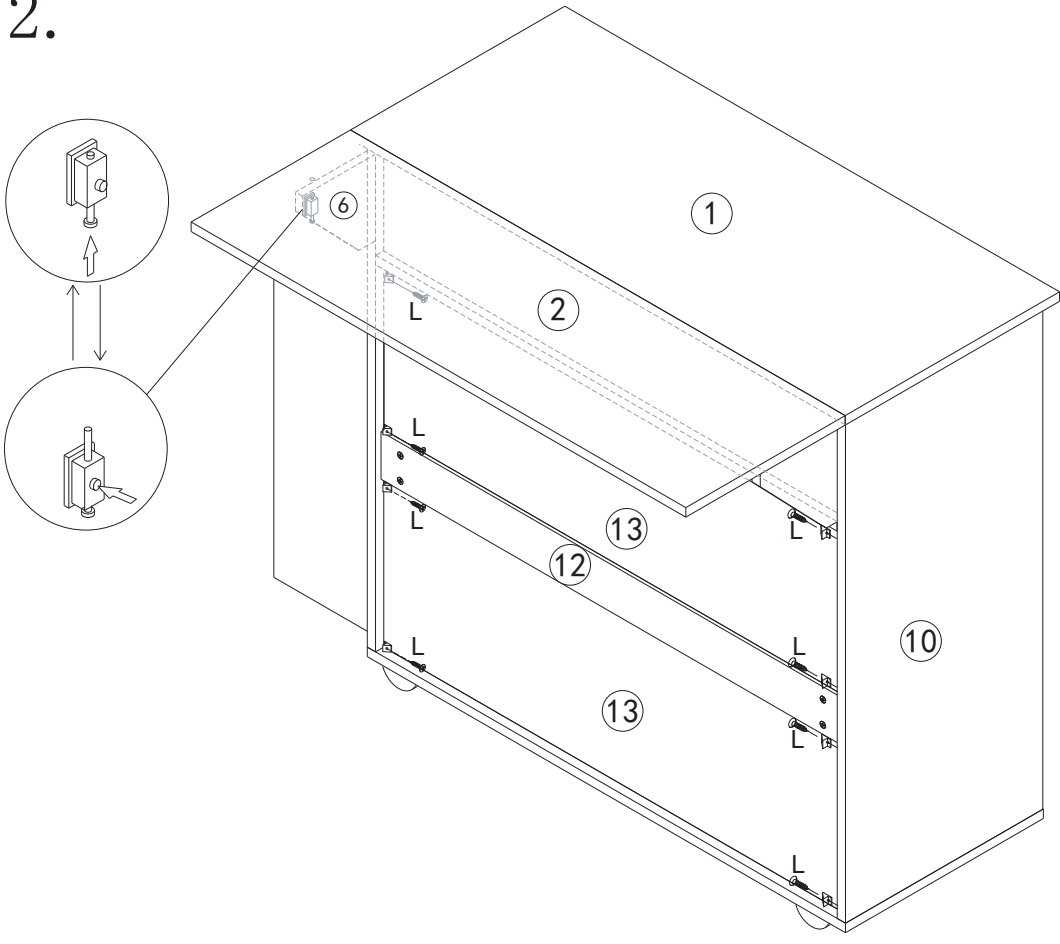
		<b>P</b>	<b>O</b>
			
		2PC	2PC
<b>J</b>	<b>E</b>	<b>D</b>	<b>C</b>
			
1PC	16PCS	6PCS	6PCS

11.



<b>E</b>	<b>B</b>	<b>C</b>
		
12PCS	6PCS	6PCS

12.

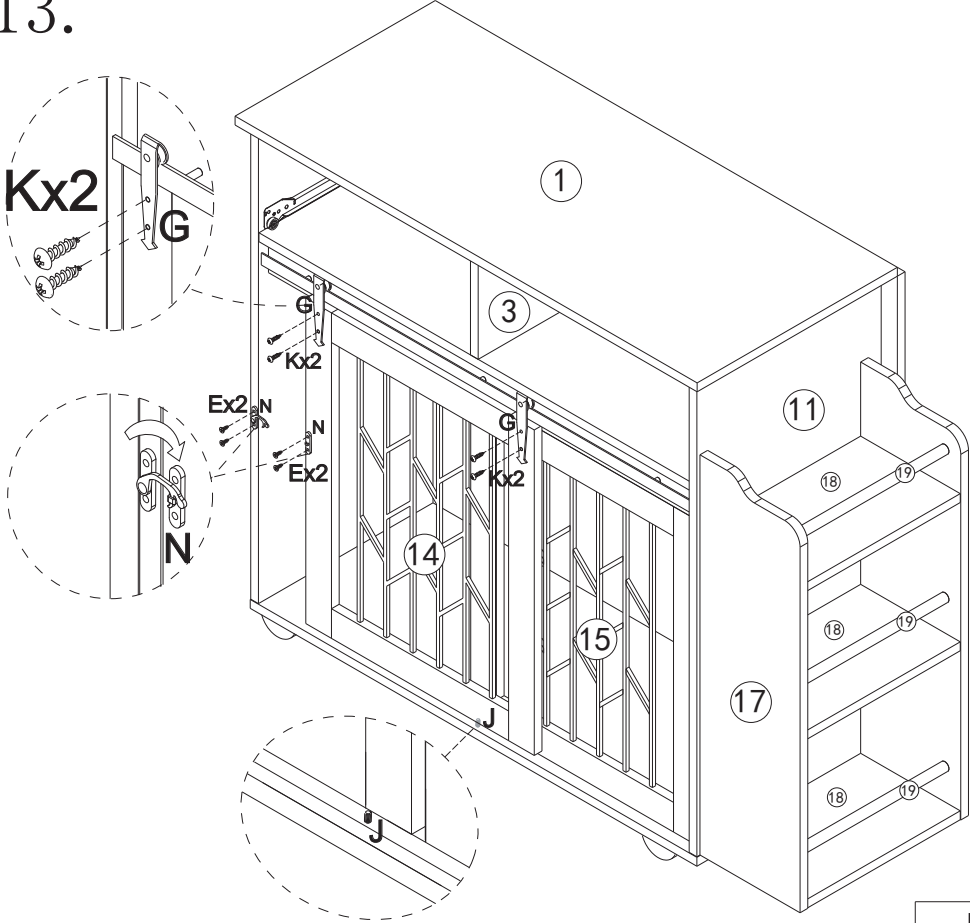


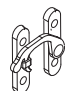



**L**



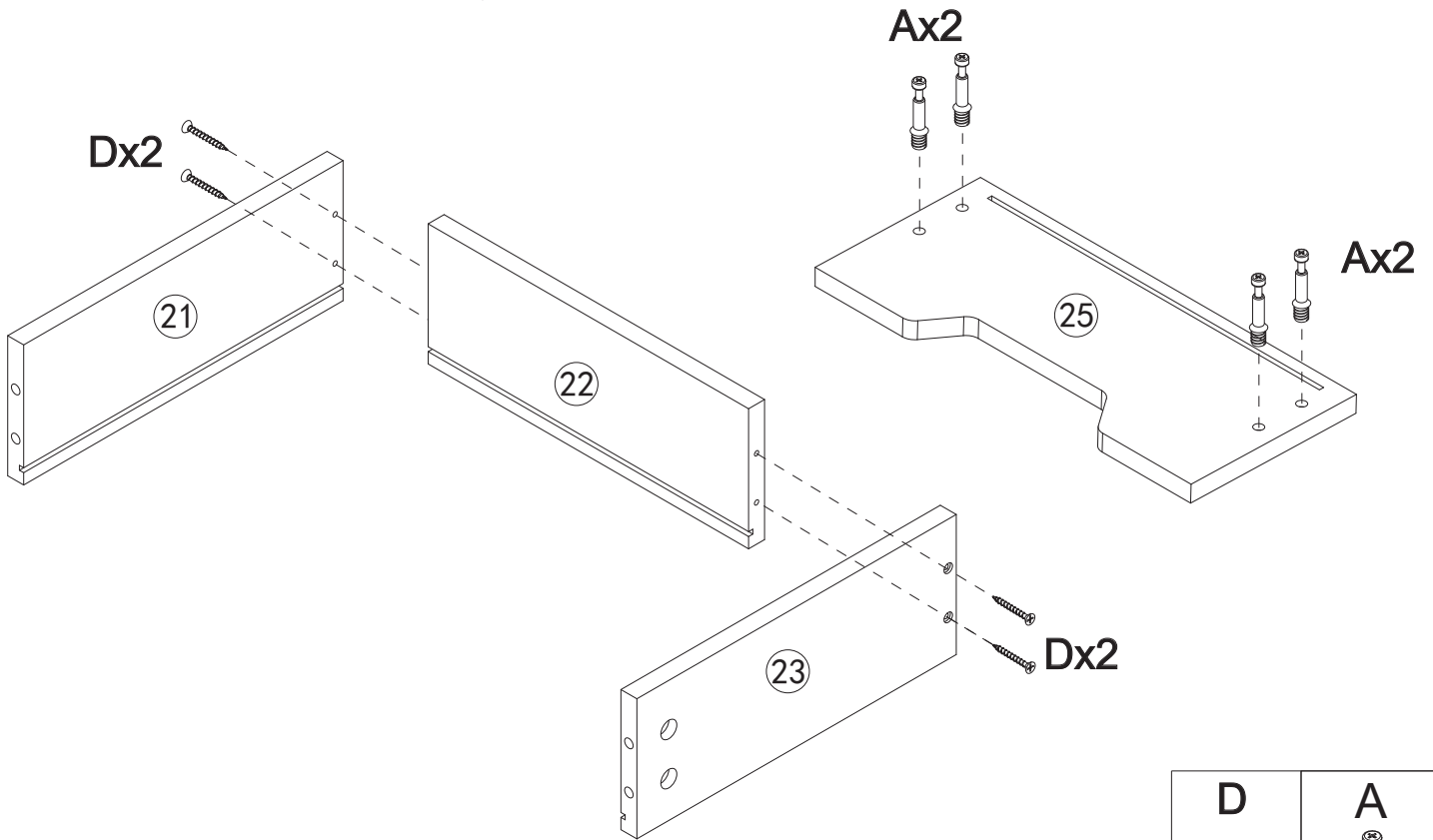
8SETS



13.



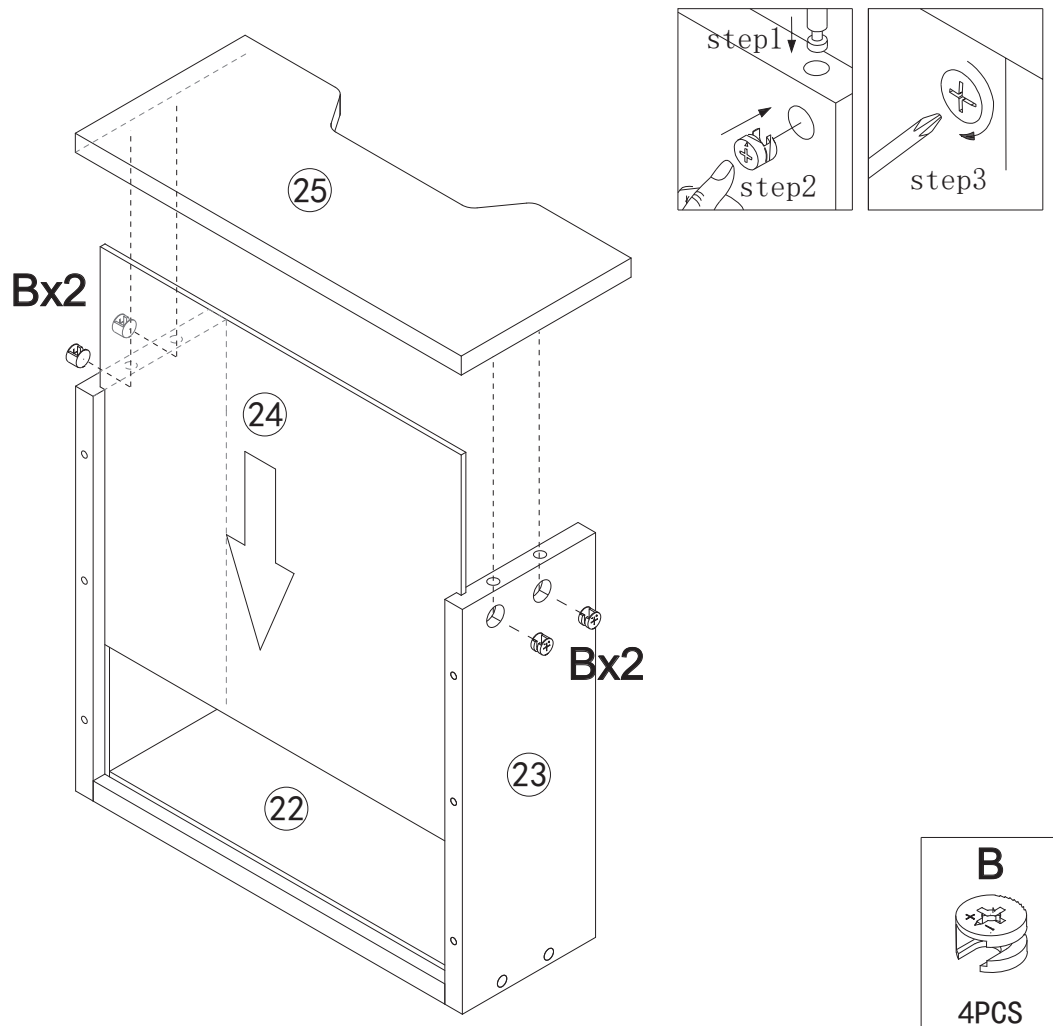
<b>N</b>	<b>K</b>	<b>G</b>	<b>E</b>
			
1PC	4PCS	2PCS	4PCS


14.



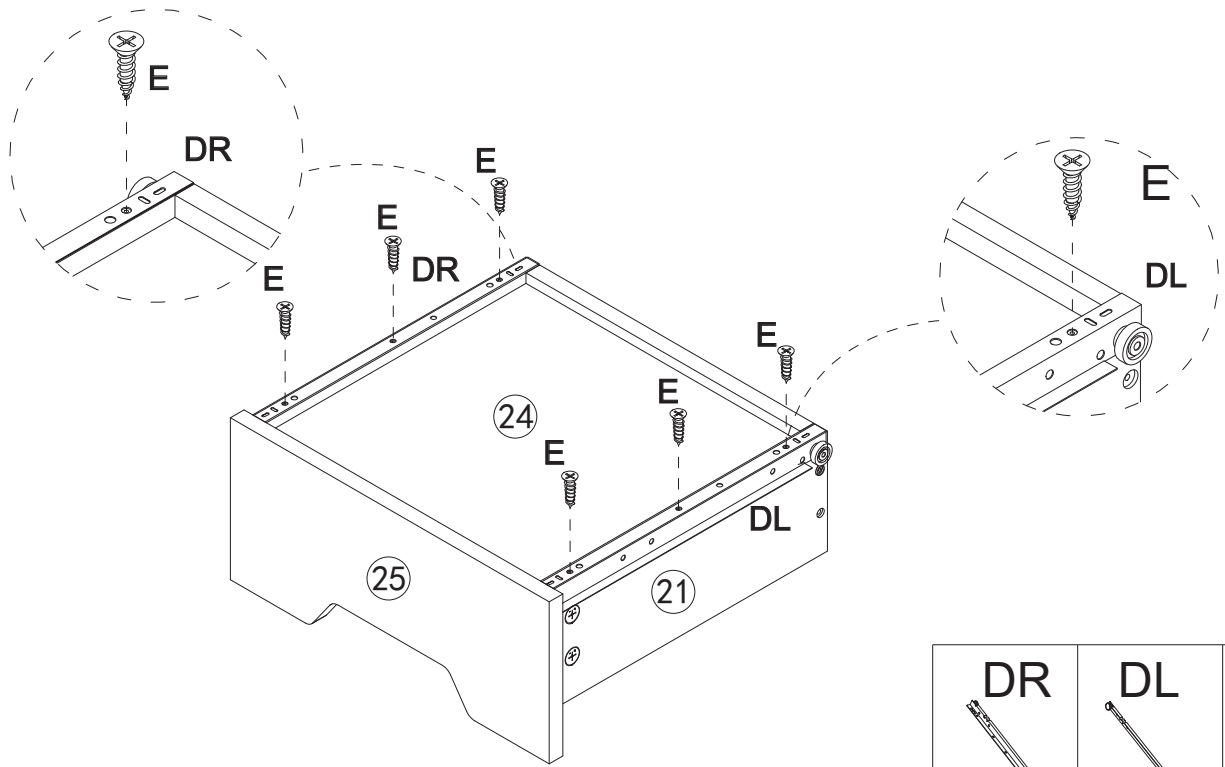
<b>D</b>  4PCS	<b>A</b>  4PCS
---	--




15.



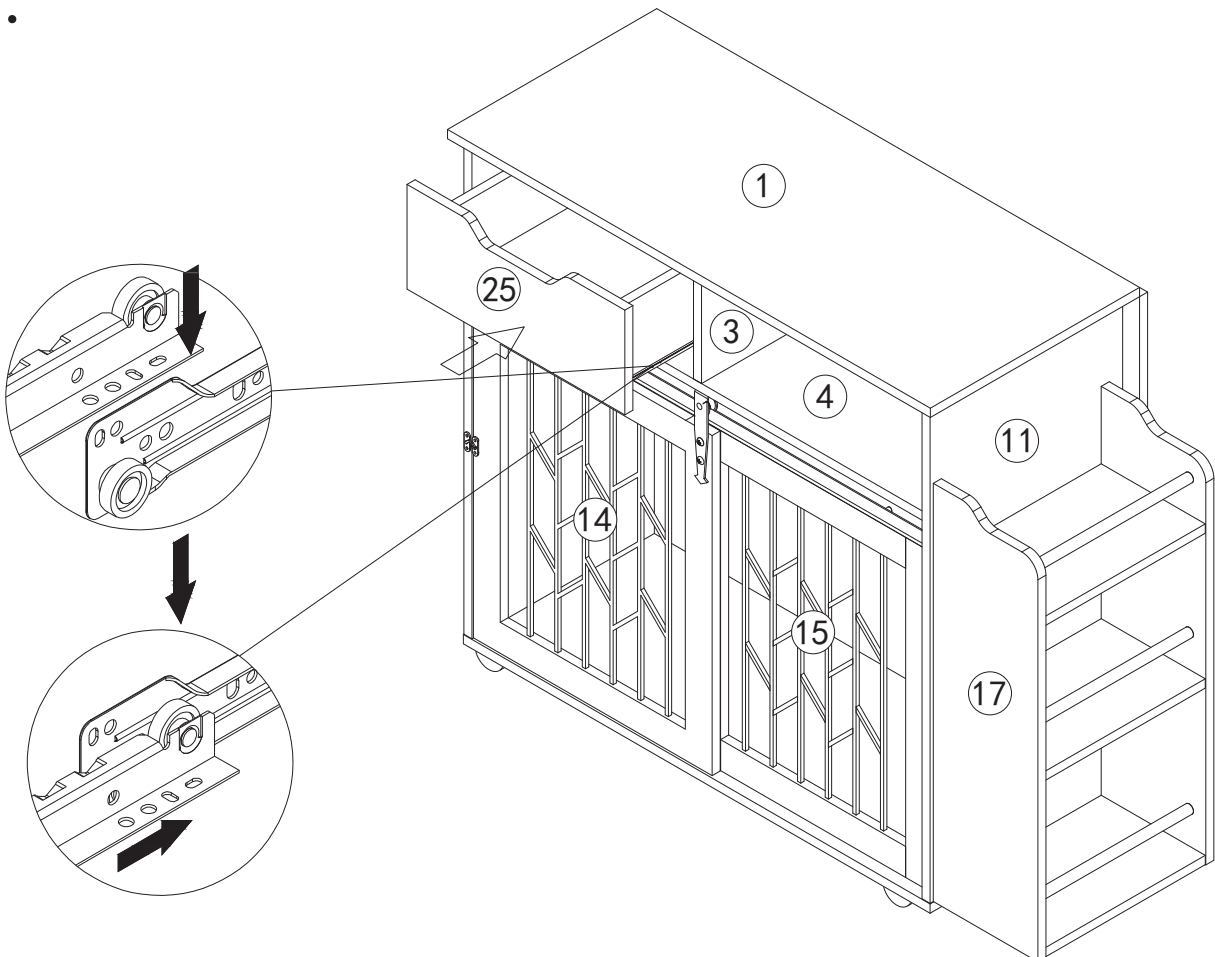
<b>B</b>  4PCS
---

16.



<b>DR</b>  1PC	<b>DL</b>  1PC	<b>E</b>  6PCS
--	--	---

17.



18.

