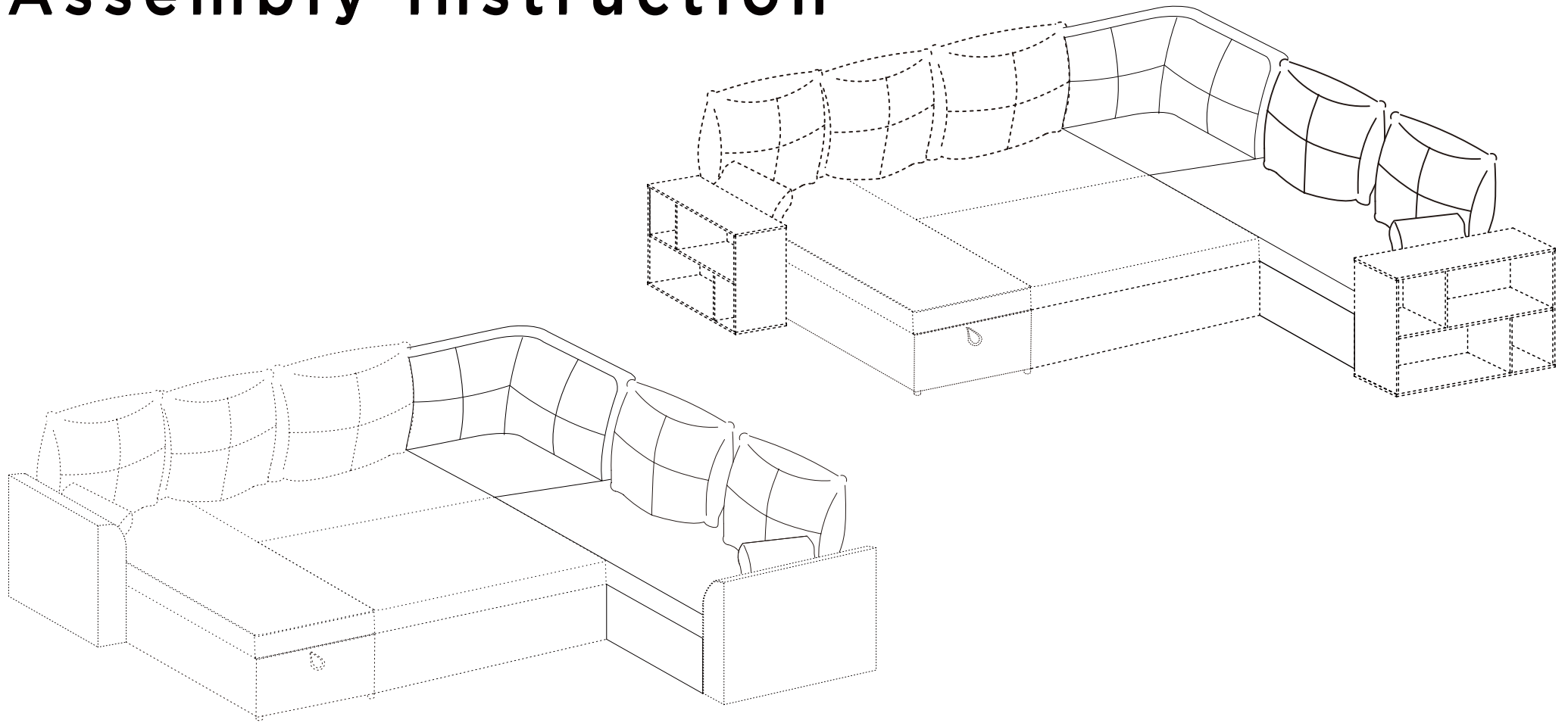


SLEEPER SOFA

Assembly Instruction



NOTE:

Delivered with TWO PACKAGES with
TWO TRACKINGS, may NOT be delivered
at the same time.



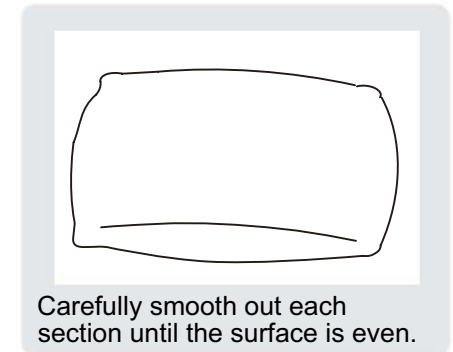
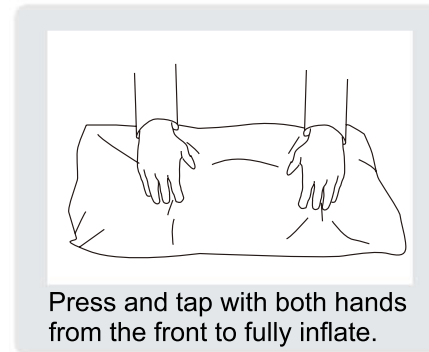
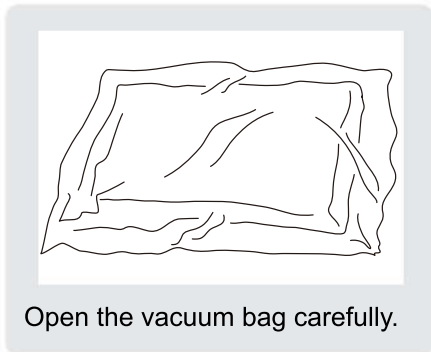
Safety and Care Advice

Important – Please read these instructions fully before starting assembly

Thanks for your purchase. Before the assembly, please follow the instruction to check if all the spare parts and screws are intact.

- Considering the size and weight of the sofa, we recommend two adults to assemble the sofa, on a carpeted or padded area, in the room that it is intended for. Approximate assembly time: 30 minutes.
- Keep all components and packaging out of reach of children or animals to avoid risk of choking or suffocation.
- Please do not throw away any of the packaging or the instruction until you have checked all the components and hardware and the furniture is fully assembled. Please ensure that the packaging is disposed of in a safe and environmentally friendly way.
- Please do not take off the cover, and do not wash.

Your cushions come vacuum packed and sealed for shipping. To restore the cushion's original shape, follow the steps below.



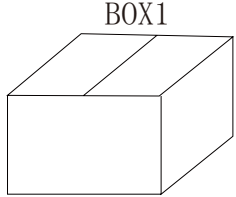
After packing up, place them in somewhere dry and ventilated. After about 72-96 hours, it can be restored to the best use condition.

Seller's Notice:

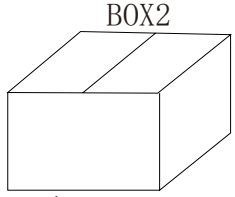
Our product is packed in separate boxes as shown below, and they might be shipped in different batches. Please wait until you received all the boxes then start the assembly.

Noted: Assembly instruction is only provided in Box1.

The following is the list of components contained in each box.

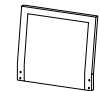
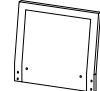
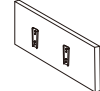
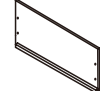
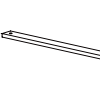

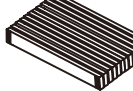
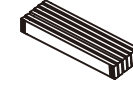



BOX1



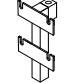
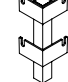



BOX2

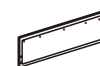

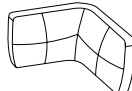



Main structure accessories

E-1		Corner-seat Back Frame X1
E-2		Corner-seat Back Frame X1
E-3		Corner-seat Side Bezel X1
E-5		Two-seat Side Bezel X1
E-8		Iron Pipe X1
E-9		Corner-seat Iron Pipe X2
E-10		Two-seat Wooden Strips X1
E-11		Corner-seat Wooden Strips X1
D-2		Pillow X2

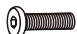




Structure accessories

D-4		Sofa leg X2
D-5		Connector Lx2 Rx1
D-9		Connector X2
D-10		Connector X1
D-11		Connector X2

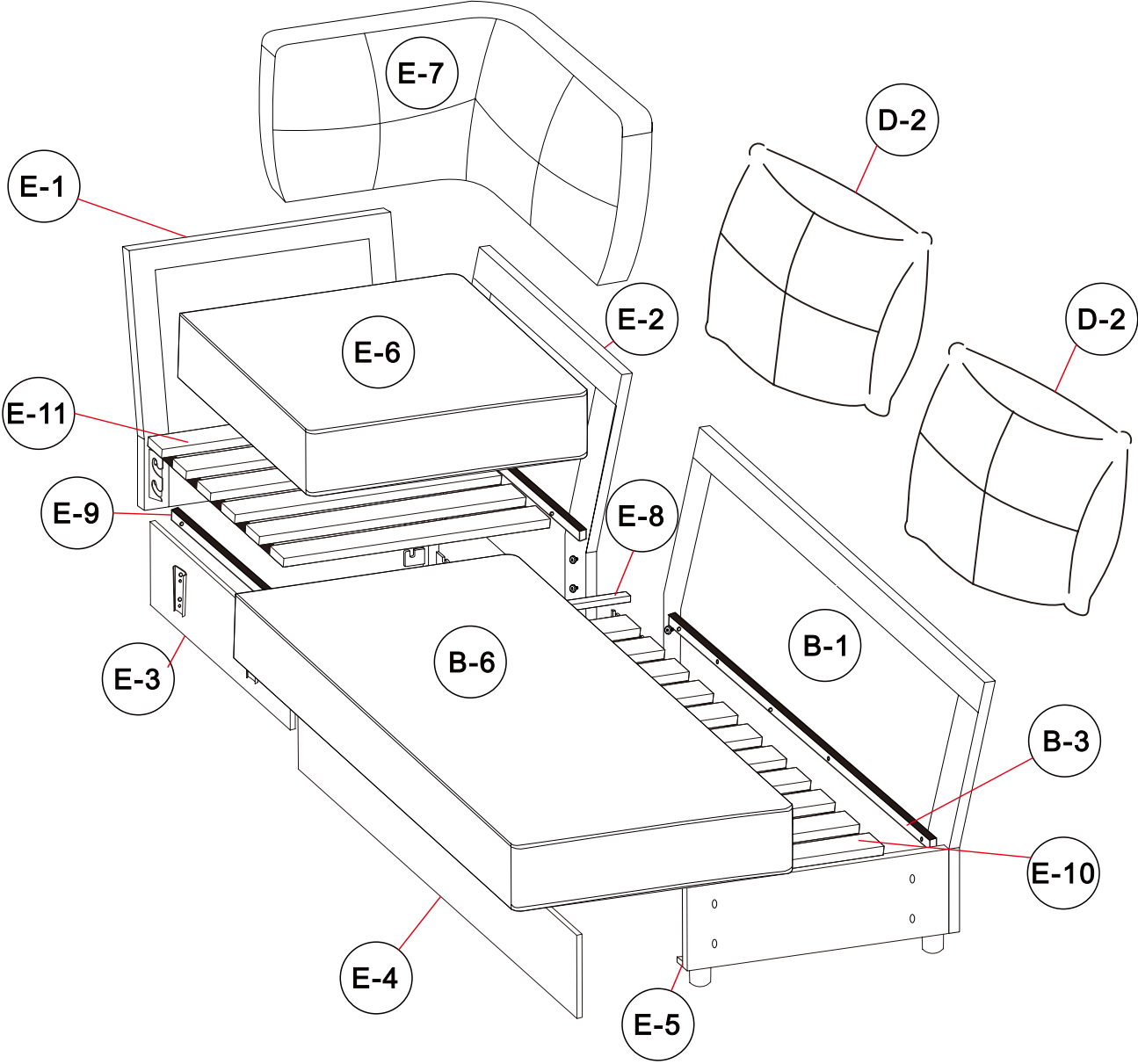
Main structure accessories

E-4		Two-seat Front Bezel X1
E-6		Corner-seat Cushion X1
E-7		Corner-seat Pillow X1
B-1		Two-seat Back Frame X1
B-3		Two-seat Iron Pipe X2
B-6		Two-seat Cushion X1

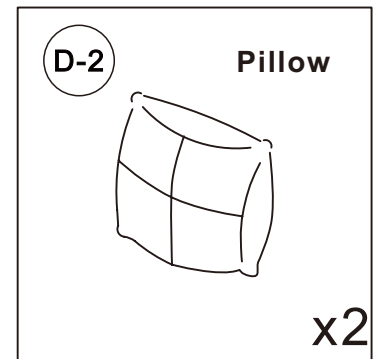
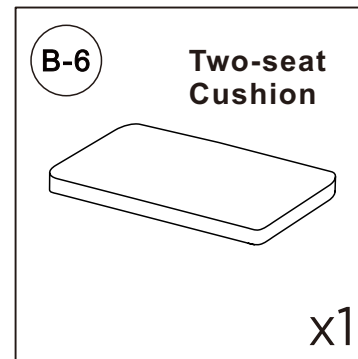
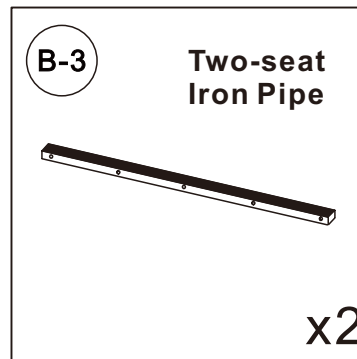
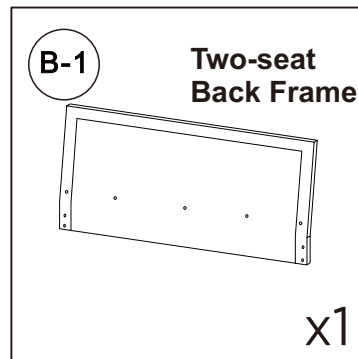
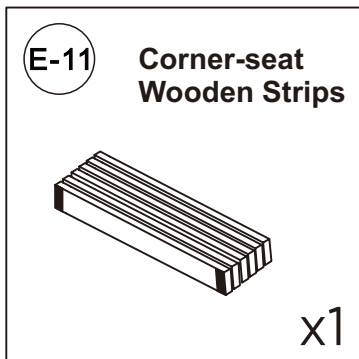
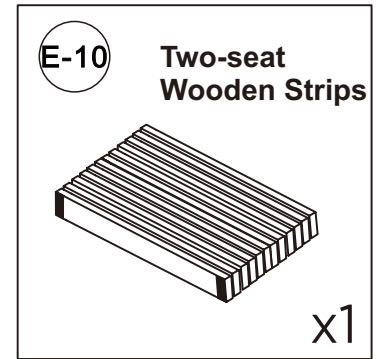
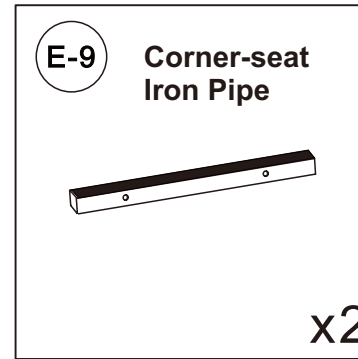
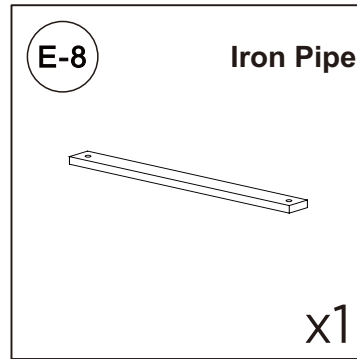
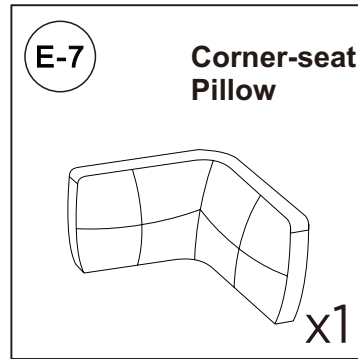
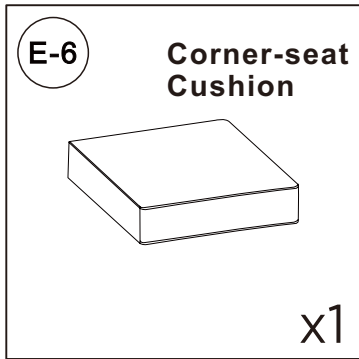
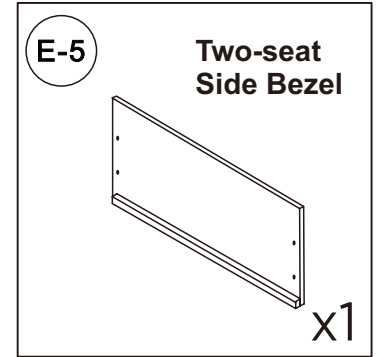
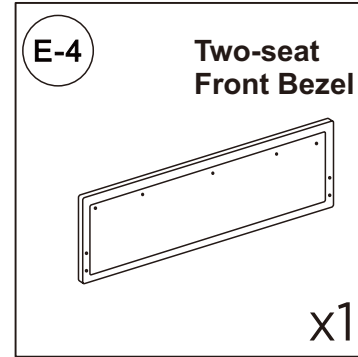
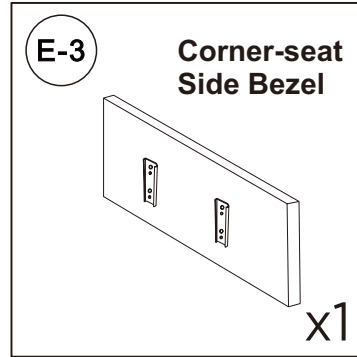
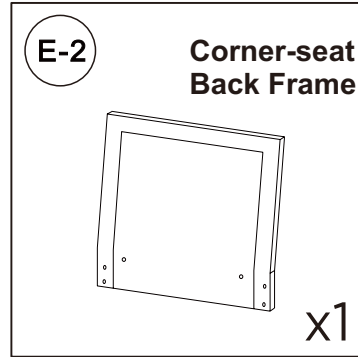
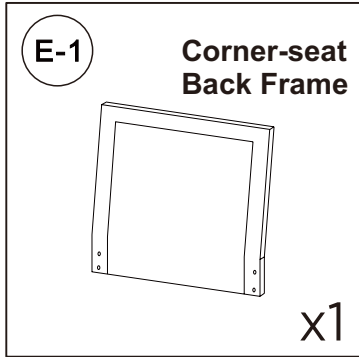
Hardware parts

e		M6*40 Bolt X14
d		Washer X2
g		M6 Allen Key X1
k		M6*20 Bolt X16
n		M8*35 Bolt X2

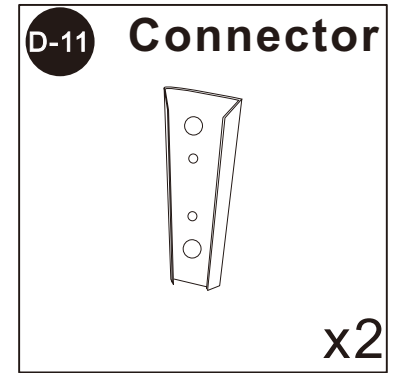
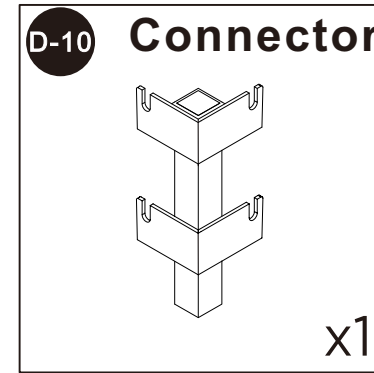
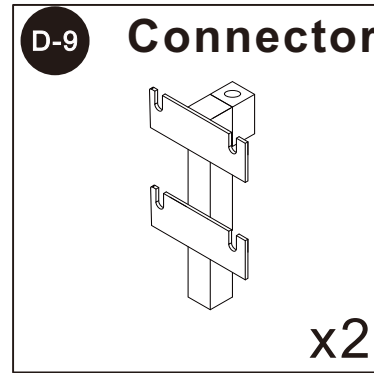
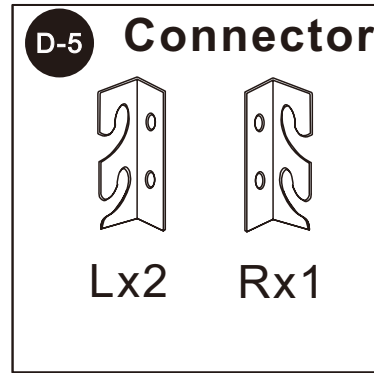
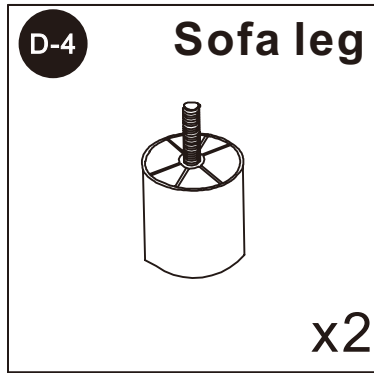
Corner-seat + Two-seat



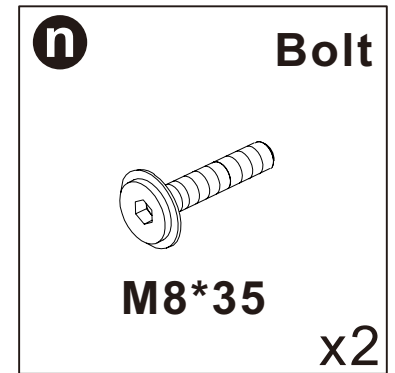
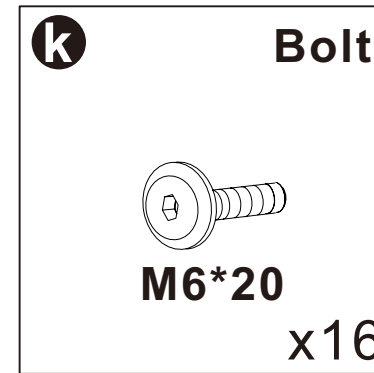
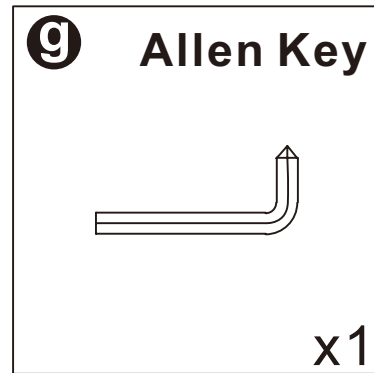
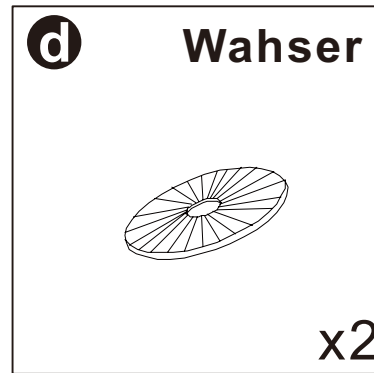
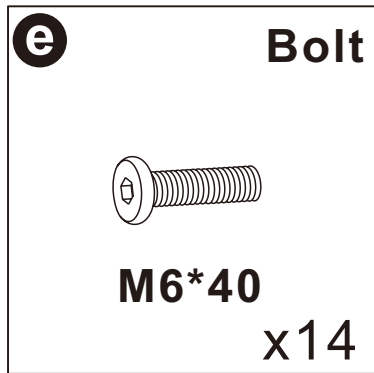
Main structure accessories



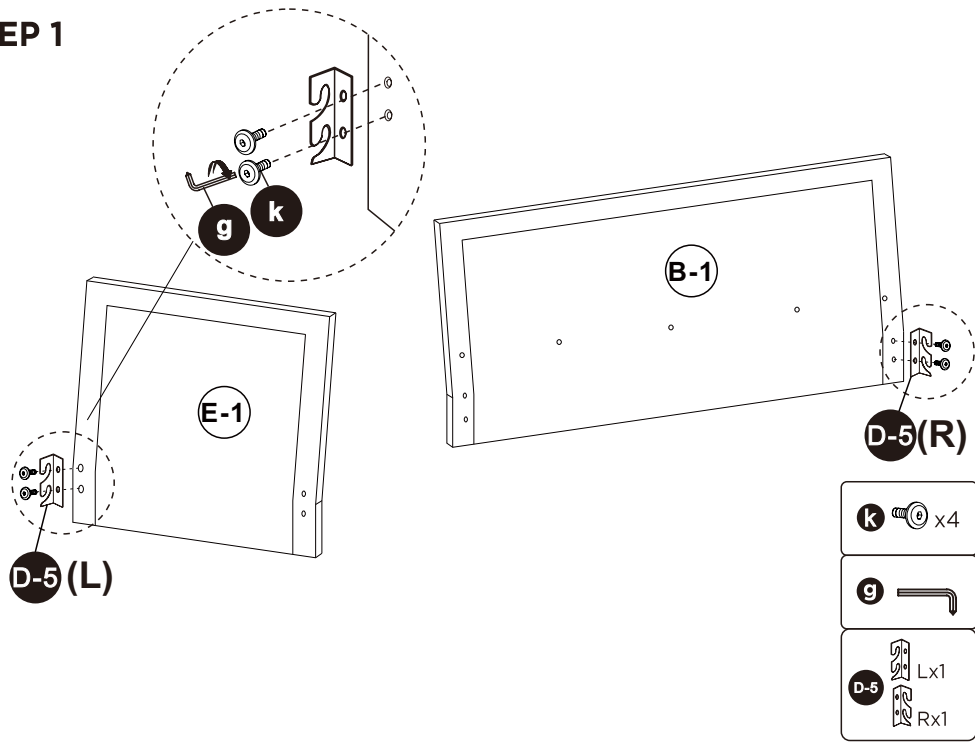
Structural accessories



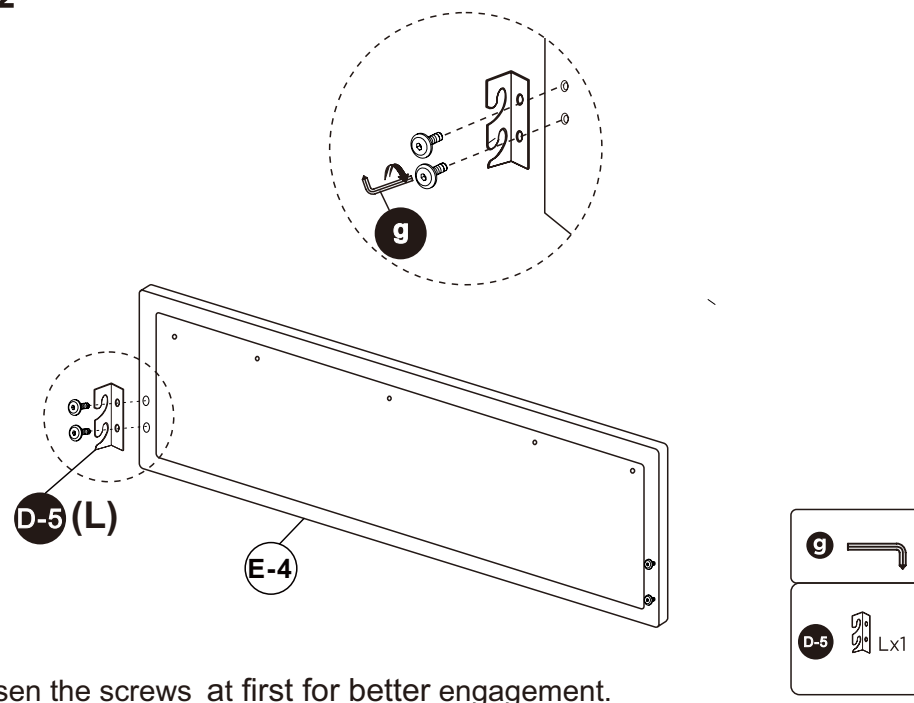
Hardware parts



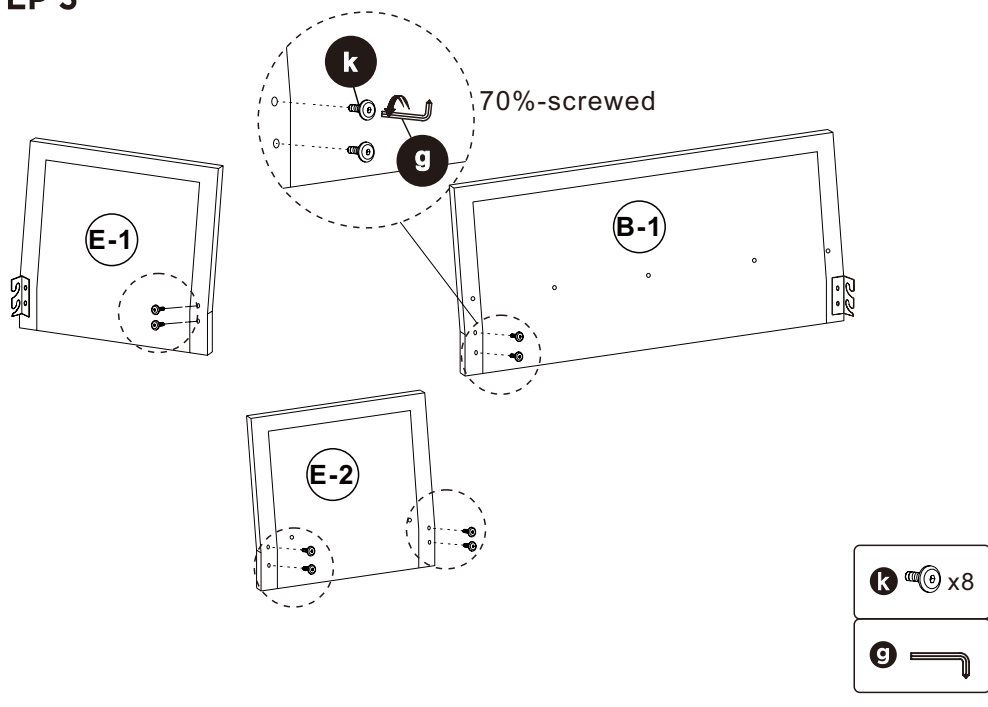
STEP 1



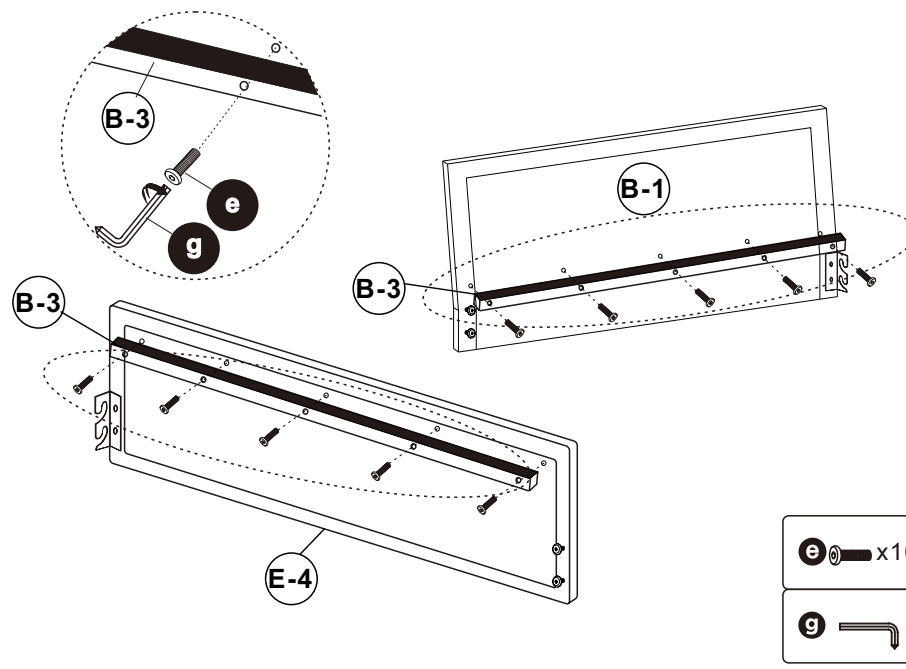
STEP 2



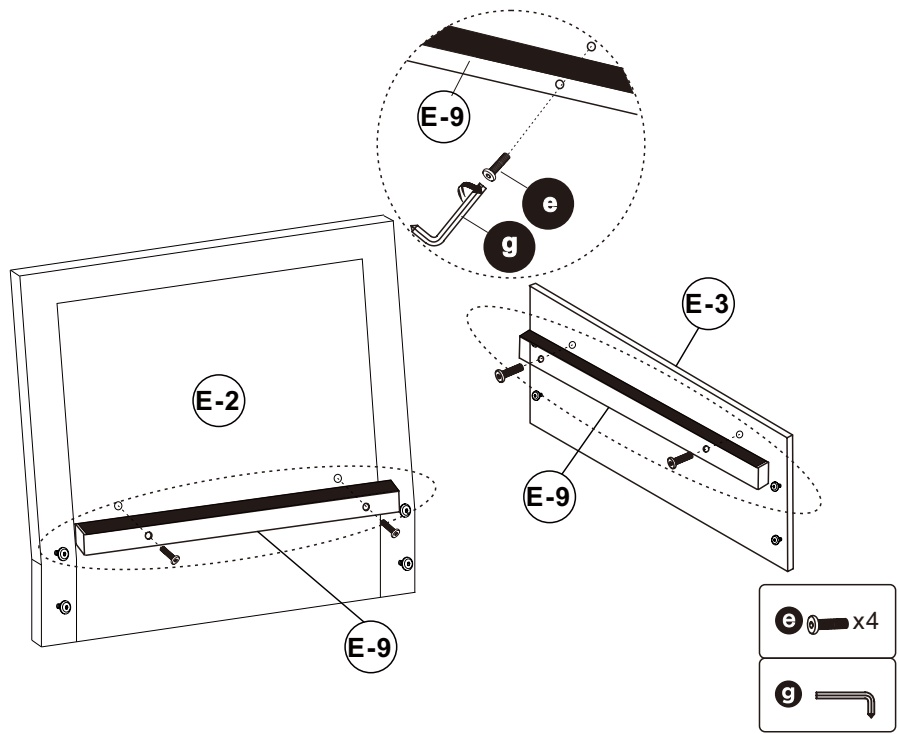
STEP 3



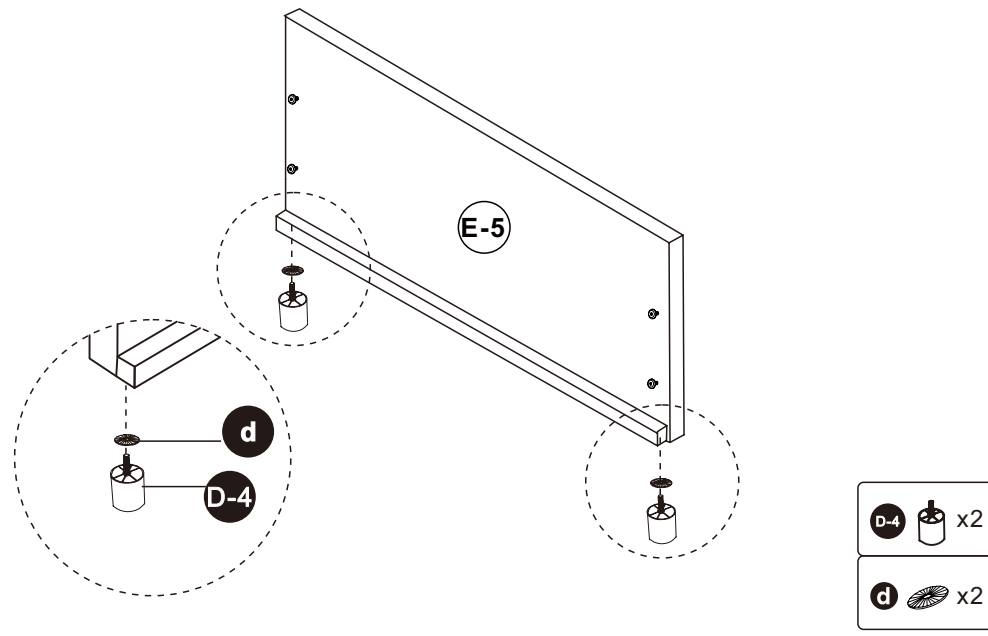
STEP 4



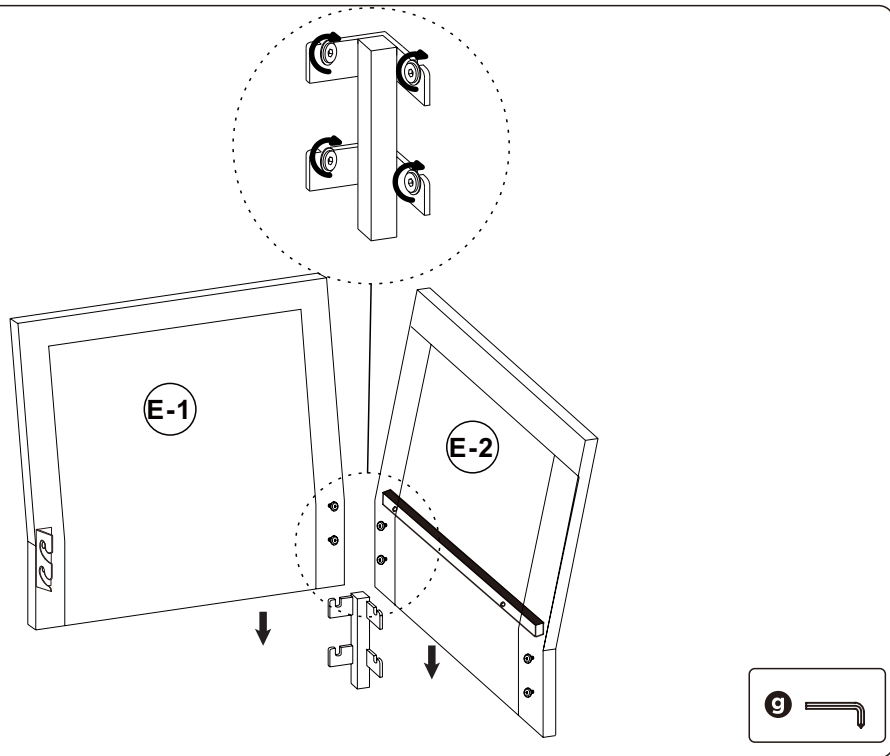
STEP 5



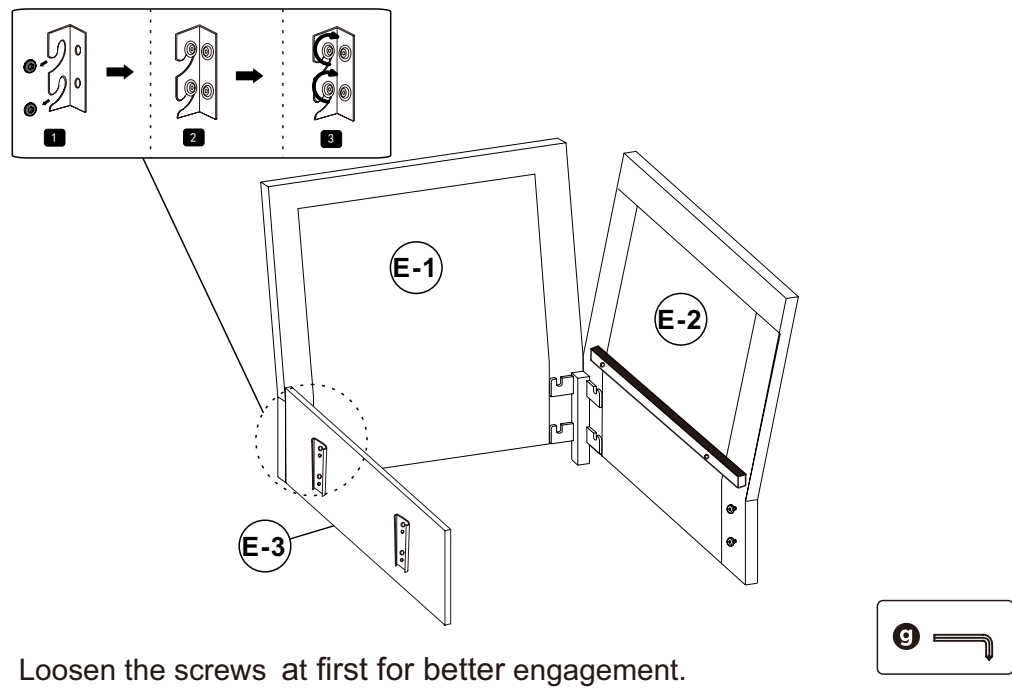
STEP 6



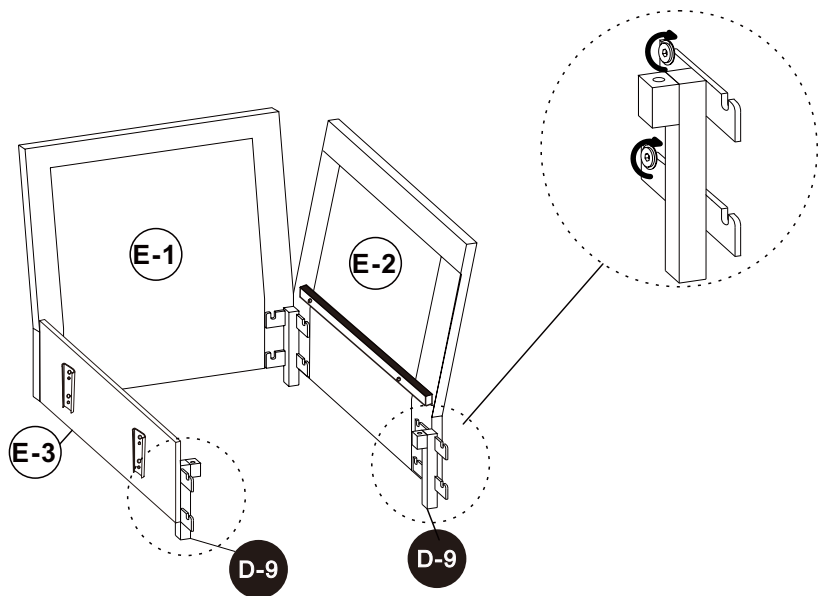
STEP 7



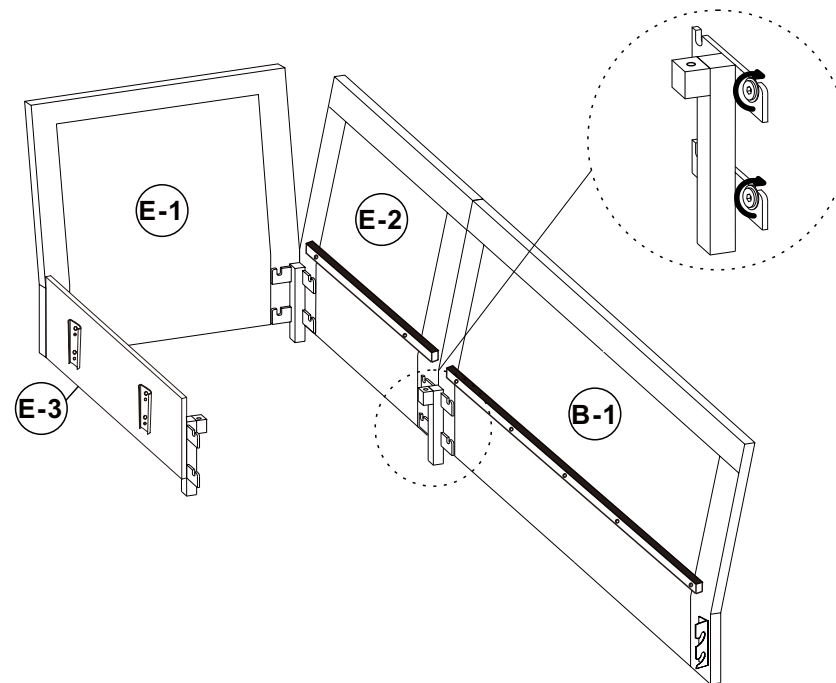
STEP 8



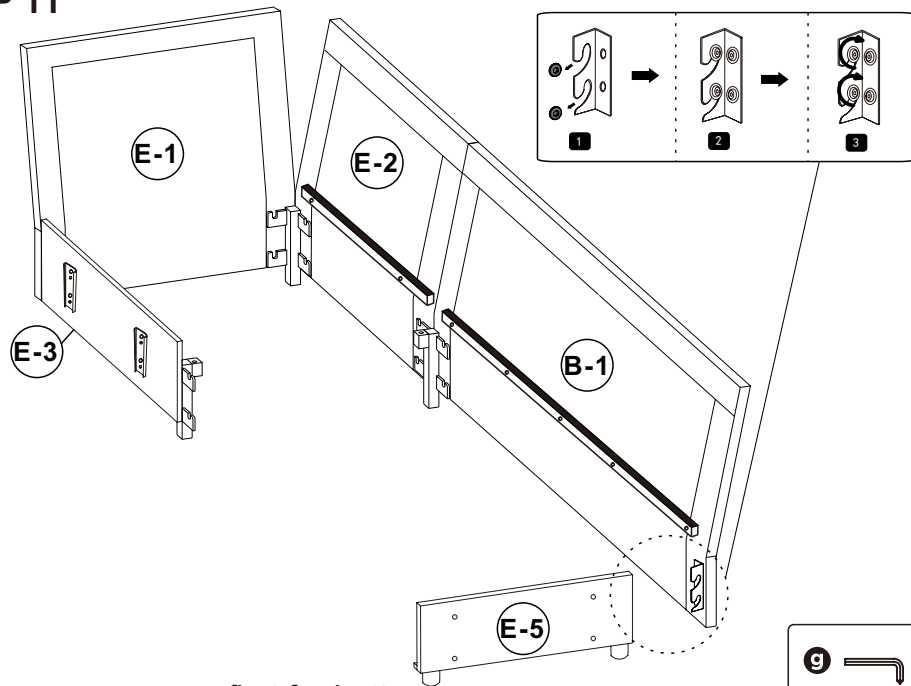
STEP 9



STEP 10

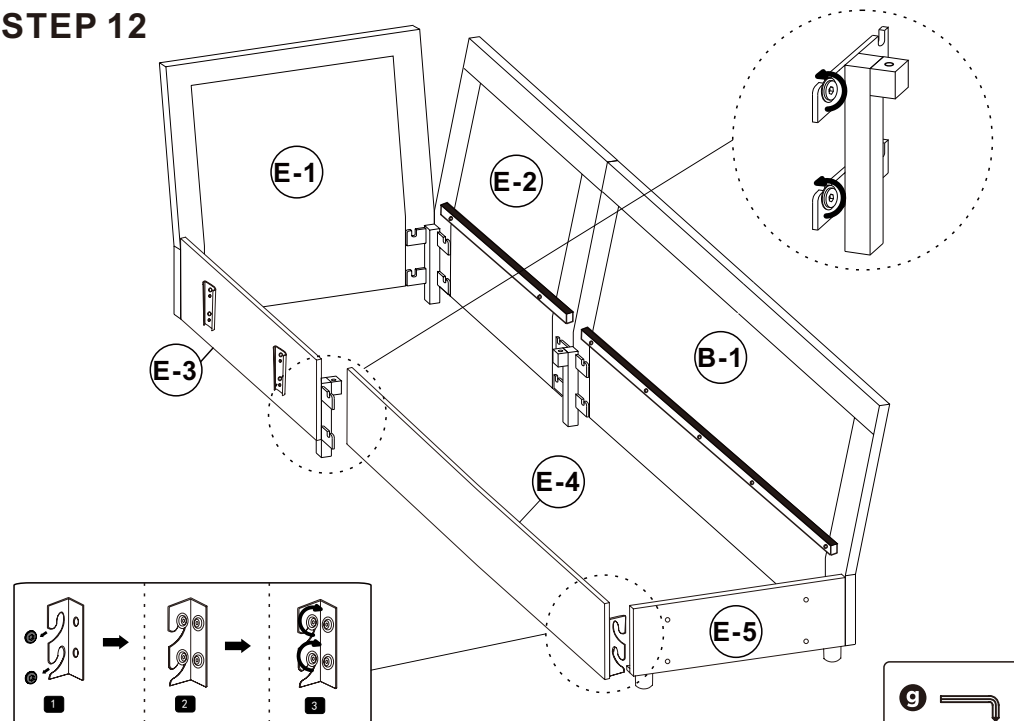


STEP 11

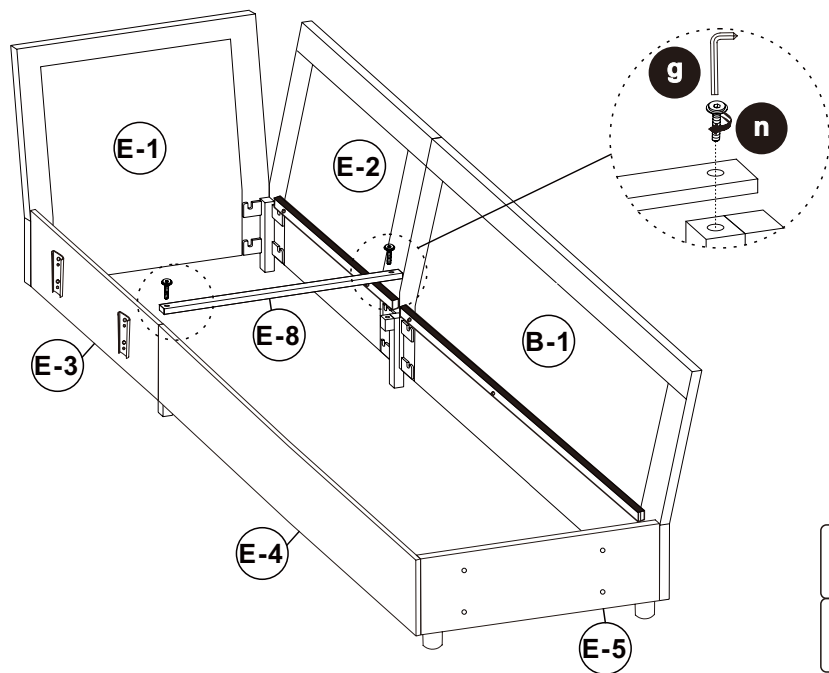


Loosen the screws at first for better engagement.

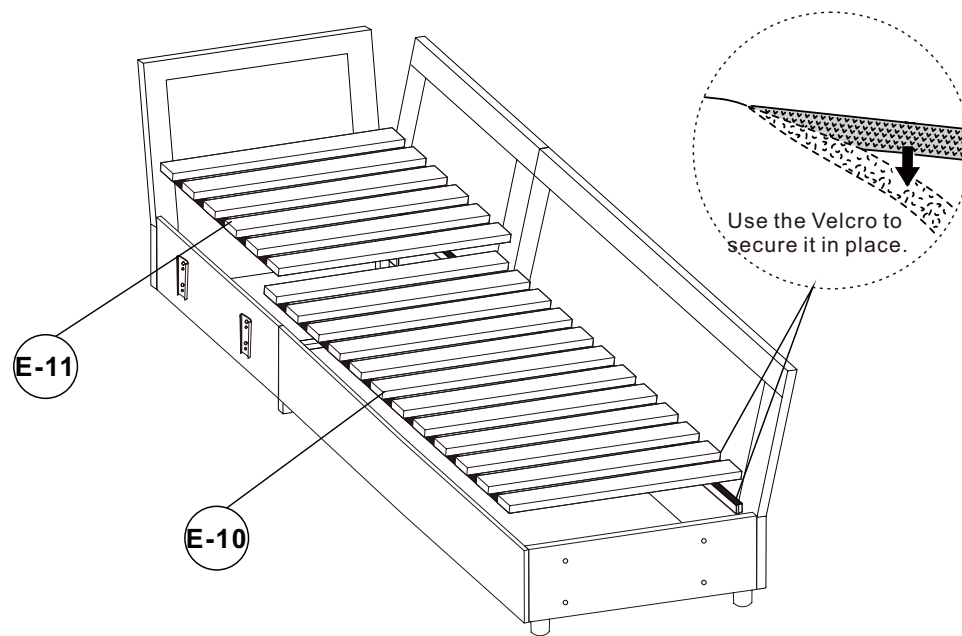
STEP 12



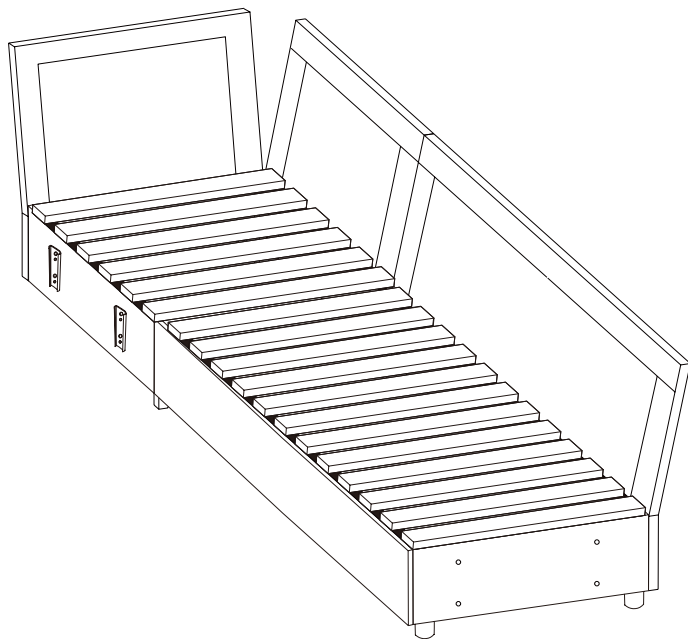
STEP 13



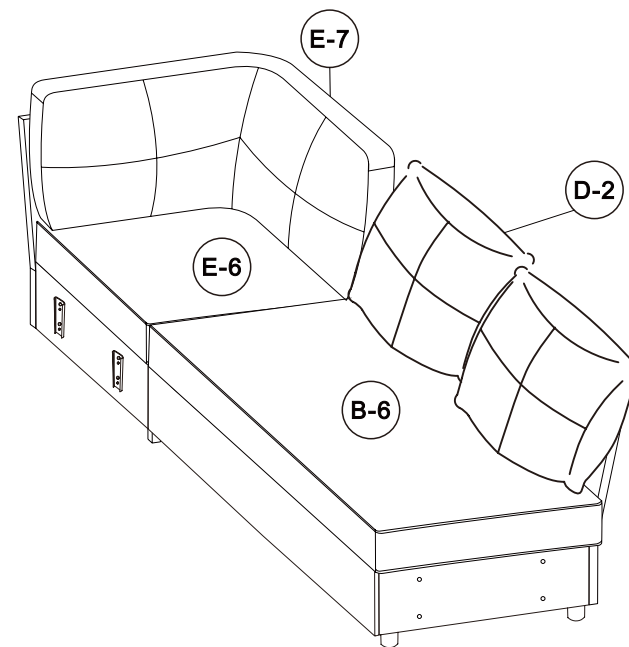
STEP 14



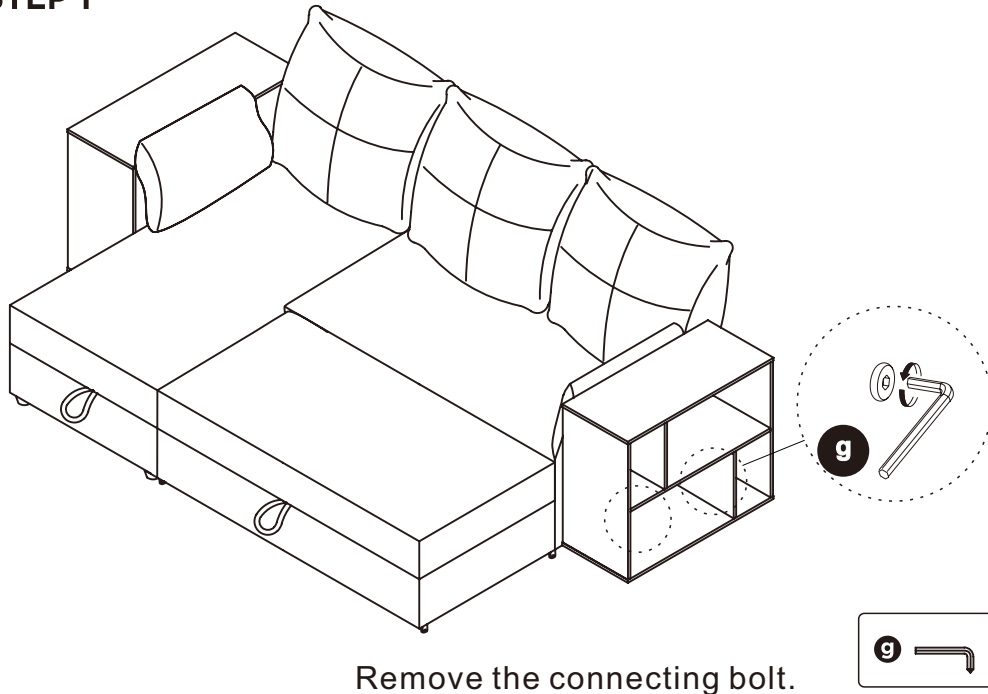
STEP 15



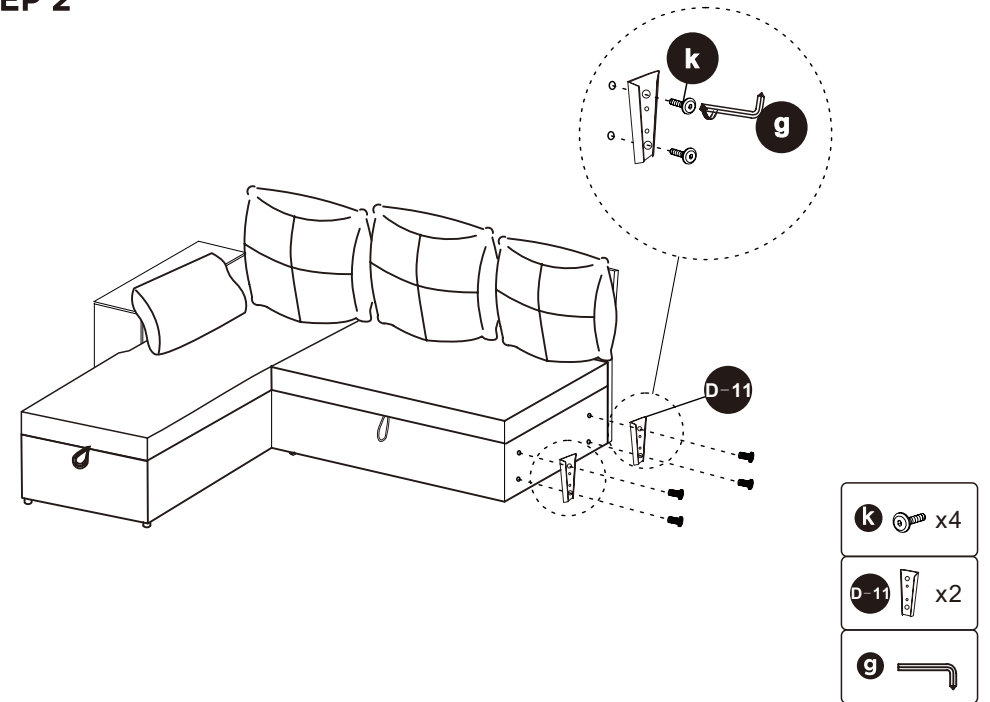
STEP 16



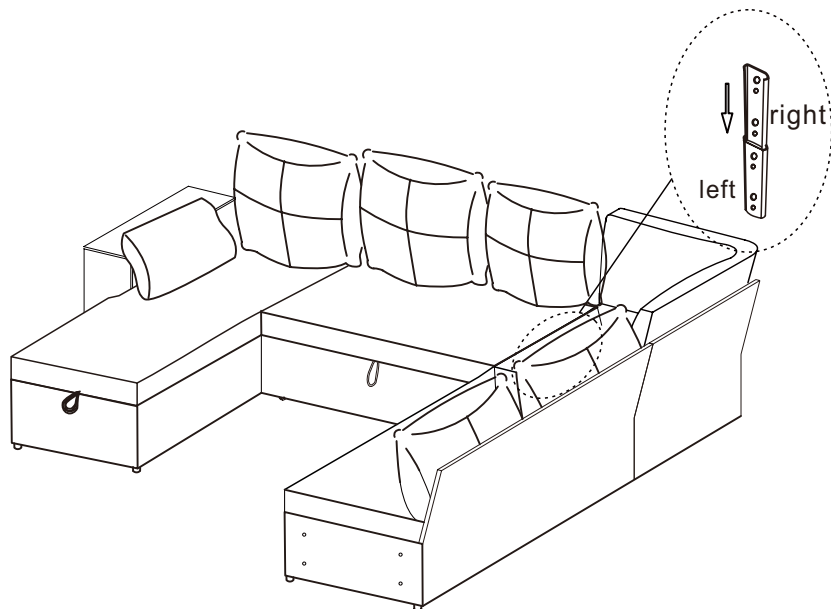
STEP 1



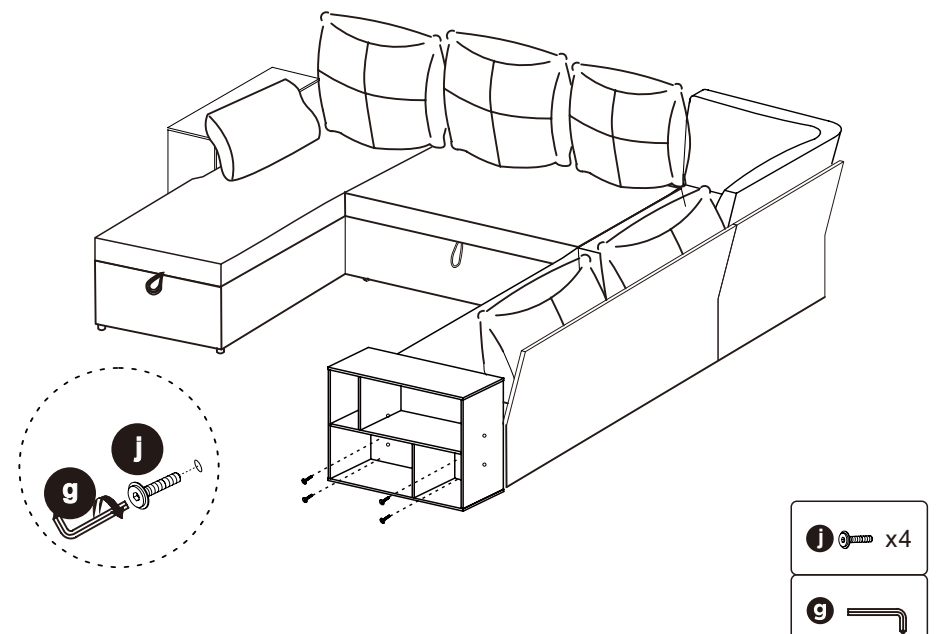
STEP 2



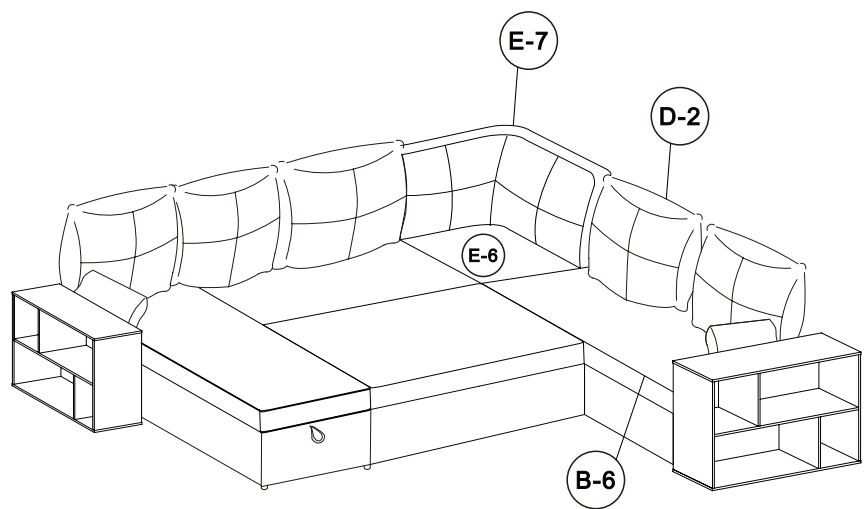
STEP 3



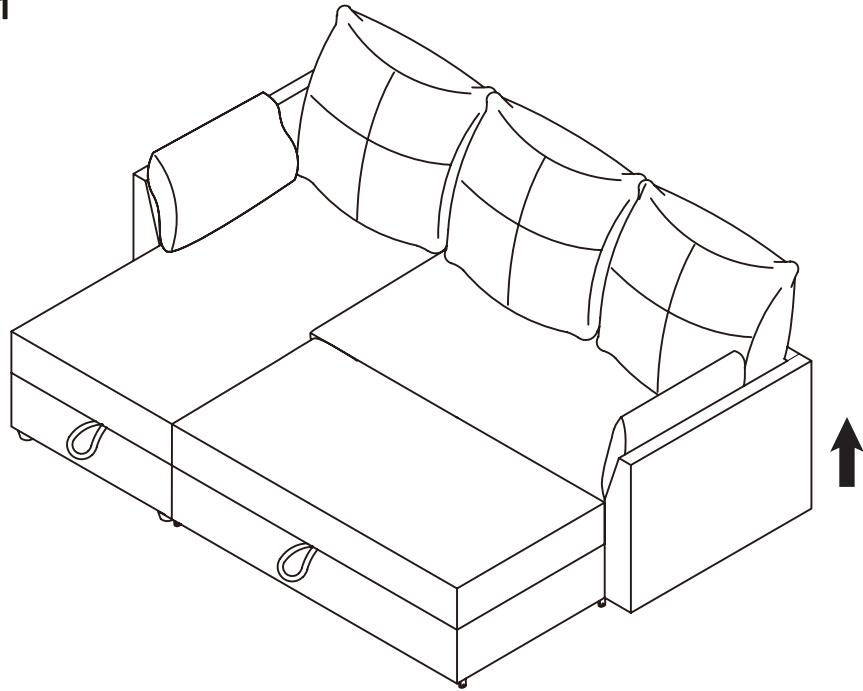
STEP 4



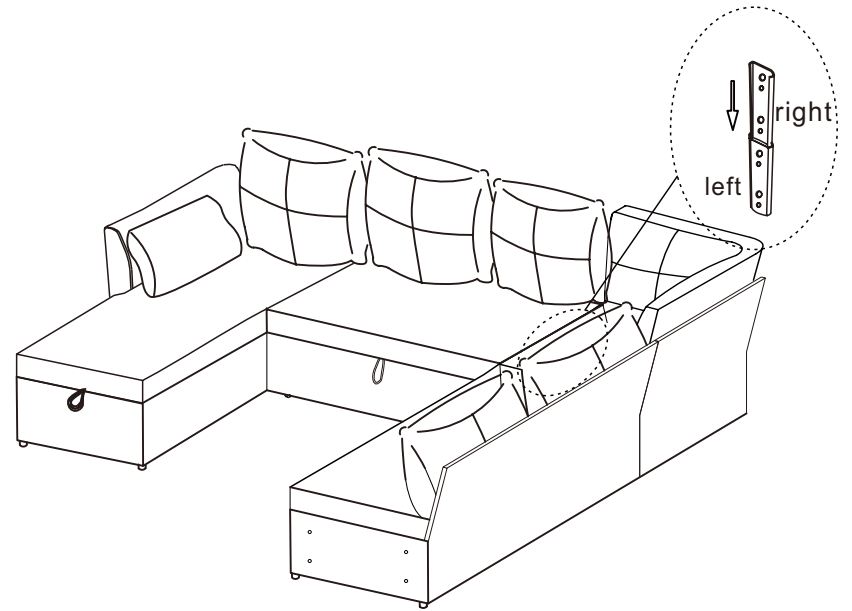
STEP 5



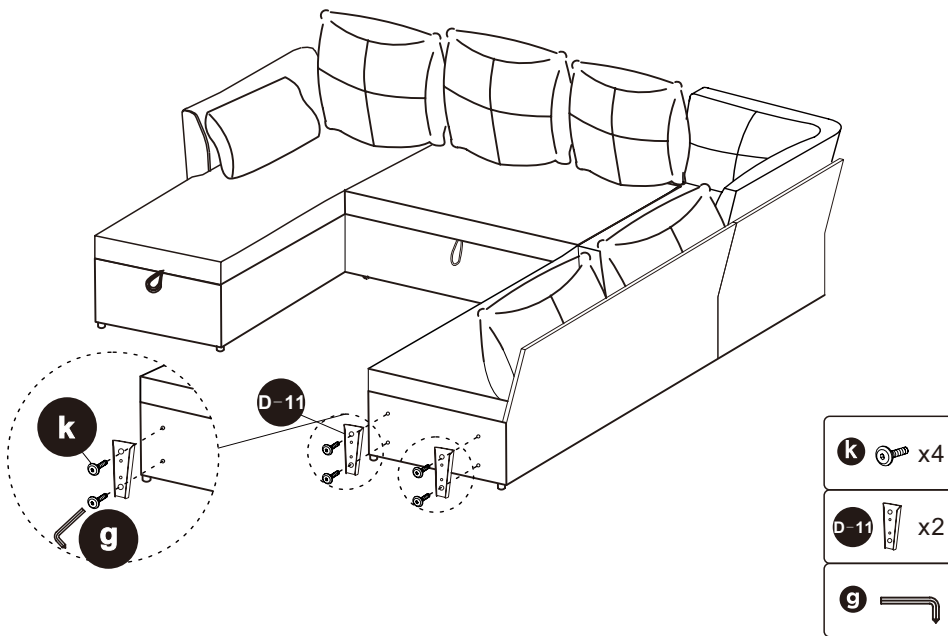
STEP 1



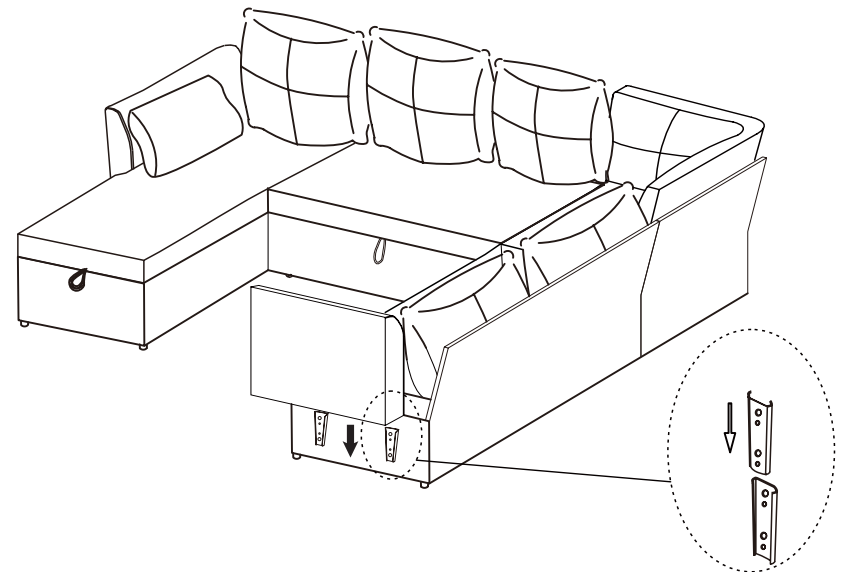
STEP 2



STEP 3



STEP 4



STEP 5

