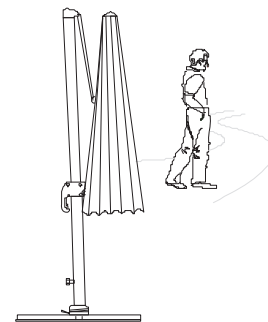
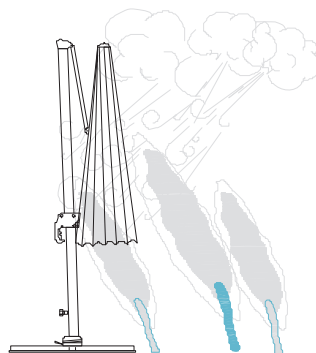
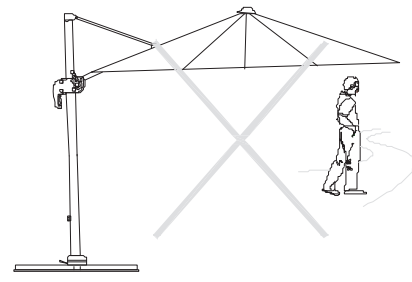
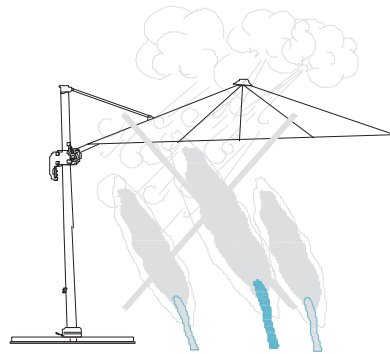
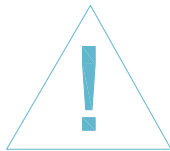
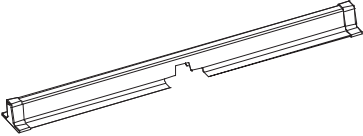
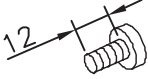
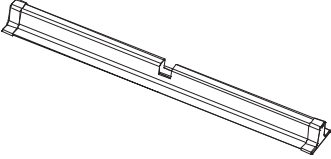

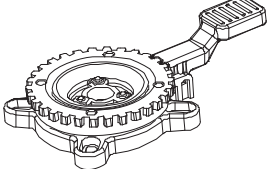

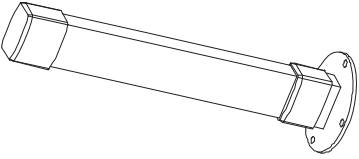

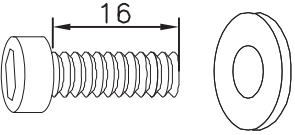
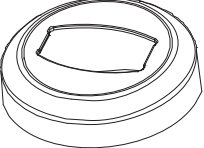
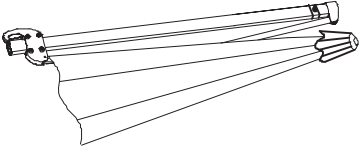
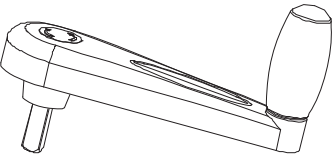
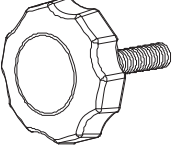
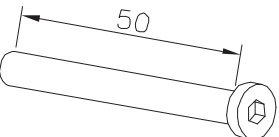


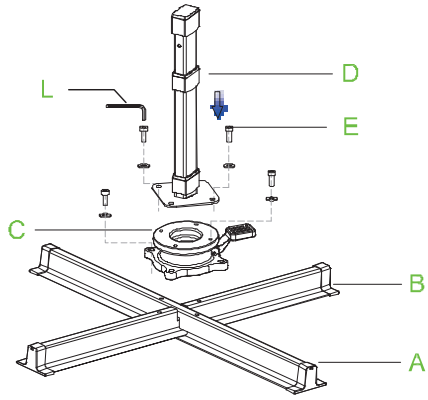
Precautions:

1. Please assemble it on the carpet or on the ground that is not easy to scratch
2. assembly until all the screws on the hole and then lock
3. Close your umbrella when people leave in strong wind

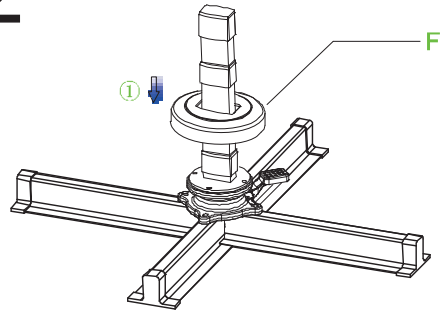


A		1		K 	1
B		1		L 	1
C		1		M 	2
D		1		N 	1
E		8			
F		1			
G		1			
H		1			
I		1			
J		1			

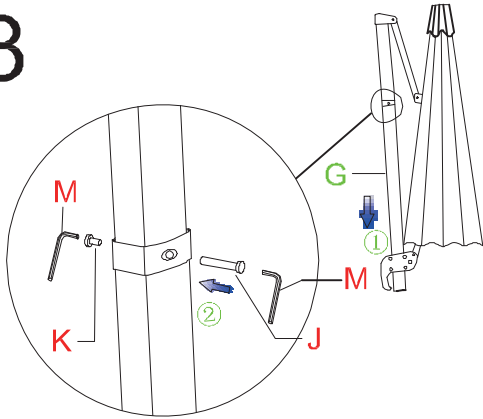
1



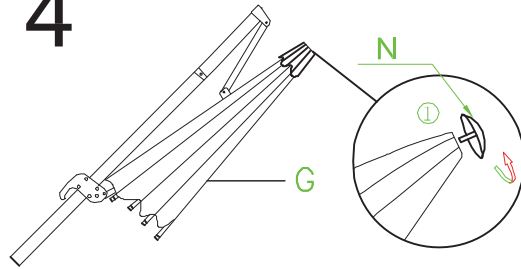
2



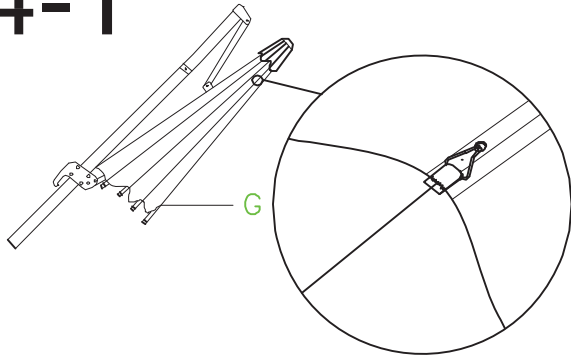
3



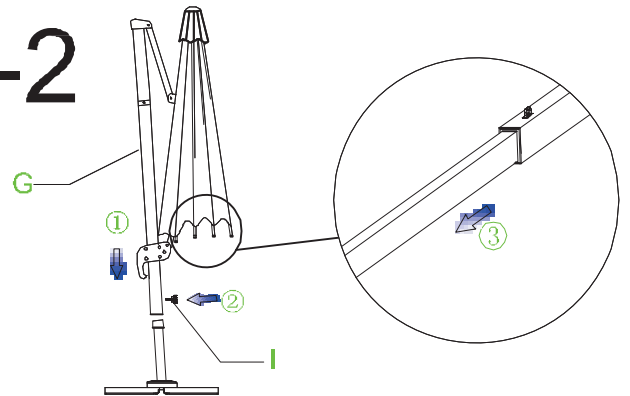
4



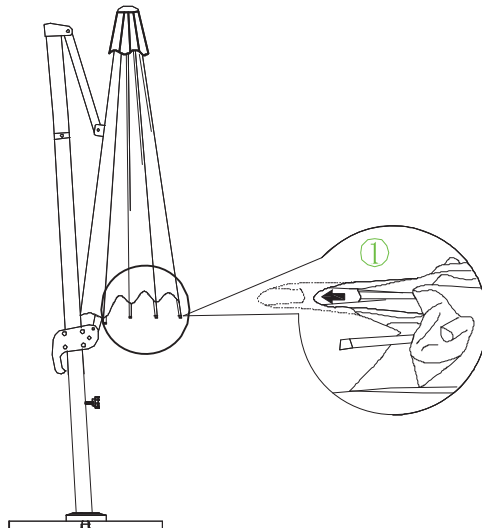
4-1



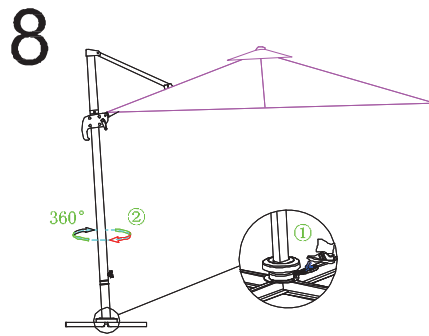
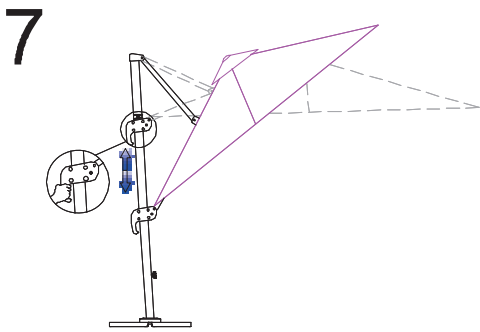
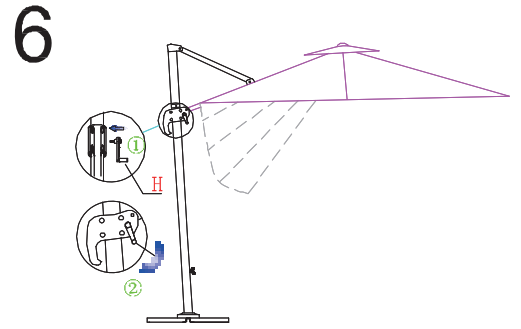
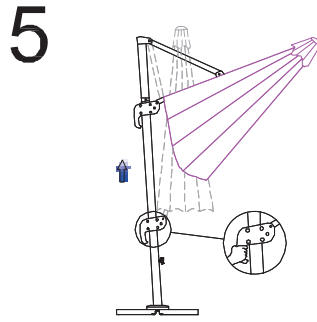
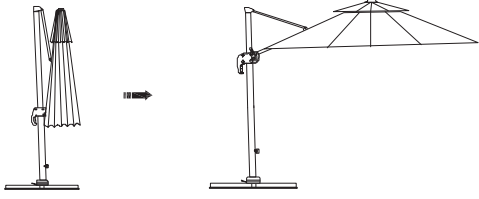
4-2



4-3



Procedures: open the umbrella



Procedures: Close the umbrella

