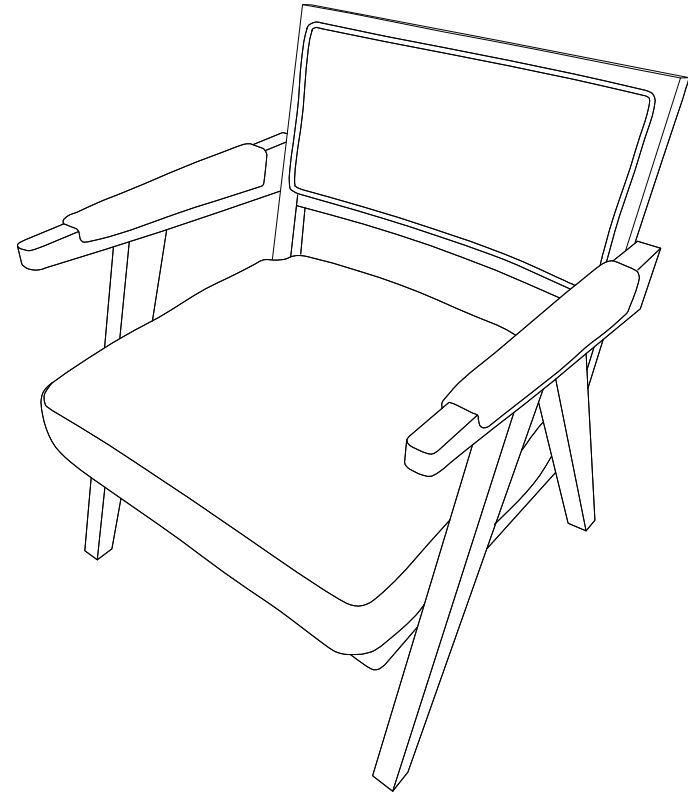


ASSEMBLY INSTRUCTIONS



Be sure to keep spare parts.

**If screws or nails of a product are damaged or lost,
or screws or nails of a subsequent product are
damaged or aged, spare parts can be used to replace them.**

SPARE PARTS

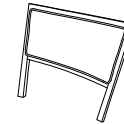
Ax1



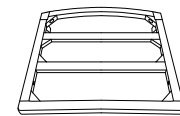
Bx1



Cx1



Dx1



Ex1



Fx8+1extra

M8x55



Gx8+1extra

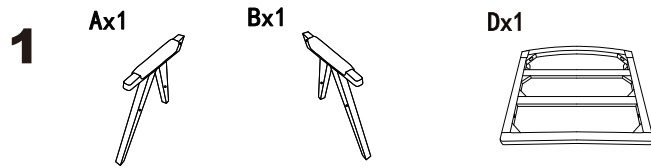


Hx8+1extra

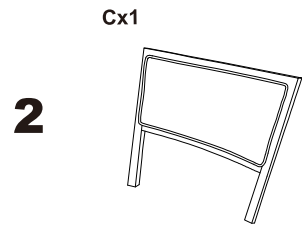
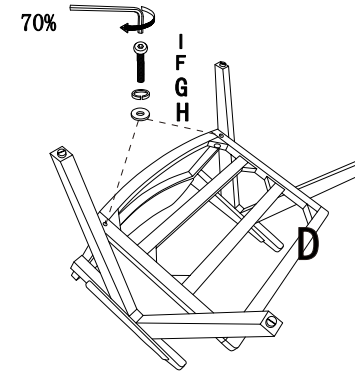
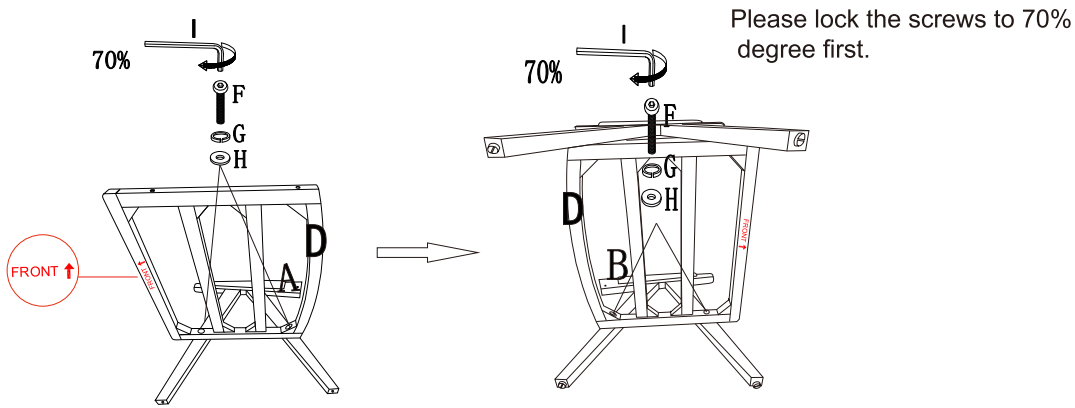


Ix1

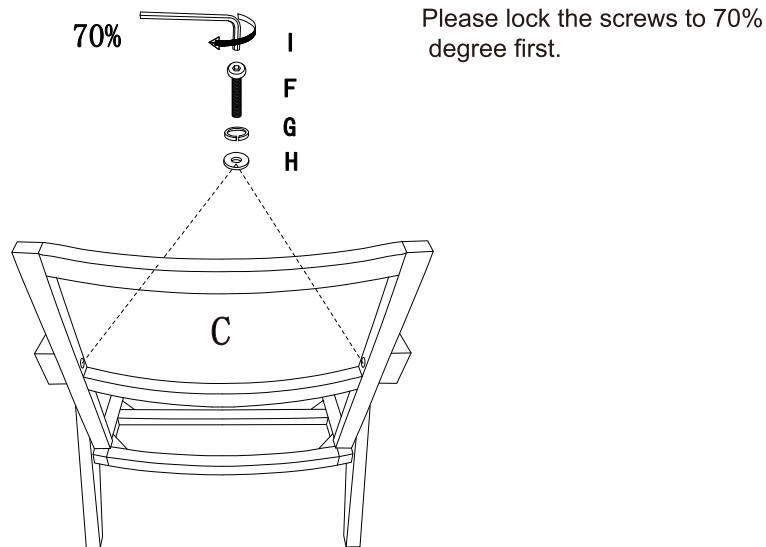
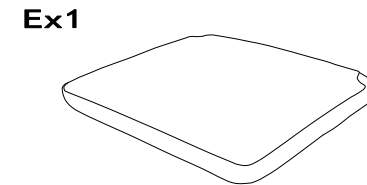




3



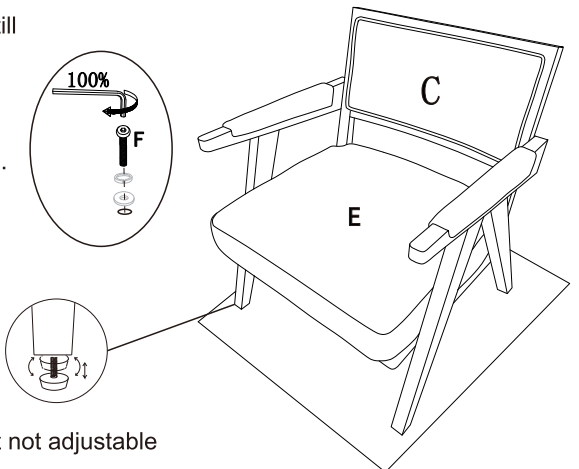
4



Adjust to horizontal

If the mounting back foot is still unstable, adjust the back leg peg to adjust.

and lock to 100% after all screws are installed.



Rear foot adjustable, front foot not adjustable