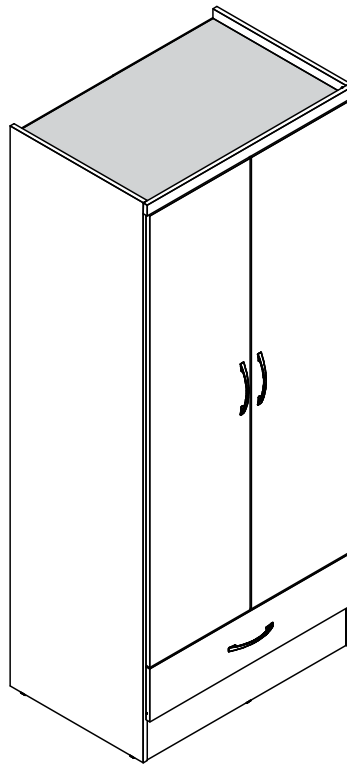


# 2 DOOR 1 DRAWER WARDROBE ASSEMBLY INSTRUCTIONS



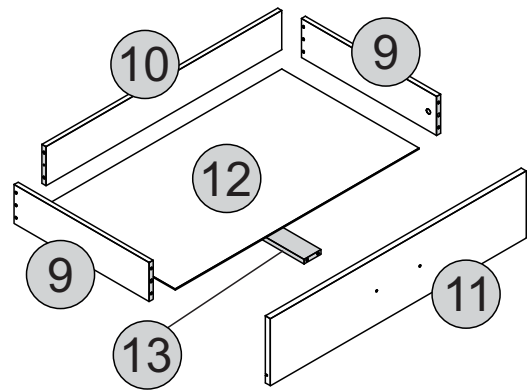
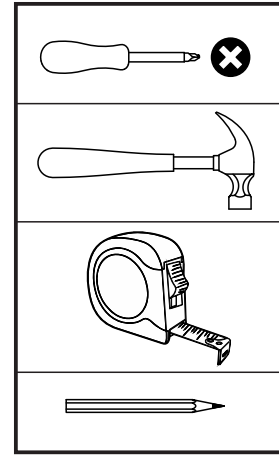
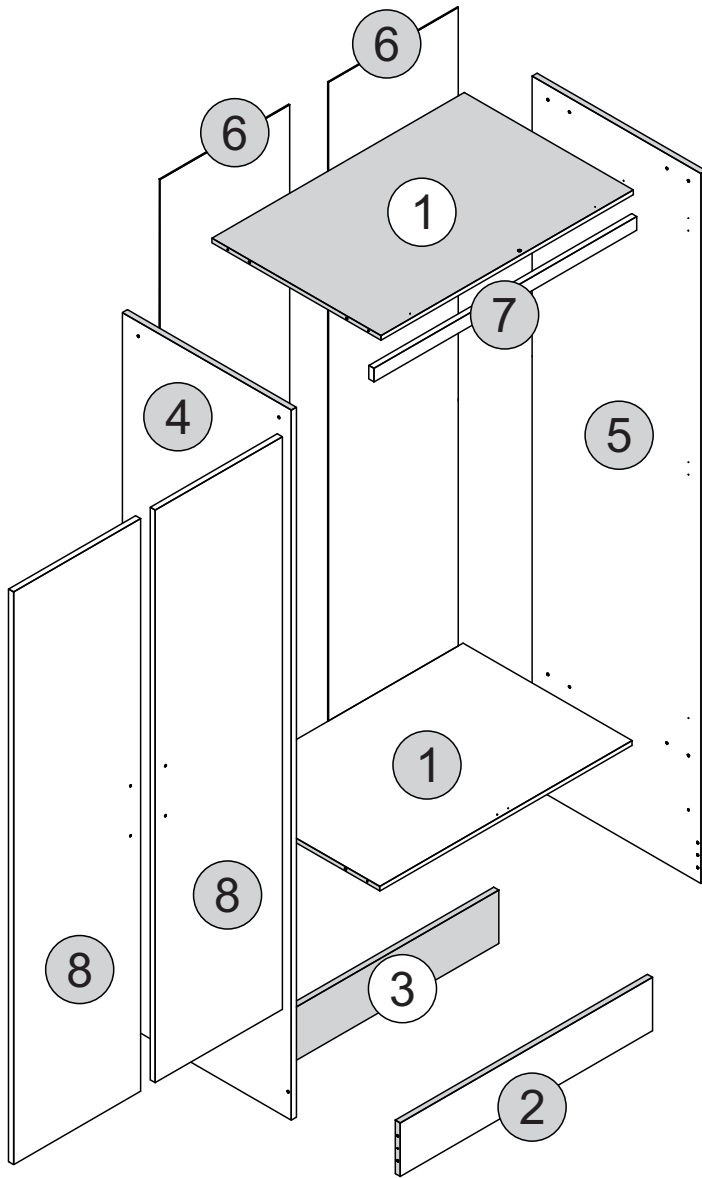
## **IMPORTANT FOR DOMESTIC USE ONLY**

**PLEASE READ BEFORE YOU CONTINUE FURTHER**

## **CARE AND MAINTENANCE**

After unpacking this product please keep the original packaging in case it needs to be returned for any reason.

- Please ensure all fittings and parts are present before commencing with assembly.
- Never drag or push products as this could cause damage to the joints making it inferior.
- We strongly recommend that you keep children away from your work area.
- We recommend that you lay a blanket or sheet on the floor to avoid damage to both your floor and the product.
- Assemble this product as close to its final position as possible.
- Do not place this product next to a radiator or in direct sunlight.
- Do not drag or push items across your high gloss furniture as this may cause the surface to scratch
- Wood is a natural product and may expand if subjected to damp and may shrink or crack if subjected to heat. Therefore it is recommended that room temperature is maintained, with no sudden temperature fluctuations.
- Make sure any spillage is wiped off immediately.
- Do not place hot or chilled items directly on to the surface, use a place mat or marking will occur.
- For general cleaning use a soft cotton or micro fibre cloth, and do not use detergents of any kind.
- From time to time it may be necessary to tighten fittings, regular inspections should be carried out.
- Do not place on a wet or damp floor as staining may occur to your floor.

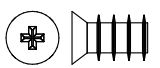
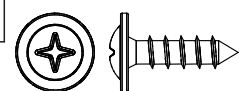
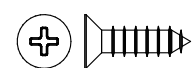
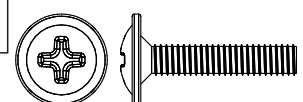
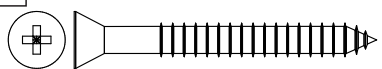

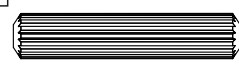


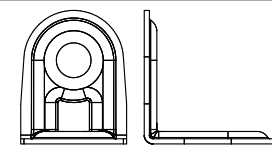
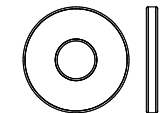
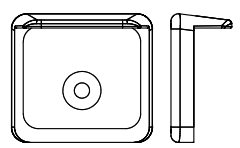
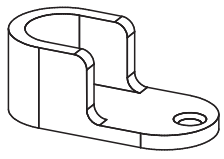
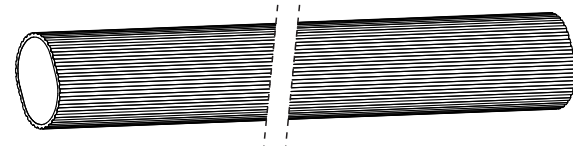
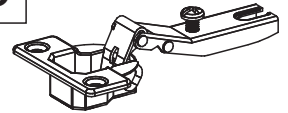
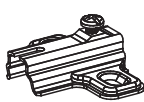
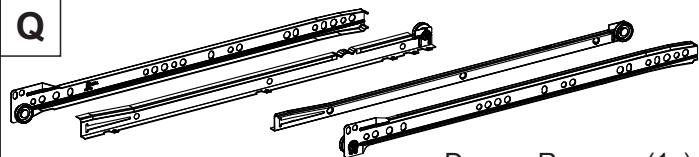
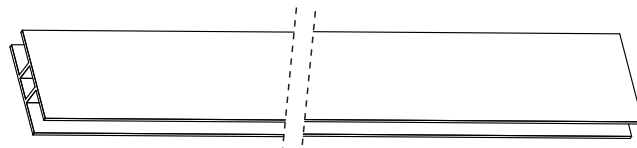




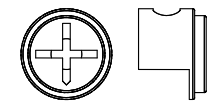
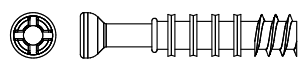

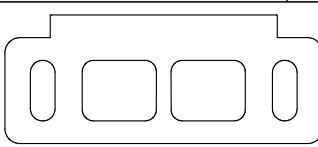
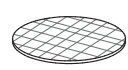


## **PARTS LIST**

***Please Note:***  
The below parts have all been stamped with the part number to help identify them during assembly.

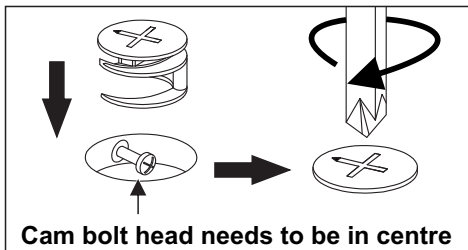
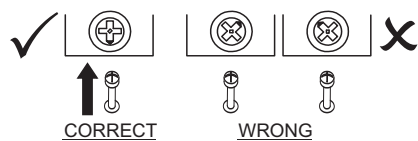
<b>Part Number</b>	<b>Part Description</b>	<b>Quantity</b>	<b>Carton</b>
01	Base-Top Panel	2	1/2
02	Front Baseboard	1	2/2
03	Back Baseboard	1	2/2
04	Left Side Panel	1	1/2
05	Right Side Panel	1	1/2
06	Back Panel	2	1/2
07	Frame	1	2/2
08	Door	2	2/2
09	Drawer Side	2	1/2
10	Drawer Back Panel	1	2/2
11	Drawer Front	1	2/2
12	Drawer Bottom	1	1/2
13	Drawer Botom Support Bar	1	1/2

## FITTINGS LIST

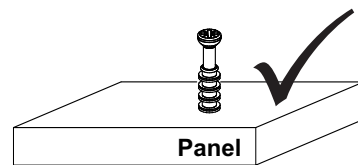
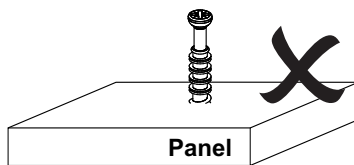
<b>A</b>  Flat Head Screw 1/+ Ø6,0 x 10mm (4x)	<b>B</b>  Flan Head Screw 1/+ Ø4,0 x 14mm (6x)	<b>C</b>  Flat Head Screw 2/+ Ø4,0 x 14mm (34x)	<b>D</b>  Flan Head Screw 1/+ Ø4,0 x 20mm (6x)
<b>E</b>  Flat Head Screw 1/+ Ø3,5 x 40mm (2x)	<b>F</b>  Flat Head Screw 2/+ Ø4,0 x 50mm (14x)	<b>G</b>  2/+ Dowel Ø6,0 x 30mm (26x)	
<b>H</b>  2/+ Nail 10 x 10 (58x)	<b>I</b>  1/+ Flan Head Screw Ø3,5 x 30mm (2x)	<b>J</b>  1/+ 'L' Metallic Support (4x)	<b>K</b>  1/+ Washer (4x)
<b>L</b>  1/+ Plastic Foot (6x)	<b>M</b>  Hanging Rail Support (2x)	<b>N</b>  Hanging Rail (1x)	
<b>O</b>  Hinge (6x)	<b>P</b>  Hinge Plate (6x)	<b>Q</b>  Drawer Runners (1x)	
<b>R</b>  Back Panel Strip (1x)		<b>S</b>  Strap (2x)	<b>T</b>  Handle (3x)
<b>U</b>  2/+ Hole Plugs (12x)	<b>V</b>  Glue (1x)	<b>W</b>  1/+ Cam Nut (2x)	<b>X</b>  1/+ Cam Bolt (2x)
<b>Y</b>  Flat Head Screw 2/+ Ø4,0 x 12mm (12x)	<b>Z</b>  Door Support (2x)		<b>A1</b>  2/+ Hole Plugs (2x)

### TIPS FOR FITTINGS CAM-LOCKS

WHEN FITTING CAM NUT. ENSURE STARTING POSITION IS CORRECT BEFORE YOU INSERT CONNECTING CAM BOLT TURN CLOCKWISE UNTIL SECURE



**CAMBOLT**  
 Tighten until shoulder in flush with panel. Do not overtighten or undertighten (see example beside)



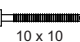
# STEP 1

## PARTS REQUIRED

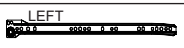
4 - LEFT SIDE PANEL x1

## HARDWARE REQUIRED

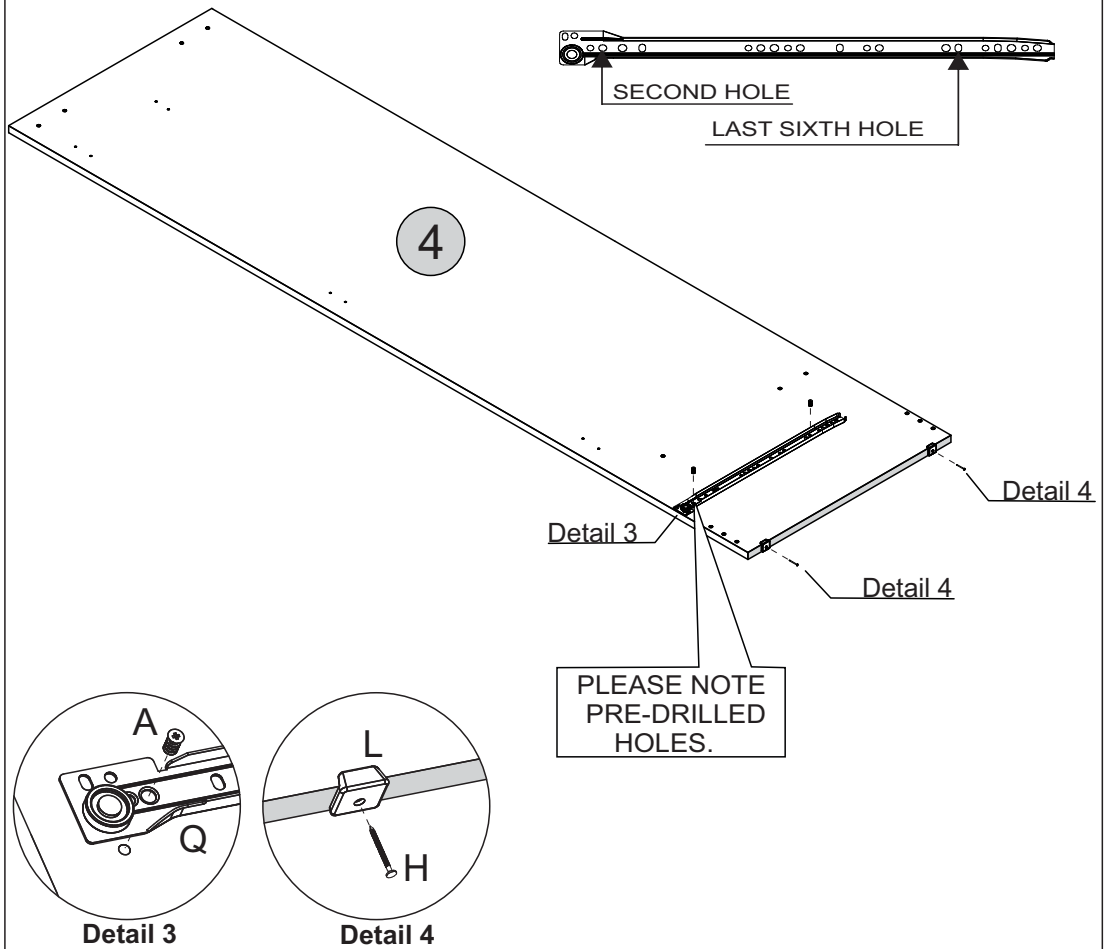
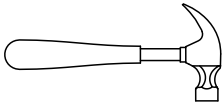
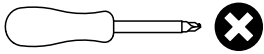
A  02  
Ø6,0 x 10mm

H  02  
10 x 10

L  02

Q  01  
LEFT

## TOOLS REQUIRED




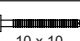
# STEP 2

## PARTS REQUIRED


4 - RIGHT SIDE PANEL x1

## HARDWARE REQUIRED

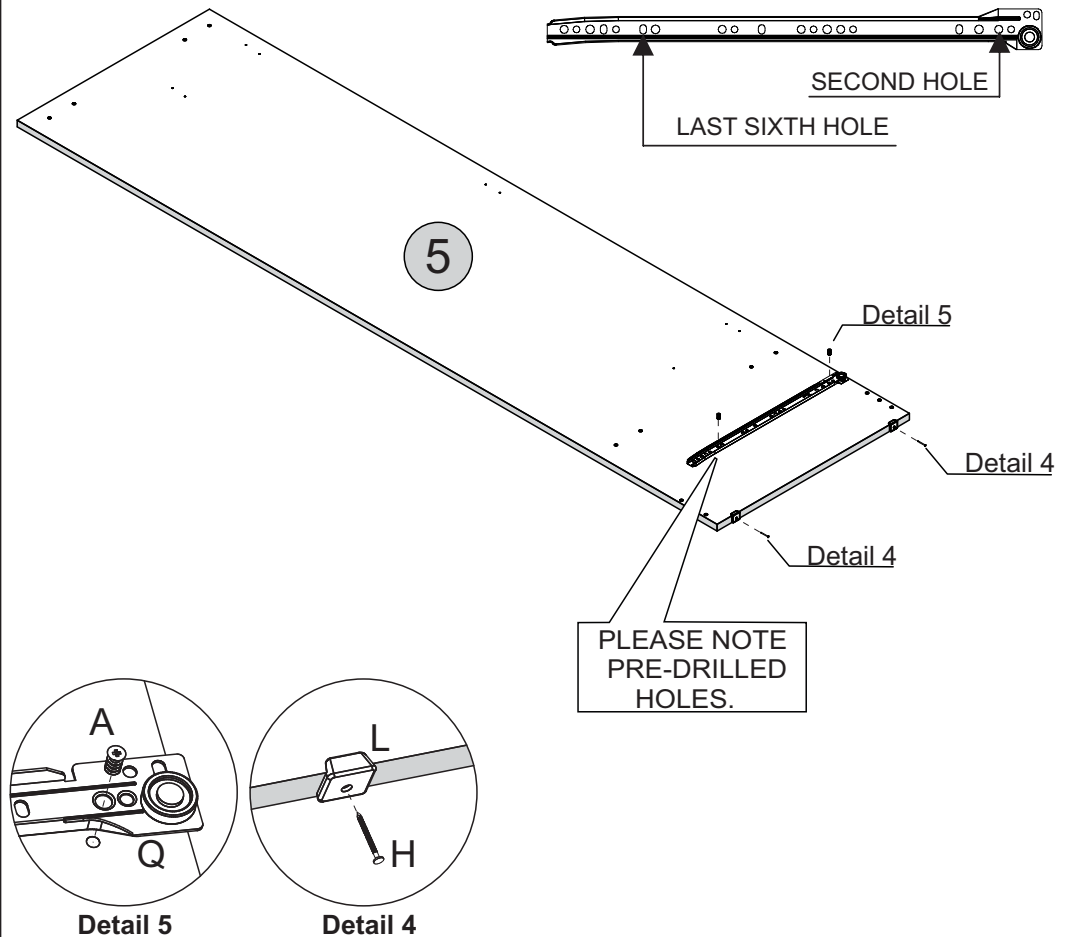
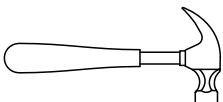
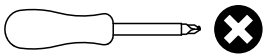
A  02  
Ø6,0 x 10mm

H  02  
10 x 10

L  02

Q  01  
RIGHT

## TOOLS REQUIRED

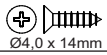



# STEP 3

## PARTS REQUIRED

4 - LEFT SIDE PANEL x1

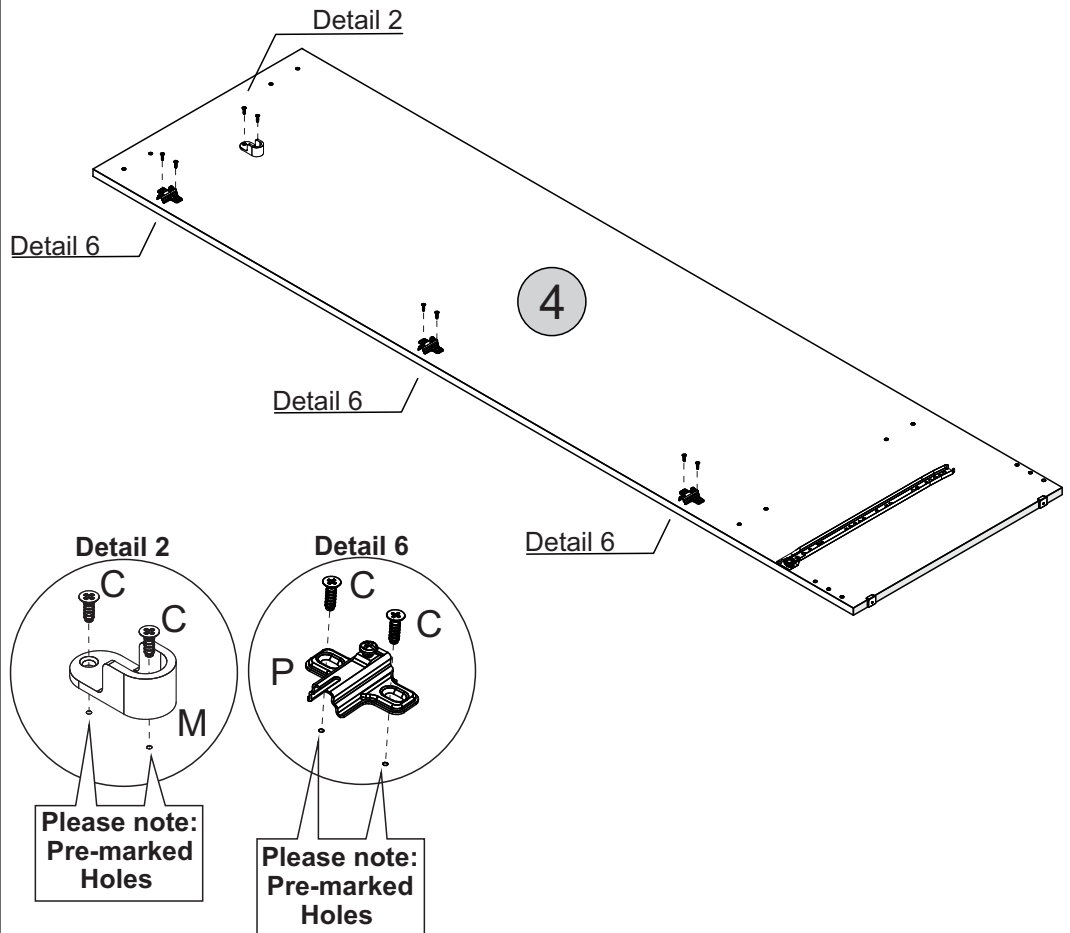
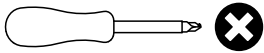
## HARDWARE REQUIRED

C  08  
Ø4,0 x 14mm

M  01

P  03

## TOOLS REQUIRED

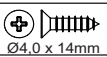


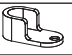
# STEP 4

## PARTS REQUIRED

4 - RIGHT SIDE PANEL x1

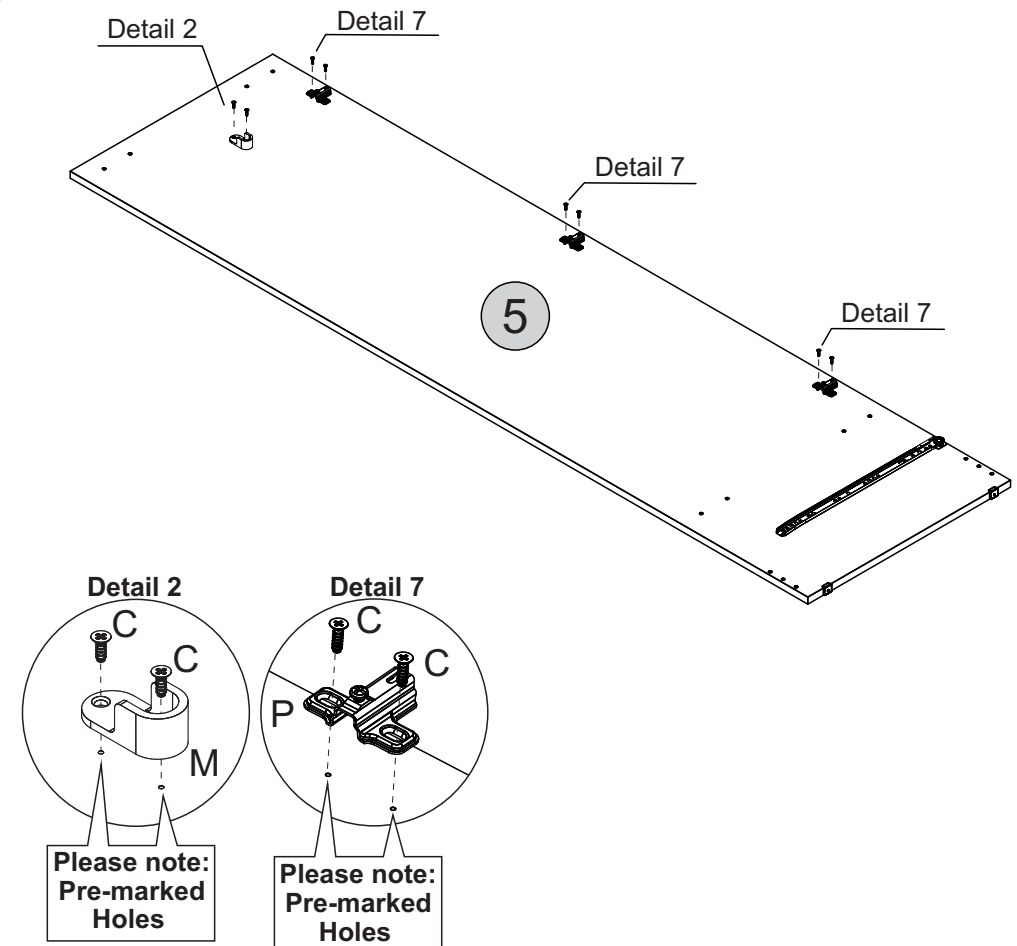
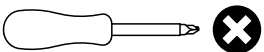
## HARDWARE REQUIRED

C  08  
Ø4,0 x 14mm

M  01

P  03

## TOOLS REQUIRED




# STEP 5

## PARTS REQUIRED

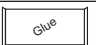
1A - TOP PANEL x1

1B - BASE PANEL x1

## HARDWARE REQUIRED

G  08  
Ø6,0 x 30mm

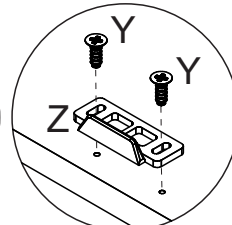
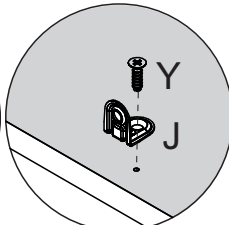
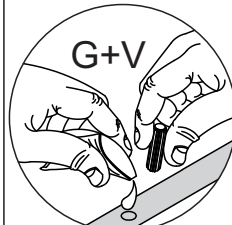
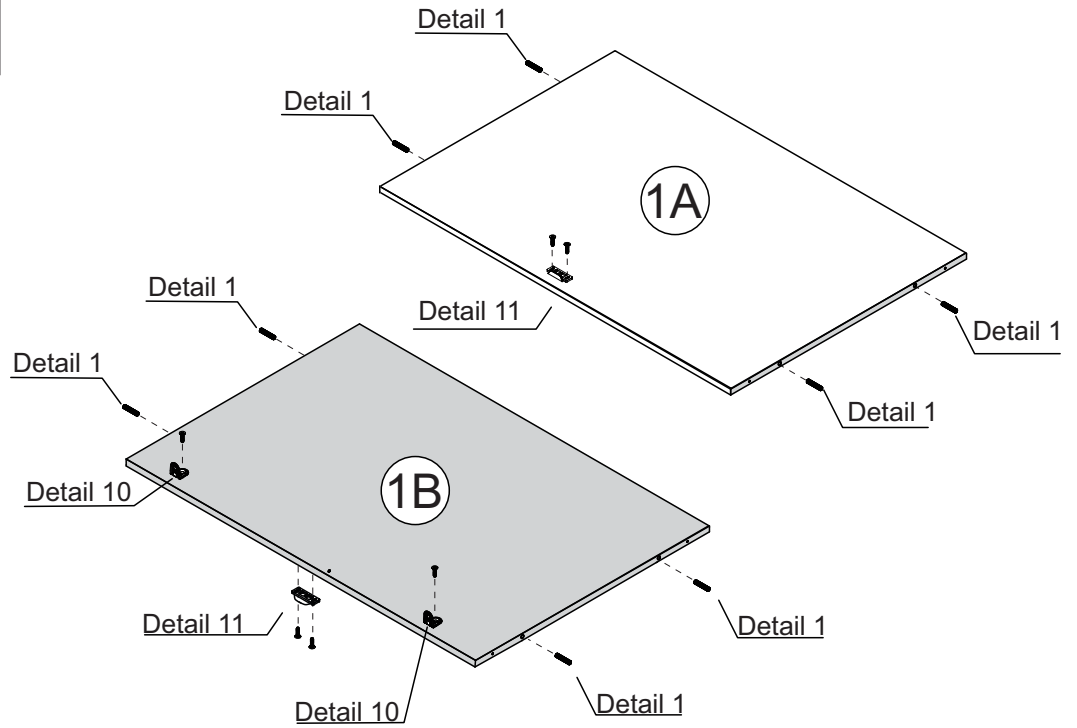
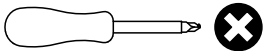
J  02

V  01

Y  06  
Ø4,0 x 12mm

Z  02

## TOOLS REQUIRED



Detail 1

Detail 10

Detail 11


# STEP 6

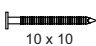
## PARTS REQUIRED

2 - FRONT BASEBOARD x1

3 - BACK BASEBOARD x1

## HARDWARE REQUIRED

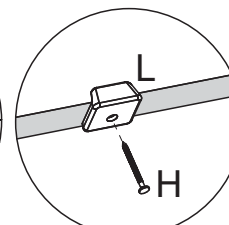
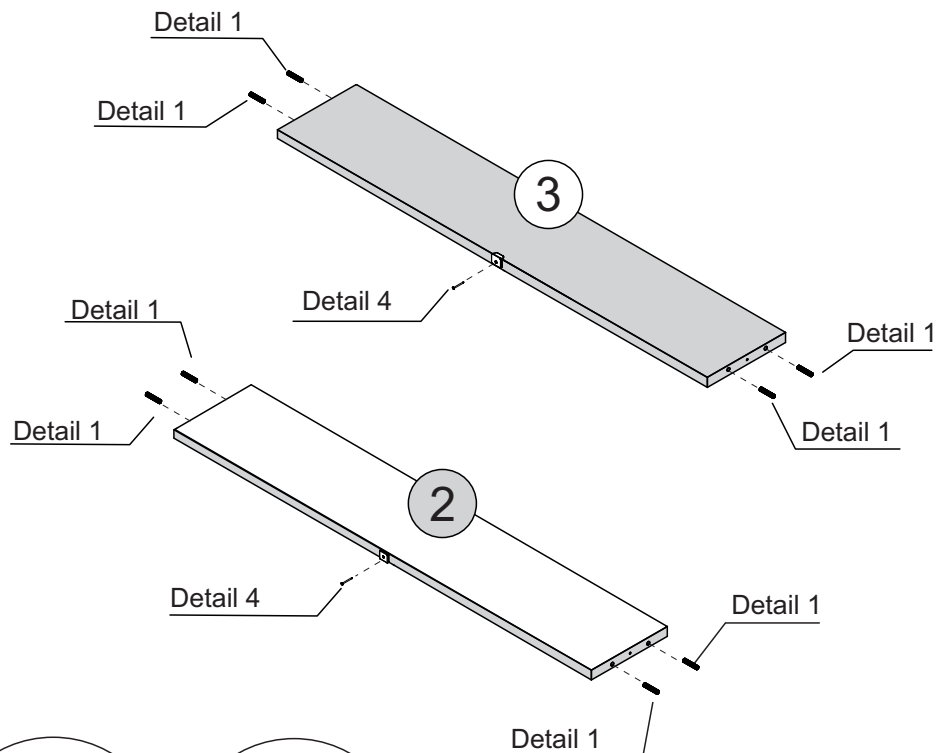
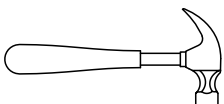
G  08  
Ø6,0 x 30mm

H  02  
10 x 10

L  02

V  01

## TOOLS REQUIRED



Detail 1

Detail 4

# STEP 7


## PARTS REQUIRED

1A - BASE PANEL x1

1B - TOP PANEL x1

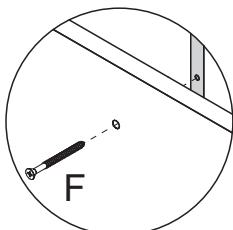
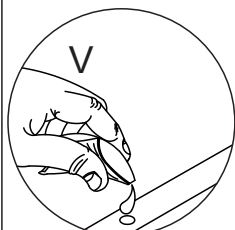
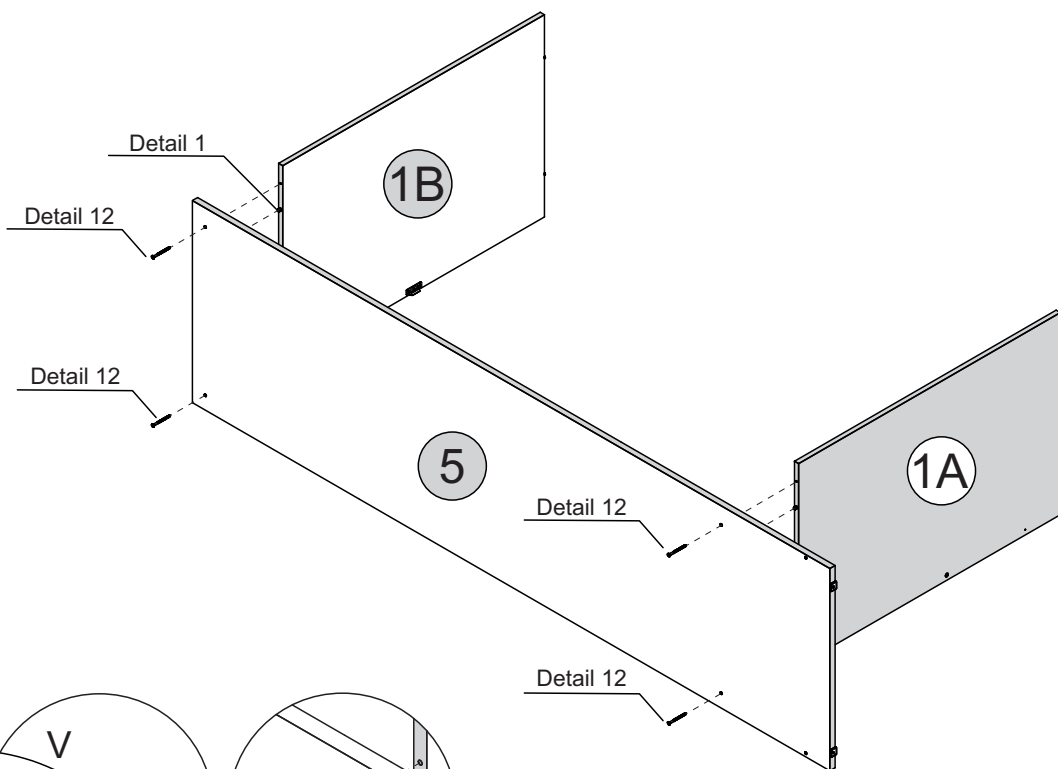
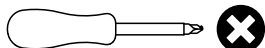
5 - RIGHT SIDE PANEL x1

## HARDWARE REQUIRED

F  04  
Ø4,0 x 50mm

V  01

## TOOLS REQUIRED



Detail 1

Detail 12

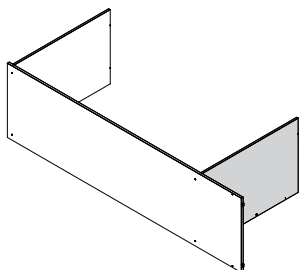
# STEP 8

## PARTS REQUIRED


2 - FRONT BASEBOARD x1

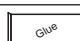
3 - BACK BASEBOARD x1

4 - LEFT SIDE PANEL x1

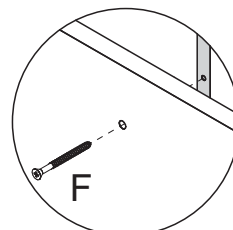
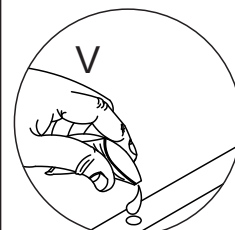
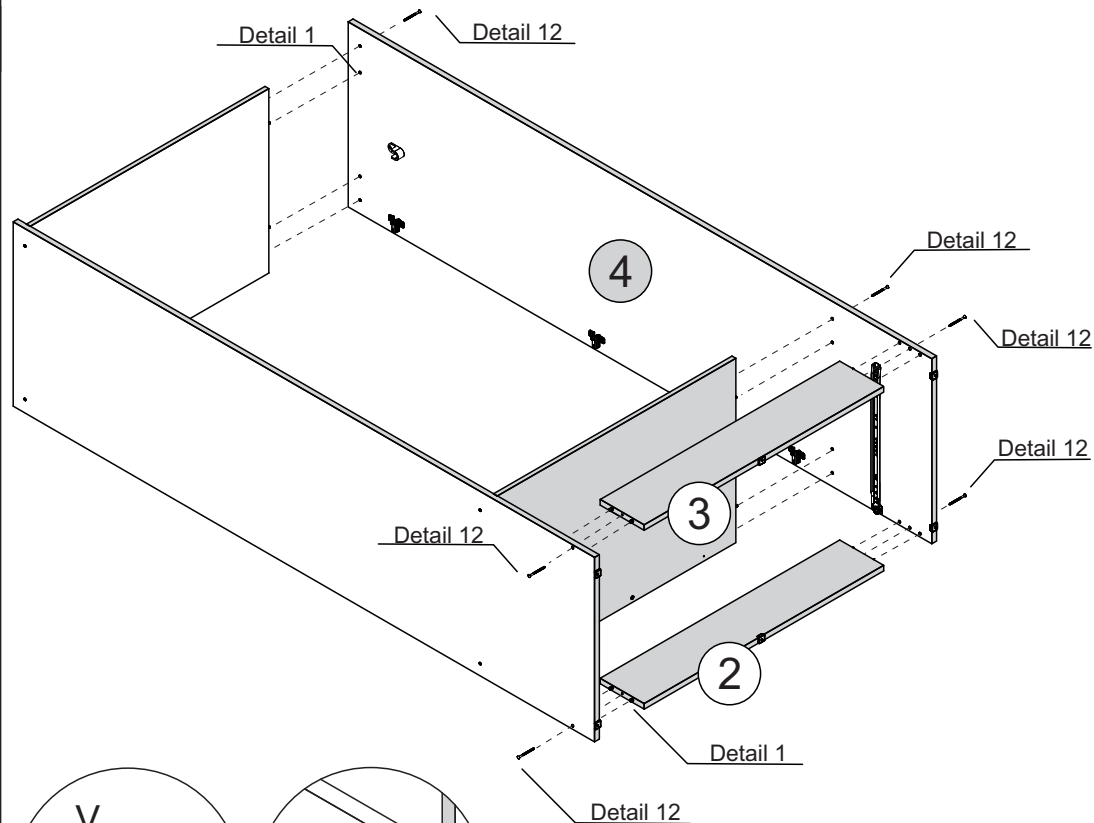
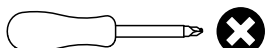


## HARDWARE REQUIRED

F  08  
Ø4,0 x 50mm

V  01

## TOOLS REQUIRED



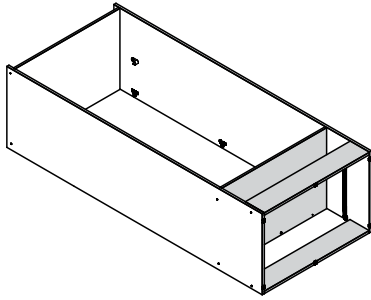
Detail 1

Detail 12

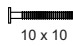
# STEP 9

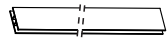
## PARTS REQUIRED

6 - BACK PANEL x2

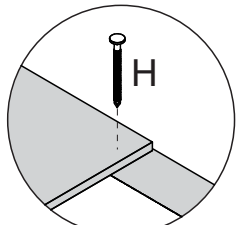
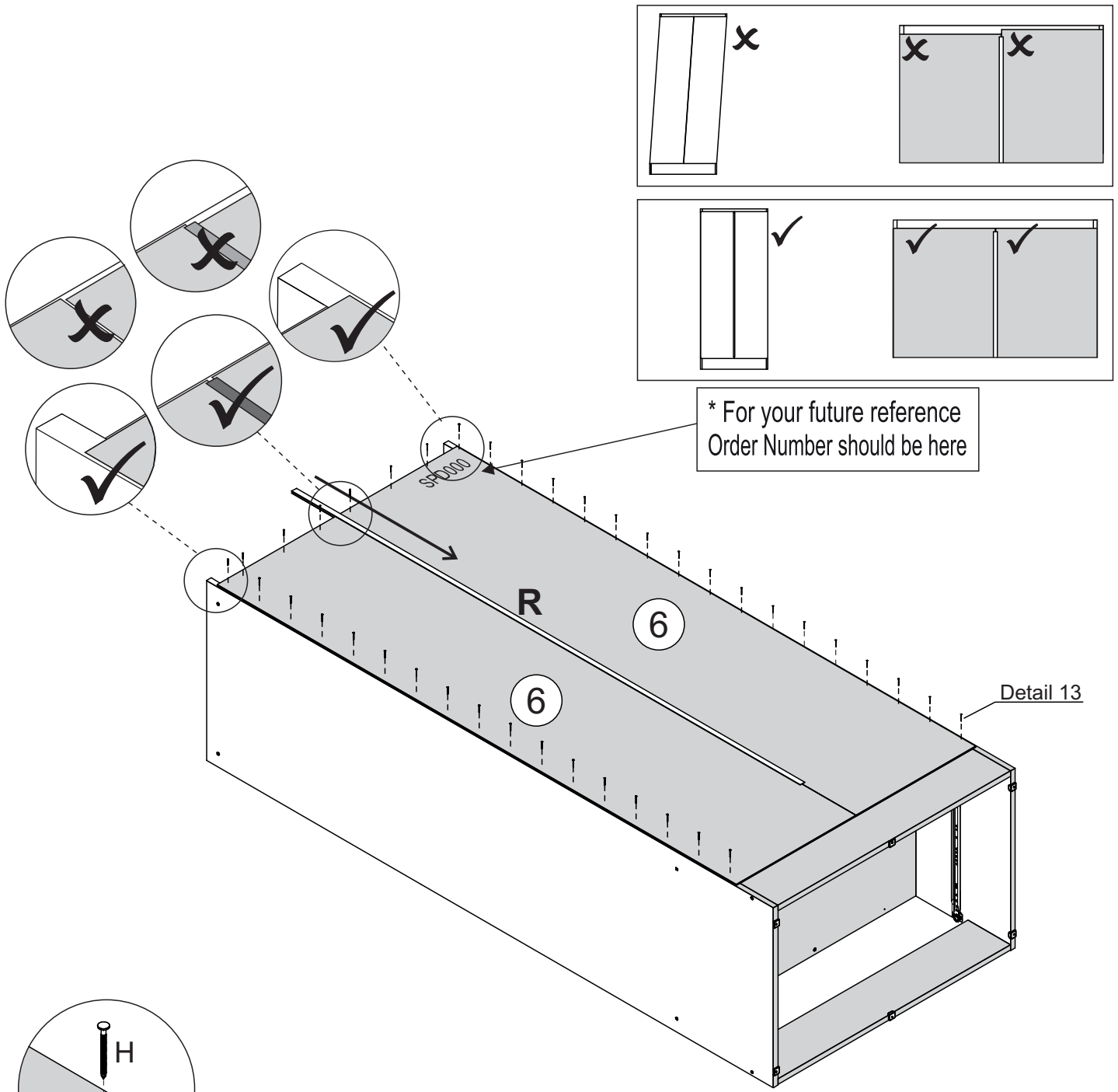
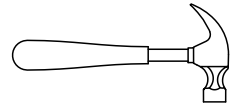


## HARDWARE REQUIRED

H  40

R  01

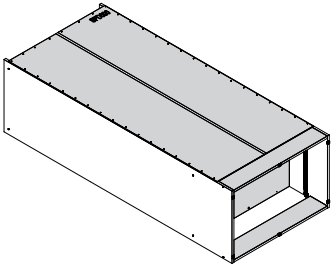
## TOOLS REQUIRED



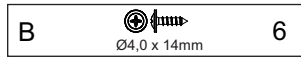
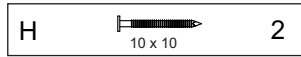
Detail 13

# STEP 10

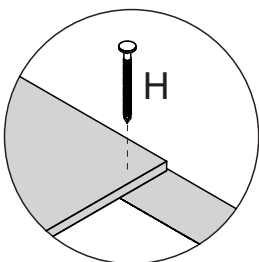
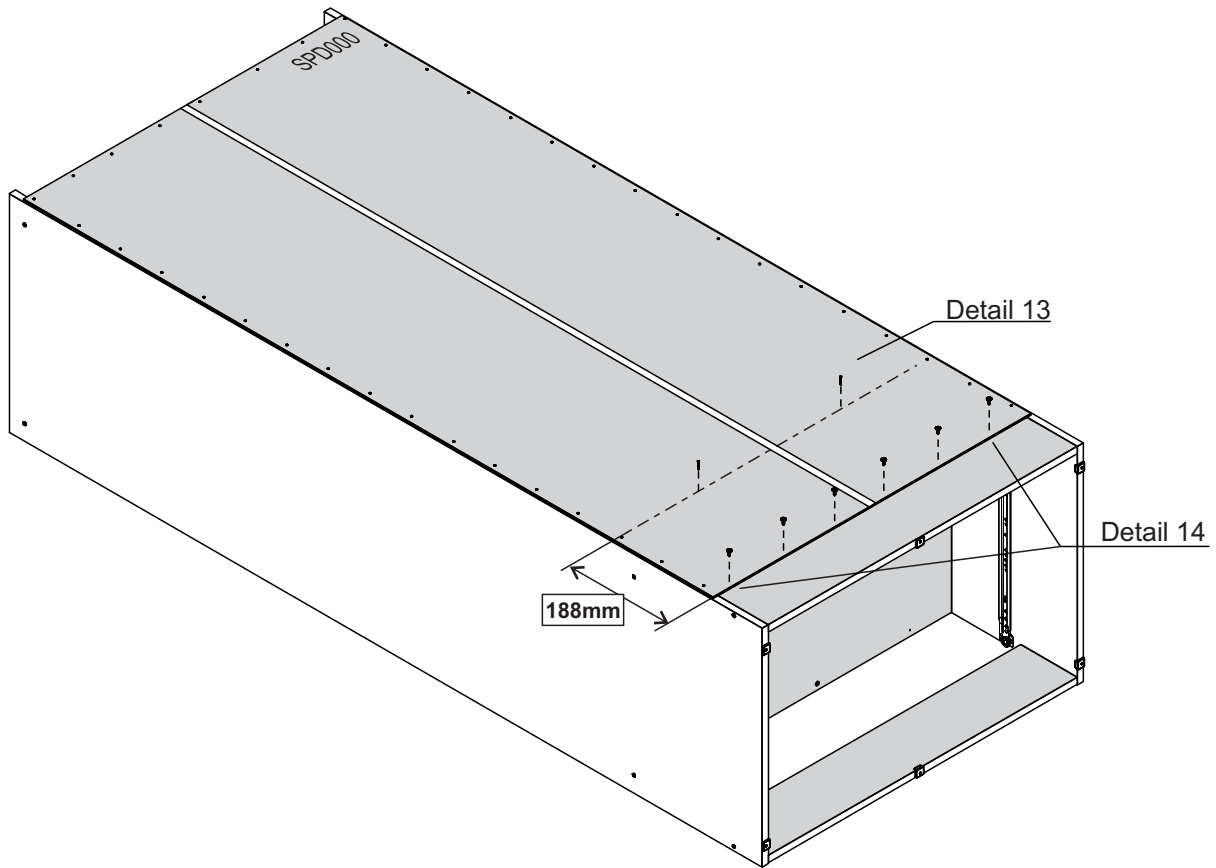
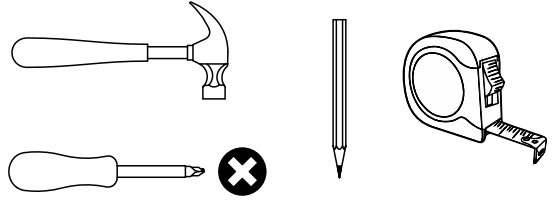
## PARTS REQUIRED



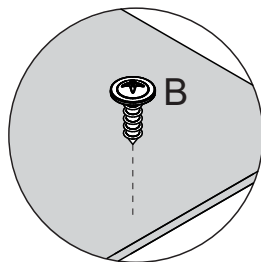
## HARDWARE REQUIRED



## TOOLS REQUIRED



Detail 13

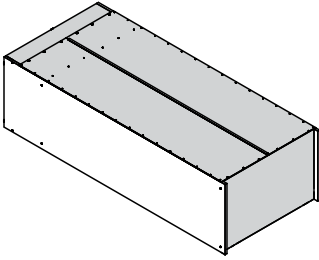


Detail 14


# STEP 11


## PARTS REQUIRED

7 - FRAME x1

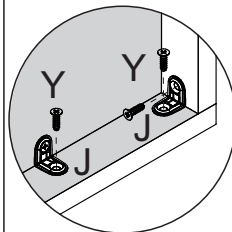
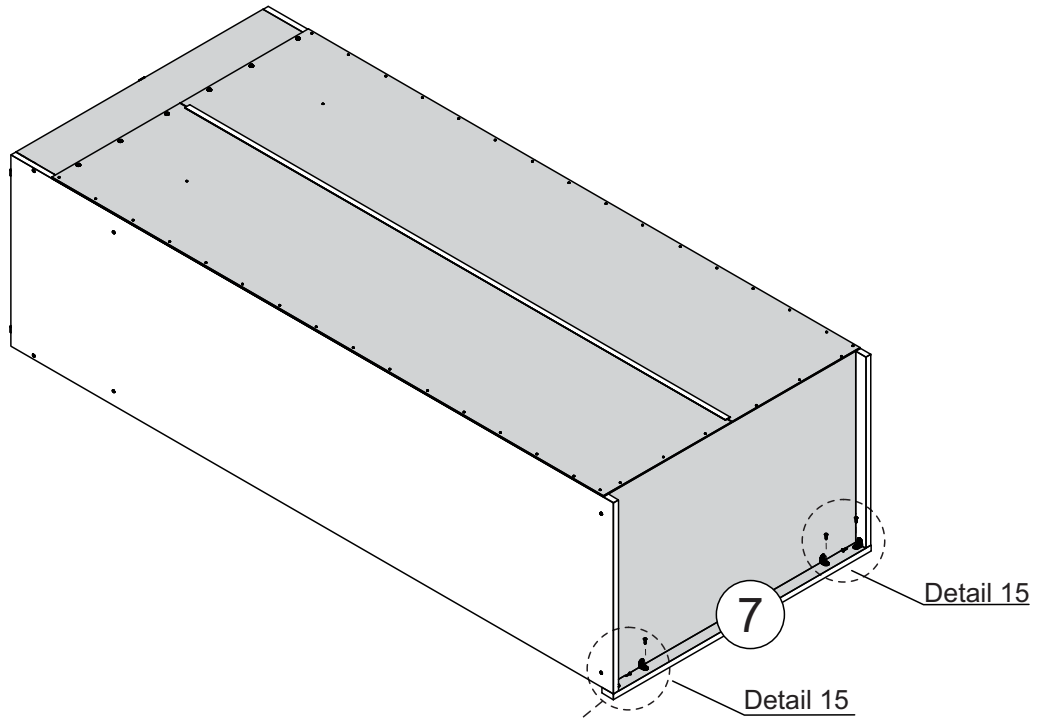
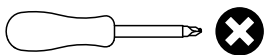


## HARDWARE REQUIRED

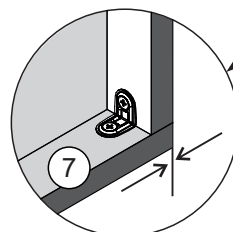
J  02

Y  06  
Ø4,0 x 12mm

## TOOLS REQUIRED



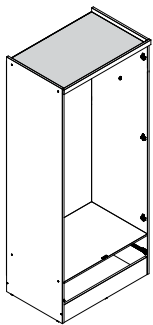
Detail 15



Align corners

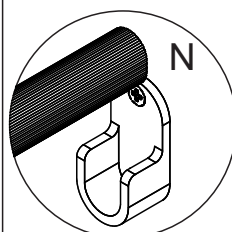
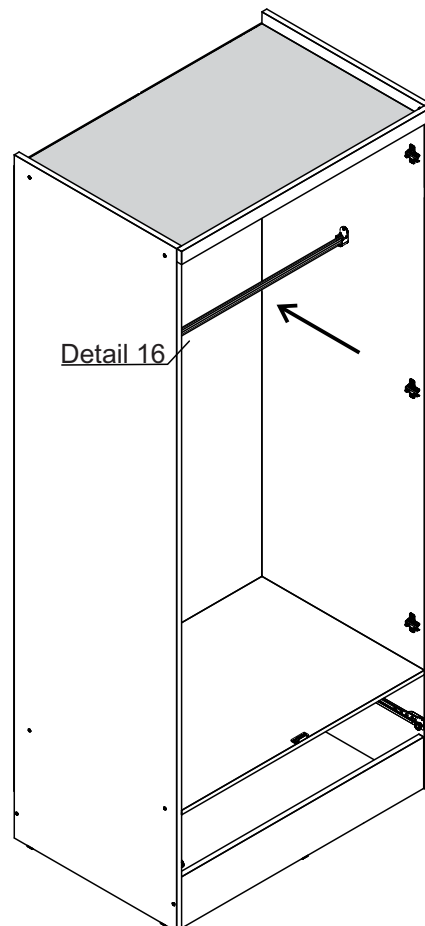
# STEP 12

## PARTS REQUIRED



## HARDWARE REQUIRED

N  01



Detail 16

# STEP 13


## PARTS REQUIRED

9 - DRAWER SIDE x2

10 - DRAWER BACK PANEL x1

13 - DRAWER BOTTOM SUPPORT BAR x1

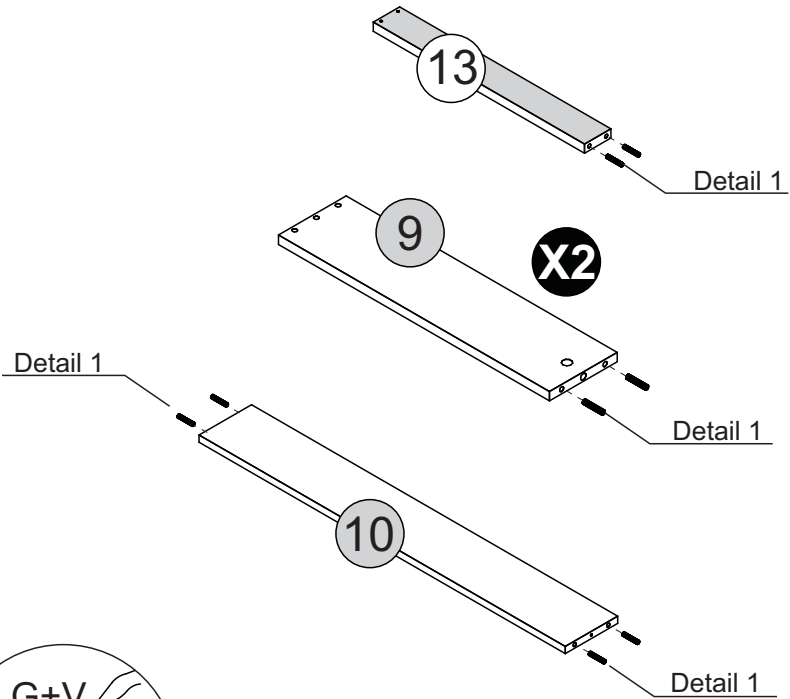
## HARDWARE REQUIRED

G  10  
Ø6,0 x 30mm

V  01  
Glue



Detail 1




# STEP 14

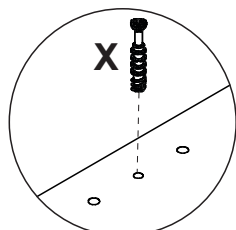
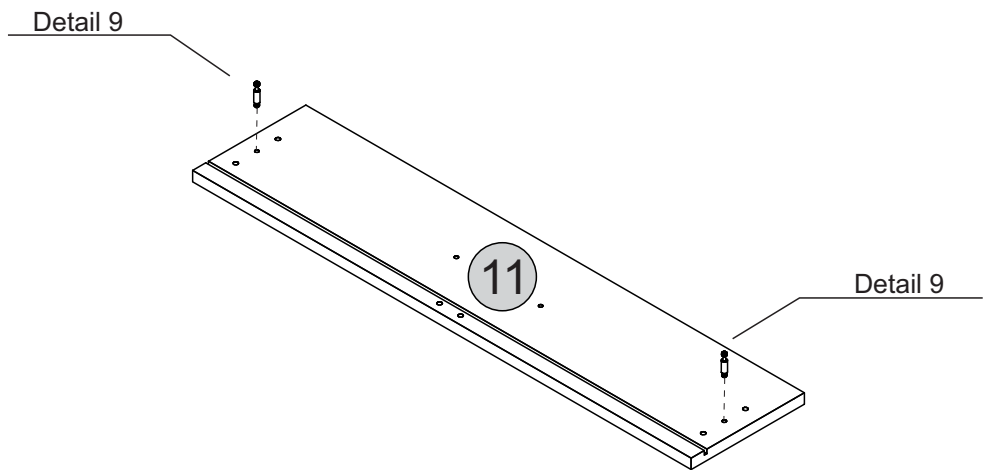
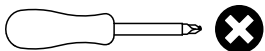
## PARTS REQUIRED

11 - DRAWER FRONT x1

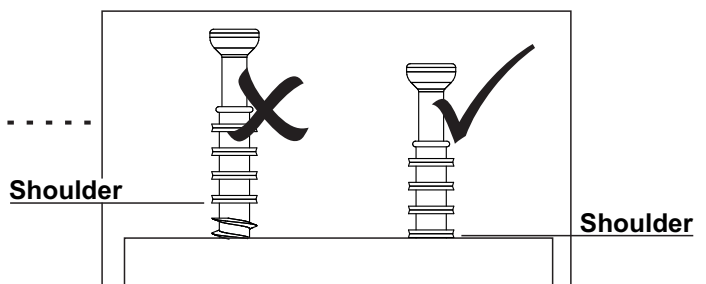
## HARDWARE REQUIRED

X  02

## TOOLS REQUIRED



Detail 9




# STEP 15

## PARTS REQUIRED

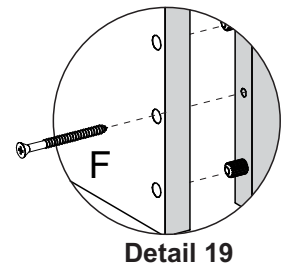
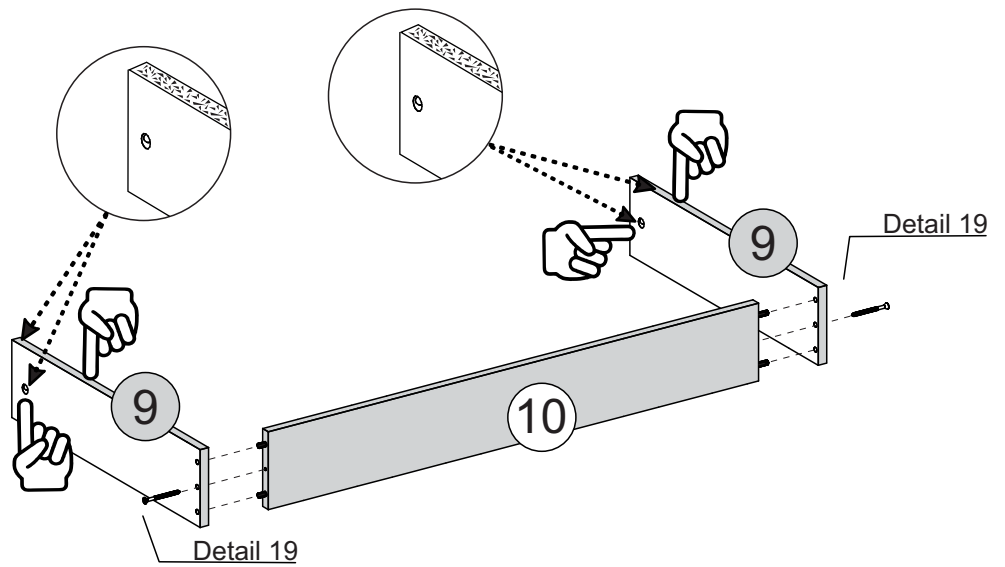
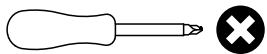
9 - DRAWER SIDE x2

10 - DRAWER BACK PANEL x2

## HARDWARE REQUIRED

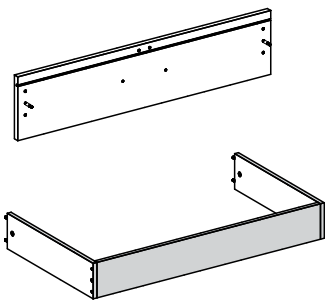
F  02  
Ø4,0 x 50mm

## TOOLS REQUIRED




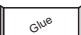
# STEP 16

## PARTS REQUIRED



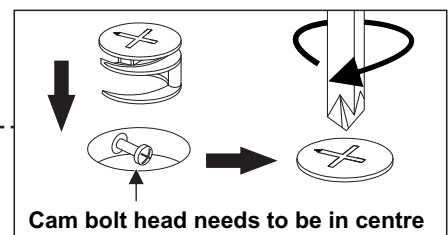
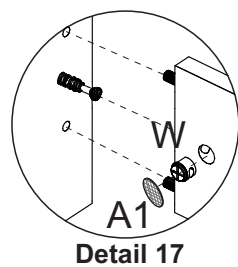
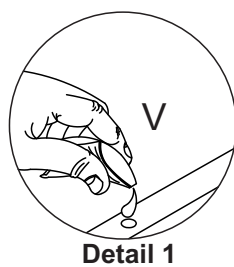
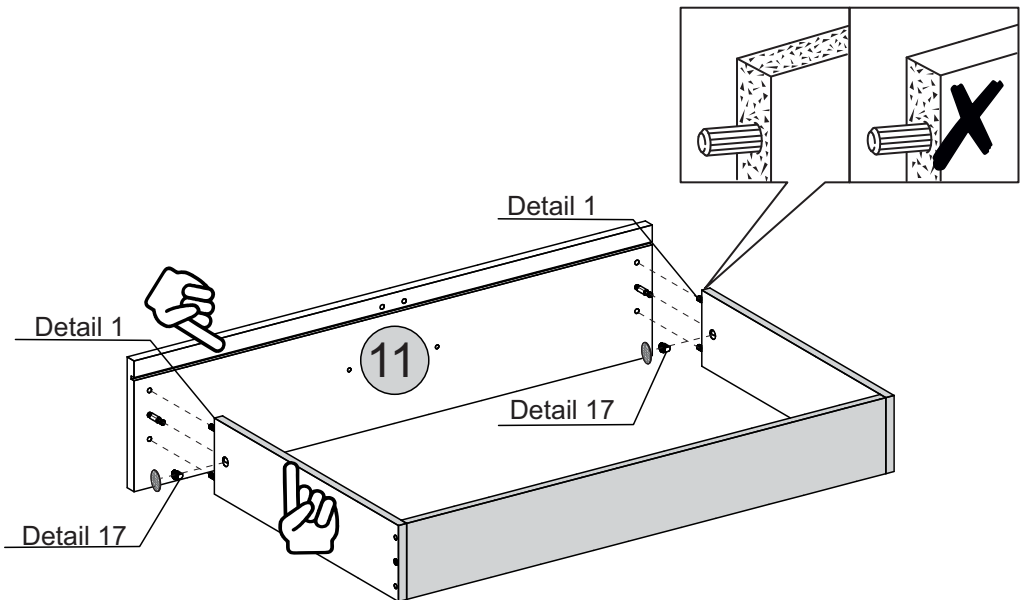
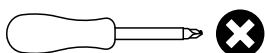
## HARDWARE REQUIRED

A1  02

V  01

W  02

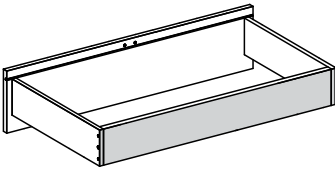
## TOOLS REQUIRED



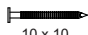
# STEP 17

## PARTS REQUIRED

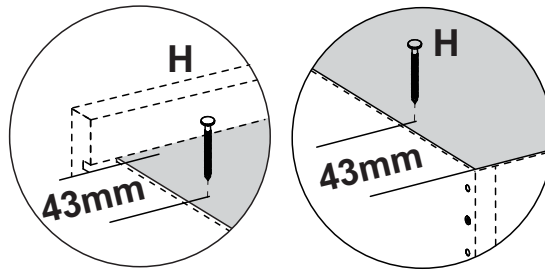
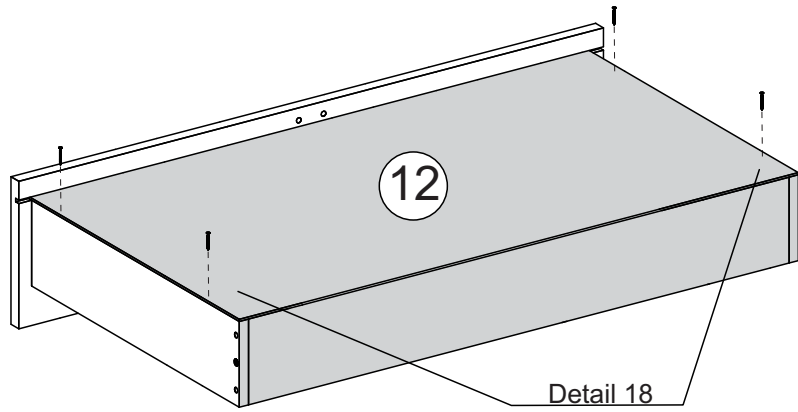
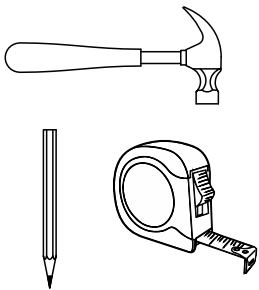
12 - DRAWER BOTTOM x1



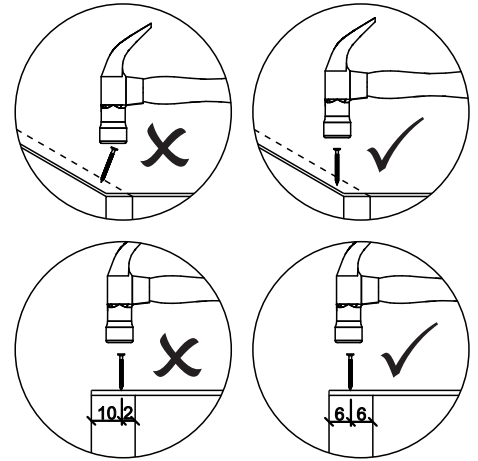
## HARDWARE REQUIRED

H  04  
10 x 10

## TOOLS REQUIRED



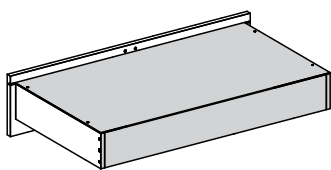
Detail 18



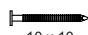
# STEP 18

## PARTS REQUIRED

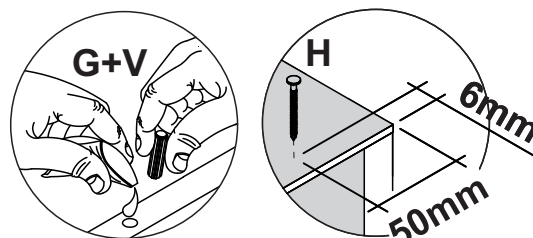
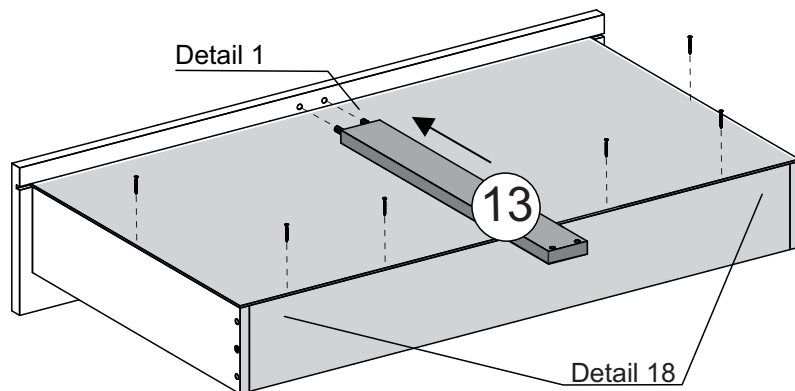
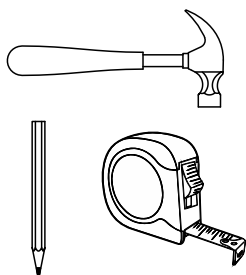
13 - DRAWER BOTTOM SUPPORT BAR x1



## HARDWARE REQUIRED

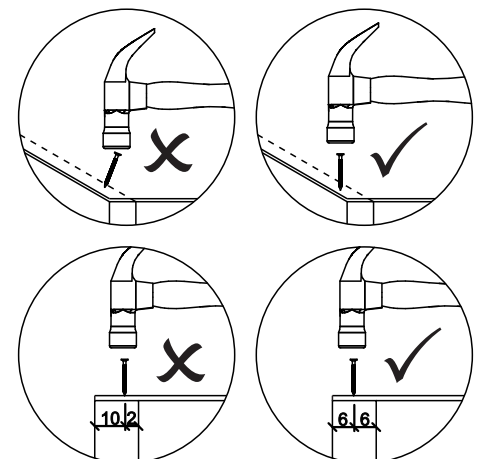
H  06  
10 x 10

## TOOLS REQUIRED



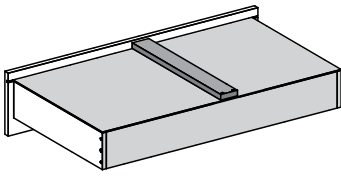
Detail 1

Detail 18

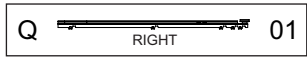
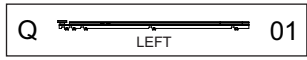
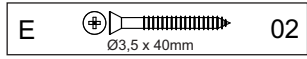
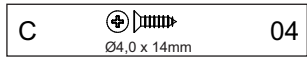


# STEP 19

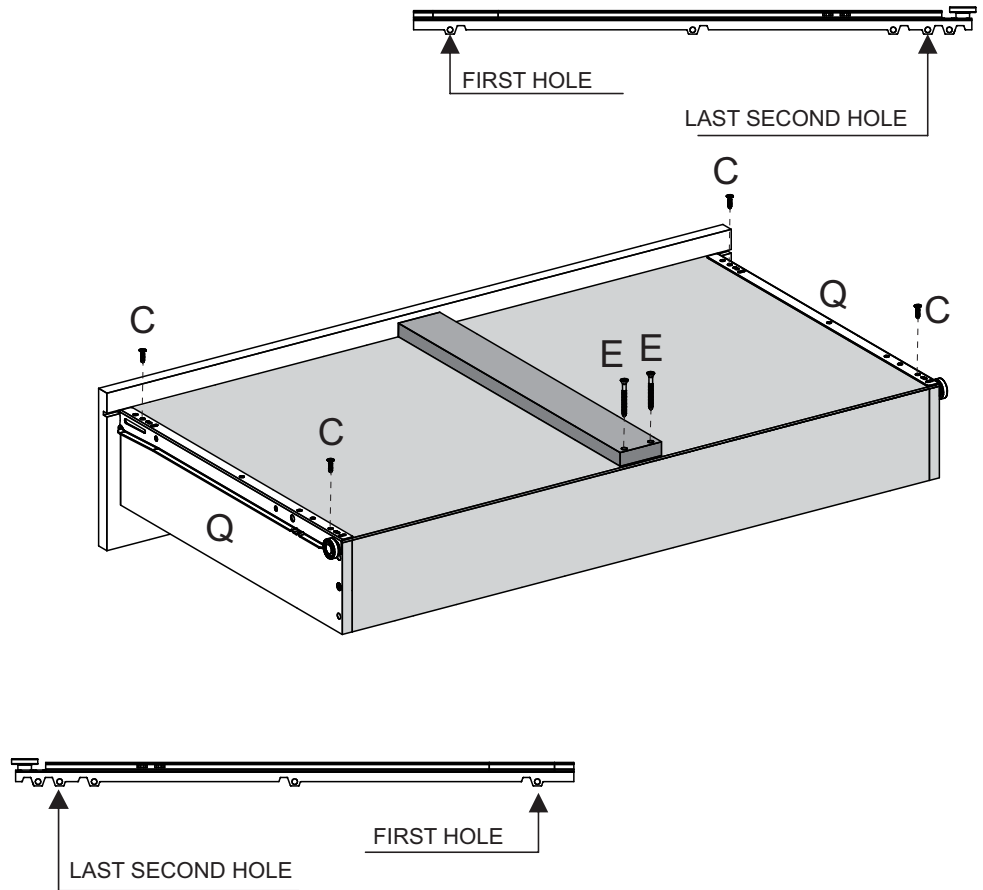
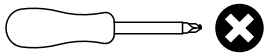
## PARTS REQUIRED



## HARDWARE REQUIRED



## TOOLS REQUIRED

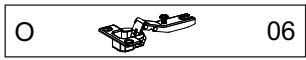
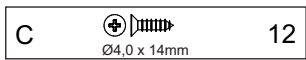


# STEP 20

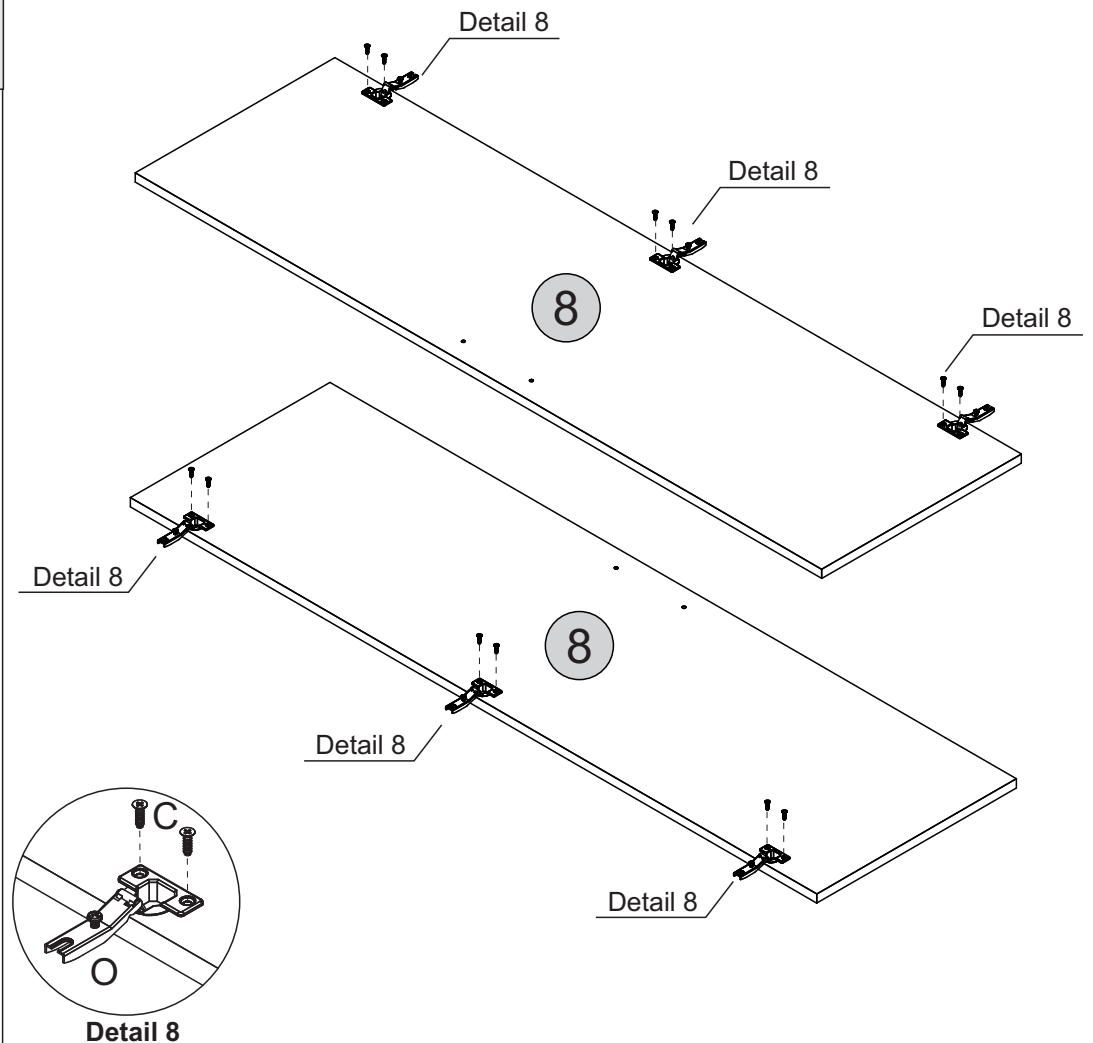
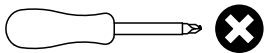
## PARTS REQUIRED



## HARDWARE REQUIRED



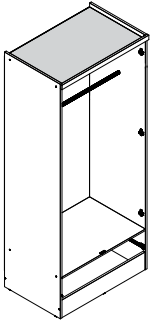
## TOOLS REQUIRED



# STEP 21

## PARTS REQUIRED

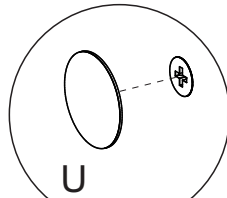
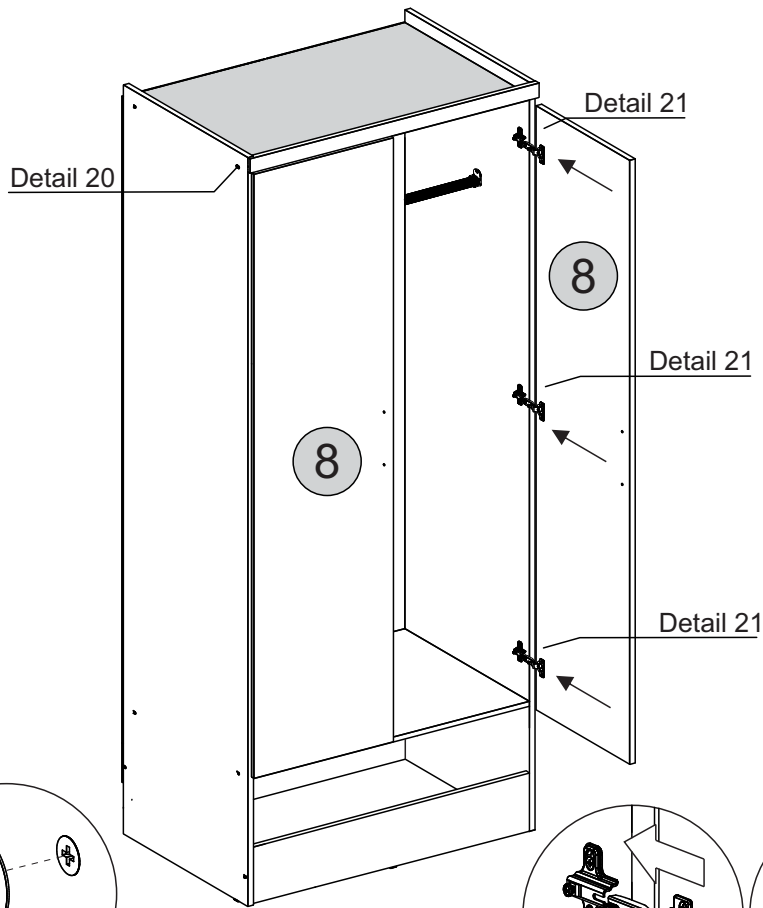
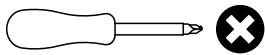
8 - DOOR x2



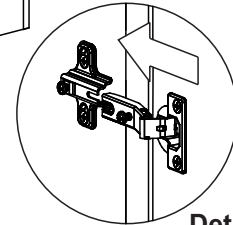
## HARDWARE REQUIRED

U  12

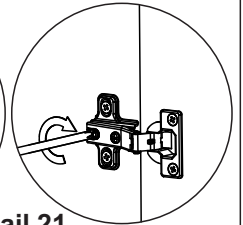
## TOOLS REQUIRED



Detail 20

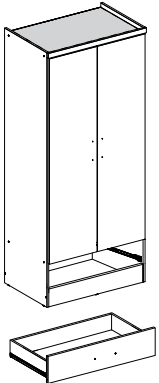


Detail 21





# STEP 22

## PARTS REQUIRED

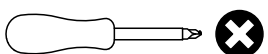


## HARDWARE REQUIRED

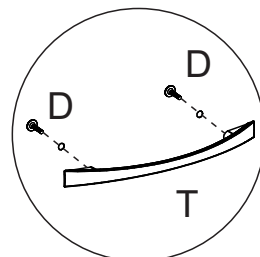
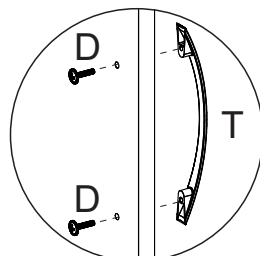
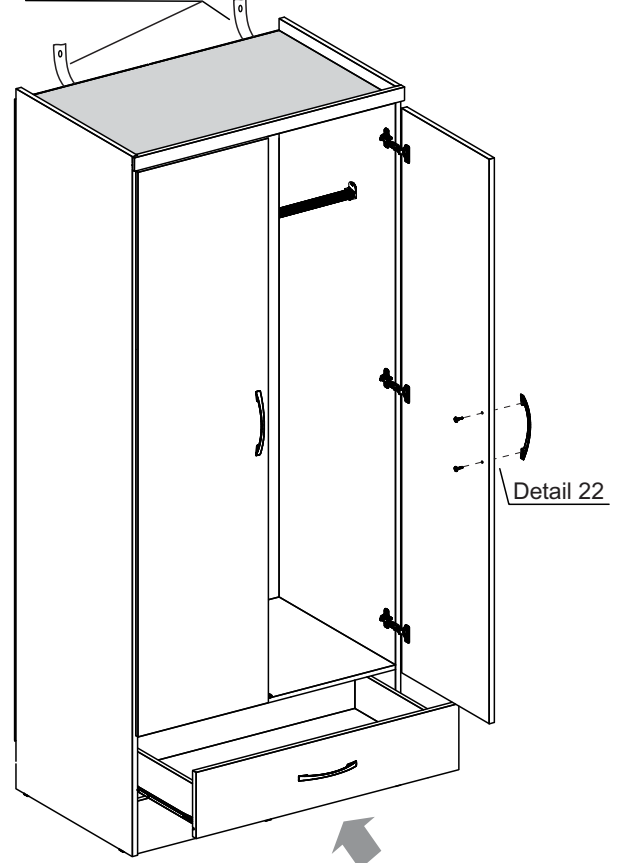
D  06  
Ø4,0 x 20mm

T  03

## TOOLS REQUIRED



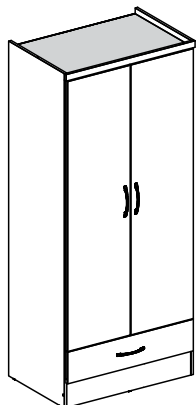
 See the last page



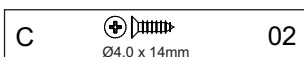
Detail 22

# STEP 23

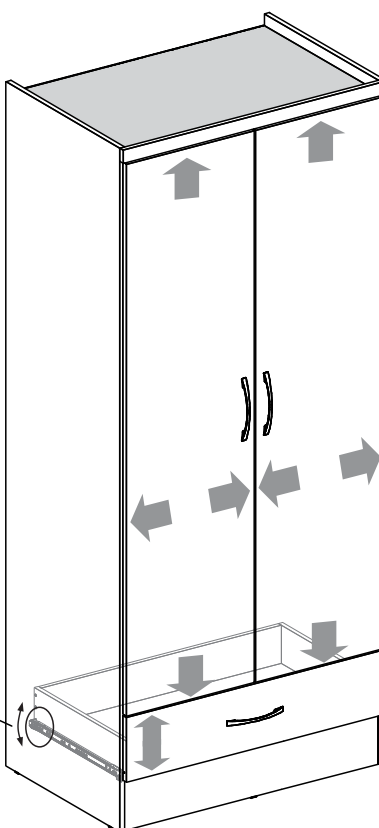
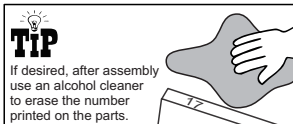
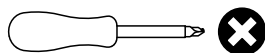
## PARTS REQUIRED



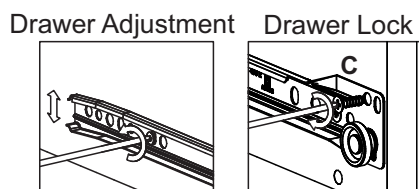
## HARDWARE REQUIRED



## TOOLS REQUIRED

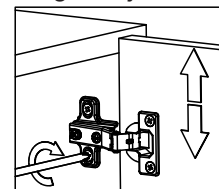


Detail 23

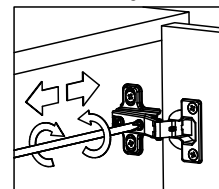


Detail 23

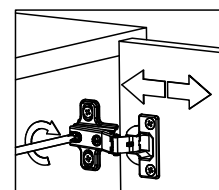
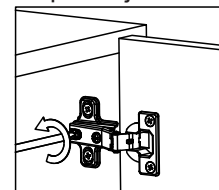
## Height Adjustment



## Internal Adjustment



## Depth Adjustment

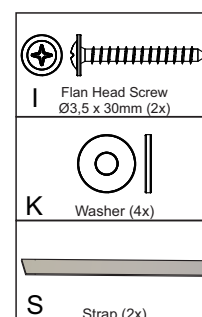
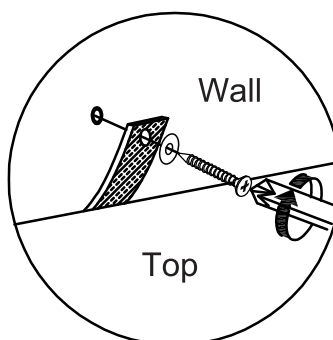
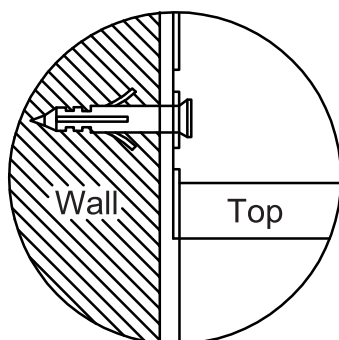
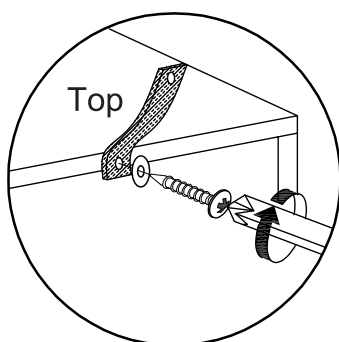


# WARNING

**Serious or fatal injuries can occur from furniture tipping over. To prevent the furniture from tipping over we recommend that it is permanently fixed to the wall.**

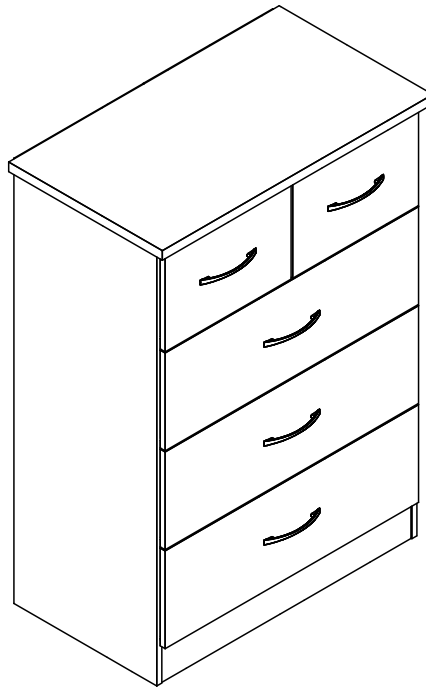
Wall fixings are not supplied with this product as different wall materials require different types of fixing devices.

Please make sure you use fixings suitable for the walls in your home.



# 3+2 DRAWER CHEST

## ASSEMBLY INSTRUCTIONS



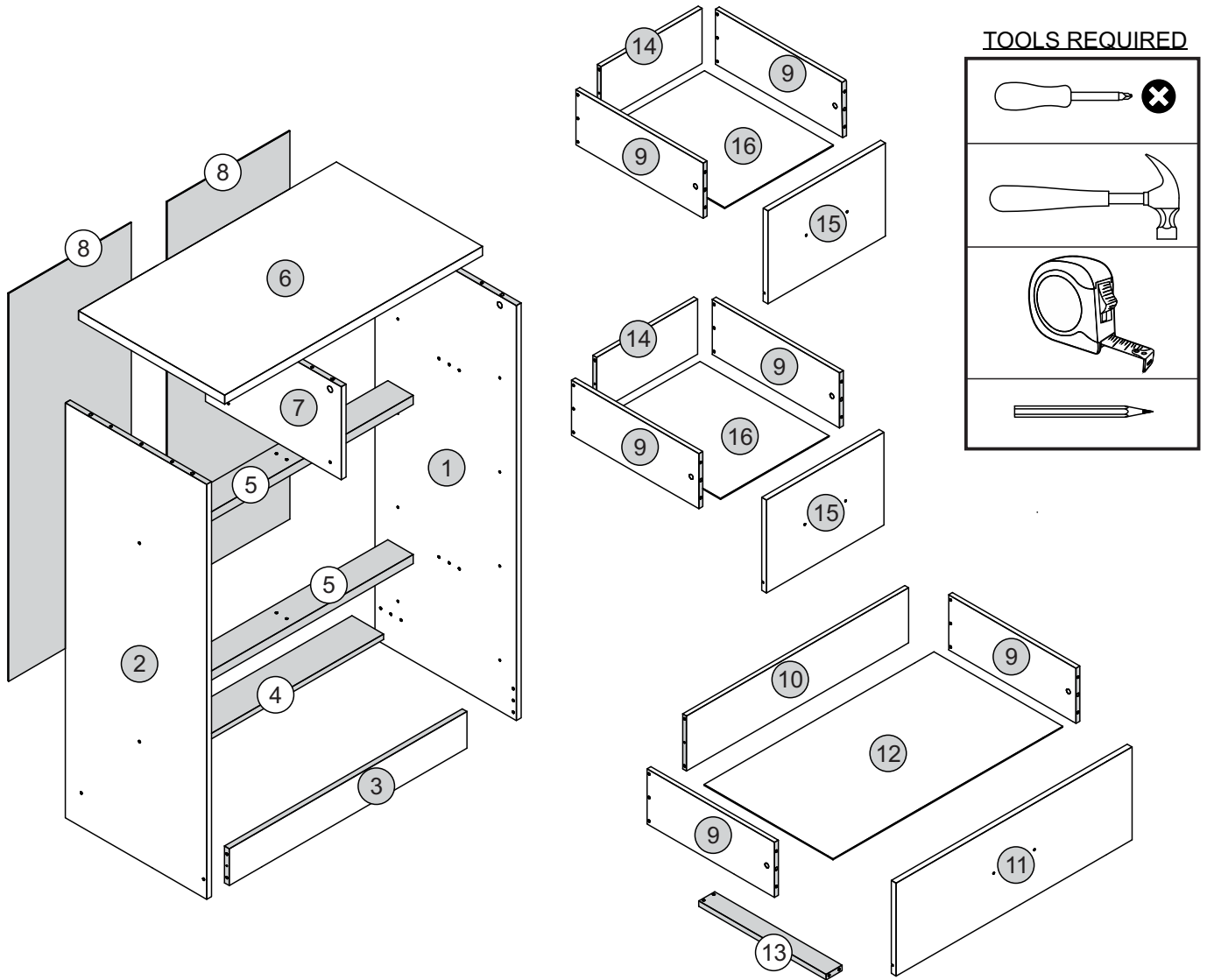
### **IMPORTANT FOR DOMESTIC USE ONLY**

**PLEASE READ BEFORE YOU CONTINUE FURTHER**

## **CARE AND MAINTENANCE**

After unpacking this product please keep the original packaging in case it needs to be returned for any reason.

- Please ensure all fittings and parts are present before commencing with assembly.
- Never drag or push products as this could cause damage to the joints making it inferior.
- We strongly recommend that you keep children away from your work area.
- We recommend that you lay a blanket or sheet on the floor to avoid damage to both your floor and the product.
- Assemble this product as close to its final position as possible.
- Do not place this product next to a radiator or in direct sunlight.
- Do not drag or push items across your high gloss furniture as this may cause the surface to scratch
- Wood is a natural product and may expand if subjected to damp and may shrink or crack if subjected to heat. Therefore it is recommended that room temperature is maintained, with no sudden temperature fluctuations.
- Make sure any spillage is wiped off immediately.
- Do not place hot or chilled items directly on to the surface, use a place mat or marking will occur.
- For general cleaning use a soft cotton or micro fibre cloth, and do not use detergents of any kind.
- From time to time it may be necessary to tighten fittings, regular inspections should be carried out.
- Do not place on a wet or damp floor as staining may occur to your floor.



## PARTS LIST

***Please Note:***

The below parts have all been stamped with the part number to help identify them during assembly.

Part Number	Part Description	Quantity	Carton
01	Right Side Panel	1	1/2
02	Left Side Panel	1	1/2
03	Front Baseboard	1	1/2
04	Back Baseboard	1	1/2
05	Crossbar	2	2/2
06	Top Panel	1	2/2
07	Division Panel	1	1/2
08	Back Panel	1	1/2
09	Drawer Side	10	1/2
10	Large Drawer Back Panel	3	1/2
11	Large Drawer Front	3	2/2
12	Large Drawer Bottom	3	2/2
13	Drawer Bottom Support Bar	3	1/2
14	Small Drawer Back Panel	2	1/2
15	Small Drawer Front	2	2/2
16	Small Drawer Bottom	2	1/2

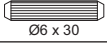


# STEP 1

## PARTS REQUIRED

2 - LEFT SIDE PANEL x1

## HARDWARE REQUIRED

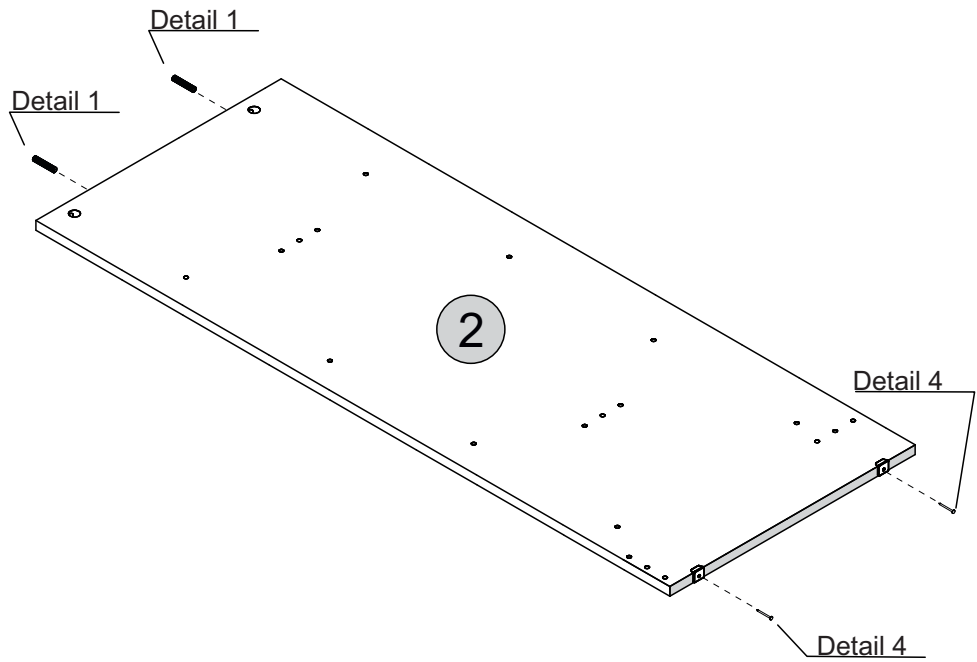
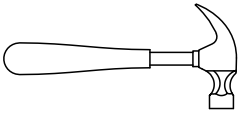
G  02  
Ø6 x 30

H  02  
10 x 10

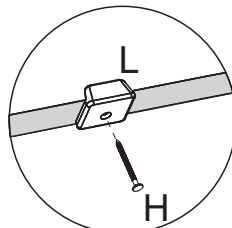
L  02

P  01  
GLUE

## TOOLS REQUIRED



Detail 1



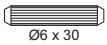
Detail 4

# STEP 2

## PARTS REQUIRED


1 - RIGHT SIDE PANEL x1

## HARDWARE REQUIRED

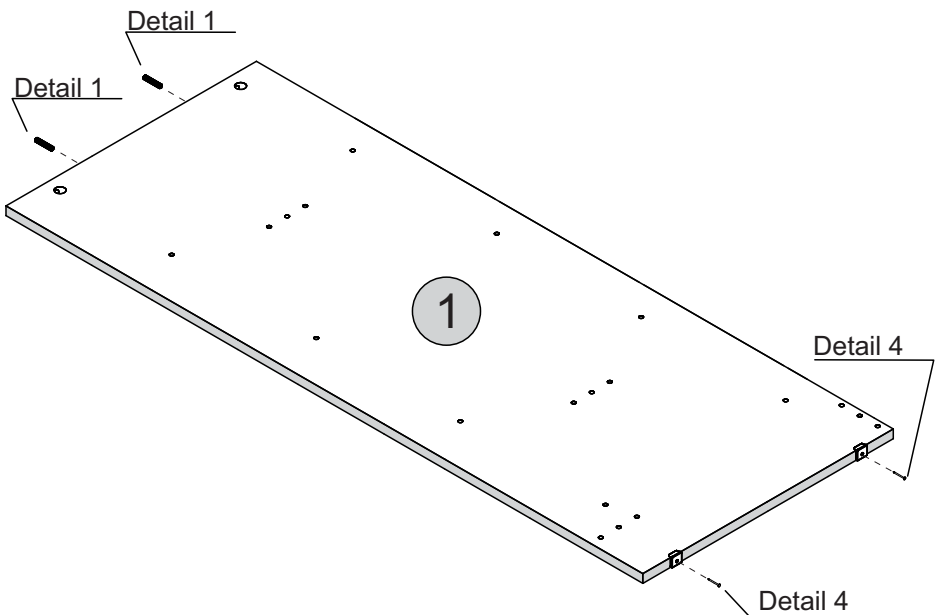
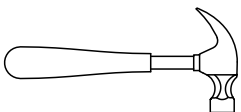
G  02  
Ø6 x 30

H  02  
10 x 10

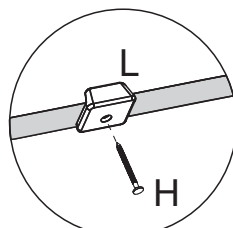
L  02

P  01  
GLUE

## TOOLS REQUIRED



Detail 1




Detail 4

# STEP 3

## PARTS REQUIRED

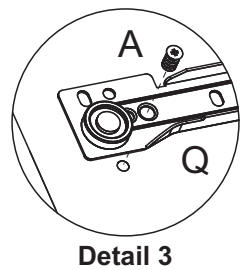
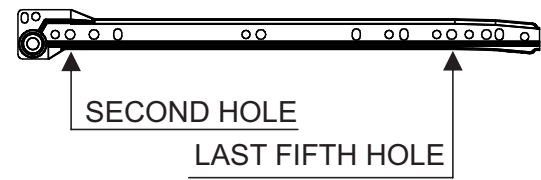
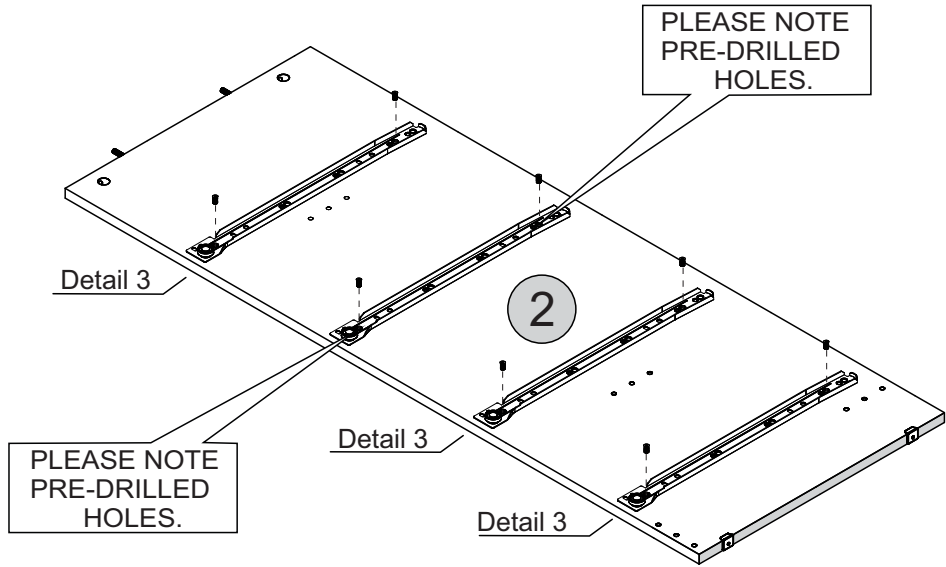
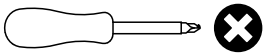
2 - LEFT SIDE PANEL x1

## HARDWARE REQUIRED

A  08  
Ø6 x 10

Q  04  
LEFT

## TOOLS REQUIRED




# STEP 4

## PARTS REQUIRED

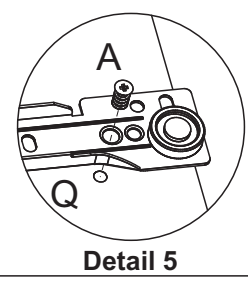
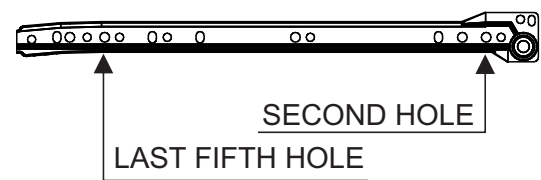
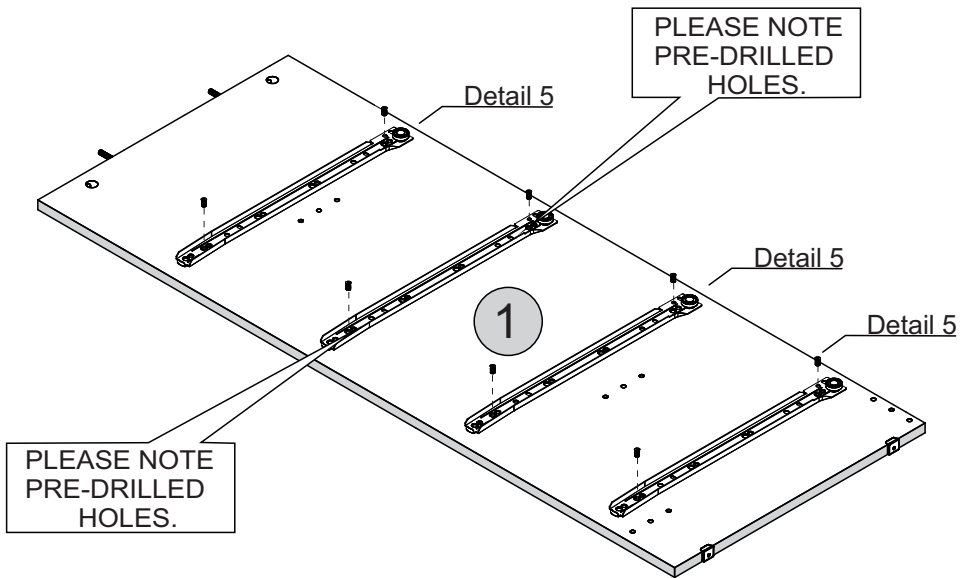
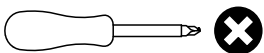
1 - RIGHT SIDE PANEL x1

## HARDWARE REQUIRED

A  08  
Ø6 x 10

Q  04  
RIGHT

## TOOLS REQUIRED



# STEP 5

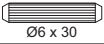
## PARTS REQUIRED

3 - FRONT BASEBOARD x1

4 - BACK BASEBOARD x1

5 - CROSSBAR x2

## HARDWARE REQUIRED

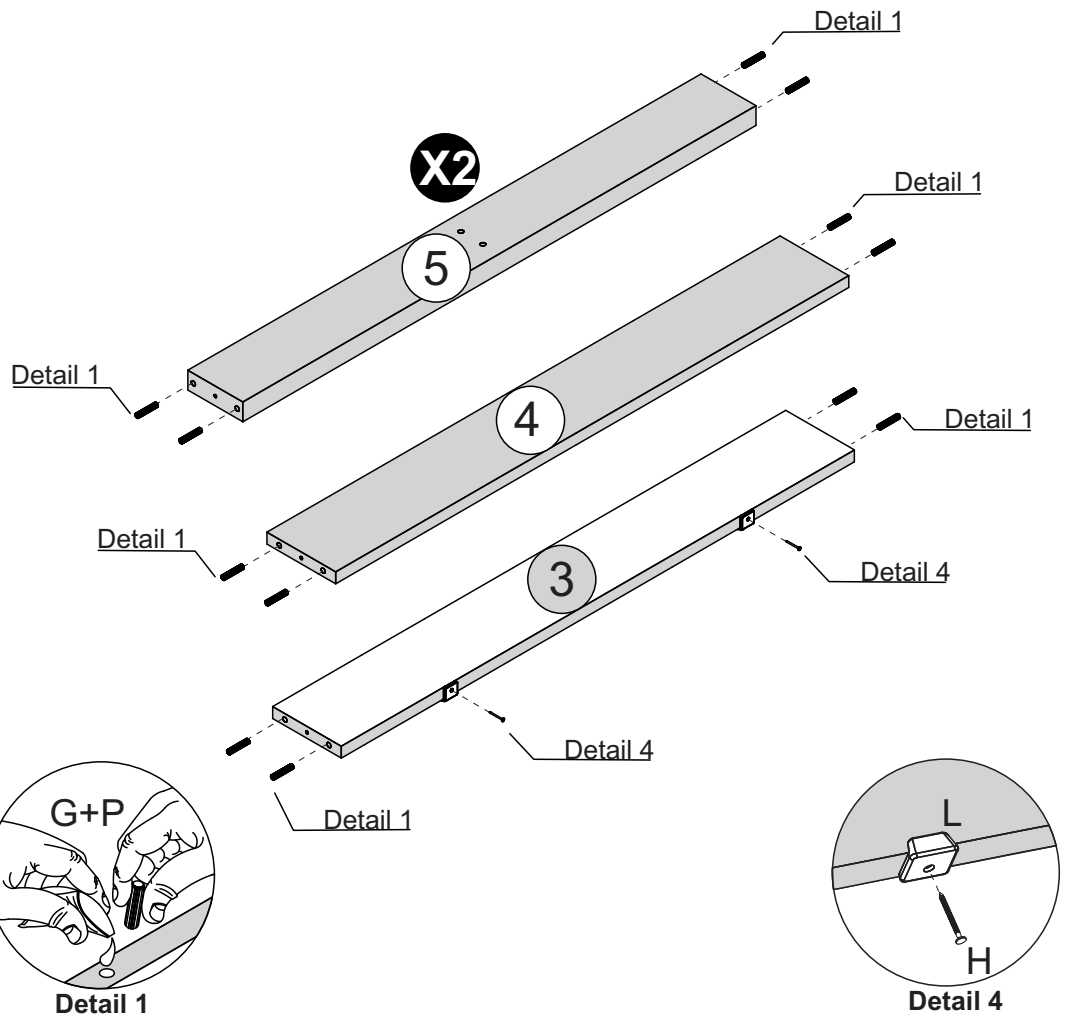
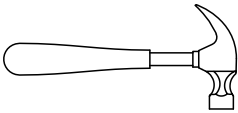
G  16  
Ø6 x 30

H  02  
10 x 10

L  02

P  01  
GLUE

## TOOLS REQUIRED

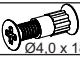


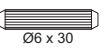
# STEP 6

## PARTS REQUIRED

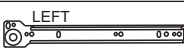
7 - DIVISION PANEL x1

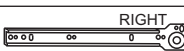
## HARDWARE REQUIRED

B  02  
Ø4,0 x 18mm

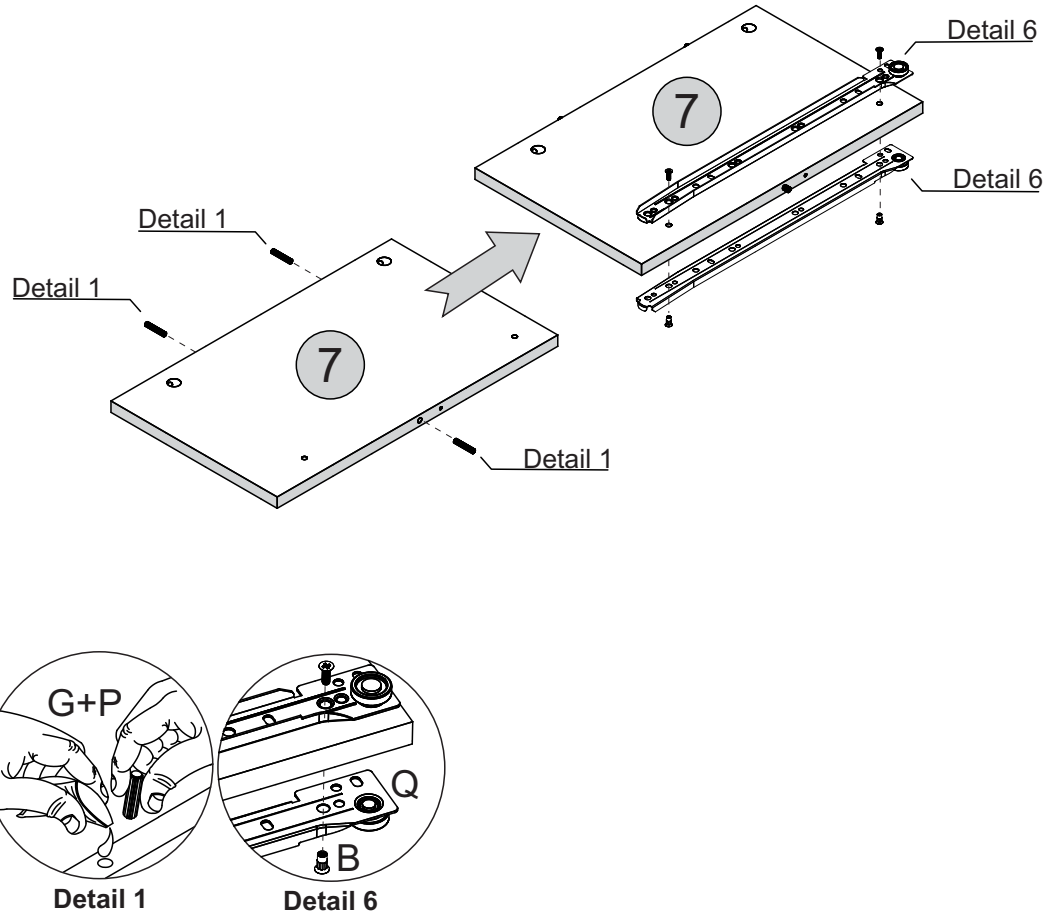
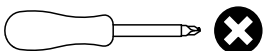
G  03  
Ø6 x 30

P  01  
GLUE

Q  01  
LEFT

Q  01  
RIGHT

## TOOLS REQUIRED





# STEP 7

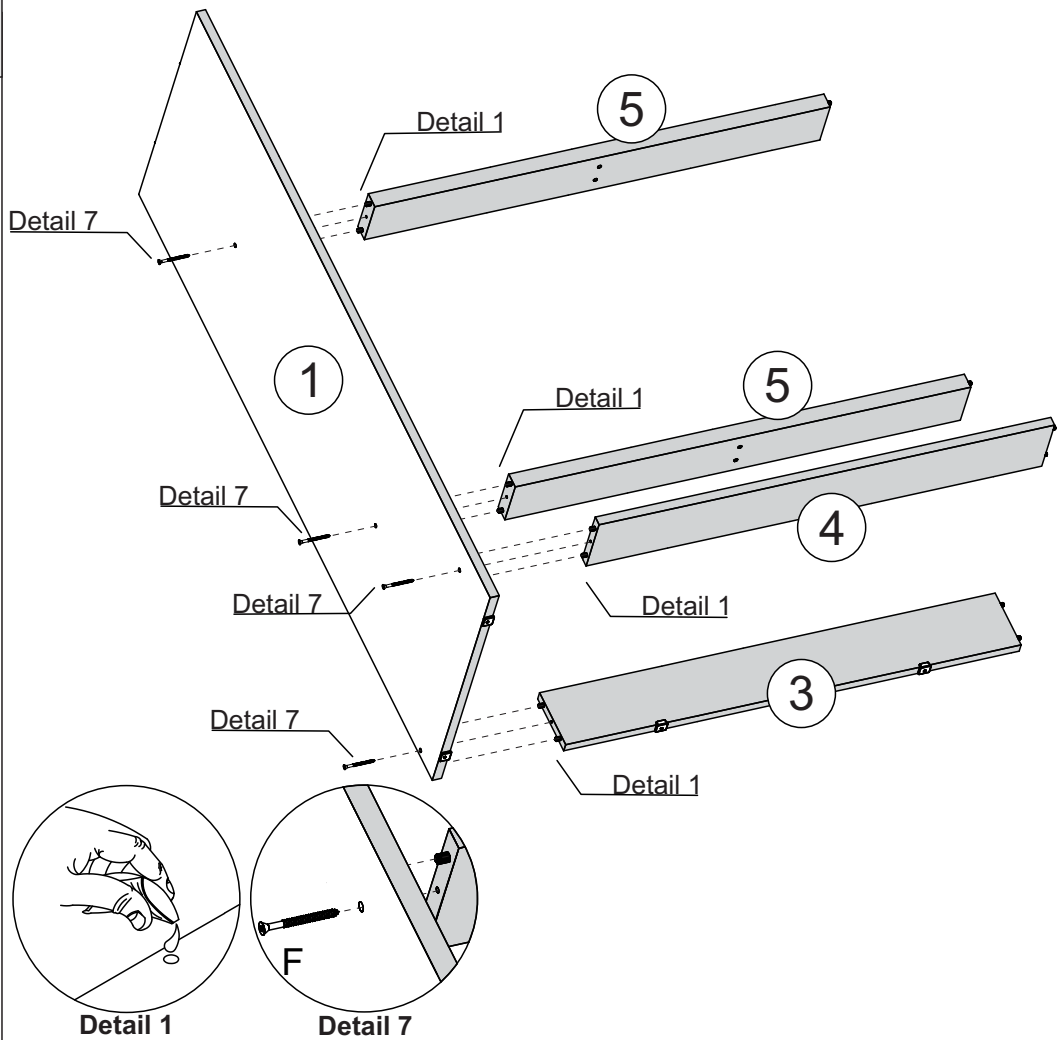
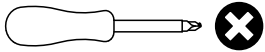
## PARTS REQUIRED

- 1 - RIGHT SIDE PANEL x1
- 3 - FRONT BASEBOARD x1
- 4 - BACK BASEBOARD x1
- 5 - CROSSBAR x2

## HARDWARE REQUIRED

- F  04  
Ø4 x 50
- P  01  
GLUE

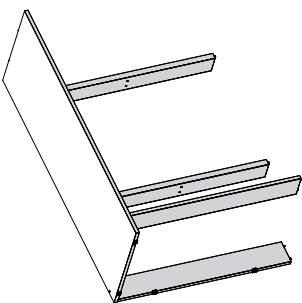
## TOOLS REQUIRED





# STEP 8

## PARTS REQUIRED

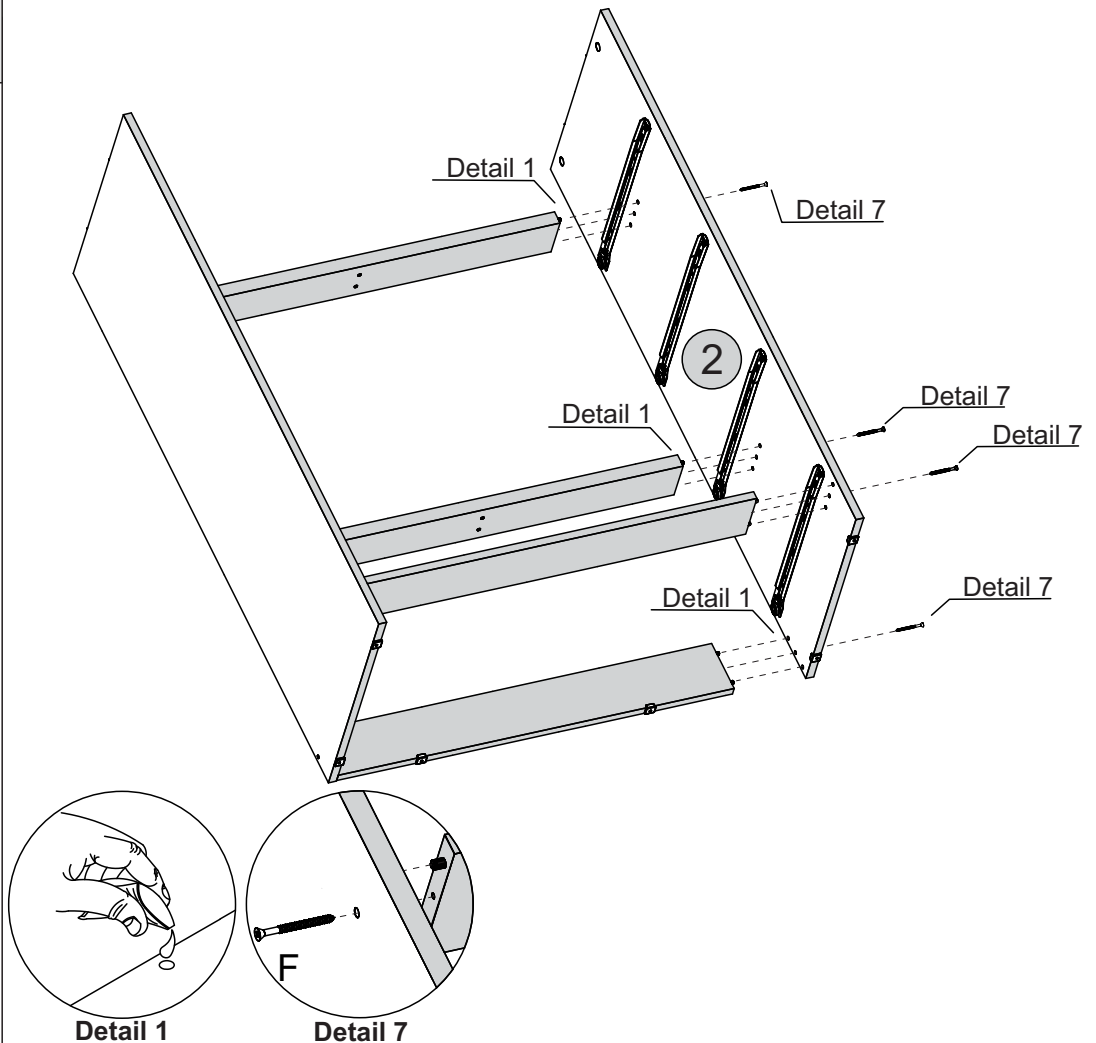
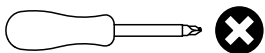
- 2 - LEFT SIDE PANEL x1



## HARDWARE REQUIRED

- F  04  
Ø4 x 50
- P  01  
GLUE

## TOOLS REQUIRED

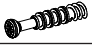


# STEP 9

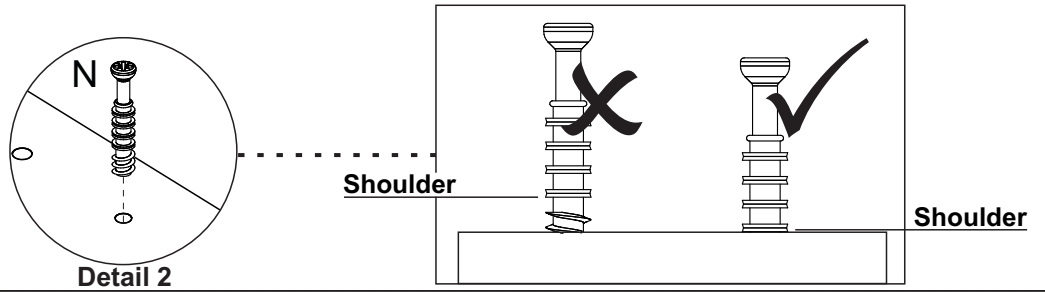
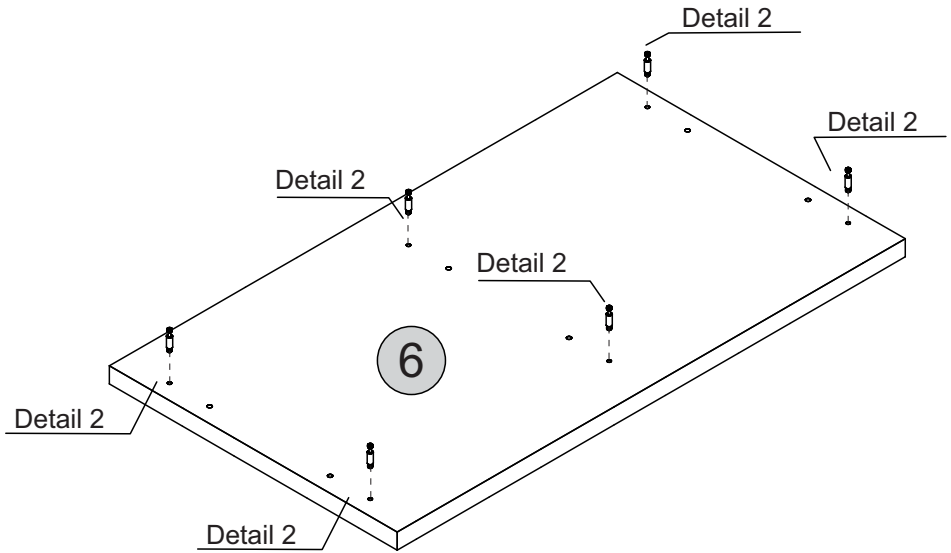
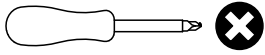
## PARTS REQUIRED

6 - TOP PANEL x1

## HARDWARE REQUIRED

N  06

## TOOLS REQUIRED



# STEP 10

## PARTS REQUIRED

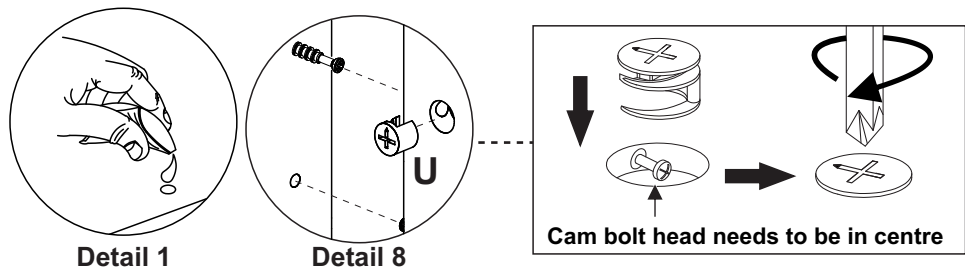
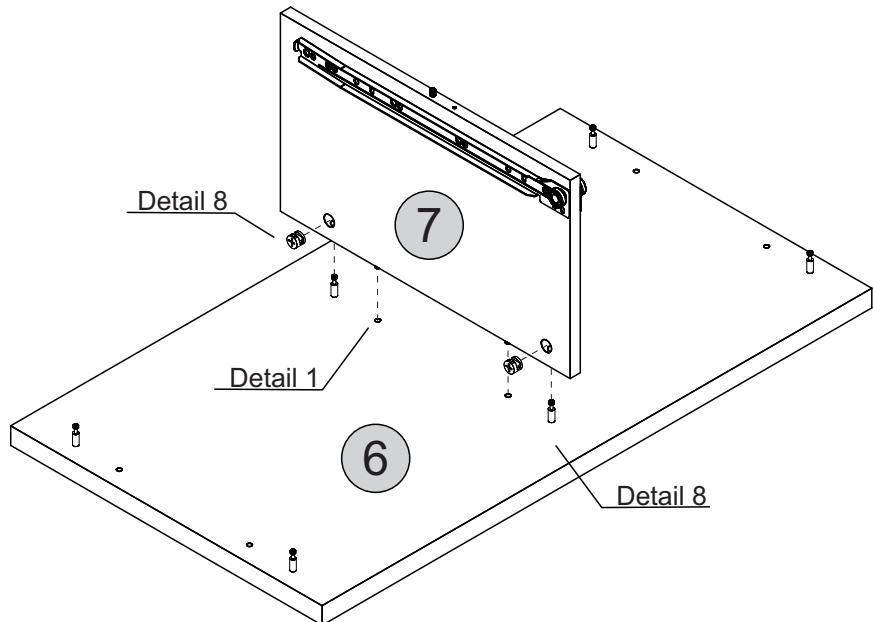
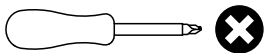
6 - TOP PANEL x1

7 - DIVISION PANEL x1

## HARDWARE REQUIRED

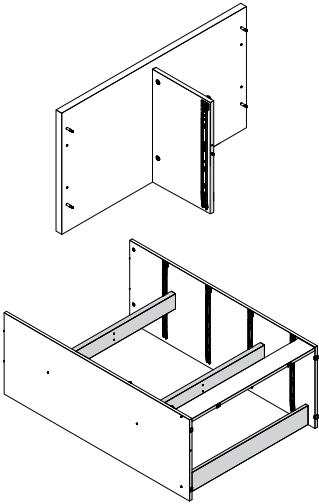
U  02

## TOOLS REQUIRED



# STEP 11

## PARTS REQUIRED



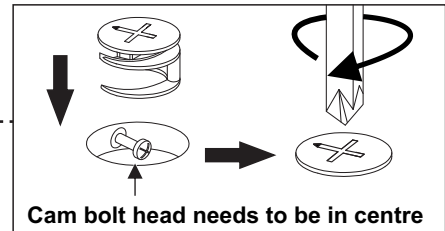
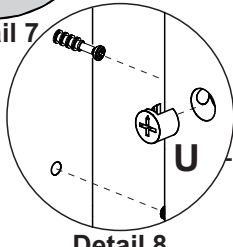
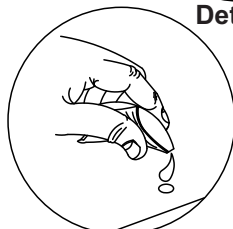
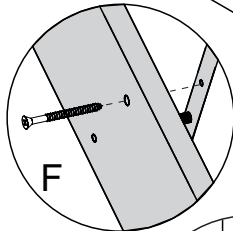
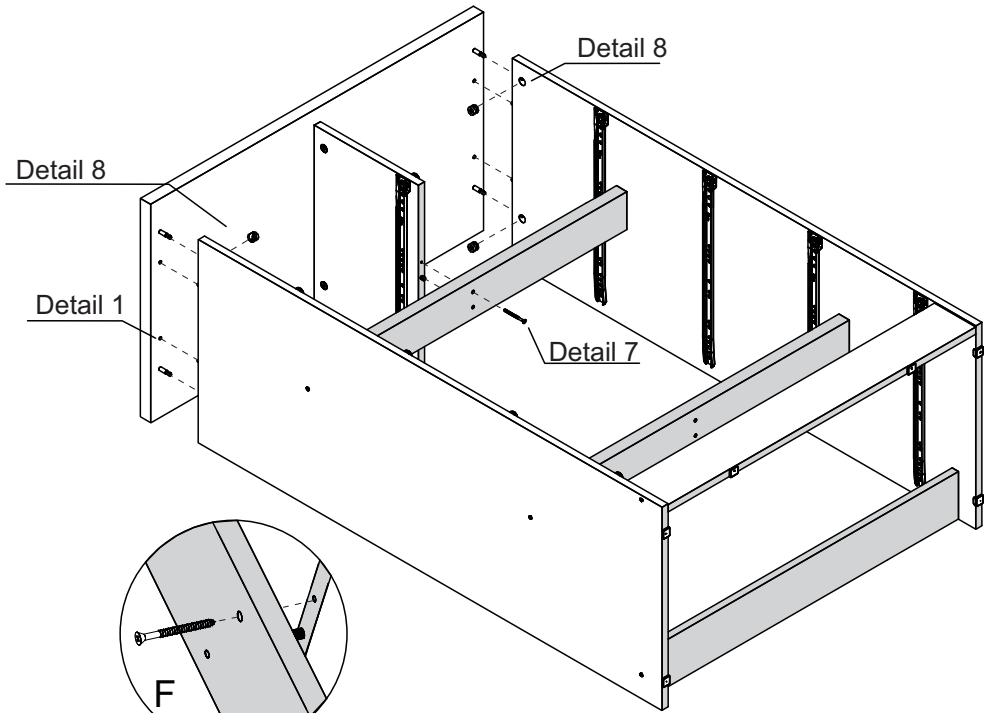
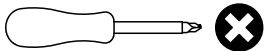
## HARDWARE REQUIRED

F  01  
Ø4 x 50

P  01  
GLUE

U  04

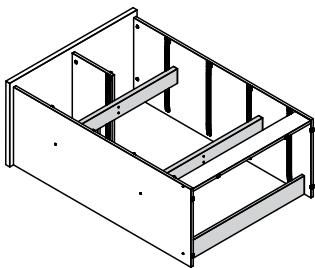
## TOOLS REQUIRED



# STEP 12

## PARTS REQUIRED

8 - BACK PANEL x2



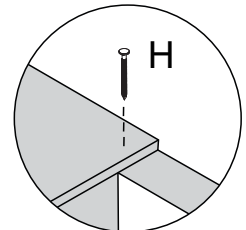
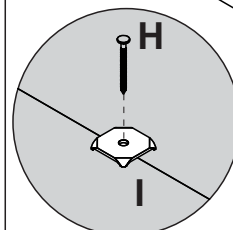
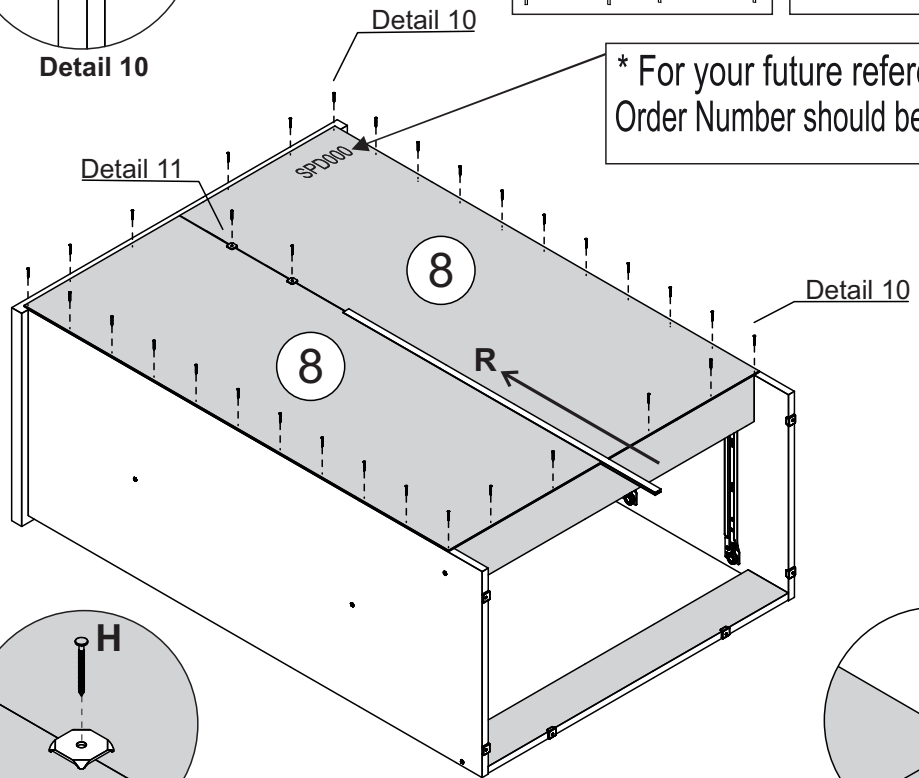
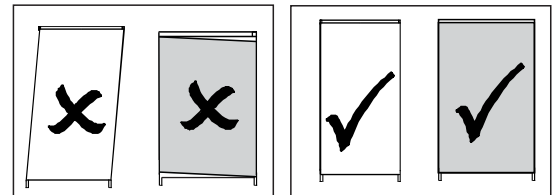
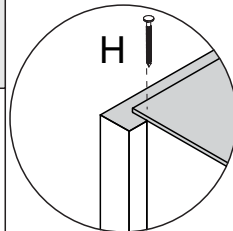
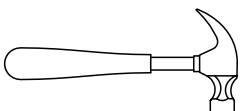
## HARDWARE REQUIRED

H  32

I  02

R  01

## TOOLS REQUIRED



Detail 11

Detail 10

# STEP 13

## PARTS REQUIRED

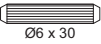
9 - DRAWER SIDE x10

10 - LARGE DRAWER BACK PANEL x3

13 - DRAWER BOTTOM SUPPORT BAR x3

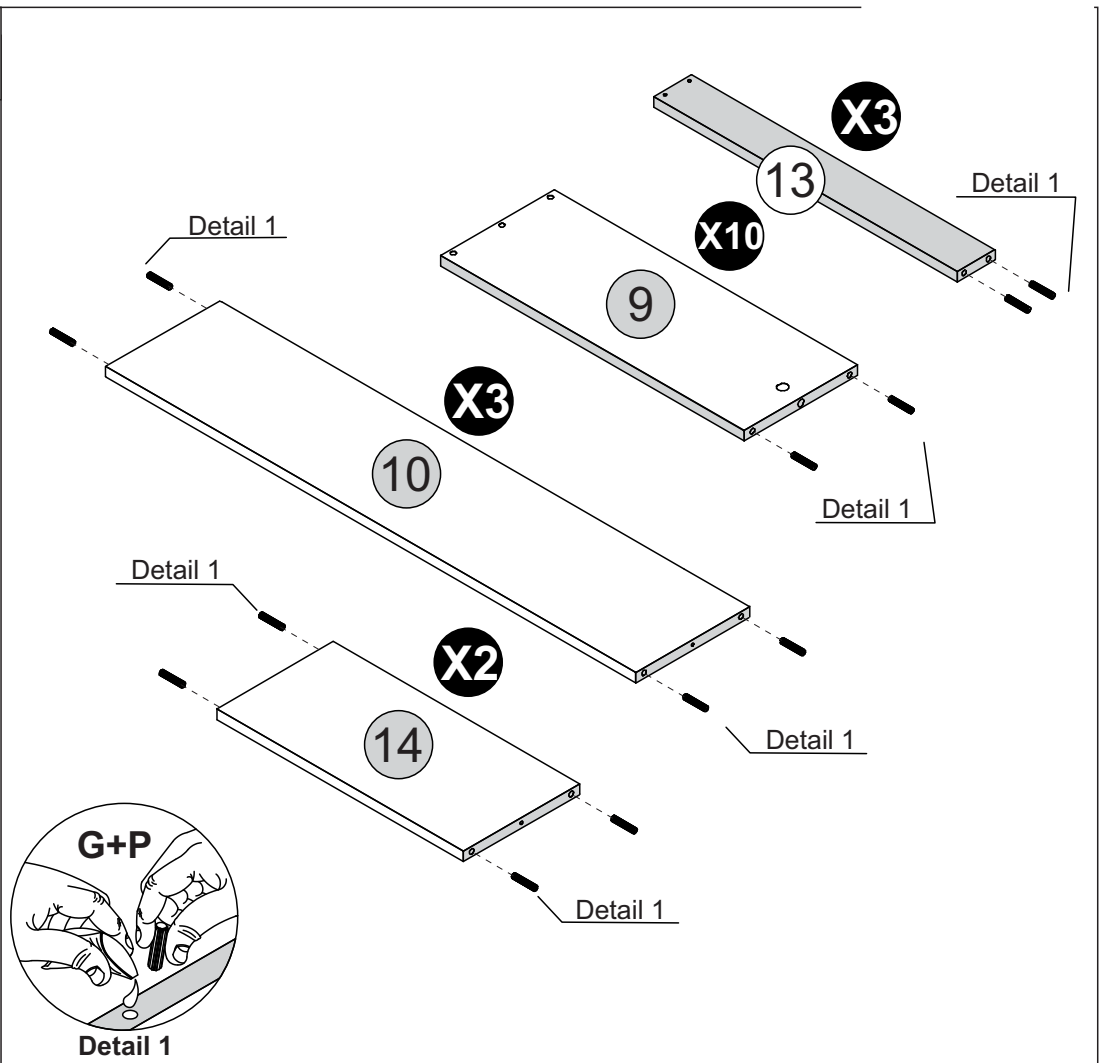
14 - SMALL DRAWER BACK PANEL x2

## HARDWARE REQUIRED

G  46

P  01

## TOOLS REQUIRED



# STEP 14

## PARTS REQUIRED

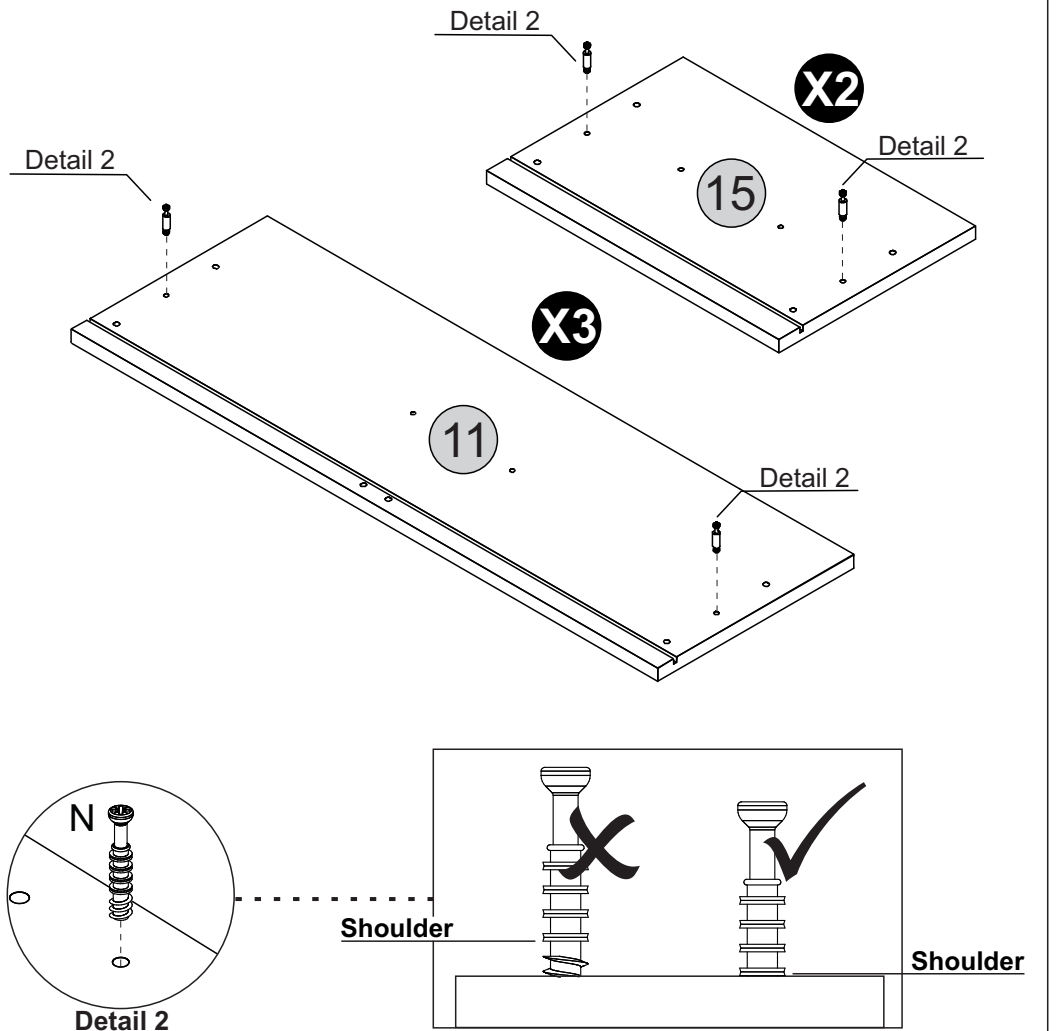
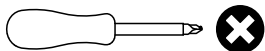
11 - LARGE DRAWER FRONT x3

15 - SMALL DRAWER FRONT x2

## HARDWARE REQUIRED

N  10

## TOOLS REQUIRED



# STEP 15

## PARTS REQUIRED

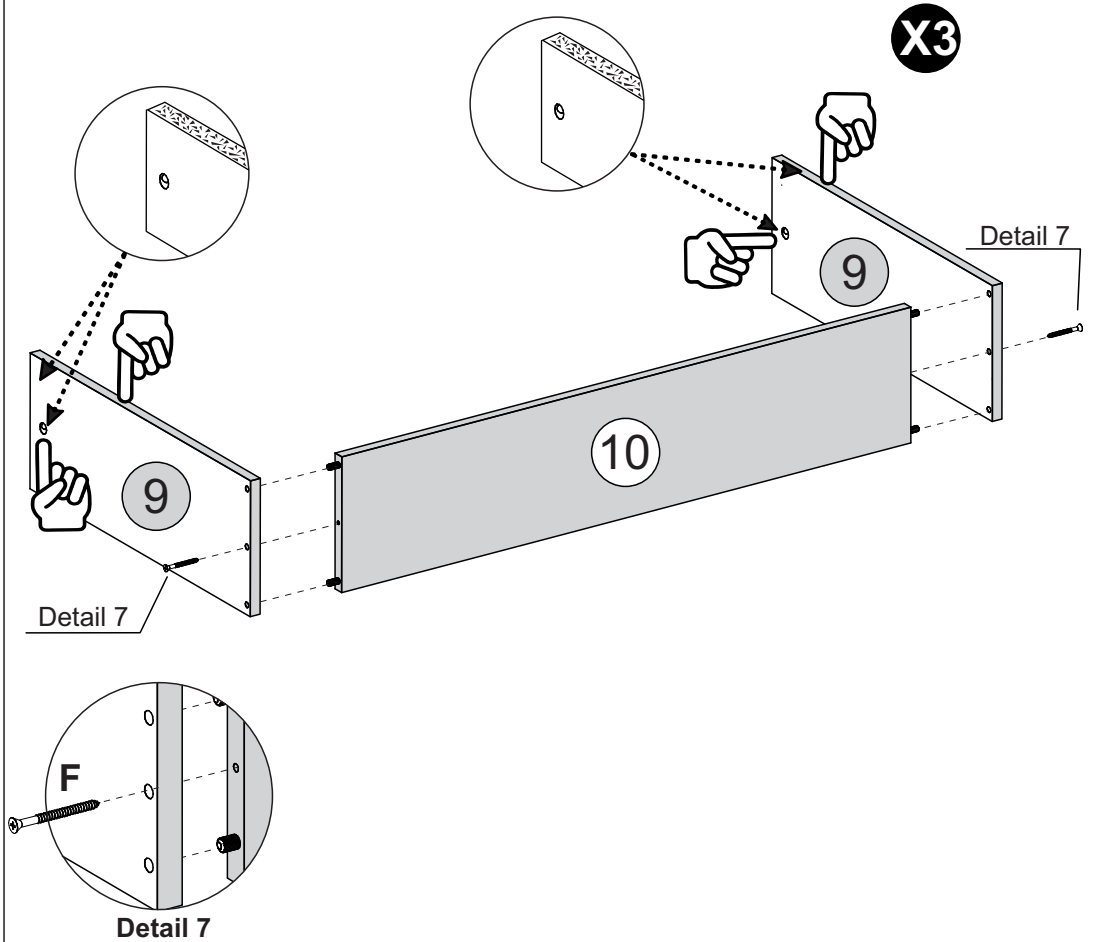
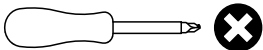
9 - DRAWER SIDE x6

10 - LARGE DRAWER BACK PANEL x3

## HARDWARE REQUIRED

F  06  
Ø4 x 50

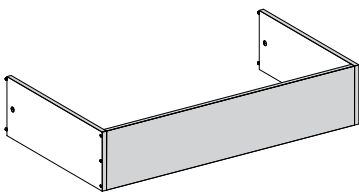
## TOOLS REQUIRED



# STEP 16

## PARTS REQUIRED

11 - LARGE DRAWER FRONT x3

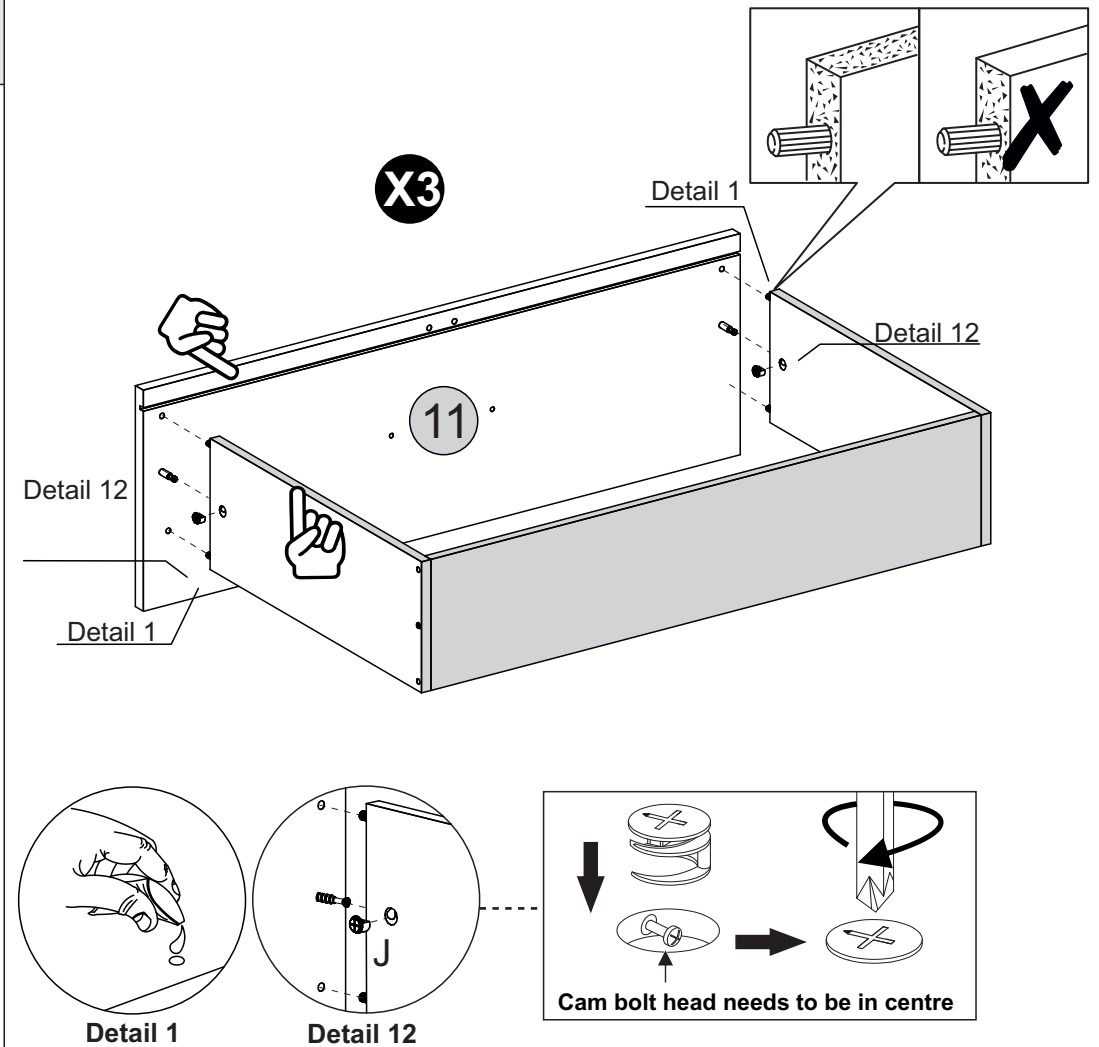
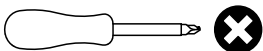


## HARDWARE REQUIRED

J  06

P  01  
GLUE

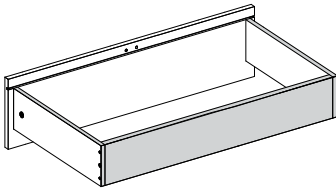
## TOOLS REQUIRED



# STEP 17

## PARTS REQUIRED

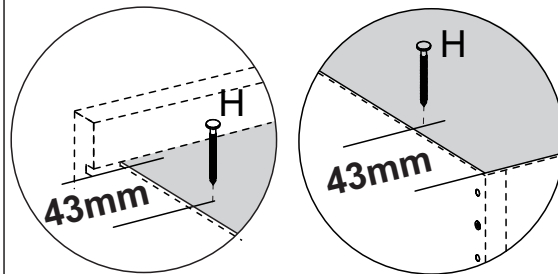
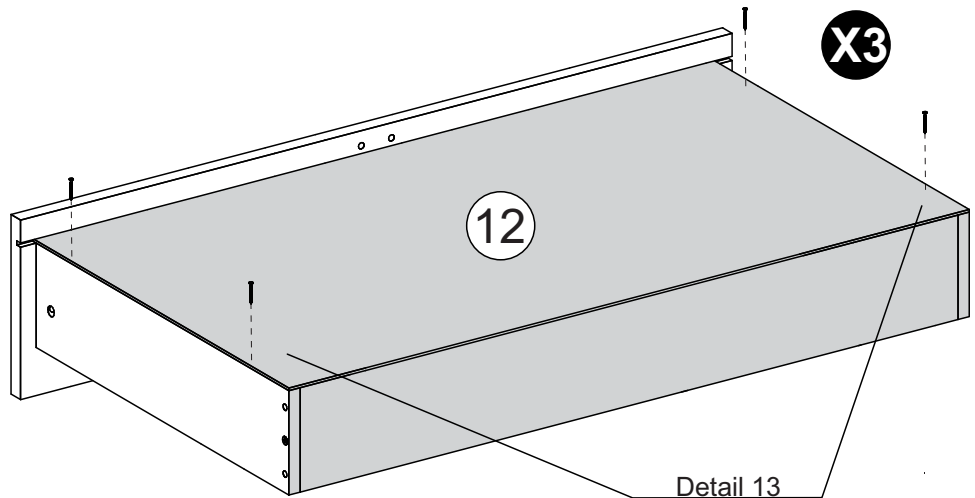
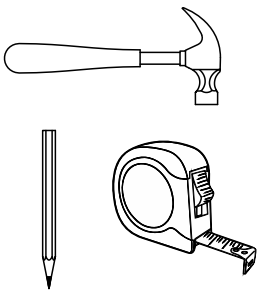
12 - LARGE DRAWER BOTTOM x3



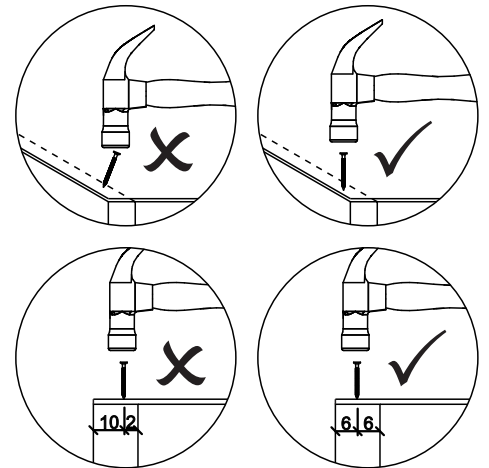
## HARDWARE REQUIRED



## TOOLS REQUIRED



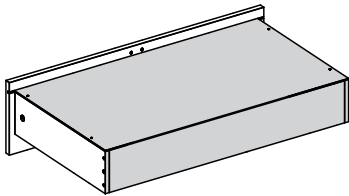
Detail 13



# STEP 18

## PARTS REQUIRED

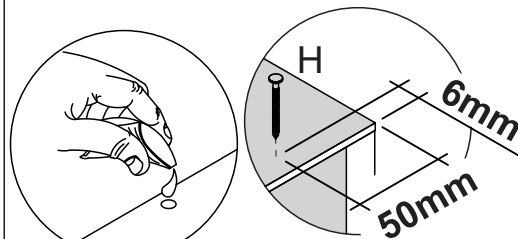
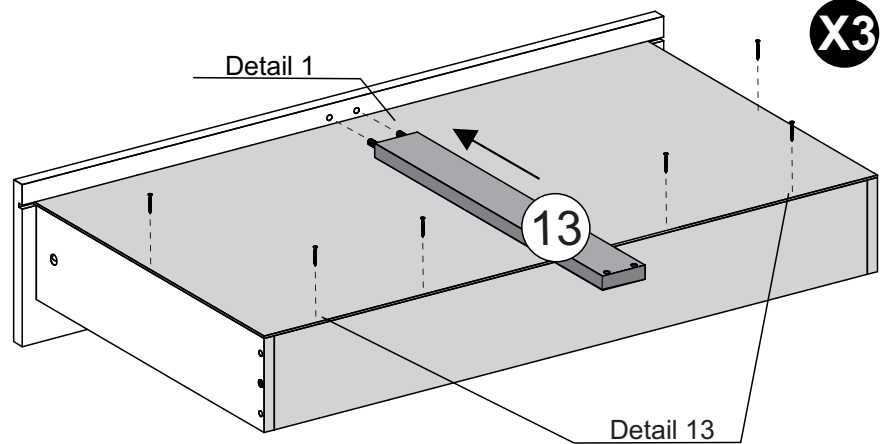
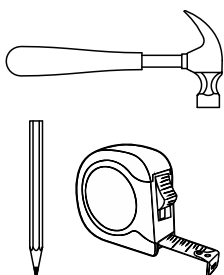
13 - DRAWER BOTTOM SUPPORT BAR x3



## HARDWARE REQUIRED

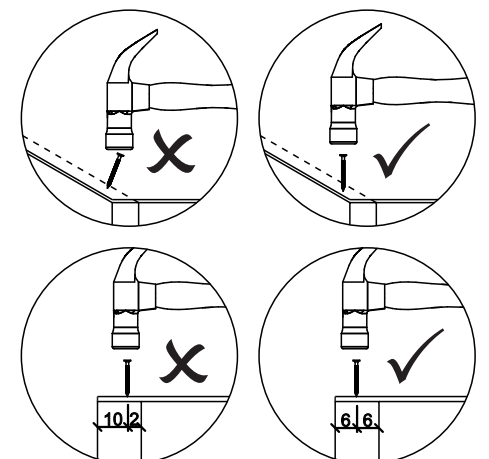


## TOOLS REQUIRED



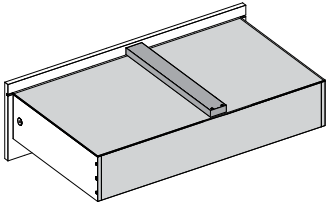
Detail 1

Detail 13

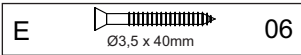
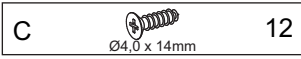


# STEP 19

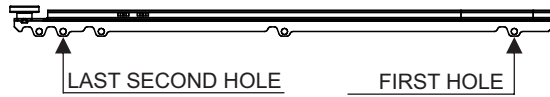
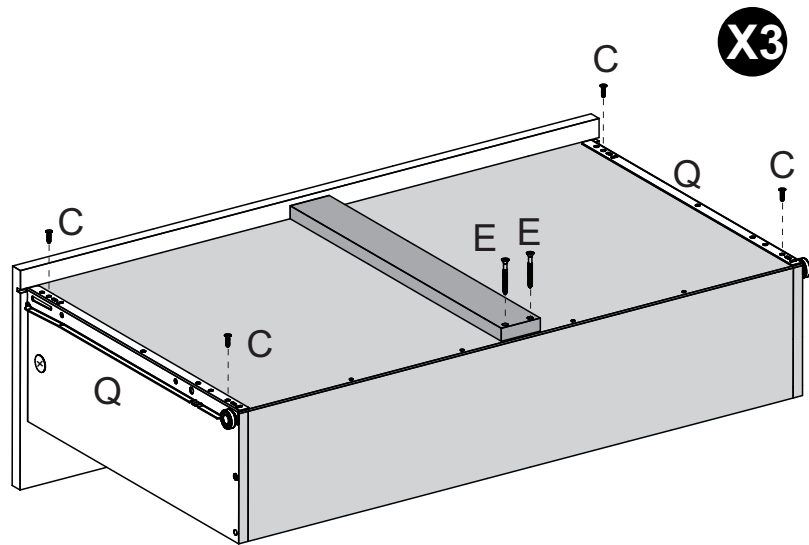
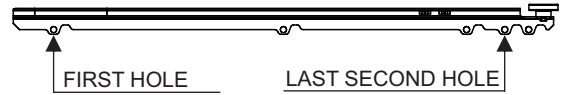
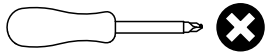
## PARTS REQUIRED



## HARDWARE REQUIRED

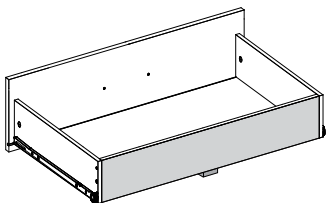


## TOOLS REQUIRED

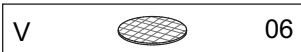
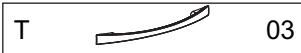
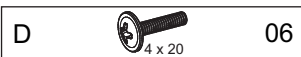


# STEP 20

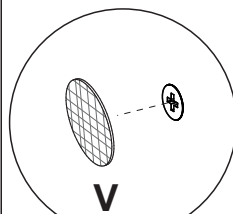
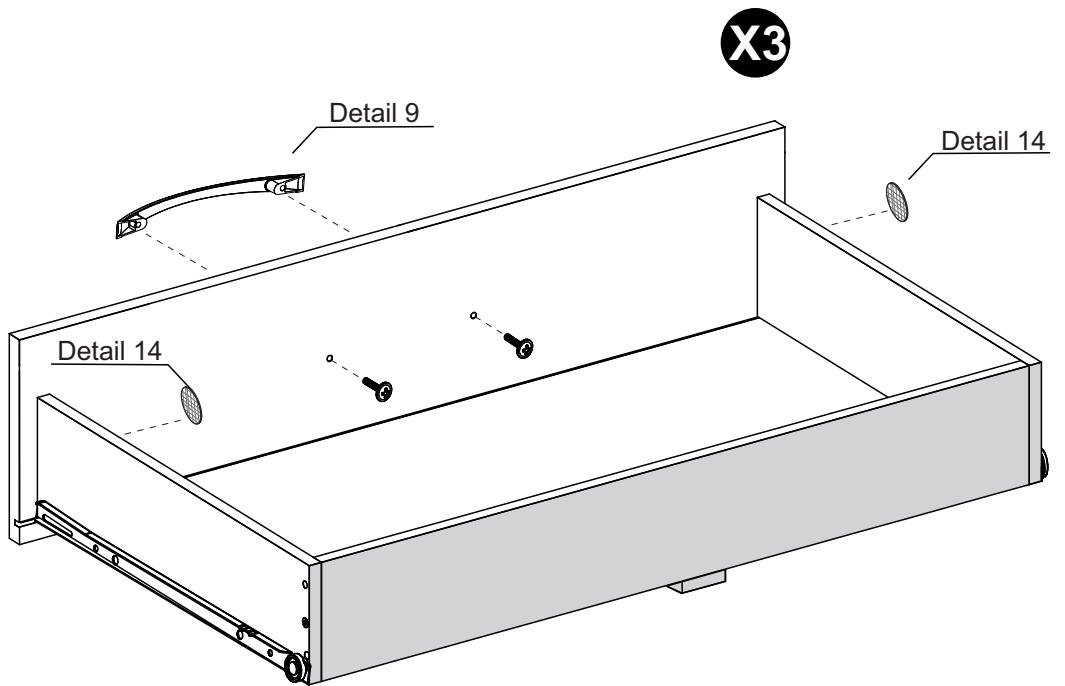
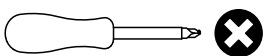
## PARTS REQUIRED



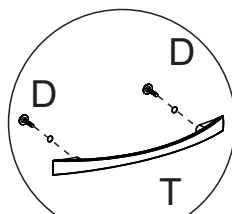
## HARDWARE REQUIRED



## TOOLS REQUIRED



Detail 14



Detail 9

# STEP 21

## PARTS REQUIRED

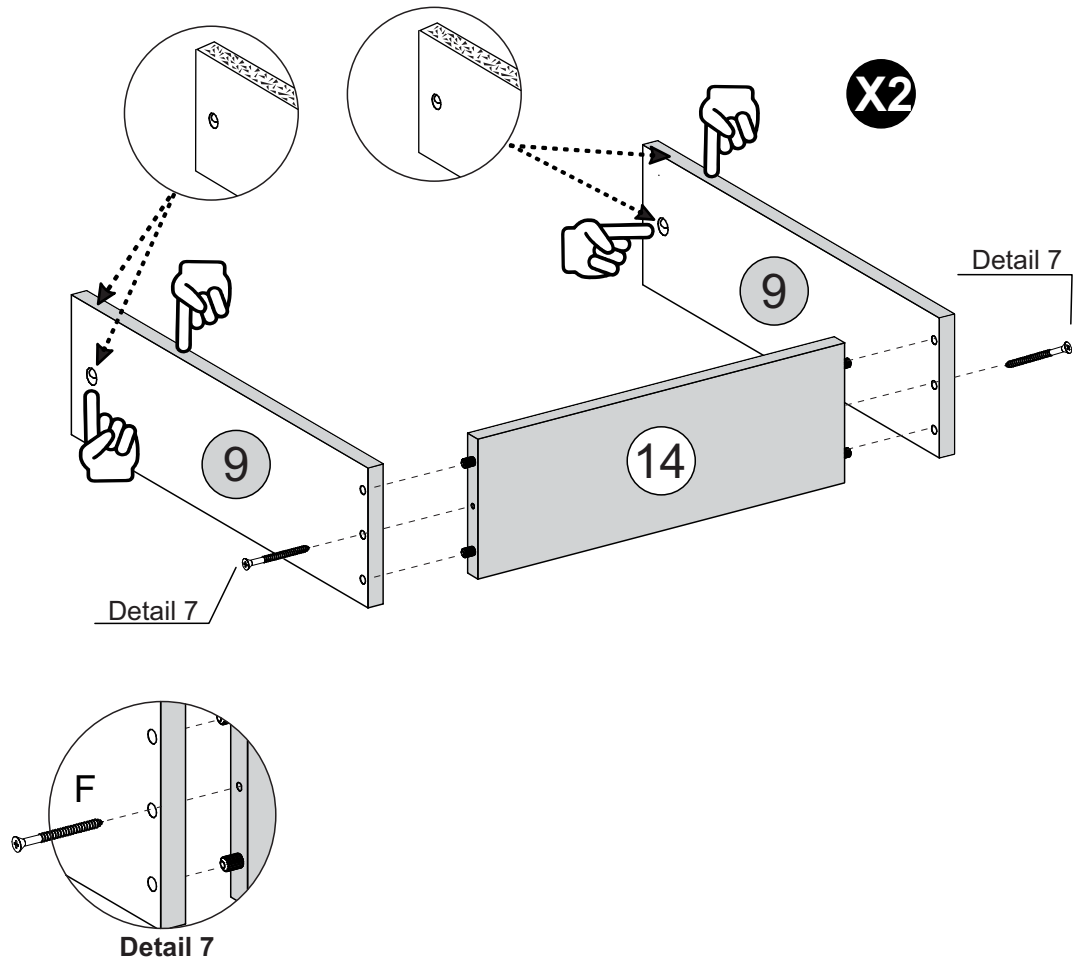
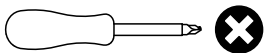
9 - DRAWER SIDE x6

14 - DRAWER BACK PANEL x3

## HARDWARE REQUIRED

F  Ø4 x 50 04

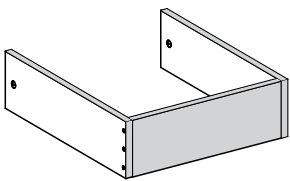
## TOOLS REQUIRED



# STEP 22

## PARTS REQUIRED

15 - SMALL DRAWER FRONT x3

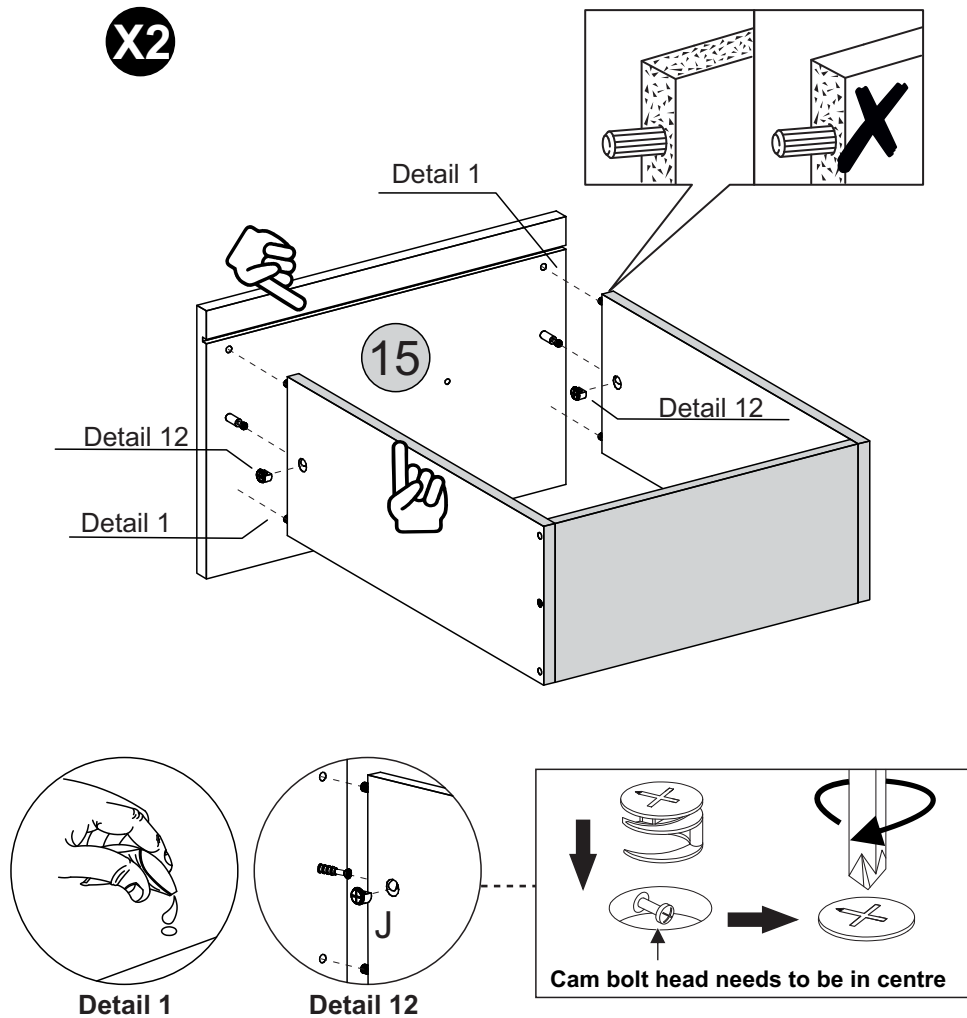
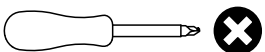


## HARDWARE REQUIRED

J  04

P  GLUE 01

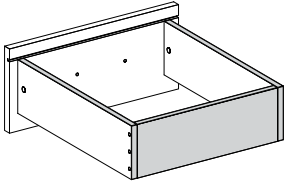
## TOOLS REQUIRED




# STEP 23

## PARTS REQUIRED

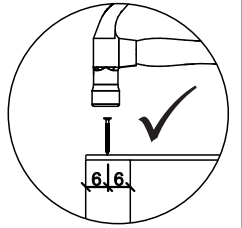
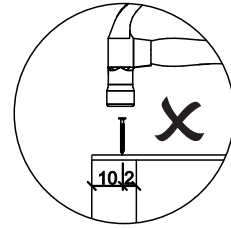
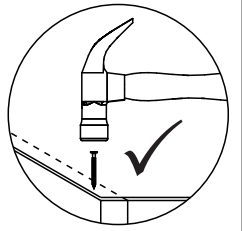
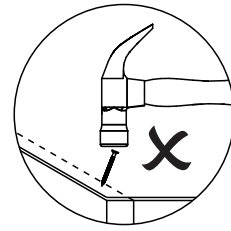
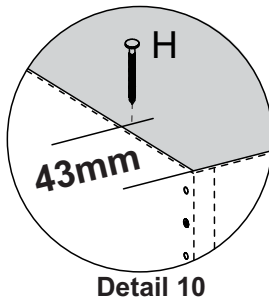
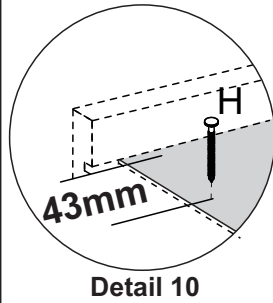
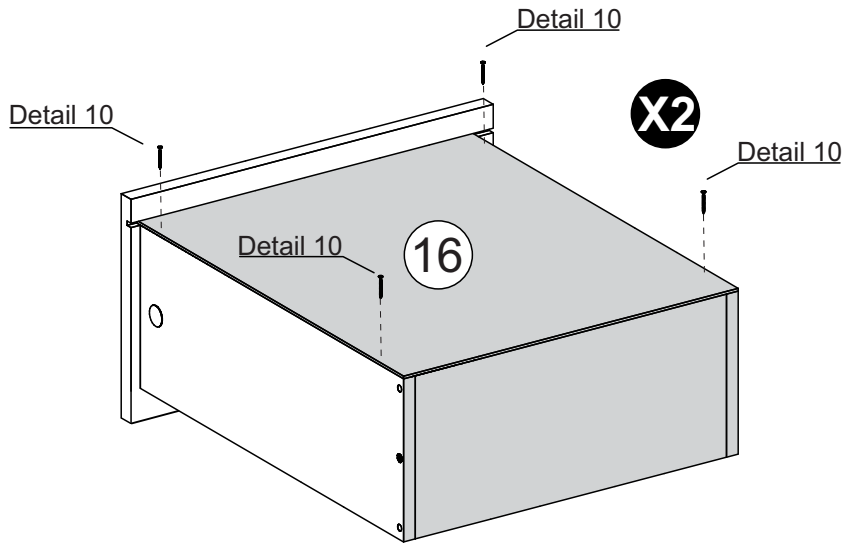
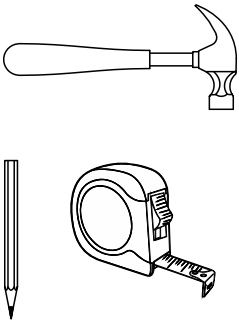
16 -DRAWER BOTTOM x2



## HARDWARE REQUIRED

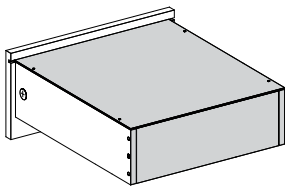
H  10 x 10 08

## TOOLS REQUIRED



# STEP 24

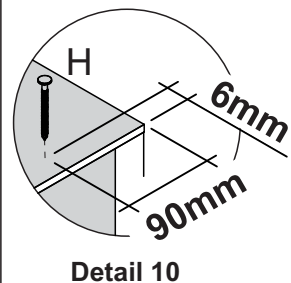
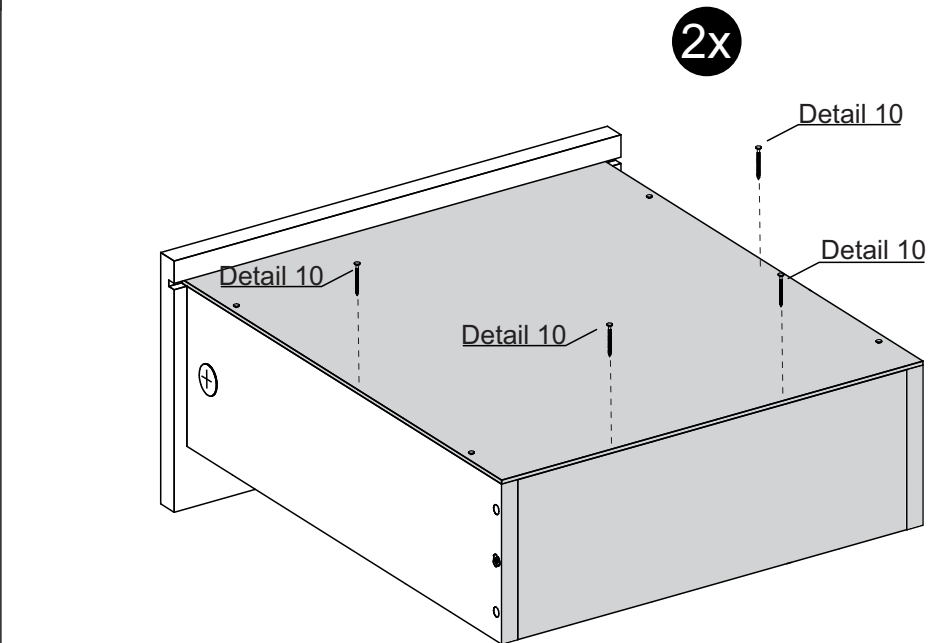
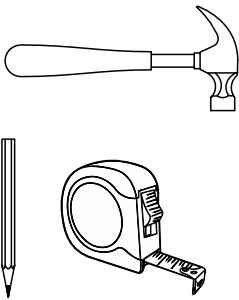
## PARTS REQUIRED



## HARDWARE REQUIRED

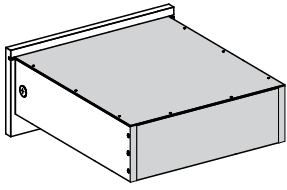
H  10 x 10 08

## TOOLS REQUIRED

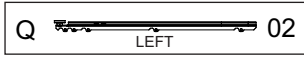
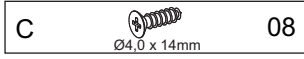


# STEP 25

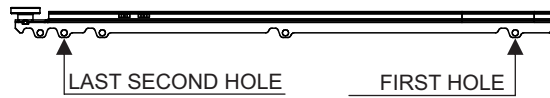
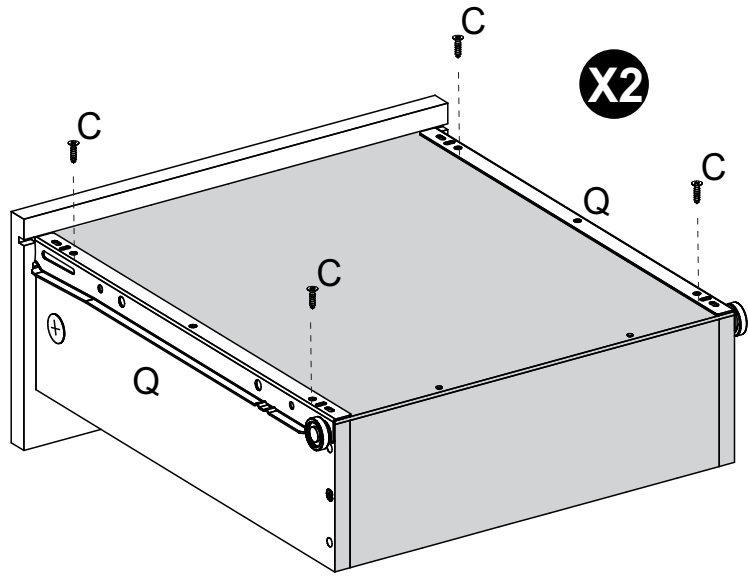
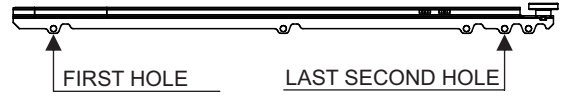
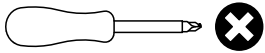
## PARTS REQUIRED



## HARDWARE REQUIRED

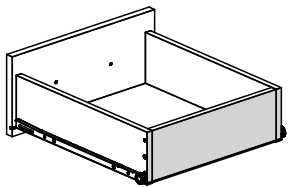


## TOOLS REQUIRED

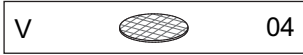


# STEP 26

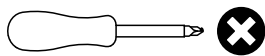
## PARTS REQUIRED



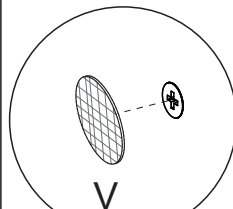
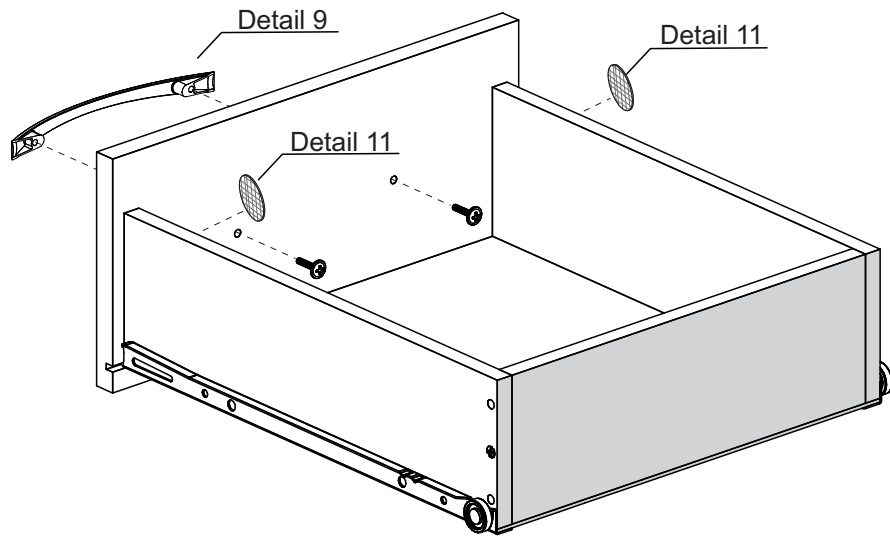
## HARDWARE REQUIRED



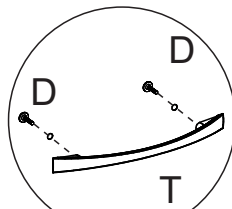
## TOOLS REQUIRED



**X2**



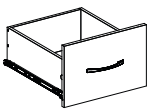
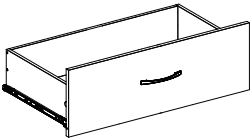
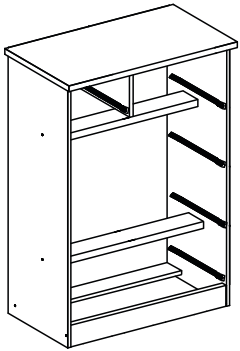
Detail 11



Detail 9

# STEP 27

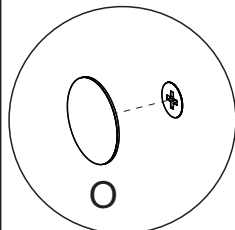
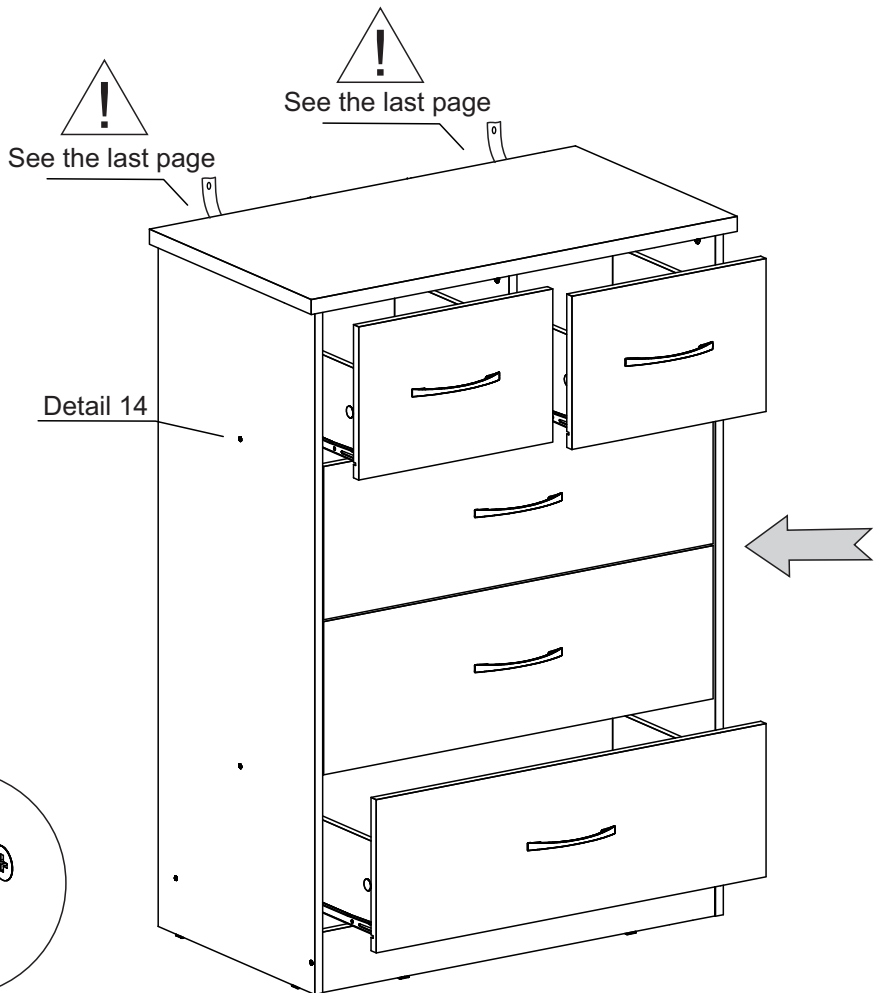
## PARTS REQUIRED



## HARDWARE REQUIRED



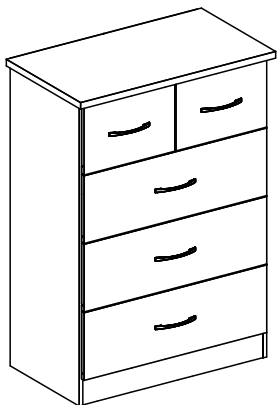
## TOOLS REQUIRED



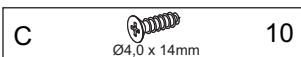
Detail 14

# STEP 28

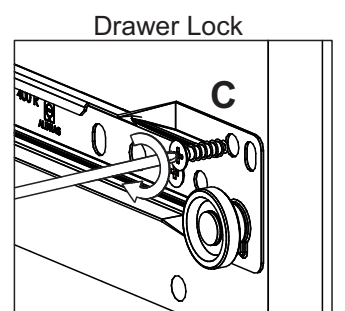
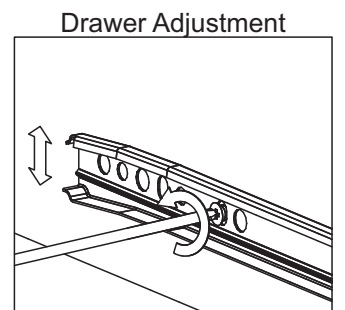
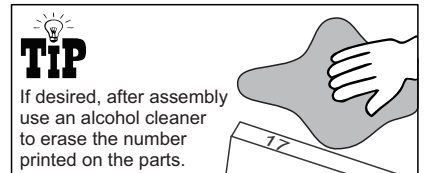
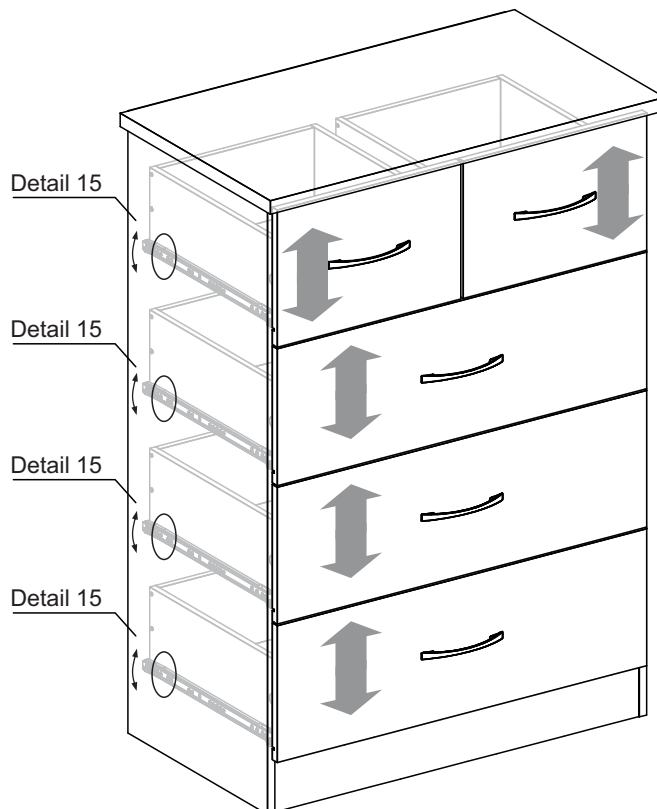
## PARTS REQUIRED



## HARDWARE REQUIRED



## TOOLS REQUIRED



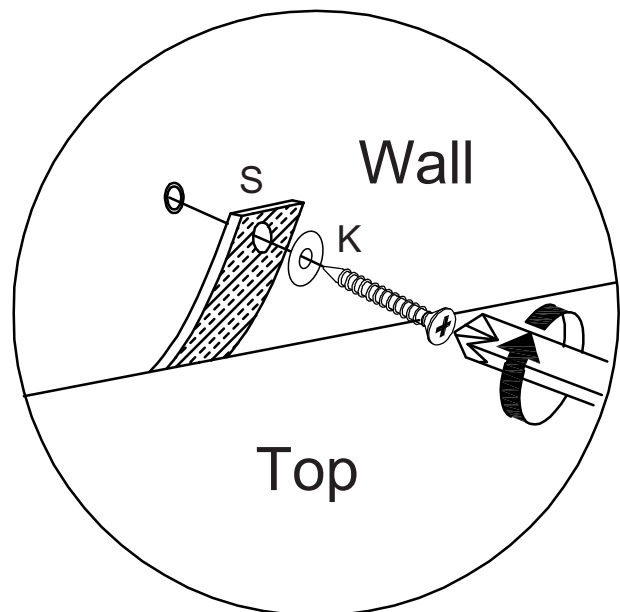
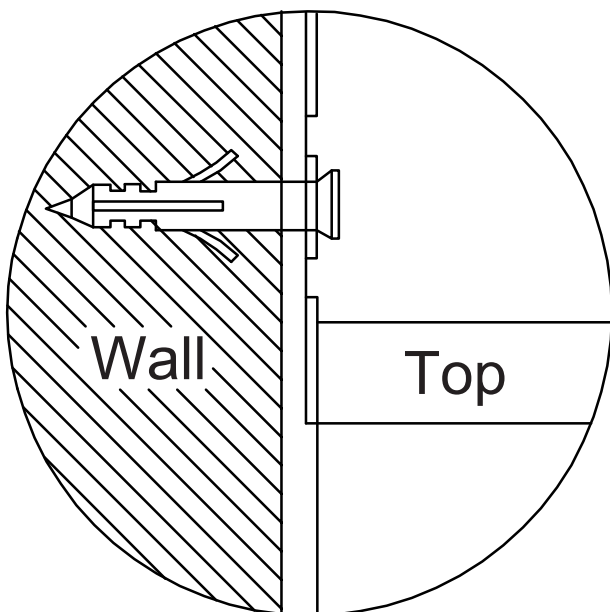
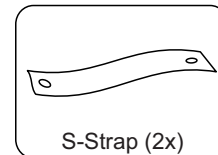
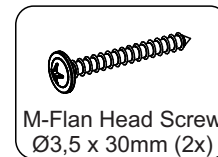
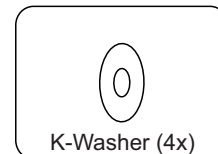
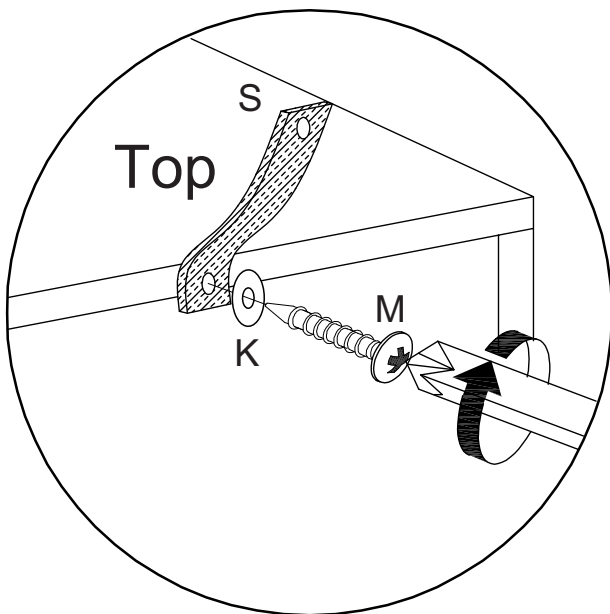
Detail 15

# WARNING

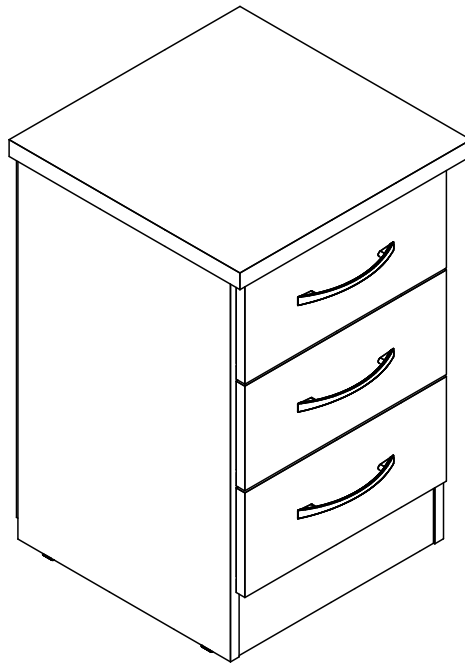
**Serious or fatal injuries can occur from furniture tipping over. To prevent the furniture from tipping over we recommend that it is permanently fixed to the wall.**

Wall fixings are not supplied with this product as different wall materials require different types of fixing devices.

Please make sure you use fixings suitable for the walls in your home.



# 3 DRAWER BEDSIDE ASSEMBLY INSTRUCTIONS



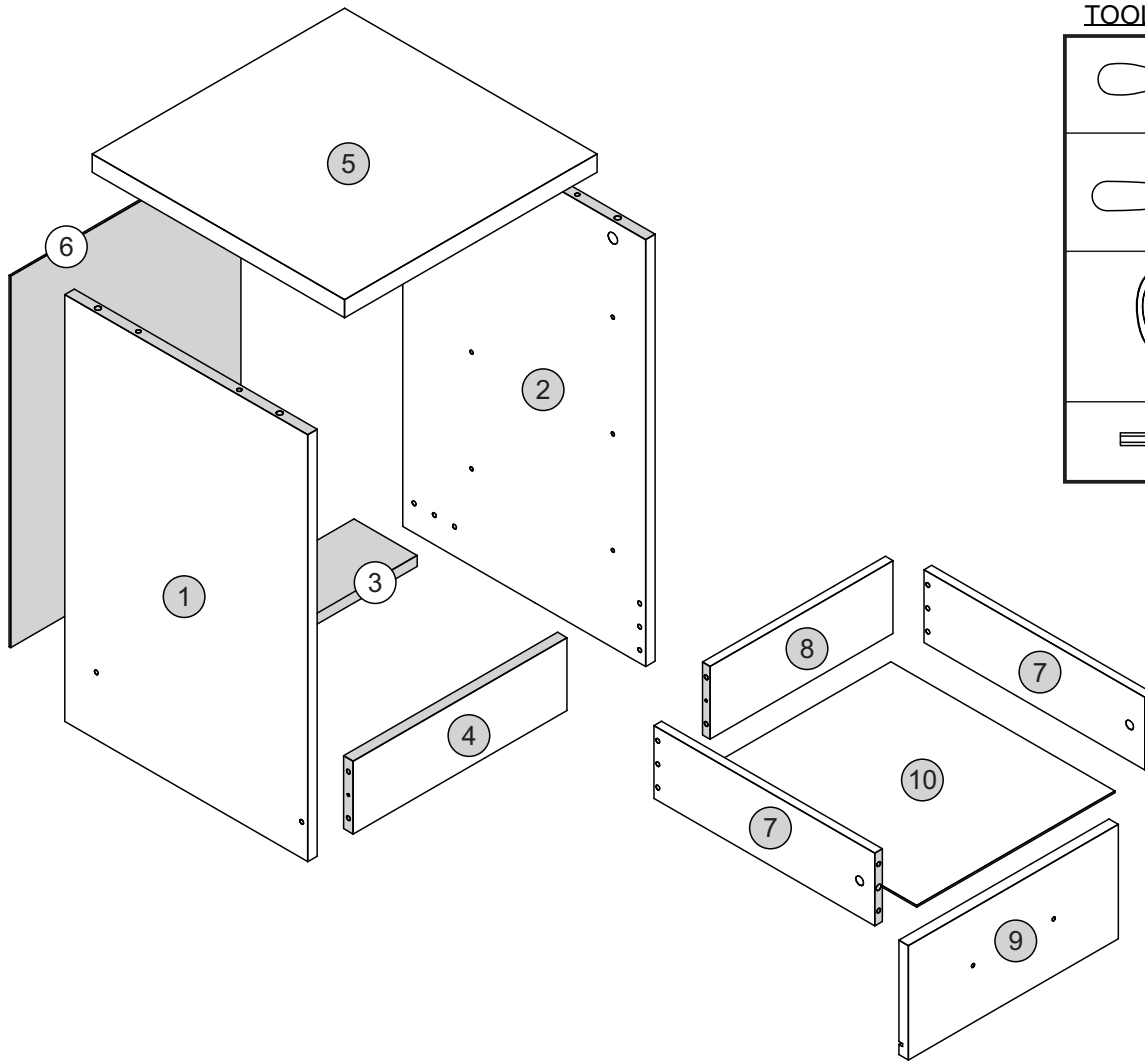
## **IMPORTANT FOR DOMESTIC USE ONLY**

**PLEASE READ BEFORE YOU CONTINUE FURTHER**

## **CARE AND MAINTENANCE**

After unpacking this product please keep the original packaging in case it needs to be returned for any reason.

- Please ensure all fittings and parts are present before commencing with assembly.
- Never drag or push products as this could cause damage to the joints making it inferior.
- We strongly recommend that you keep children away from your work area.
- We recommend that you lay a blanket or sheet on the floor to avoid damage to both your floor and the product.
- Assemble this product as close to its final position as possible.
- Do not place this product next to a radiator or in direct sunlight.
- Do not drag or push items across your high gloss furniture as this may cause the surface to scratch
- Wood is a natural product and may expand if subjected to damp and may shrink or crack if subjected to heat. Therefore it is recommended that room temperature is maintained, with no sudden temperature fluctuations.
- Make sure any spillage is wiped off immediately.
- Do not place hot or chilled items directly on to the surface, use a place mat or marking will occur.
- For general cleaning use a soft cotton or micro fibre cloth, and do not use detergents of any kind.
- From time to time it may be necessary to tighten fittings, regular inspections should be carried out.
- Do not place on a wet or damp floor as staining may occur to your floor.


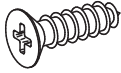
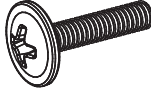
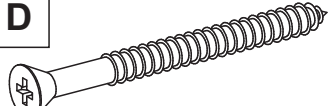


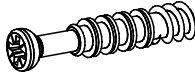





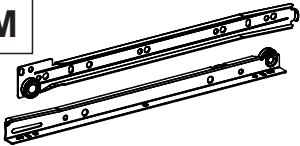
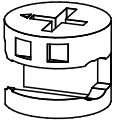

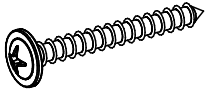




## PARTS LIST

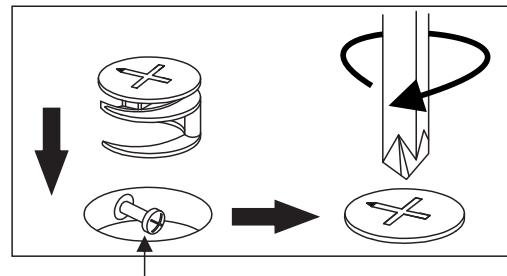
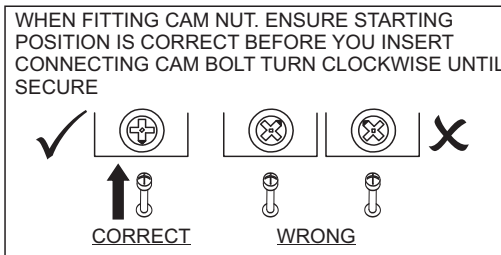
**Please Note:**  
The below parts have all been stamped with the part number to help identify them during assembly.

<b>Part Number</b>	<b>Part Description</b>	<b>Quantity</b>	<b>Carton</b>
01	Left Side Panel	1	1/1
02	Right Side Panel	1	1/1
03	Back Baseboard	1	1/1
04	Front Baseboard	1	1/1
05	Top Panel	1	1/1
06	Back Panel	1	1/1
07	Drawer Side	6	1/1
08	Drawer Back Panel	3	1/1
09	Drawer Front	3	1/1
10	Drawer Bottom	3	1/1

## FITTINGS LIST

<p><b>A</b></p>  <p>Flat Head Screw 1/+ Ø6,0 x 10mm (12x)</p>	<p><b>B</b></p>  <p>Flat Head Screw 2/+ Ø4,0 x 14mm (18x)</p>	<p><b>C</b></p>  <p>Flan Head Screw 1/+ Ø4,0 x 20mm (6x)</p>	<p><b>D</b></p>  <p>Flat Head Screw 2/+ Ø4,0 x 50mm (10x)</p>
<p><b>E</b></p>  <p>2/+ Dowel Ø6,0 x 30mm (36x)</p>	<p><b>F</b></p>  <p>2/+ Nail 10 x 10 (42x)</p>	<p><b>G</b></p>  <p>2/+ Cam Bolt (10x)</p>	<p><b>H</b></p>  <p>1/+ Cam Nut Ø12mm (6x)</p>
<p><b>I</b></p>  <p>1/+ Plastic Foot (4x)</p>	<p><b>J</b></p>  <p>2/+ Hole Plugs (4x)</p>	<p><b>K</b></p>  <p>Glue (1x)</p>	<p><b>L</b></p>  <p>Handle (3x)</p>
<p><b>M</b></p>  <p>Drawer Runners (3x)</p>	<p><b>N</b></p>  <p>1/+ Cam Nut Ø15mm (4x)</p>	<p><b>O</b></p>  <p>Strap (1x)</p>	<p><b>P</b></p>  <p>1/+ Flan Head Screw Ø3,5 x 30mm (1x)</p>
<p><b>Q</b></p>  <p>1/+ Washer (2x)</p>	<p><b>R</b></p>  <p>2/+ Hole Plugs (6x)</p>		

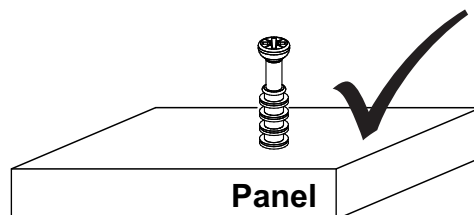
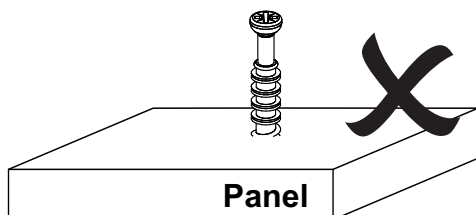
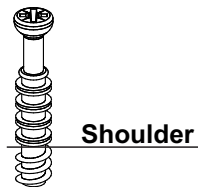
## TIPS FOR FITTINGS CAM-LOCKS



Cam bolt head needs to be in centre

### **CAMBOLT**

Tighten until shoulder in flush with panel. Do not overtighten or undertighten (see example beside)





# STEP 1

## PARTS REQUIRED

1 - LEFT SIDE PANEL x1

## HARDWARE REQUIRED

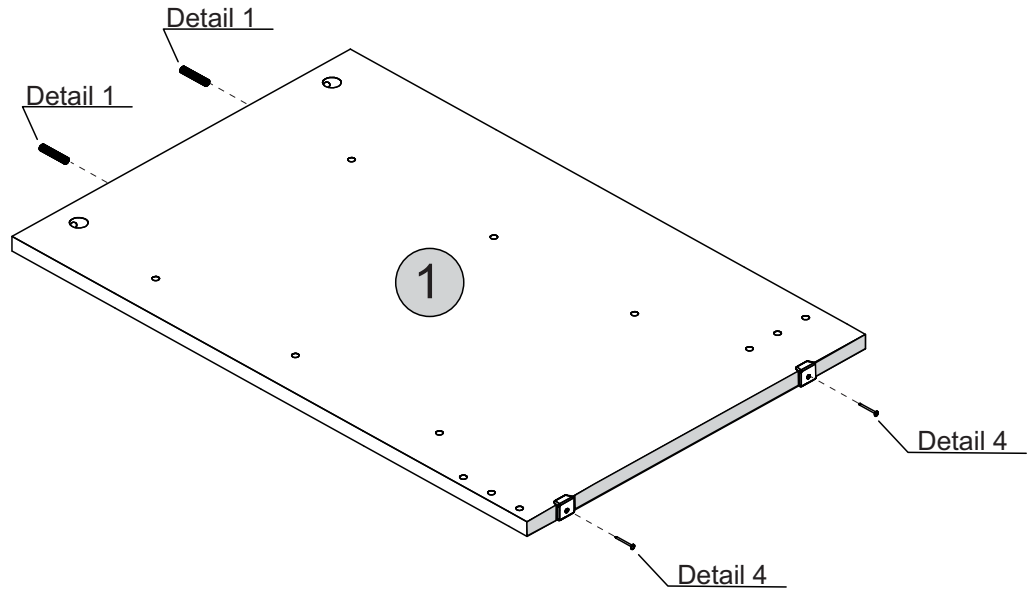
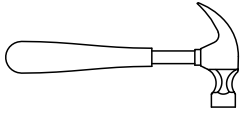
E  02  
Ø6,0 x 30mm

F  02  
10 x 10

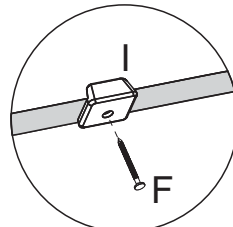
I  02

K  01  
GLUE

## TOOLS REQUIRED



Detail 1




Detail 4


# STEP 2

## PARTS REQUIRED

2 - RIGHT SIDE PANEL x1

## HARDWARE REQUIRED

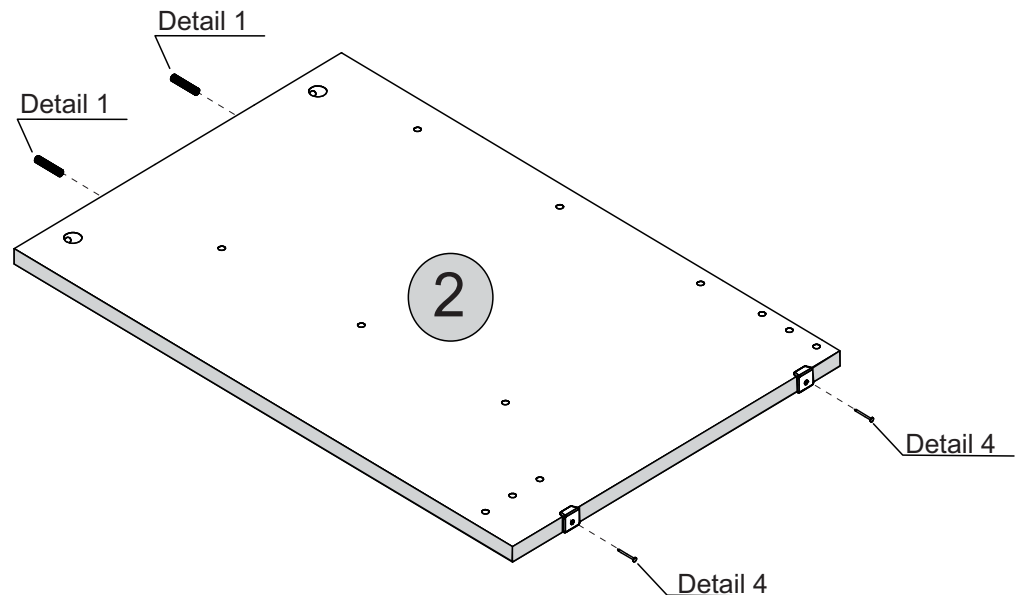
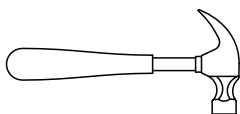
E  02  
Ø6,0 x 30mm

F  02  
10 x 10

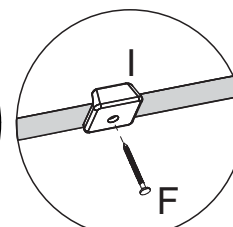
I  02

K  01  
GLUE

## TOOLS REQUIRED



Detail 1



Detail 4


# STEP 3


## PARTS REQUIRED

2 - RIGHT SIDE PANEL x1

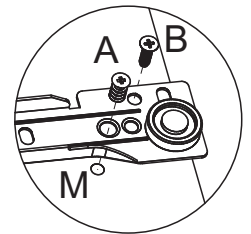
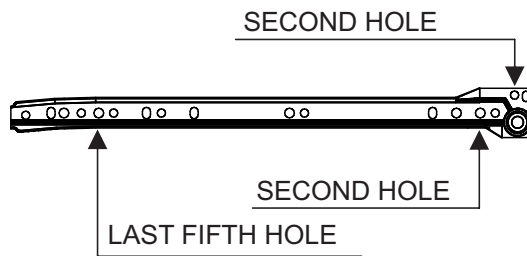
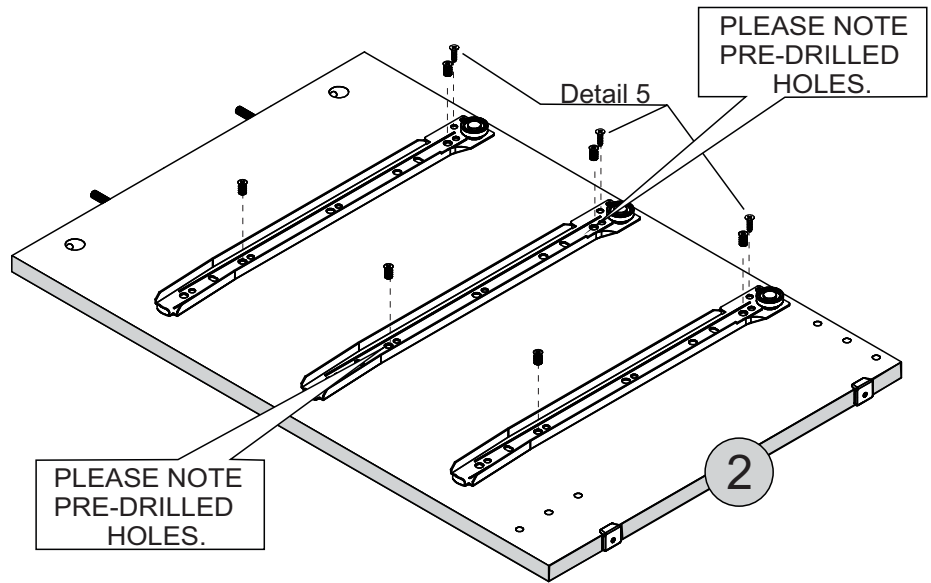
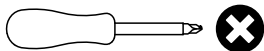
## HARDWARE REQUIRED

A  06  
Ø6,0 x 10mm

B  03  
Ø4,0 x 14mm

M  03  
RIGHT

## TOOLS REQUIRED




Detail 5


# STEP 4


## PARTS REQUIRED

1 - LEFT SIDE PANEL x1

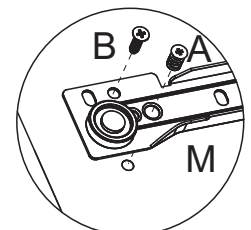
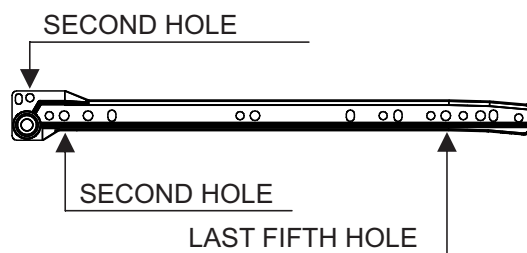
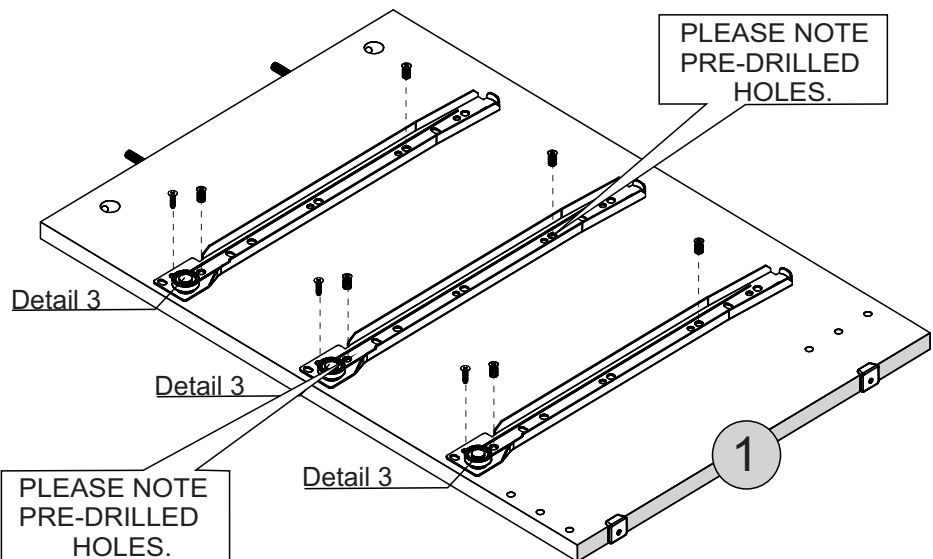
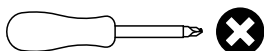
## HARDWARE REQUIRED

A  06  
Ø6,0 x 10mm

B  03  
Ø4,0 x 14mm

M  03  
LEFT

## TOOLS REQUIRED



Detail 3

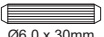
# STEP 5

## PARTS REQUIRED

3 - BACK BASEBOARD x1

4 - FRONT BASEBOARD x1

## HARDWARE REQUIRED

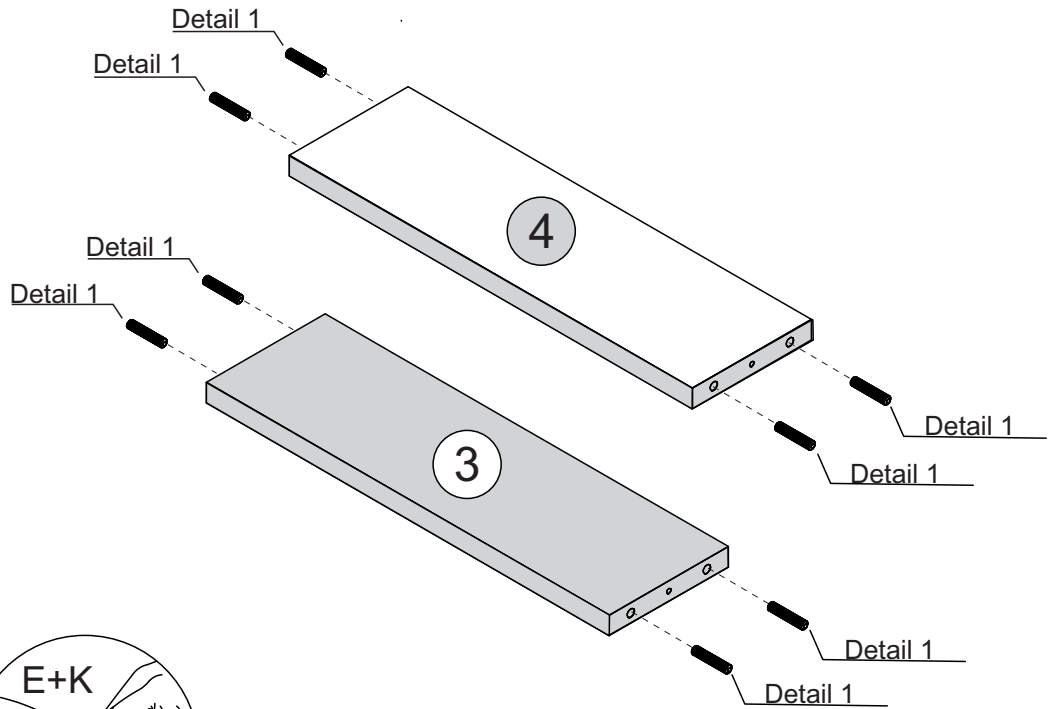
E  08  
Ø6,0 x 30mm

K  01

## TOOLS REQUIRED



Detail 1



# STEP 6

## PARTS REQUIRED

2 - RIGHT SIDE PANEL x1

3 - BACK BASEBOARD x1

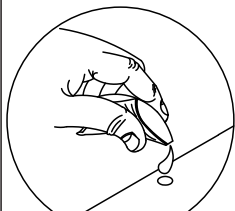
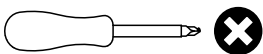
4 - FRONT BASEBOARD x1

## HARDWARE REQUIRED

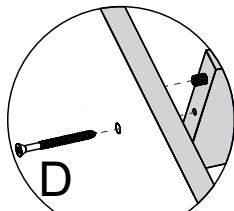
D  02  
Ø4 x 50mm

K  01

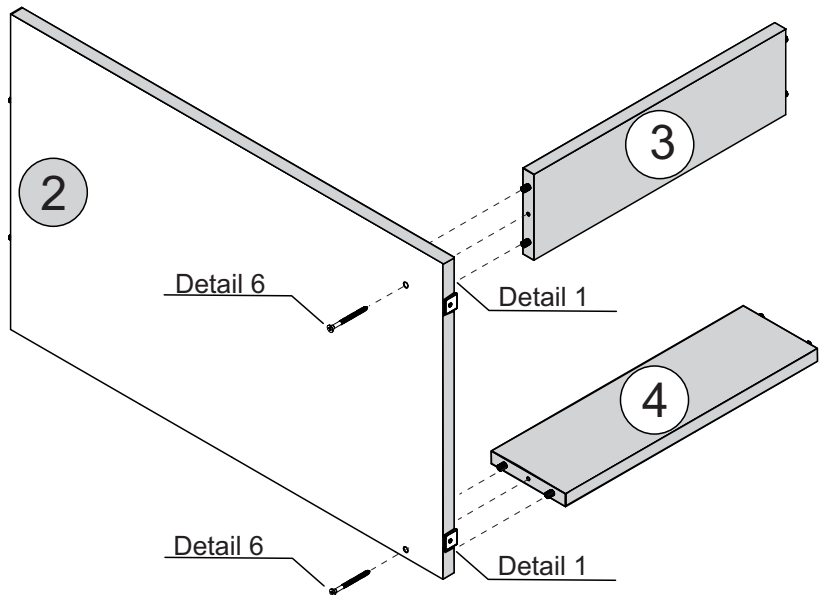
## TOOLS REQUIRED



Detail 1



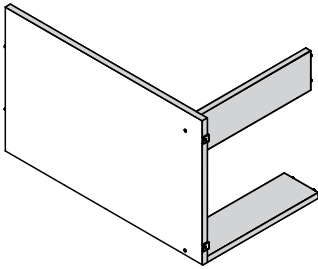
Detail 6



# STEP 7

## PARTS REQUIRED

1 - LEFT SIDE PANEL x1

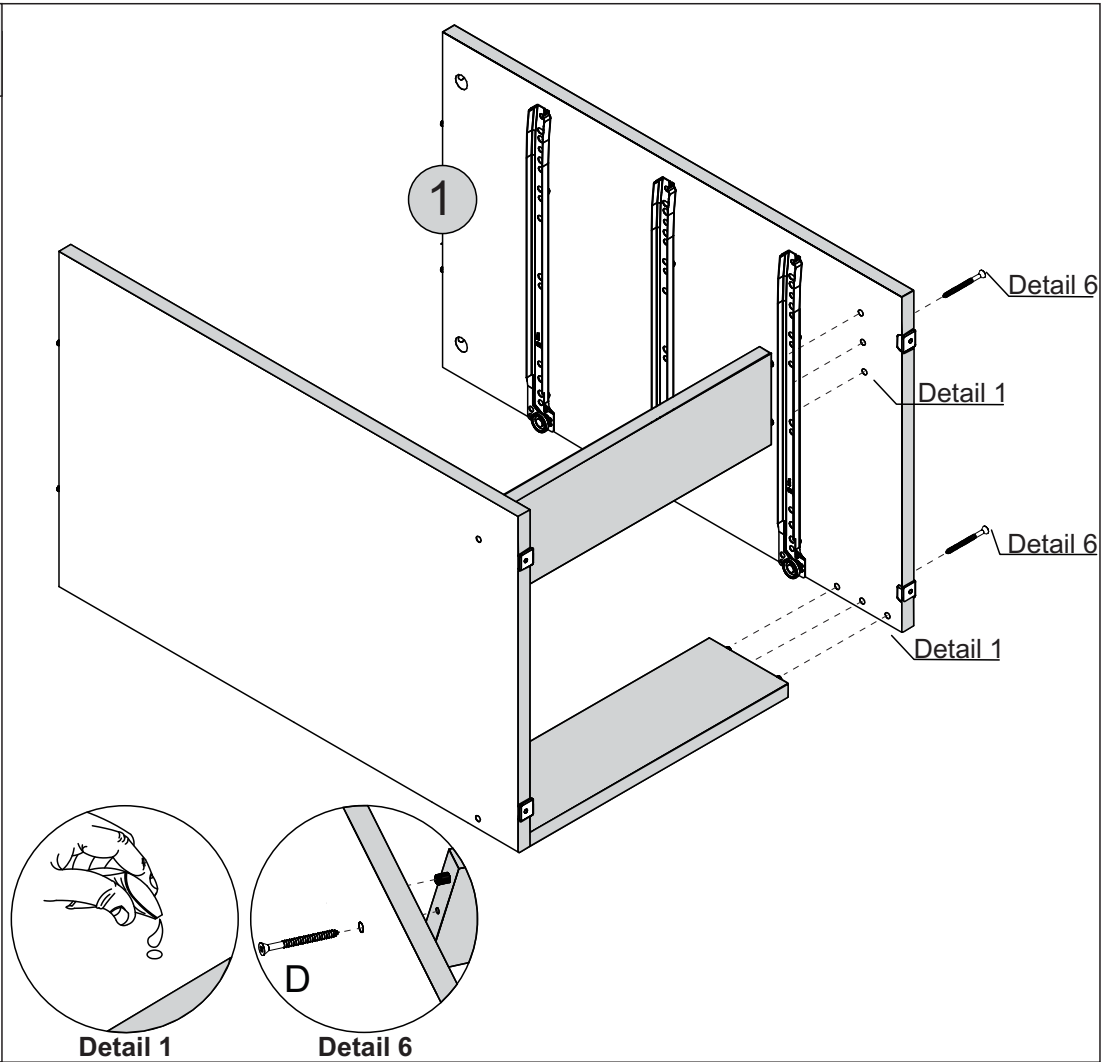
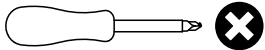


## HARDWARE REQUIRED

D  02  
Ø4 x 50mm

K  01  
GLUE

## TOOLS REQUIRED



# STEP 8

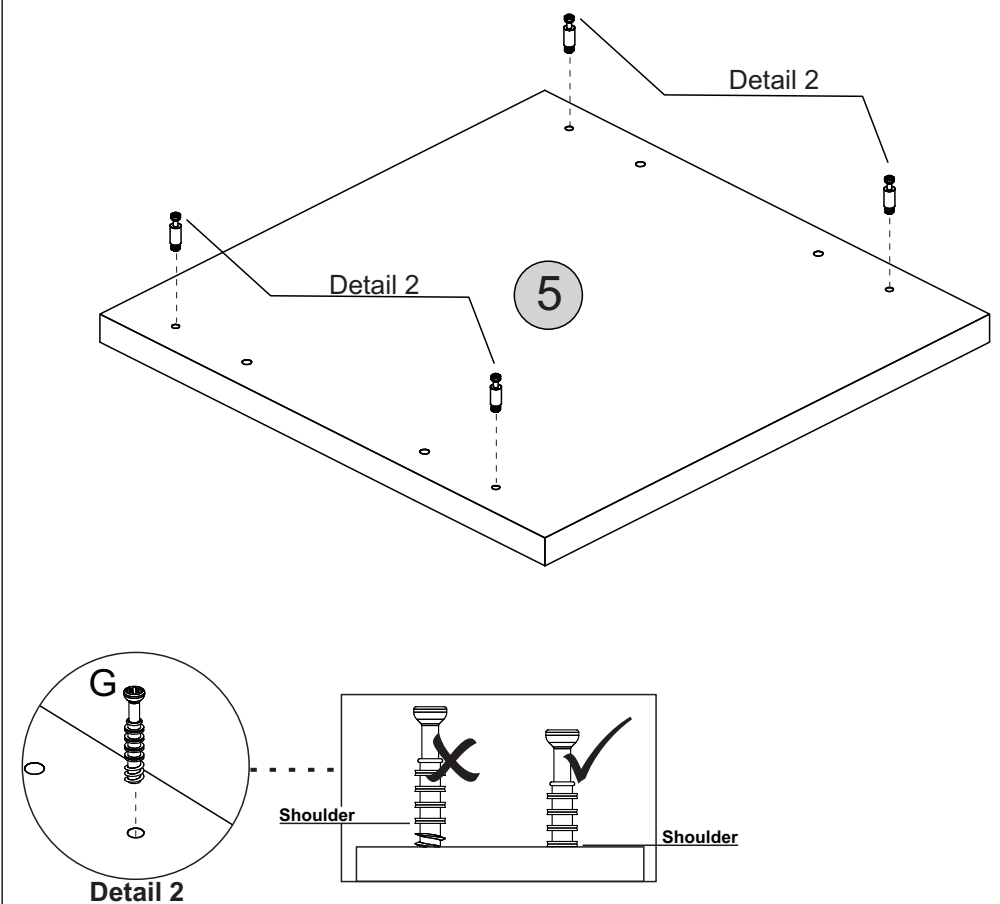
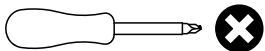
## PARTS REQUIRED

5 - TOP PANEL x1

## HARDWARE REQUIRED

G  04

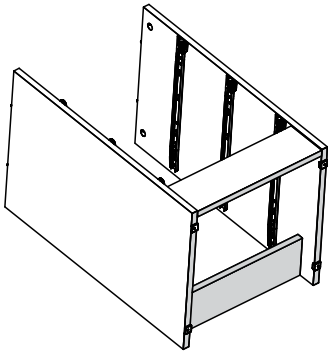
## TOOLS REQUIRED



# STEP 9

## PARTS REQUIRED

5 - TOP PANEL x1

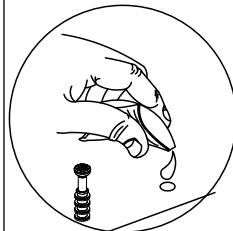
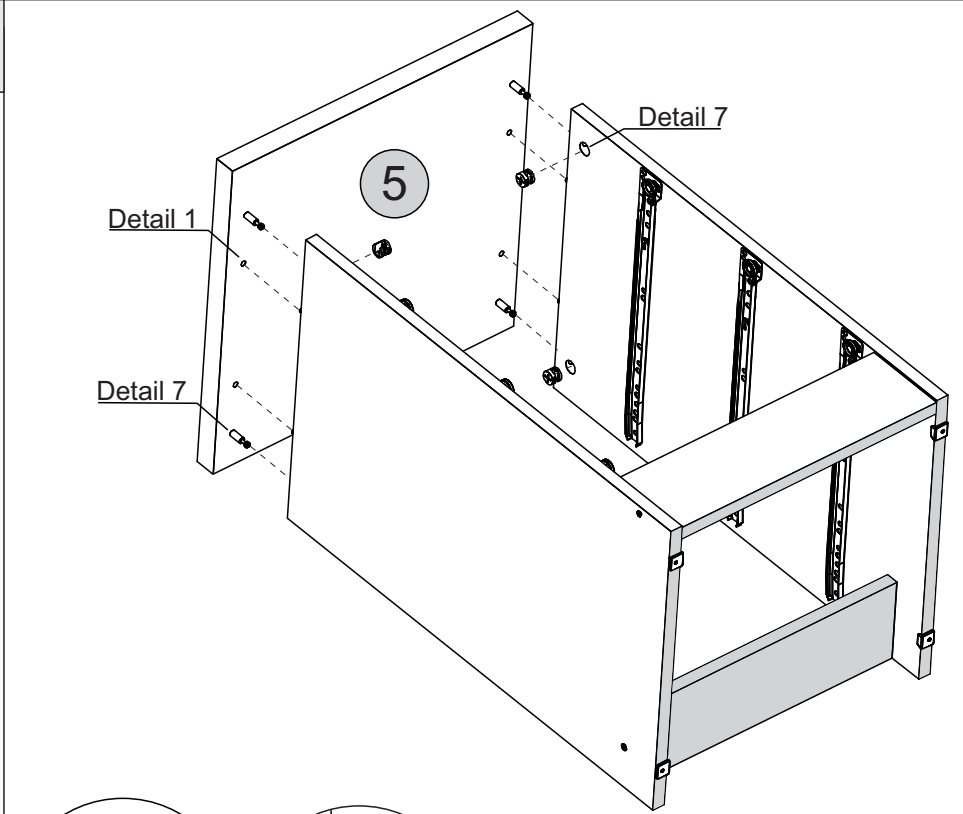
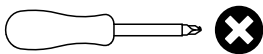


## HARDWARE REQUIRED

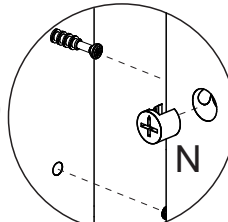
K  01

N  04

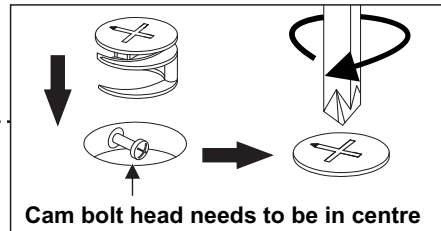
## TOOLS REQUIRED



Detail 1



Detail 7

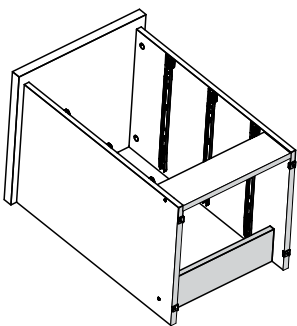


Cam bolt head needs to be in centre

# STEP 10

## PARTS REQUIRED

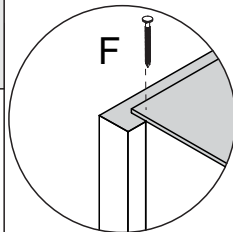
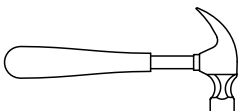
6 - BACK PANEL x1



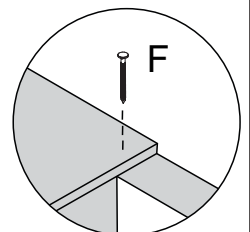
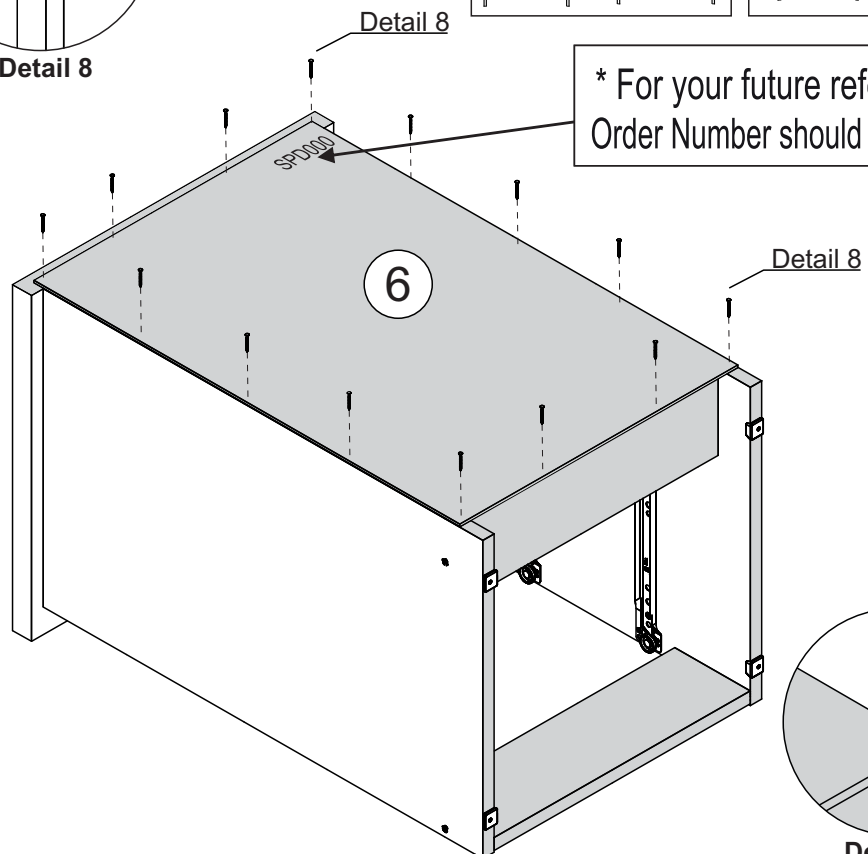
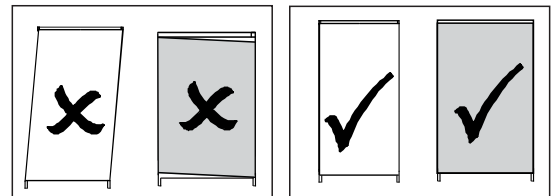
## HARDWARE REQUIRED

F  14

## TOOLS REQUIRED



Detail 8



Detail 8




# STEP 13

## PARTS REQUIRED

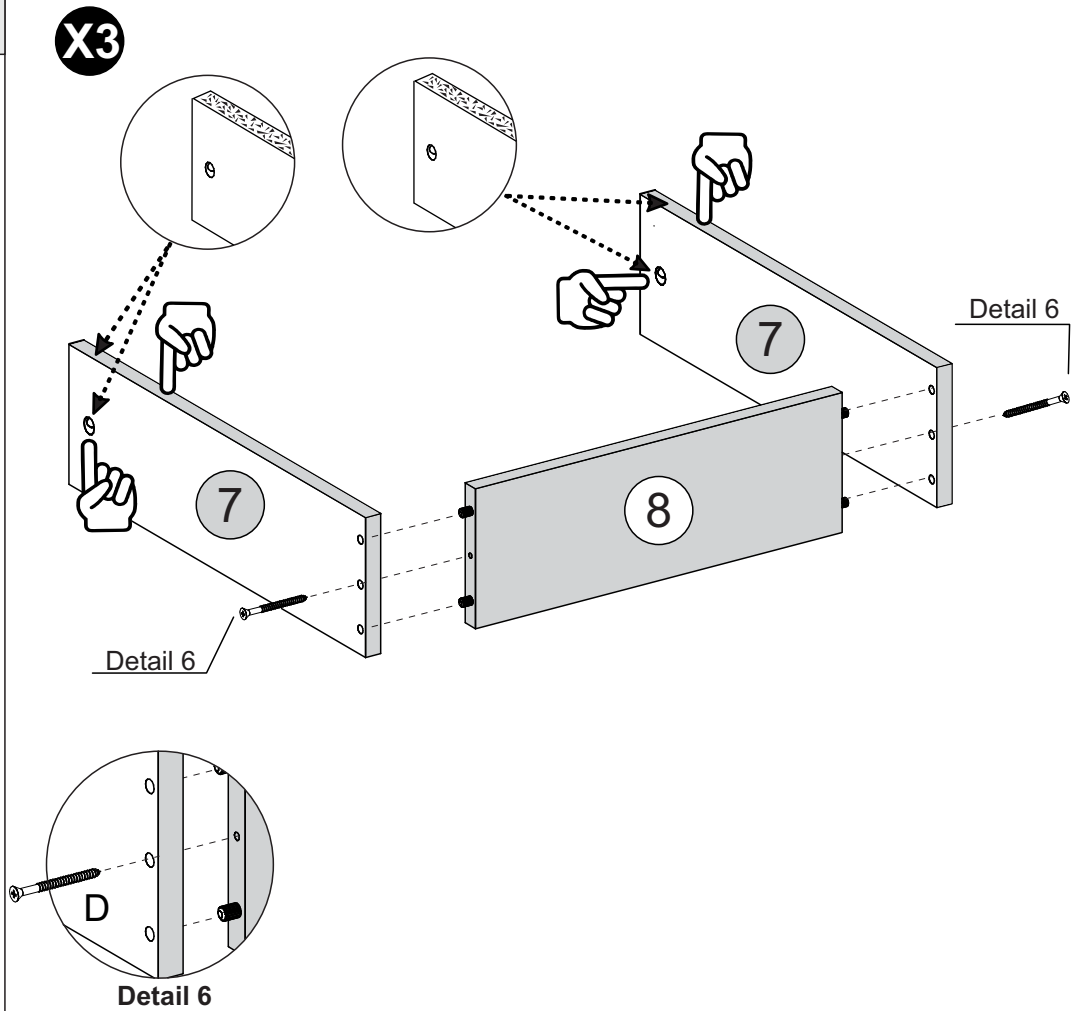
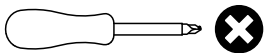
7 - DRAWER SIDE x6

8 - DRAWER BACK PANEL x3

## HARDWARE REQUIRED

D  06  
Ø4 x 50mm

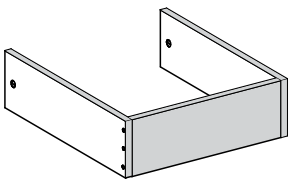
## TOOLS REQUIRED



# STEP 14

## PARTS REQUIRED

9 - DRAWER FRONT x3

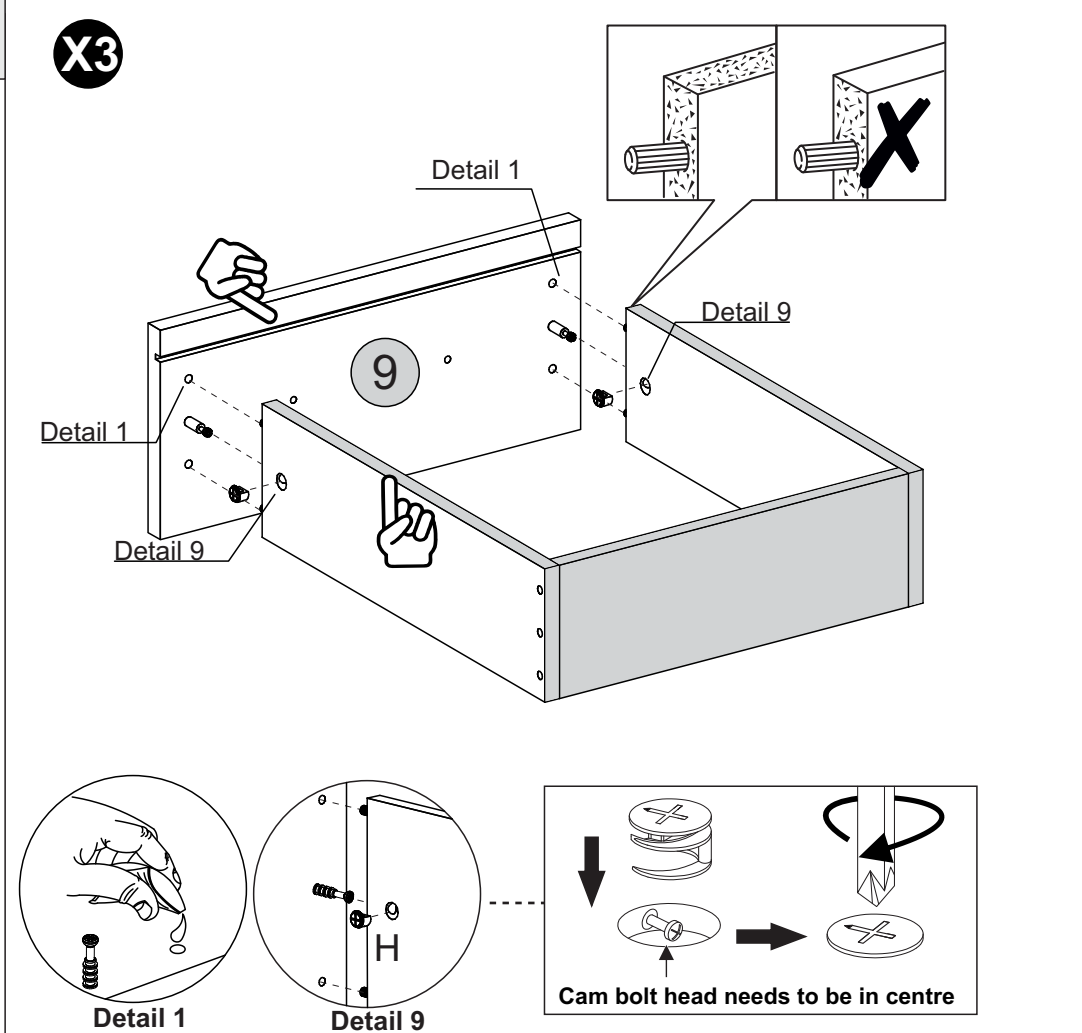
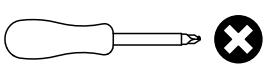


## HARDWARE REQUIRED

H  06

K  01  
GLUE

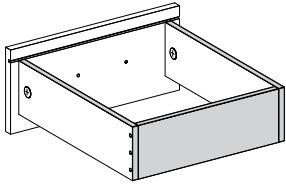
## TOOLS REQUIRED




# STEP 15

## PARTS REQUIRED

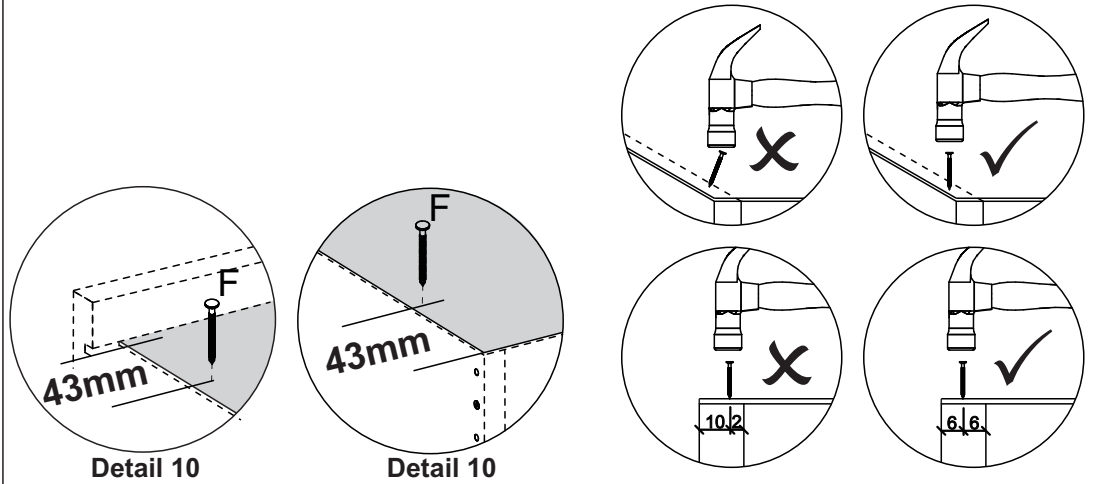
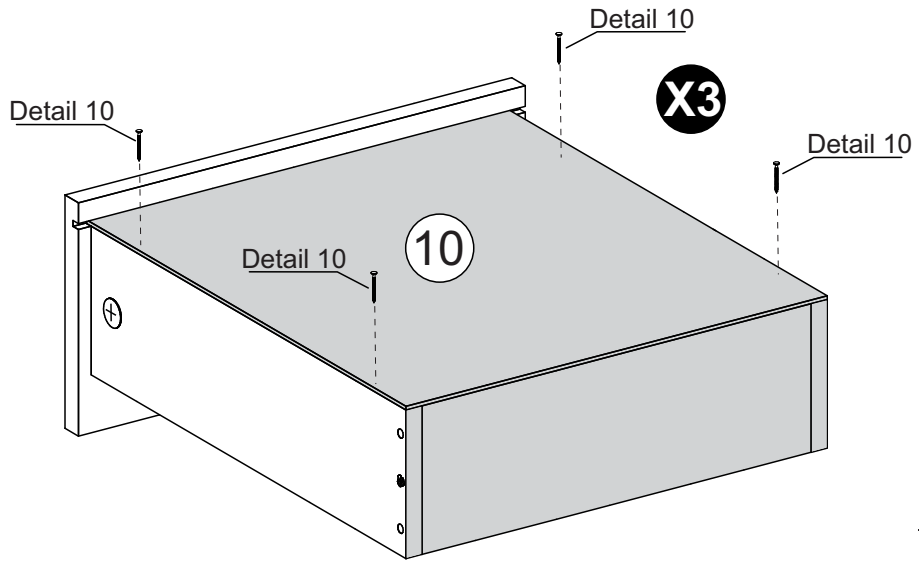
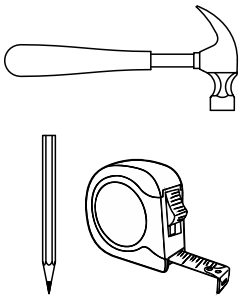
10 - DRAWER BOTTOM x3



## HARDWARE REQUIRED

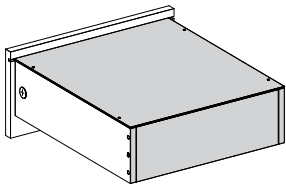
F  12  
10 x 10

## TOOLS REQUIRED



# STEP 16

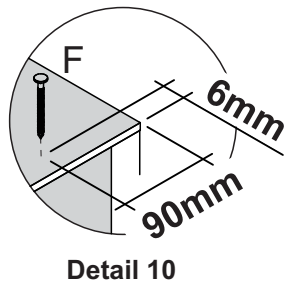
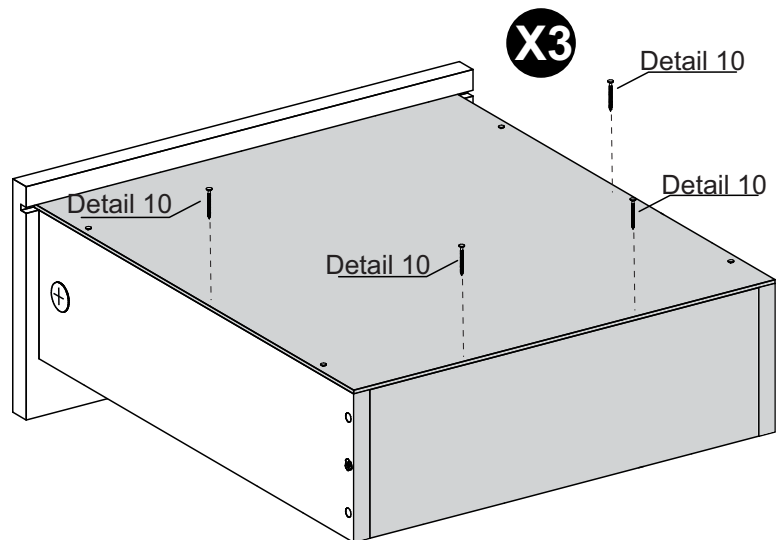
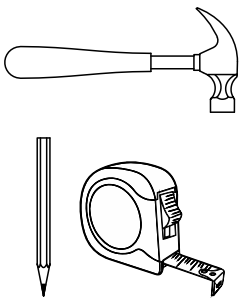
## PARTS REQUIRED



## HARDWARE REQUIRED

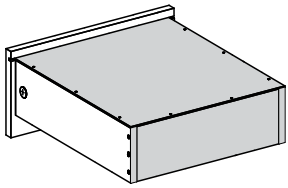
F  12  
10 x 10

## TOOLS REQUIRED

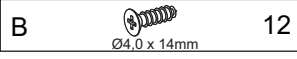


# STEP 17

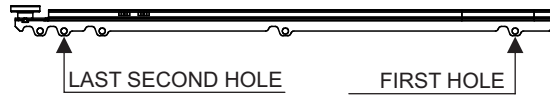
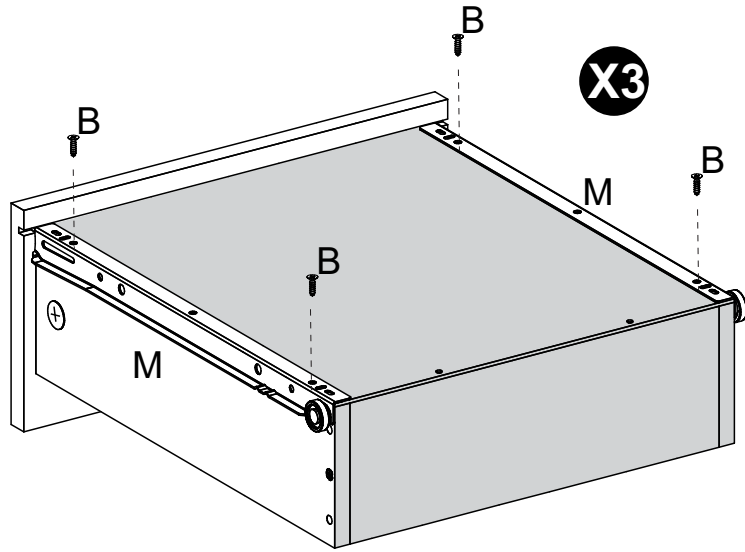
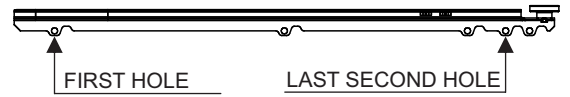
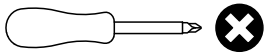
## PARTS REQUIRED



## HARDWARE REQUIRED

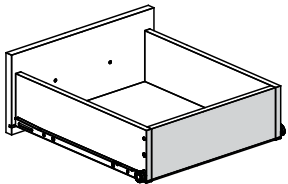


## TOOLS REQUIRED

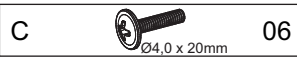


# STEP 18

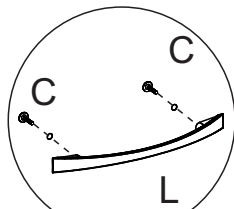
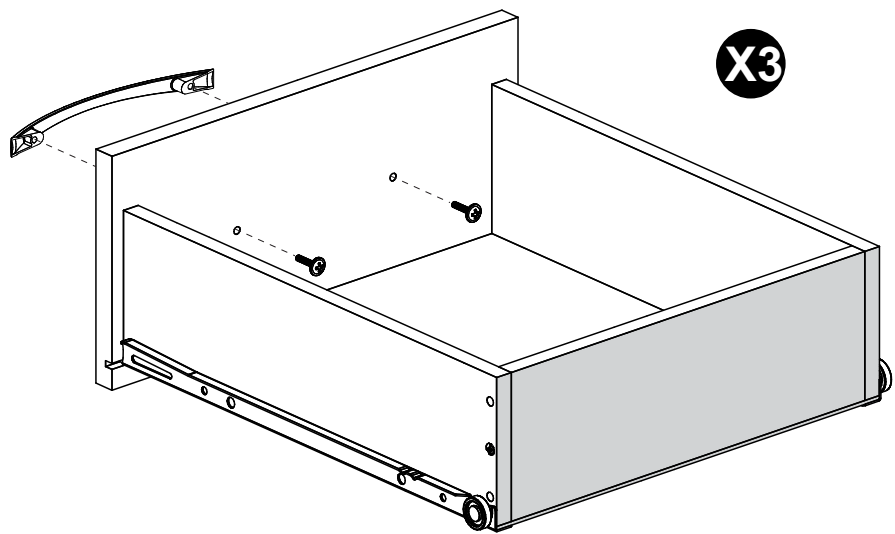
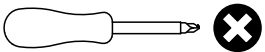
## PARTS REQUIRED



## HARDWARE REQUIRED



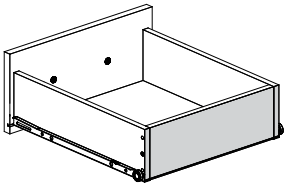
## TOOLS REQUIRED



Detail 11

# STEP 19

## PARTS REQUIRED

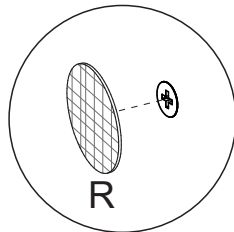
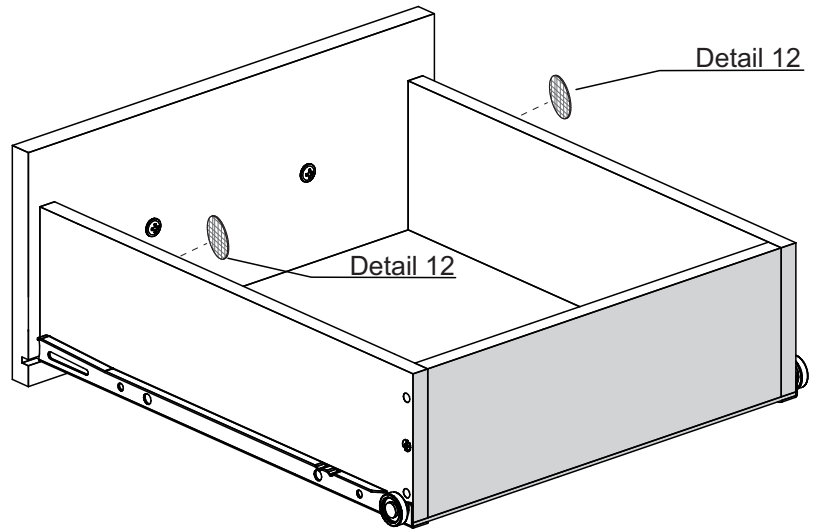


## HARDWARE REQUIRED



## TOOLS REQUIRED

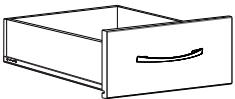
**X3**



Detail 12

# STEP 20

## PARTS REQUIRED



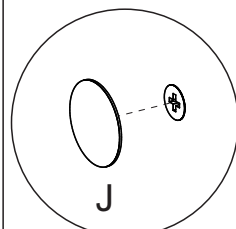
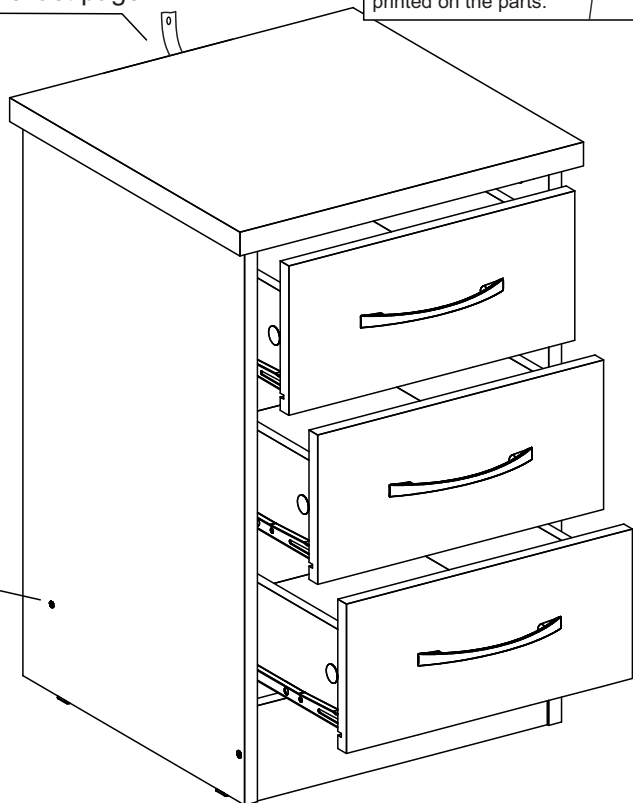
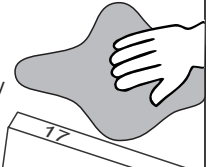
## HARDWARE REQUIRED



## TOOLS REQUIRED

  
See the last page

**TIP**  
If desired, after assembly use an alcohol cleaner to erase the number printed on the parts.



Detail 12

# WARNING

**Serious or fatal injuries can occur from furniture tipping over. To prevent the furniture from tipping over we recommend that it is permanently fixed to the wall.**

Wall fixings are not supplied with this product as different wall materials require different types of fixing devices. Please make sure you use fixings suitable for the walls in your home.

