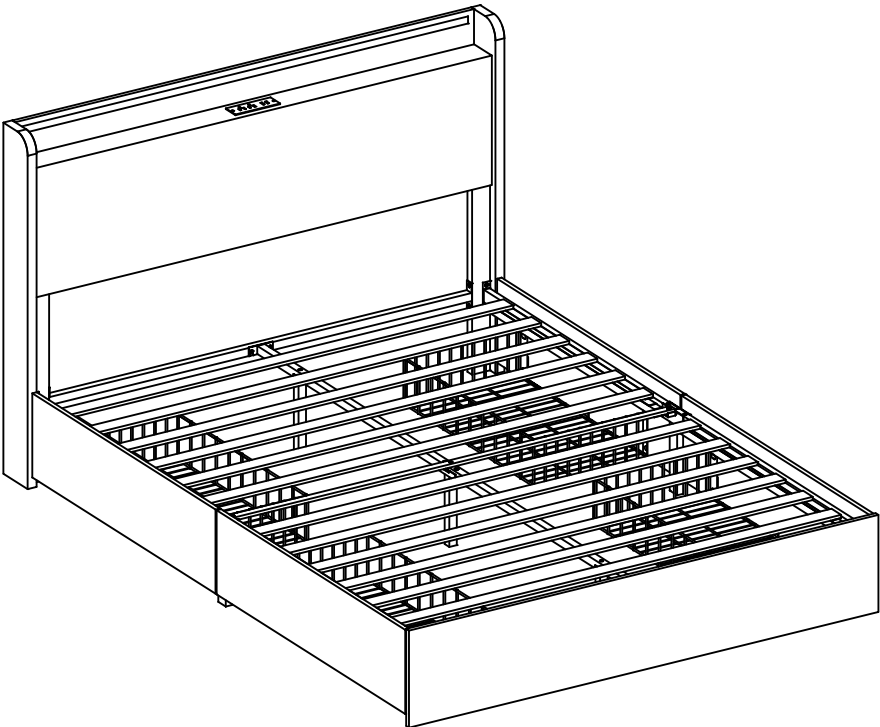



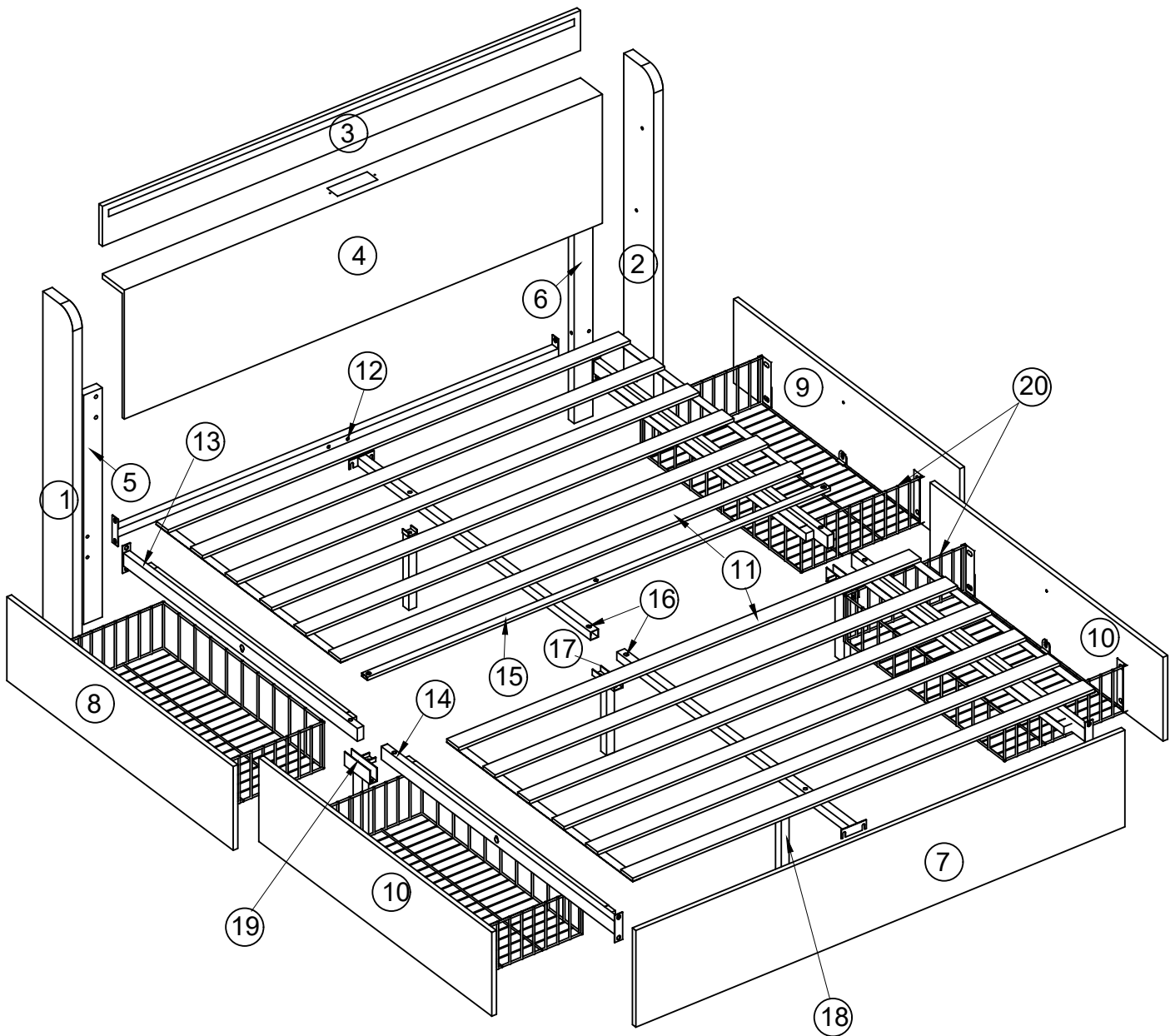
Assembly Instruction



 Team
Assembly
Recommended

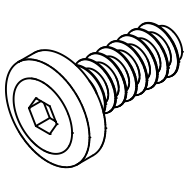
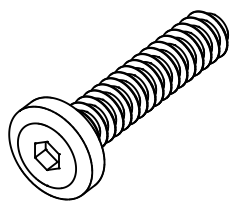
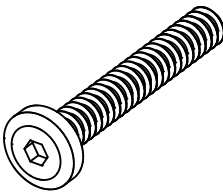
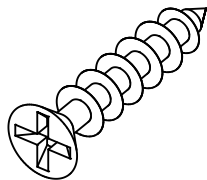
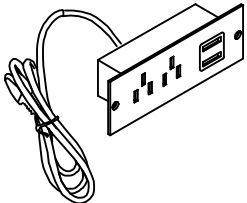
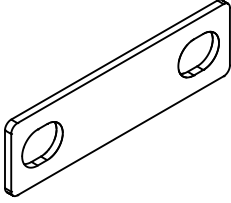
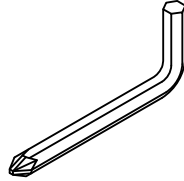
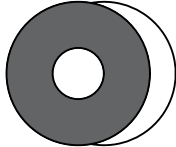
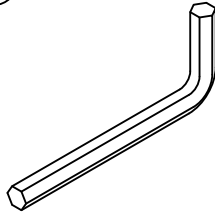
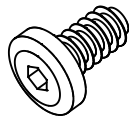
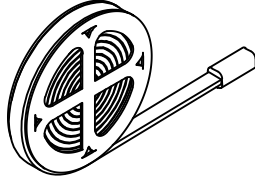
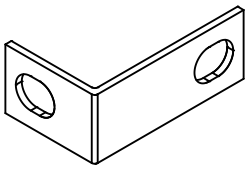
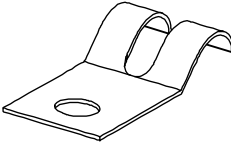
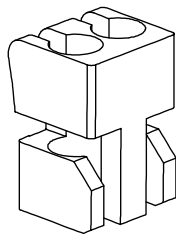
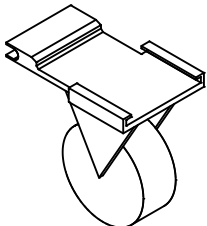
COMPONENTS ID Nr.

Part Nr.	Qty	Part Nr.	Qty	Part Nr.	Qty
1	1pcs	2	1pcs	3	1pcs
4	1pcs	5	1pcs	6	1pcs
7	1pcs	8	1pcs	9	1pcs
10	2pcs	11	2pcs	12	1pcs
13	2pcs	14	2pcs	15	1pcs
16	2pcs	17	1pcs	18	2pcs
19	2pcs	20	4pcs		



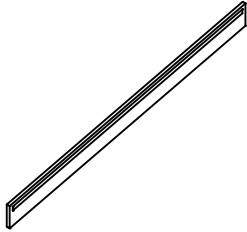
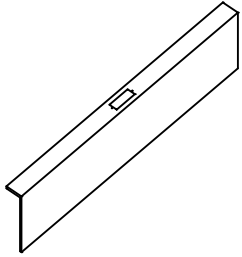
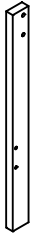

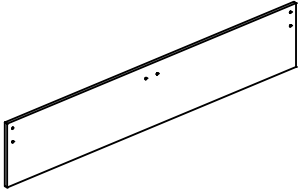
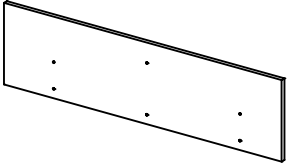
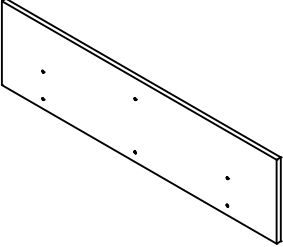
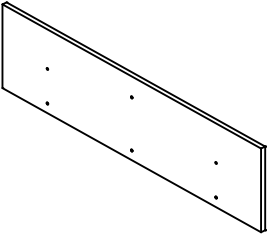
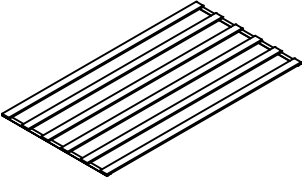
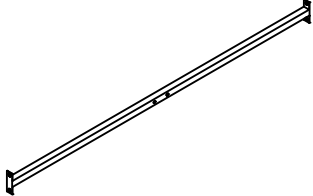
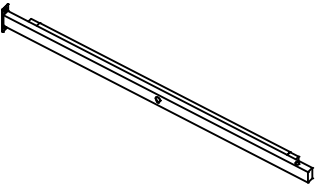
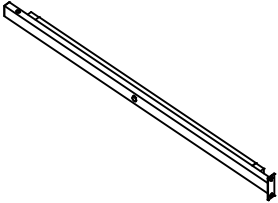
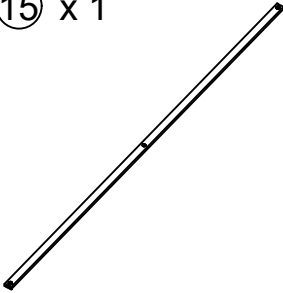
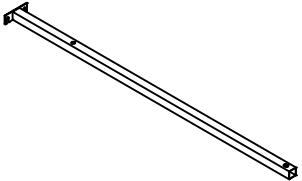
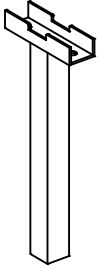
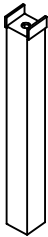
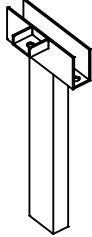
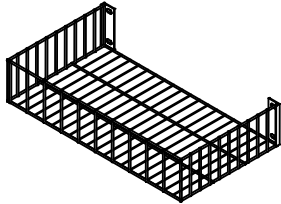


Note: Don't tighten all screws during installation.

HARDWARE LIST

<p>Ⓐ x 40</p>  <p>M8x16mm</p>	<p>Ⓑ x 8</p>  <p>M8x45mm</p>	<p>Ⓒ x 5</p>  <p>M8x50mm</p>	<p>Ⓓ x 2</p>  <p>D3x15mm</p>
<p>Ⓔ x 1</p> 	<p>Ⓕ x 2</p> 	<p>Ⓖ x 1</p>  <p>#4</p>	<p>Ⓗ x 1</p> 
<p>Ⓚ x 1</p>  <p>#5</p>	<p>Ⓛ x 24</p>  <p>M6x15mm</p>	<p>Ⓜ x 1</p> 	<p>Ⓝ x 10</p> 
<p>Ⓞ x 4</p> 	<p>Ⓡ x 8</p> 	<p>Ⓢ x 16</p> 	

HARDWARE LIST

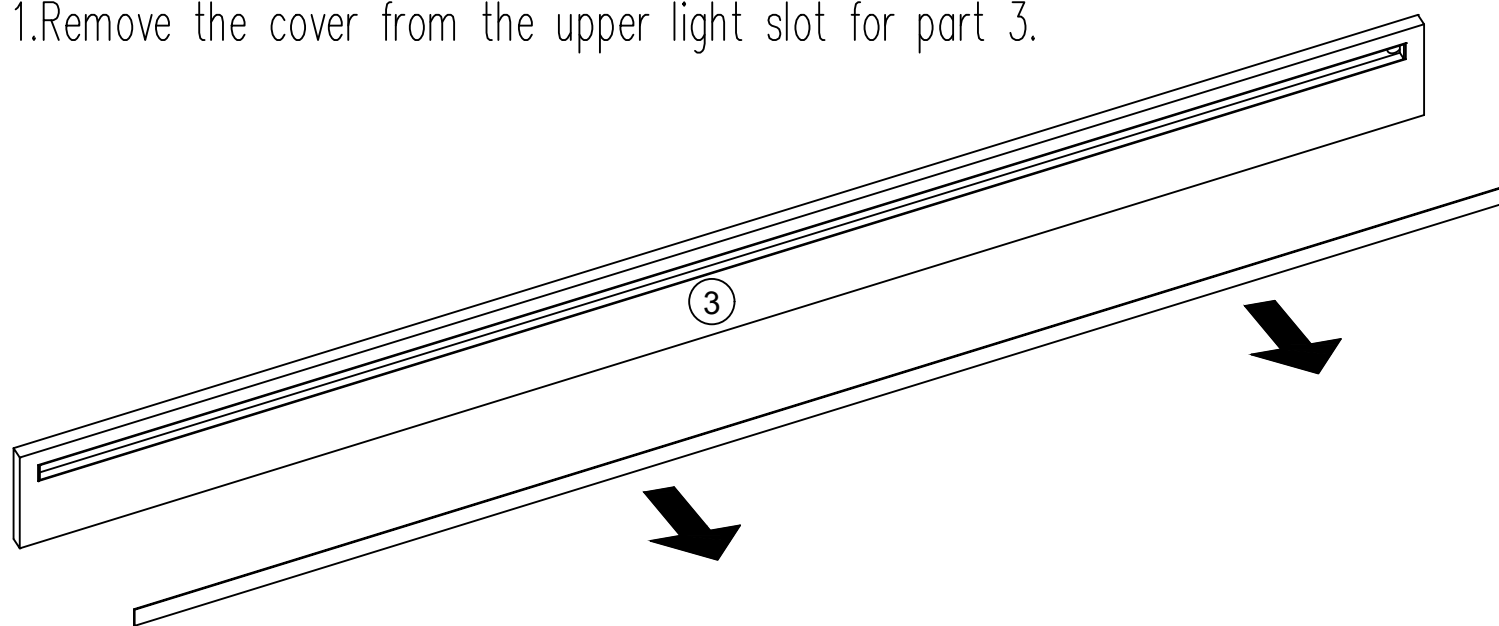
① x 1 	② x 1 	③ x 1 	④ x 1 
⑤ x 1 	⑥ x 1 	⑦ x 1 	⑧ x 1 
⑨ x 1 	⑩ x 2 	⑪ x 2 	⑫ x 1 
⑬ x 2 	⑭ x 2 	⑮ x 1 	⑯ x 2 
⑰ x 1 	⑱ x 2 	⑲ x 2 	⑳ x 4 

1

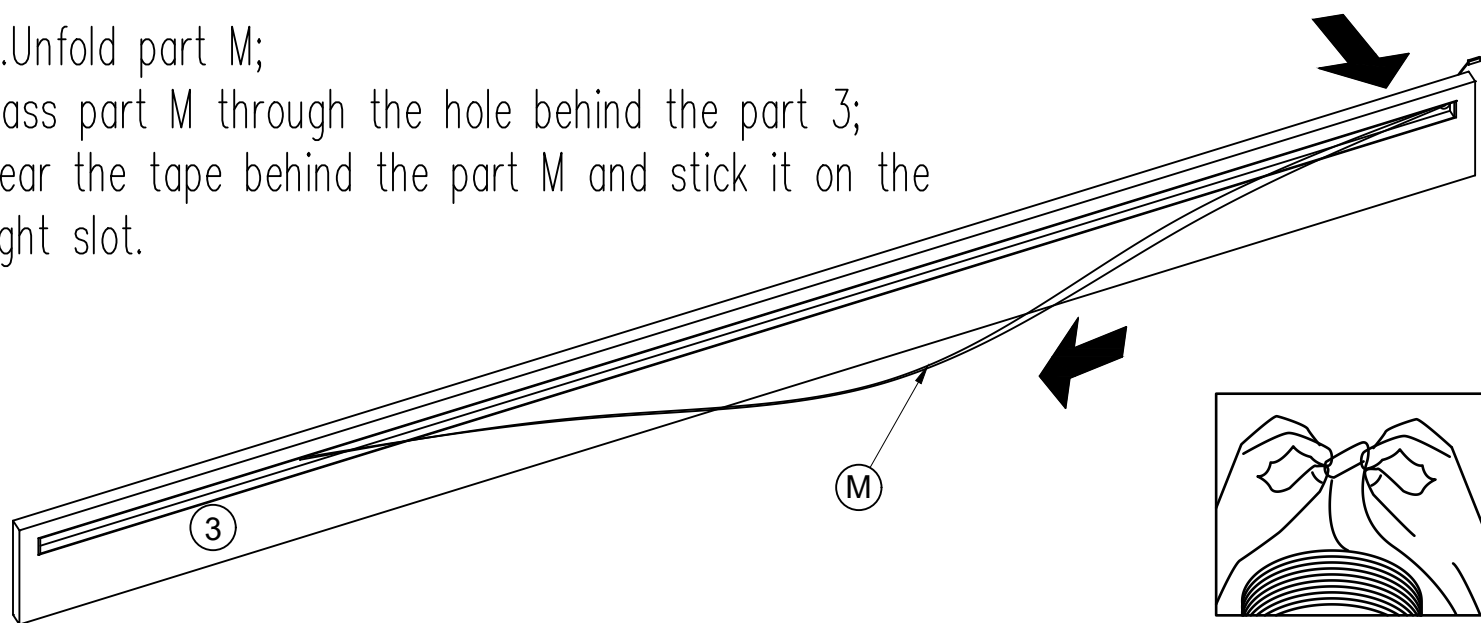


(M) x 1

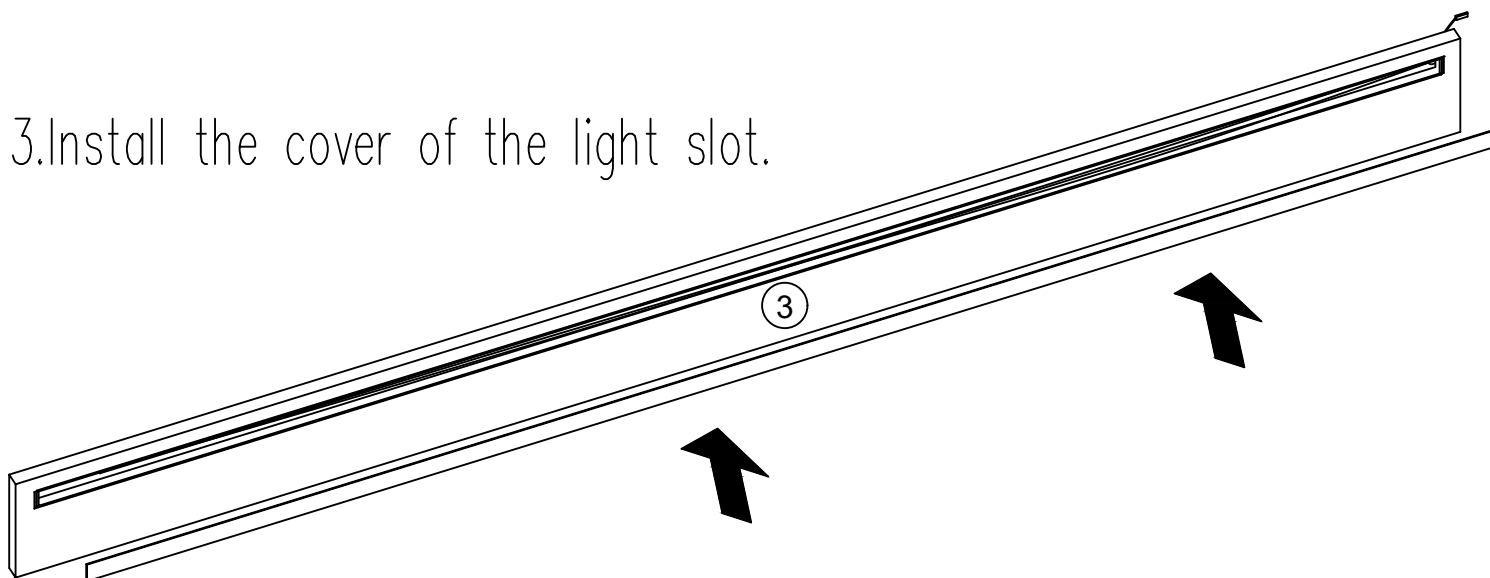
1.Remove the cover from the upper light slot for part 3.



2.Unfold part M;
Pass part M through the hole behind the part 3;
Tear the tape behind the part M and stick it on the
light slot.



3.Install the cover of the light slot.

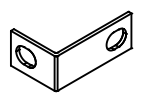


2

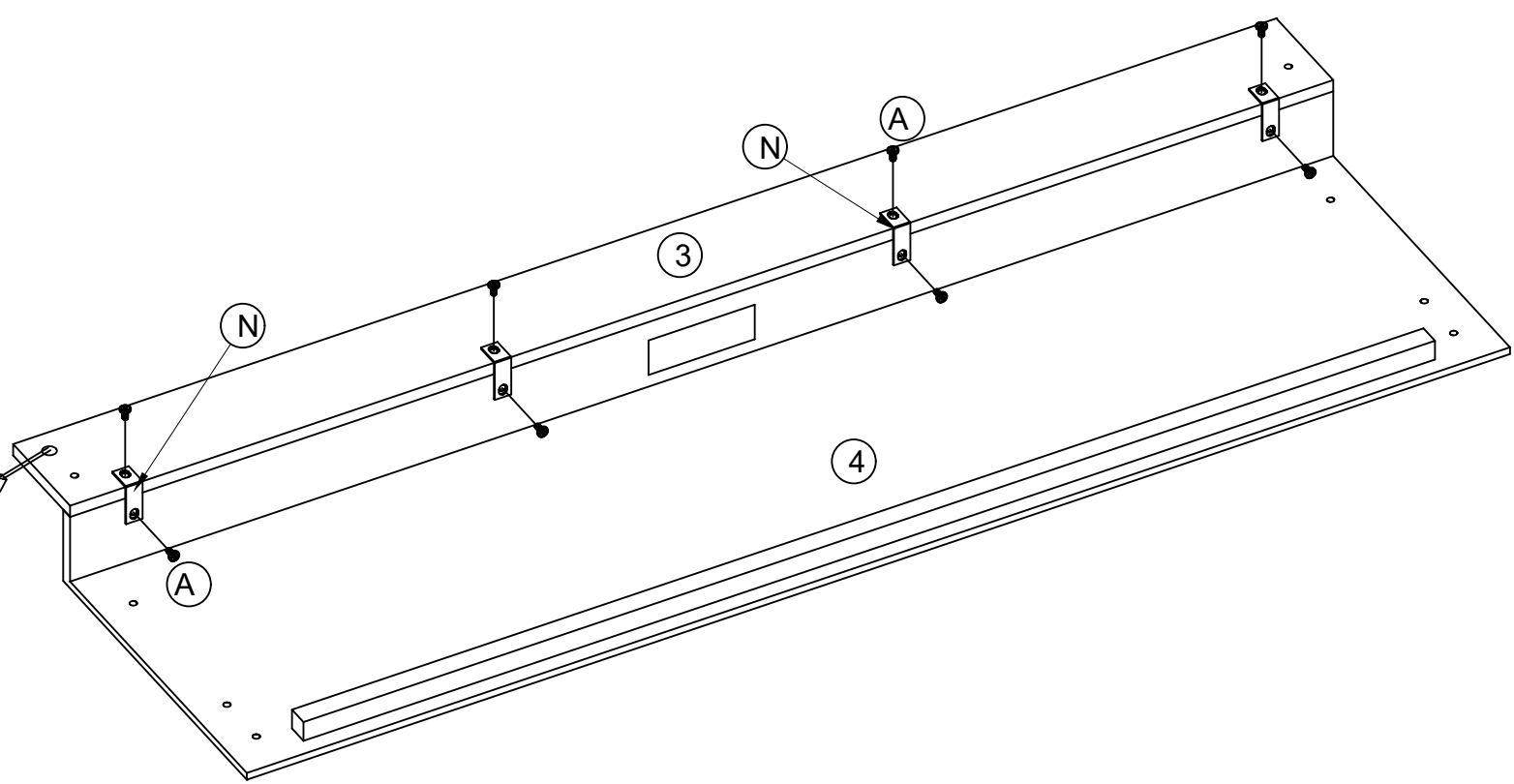
M8x16mm



(A) x 8



(N) x 4



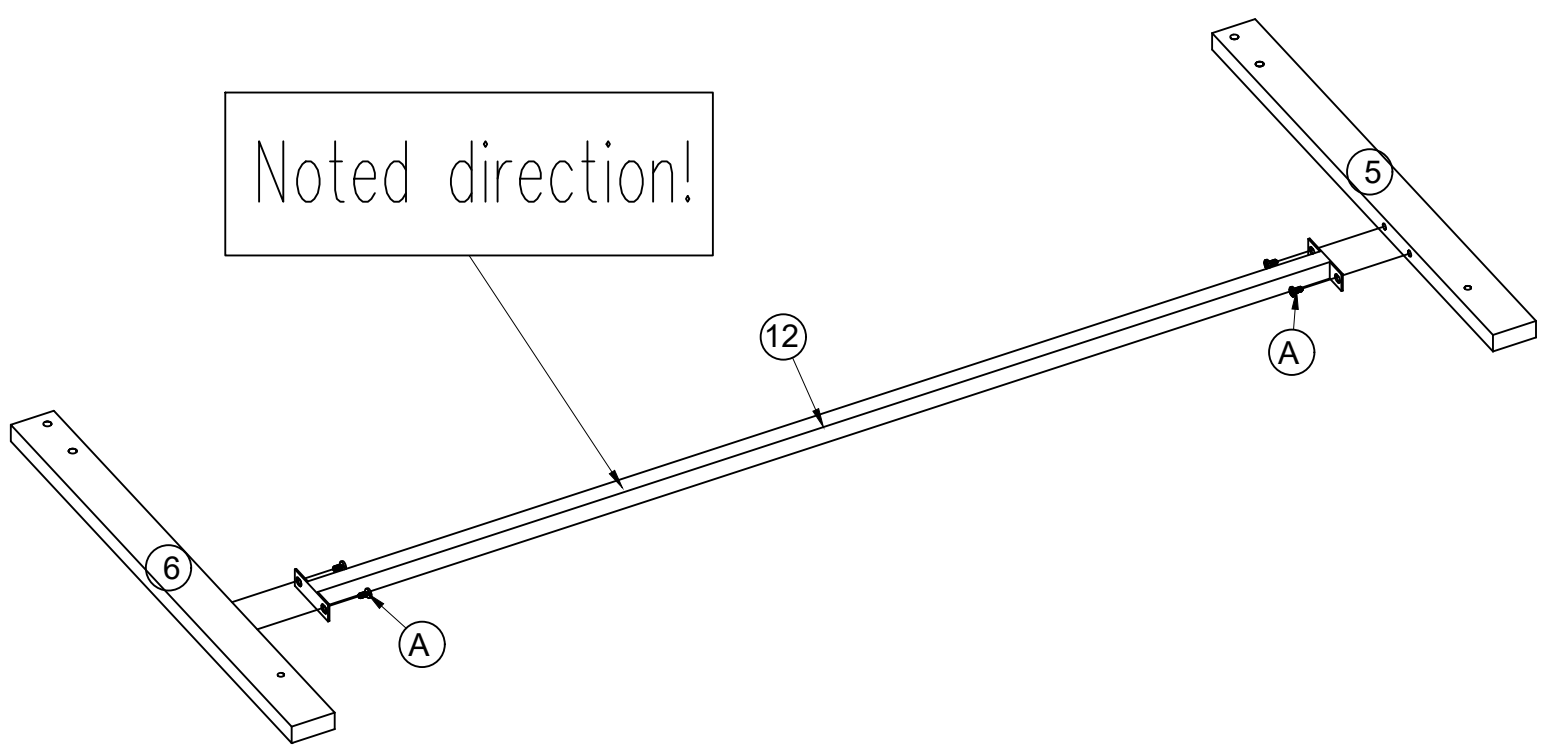
3

M8x16mm



(A) x 4

Noted direction!



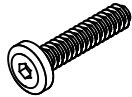
4

M8x16mm

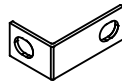
M8x45mm



(A) x 4

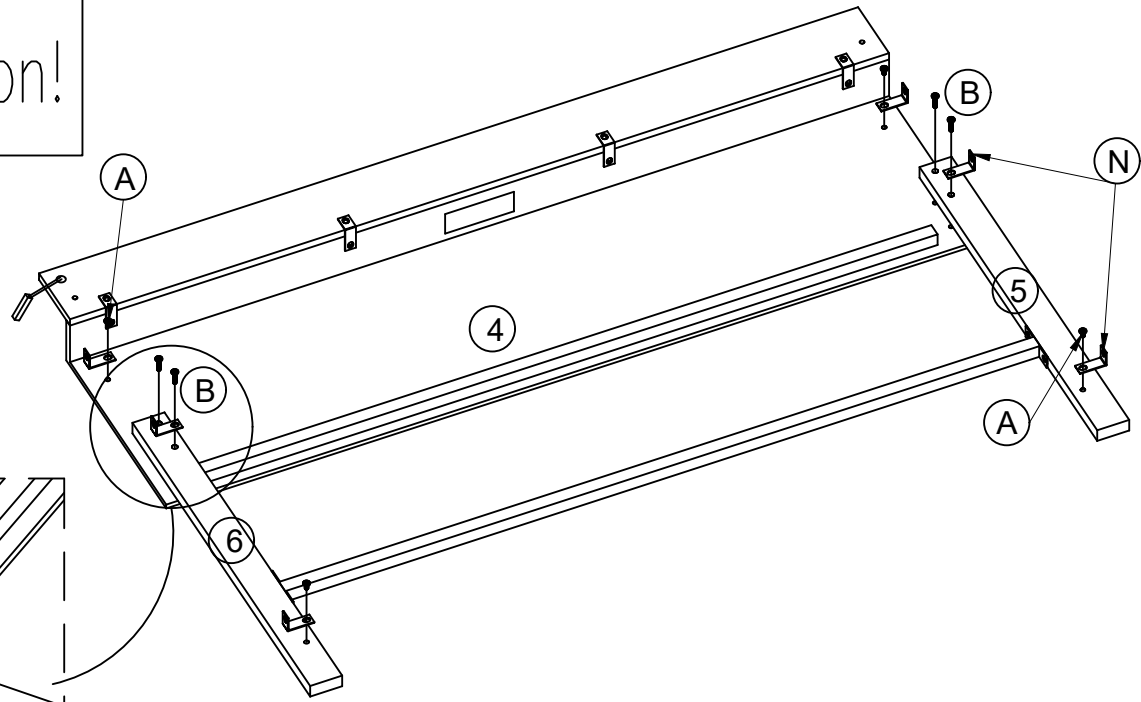


(B) x 4



(N) x 6

Noted direction!

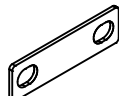


5

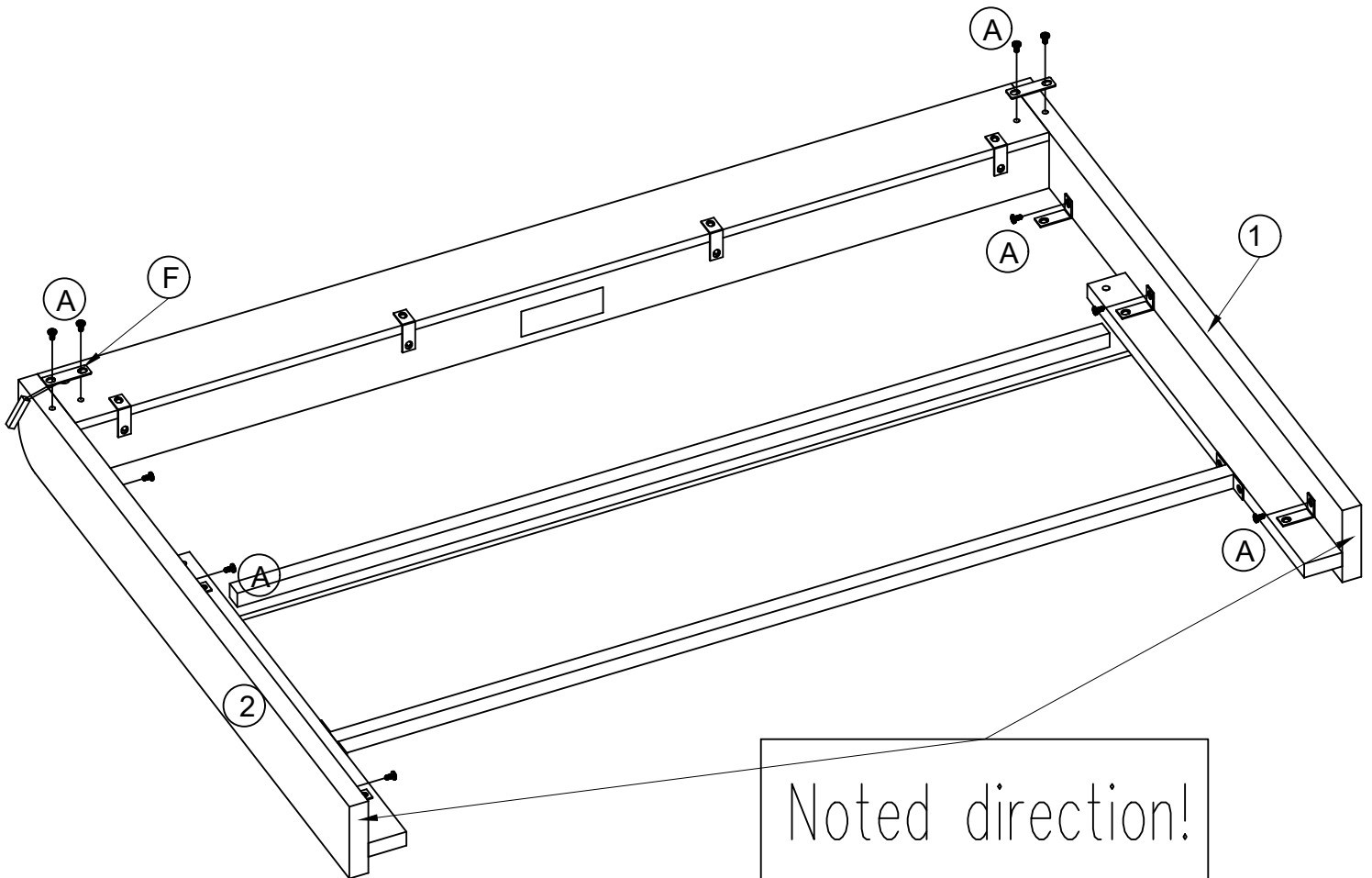
M8x16mm



(A) x 10

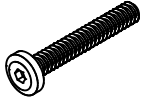


(F) x 2

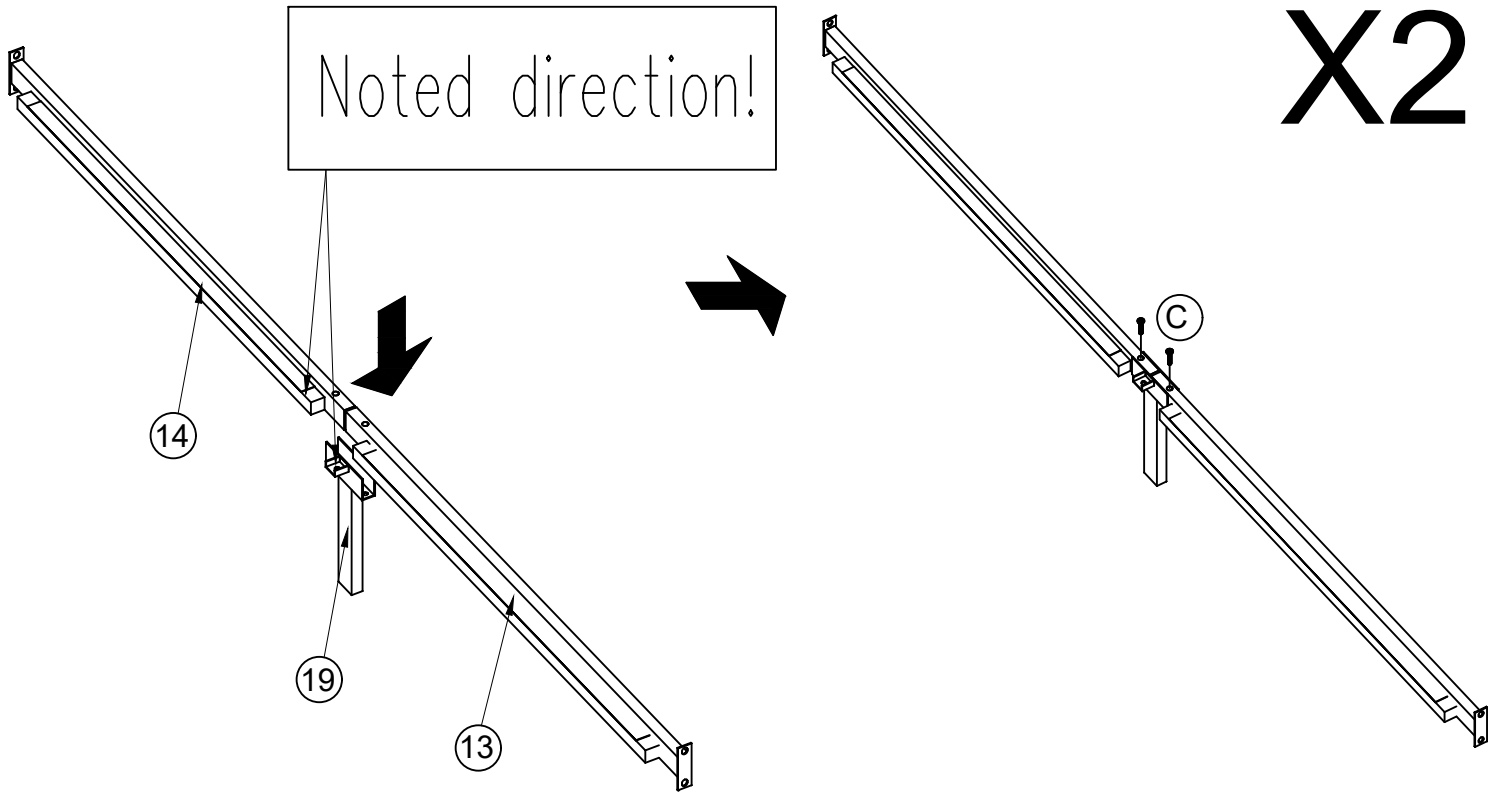


6

M8X50mm

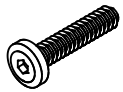


(C) x 4

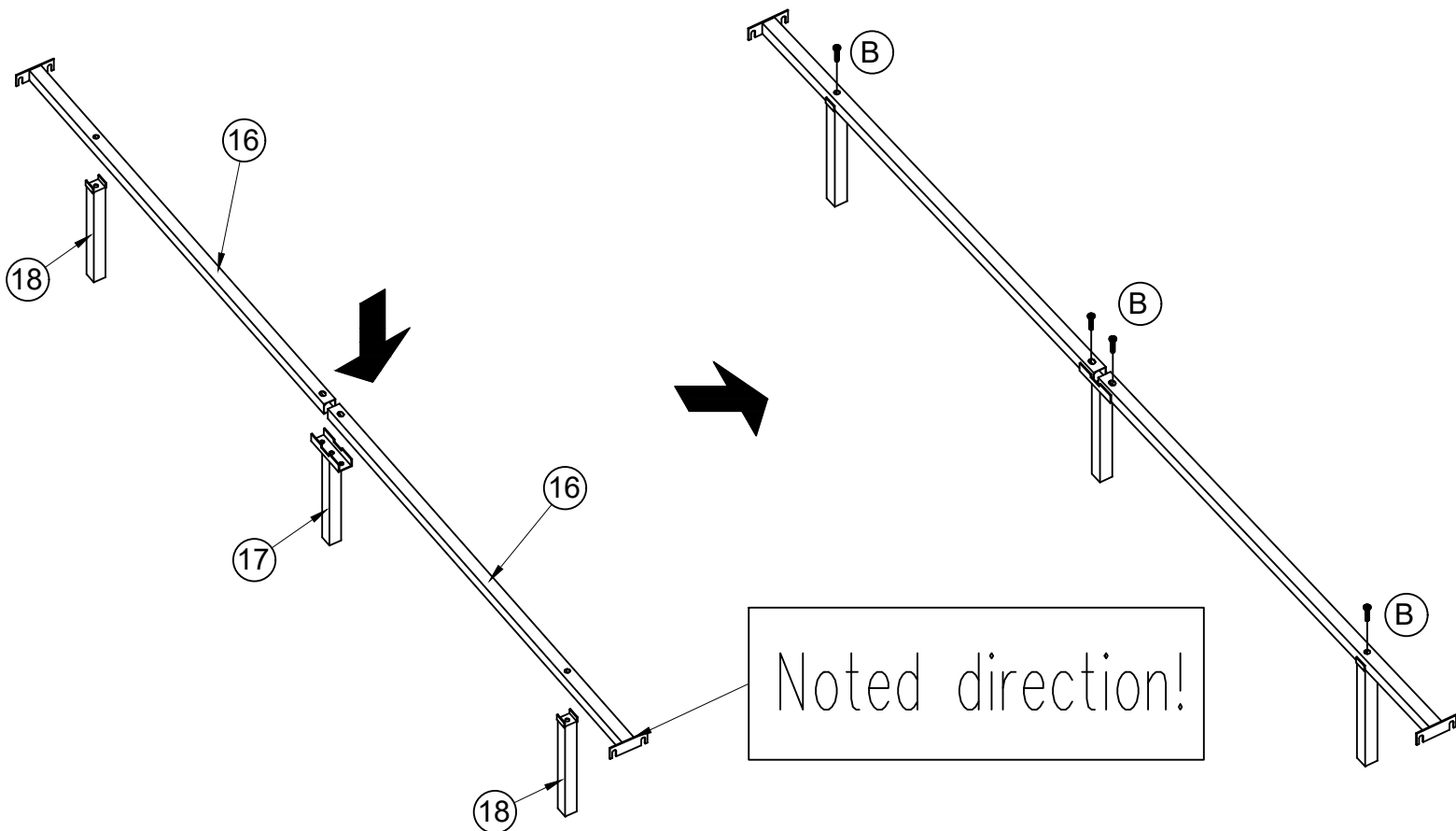


7

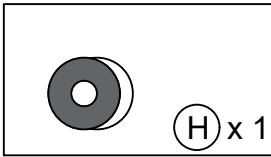
M8x45mm



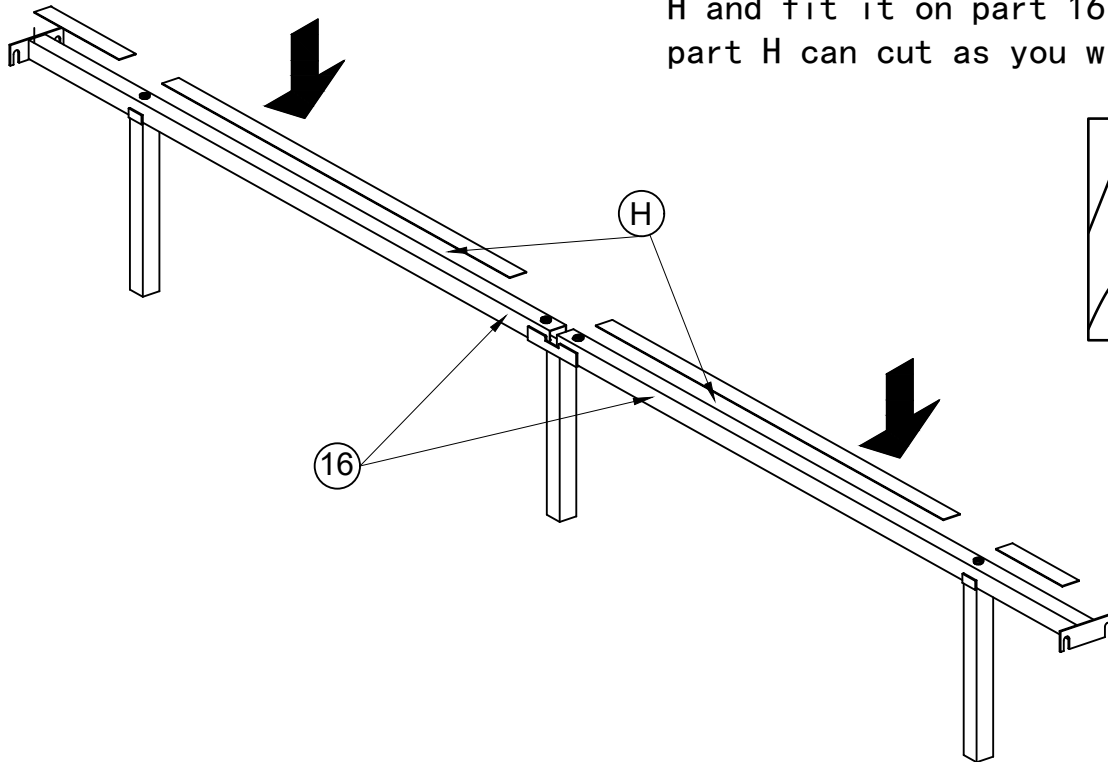
(B) x 4



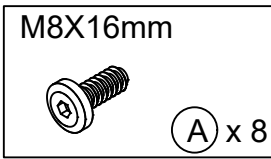
8



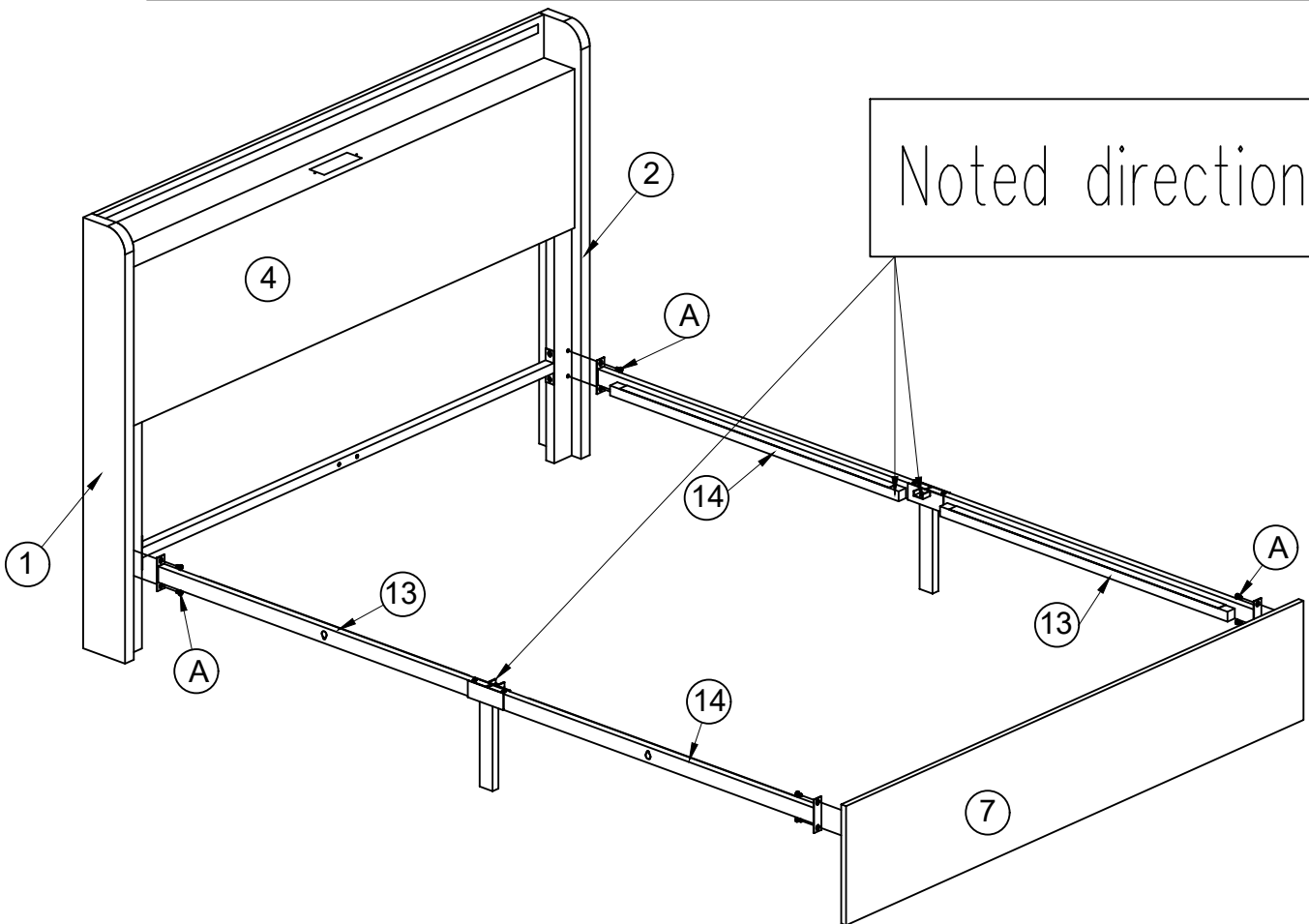
To prevent friction noise, unroll part H and fit it on part 16, the length of part H can cut as you will.



9



Noted direction!

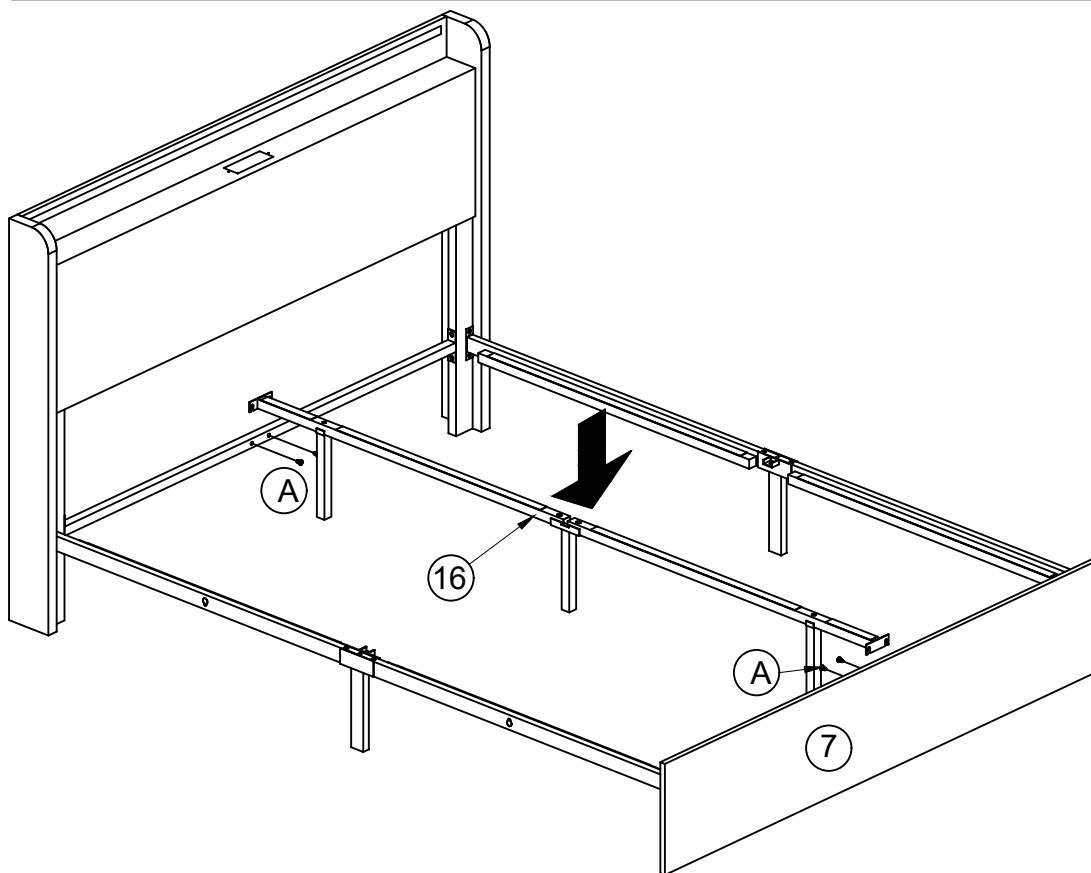


10

M8x16mm

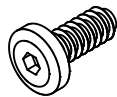


(A) x 4



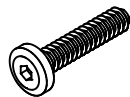
11

M8x16mm



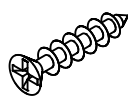
(A) x 2

M8x50mm



(C) x 1

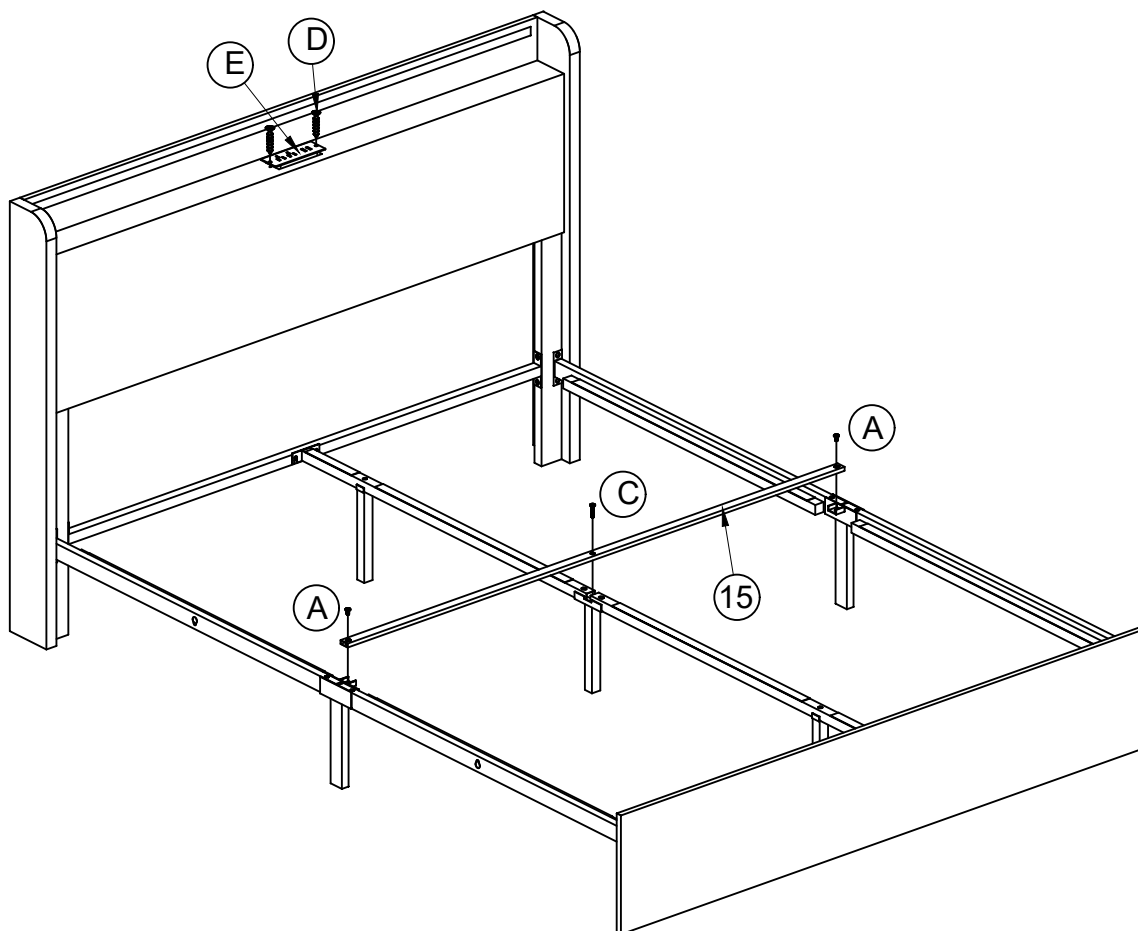
D3x15mm



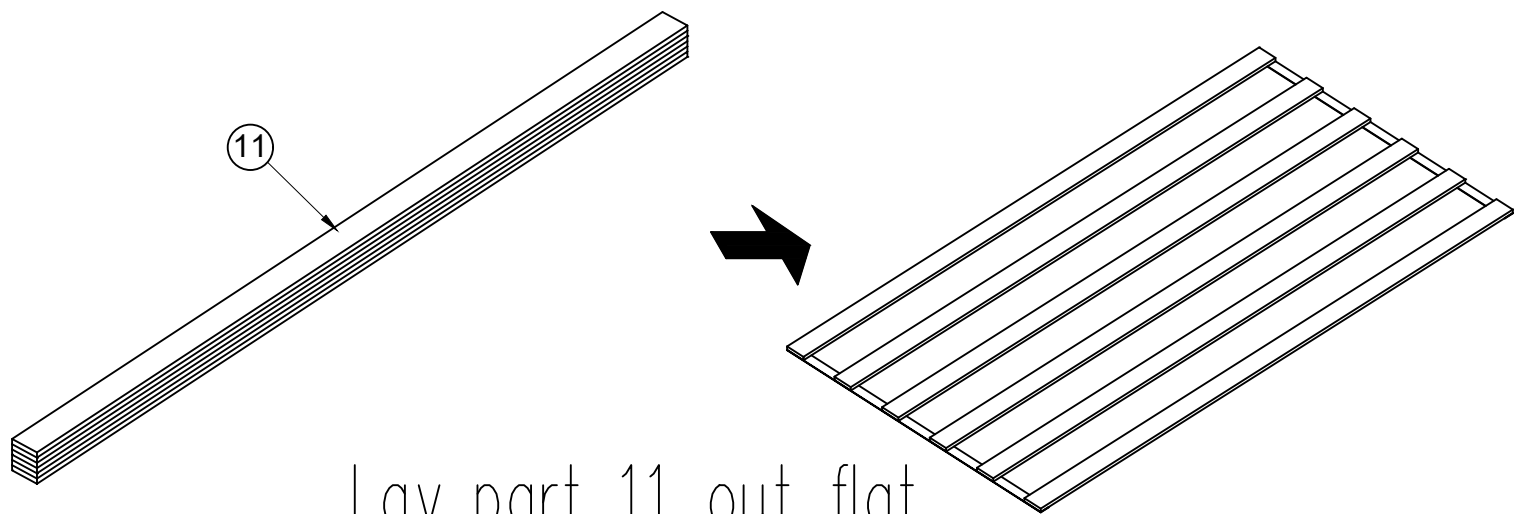
(D) x 2



(E) x 1

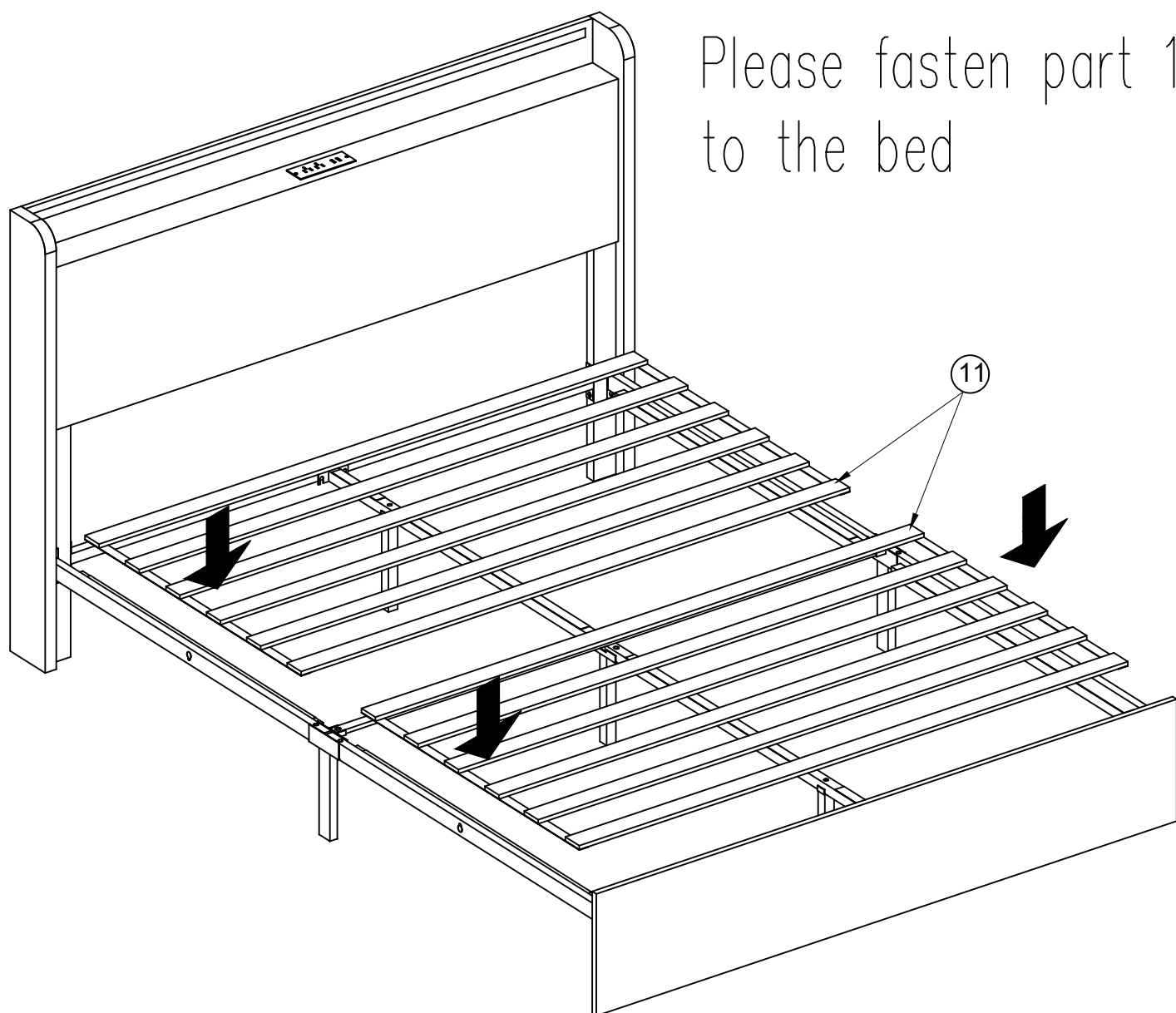


12

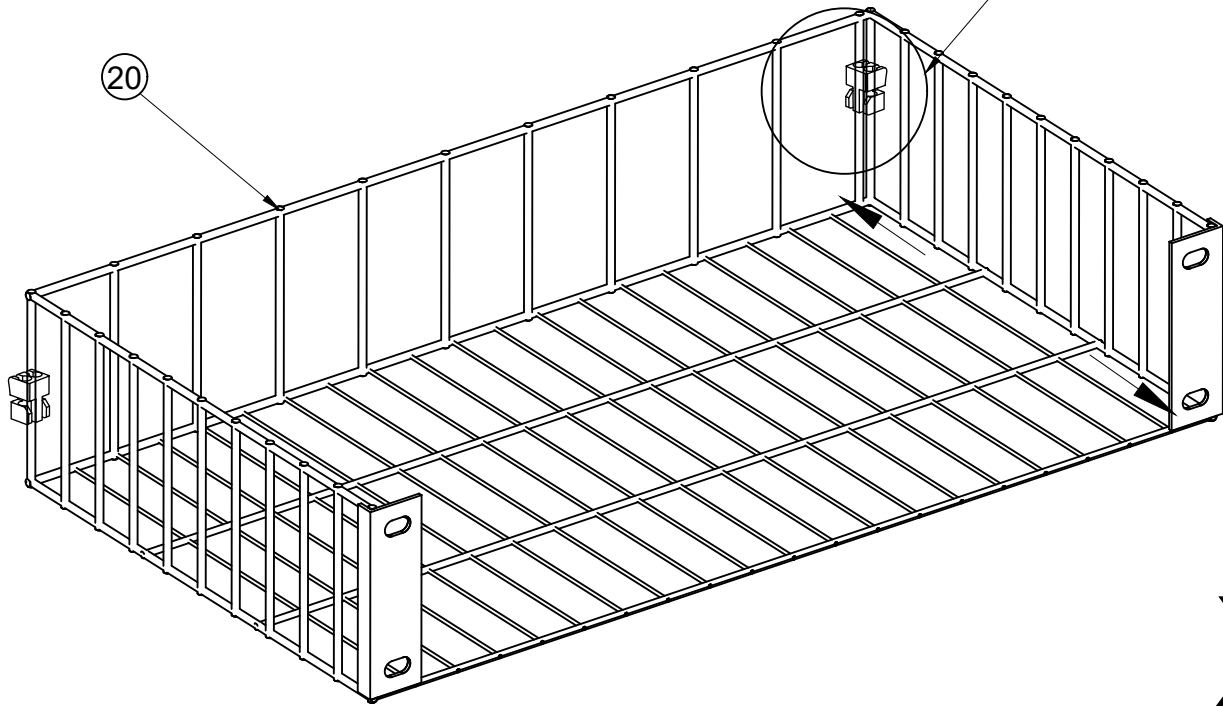
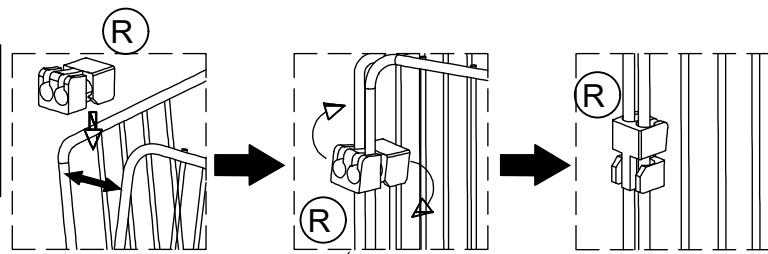
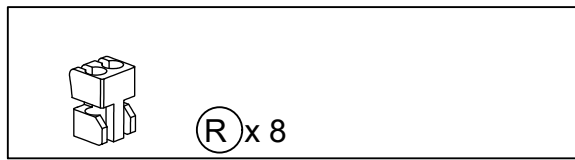


Lay part 11 out flat

Please fasten part 11 to the bed

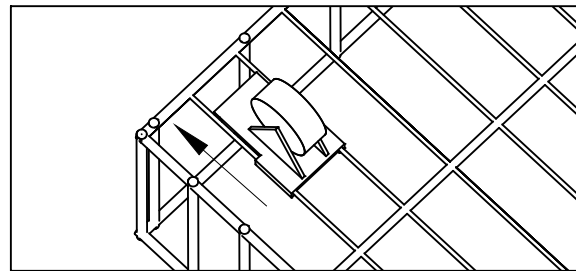
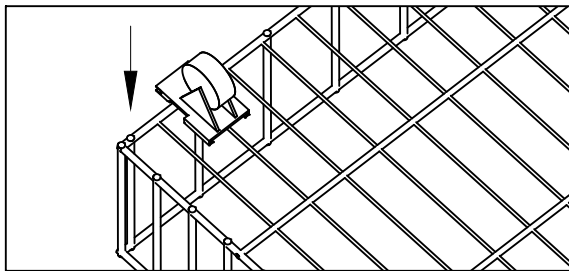
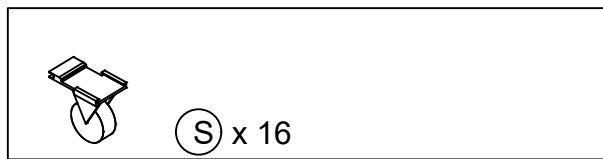


13

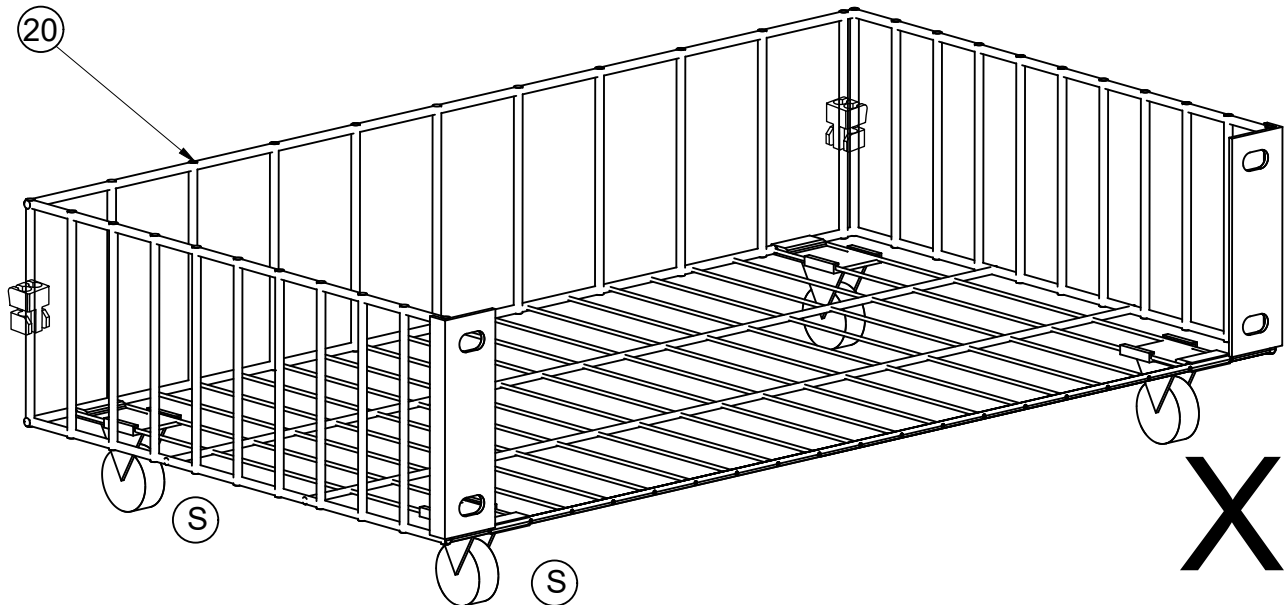


X 4

14



20



X 4

15

M6X15mm

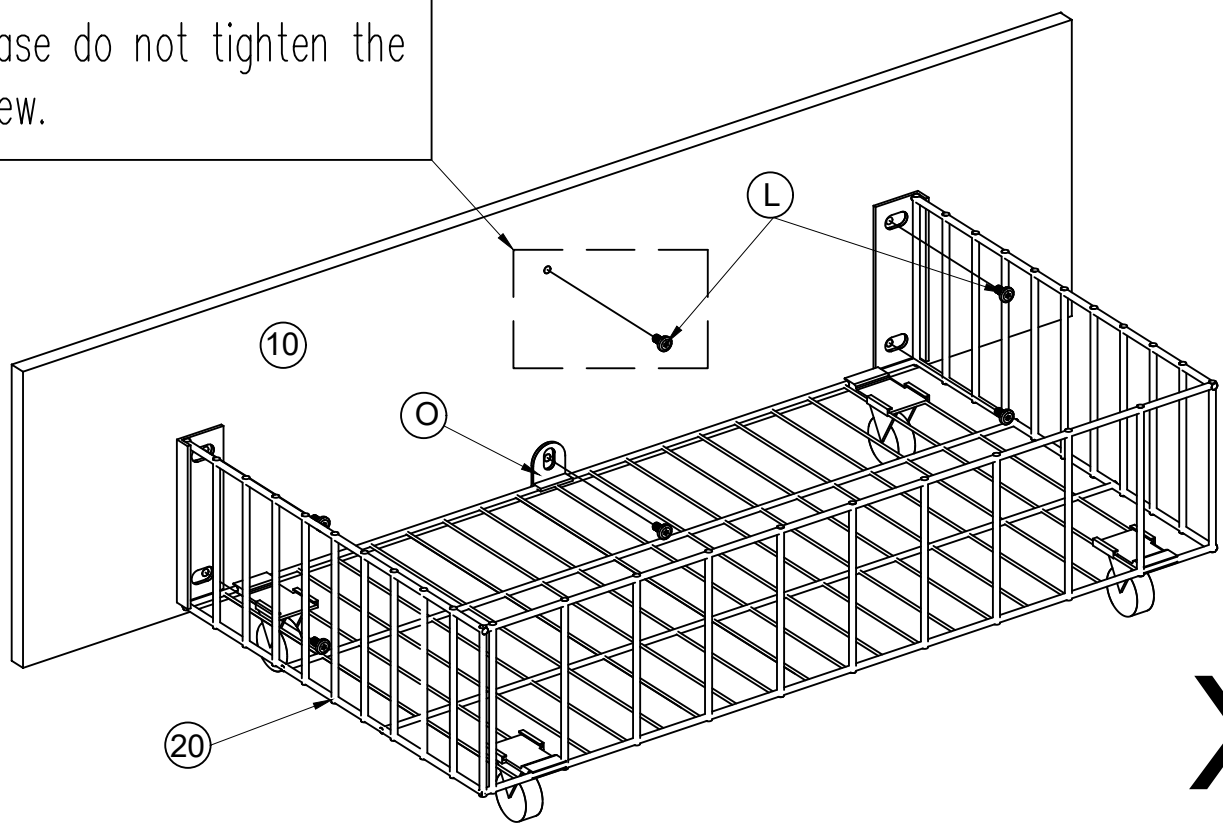


L x 24



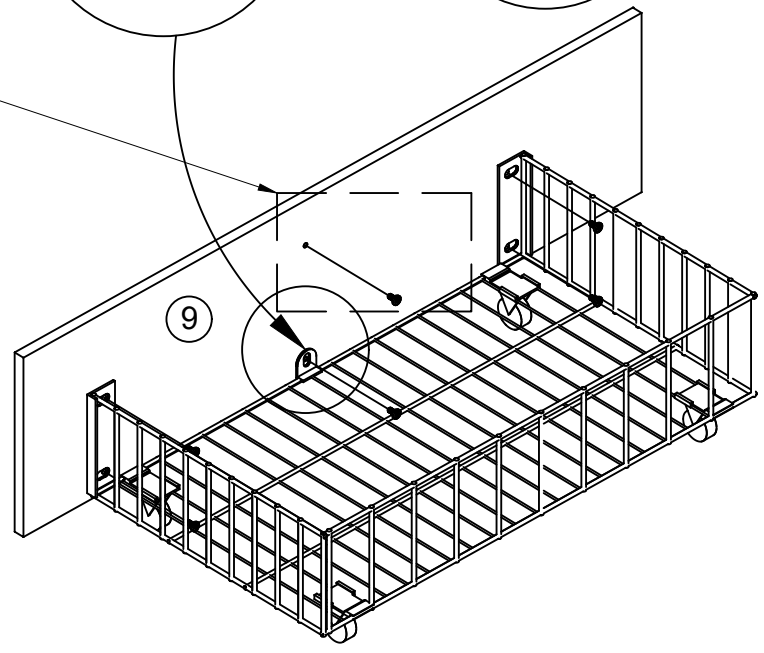
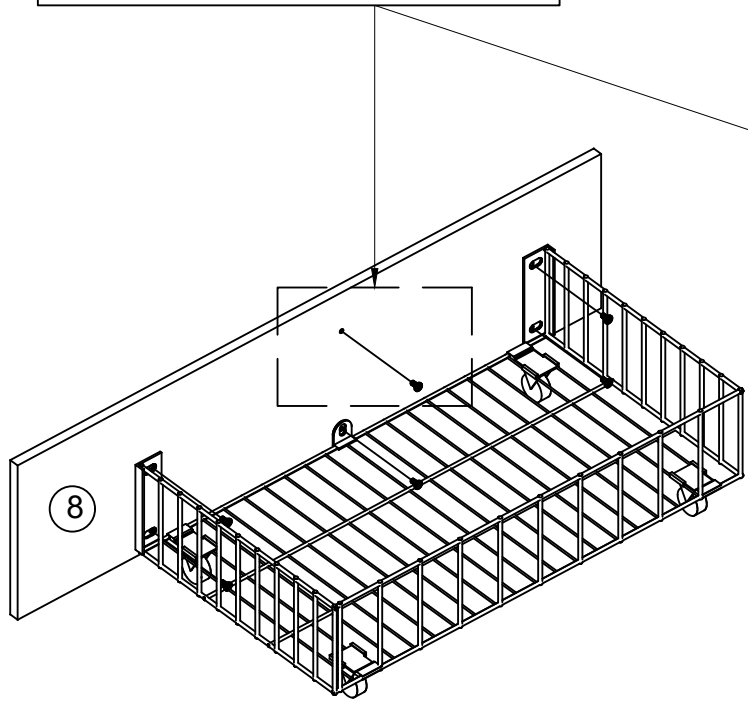
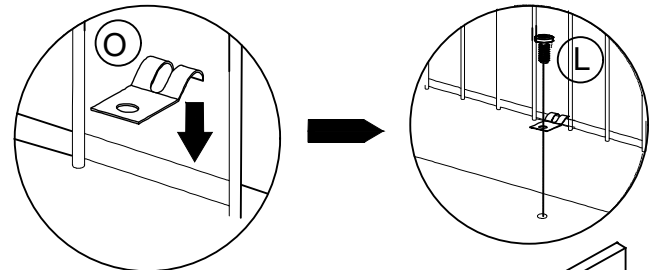
O x 4

Please do not tighten the screw.

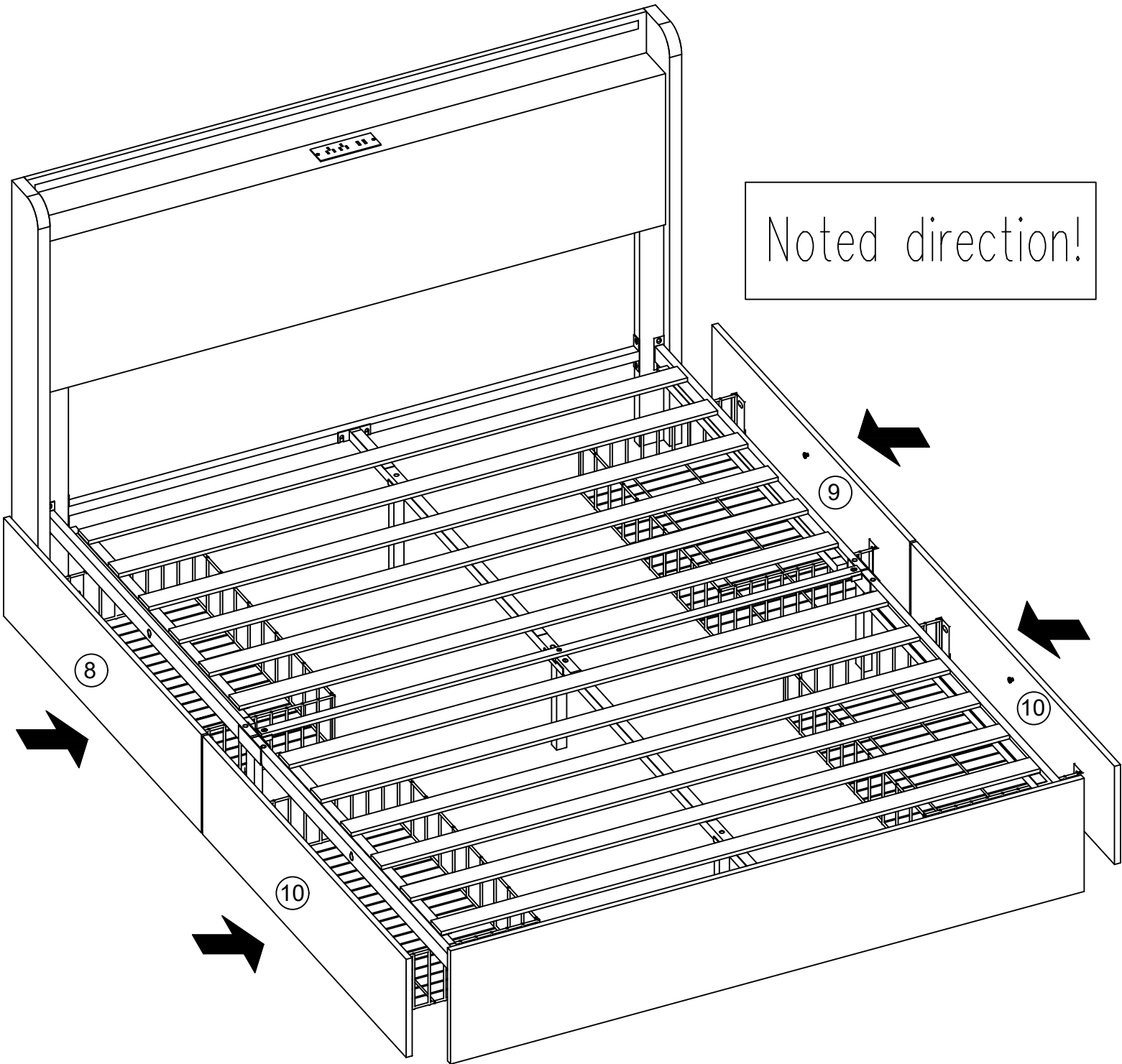
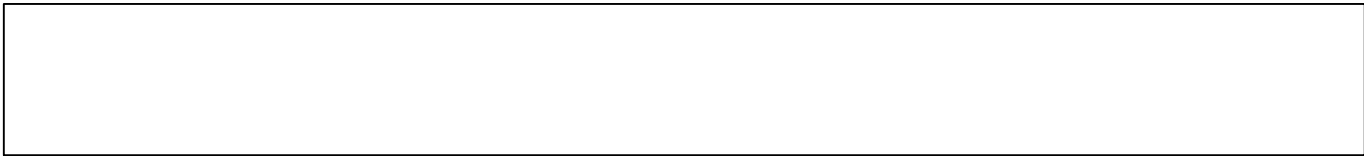


X 2

Please do not tighten the screws.



16



17

Finished assembly

