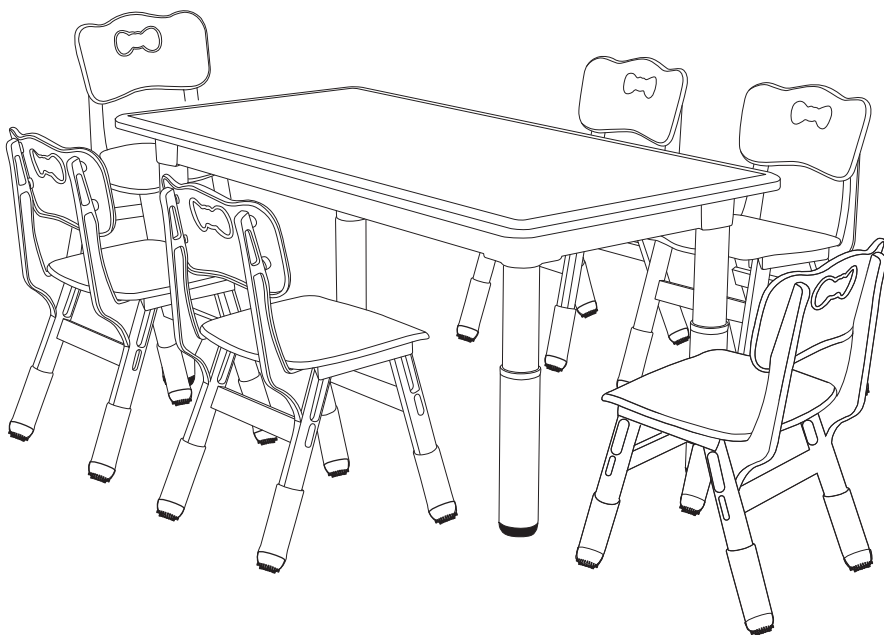


Kids Table and 4 Chairs Set

KT-TC05



USER MANUAL

Read before Installation

1. There may be some error in the manual measurement.
2. Color will be slightly different due to lighting and display etc.
3. Use screws to fix in different holes to adjust the height of the tables and chairs.
4. Table Leg Spinner can be rotated to adjust the height to suit different ground types.
5. After graffiti on the desktop with water-based markers, wipe with a damp cloth as soon as possible to keep the desktop clean.

Specification

Color: Pink/Mint Green/Beige/Blue

Material: Plastic and fireproof board

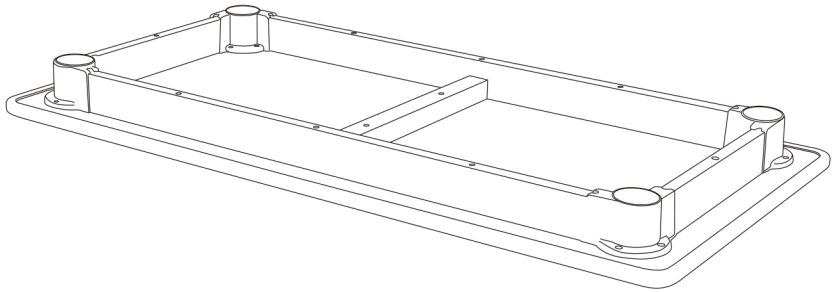
Table Size: 47.2(L)*23.6"(W)*18.9"/23.6"(H)

Chair Size: 11.8"(L)*11"(W)*20.8"/22.4"(H)

Weight: 46.3lbs

Package Include

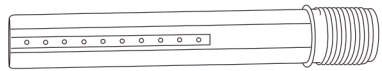
A



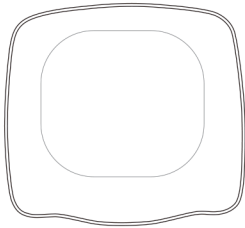
Bx4



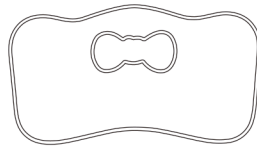
Cx4



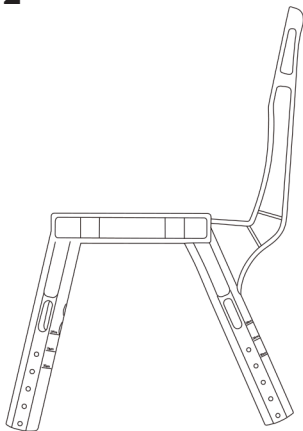
Dx6



Ex6



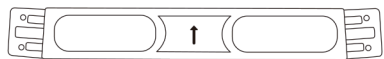
Fx12



Gx24



Hx12



Ix152

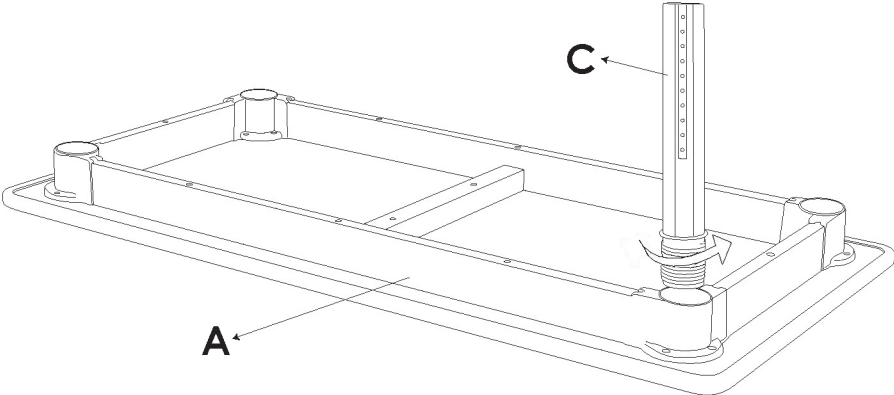


Jx24

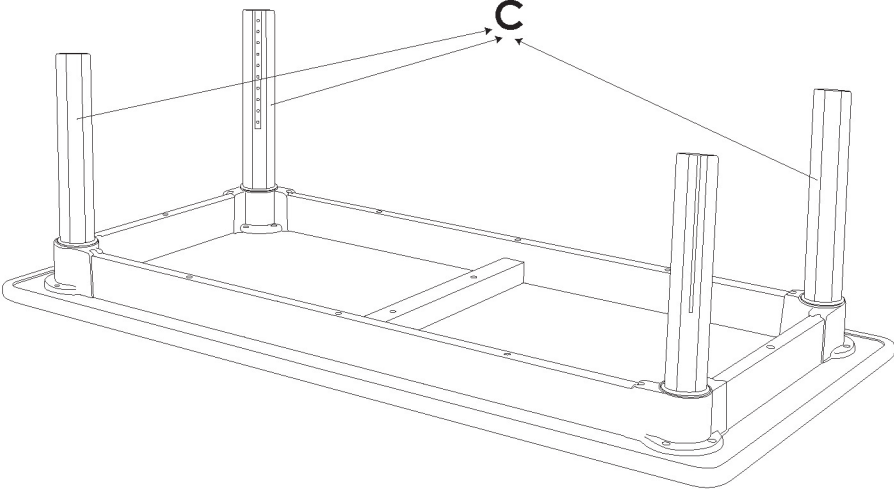


Installation Steps

STEP 1 Connect the four white legs to the desk.

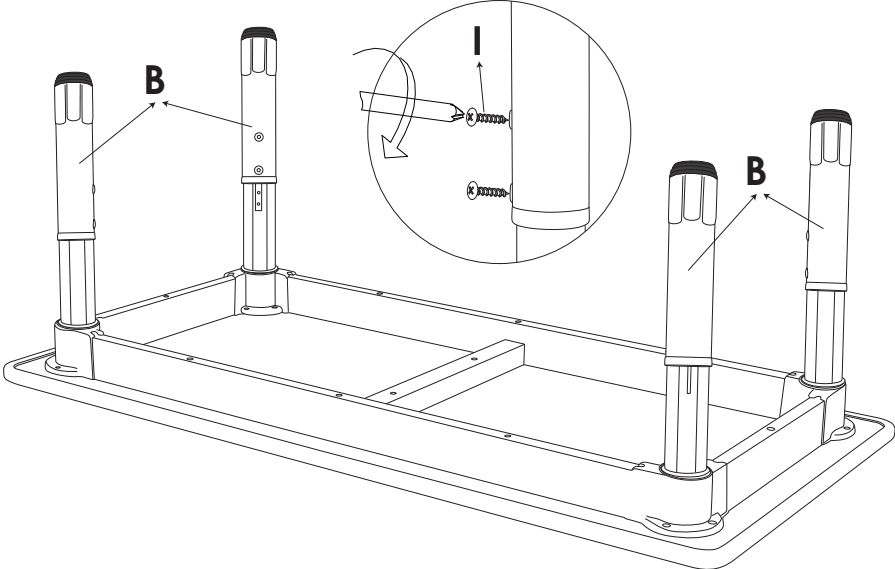


STEP 2 Connect the four blue/pink legs to the white legs.



Installation Steps

STEP 3 Find the right height and fix the two leg parts with screws.

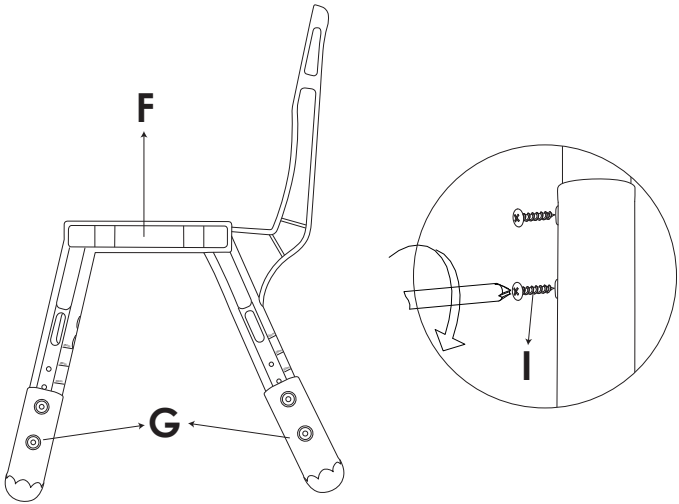


STEP 4

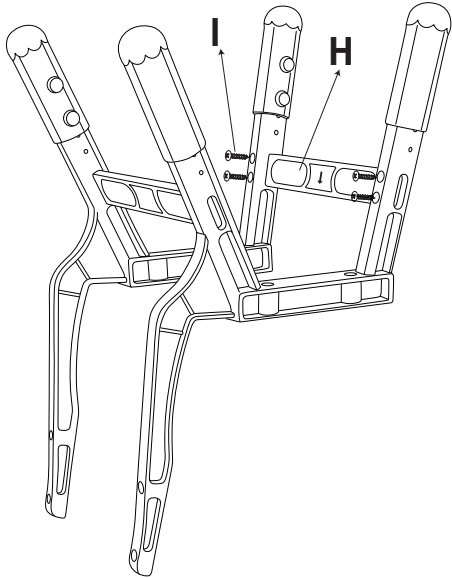


Installation Steps

STEP 5 Connect the chair frames to blue/pink chair legs.

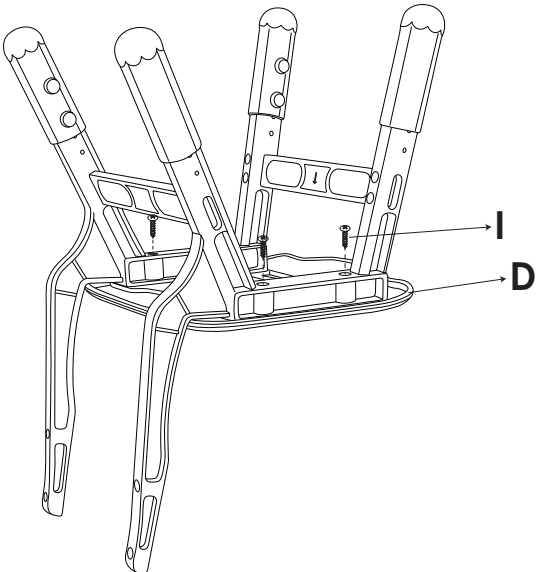


STEP 6 Connect two chair frames with chair crossbars.



Installation Steps

STEP 7 Fix the seat plate and seat plate of the chair.



STEP 8 Find the appropriate height and fix the screws.

