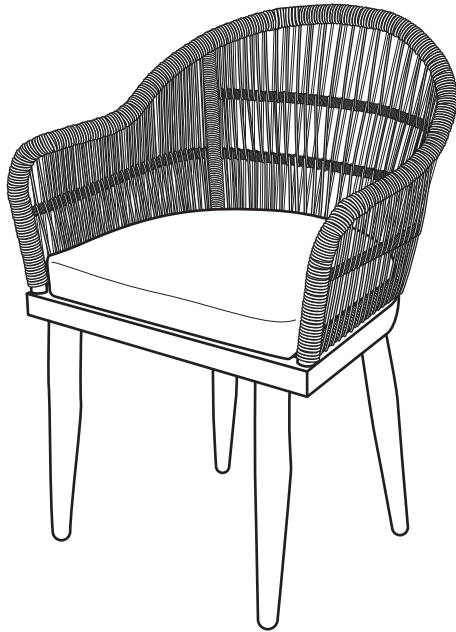


PURPLE LEAF

est. 2013



Outdoor Dining Chair



ASSEMBLY AND OPERATION GUIDE

Warnings and Cautions

Please retain this instruction for future usage and read carefully before assembly.

Make sure you have all the parts & hardware as item list shows.

2 adults are recommended to install your chair.

Do not discard any of the packaging until you have checked that you have all the parts and pack of fittings.

Check all bolts for tightness before use, and periodically check and tighten bolts ensure your chair works properly.

Some parts might have sharp edges/corners. Please follow basic safety precautions to reduce the risk of hurts.

Notes

- 1. Please cover and store the chair when not in use.*
- 2. Please take care of the item carefully during daily use.*
- 3. Please wash the cushion cover by hand instead of machine to protect it from defects.*

CHOKER HAZARD

THIS ITEM CONTAINS SMALL PARTS WHICH CAN BE SWALLOWED BY CHILDREN.

PLEASE KEEP IT AWAY FROM CHILDREN UNDER 3 YEARS OLD AND PETS DURING INSTALLATION.

Check List



A x 1



Right back

A4 x 1



Right front

A1 x 1



F x 1



G x 12
(M6x14mm)



Left front

A2 x 1



H x 12
(M6x16x1.0)



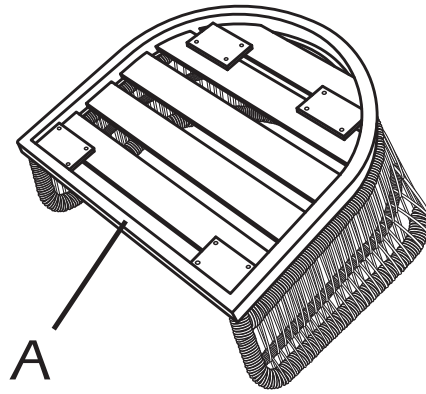
Left back

A3 x 1

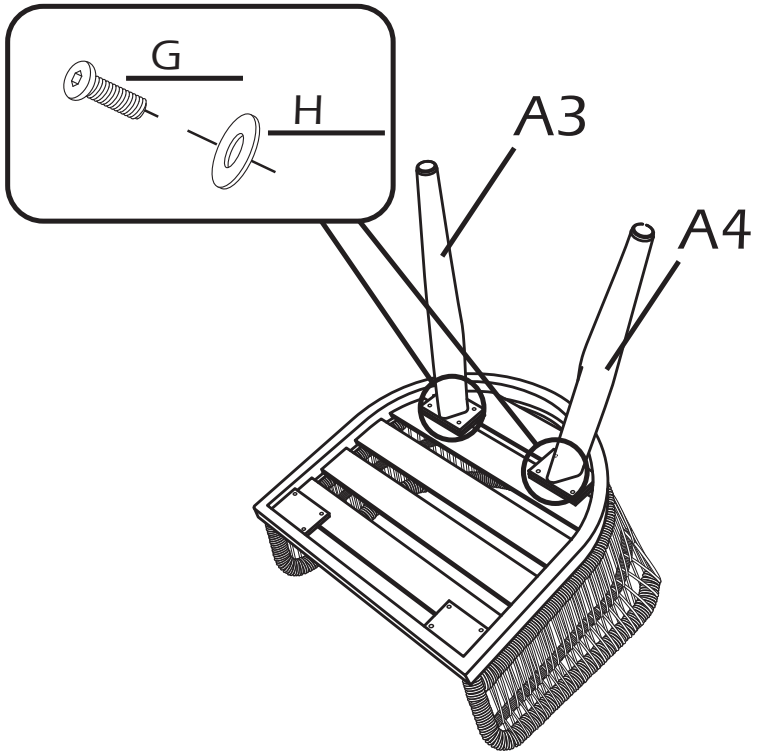


I x 1
(4M)

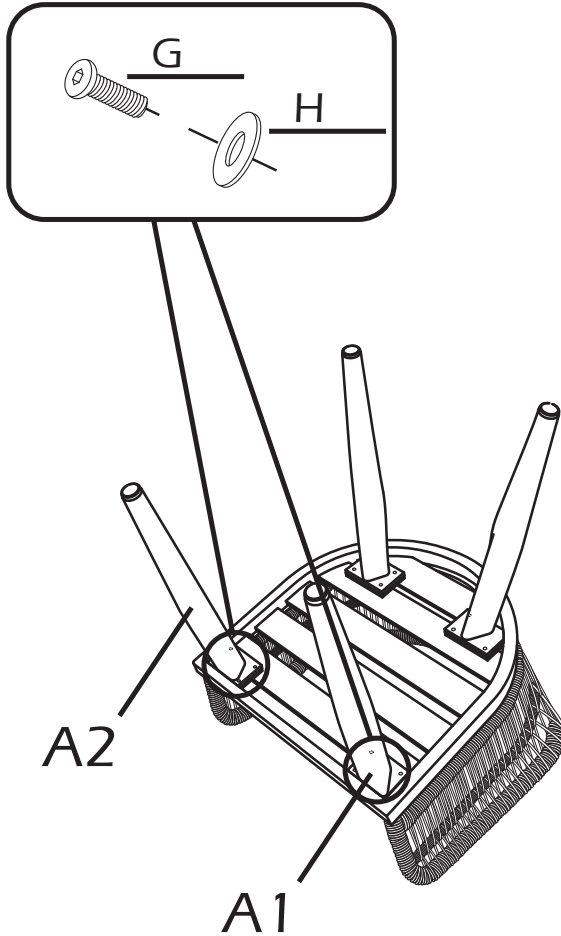
①

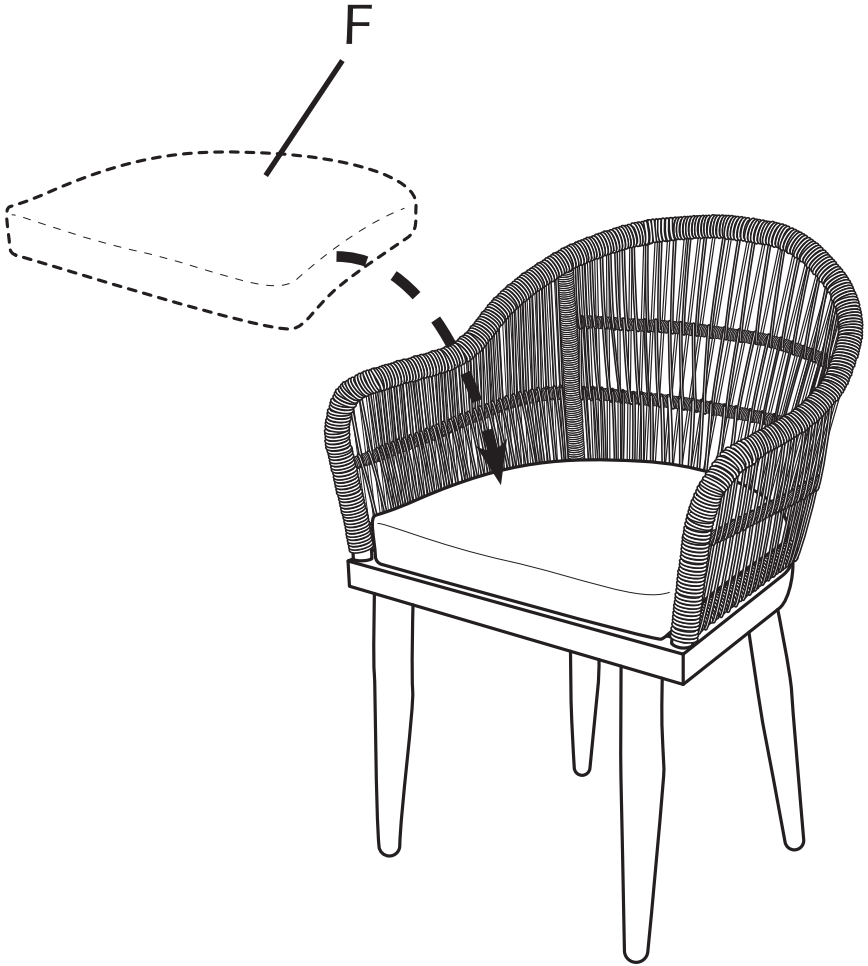


②



③





WARRANTY

Frames

Frames constructions are warranted to be free from defects in material and workmanship for 1 year from item purchased. Damage to frame from negligence won't be covered by this warranty.

Bolts & Nuts

Bolts and nuts are warranted to be free from defects in material and workmanship for 1 year from item purchased. Damage from exposure to chemicals (including not only oils, spills, fluids) won't be covered by this warranty.

Cushions and Ropes

Cushions and Ropes are warranted to be free from defects in material and workmanship for 1 year from item purchased. Damage from exposure to chemicals (including but not only oils, spills, fluids) won't be covered by this warranty.

Warranty Limitation

This warranty is for the original purchase order only. (Order number required). This warranty is non-transferable. Purple Leaf is responsible for the free replacement part including shipping charges for the 1 year warranty.

Warranty Exclusion

This warranty does not cover products subject to negligence, abuse usage, inappropriate installation. Purple Leaf reserves the right to explain warranty exclusions. When the replacement item is applied, the 1 year warranty automatically expires. Please feel free to contact us for applying warranty.



Purple Leaf Inc.
1820 E Locust St, Ontario
CA, 91761, US
furniture4@purpleleafgarden.com
©Copyright 2013-2024 Purple Leaf Inc.
All Rights Reserved.V.1