











# ASSEMBLY INSTRUCTIONS

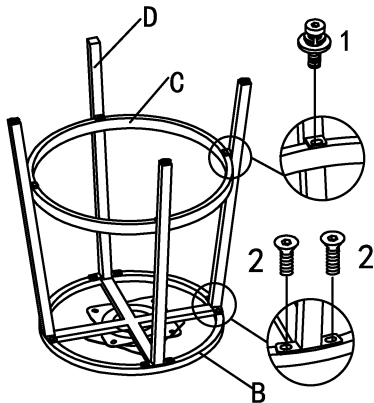
Don't tighten any Bolts until all Bolts on a step have been started.

Thank you for purchasing this quality product. Be sure to check all packing material carefully for small parts, which may have come loose inside the carton during shipment. Identify and count all parts and compare with the HARDWARE LIST below.

NO.	PARTS LIST		PARTS NO.	Q' TY
A		Wooden Seat	B1120-25WP1	1 pre-assy
		Top Ring	B1101-25WP2	
B		Swivel	B1100-25WP3	1 pre-assy
		Middle Ring	B1100-25WP4	
C		Bottom Ring	B1100-25WP5	1
D		Legs	B1100-25WP6 / B1100-30WP6	4
E		Seat Back	B1101-25WP8	1

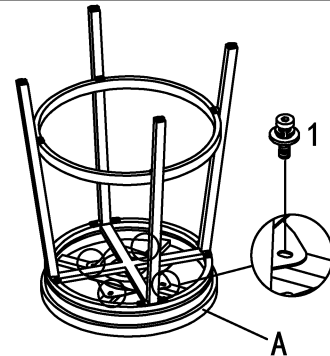
NO.	PARTS LIST		PARTS NO.	Q' TY
1		Ø 1/4"X5/8" Bolt	B1101-25WP7	8
2		Ø 1/4"X1/2" Bolt		8
3		Ø 5/16"X3/4" Bolt		3
4		Allen Wrench 4mm		1
5		Allen Wrench 5mm		1

## STEP 1



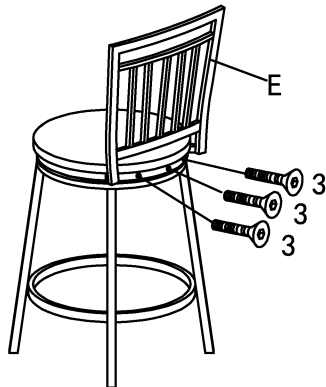
1. Attach the four Legs (D) to the Middle Ring w/ swivel (B), using Bolts (2) and Allen Wrench (4) to tighten, as shown
2. Attach the Bottom Ring (C) to the Legs, using Bolts (1) and Allen Wrench (4) to tighten, as shown.

## STEP 2



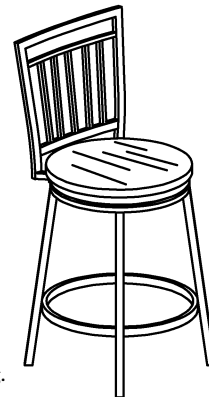
1. Upside down the Wooden Seat w/ top ring (A) and put it on a smooth and stable working stand.
2. Attach the assembled Legs frame to the Seat w/ top ring (A), using Bolts (1) and Allen Wrench (4) to tighten, as shown.

## STEP 3



1. Right side up the Leg frame.
2. Attach the Seat Back (E) to the Wooden Seat w/ top ring (A), using Bolts (3) and Allen Wrench (5) to tighten, as shown.

## STEP 4



1. It's complete for using.

Caution: 1. All bolts must be tightened mandatorily in each step.  
2. It is also mandatorily recommended to periodically check bolts and retighten as needed.