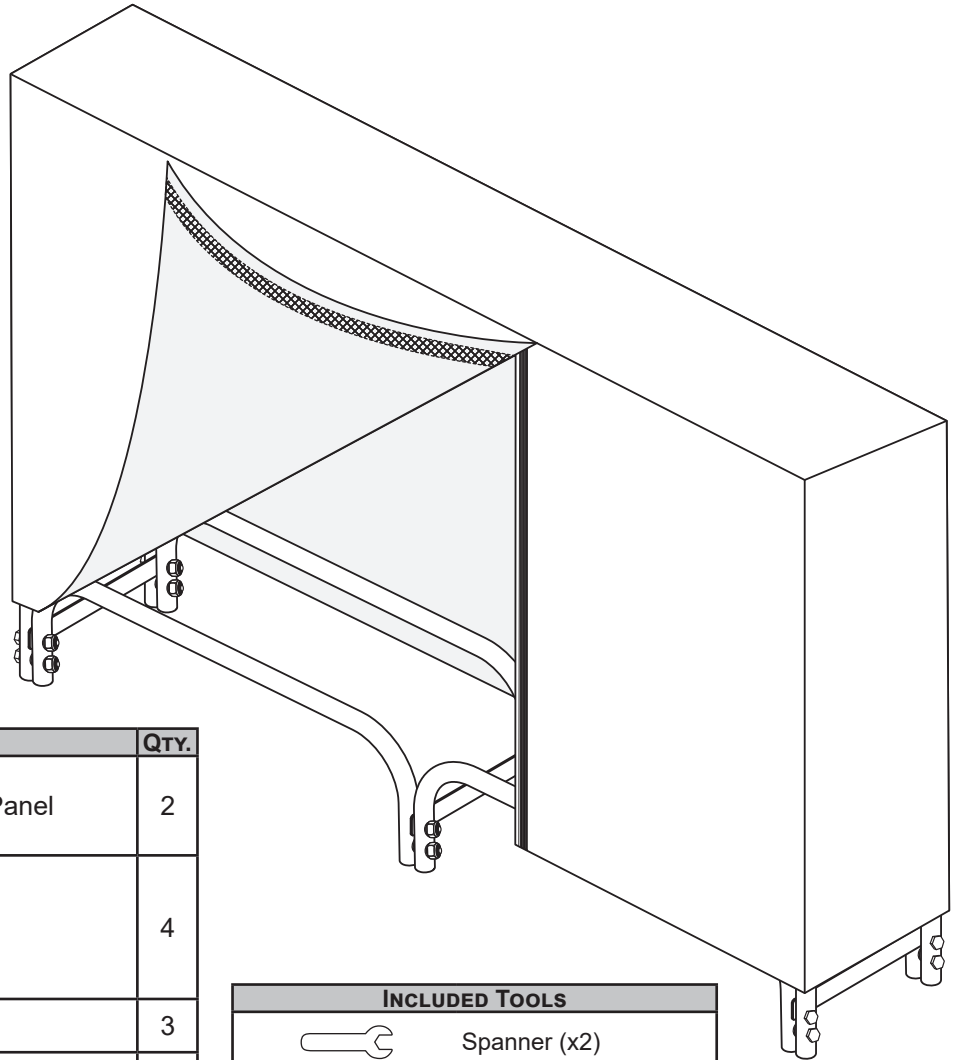




Purchase Date: \_\_\_ / \_\_\_ / \_\_\_ Order/Customer Reference Number: \_\_\_\_\_

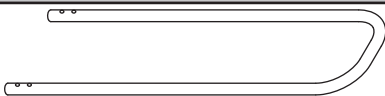
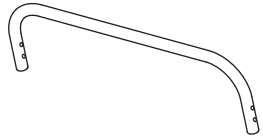





We stand behind our brand and the quality of the items we sell. Replacement parts or products can be requested within the 1-year warranty period. Proof of purchase must be provided. This includes the date of the purchase as well as photos of the product defect. Photos are used to determine the cause of the defect and to provide future quality control. The request will be reviewed, and replacement pieces will be sent at our discretion.

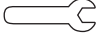
# 8-FOOT LOG RACK WITH COVER

Review all assembly and care information before using this product. Save this manual for future reference.  
**Assemble components on a soft, clean surface to avoid damaging the finish.**



 Inspect packaging to ensure all parts are accounted for before disposing of packing materials.  
 Save the packing slip.

No.	PARTS		QTY.
A		End Panel	2
B		Rail	4
C		Brace	3
D		M8x75mm Bolt	12
E		Lock Nut	12
F		Washer	18
G		Cover	1

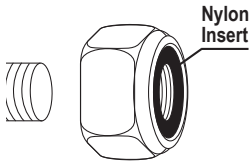
INCLUDED TOOLS	
	Spanner (x2)

**! WARNING !**  
**CHOKING HAZARD** — This item contains small parts that can be swallowed. Keep children and pets away during assembly.

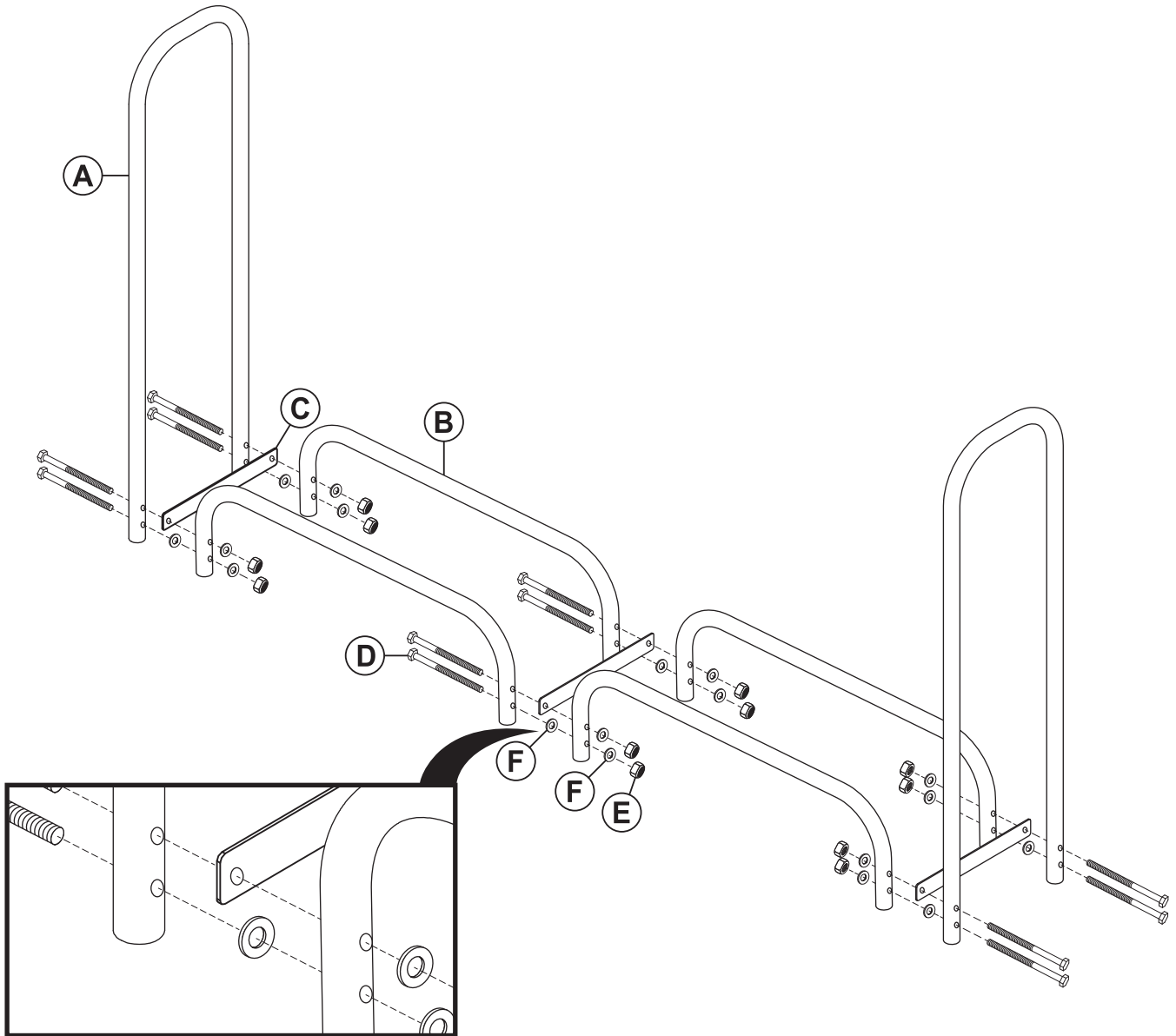
**! WARNING:** Manufacturer and seller expressly disclaim any and all liability from personal injury, property damage or loss, whether direct or indirect, or incidental, resulting from the incorrect attachment, improper use, inadequate maintenance, or neglect of this product.

# ASSEMBLY

Review all information and understand assembly before beginning.



**! IMPORTANT:** Lock nuts must be installed with the nylon insert on the outside. Tools are required to fully tighten lock nuts, failure to properly tighten the lock nuts may result in product malfunction or personal injury.



1. Place two M8x75mm Bolts (D) through the mounting holes on one side of Side Panel (A). Then, slide one Washer (F) onto the bottom bolt, and Brace (C) onto the top bolt.
2. Align Rail (B) with the bolts. Place one washer onto each bolt. Hand-tighten one Lock Nut (E) onto each bolt.
3. Repeat this process until each side panel has two rails attached.
4. Ensuring the brace is installed on the top, connect the rails in the same order as steps 1 & 2.

**TIP:** To tighten the hardware more quickly, turn the spanner on the bolt head clockwise while simultaneously turning the spanner on the lock nut counterclockwise.

## SAFETY STATEMENTS & WARNINGS

- Place log rack on a hard, dry surface.
- Do not overload the log rack — holds approximately 1 face cord of firewood.
- Ensure fittings are tight before use. Periodically check and tighten hardware as necessary.
- Protect the unit from outdoor elements with the included cover.
- Do not allow children to play with or around the log rack.

**Any modification to the product or failure to follow recommended care will void the product warranty.**

*If you experience issues with assembly or the product was damaged during transit, please contact our customer service team through one of the methods mentioned at the top of page 1. Please have the item number and order information ready to expedite response time.*

### **WARNING:**

**Manufacturer and seller expressly disclaim any and all liability from personal injury, property damage or loss, whether direct or indirect, or incidental, resulting from the incorrect attachment, improper use, inadequate maintenance, or neglect of this product.**