

# Installation Parts

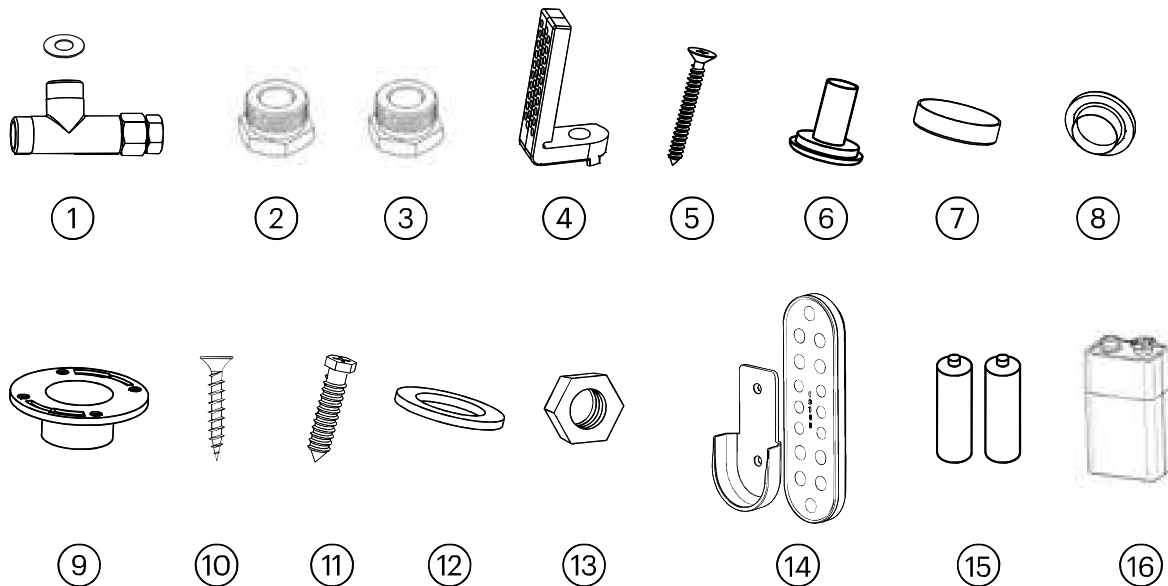
## Included Parts

1. 1/2" x 1/2" x 11/16-20UN T-Valve with Flat Washer
2. 11/16-20UN to 3/8" Adapter with Flat Washer
3. 11/16-20UN to 1/2" Adapter with Flat Washer
4. Mounting Brackets (2)
5. Mounting Bracket Screws (2)
6. Screw Plugs (2)
7. Plug Covers (2)
8. Wax Toilet Seal
9. Floor Flange
10. Floor Flange Screws (4)

11. Toilet Mounting Bolts (2)
12. Toilet Mounting Bolt Washers (2)
13. Toilet Mounting Bolt Nuts (2)
14. Remote Control with Wall Mount
15. AAA Batteries (2)
16. 9V Battery

## The following are pre-installed and are not shown:

17. Bidet Water Supply Hose
18. Flush Water Supply Hoses (3)
19. T-Valve Mesh Filter
20. Bidet Inlet Mesh Filter
21. 7/8" Flush Hose Mesh Filter



## Required Installation Parts and Tools (Not Included)

1. 7/16" Slip Joint Angle Stop (Wall Valve) with Compression Nut Removed to Expose 1/2" MIP Threads
2. GFCI Receptacle (Wired in Wall and Tested)
3. Adjustable Wrench
4. Phillips-Head Screwdriver
5. Silicone Gun (Optional)
6. Water Pressure Gauge (Optional)

## PRODUCT INSTALLATION

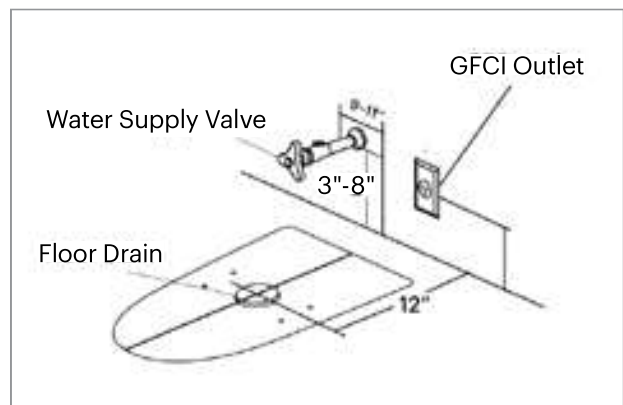
# Before Installation

**IMPORTANT NOTE:** Please read through this entire list of instructions and take inventory of included parts before beginning installation. If you have any questions at all, please call Customer Support at 1-888-542-3355 before you begin your installation.

A GFCI electrical outlet near the toilet is needed to provide power. Ensure that the skirt of the toilet does not interfere with the water supply point. Due to the nature of this product, a plumber is recommended for installation.

1. Before unpacking this product, ensure rough-in dimensions are as follows:

- The centerline of the floor drain is to be 12" from the finished back wall. Do not include the thickness of any baseboard molding when taking this measurement.
- Locate the included installation template titled "Confirm Dimensions Before Unpacking."
- Place the provided installation template on the ground and trace the outline with a marking pen to confirm rough-in dimension; remove installation template before installing the unit.
- The centerline of the angle stop (water supply valve) is to be 3"-8" above the finished floor and 9"-11" to the left of the centerline of the floor drain. The angle stop will need to have a 1/2" or 3/8" MIP thread to connect to the included T-Valve

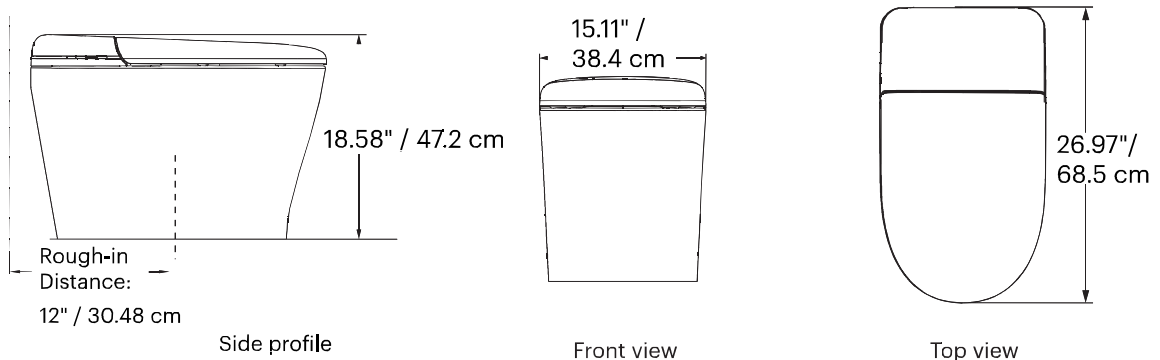


2. Confirm water pressure:

The minimum operating water pressure is 35 psi / 0.24 MPa. If the operating water pressure is below 35 psi / 0.24 MPa, and the incoming flow rate is less than 9.25 gal/min at 35 psi, the unit may experience issues with the flushing mechanism. Use a water pressure gauge (not supplied) to ensure there is adequate water pressure before installation.

3. Ensure there is enough space to properly install the unit.

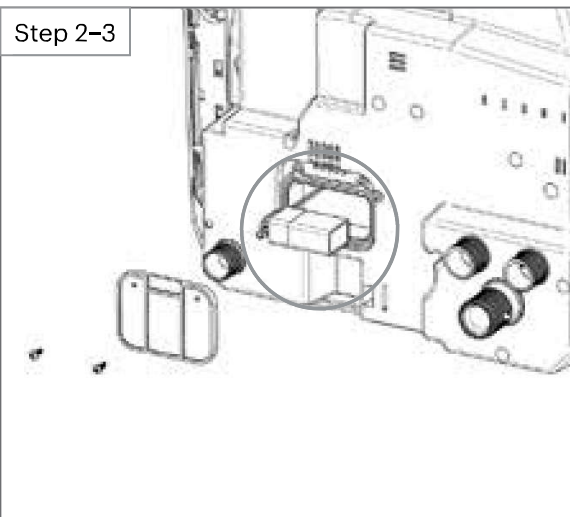
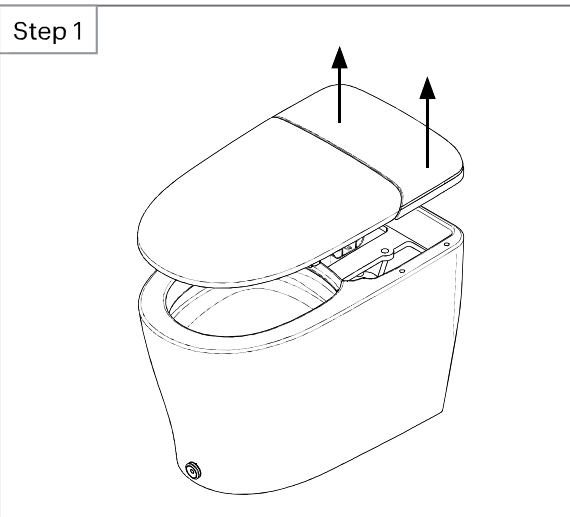
## Confirm Dimensions of Product with Installation Space



## Installing the Emergency Flush Battery

In the event of loss of power to the Coit, the flush button located on the auxiliary control panel can be used to manually flush the toilet. Follow the instructions below to install the 9V battery underneath the bidet seat before proceeding with installing the Coit.

1. Remove the top bidet unit by grabbing the back-top corners of the bidet and gently, but firmly pull up towards you to release the bidet from the ceramic base. Be careful not to damage any hoses, power cords, or connections as you remove the bidet.
2. Use a Phillips-head screwdriver to release the screws and remove the cover.
3. Connect the included 9V battery to the terminal wire. Ensure you have properly connected the battery to the correct polarities and replace the battery compartment cover.
4. Feed the bidet hose, flush hose, and power cord back through the ceramic base cavity, ensuring none of the water supply hoses become pinched or kinked.
5. Reinstall the bidet seat onto the ceramic base; evenly press down until you hear the bidet snap into place.



## PRODUCT INSTALLATION

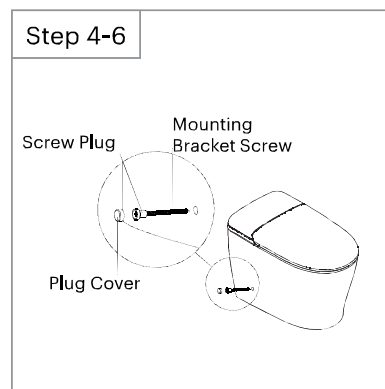
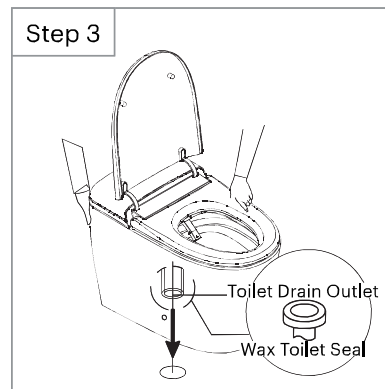
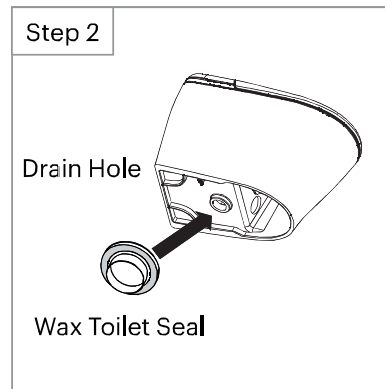
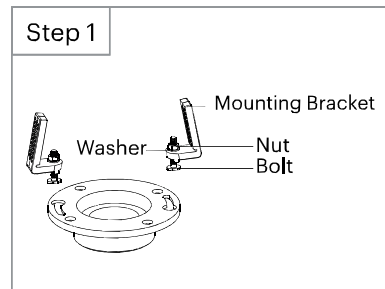
# Coit Installation

**HIGHLY RECOMMENDED:** Use two or more people to complete Step 3, as the bowl is very heavy and can be difficult to maneuver properly and may cause injury.

1. Install mounting brackets onto floor flange using toilet mounting bolts, metal washer, and nut. Hand-tighten the nuts. Use a wrench to tighten the nuts one quarter turn beyond hand tight.

**NOTE:** A new floor flange and mounting bolts are included with your installation kit. Replace old floor flange and bolts if necessary.

2. Place the wax toilet seal on the drain hole underneath the ceramic bowl.
3. Using two or more people, carefully install the ceramic bowl, aligning over the mounting brackets and toilet drain. Press down evenly on the toilet to ensure the wax toilet seal is in full contact with the ground.
4. Insert screw plugs on both sides of the ceramic base.
5. Install mounting bracket screws through the screw plugs on both sides of the toilet using a Phillips-head screwdriver, ensuring the screws are fully secure. Be careful not to overtighten as damage or cracking may occur.
6. Install plug covers.



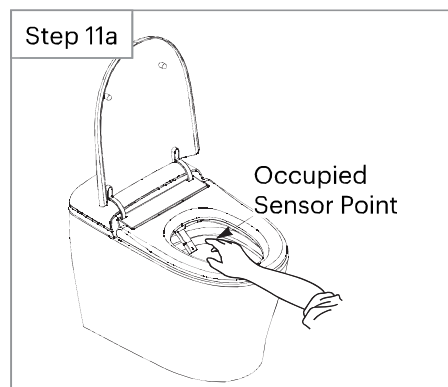
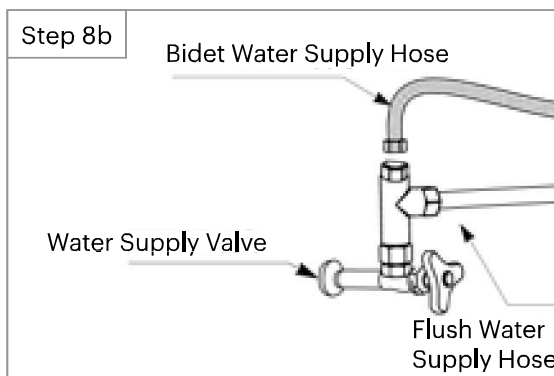
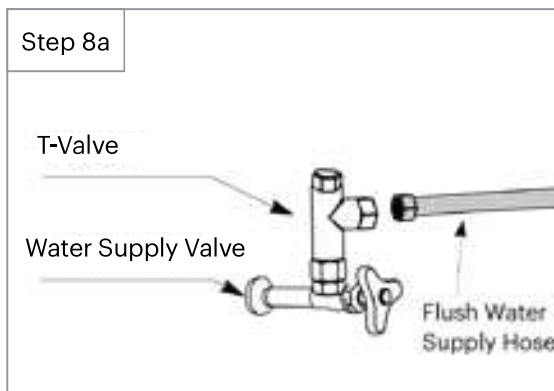
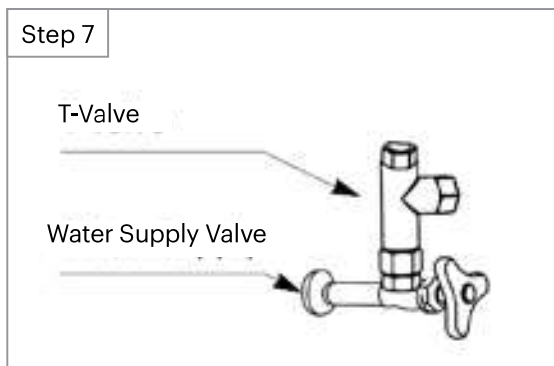
## Coit Installation (Cont'd)

7. Install the washer and T-Valve onto the main water supply valve at your wall (use 3/8" or 1/2" adapter depending on your connection size).
8. Connect water supply hoses.
  - a. Connect flush water supply hose to side of T-Valve and secure.
  - b. Connect bidet water supply hose to top of T-Valve and secure.
9. Turn on the water supply.
  - a. Open the main water supply valve slowly and check for leaks at the T-Valve and the hose connections underneath the bidet.
  - b. Wait 30 minutes, check again and, if there are no leaks, continue.
10. Plug the power cord into a GFCI electrical outlet.
  - a. Once powered on, the unit will run an initial diagnostic test; the lights will turn on, the nozzle will extend, and water will run through the system. Once the lights shut off, the diagnostic test is complete.

**NOTE:** Make sure to only use a grounded GFCI (ground fault circuit interrupter) electrical outlet, as in the case of a short circuit, a grounded GFCI outlet may help prevent electric shock or injury.

11. Test the Coit Integrated Smart Bidet Toilet.
  - a. Ensure all functions are working properly by placing your hand on the seat sensor area to activate the unit. Check the rear and front wash functions, including water pressure, nozzle position adjustment, and water temperature adjustment. **NOTE:** Use your hand or a cup to block the spray to avoid spraying water outside the toilet.

**NOTE:** After testing the functions, it is suggested to place silicone caulking around the base of the toilet to ensure a proper seal. Wait at least 24 hours before using the toilet after applying the silicone.



## Remote Control

1. Insert the AAA batteries.
  - a. Open battery compartment cover on backside of remote control by pulling down on the tab to release the cover.
  - b. Insert two AAA batteries (included), ensure batteries are installed correctly.
  - c. Replace battery compartment cover.
2. Mount the remote (optional)
  - a. Identify a location in the bathroom for the remote control that is visible and reachable from the toilet.
  - b. Use the included mounting screws or peel off the double-stick tape on the back of the wall mount and press firmly to the wall to ensure that it does not fall and damage the remote control.

**NOTE:** The remote control is paired to the product by default at the factory. If the remote control is not working properly, double check the batteries or re-pair the remote using the remote pairing instructions below.

### Remote Pairing Instructions

1. Unplug the unit.
2. Hold the *stop button* on the remote until the LED indicator lights on the remote start to flash.
3. While the lights are still flashing, plug the unit back into the GFCI outlet.
4. The lights will stop flashing, and the remote is now paired with the unit.