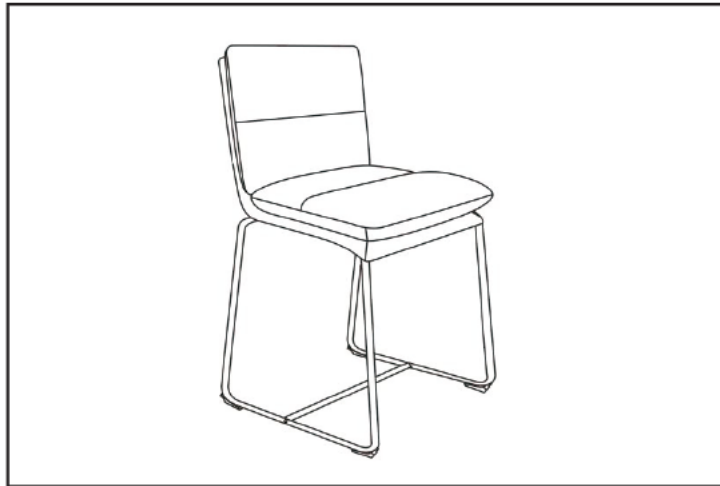

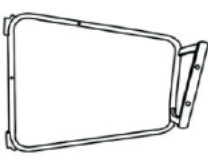
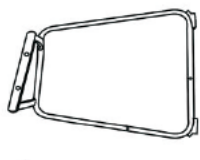


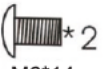
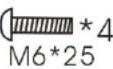
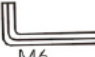


INDOOR DINING CHAIR

INDOOR DINING CHAIR ASSEMBLY INSTRUCTION



PARTS LIST		
Part	Description	Quantity
<i>PARTS</i>		
A	Seat Cushion	1
B	Leg Panel	1
C	Leg Panel	1
D	Support Bar	1
<i>HARDWARE</i>		
E	Bolts M6 x 30mm	2
F	Bolts M6 x 14mm	2
G	Bolts M6 x 25mm	4
H	Allen Key	1

A  x1	B  x1	C  x1	D  x1
E  M6*30 x2	F  M6*14 x2	G  M6*25 x4	H  M6 x1

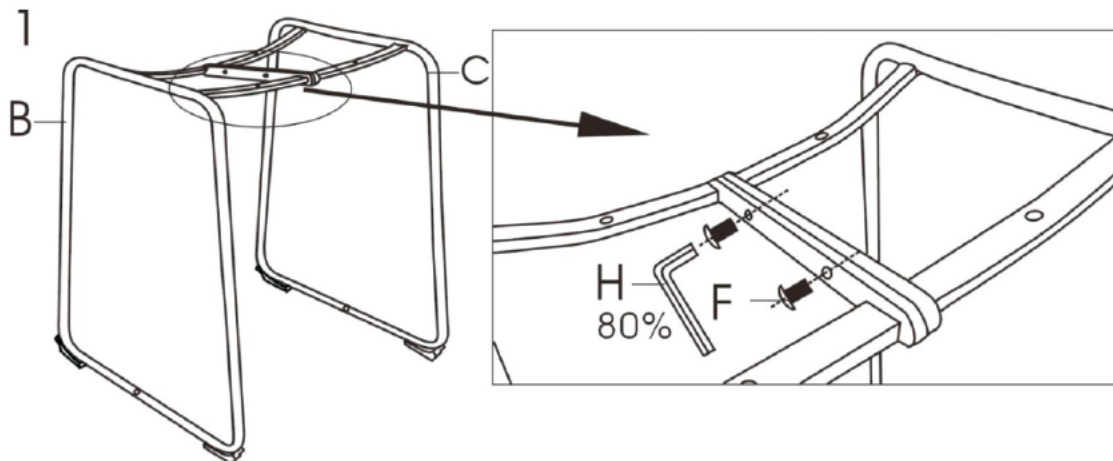
PLEASE READ AND FOLLOW ALL SAFETY TIPS

Warm Tips:

1. The plastic covers on some metal parts are just for product protection. Please remove it before assembly.
2. Please follow the sequence of AI during assembly.
3. Do not tighten the screws until all of them are in right positions.

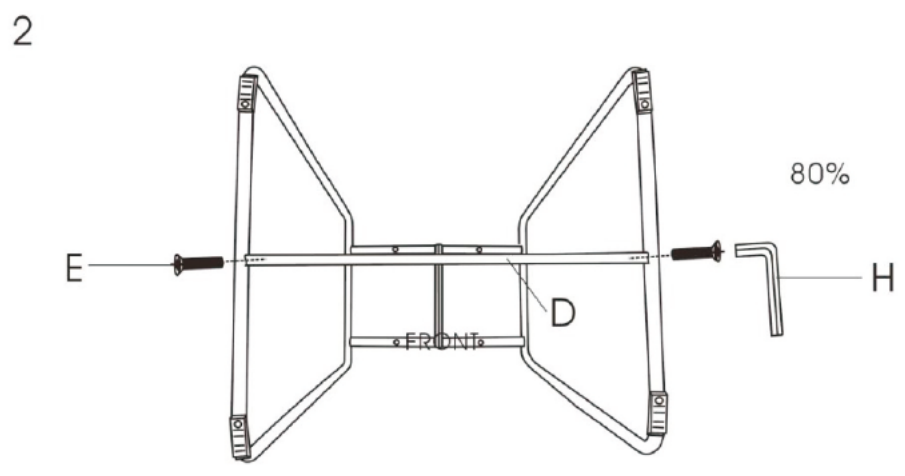
1. Attach Left Leg Panel(B) to Right Leg Panel(C) Using Short Bolts(F) With Allen Key(H). (photo 1)

Do not fully tighten the Bolts



Lock the screw 80% at first.

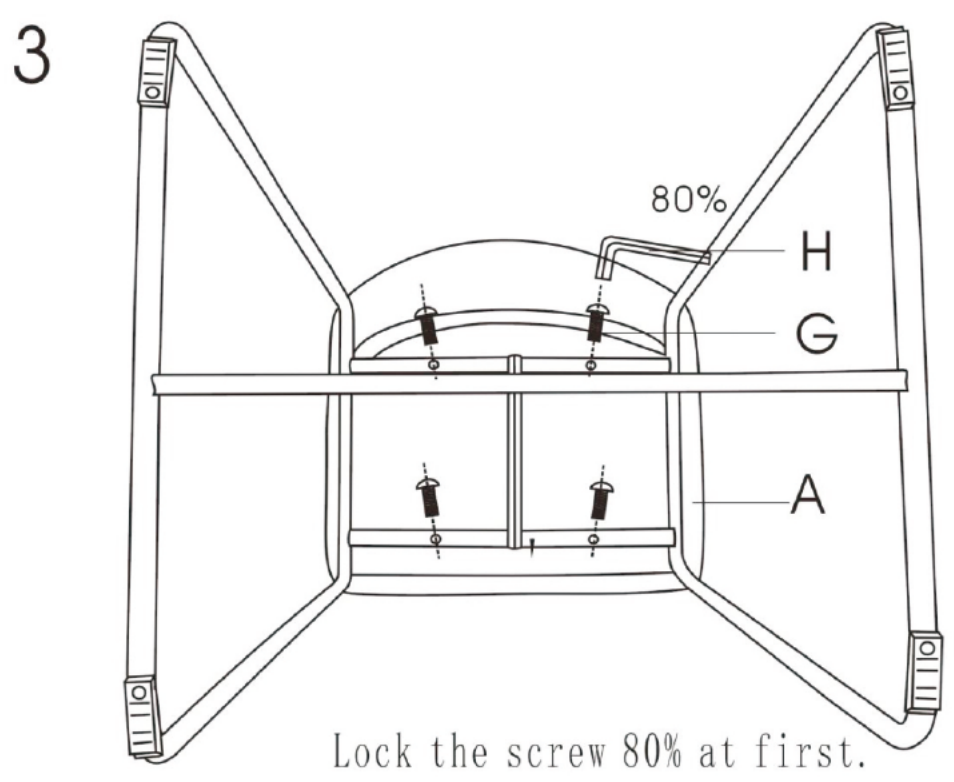
2. Attach Support bar(D) to Left Leg Panel(B) and Right Leg Panel(C) Using Long Bolts(E) With Allen Key(H). (photo 2)



Lock the screw 80% at first.

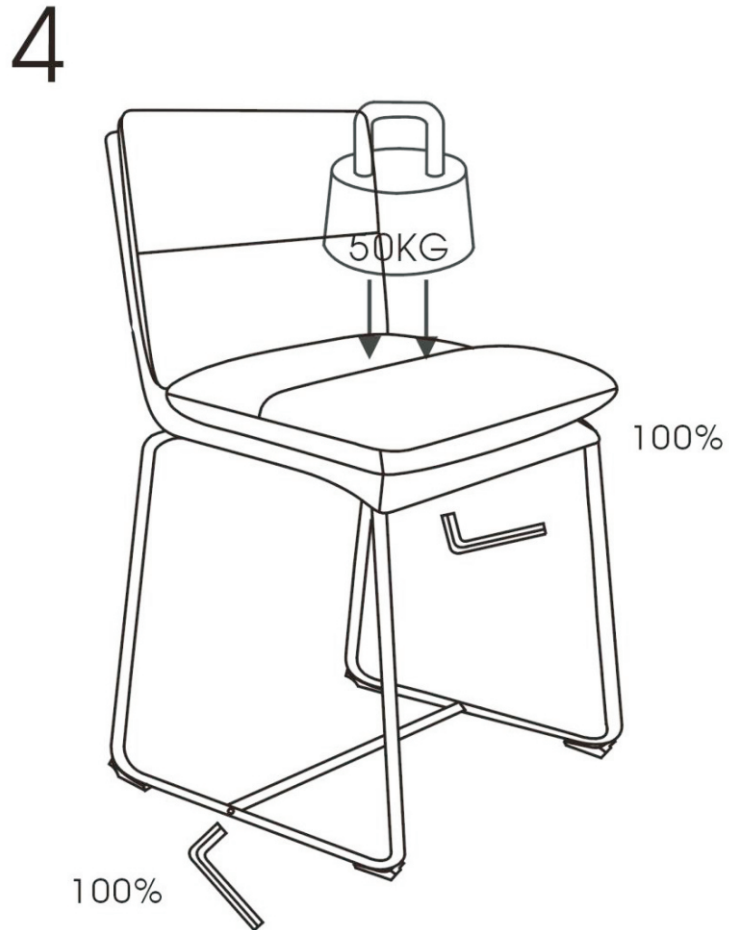
3. Place the Seat Cushion(A) face down. Align Left Leg Panel(B) and Right Leg Panel(C) with Seat Cushion(A).

Attach using middle Bolts(G) with Allen Key(H). (photo 3)



Lock the screw 80% at first.

4. Tighten all Bolts at all joints in a sequential manner until secure.
(photo 4)



Till now you have finished the whole assembly and enjoy your furniture!