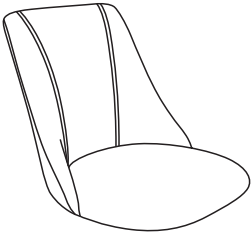
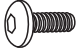
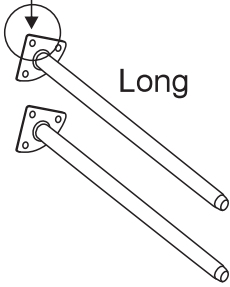

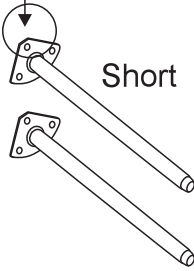


Product No. XM1206

<p>(1)X1</p> 	<p>(4)X12</p>  <p>M6x18mm</p>
<p>(2)X2</p> <p>This right angled leg is the front leg</p>  <p>Long</p>	<p>(5)X1</p> 
<p>(3)X2</p> <p>The notched leg is the back leg</p>  <p>Short</p>	

