




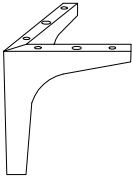
Assembly instructions for the chair, including tool requirements, time, and personnel.

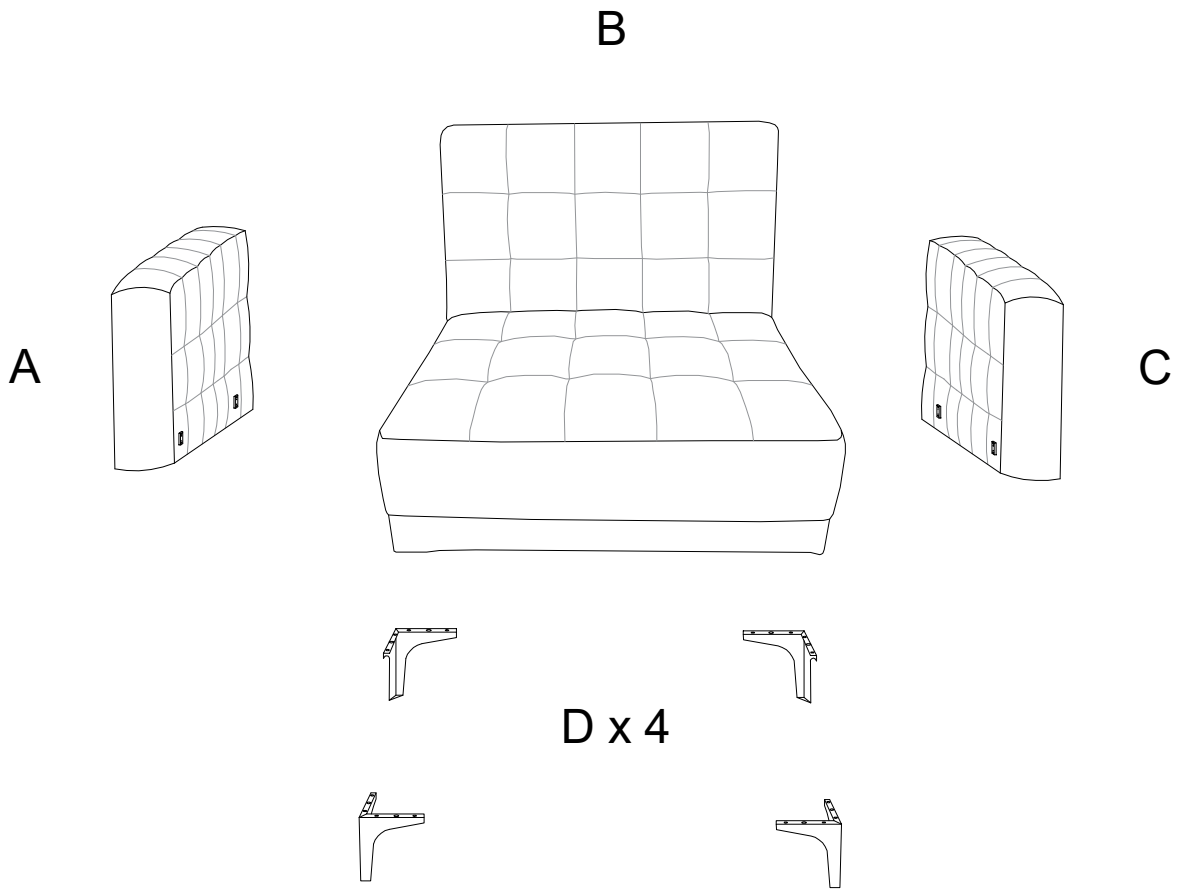
**Tools:** An icon shows an Allen key and a screwdriver inside a circle, and a power drill with a slash through it, indicating that a power drill is not required.

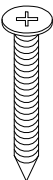

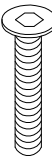

**Time:** A clock icon is shown with the number 30' below it, indicating an estimated assembly time of 30 minutes.

**Personnel:** A person icon is shown with the number 2 below it, indicating that two people are required for assembly.

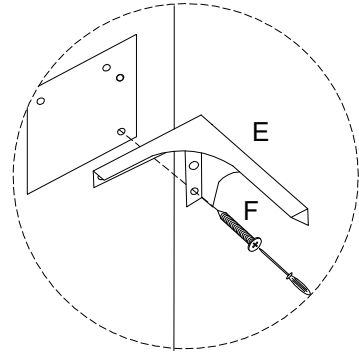
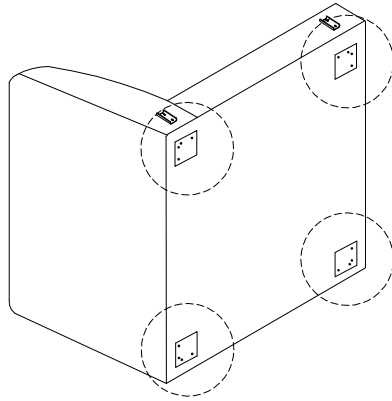
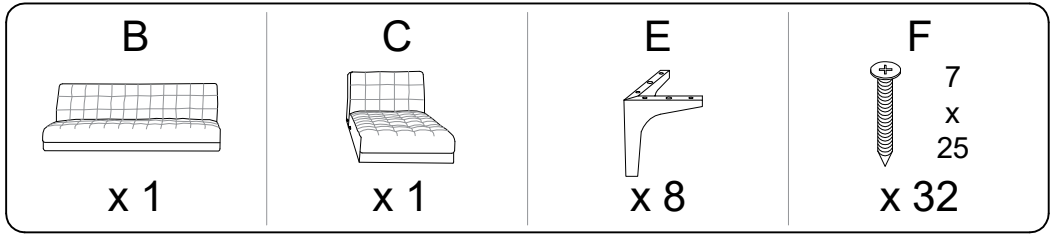
**Warnings:** Two warning triangles (exclamation marks inside triangles) are present. The top one is connected to the tool icons, and the bottom one is connected to the personnel icon.

<p><b>A</b></p>  <p><b>x 1</b></p>	<p><b>B</b></p>  <p><b>x 1</b></p>	<p><b>C</b></p>  <p><b>x 1</b></p>	<p><b>D</b></p>  <p><b>x 4</b></p>
---	---	--	---

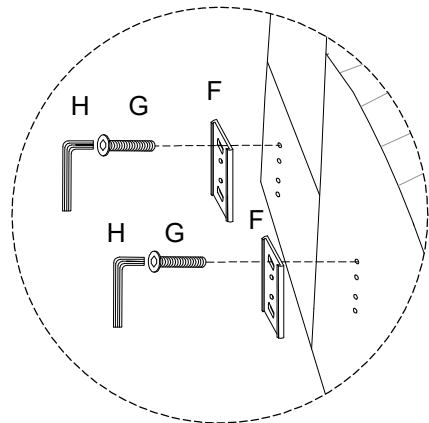
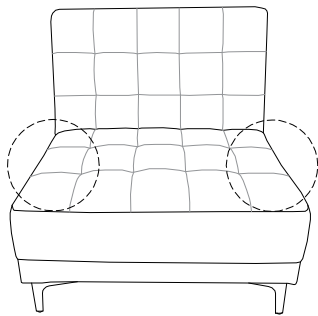
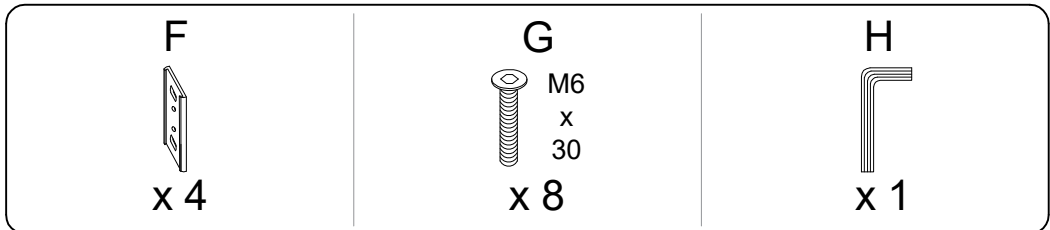


<p><b>E</b></p>  <p>5 x 25</p> <p><b>x 16</b></p>	<p><b>F</b></p>  <p><b>x 4</b></p>	<p><b>G</b></p>  <p>M6 x 30</p> <p><b>x 8</b></p>	<p><b>H</b></p>  <p><b>x 1</b></p>
--	---	--	---

1



2



3

A



x 1

B



x 1

