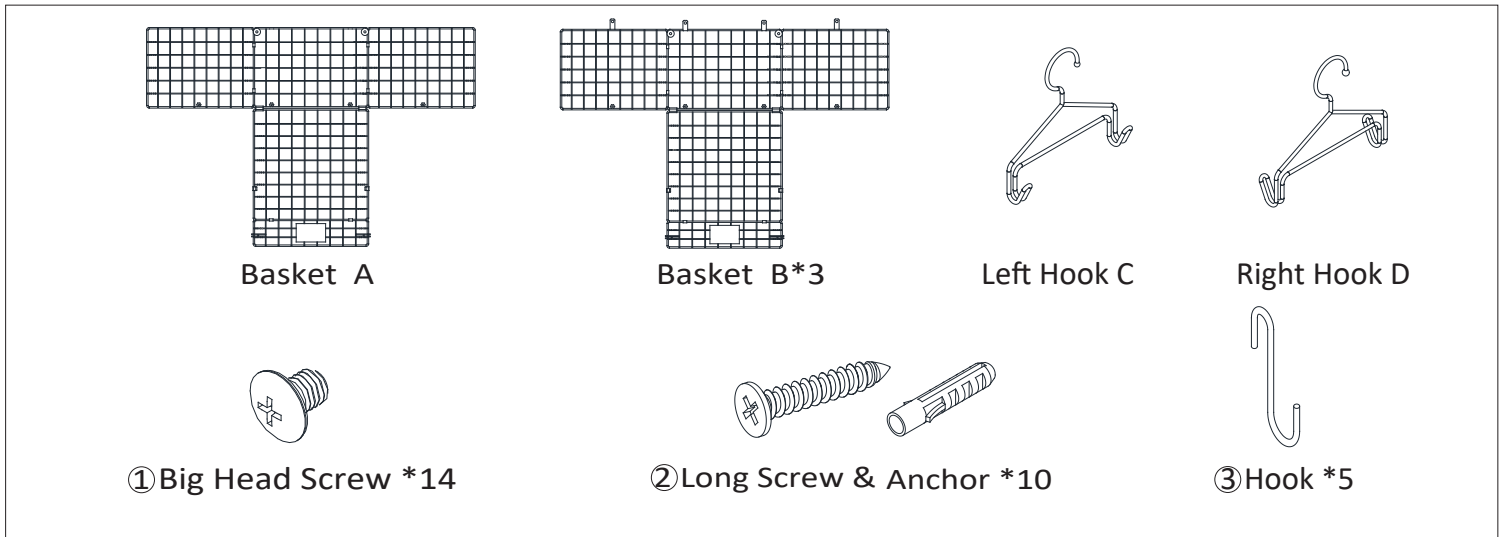


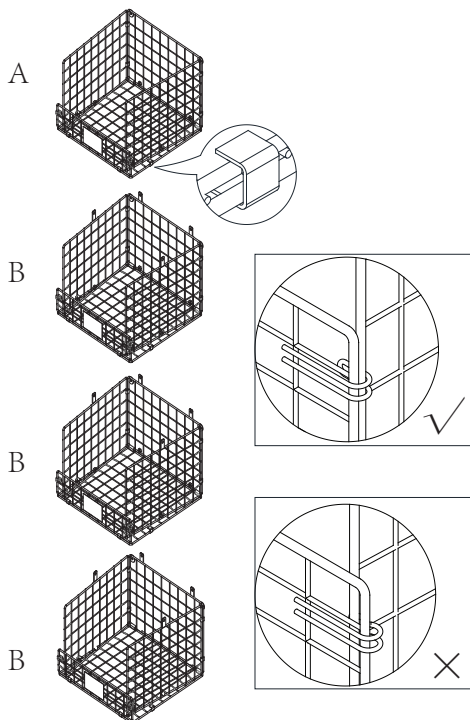
Hanging Closet Basket Organizer Installation Instructions

Accessories include

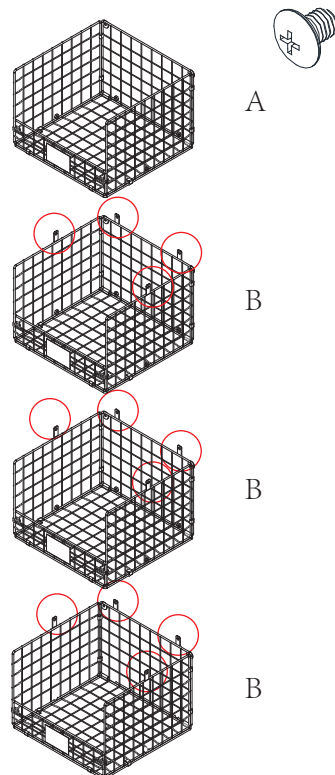


Installation steps(1st methods)

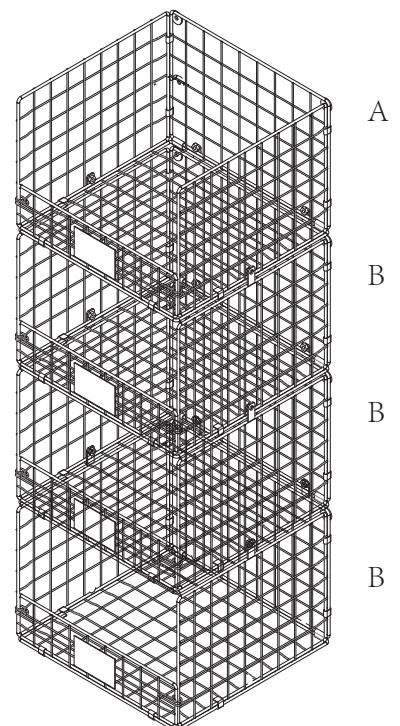
1. Place every basket as the following picture shows, align the buckles on the bottom and front sides, then lock tightly. (The four baskets' assembly method is the same, just repeat this step)



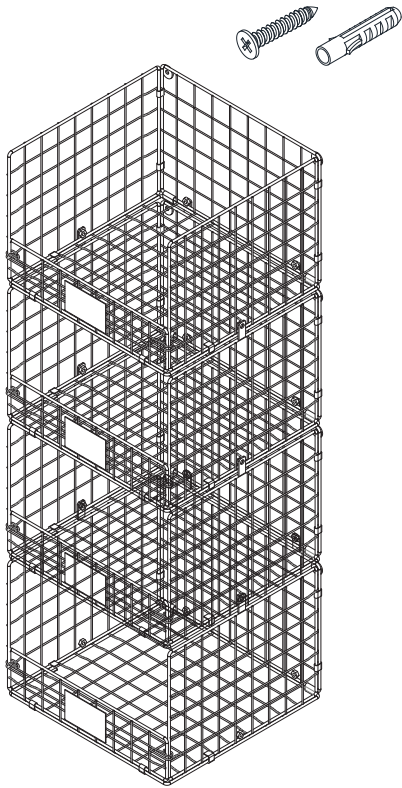
2. Use big head screw to connect one Basket A, three basket B together.
Note: Basket A must be on the top.



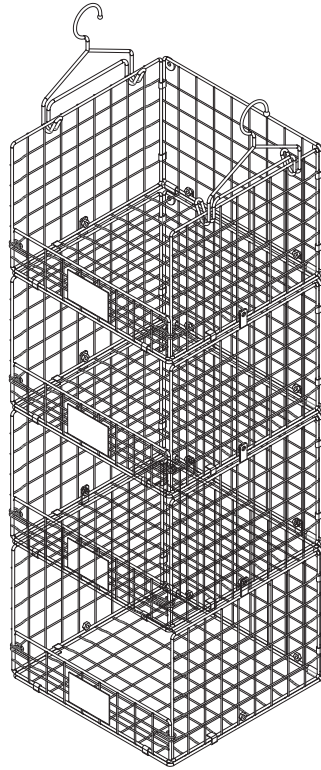
3. Finish four baskets' combination assembly. Please see next step on the back



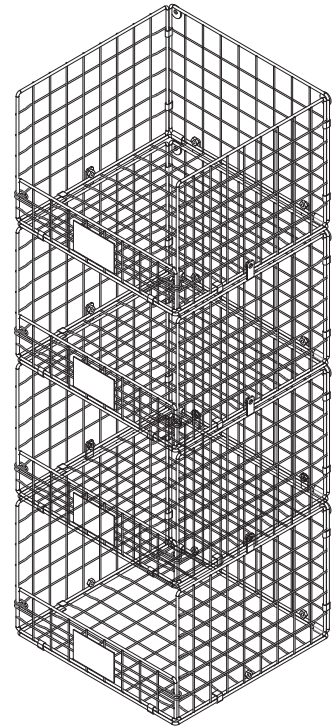
4.1 Use Long Screw and Anchor to fix the basket on the wall.



4.2 Use two hooks to hang the baskets on the pole.



4.3 Just place the basket on flat surface.



Installation steps(2nd methods)

Each basket assembly method is the same as step 1 of the first using method. You can DIY the using and combination method. You can just fix two basket on the wall, and the rest two just place on the desk. Or fix two or three, or use hooks to hang 1-4 baskets on the pole, you can choose the using ways according to your needs

