

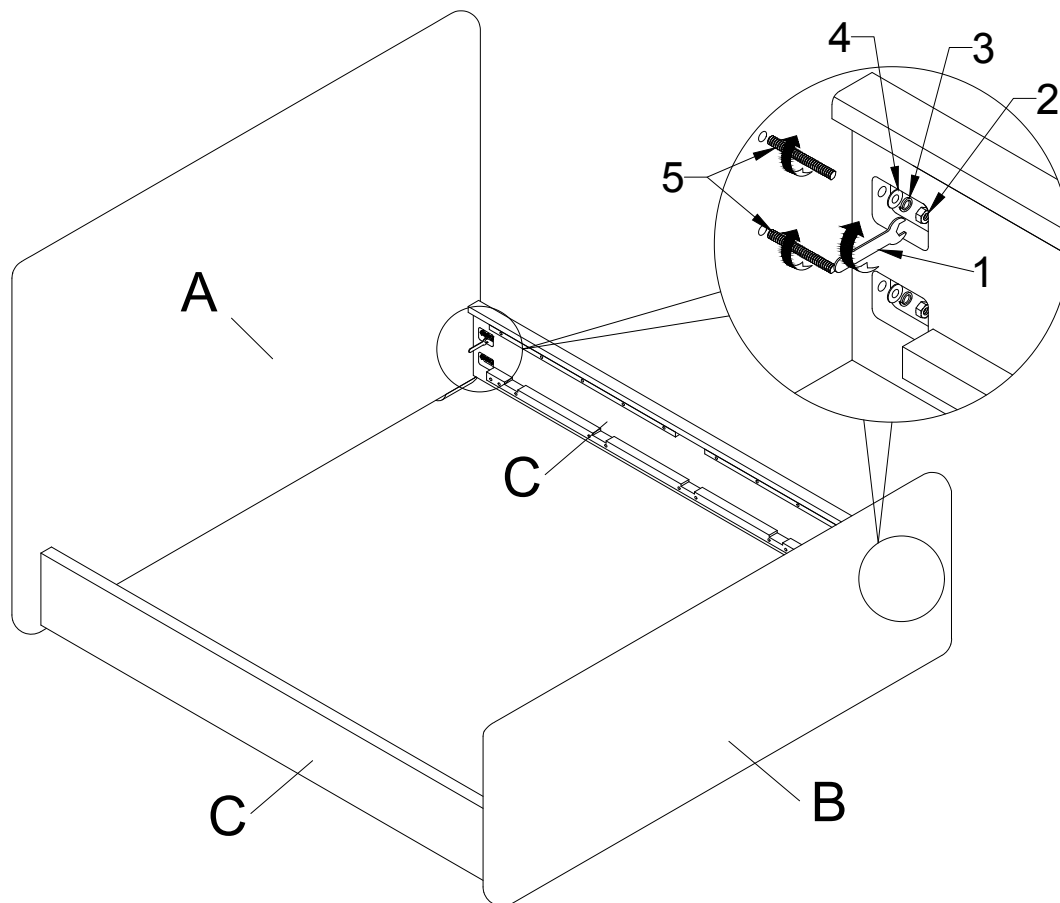
ASSEMBLY INSTRUCTIONS FOR

350/250-H05/FR05
350/250-H06/FR06

6/0 UPH BED
6/6 UPH BED

Thank you for purchasing Bernhardt Furniture. Be sure to check all packing materials carefully to ensure proper assembly.

Please read all instructions carefully before starting the assembly process. Some parts are large and heavy and require at least two people to assemble, to prevent possible injury and/or damage to the furniture.



PARTS LIST

NO.	DRAWING	DESCRIPTION	SIZE	QTY.
A		HEADBOARD		1 PC
B		FOOTBOARD		1 PC
C		SIDERAIL		2 PC
D		SLAT		5 PC
E		SUPPORT LEG		10 PC

NO.	DRAWING	DESCRIPTION	SIZE	QTY.
1		Open Wrench	M12	1 PC
2		Hex Nut	5/16"	8 PC
3		Spring Washer	5/16"	8 PC
4		Flat Washer	5/16"	8 PC
5		Threaded Rod	5/16" x 3-1/2"	8 PC
6		Screw	M4 x 1-1/2"	10 PC

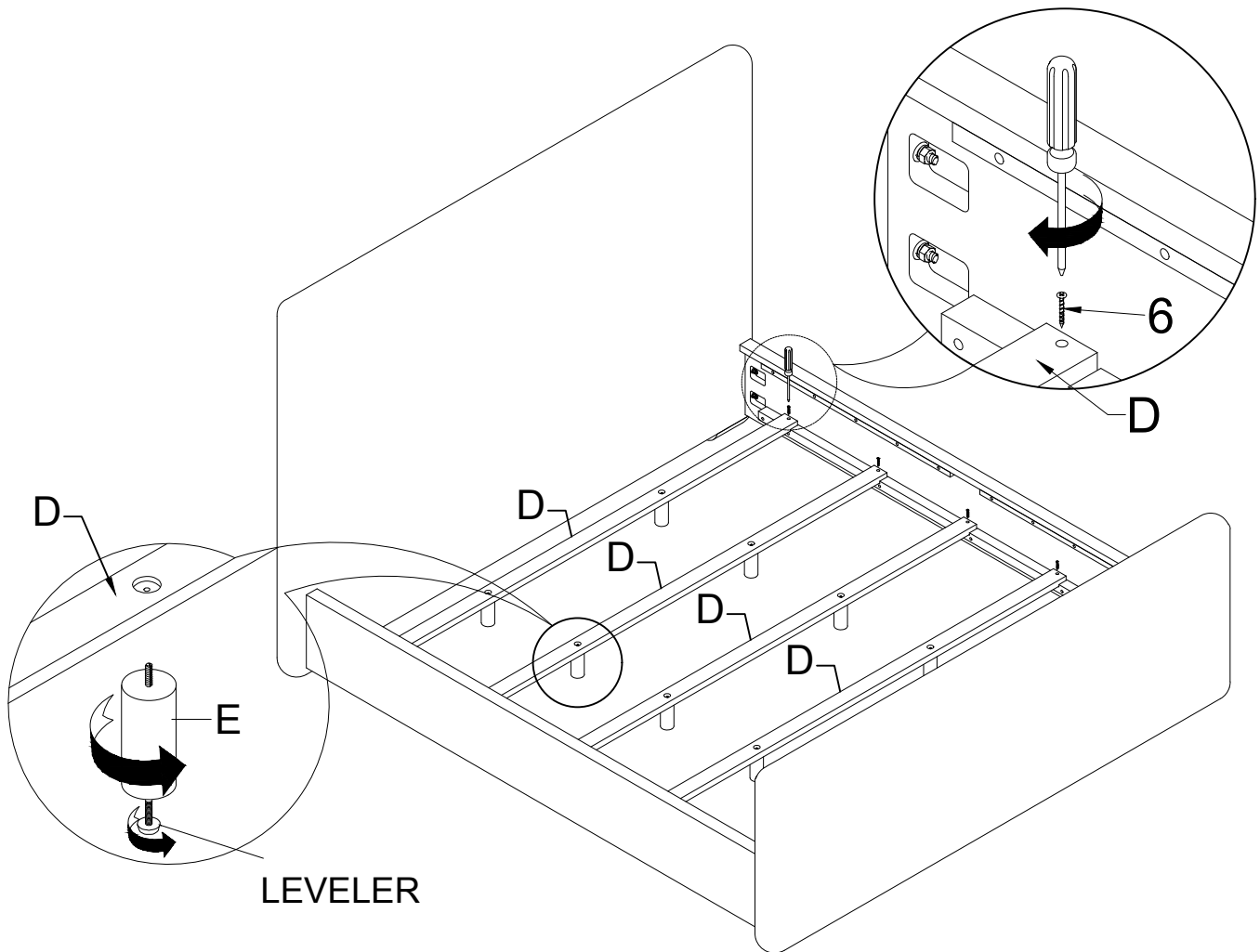
ASSEMBLY INSTRUCTIONS

- Stand Headboard and Footboard in upright position and attach Threaded Rod (5) into all attachment locations. See diagram. 2 holes for Threaded Rods are located on each end of Headboard and Footboard.
- Carefully slide Side rails (C) onto Threaded Rods on Headboard and Footboard. Place Flat Washer (4), Lock Washer (3) and Hex Nut (2) onto Threaded Rod in Side rail cavity.
- Tighten Hex Nuts using Open Wrench (1).

ASSEMBLY INSTRUCTIONS FOR

350/250-H05/FR05
350/250-H06/FR06

6/0 UPH BED
6/6 UPH BED



PARTS LIST

NO.	DRAWING	DESCRIPTION	SIZE	QTY.
A		HEADBOARD		1 PC
B		FOOTBOARD		1 PC
C		SIDERAIL		2 PC
D		SLAT		5 PC
E		SUPPORT LEG		10 PC

NO.	DRAWING	DESCRIPTION	SIZE	QTY.
1		Open Wrench	M12	1 PC
2		Hex Nut	5/16"	8 PC
3		Spring Washer	5/16"	8 PC
4		Flat Washer	5/16"	8 PC
5		Threaded Rod	5/16" x 3-1/2"	8 PC
6		Screw	M4 x 1-1/2"	10 PC

NOTE: Philips Screw Driver (Not Included) required for slat assembly.

ASSEMBLY INSTRUCTIONS

1. Attach Support Legs (E) to underside of Slats (D) .
2. Place Slats (D) on Side rails (C), tighten Screw (6) with Phillips Screw Driver.
3. Level bed as needed with adjustable floor glides.