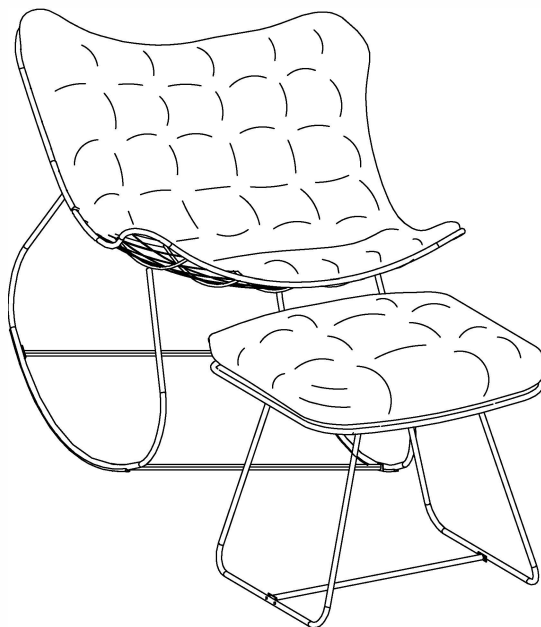


INSTRUCTION MANUAL



2-Piece Rocking Chair

TOOLS REQUIRED



ALLEN WRENCH
(PROVIDED)



WRENCH
(PROVIDED)



300 LBS
PER SEAT



2 PERSON
ASSEMBLY



APPROXIMATELY
60 MIN.
ASSEMBLY

INCLUDED PARTS

A M6x45mm SCREW



4 PCS

B M6x40mm SCREW



16 PCS

C M6x35mm SCREW



12 PCS

D M6 WASHER



64 PCS

E M6 NUT



32 PCS

F COVER



32 PCS

1 ROCKING CHAIR
BACKREST



1 PC

2 ROCKING CHAIR
SEAT



1 PC

3 ROCKING CHAIR
BAR



2 PCS

4 ROCKING CHAIR
LEG (LEFT)



1 PC

5 ROCKING CHAIR
LEG (RIGHT)



1 PC

6 STOOL TOP



1 PC

7 STOOL LEG



2 PCS

8 STOOL BAR



1 PC

9 ROCKING CHAIR
SEAT CUSHION



1 PC

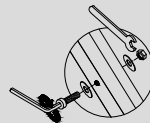
10 STOOL CUSHION



1 PC

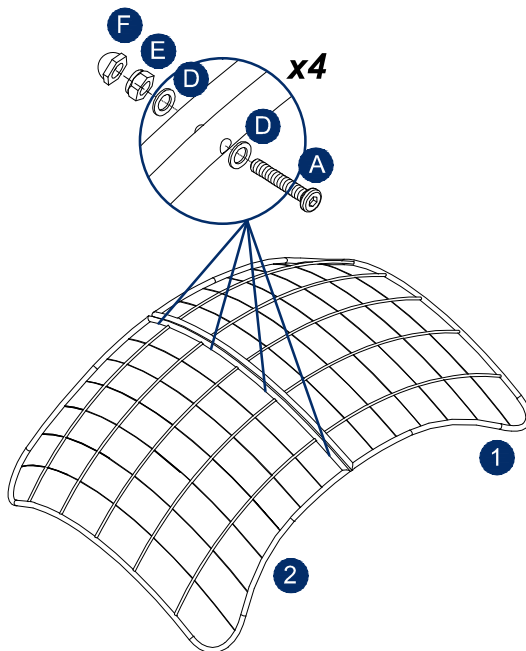
Use tools to attach hardware in the following way:

2



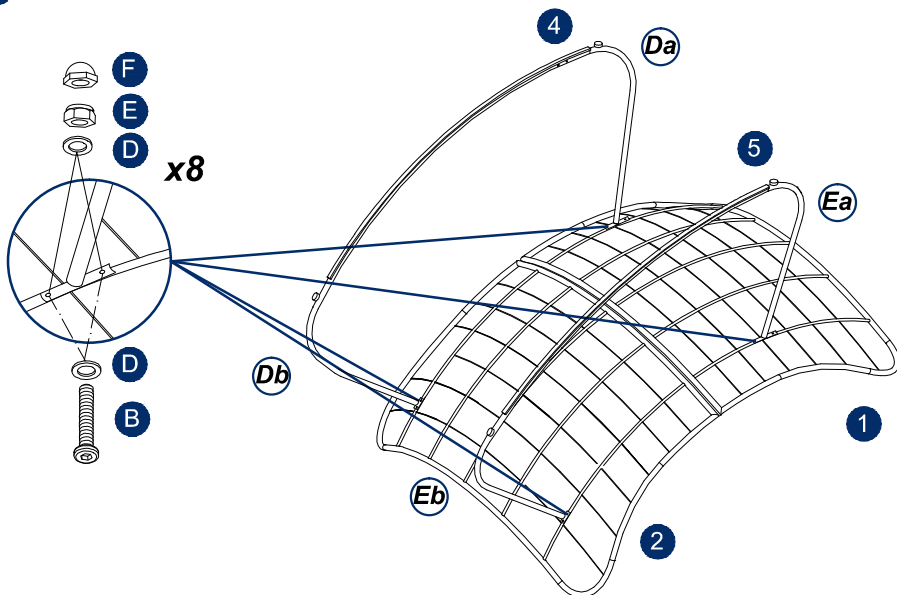
PRODUCT ASSEMBLY - ROCKING CHAIR

1



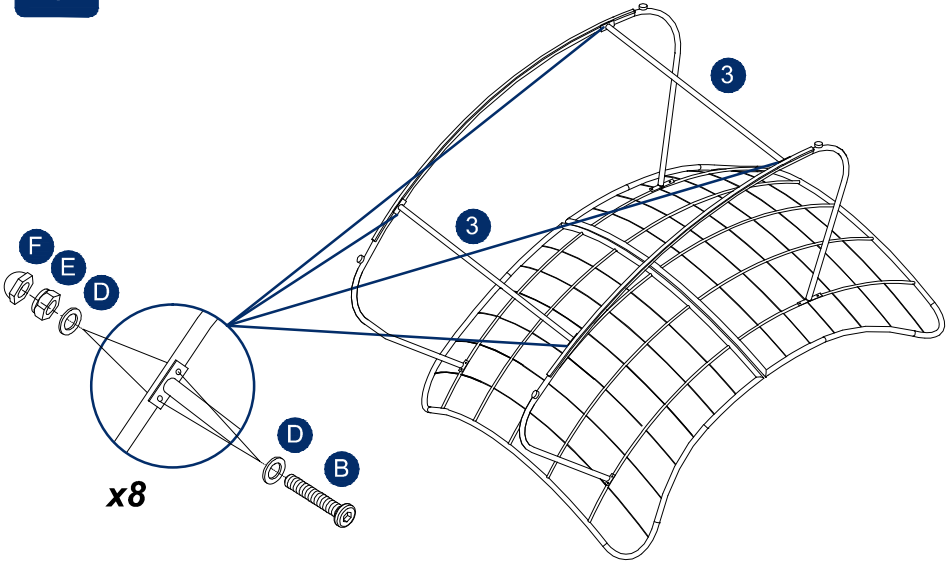
Please pay attention to the difference between 4 and 5 directions. The parts marked "Da" and "Ea" are connected to 1. The parts marked "Db" and "Eb" are connected to 2.

2



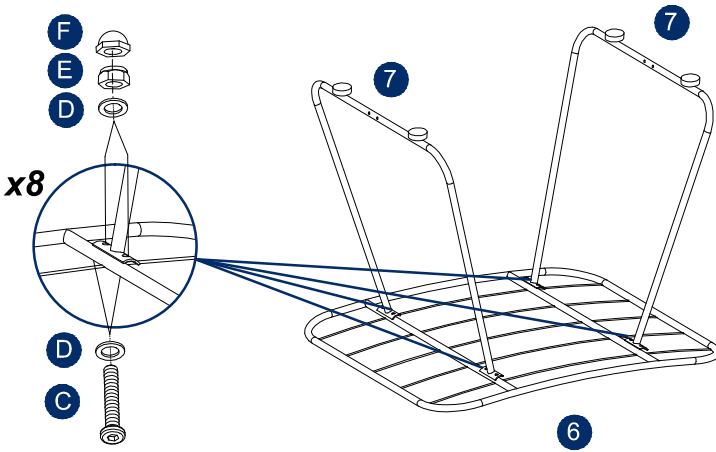
PRODUCT ASSEMBLY - ROCKING CHAIR

3



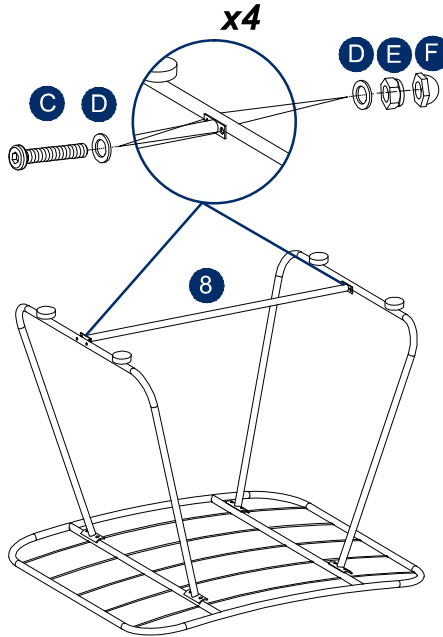
PRODUCT ASSEMBLY - STOOL

1



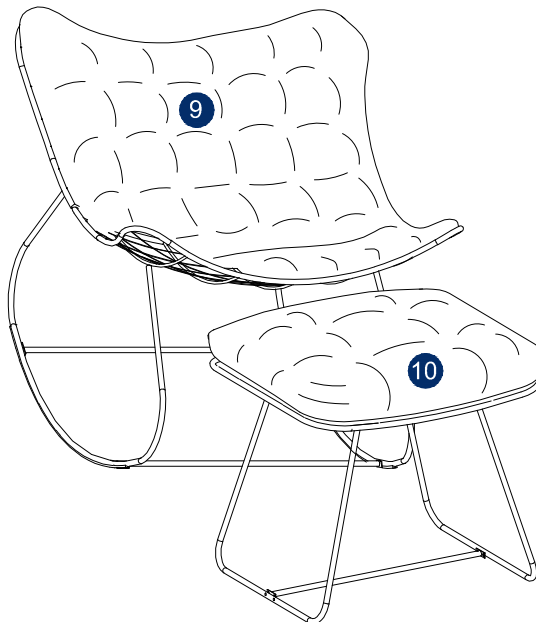
PRODUCT ASSEMBLY - STOOL

2



PRODUCT ASSEMBLY - CUSHIONS

NOTE: Cushions are not waterproof; they are water resistant and can only withstand light rain. Do not leave cushions out in inclement weather





INSTALLATION NOTICES

1. Pre-Assembly Preparation:

Check for all components and tools needed. Choose a suitable location and prepare the area.

2. Read the Instruction Manual:

Review the manual thoroughly, focusing on diagrams and warnings.

3. Organize Parts and Tools:

Lay out parts and hardware systematically. Ensure you have the necessary tools.

4. Step-by-Step Assembly:

Follow the manual's instructions carefully. Tighten parts securely as required.

5. Safety Considerations:

Be cautious and seek assistance if needed. Adhere to weight and load restrictions.



MATERIALS AND CARE GUIDE

• Aluminum Furniture:

1. Clean aluminum frames with a soft cloth and mild soapy water.
2. Avoid abrasive cleaners or brushes to prevent surface scratches.
3. Apply automotive wax to preserve shine and protect against oxidation.
4. During extreme weather, consider covering or storing indoors.

• Cushions:

1. Brush off dirt and debris from cushions regularly with a soft-bristle brush.
2. Spot clean stains promptly with a mild detergent and water solution.
3. The cushion covers are zippered design and machine washable.
4. Ensure cushions are fully air dried to prevent mold or mildew growth before using or storing.

Warranty

- **Warranty Coverage:**
Covers defects in materials and workmanship.
Valid for 1 year from the date of purchase.
Includes repair or replacement of defective parts or products.
- **Warranty Exclusions:**
Does not cover improper assembly, installation, or misuse.
Excludes normal wear and tear, acts of nature, unauthorized modifications, and unauthorized transfers.
- **Warranty Claim Procedure:**
Contact our customer service with proof of purchase.
Provide details and evidence of the defect.
Our team will assess and guide you through the repair or replacement process.
- **Limitation of Liability:**
Our liability is limited to repair or replacement. [View more](#)
We are not liable for incidental, consequential, or indirect damages.