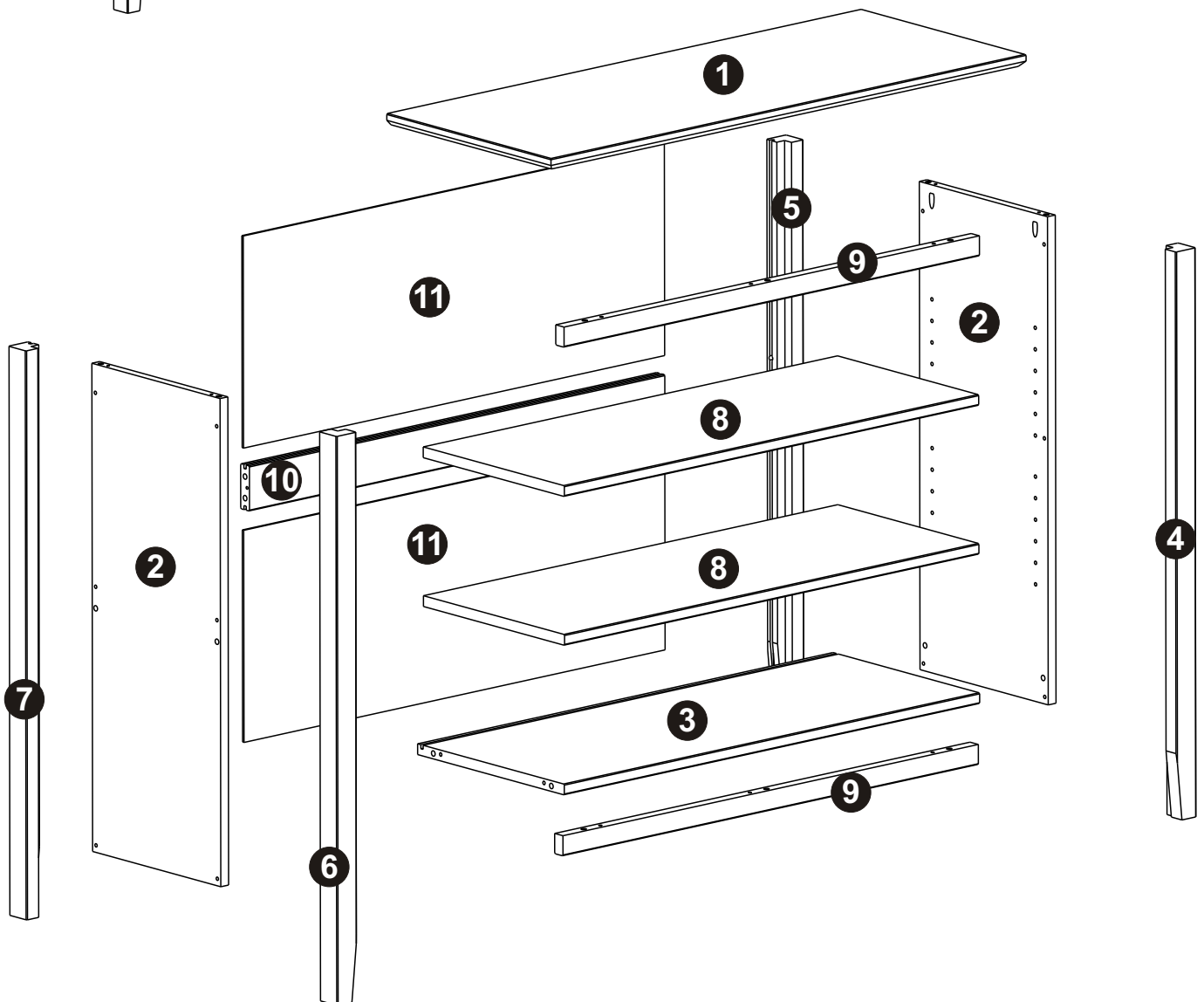
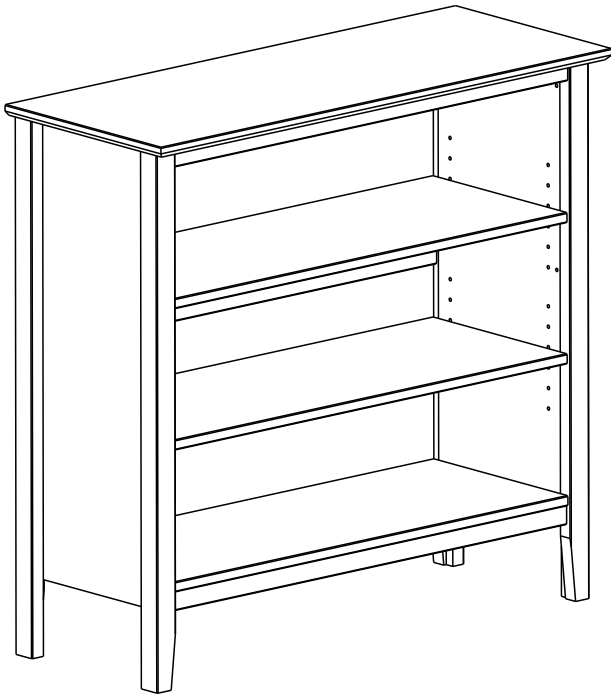
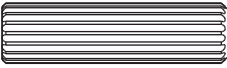
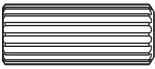
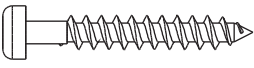
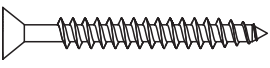
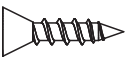


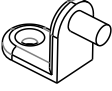
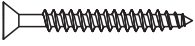


ASSEMBLY INSTRUCTIONS UNDER WINDOW BOOKCASE / TALL BOOKCASE



A	 Ø8x30mm	18
B	 Ø8x20mm	04
C	 Ø4x30mm	18
D	 Ø4,0x30mm	16
E	 Ø3,5x16mm	20
F		01
G		12
H		08
I	 Ø3,5x30mm	02

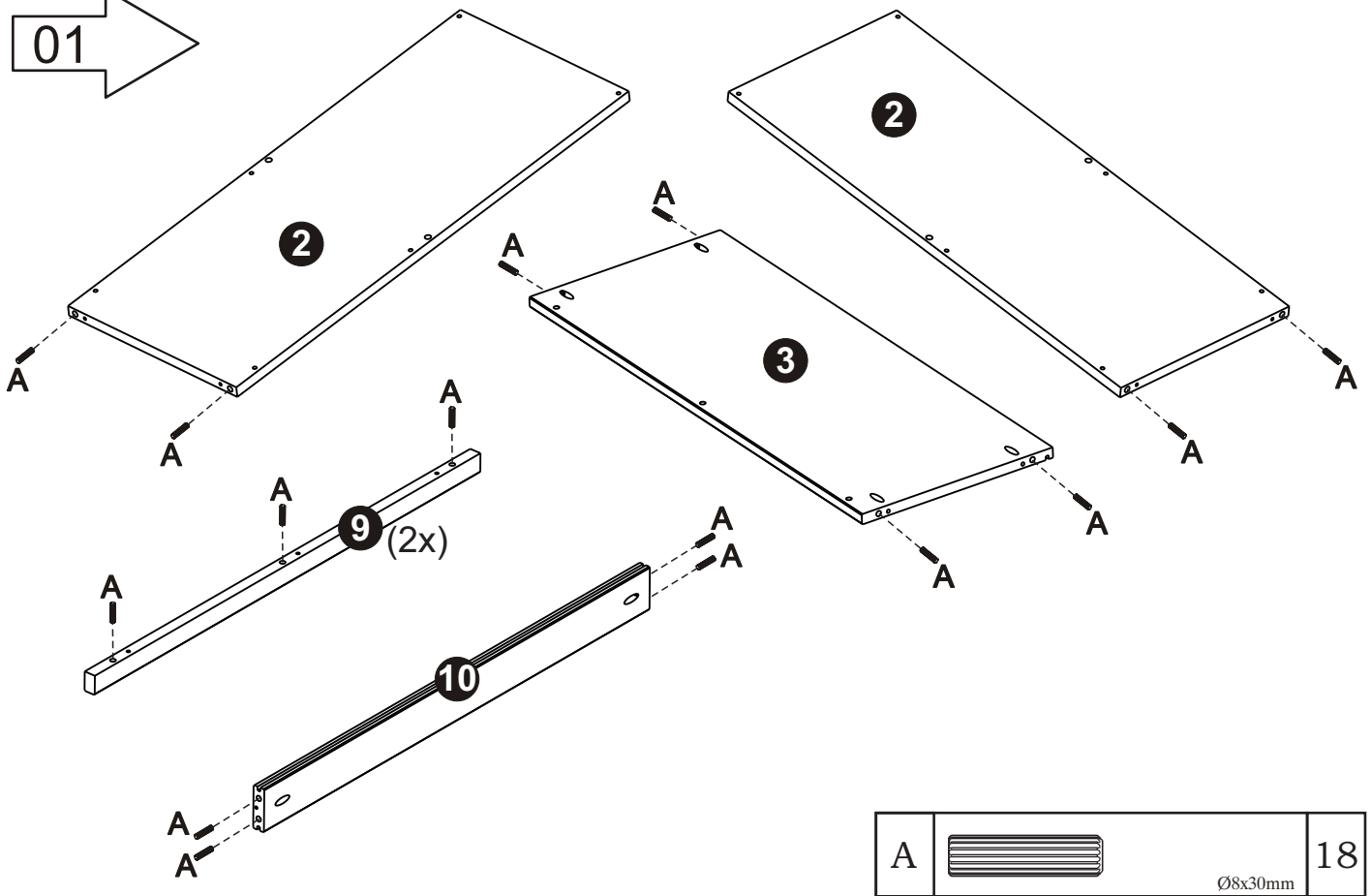
Tools Required

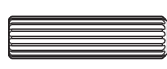
Phillips Tool



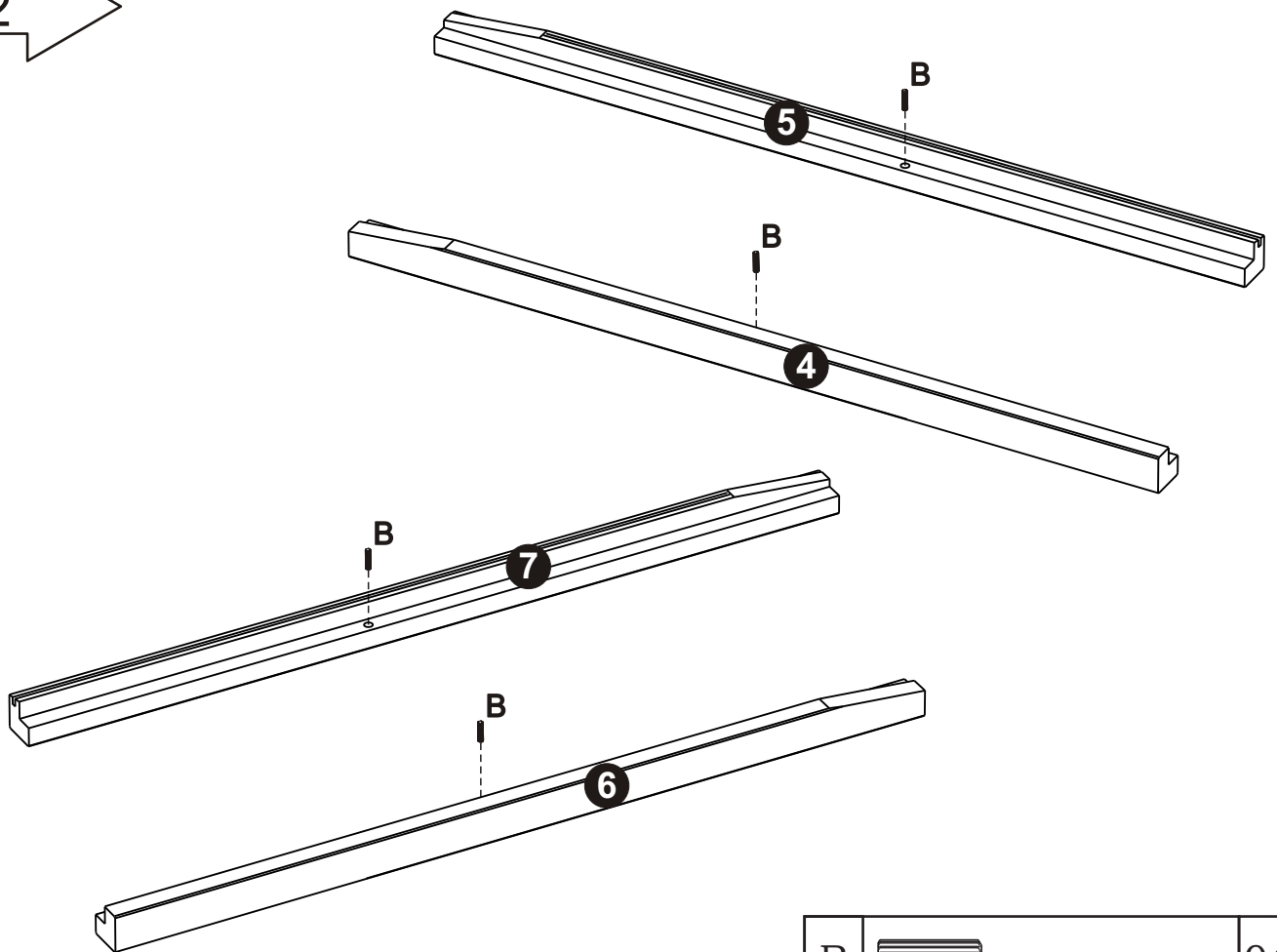
Hammer
* These tools are not supplied by the manufacturer

01



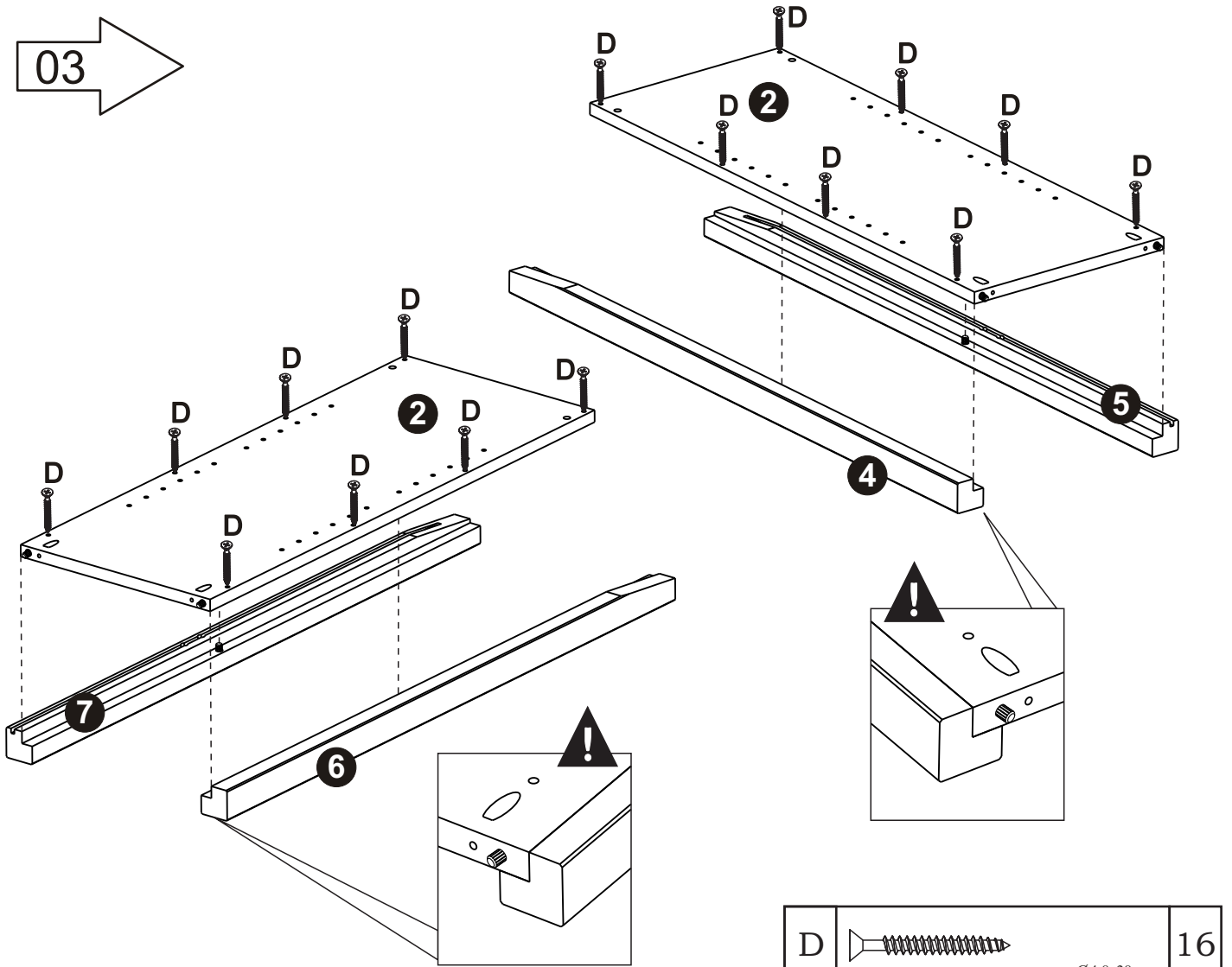
A		Ø8x30mm	18
---	--	---------	----


02



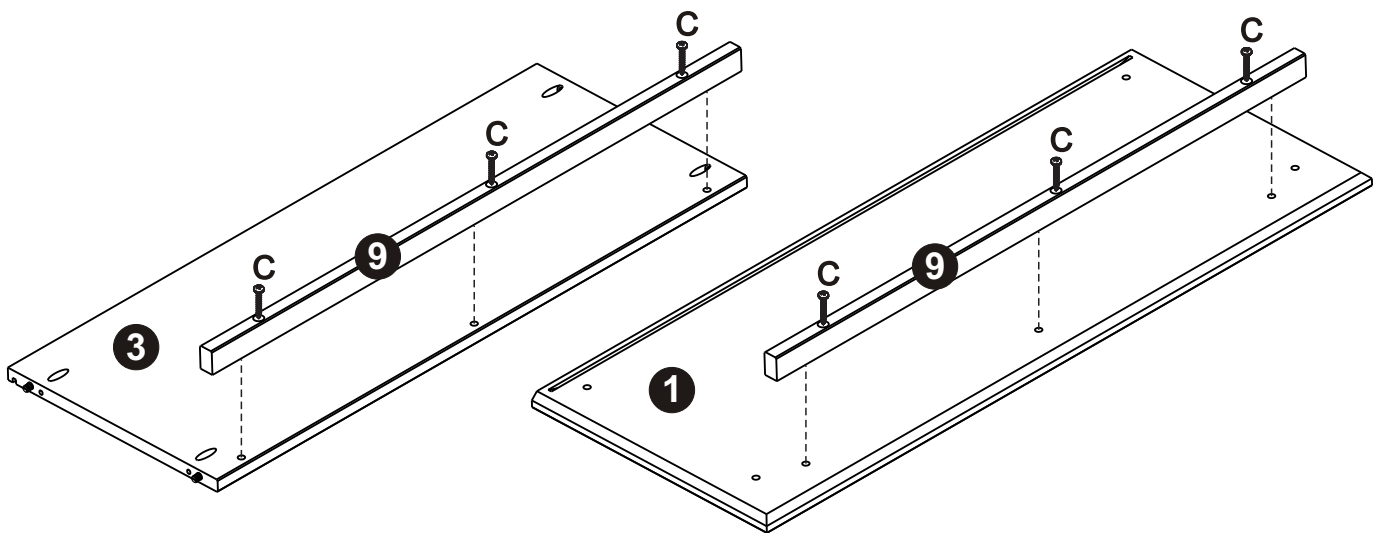
B		Ø8x20mm	04
---	---	---------	----

03



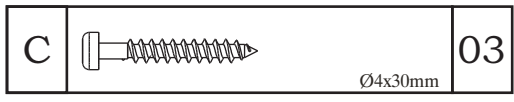
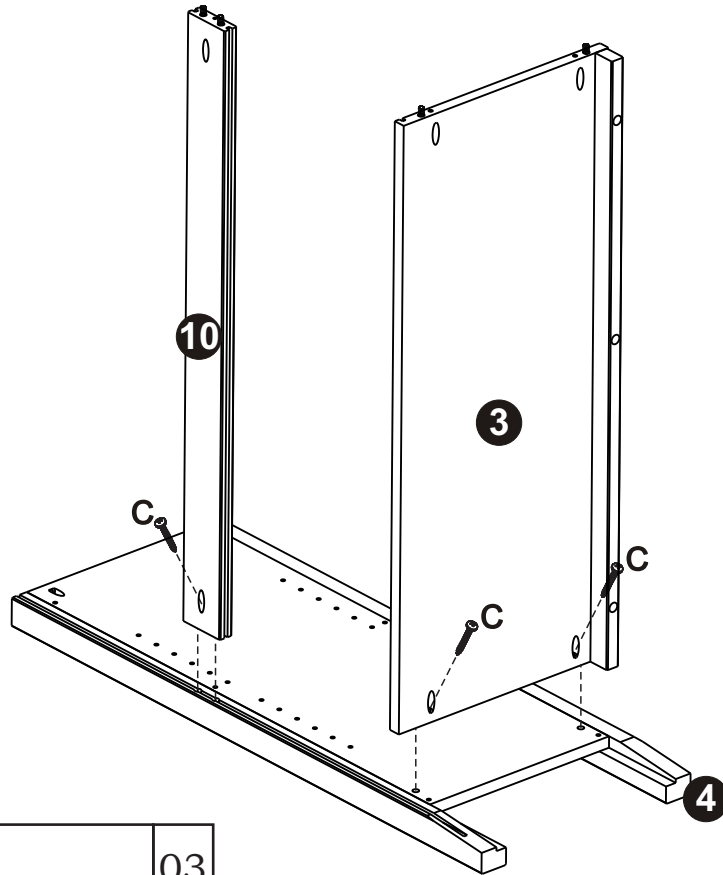
D		16
		Ø4,0x30mm

04

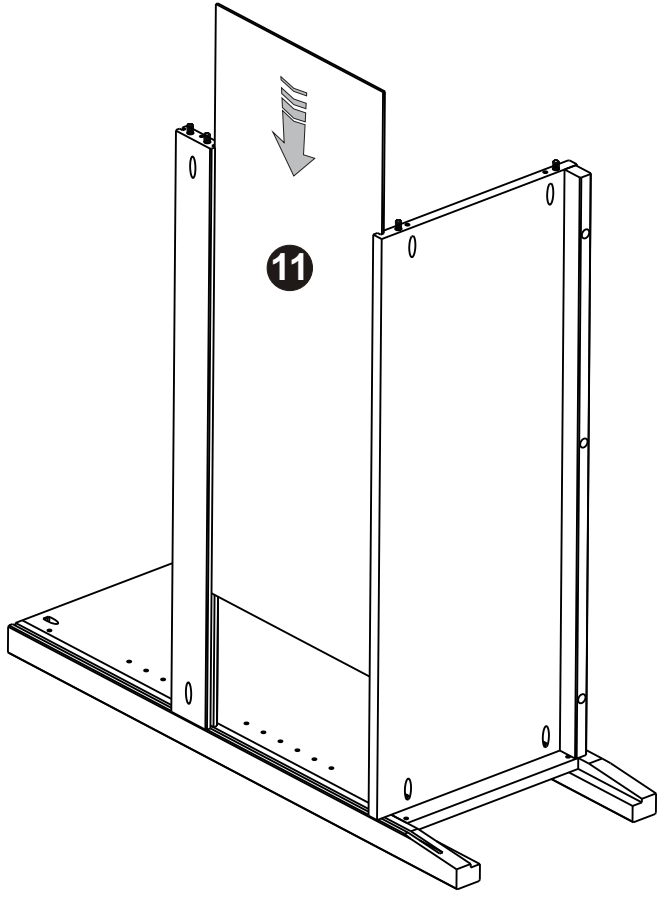


C		06
		Ø4x30mm

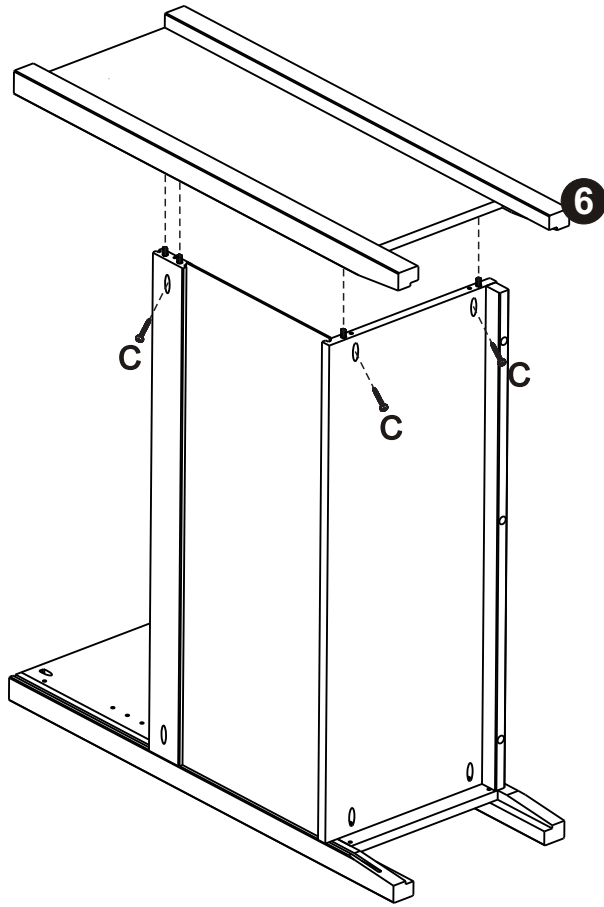
05




06

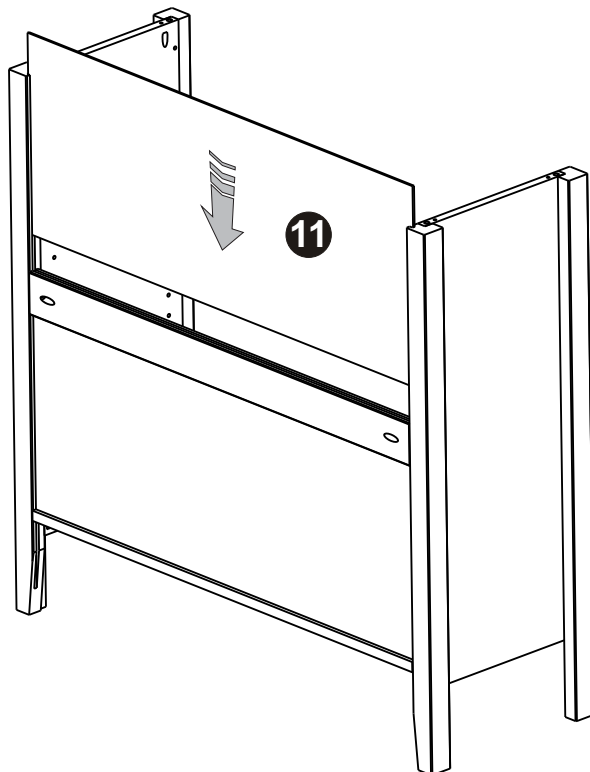


07

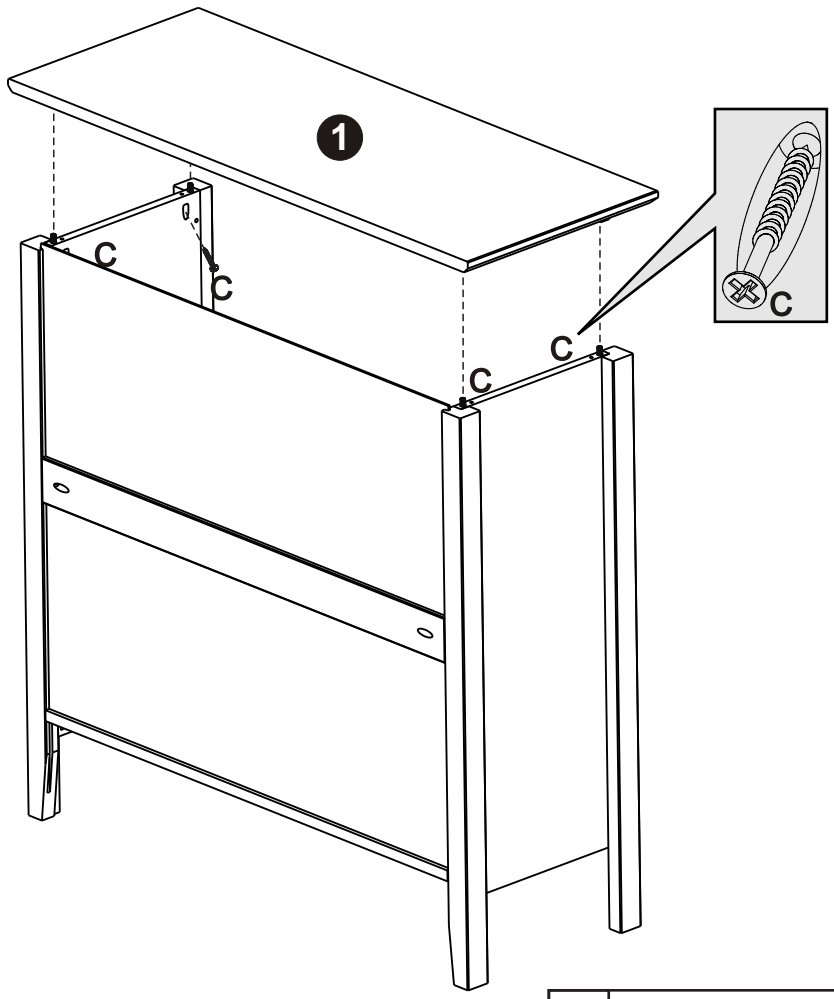


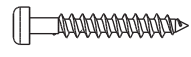
C		03
		Ø4x30mm

08

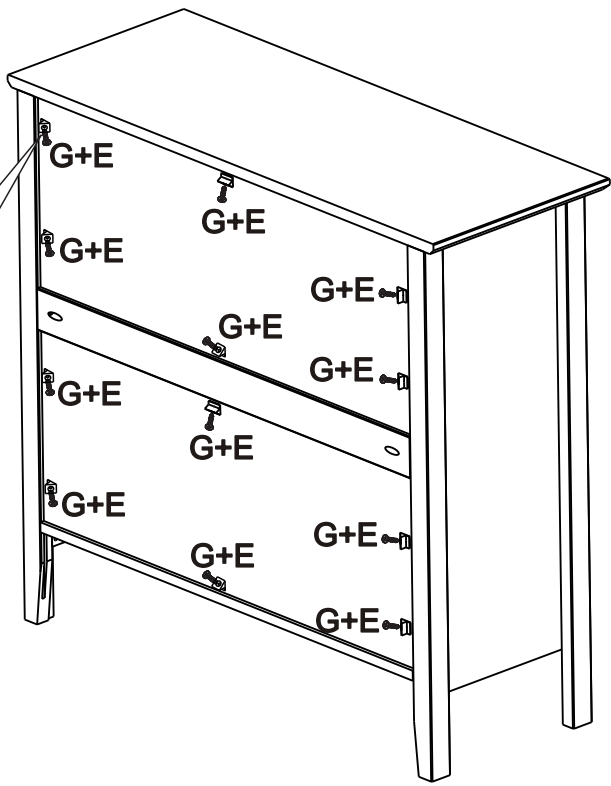
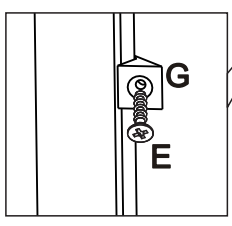


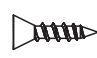
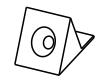
09



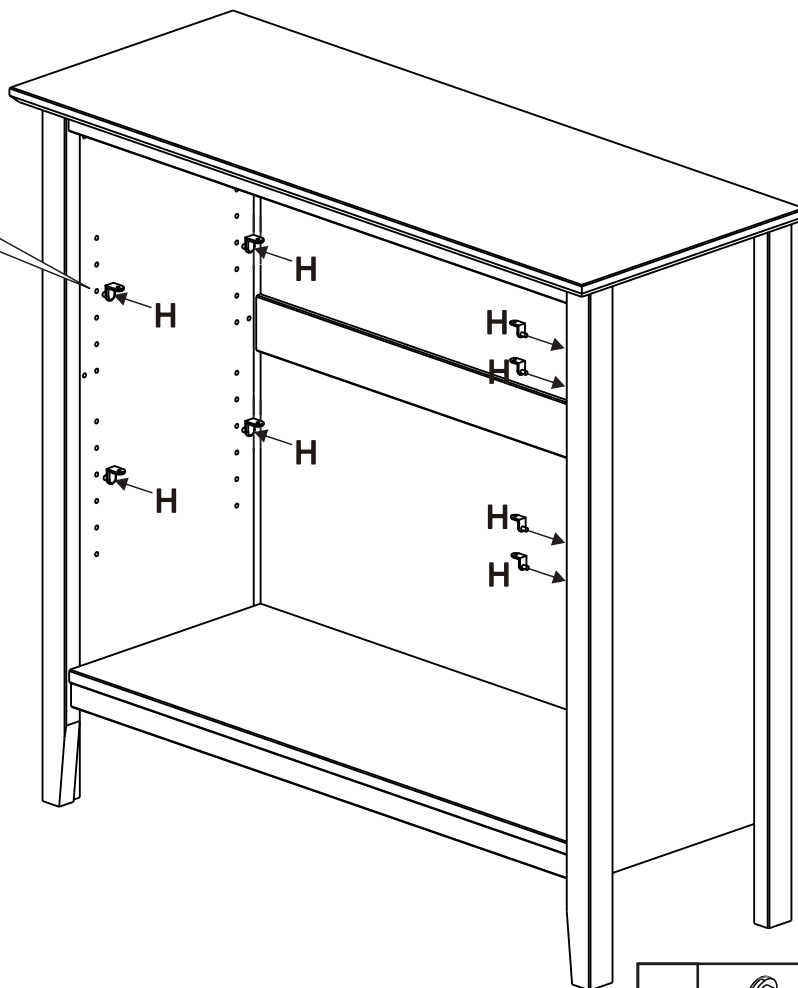
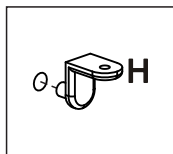
C		Ø4x30mm	04
---	---	---------	----

10



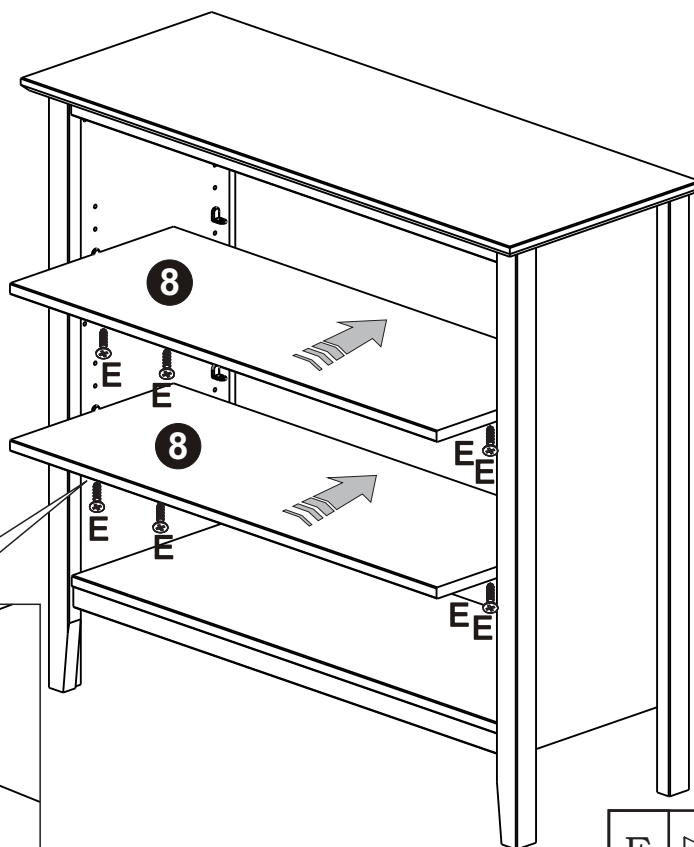
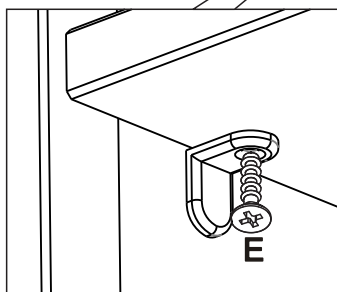
E		Ø3,5x16mm	12
G			12

11



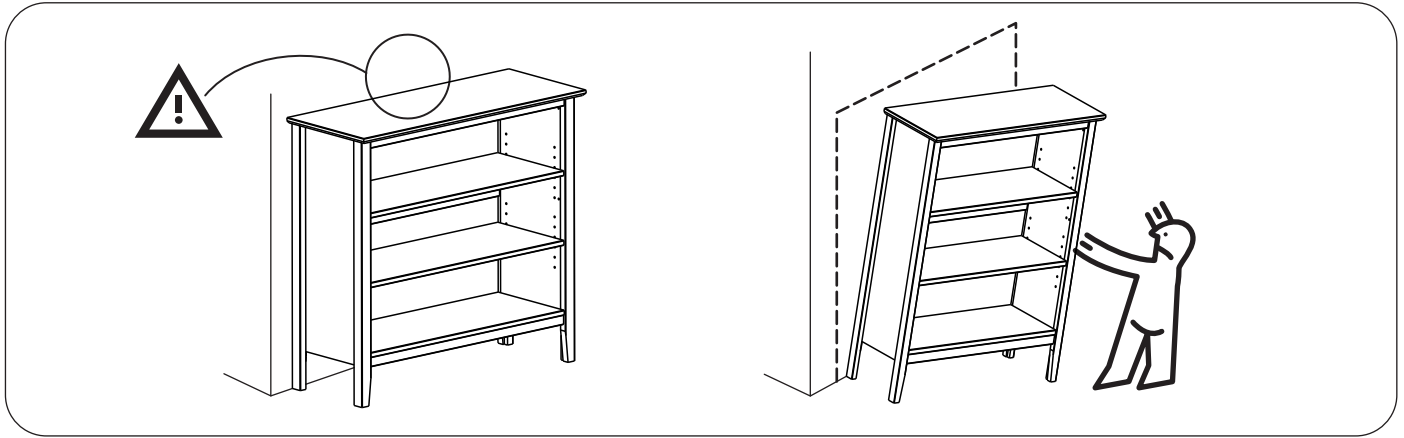
08

12

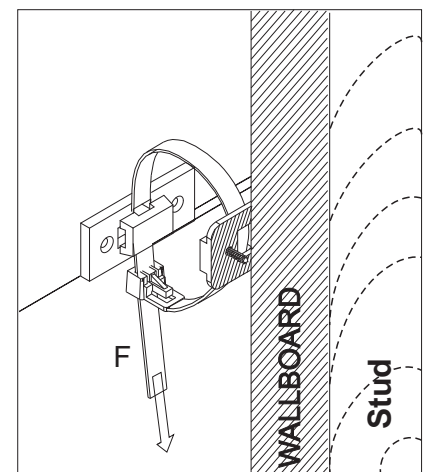
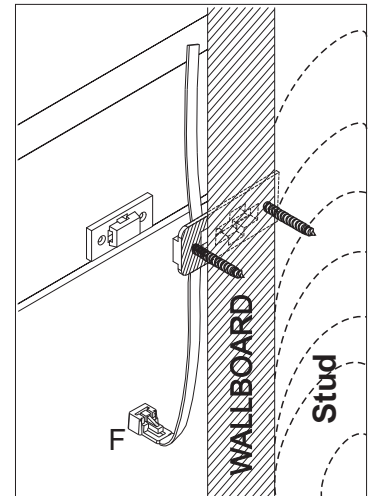
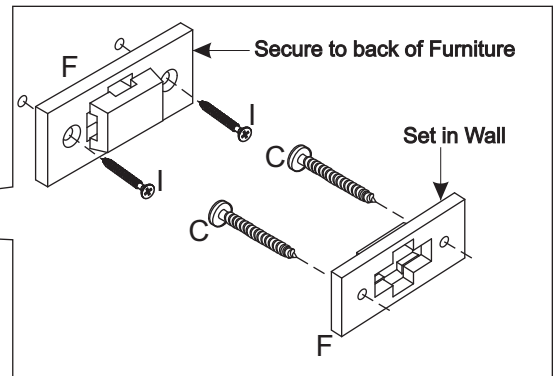
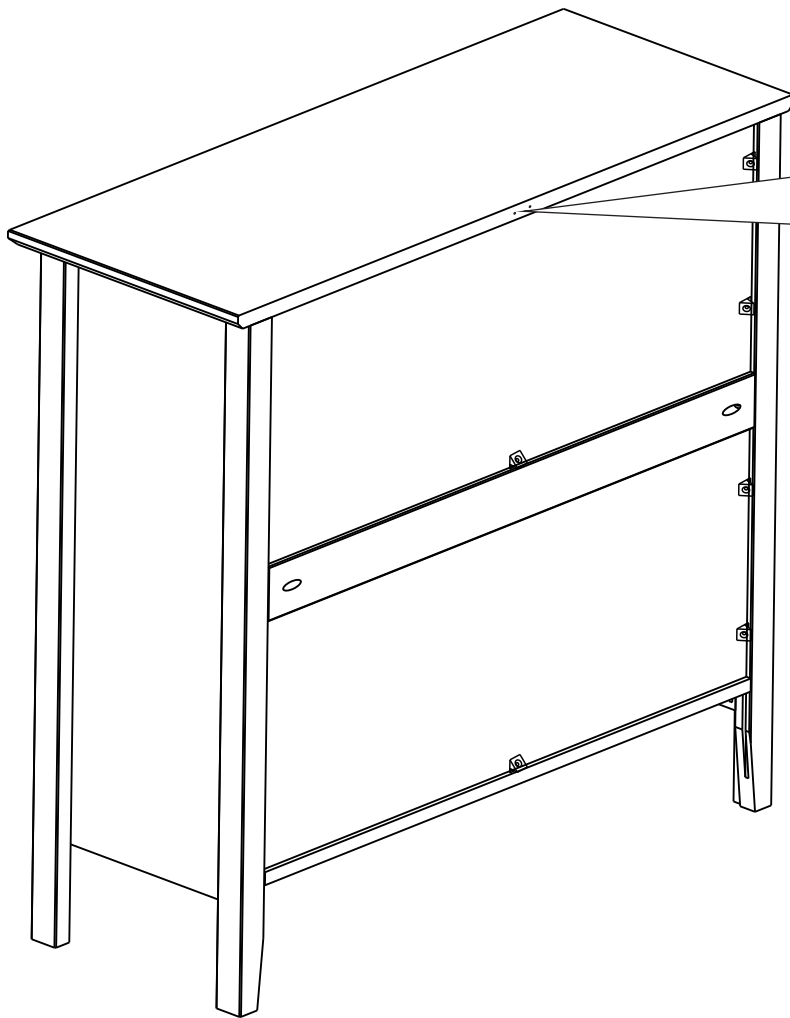


08

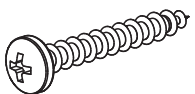
Ø3,5x16mm



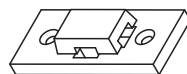
Secure to Stud behind Wallboard.



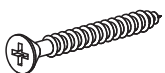
Secure to Stud behind Wallboard!



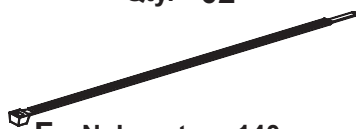
C - 4,0x30 Screw
Qty. 02



F - Plastic wall bracket
Qty. 02



I - 3,5x30 Screw
Qty. 02



F - Nylon strap 140mm
Qty. 01