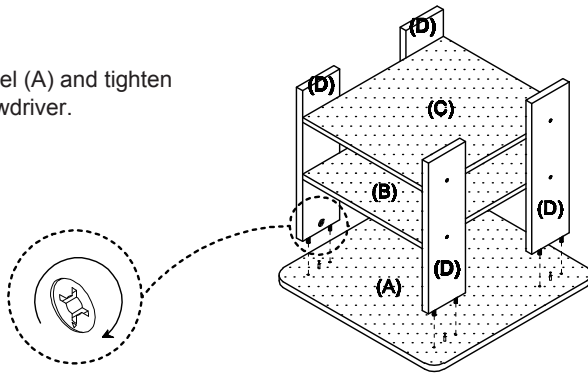


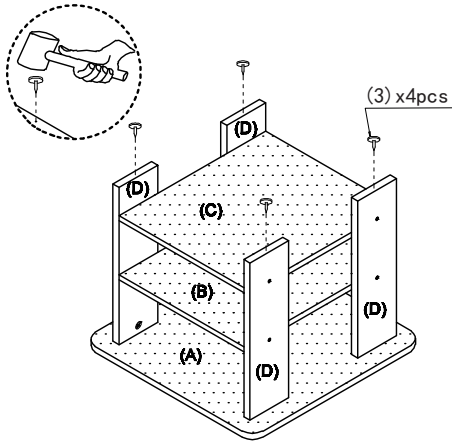
STEP 4

Attach assembled unit to Panel (A) and tighten Cam-Lock Nut (4) using screwdriver.



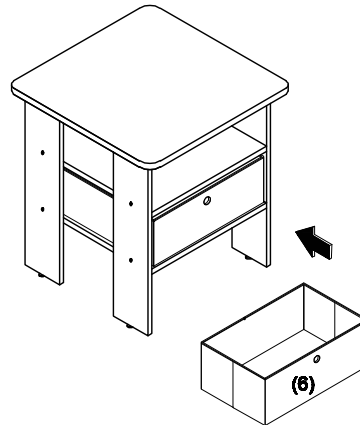
STEP 5

Install Nail Leg (3) to the bottom of Panel (D) using hammer.

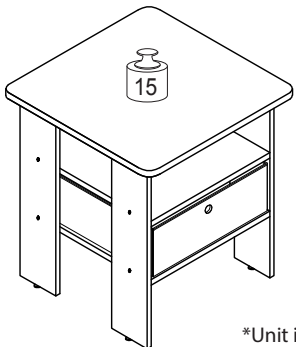


STEP 6

Unfold Bin (6) and slide into the table.



Recommended Maximum Weight



*Unit in Pound(lbs)

WARNING:

>This unit has been designed to support the maximum loads shown. Exceeding these load limits could cause sagging, instability, product collapse, and/or serious injury.

>DO NOT allow children to climb on unit.

>Put heavier items on lower shelves.

Assembly Instruction

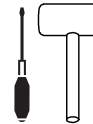
End Table Bedroom Night stand w/Bin
Drawer

00:15

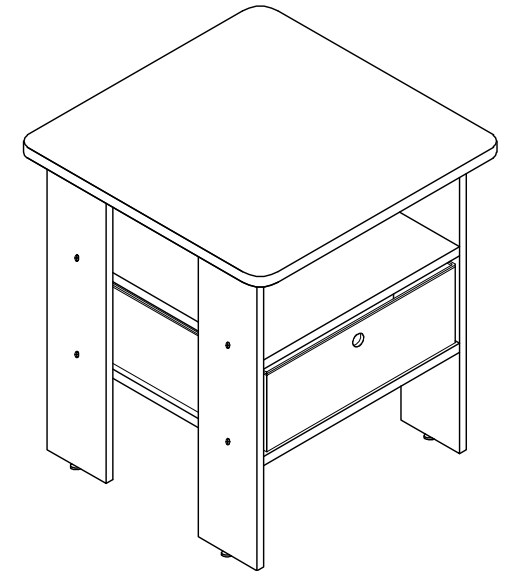
Approx. 15 minutes









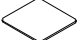



Recomm. 1 Person

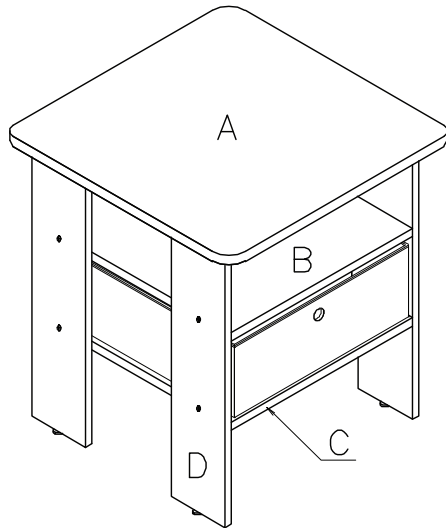


Tools Required



No	Hardware List	Qty
1	Chipboard Screw 	8pcs
2	Dowel 	24pcs
3	Nail Leg 	4pcs
4	Cam-Lock Nut 	4pcs
5	Cam-Lock Screw 	4pcs
6	Non-Woven Bin 	1pc

No	Parts List	Qty
A	Top Panel 	1pc
B	Bottom Panel 	1pc
C	Front Panel 	1pc
D	Side Panel 	4pcs

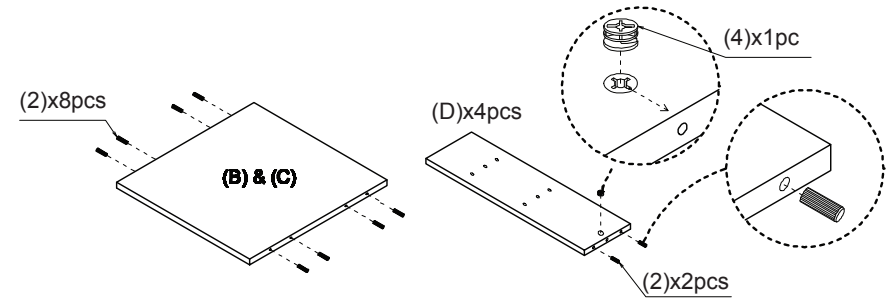


USEFUL HINTS BEFORE YOU START:

1. Read each step carefully before starting.
2. It is important that each step is performed in correct order to avoid difficulties.
3. Identify, sort and count the parts before assembly.
4. Assemble your furniture on packaging cardboard to prevent scratch or damage.
5. Clean the product with mild cleanser using soft damped cloth. Do not use harsh or abrasive cleanser.
6. Using incompatible hardware might cause damage to product.

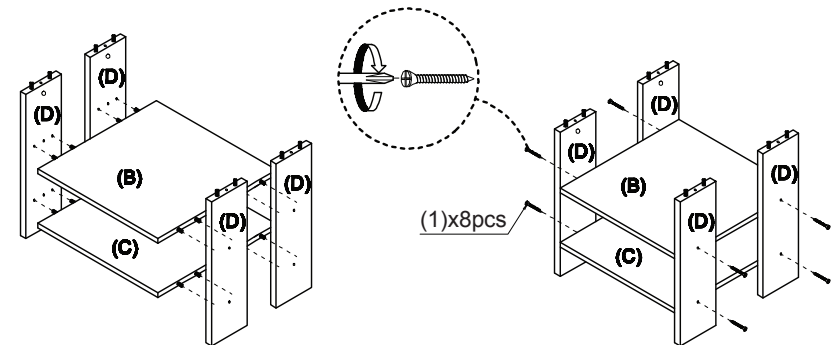
STEP 1

- 1.1 Insert Dowel (2) to Panel (B)(C)(D).
 - 1.2 Insert Cam-Lock Nut (4) into Panel (D).
- Note: Arrow on Cam-Lock Nut (2) should be pointing towards hole.



STEP 2

Attach Panel (D) to Panel (B)&(C) and tighten with Screw (1).



STEP 3

Attach Cam-Lock Screw (5) into the pre-drilled holes on Panel (A).

