

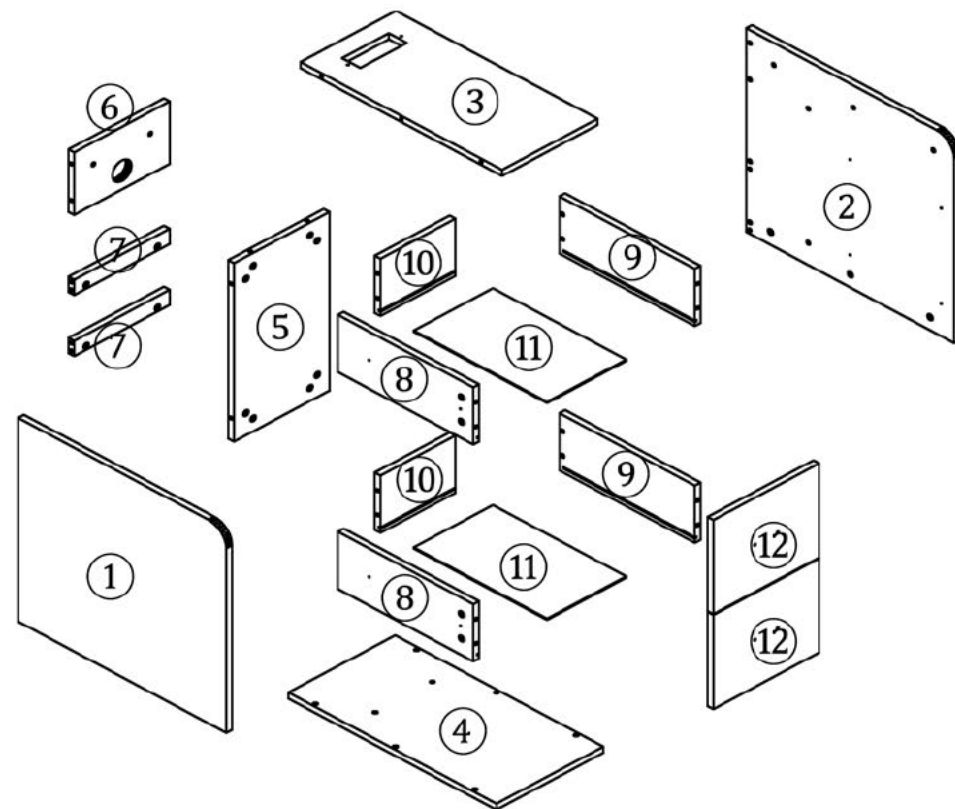
ASSEMBLY INSTRUCTION



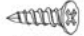








- It would be best if you set aside and organize all pieces & corresponding "nuts/bolts" first .
- Please follow the instructions to assemble the items correctly.
- Could be assembled by one person ,but would recommend two.
- Please ensure the safety of the glass when assembling.
- Do not make the screws too loose or too tight.
- As shown in the figure, Insert the screw into the hole.
The arrow in the picture, Then rotate 90° or 180° clockwise.
- The remaining parts are spare parts.

installation instruction videos.

SAFETY INFORMATION

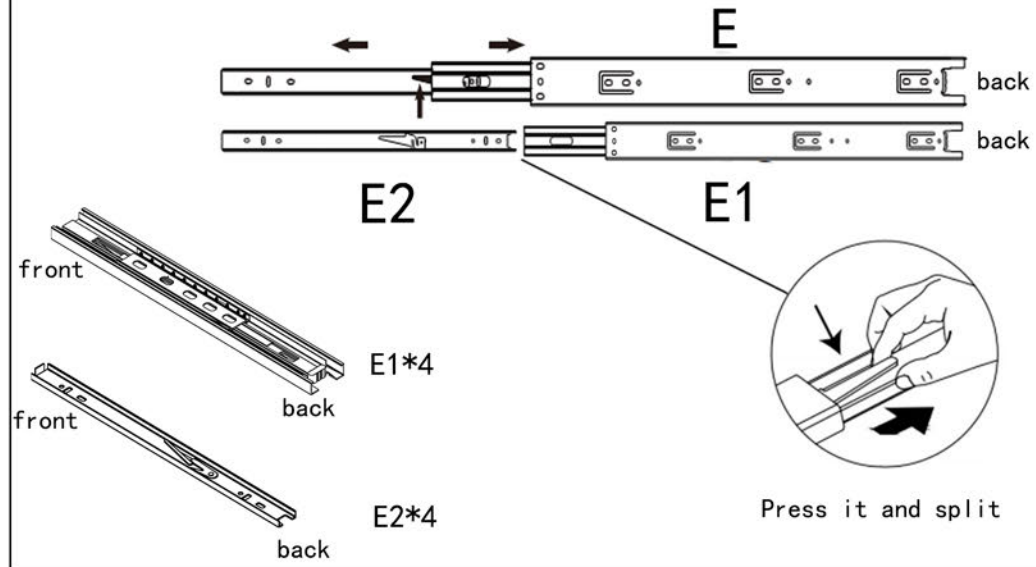
- The accessory bag contains some small accessories , which should be kept away from children.
- Kids are not allowed to climb or play with the product for safety reasons .



 A*46	 B*46	 3.5*16 C*34	 D*4	 E*4	 F*4	 G*1
 53mm H*1	 I*2	 J*4	 K*1			

STEP 1

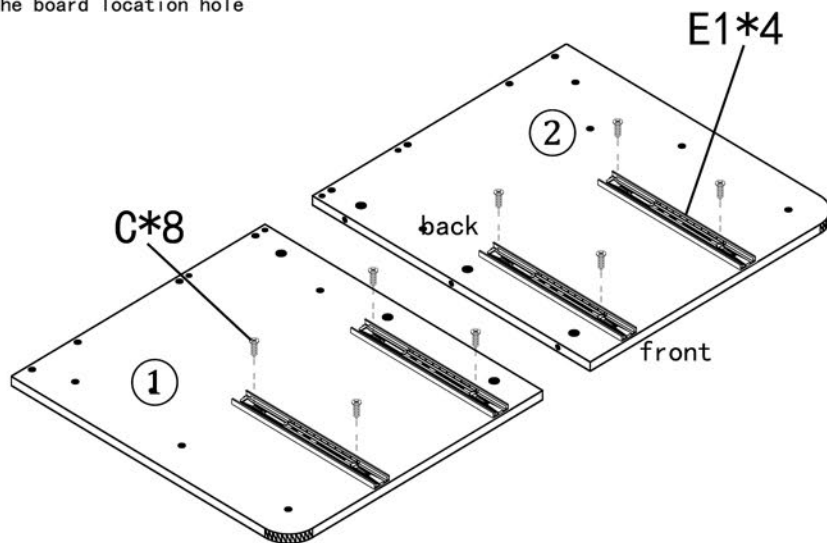
Warm Reminder:
Before installing the drawer rail,
you need to separate the E1 and E2 first.



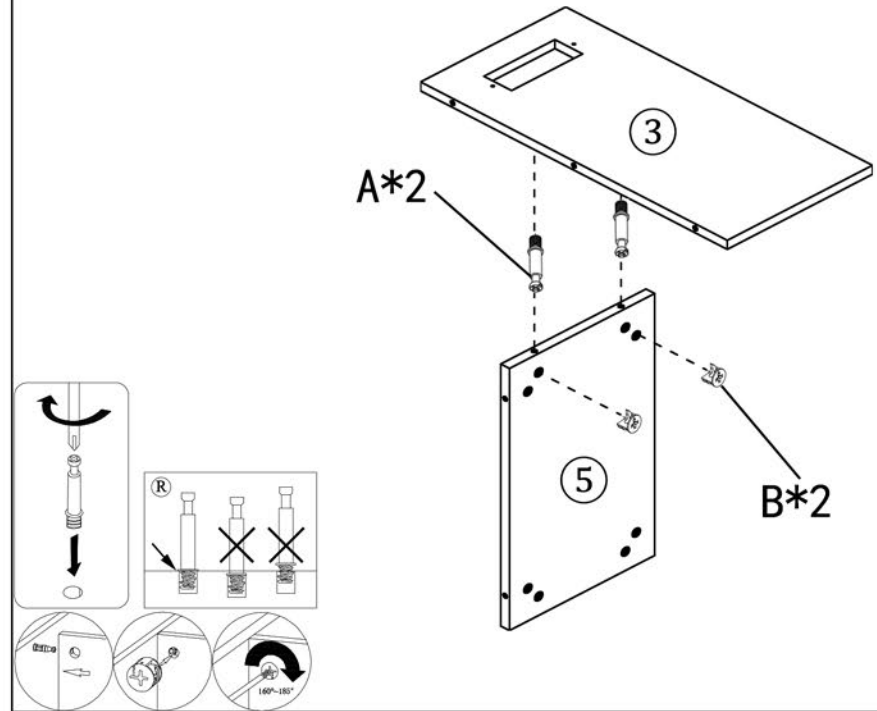
STEP 2



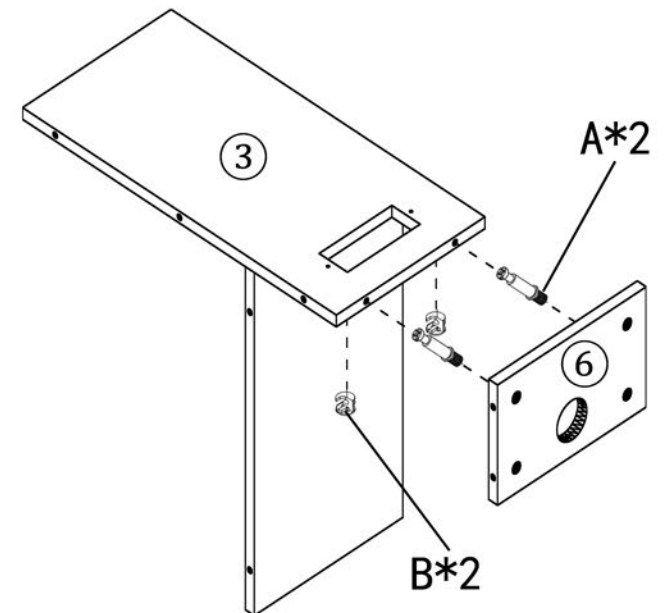
The first screw hole should corresponded
with the board location hole



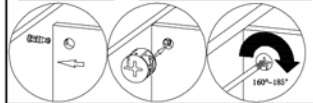
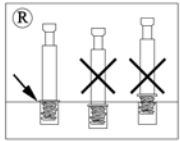
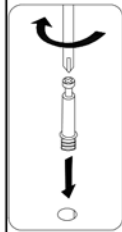
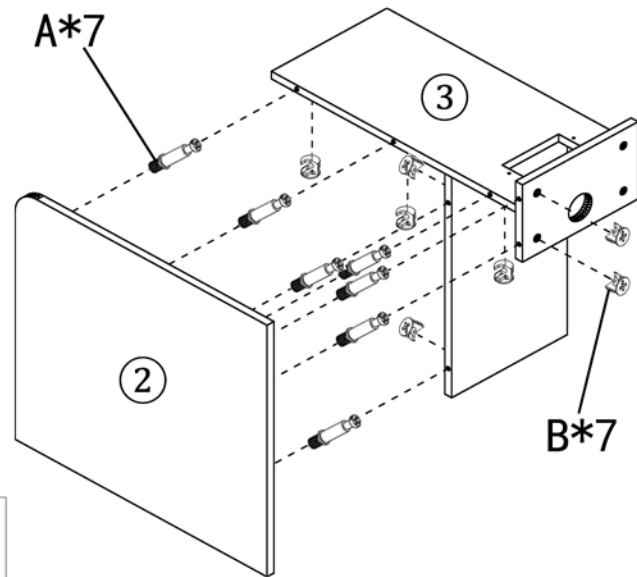
STEP 3



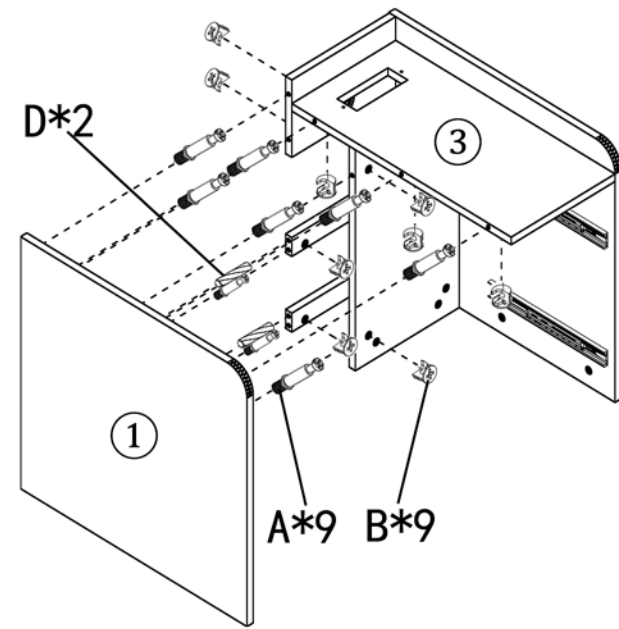
STEP 4



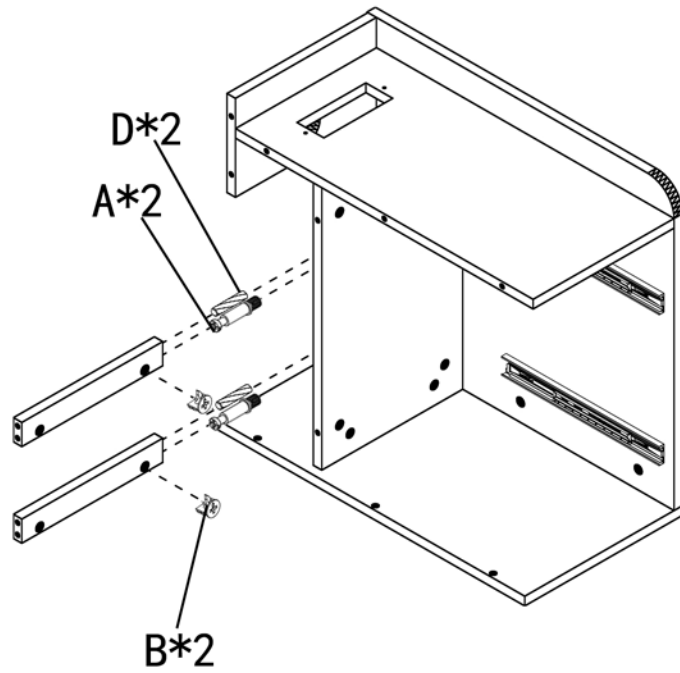
STEP 5



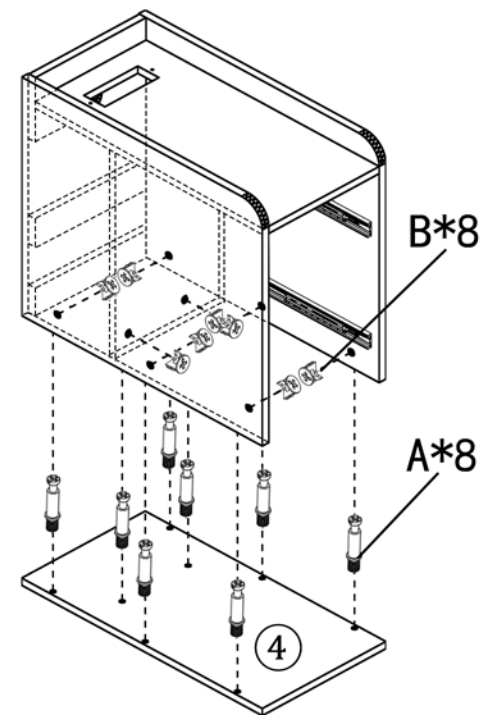
STEP 7



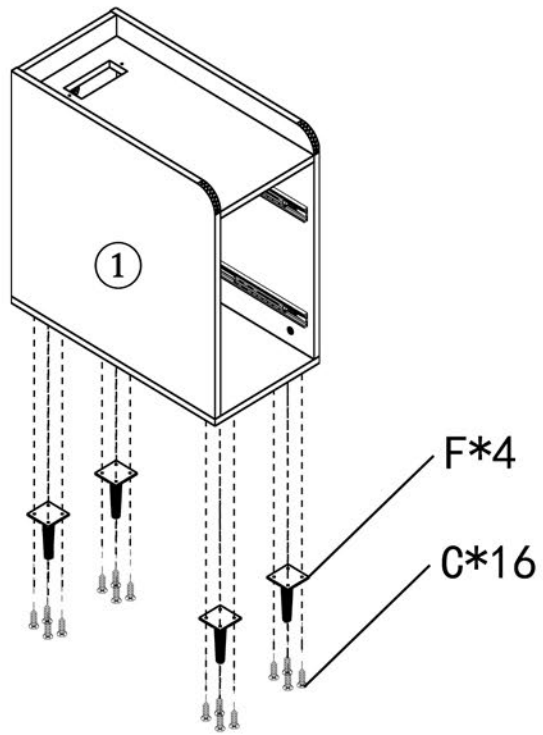
STEP 6



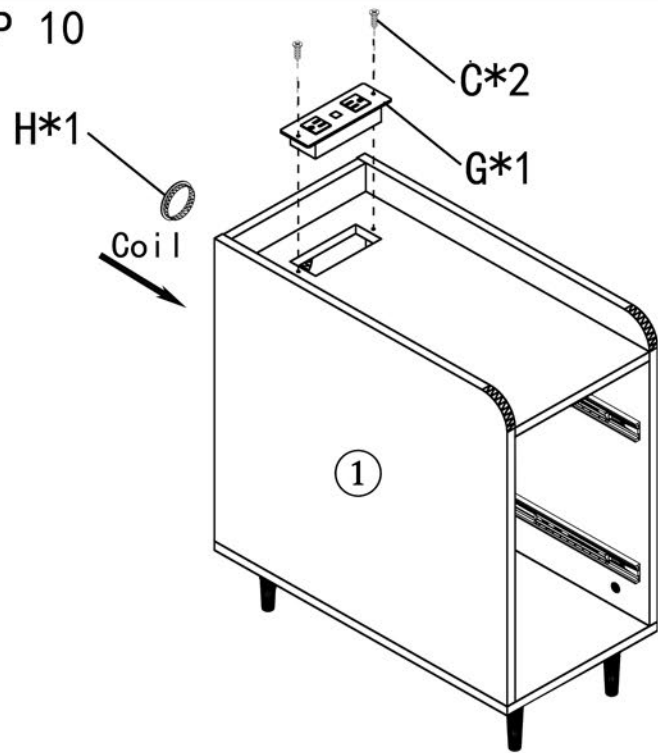
STEP 8



STEP 9



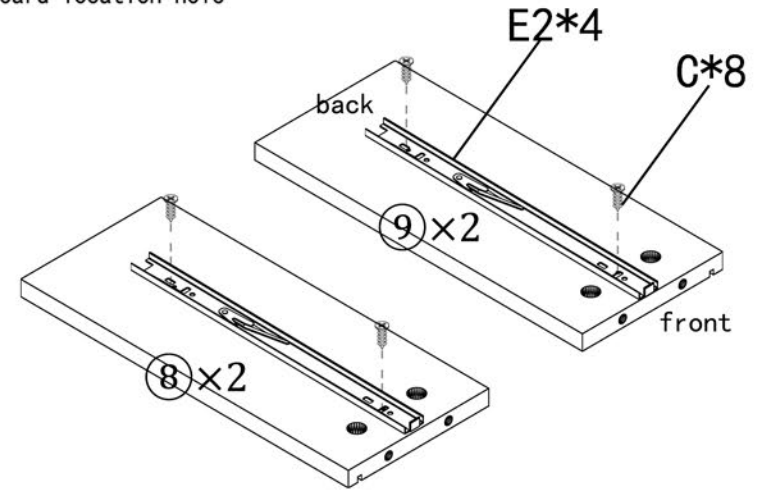
STEP 10



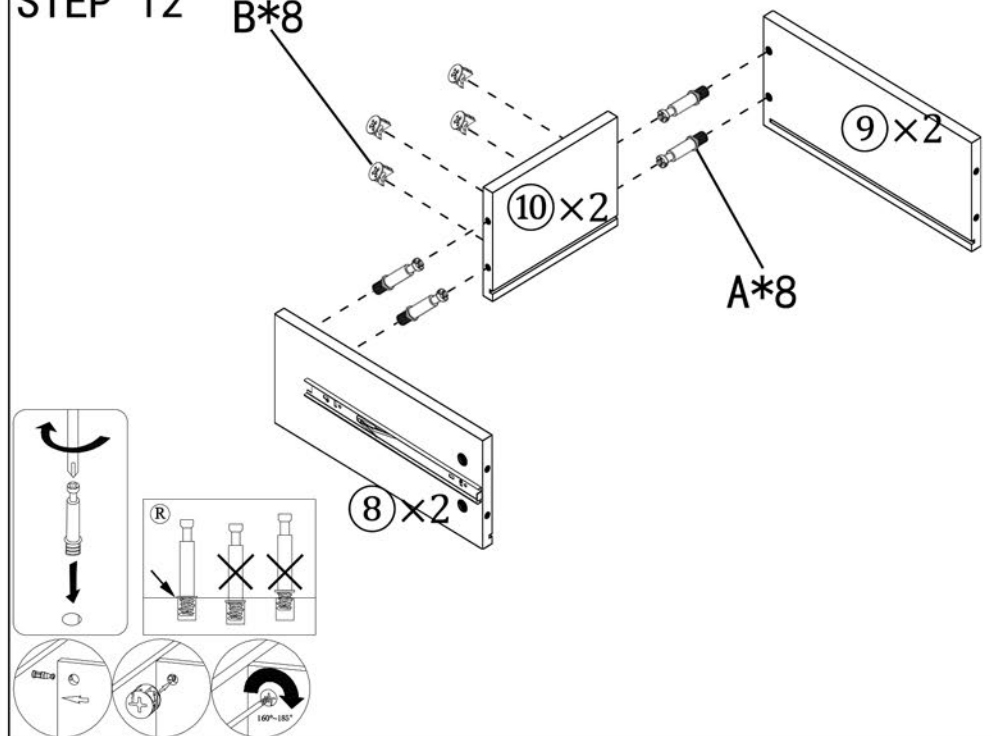
STEP 11



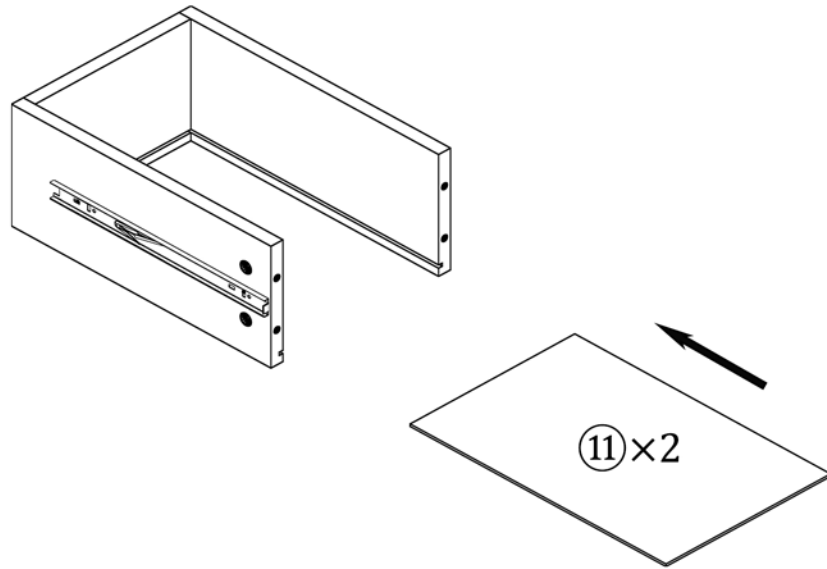
The first screw hole should corresponded with the board location hole



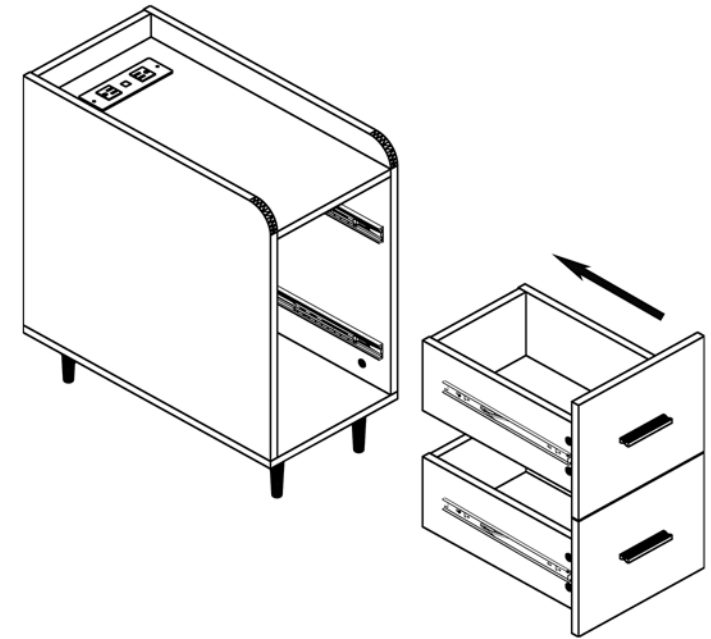
STEP 12



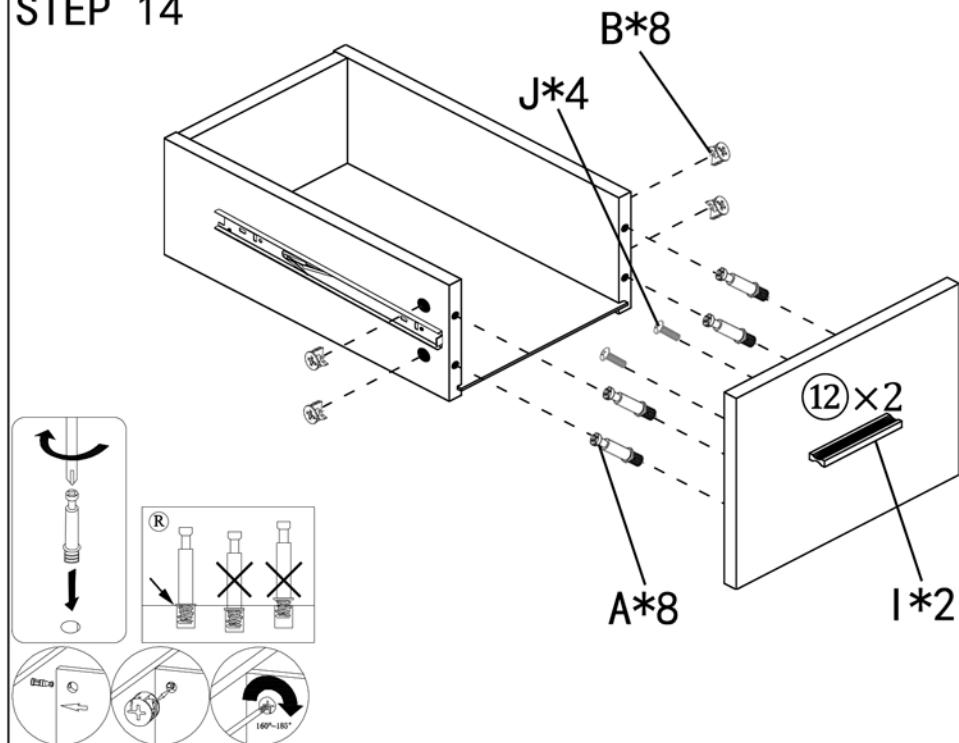
STEP 13



STEP 15



STEP 14



STEP 16

