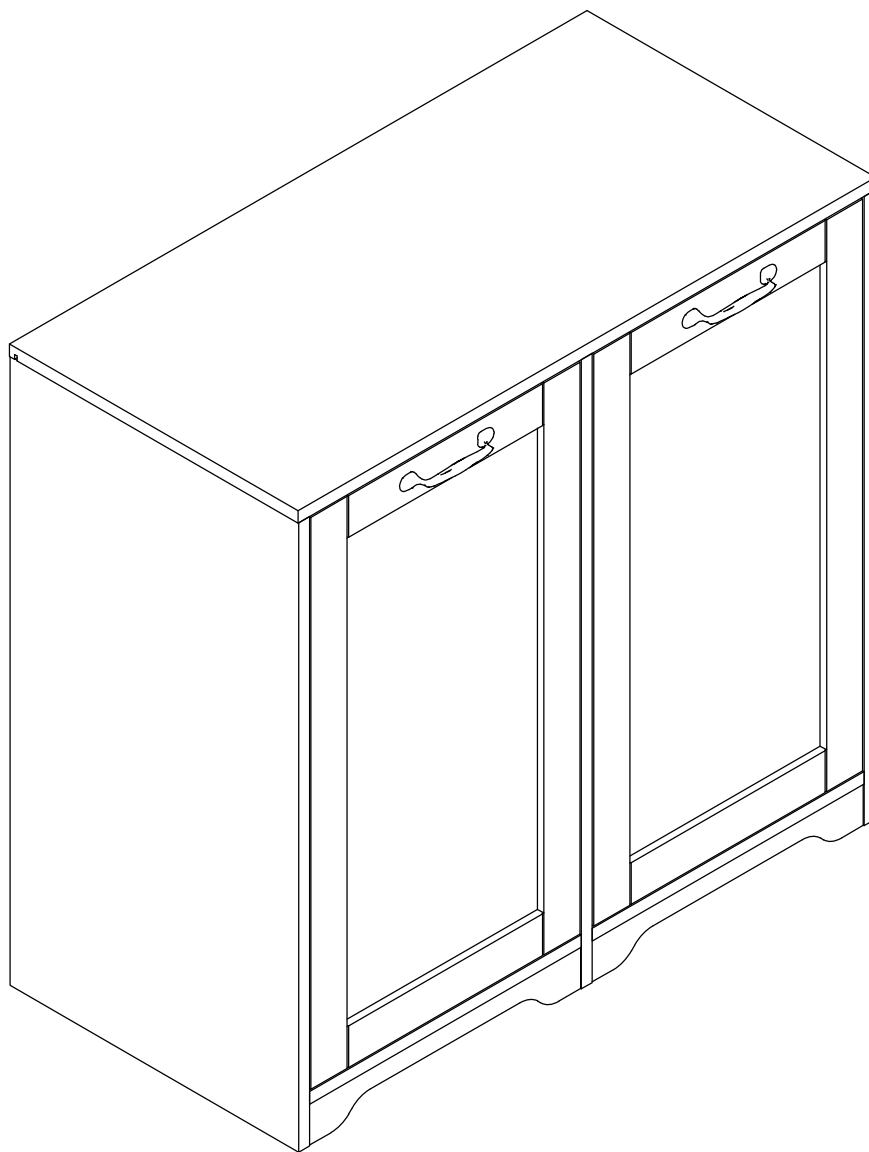
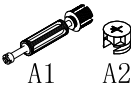

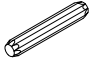



Installation & Assembly





A

 A1 A2
 28PCS

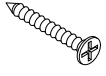
B

 B1 B2
 21PCS
 8*40

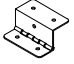
C

 21PCS
 6*30


D

 28PCS


E

 8PCS


F

 4PCS
 5*298

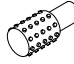
G

 18PCS
 3.5*35


H

 4PCS

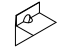
I

 20PCS
 3.5*14

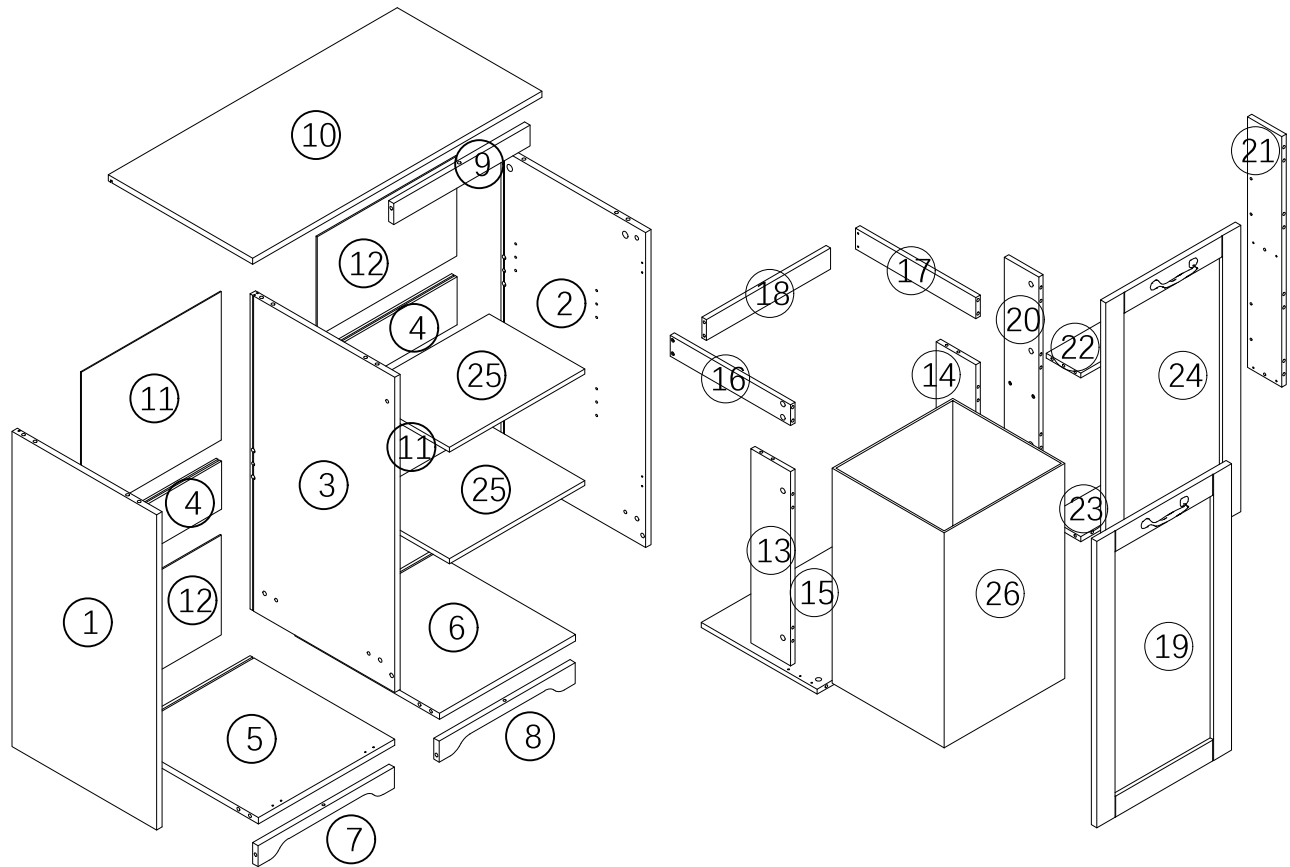
J

 2PCS

K

 4PCS
 4*18

L

 2PCS

M

 8PCS
 3*12

N

 8PCS

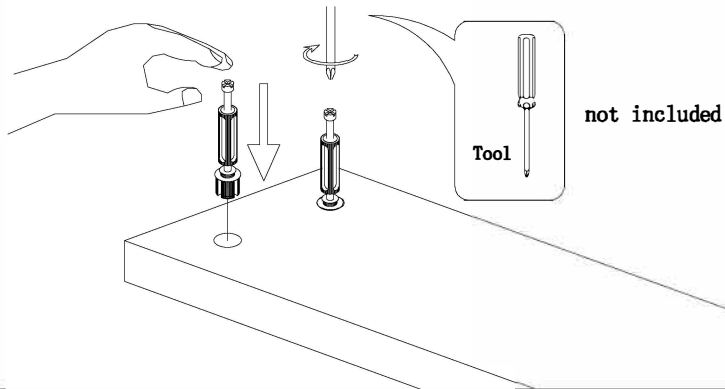




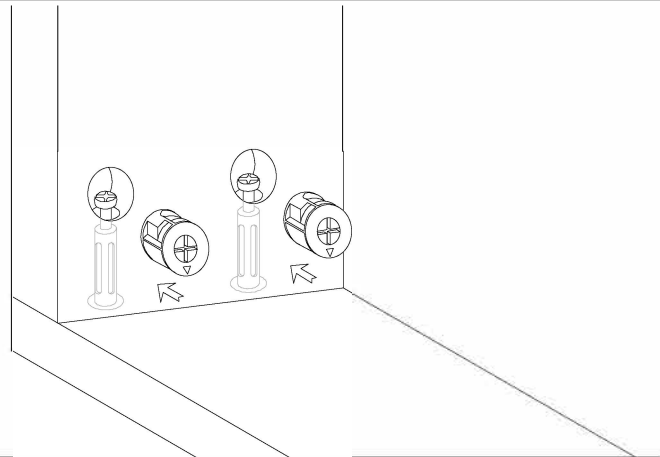
Hardware installation demonstration

NOTE: Please make sure "A" hardware tightened and can't be pulled out!

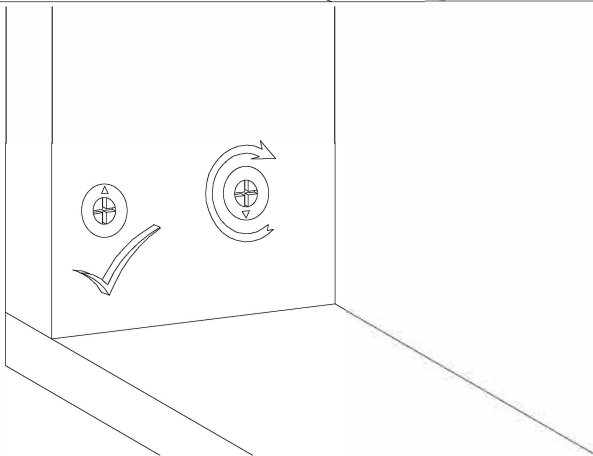
I



II



III

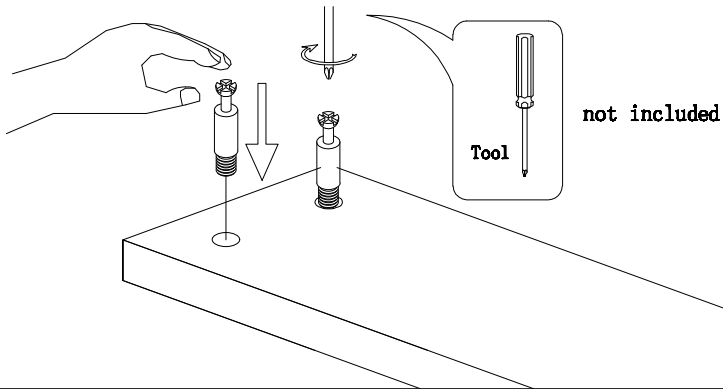




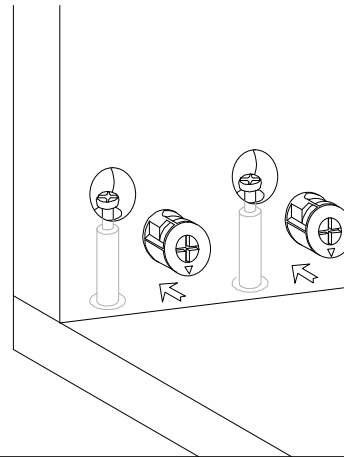
Hardware installation demonstration

NOTE: Please make sure "B" hardware tightened and can't be pulled out!

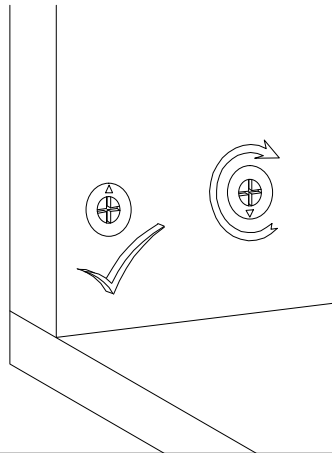
I

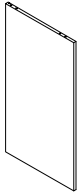
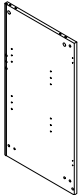
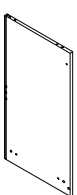
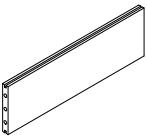
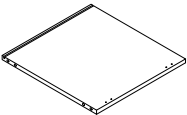
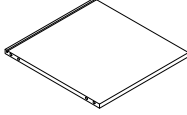
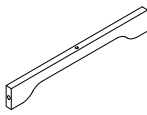
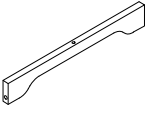
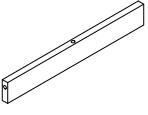
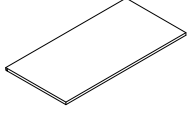
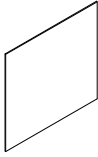
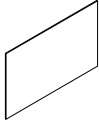


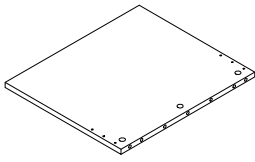
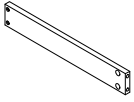


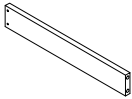
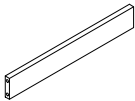
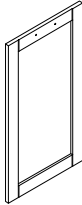


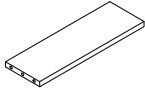
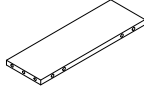
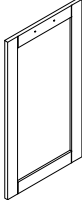
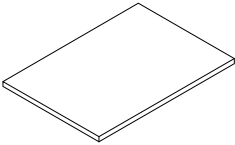
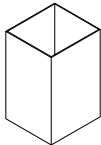
II



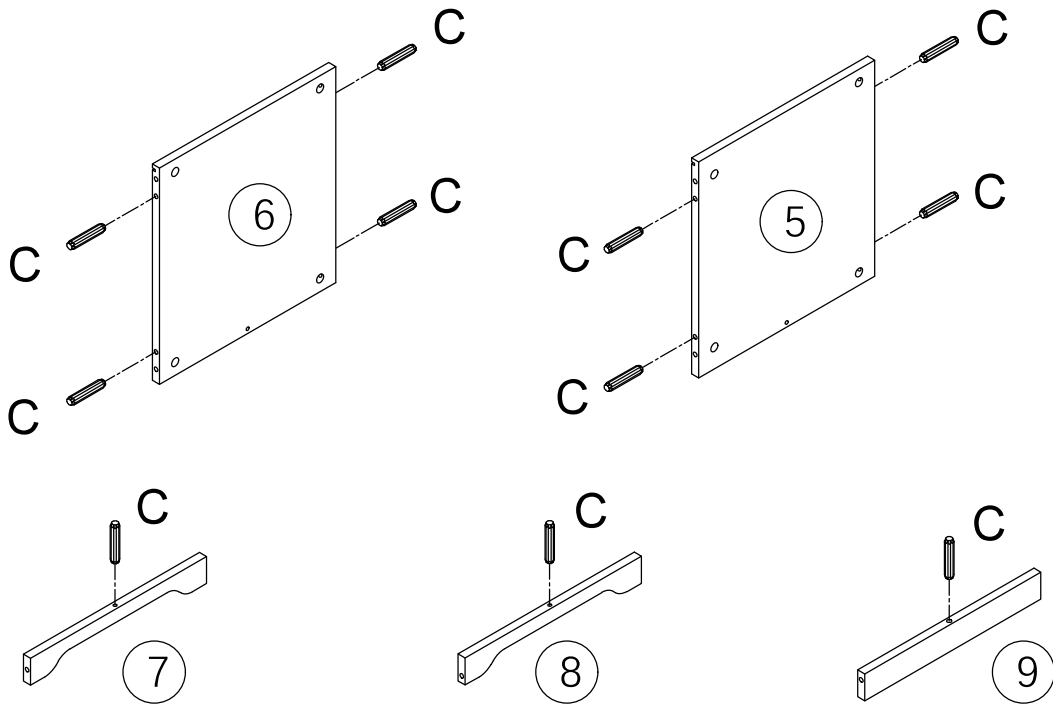
III



1	755*400mm 	2	755*400mm 	3	755*400mm 	4	376.5*115mm 
29.7*15.7"	1pc	29.7*15.7"	1pc	29.7*15.7"	1pc	14.8*4.5"	2pcs
5	400*376.5mm 	6	400*376.5mm 	7	376.5*50mm 	8	376.5*50mm 
15.7*14.8"	1pc	15.7*14.8"	1pc	14.8*2"	1pc	14.8*2"	1pc
9	376.5*50mm 	10	800*400mm 	11	386.5*355.5mm 	12	386.5*239.5mm 
14.8*2"	1pc	31.5*15.7"	1pc	15.2*14"	2pcs	15.2*9.4"	2pcs
13	465*110mm 	14	465*110mm 	15	370.5*320mm 	16	333*50mm 
18.3*4.3"	1pc	18.3*4.3"	1pc	14.6*12.6"	1pc	13.1*2"	1pc

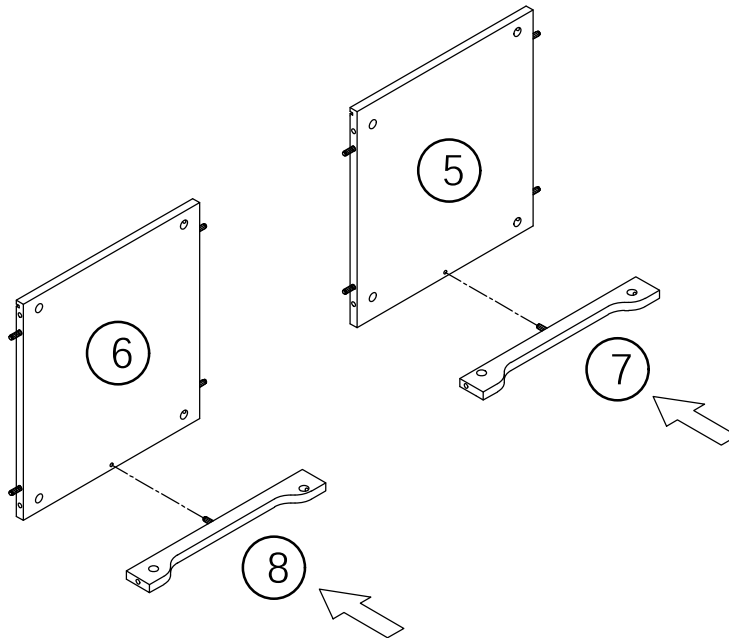
<p>17</p> <p>333*50mm</p>  <p>13.1*2"</p> <p>1pc</p>	<p>18</p> <p>343.5*50mm</p>  <p>13.5*2"</p> <p>1pc</p>	<p>19</p> <p>686*372.5mm</p>  <p>27*14.7"</p> <p>1pc</p>	<p>20</p> <p>600*95mm</p>  <p>23.6*3.7"</p> <p>1pc</p>
<p>21</p> <p>600*95mm</p>  <p>23.6*3.7"</p> <p>1pc</p>	<p>22</p> <p>288.5*95mm</p>  <p>11.4*3.7"</p> <p>1pc</p>	<p>23</p> <p>288.5*95mm</p>  <p>11.4*3.7"</p> <p>1pc</p>	<p>24</p> <p>686*372.5mm</p>  <p>27*14.7"</p> <p>1pc</p>
<p>25</p> <p>374.5*265mm</p>  <p>14.7*10.4"</p> <p>2pcs</p>	<p>26</p> <p>340*315*515mm</p>  <p>13.4*12.4*20.3"</p> <p>1pc</p>		

1

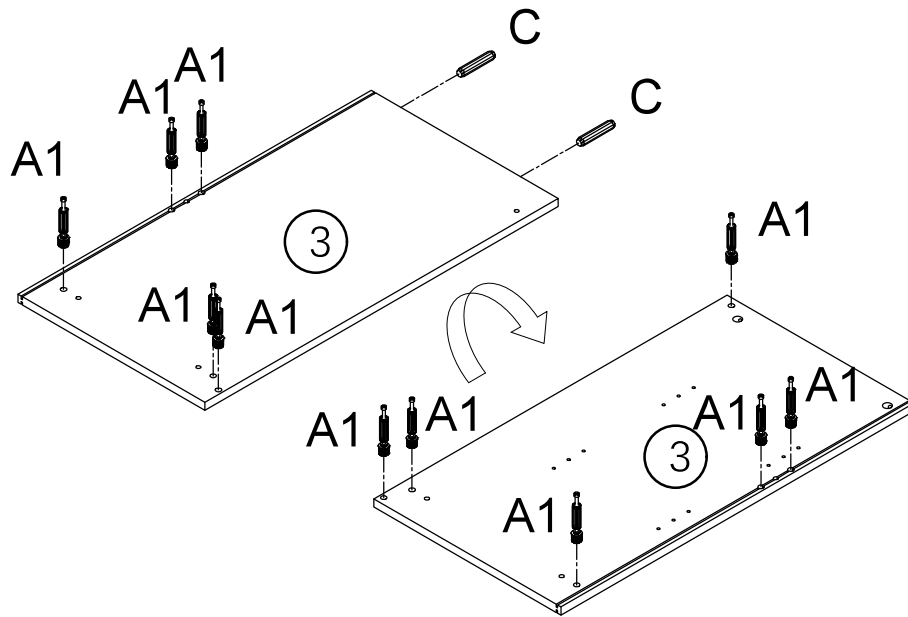


C*11

2



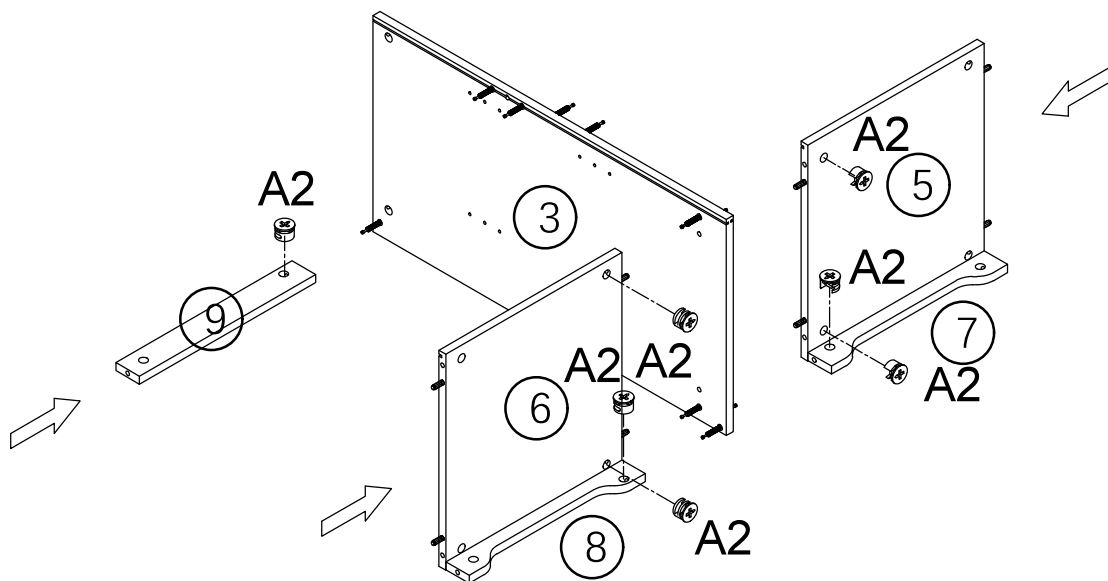
3



Put A1 on (3)

A1*11 C*2

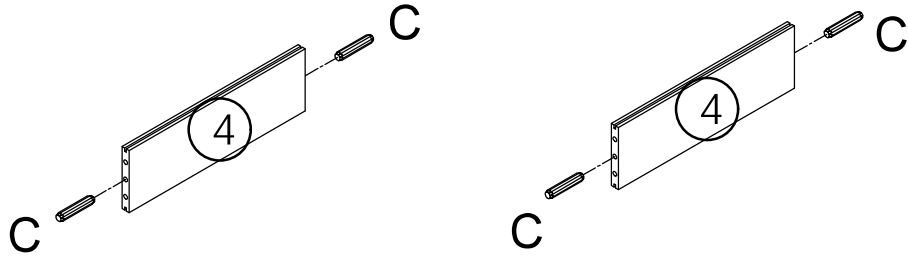
4



Put A2 on (5) (6) (7) (8) (9)

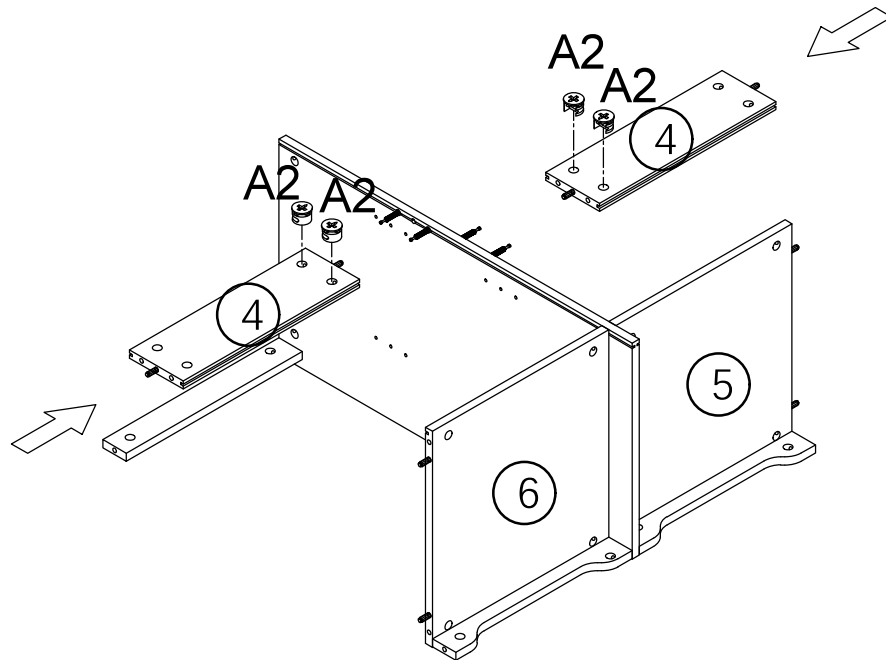
A2*7

5



C*4

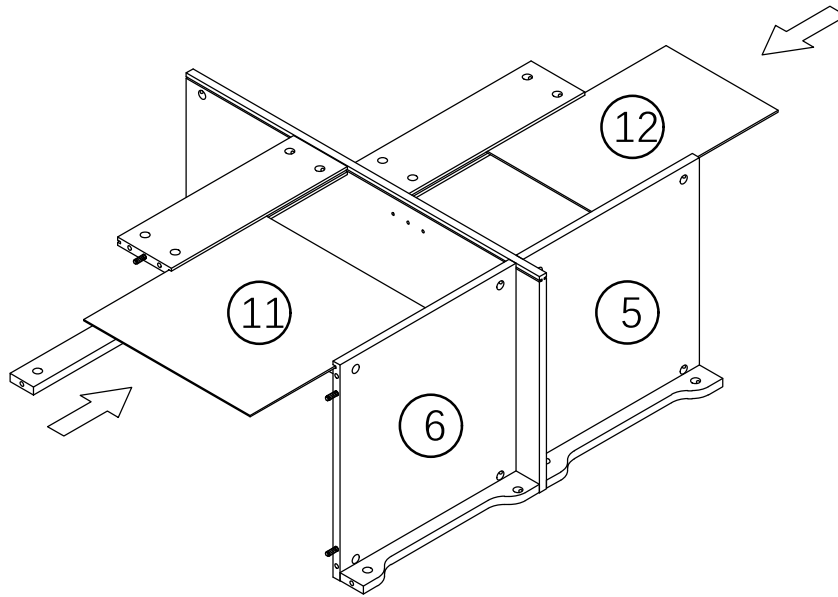
6



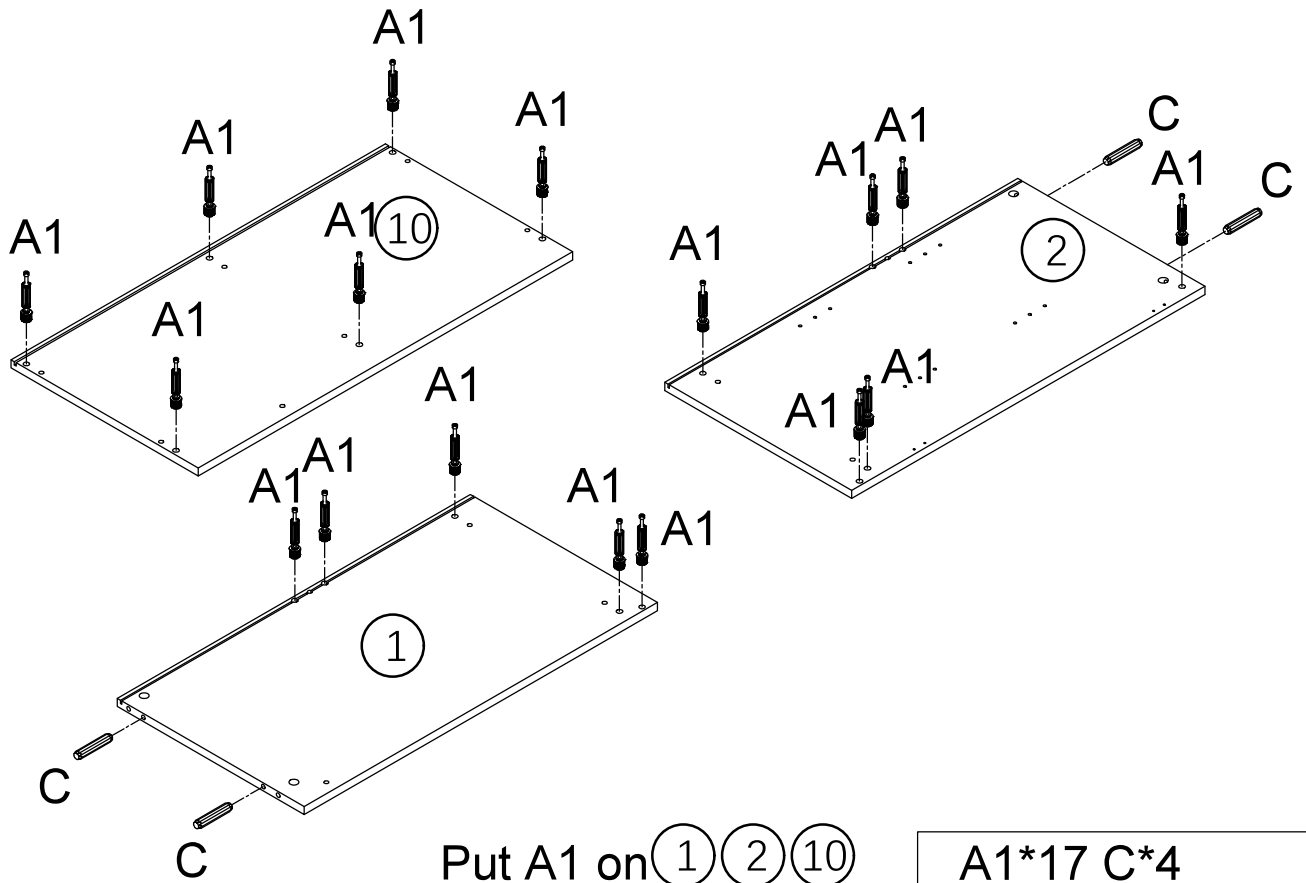
Put A2 on (4)

A2*4

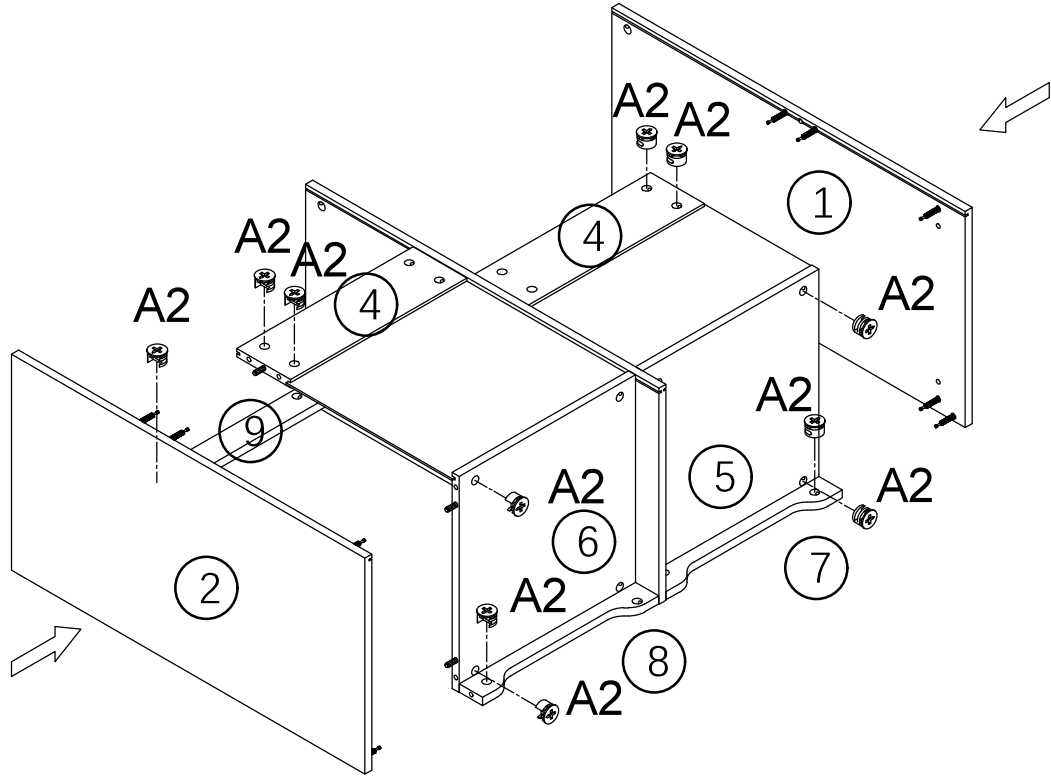
7



8



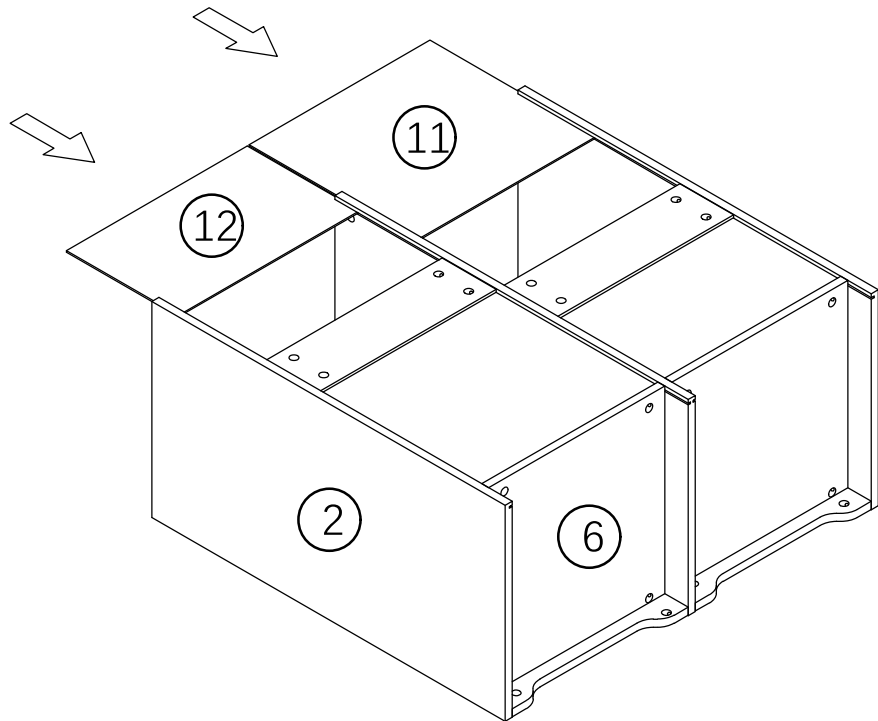
9



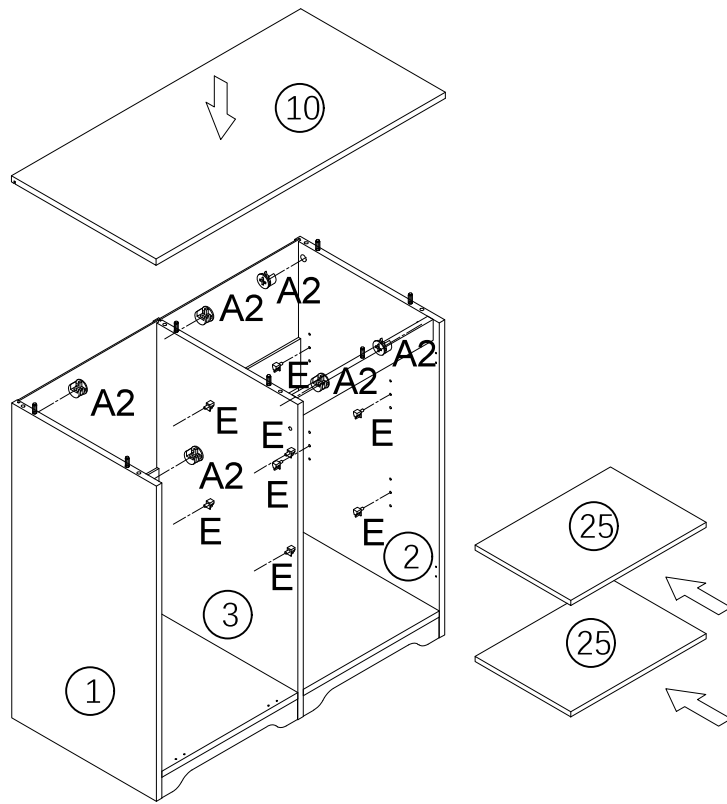
Put A2 on (4) (5) (6) (7) (8) (9)

A2*11

10



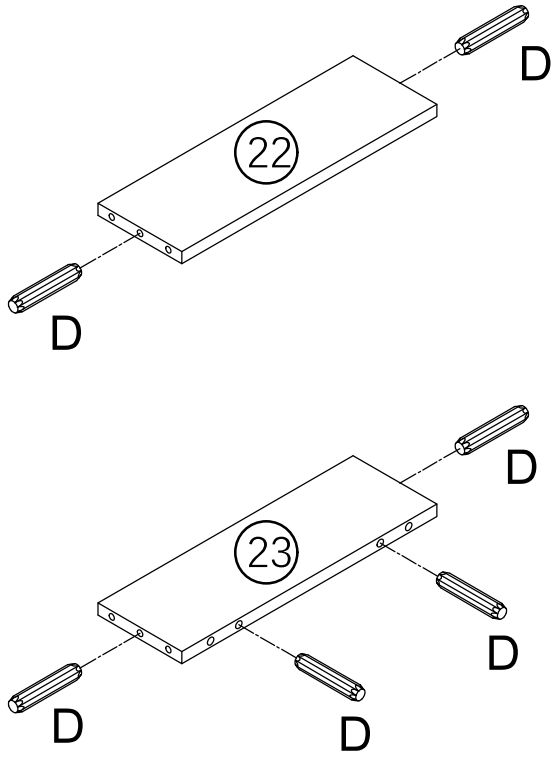
11



Put A2 on ① ② ③

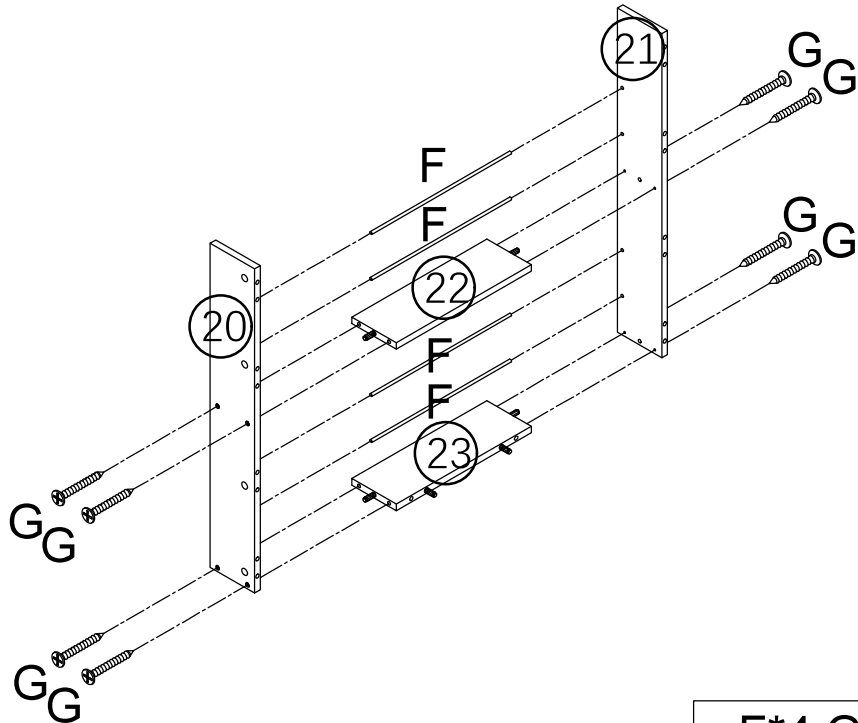
A2*6 E*8

12



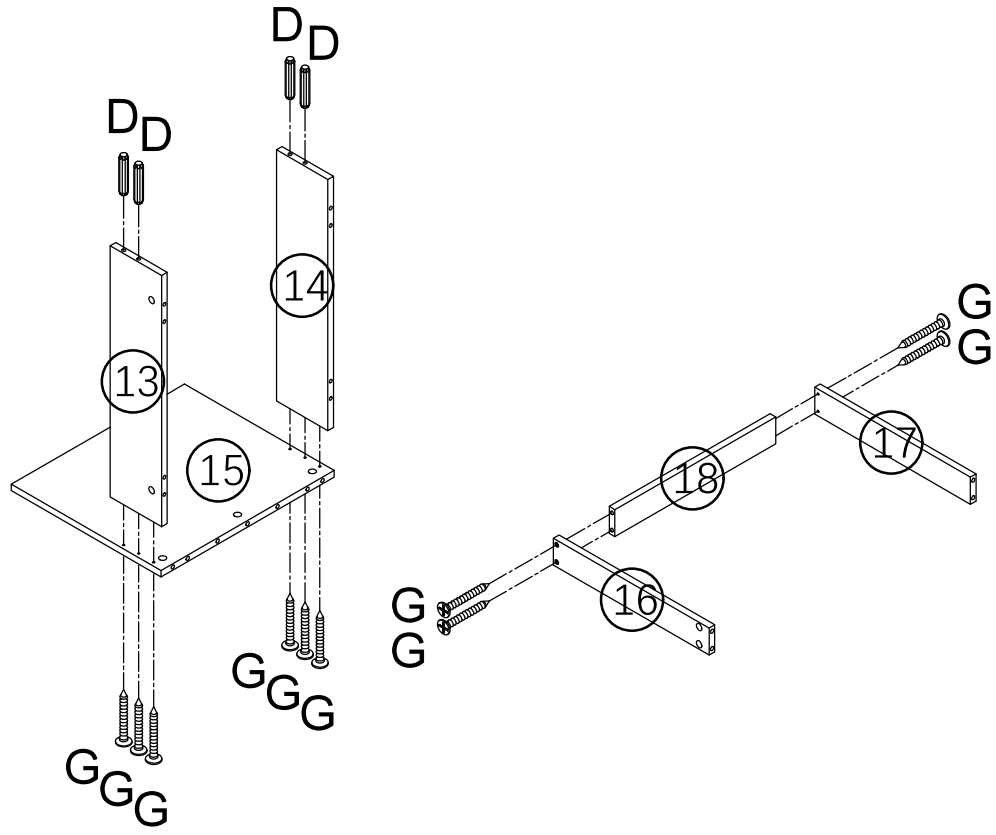
D*6

13



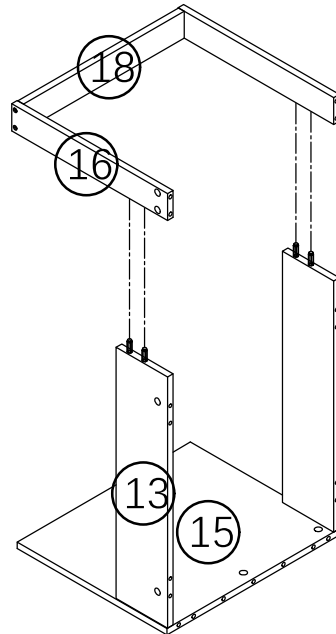
F*4 G*8

14

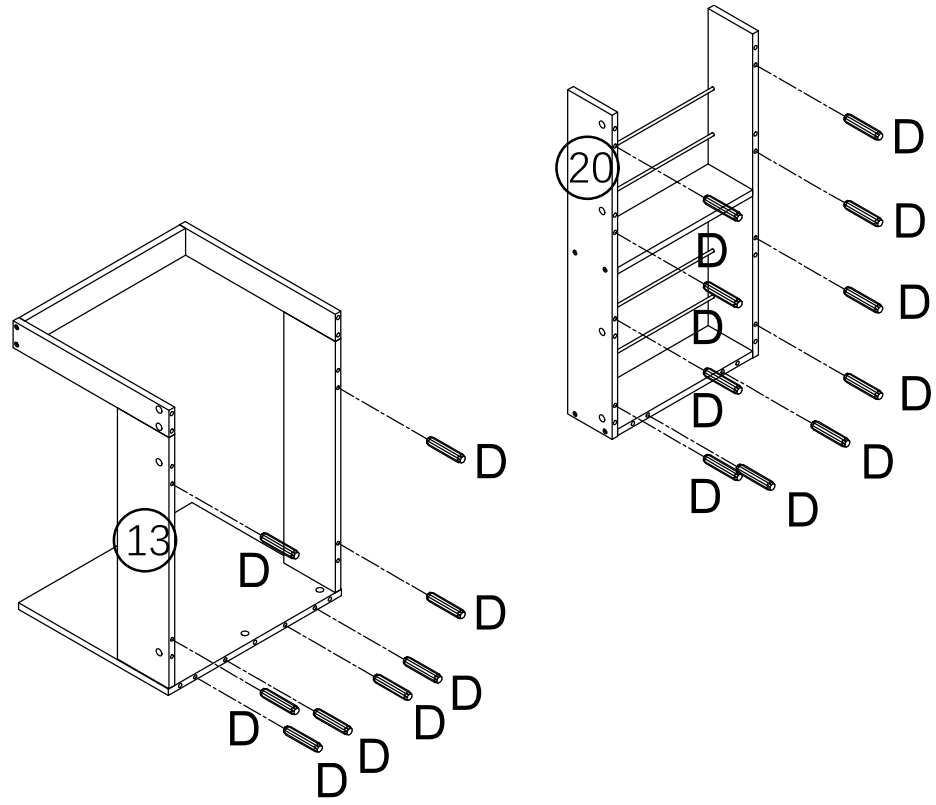


D*4 G*10

15

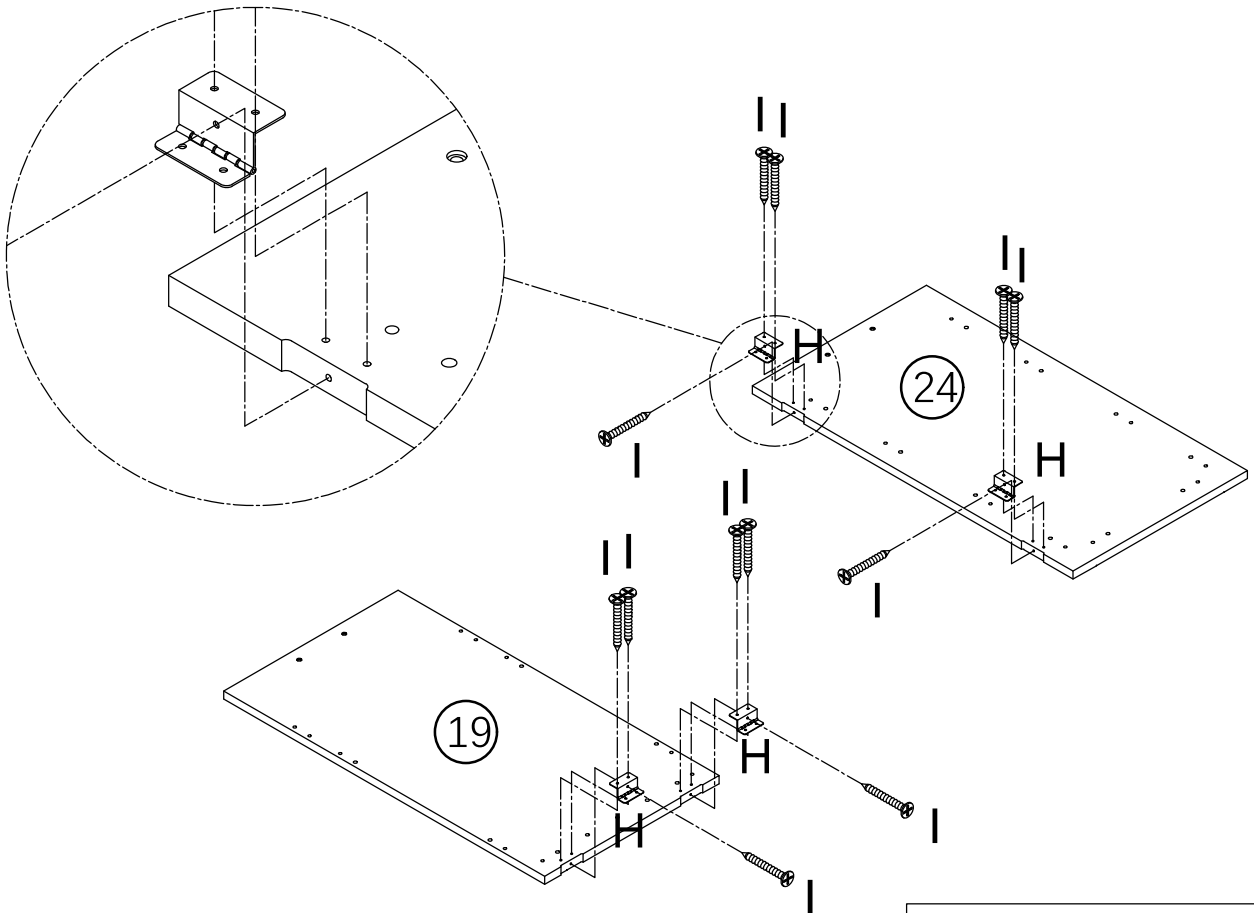


16



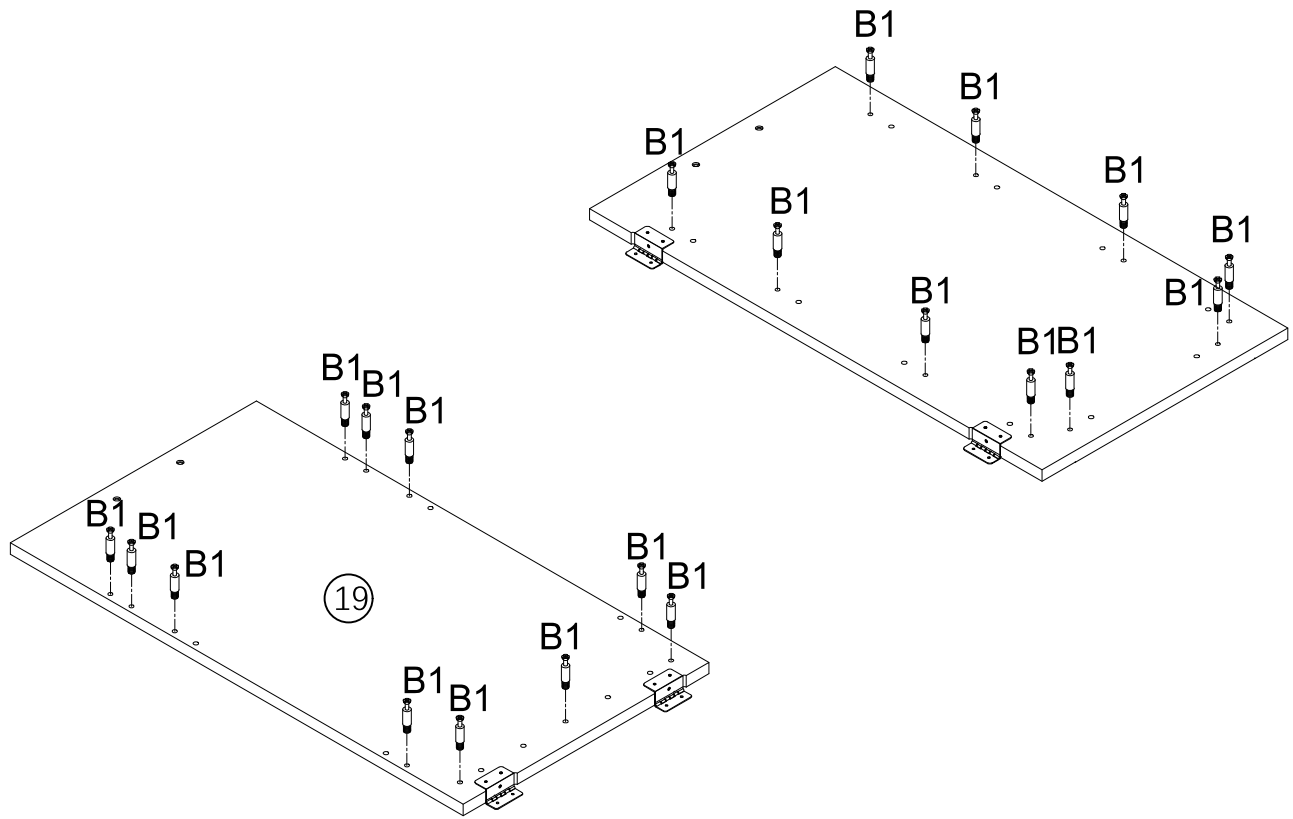
D*18

17



H*4 I*12

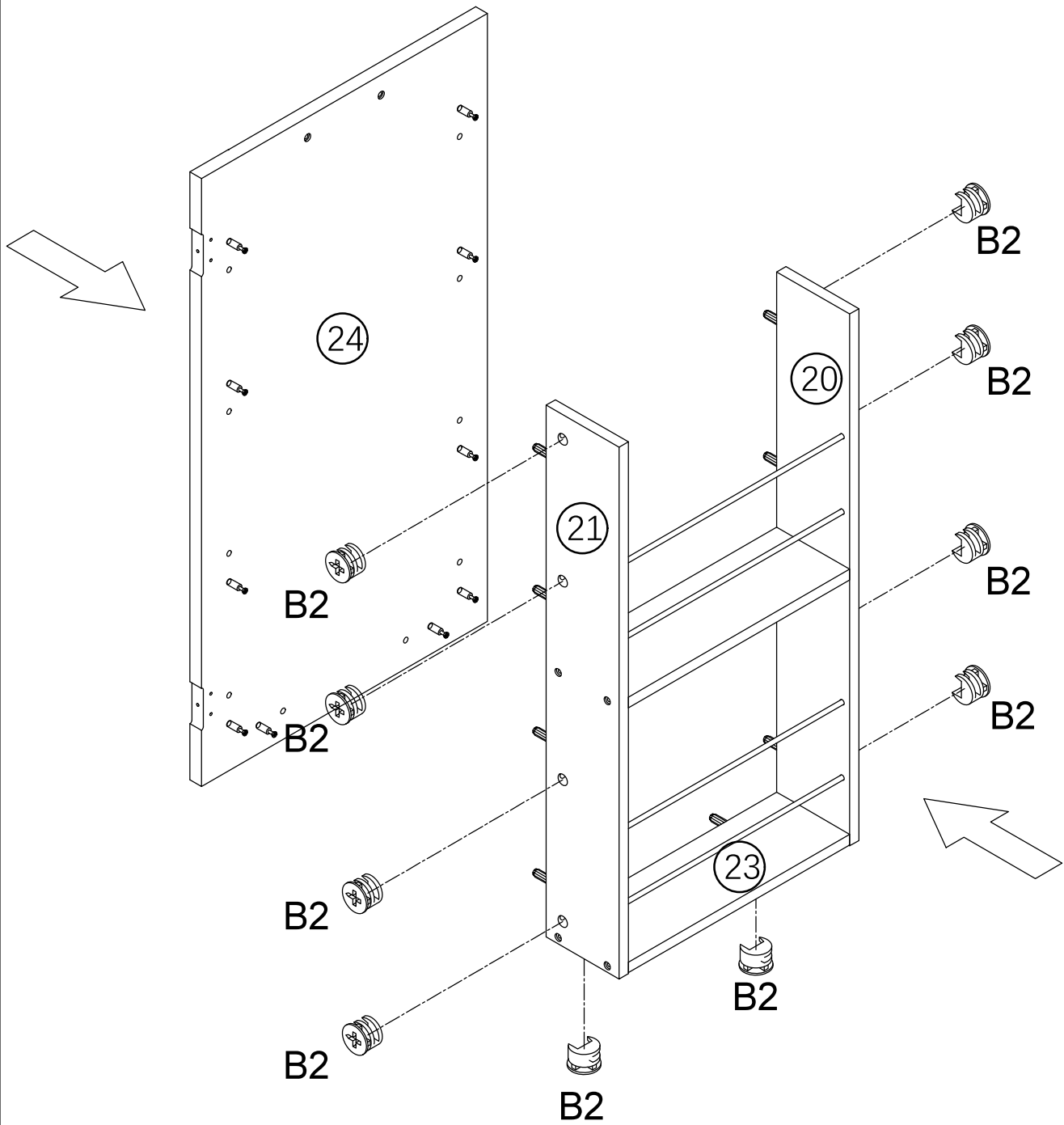
18



Put B1 on (19) (24)

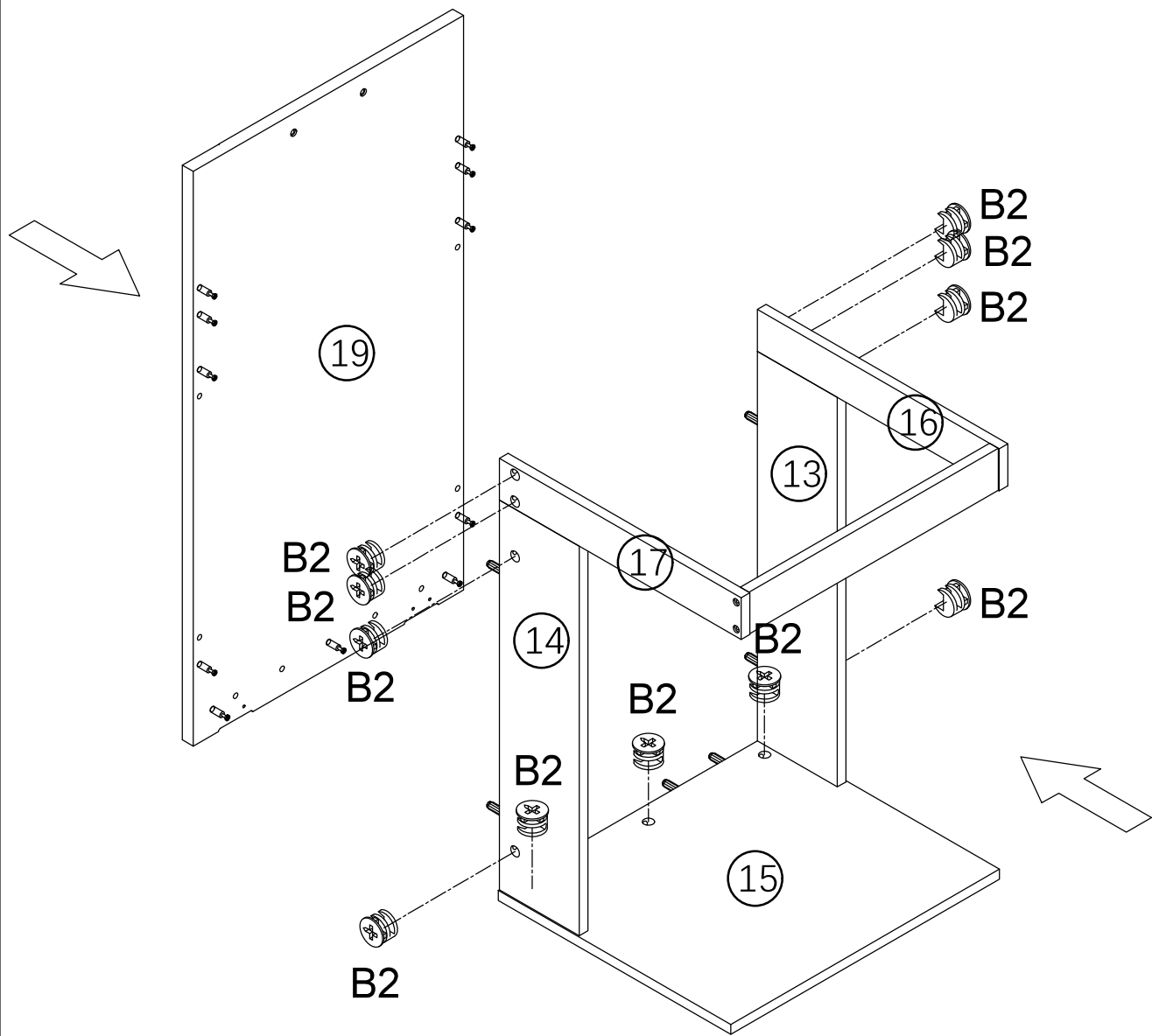
B1*21

19



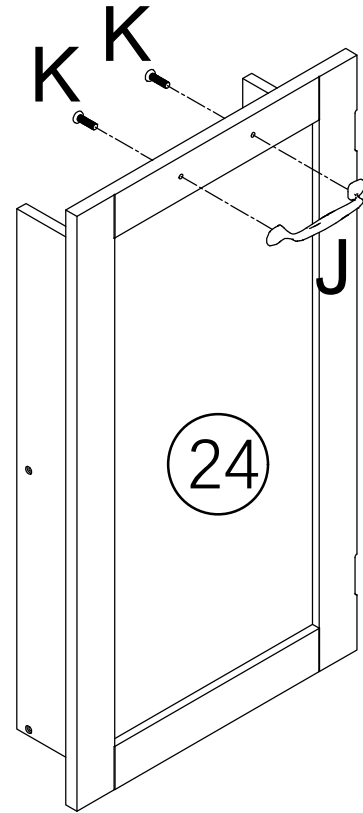
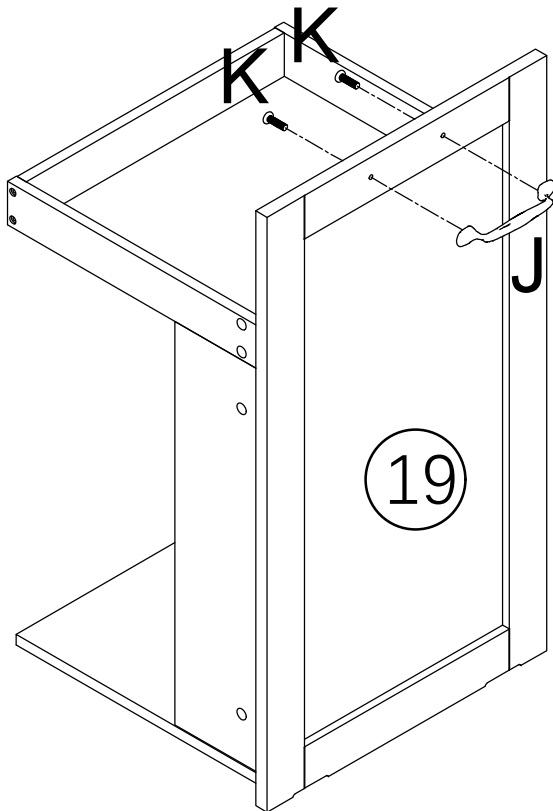
Put B2 on (20)(21)(23)

B2*10



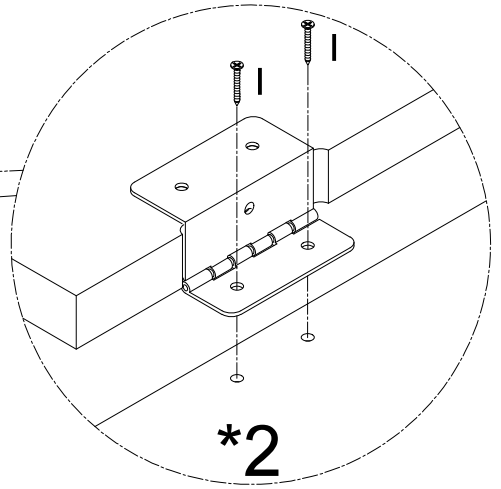
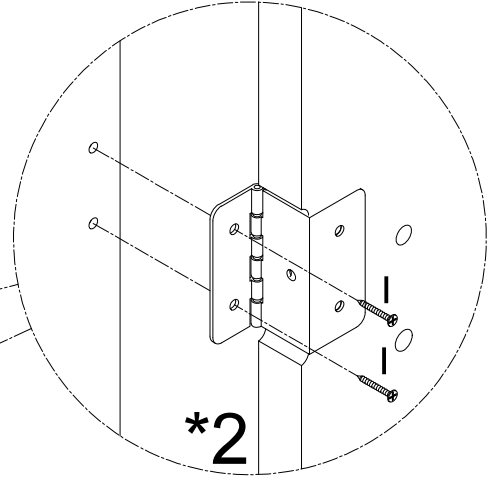
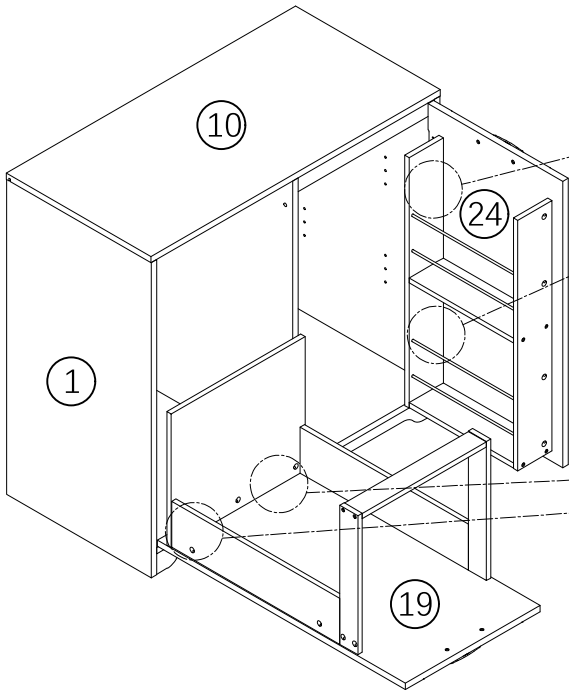
Put B2 on (13)(14)(15)(16)(17)

B2*11



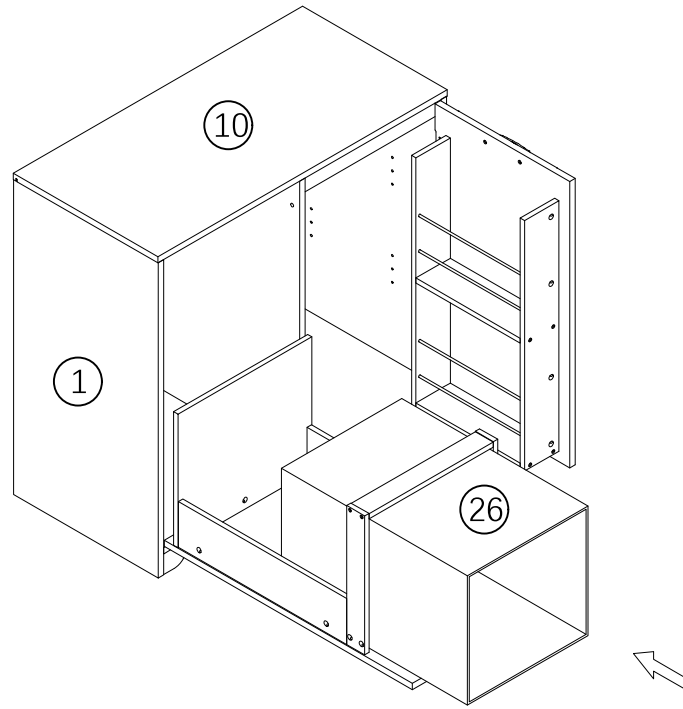
J*2 K*4

22

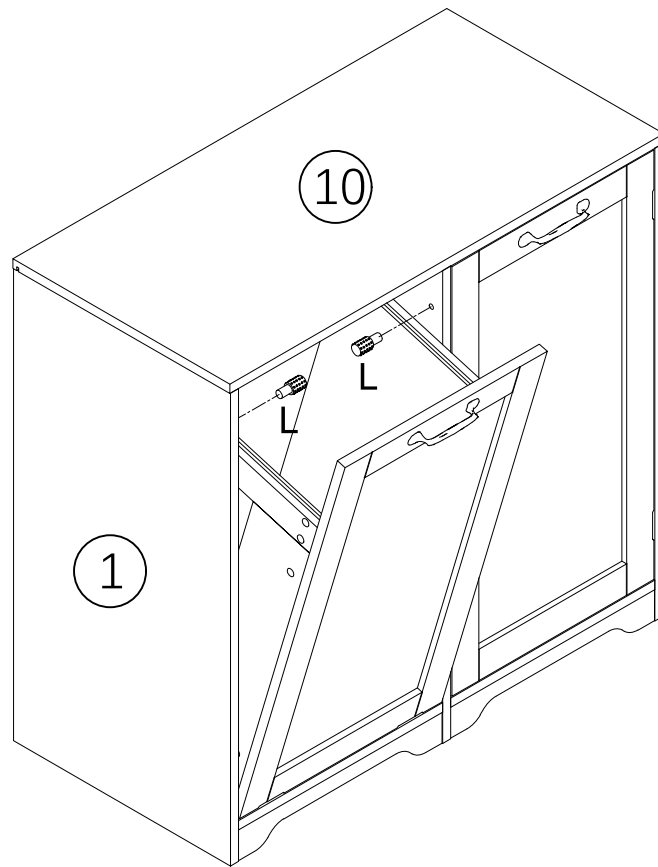


I*8

23

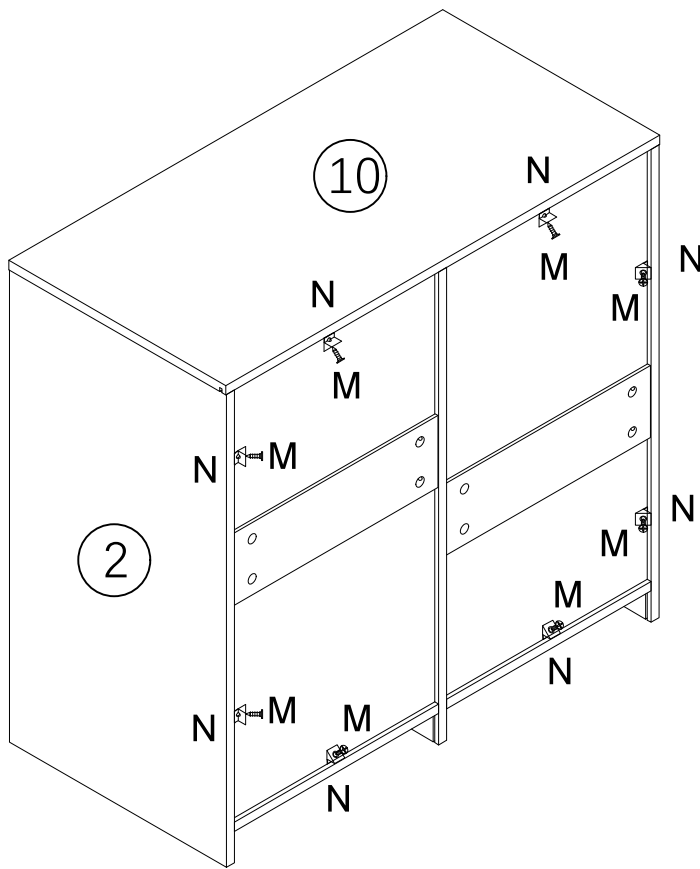


24

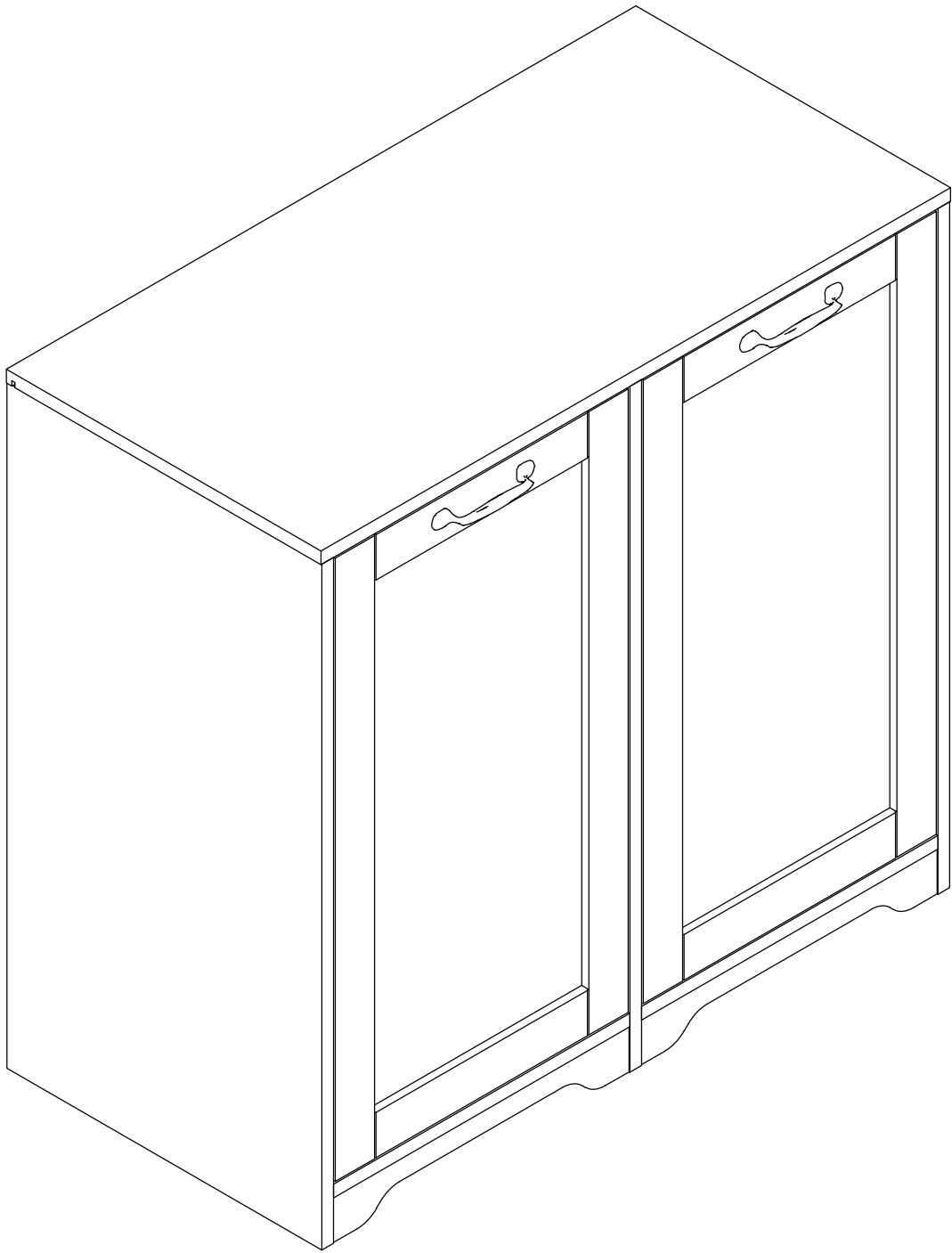


L*2

25



M*8 N*8



End