

# Assembly Instructions

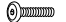

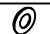

## ROUND COUNTER TABLE

### DAH350CT & DAH550CT & DAH750CT

**Caution:** Please read instructions thoroughly before unpacking assembly parts. Sharp, exposed staple tips can cause injury, therefore, for your protection, please remove any exposed staples used in packing.

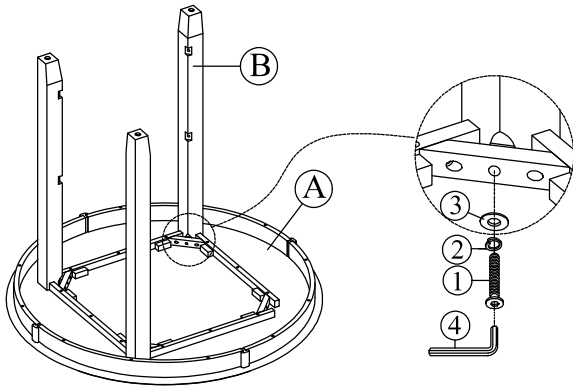
1. We recommend that you should assemble this product with the assistance of another person; this will make assembly easier, and will help to eliminate damage to the product or injury to persons during assembly.
2. Be sure to check all packing materials carefully for small parts that may have come loose inside the carton during shipment.
3. Please do not over tighten screws or bolts.
4. Please put all parts on a non-abrasive floor before assembly, and follow the assembly steps to assemble your newly purchased product correctly and efficiently.

PART LIST FOR ROUND TABLE			
No.	PART DESC	CODE.	Q'TY
A	Counter Table - Top		1
B	Counter Table - Wood Leg	PDAH350CTLEG PDAH550CTLEG PDAH750CTLEG	4
C	Counter Table - Upper Shelf	PDAH350CTSHF1 PDAH550CTSHF1 PDAH750CTSHF1	2

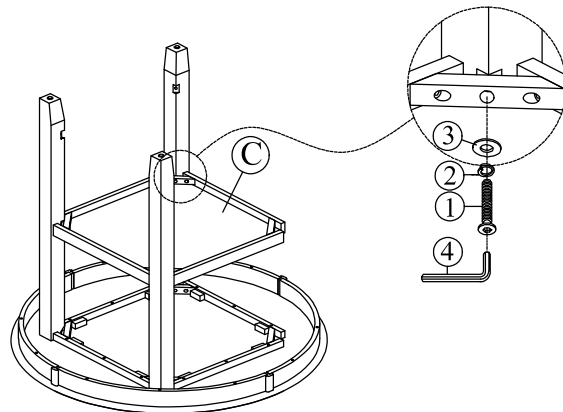
HARDWARE LIST PACKED INSIDE BOX			
No.	HARDWARE DESC	CODE.	Q'TY
1	 ALLEN BOLT (Ø5/16**2-3/8")	PDAH350CTHW PDAH550CTHW PDAH750CTHW	12
2	 SPRING WASHER (Ø5/16")		12
3	 FLAT WASHER (Ø5/16")		12
4	 ALLEN KEY (Ø1/8")		1

**⚠** Only tighten all bolts when all bolts aligned with bolt inserts.

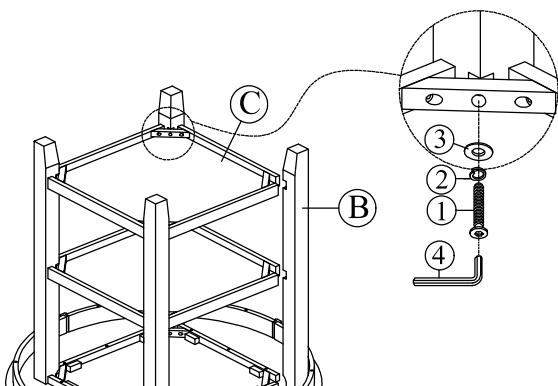
#### STEP:1



#### STEP:2



#### STEP:3



#### COMPLETED

