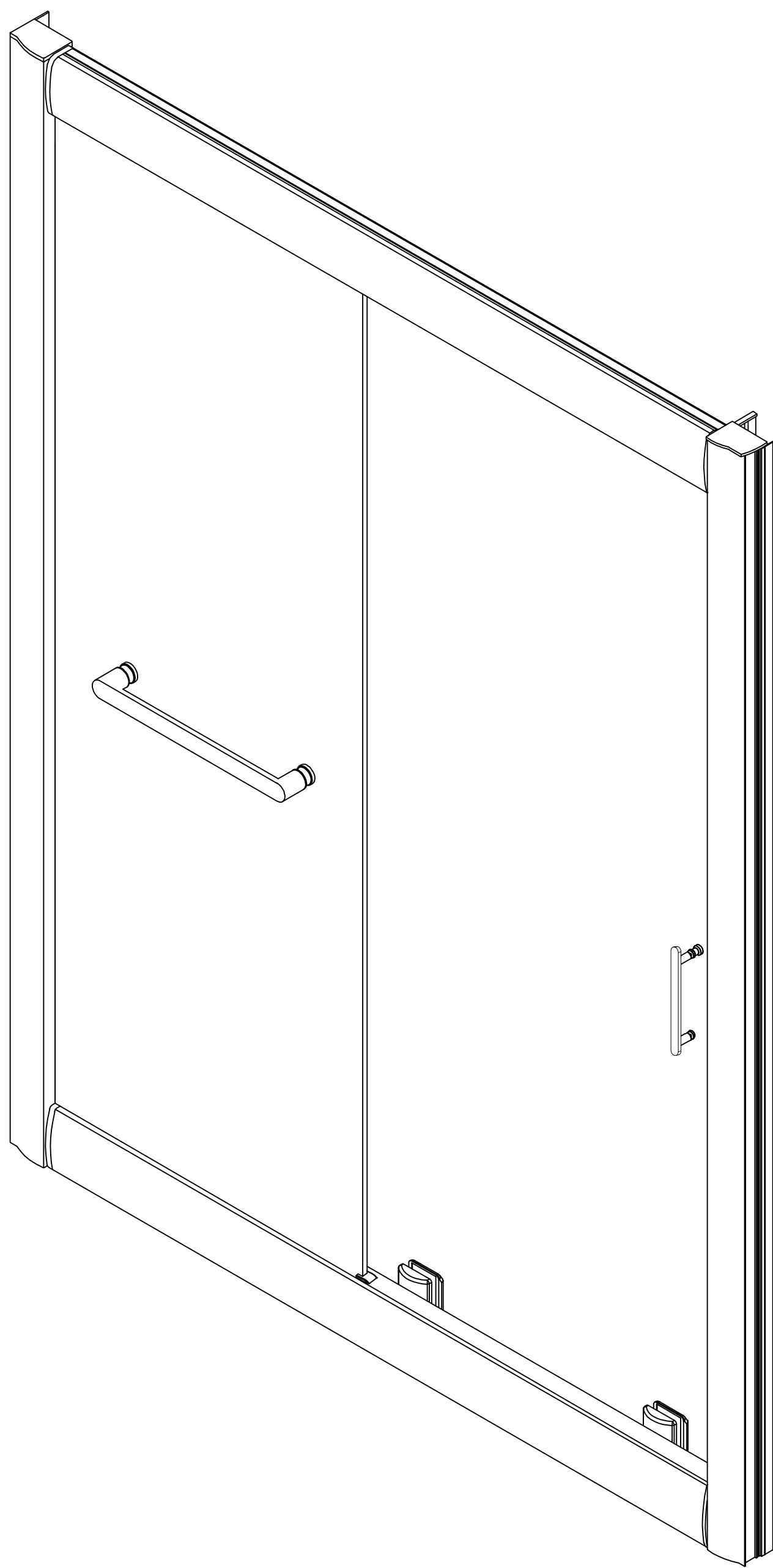
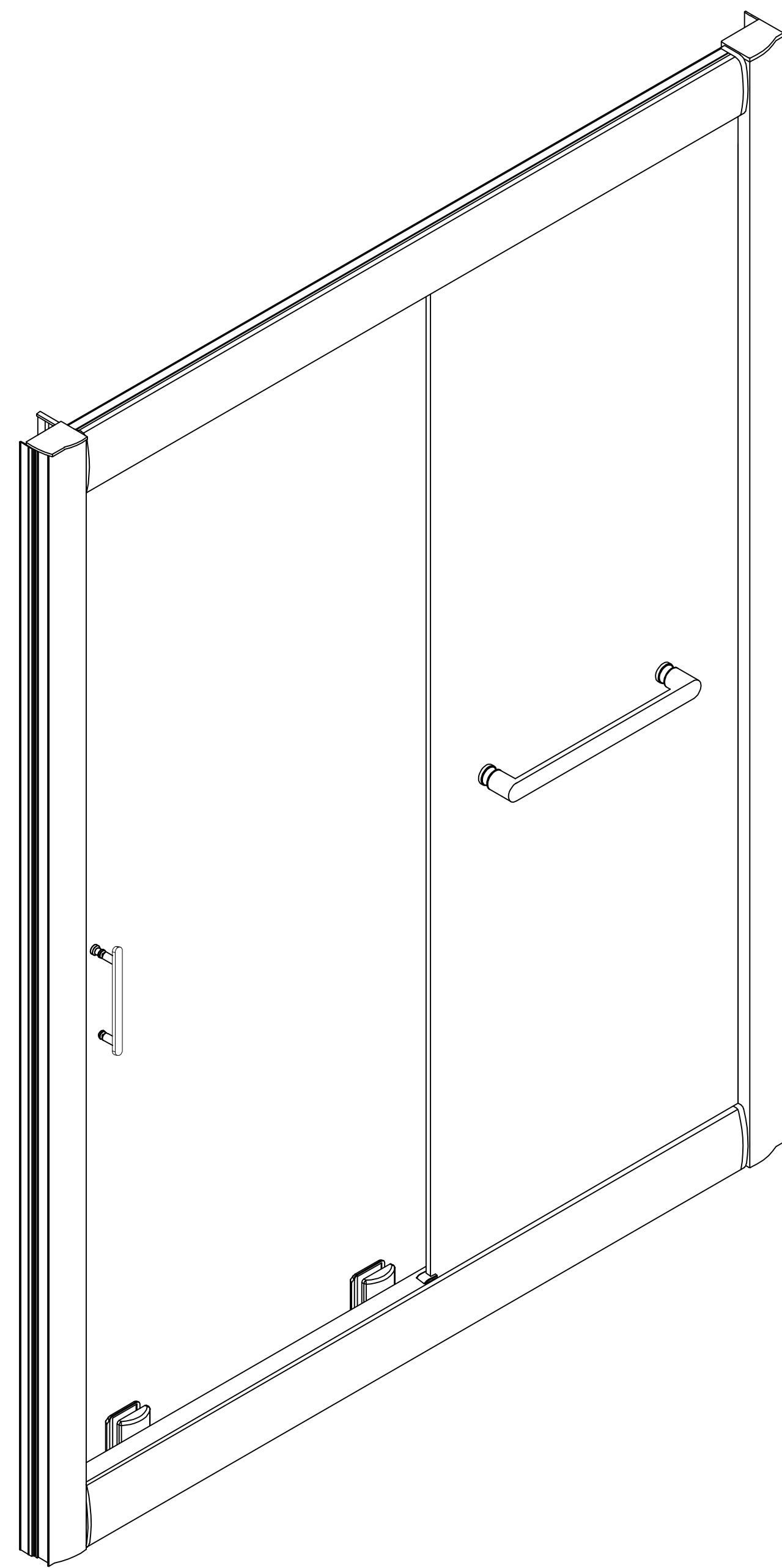


shower door

AAO2
Shower Door Instruction Guide



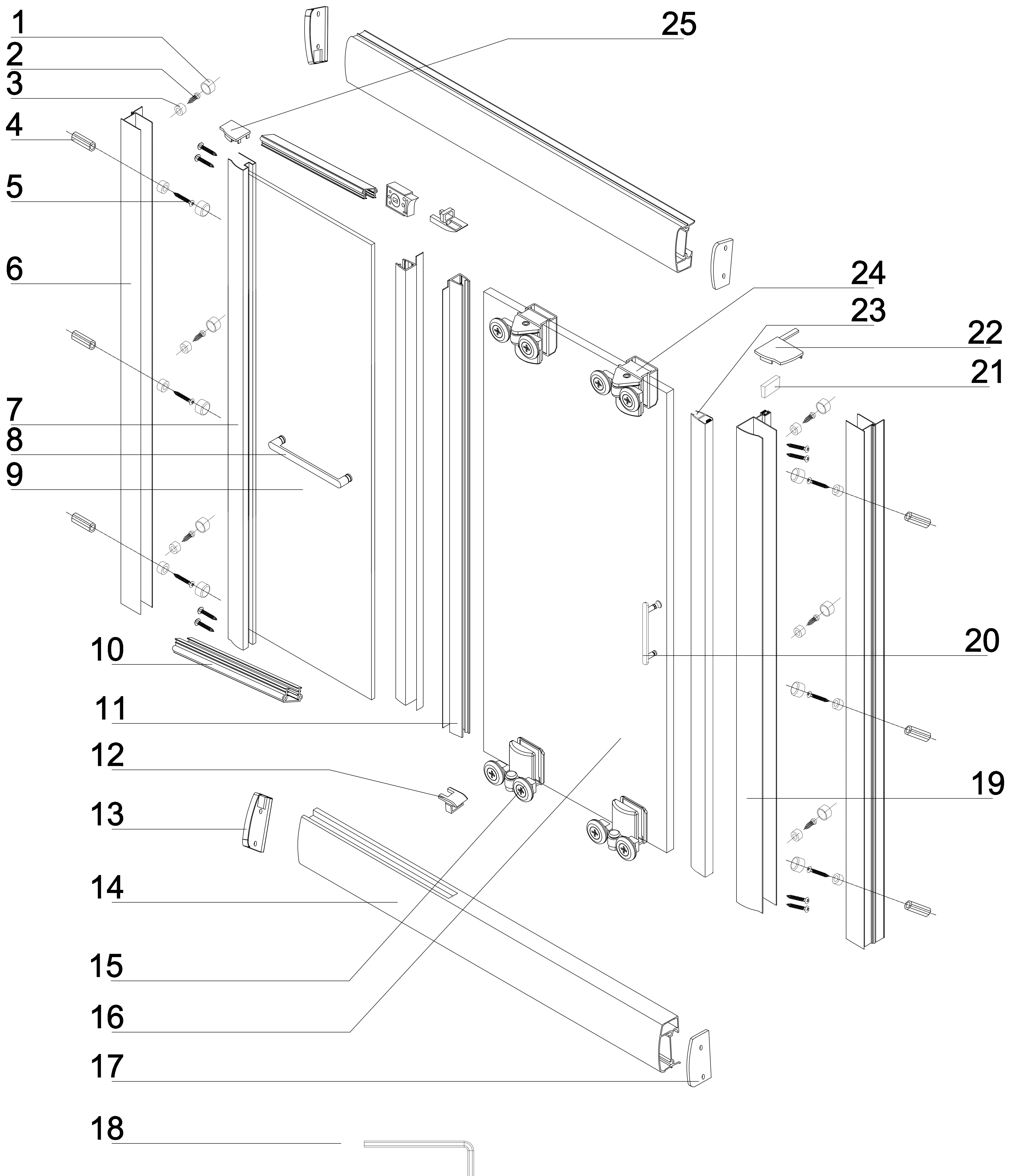
Left Hand Install



Right Hand Install

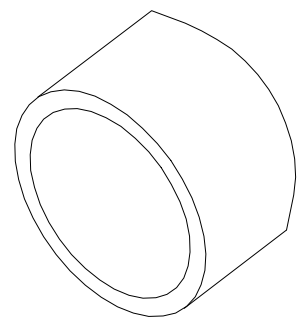
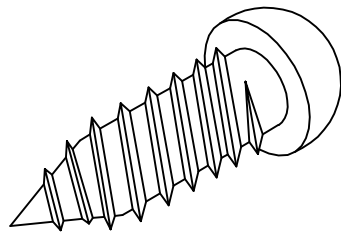
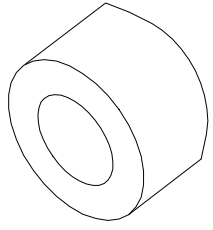
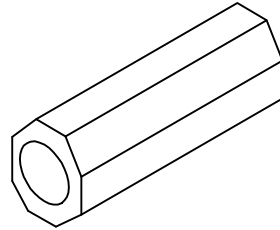
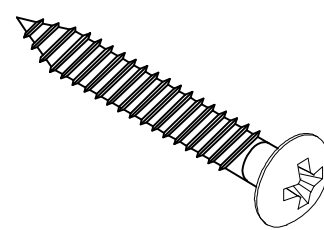
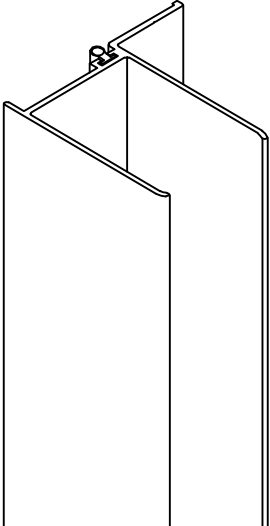
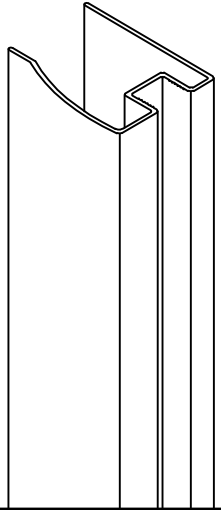
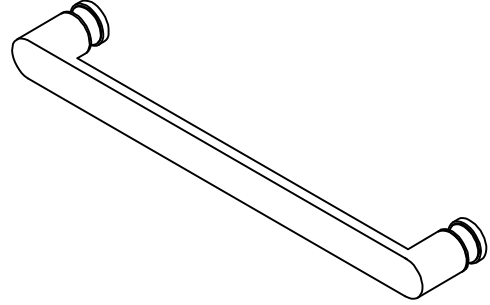
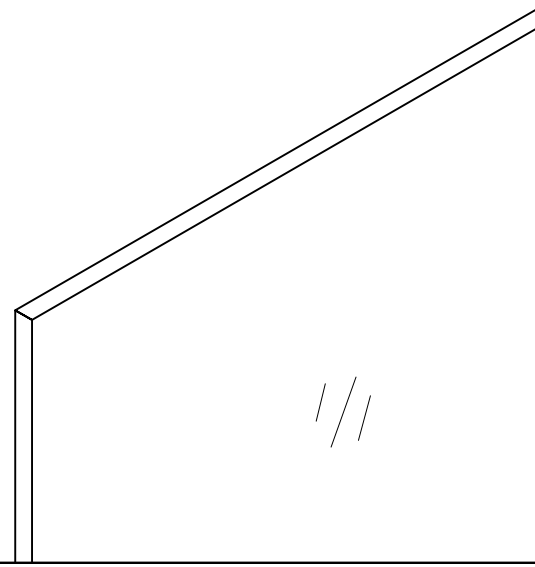
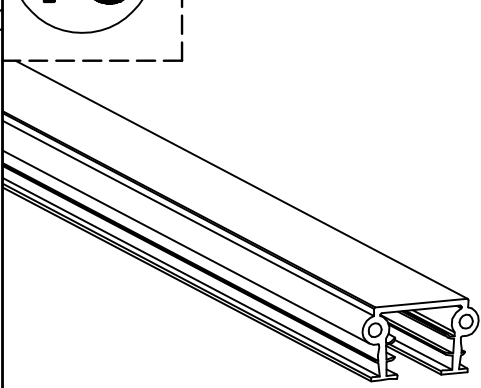
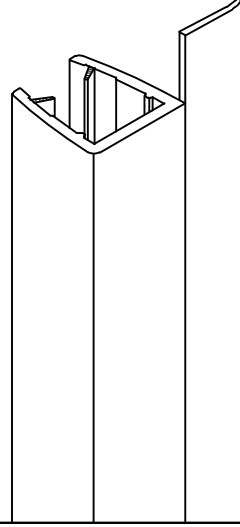
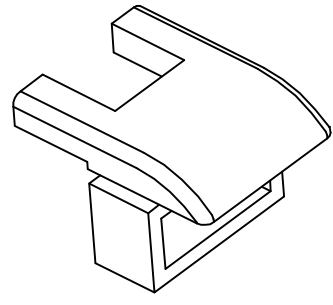
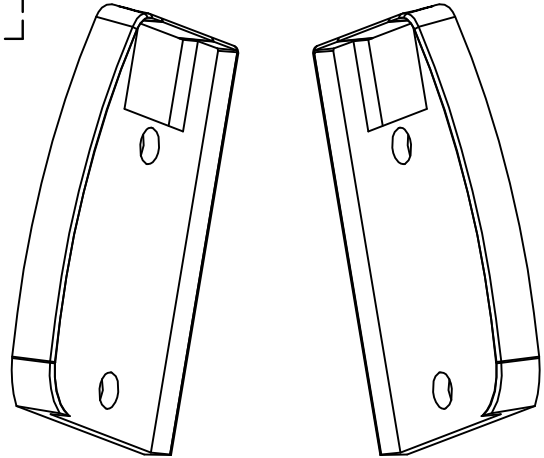
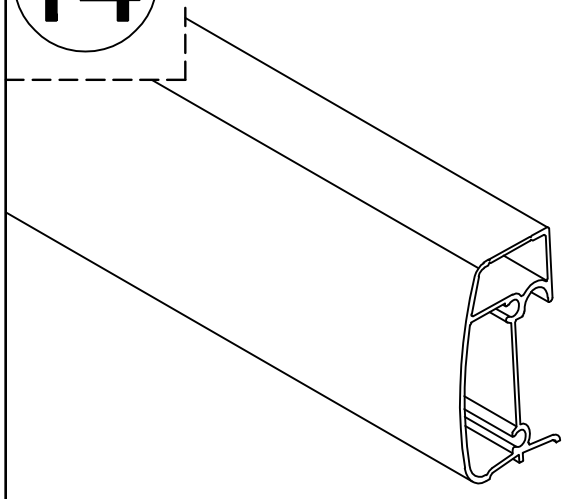
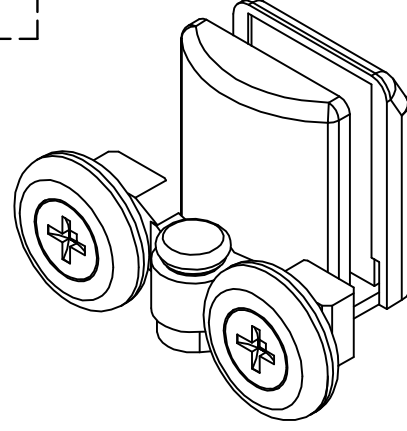
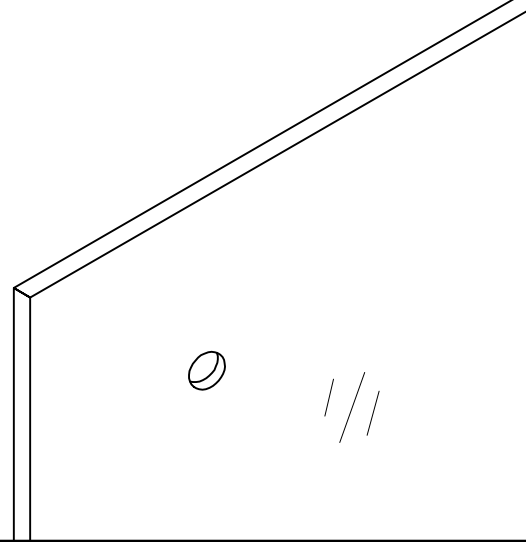
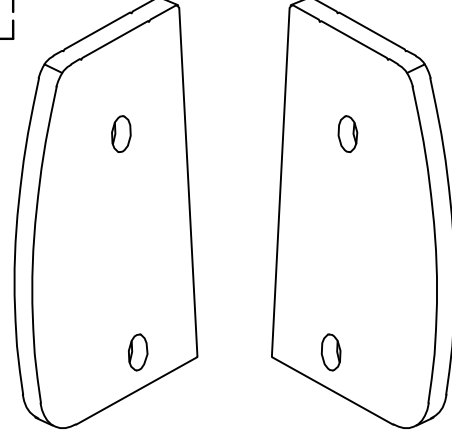

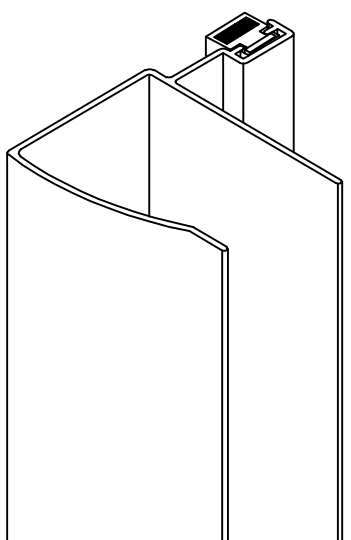
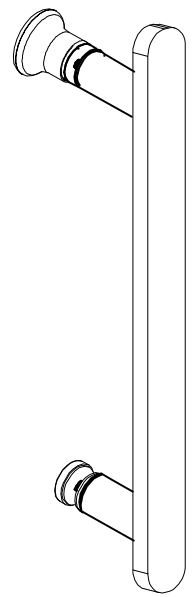
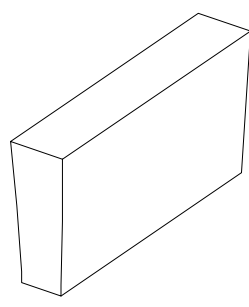
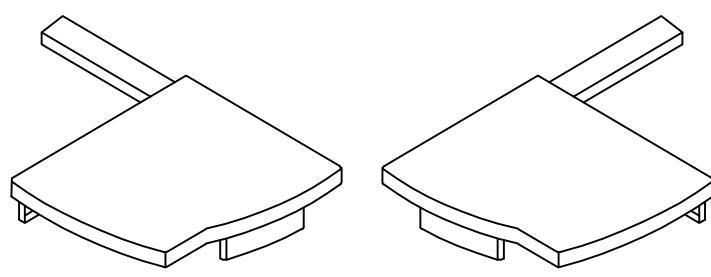
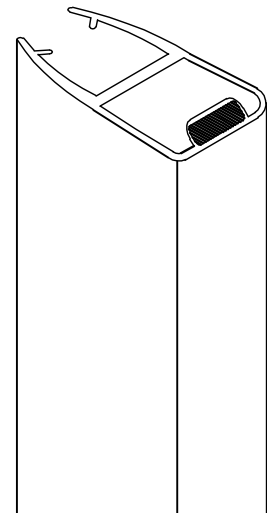
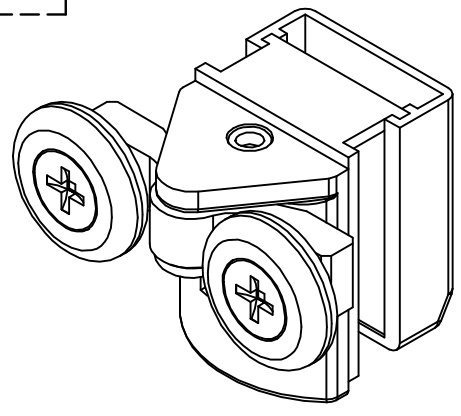
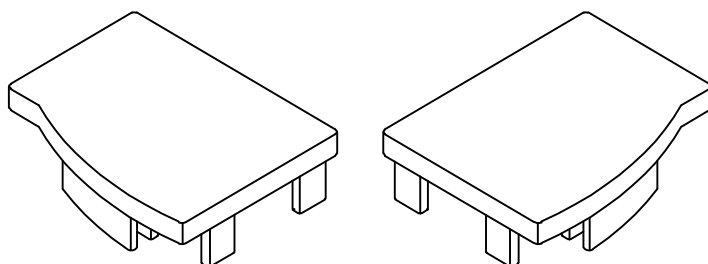
Customer Support: 1-877-897-1222
After-sale service: felyl@outlook.com
Hours of Operation: M-F 9 AM-5:00PM

Detailed Diagram

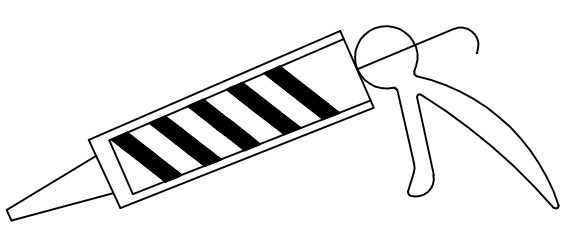
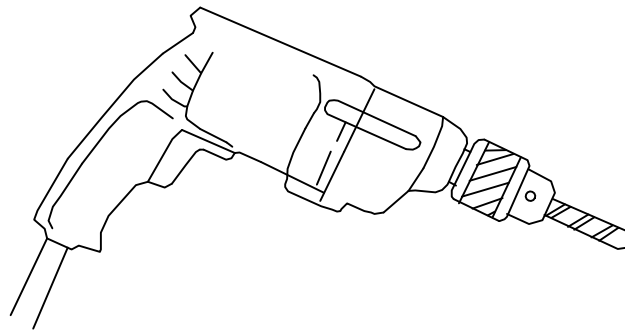
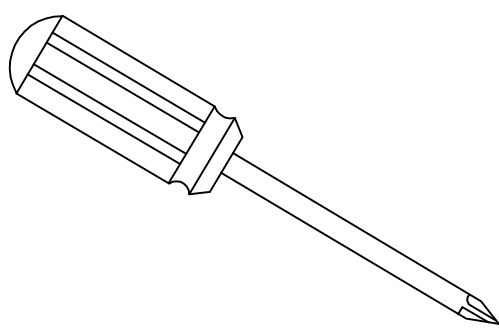
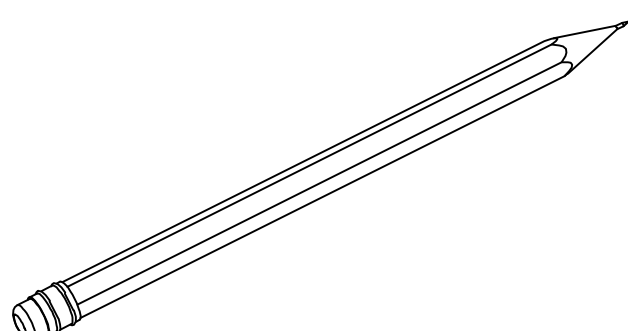
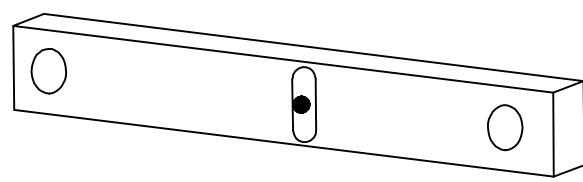
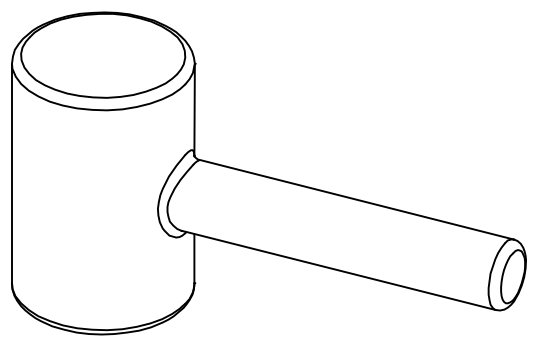
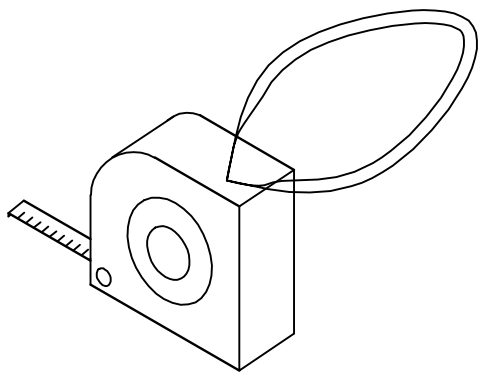
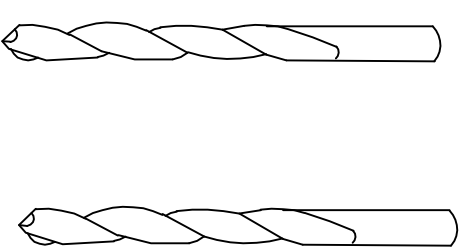
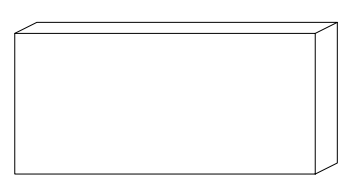
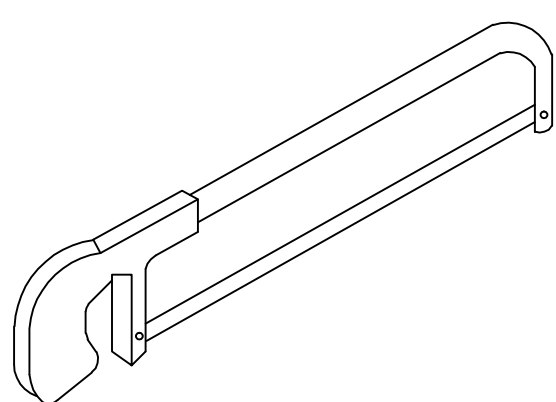




PART LIST

Check all parts according to the list before assembly . Feel free to contact with us if you need assistance .

					
Screw cap(12PCS)	Self-tapping screw 4*12(6PCS)	Washer(12PCS)	Wall anchor 6*28(6PCS)	Self-tapping screw 4*30(14PCS)	Wall-mounted bracket(2PCS)
					
Wall bracket(1PC)	Towel bar(1PC)	Fixed panel(1PC)	Shower door seal strip(2PCS)	Water retaining strip(2PCS)	Fixed panel piece(2PCS)
					 2.5mm
(Left / Right) Side track cap(2PCS)	Shower door track(2PCS)	Bottom roller assembly(2PCS)	Movable door(1PC)	(Left / Right) Side track cap(2PCS)	Allen wrench(1PC)
					
Wide wall bracket(1PC)	Handle(1PC)	Insert piece(1PC)	(Left / Right) Cover for wide wall bracket (2PCS)	Magnetic strip(1PC)	Top roller assembly(2PCS)
					
(Left / Right) Wall bracket cover(2PCS)					

Recommended Tools

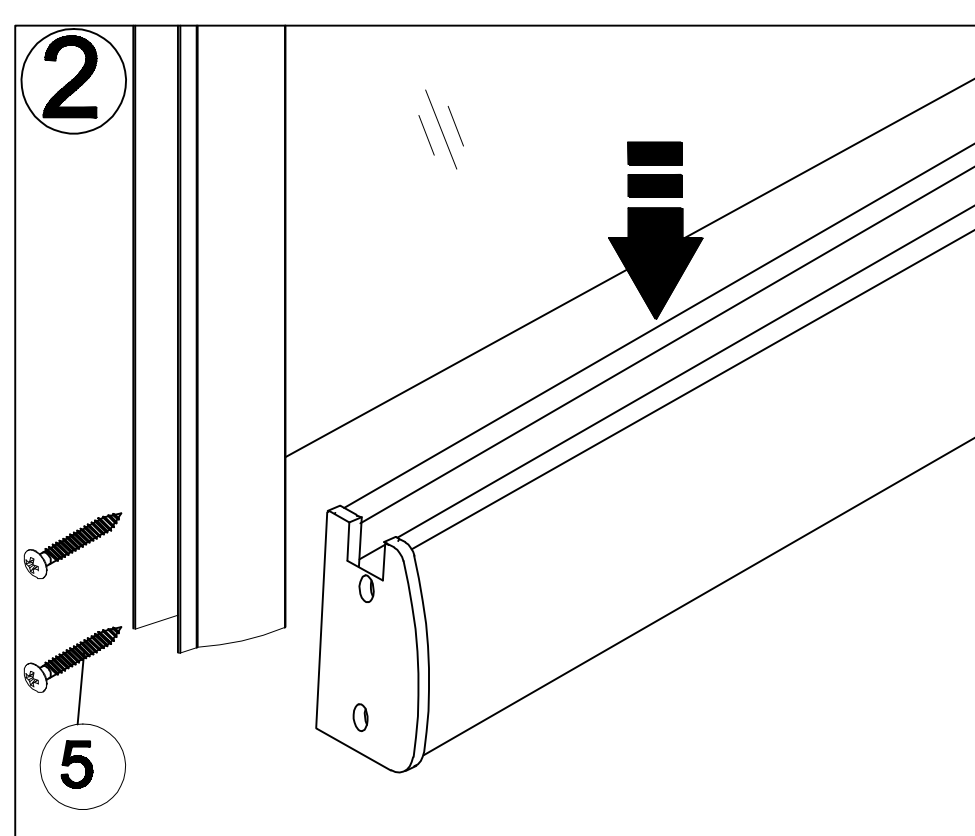
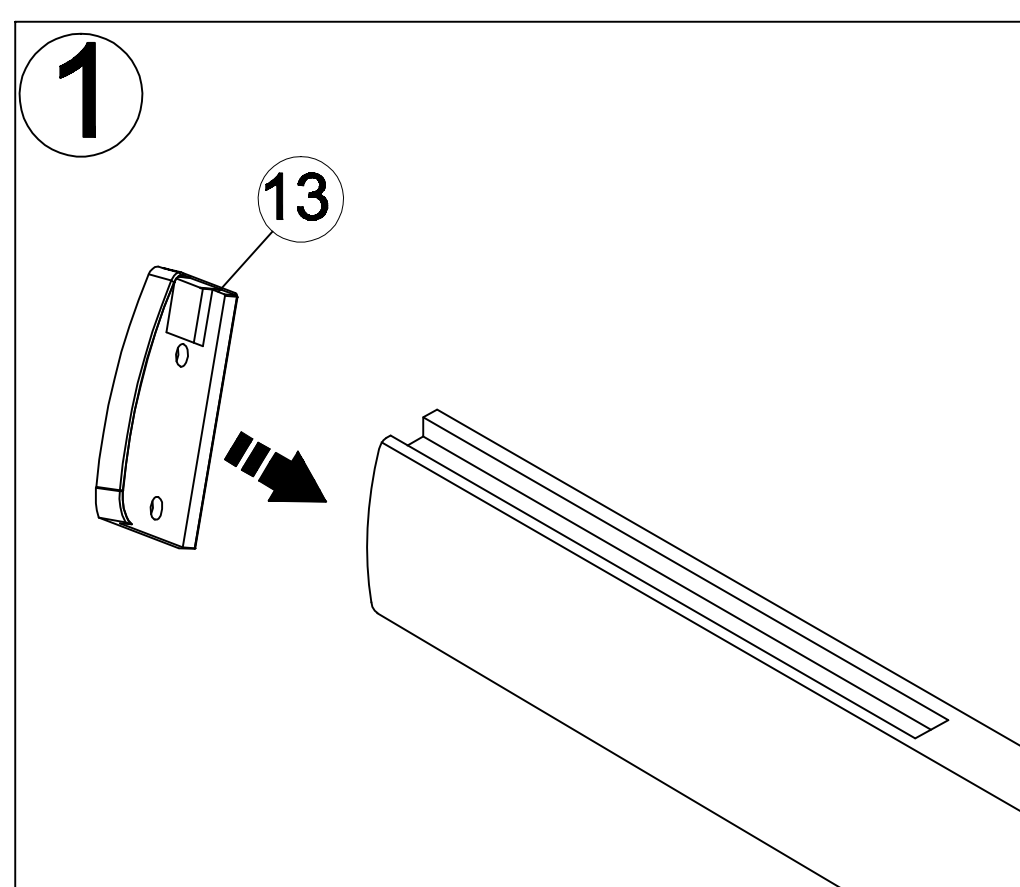
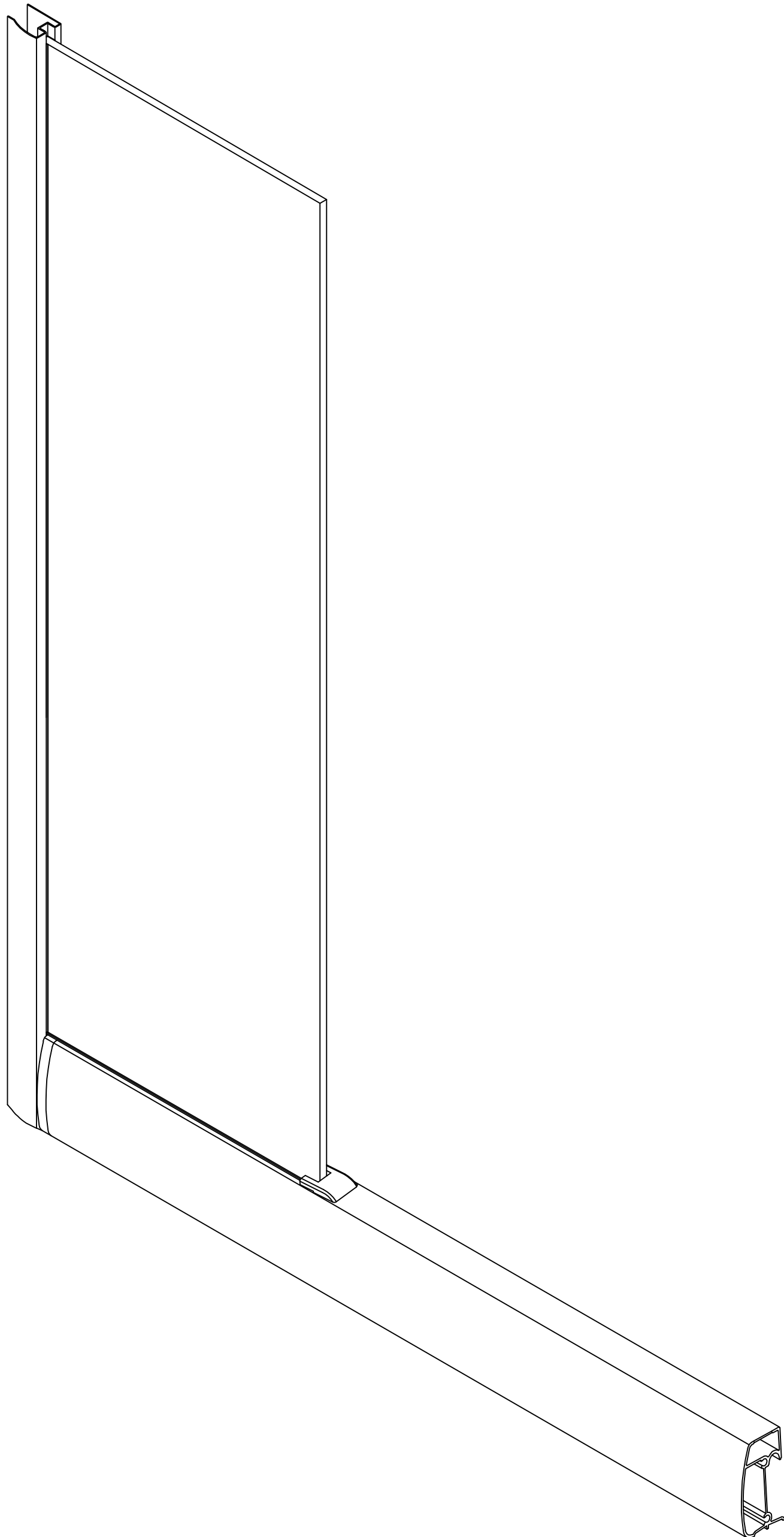
					
Silicone	Drill	Philips Screw Driver	Pencil	Level	Rubber Mallet
					
Tape Measure	Ø1/4"&1/8"Drill Bit	Wooden Jam	Hacksaw	Safety Glass	Safety Gloves

Utilize Safety Glasses and Safety Gloves when constructing this shower door

Left Hand Assembly

STEP 1

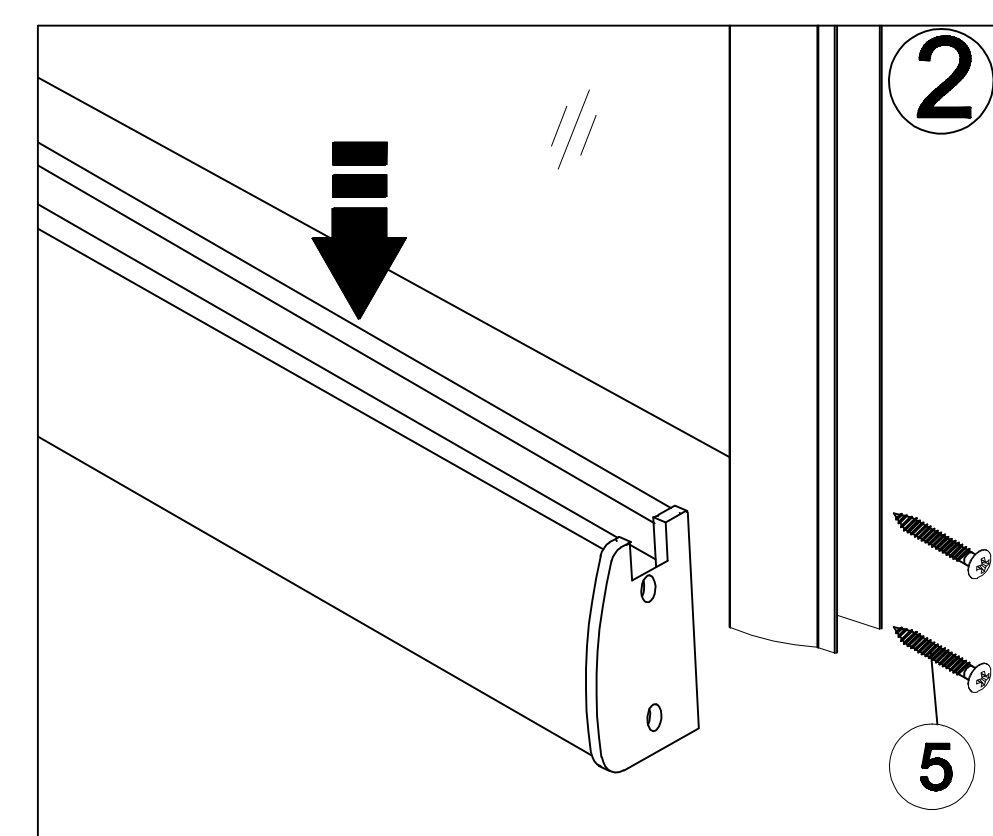
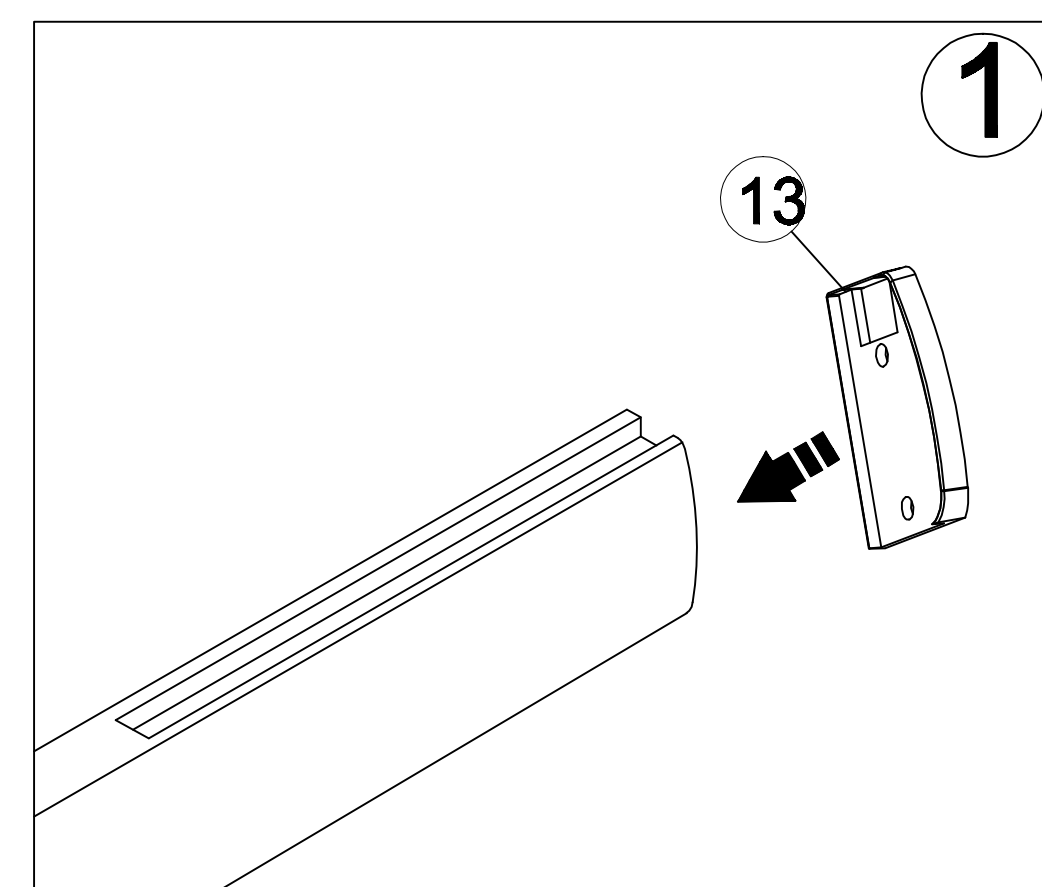
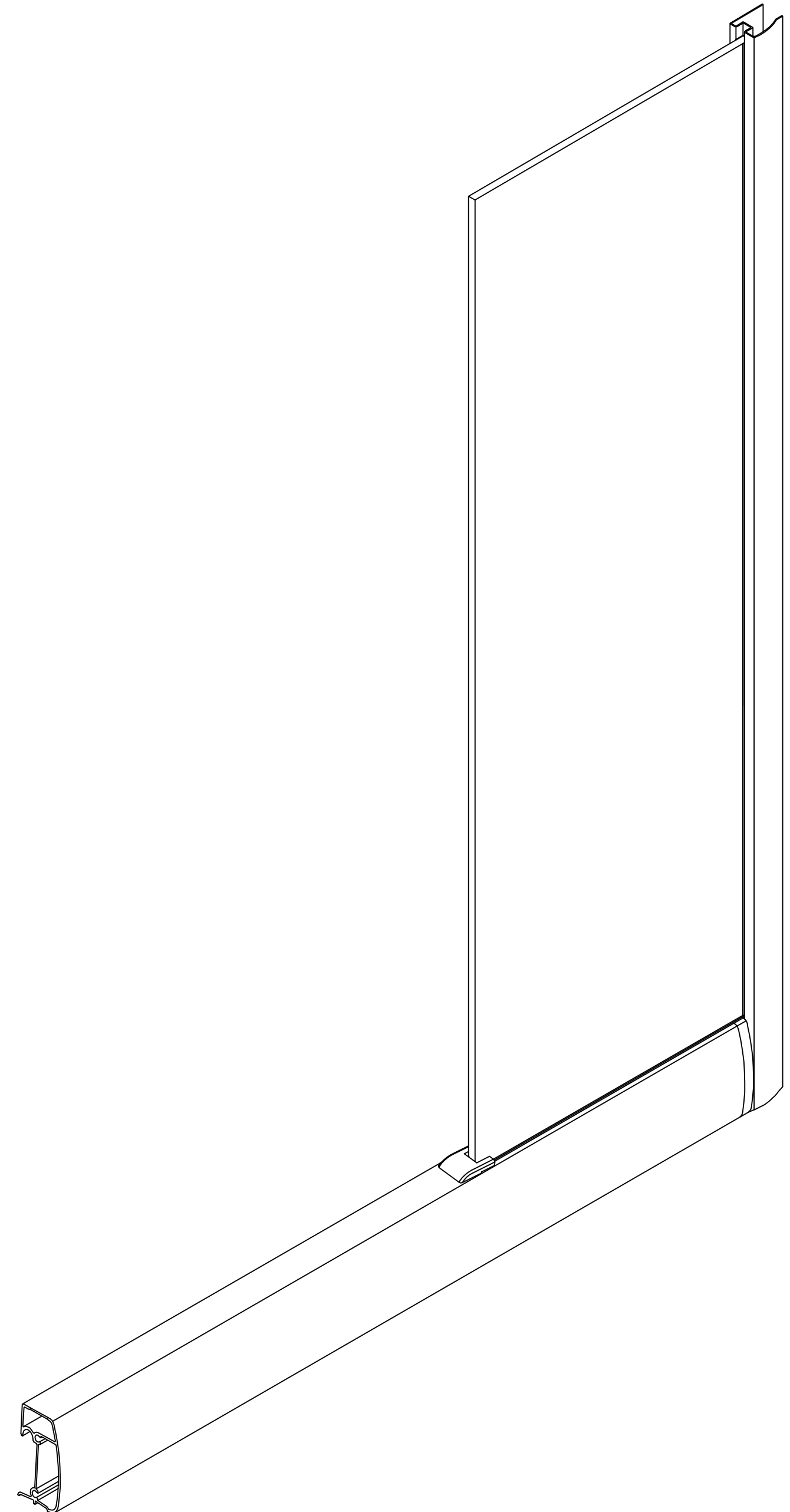
1. Assemble left-side track cap(13) to shower door track(14).
2. Assemble wall bracket(7) to fixed panel(9) and insert fixed panel to shower door track(14), secure wall bracket(7) tight to shower door track(14) with self-tapping screw 4*30(5).



Right Hand Assembly

STEP 1

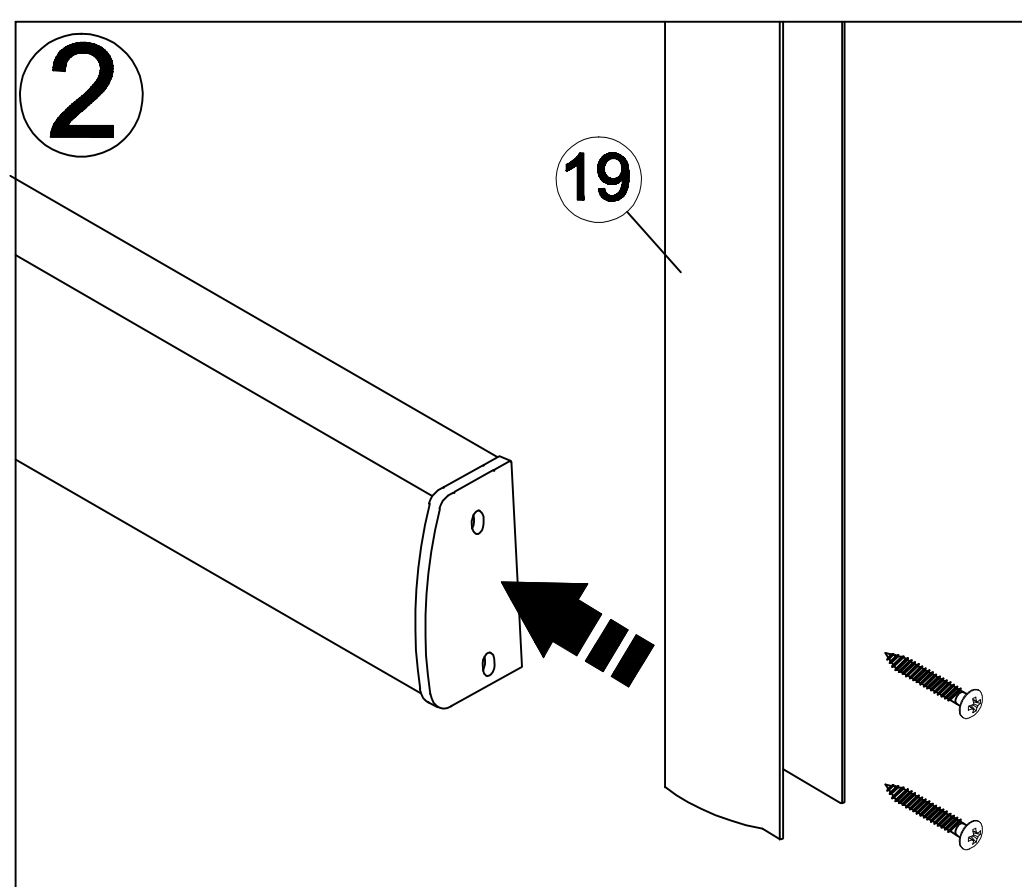
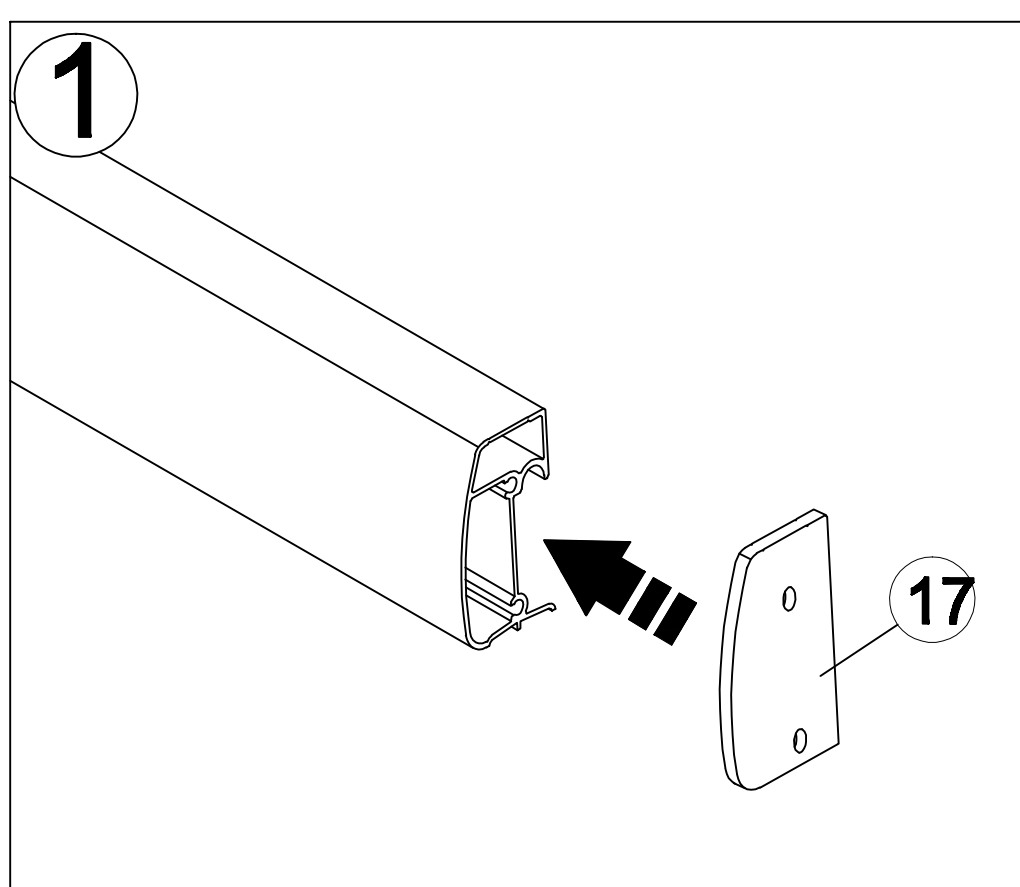
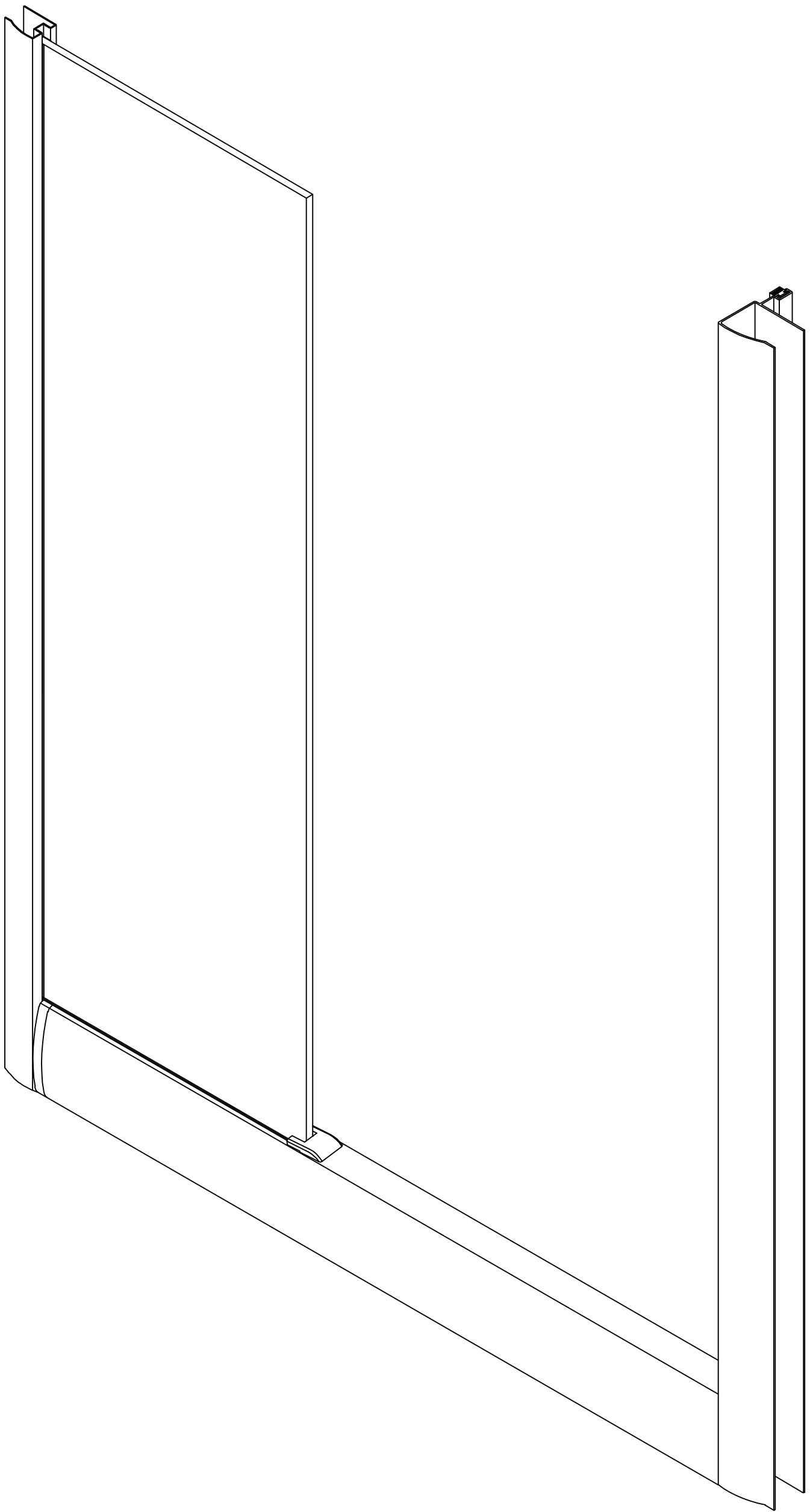
1. Assemble right-side track cap(13) to shower door track(14).
2. Assemble wall bracket(7) to fixed panel(9) and insert fixed panel to shower door track(14), secure wall bracket(7) tight to shower door track(14) with self-tapping screw 4*30(5).



Left Hand Assembly

STEP 2

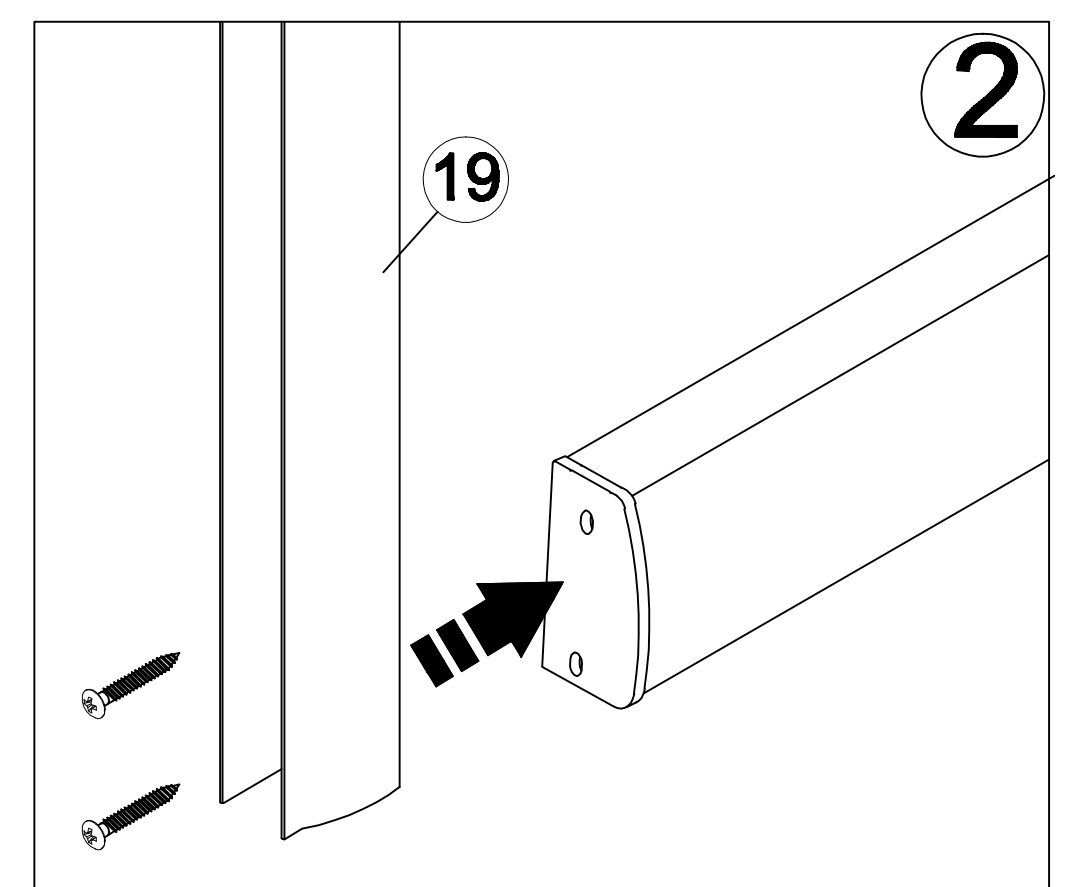
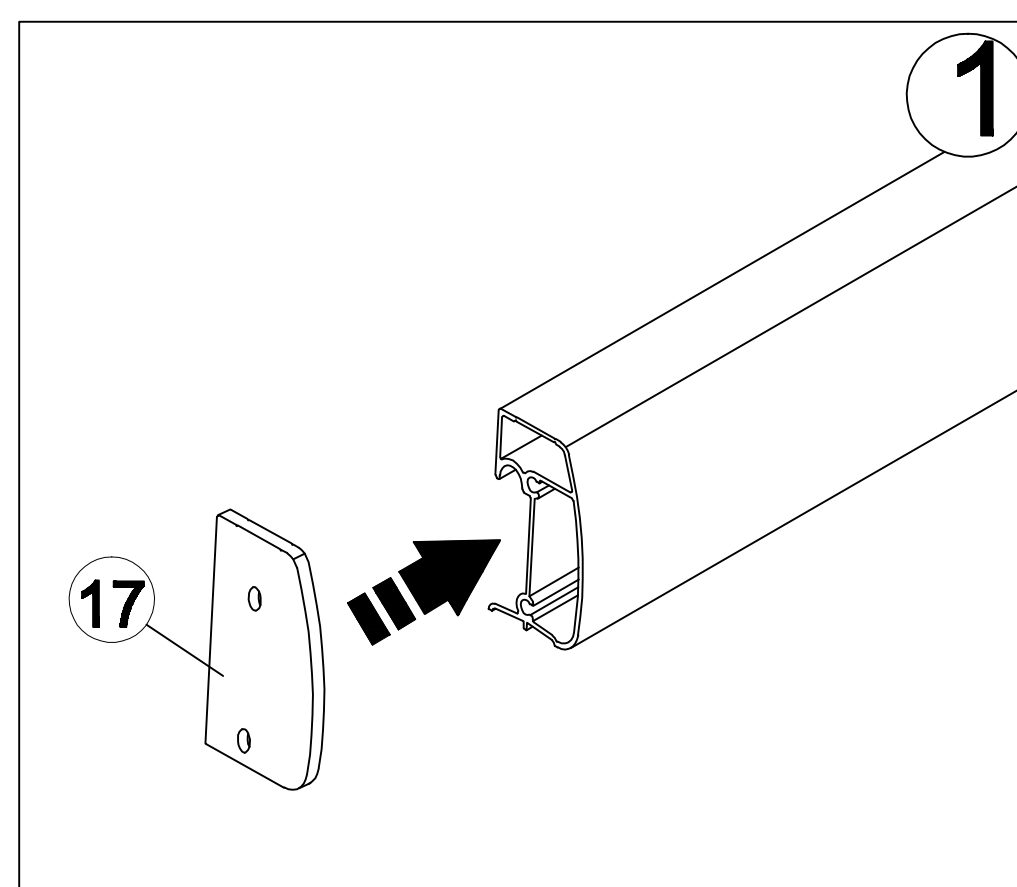
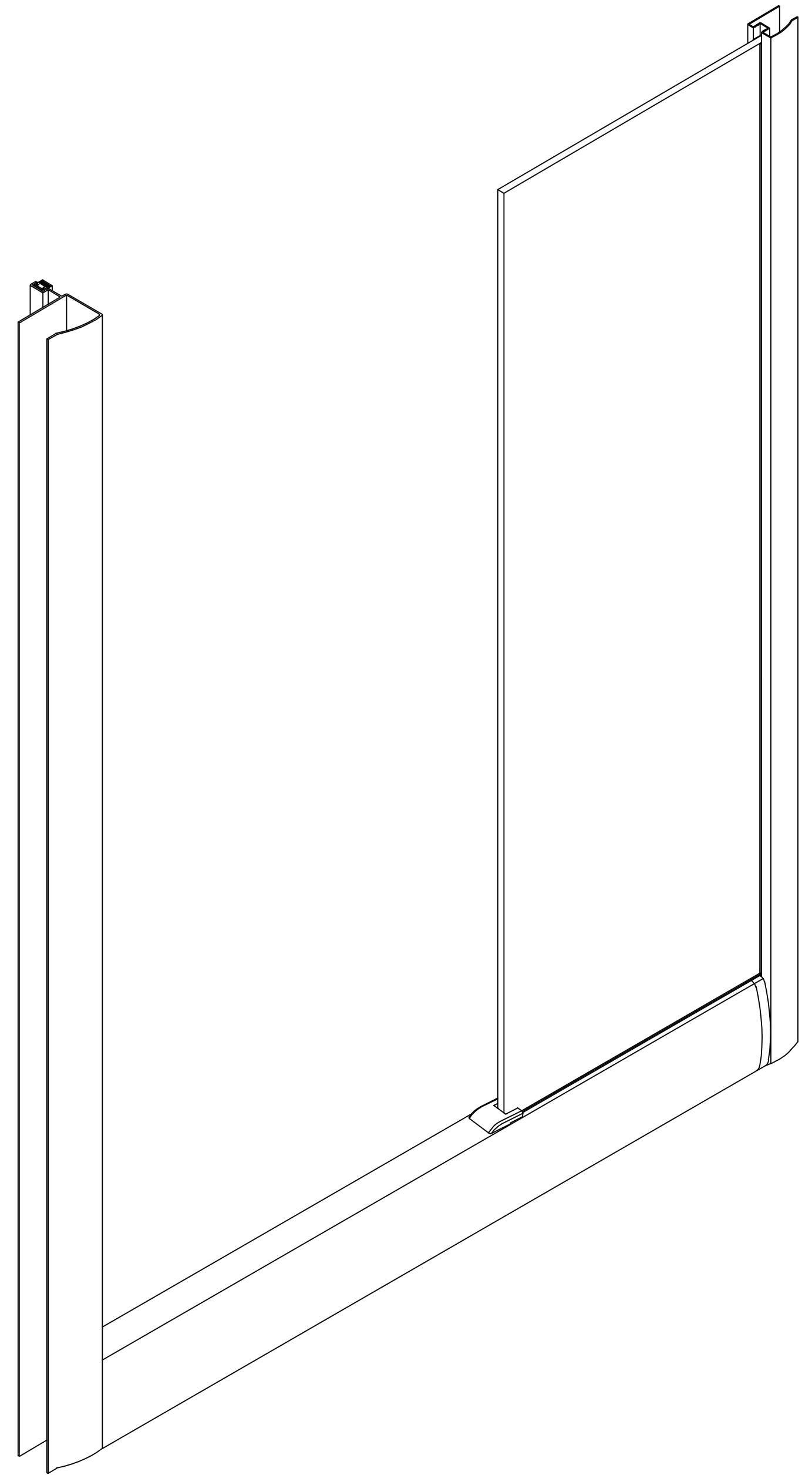
1. Assemble right-side track cap(17) to shower door track(14).
2. Secure wide wall bracket(19) to shower door track(14) with self-tapping screws 4*30(5).



Right Hand Assembly

STEP 2

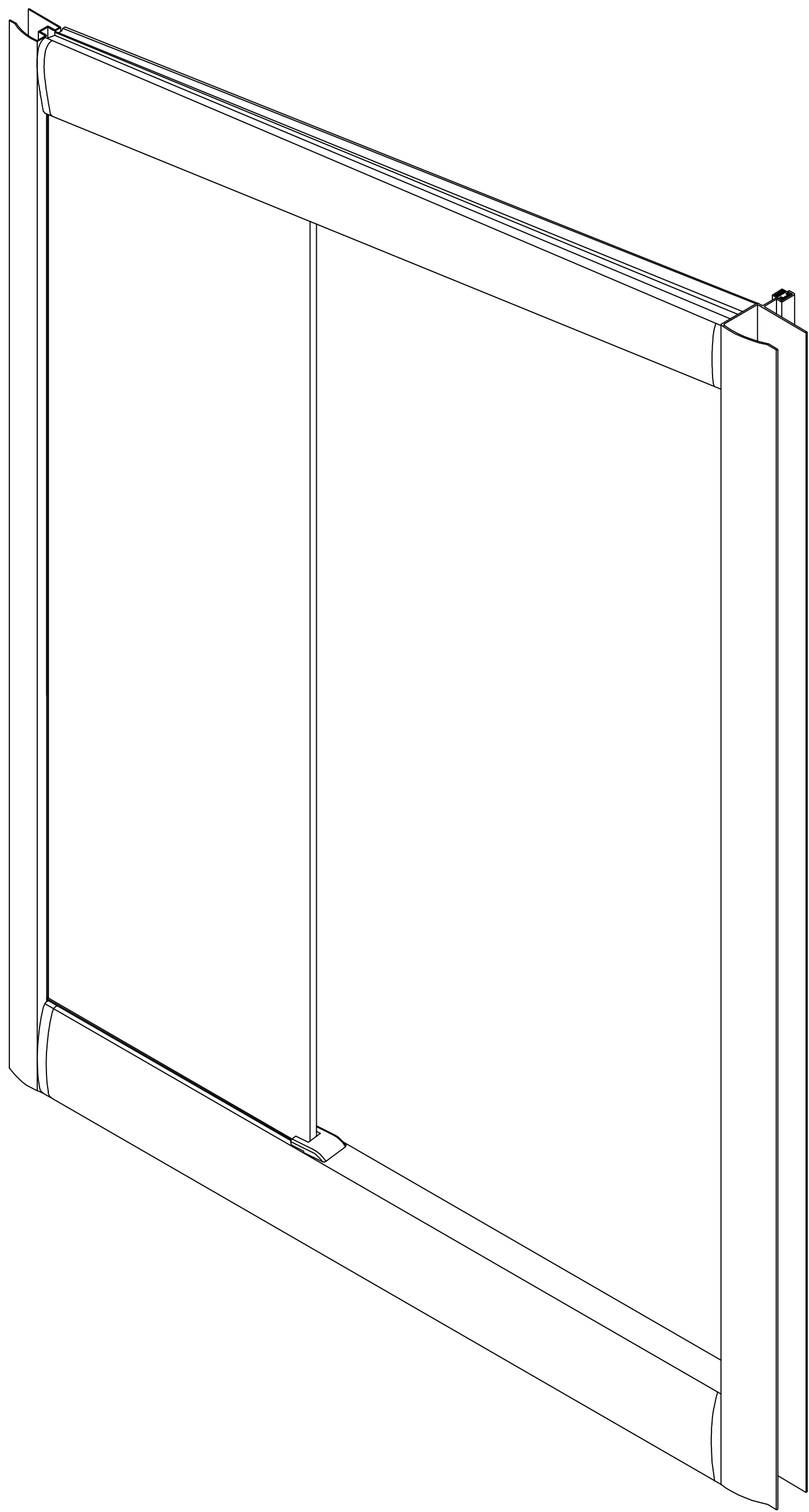
1. Assemble left-side track cap(17) to shower door track(14).
2. Secure wide wall bracket(19) to shower door track(14) with self-tapping screws 4*30(5).



Left Hand Assembly

STEP 3

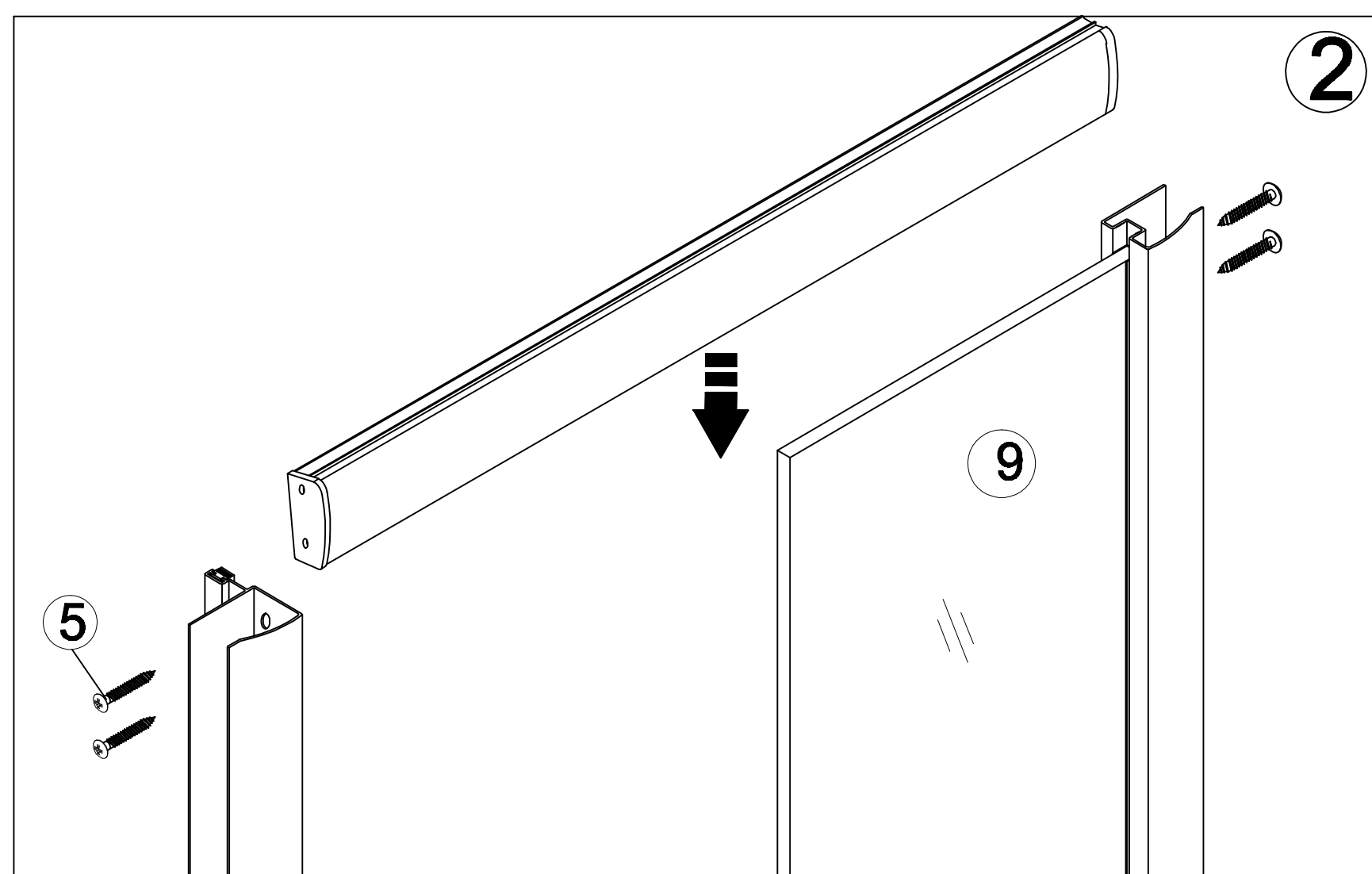
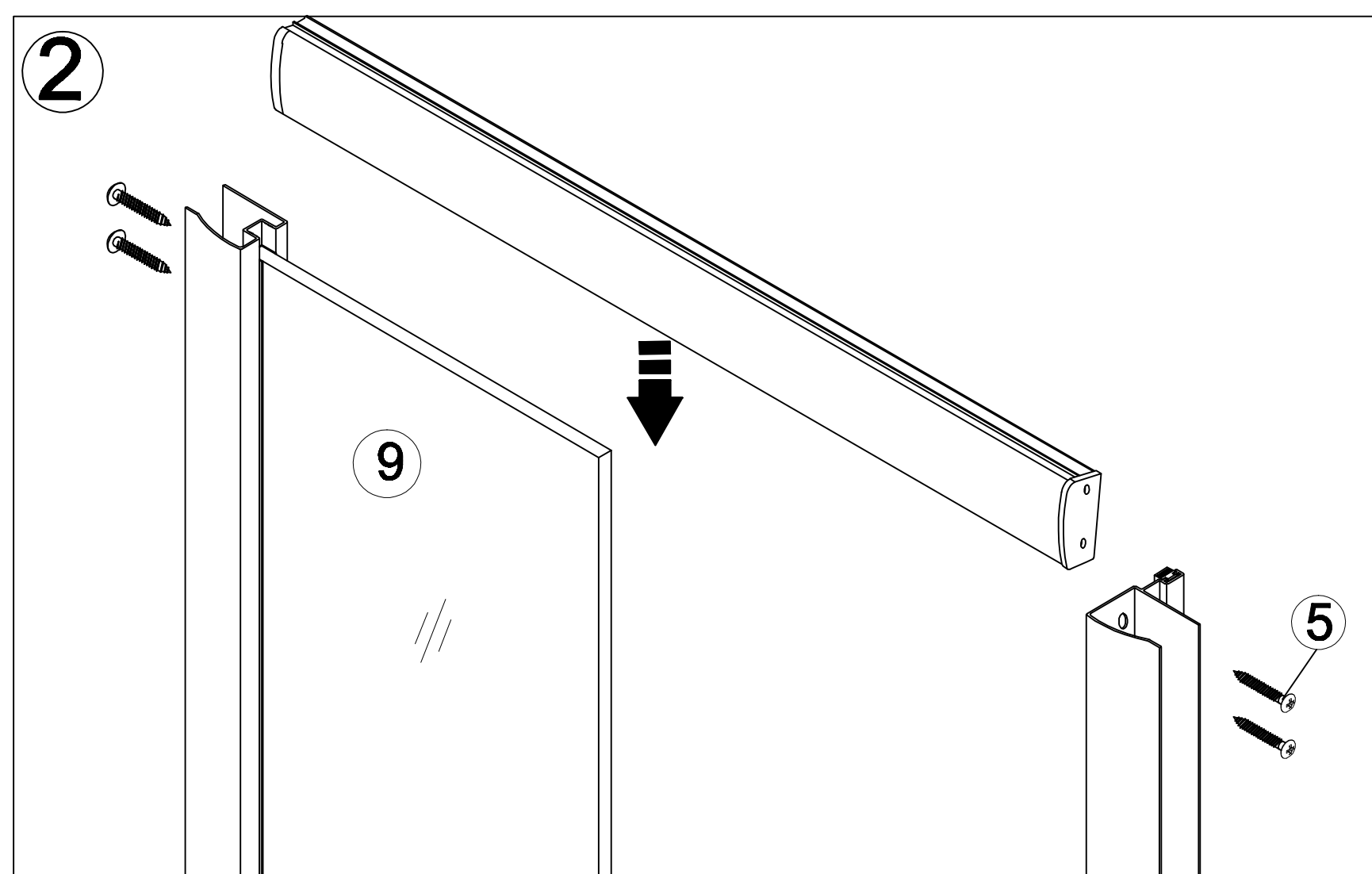
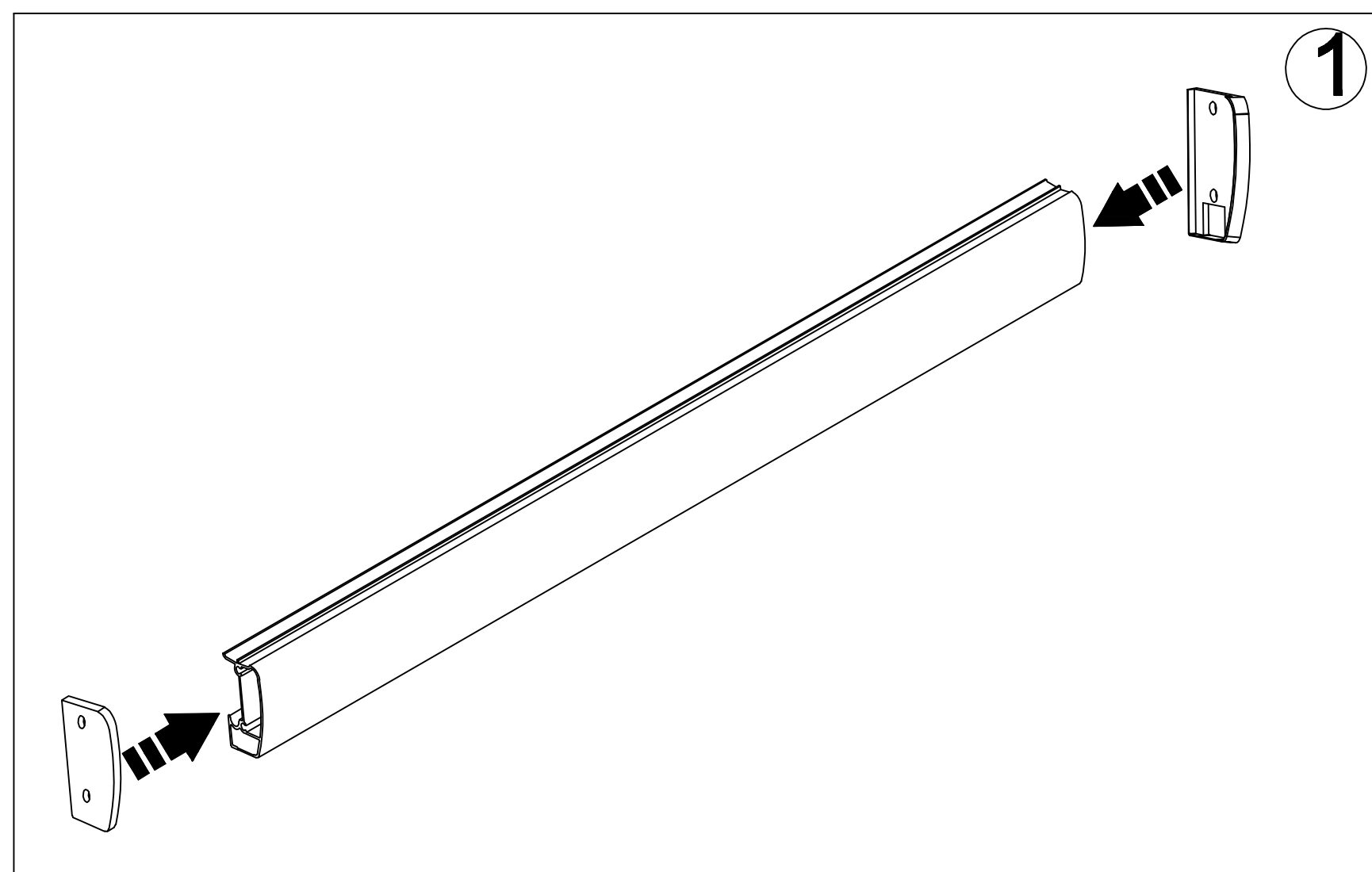
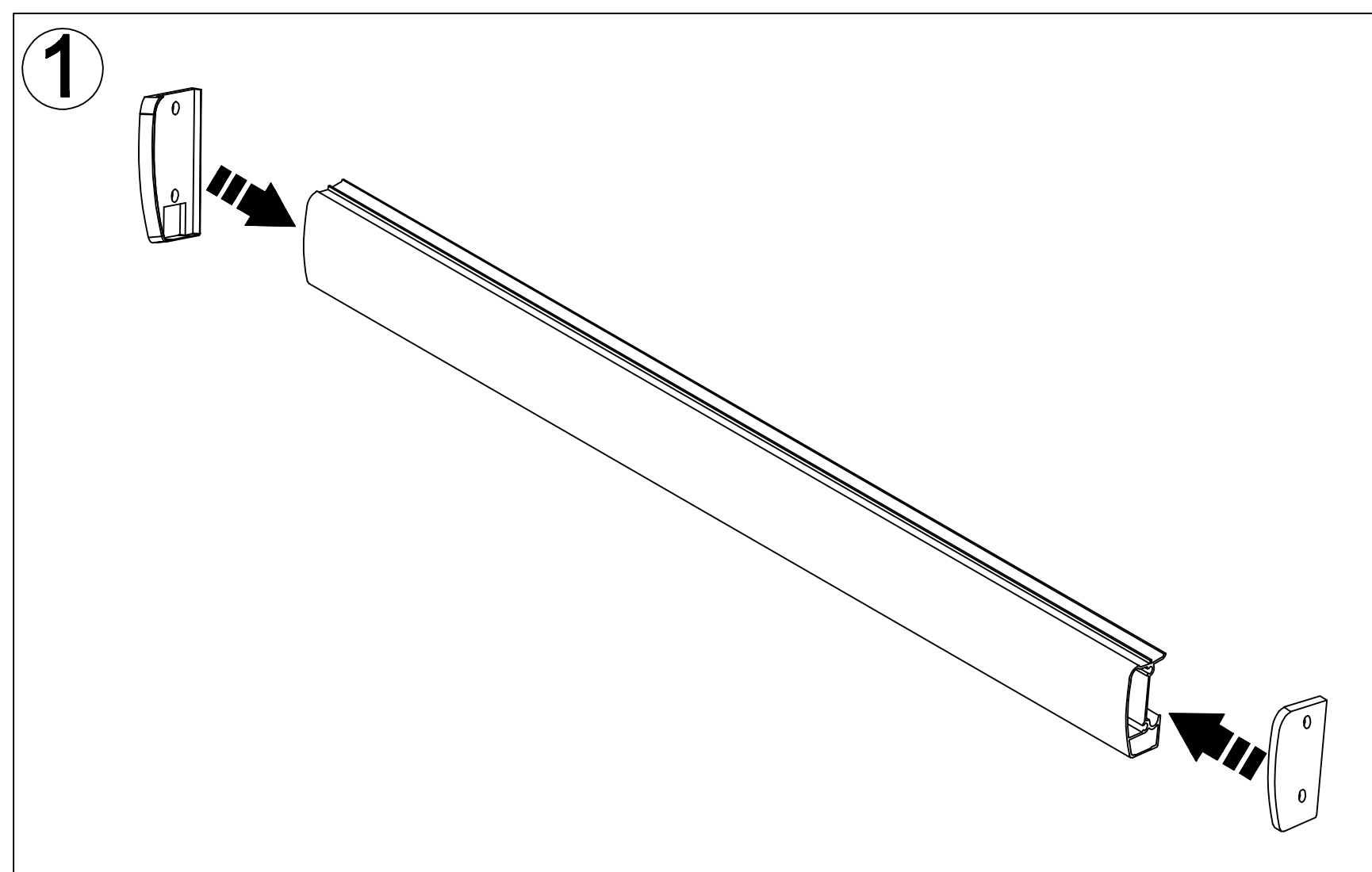
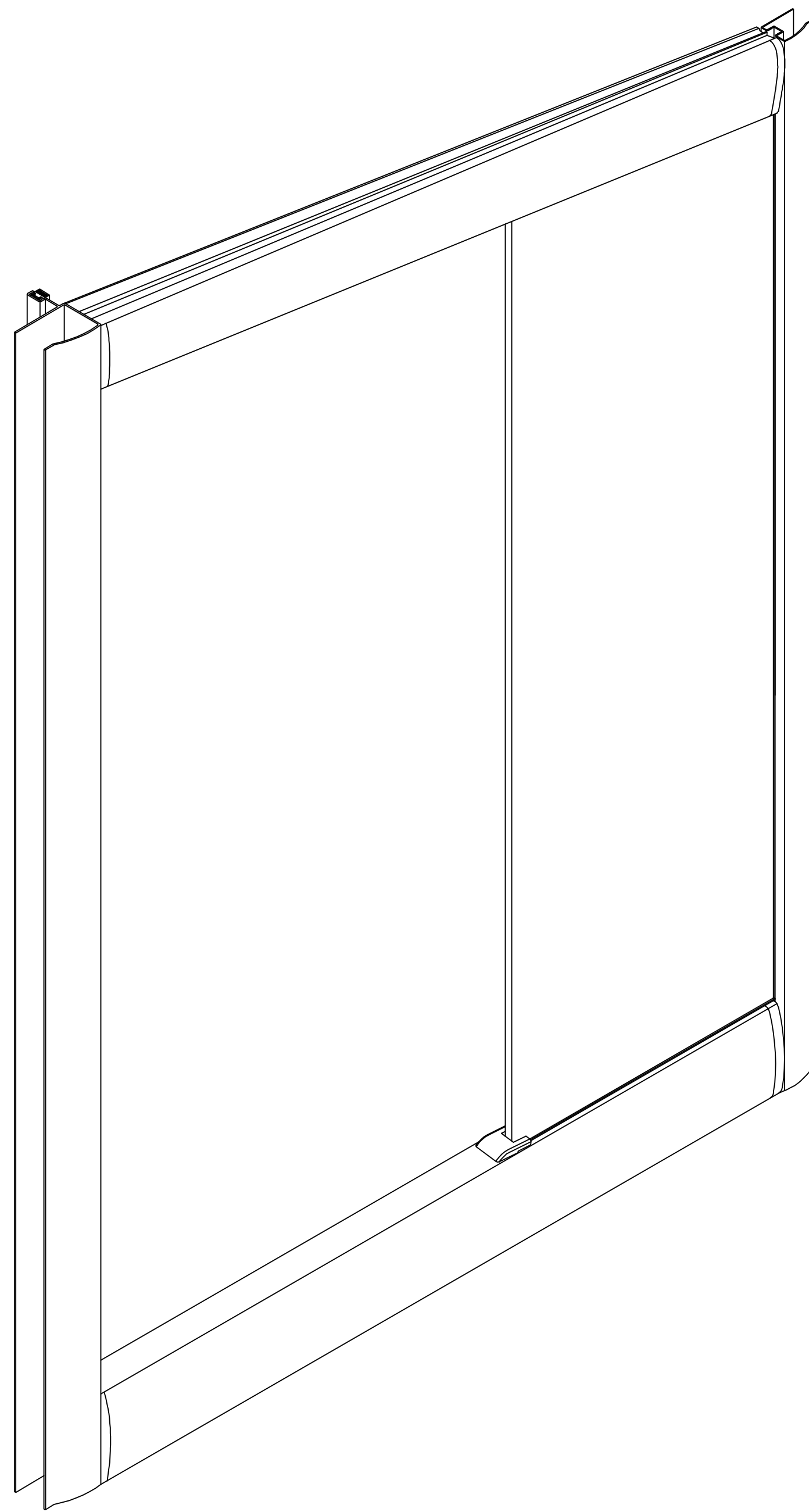
1. Assemble left-side track cap(13) and right-side track cap(17) to ends of shower door track(14).
2. Insert shower door track(14) to Fixed panel(9), lock shower door track(14) to wall bracket(7) and wide wall bracket(19) by using self-tapping screws 4*30(5).



Left Hand Assembly

STEP 3

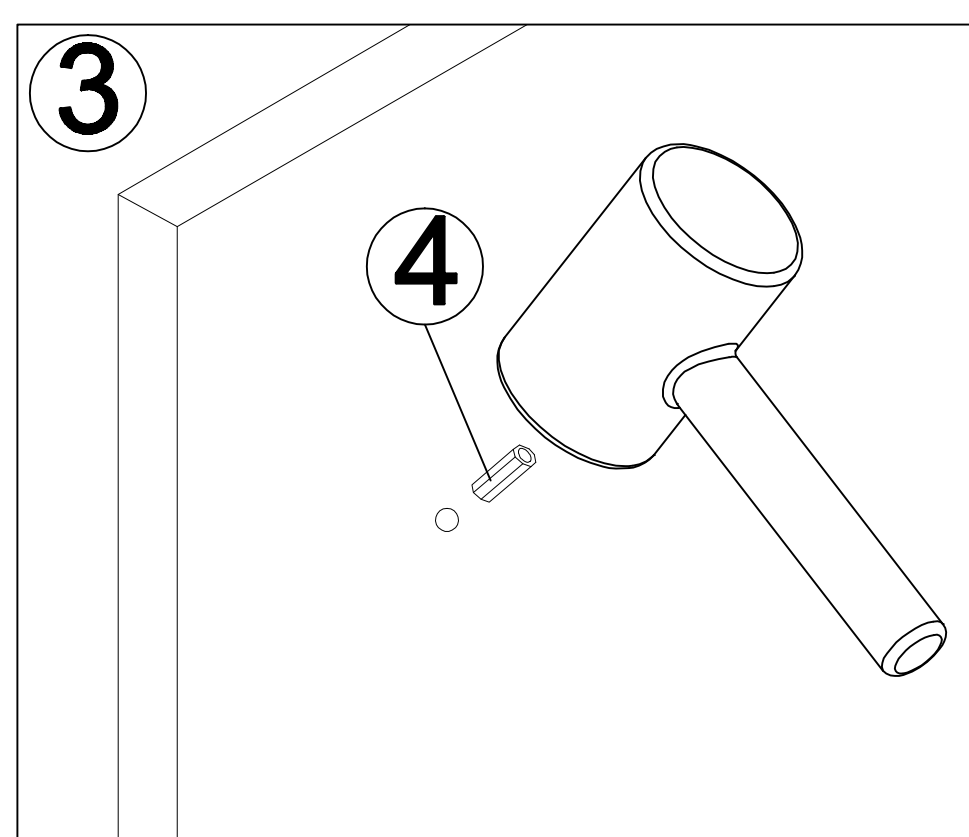
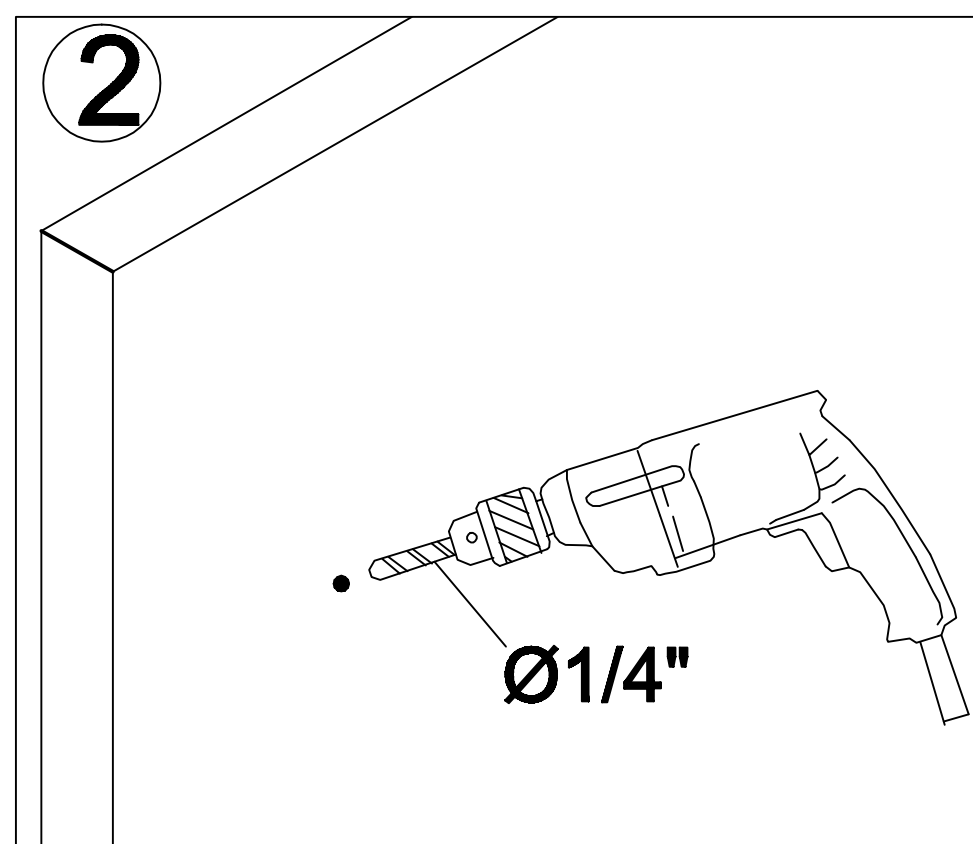
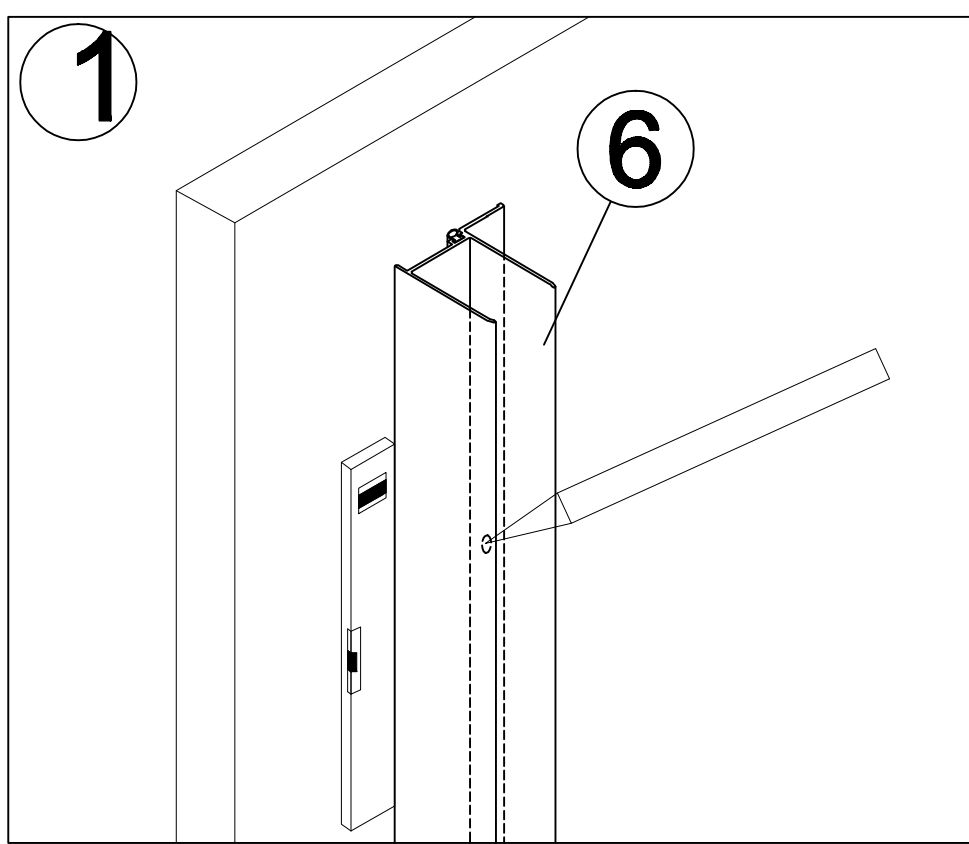
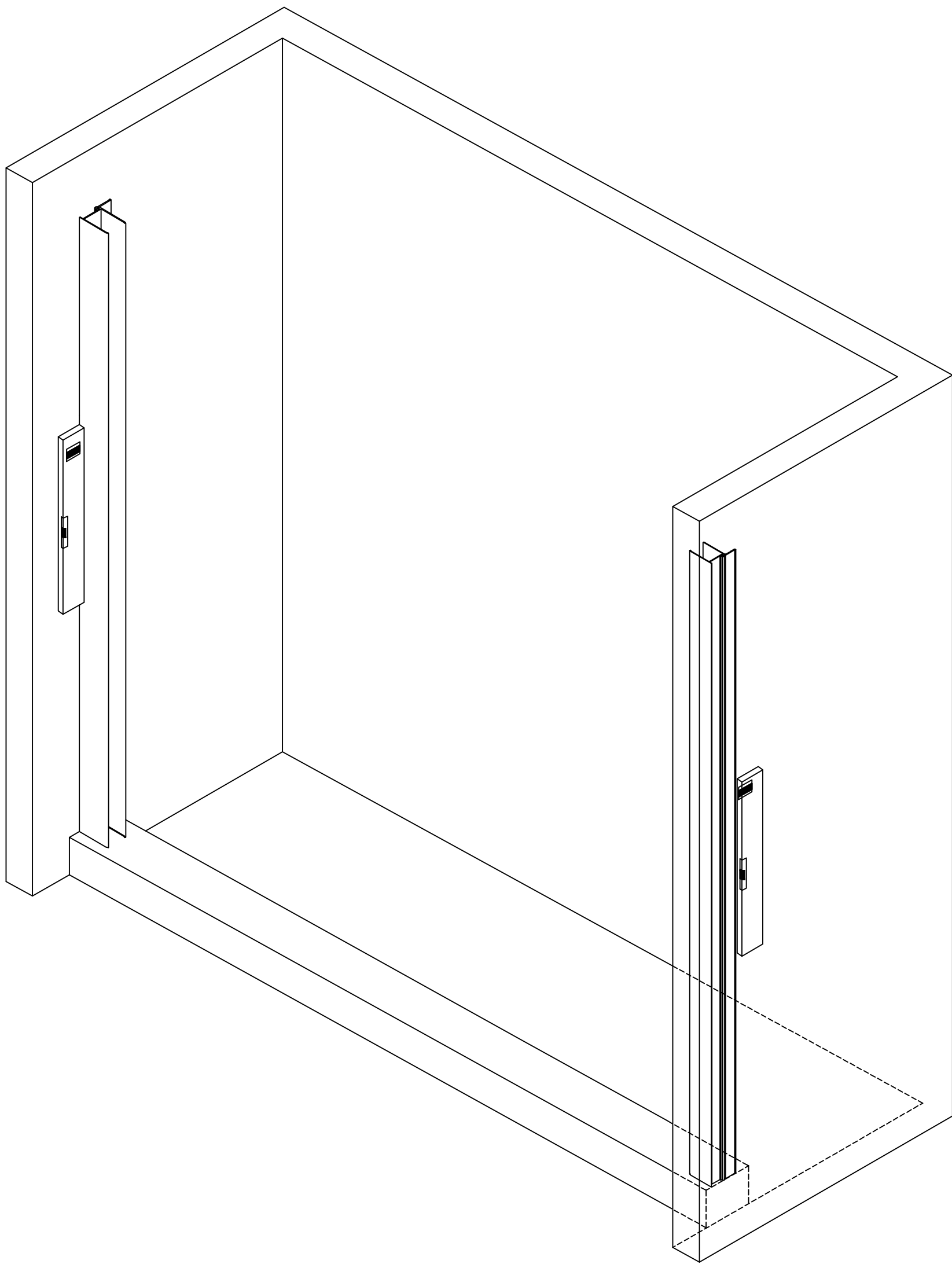
1. Assemble left-side track cap(17) and right-side track cap(13) to ends of shower door track(14).
- 2.2. Insert shower door track(14) to Fixed panel(9), lock shower door track(14) to wall bracket(7) and wide wall bracket(19) by using self-tapping screws 4*30(5).



Left Hand Assembly

STEP 4

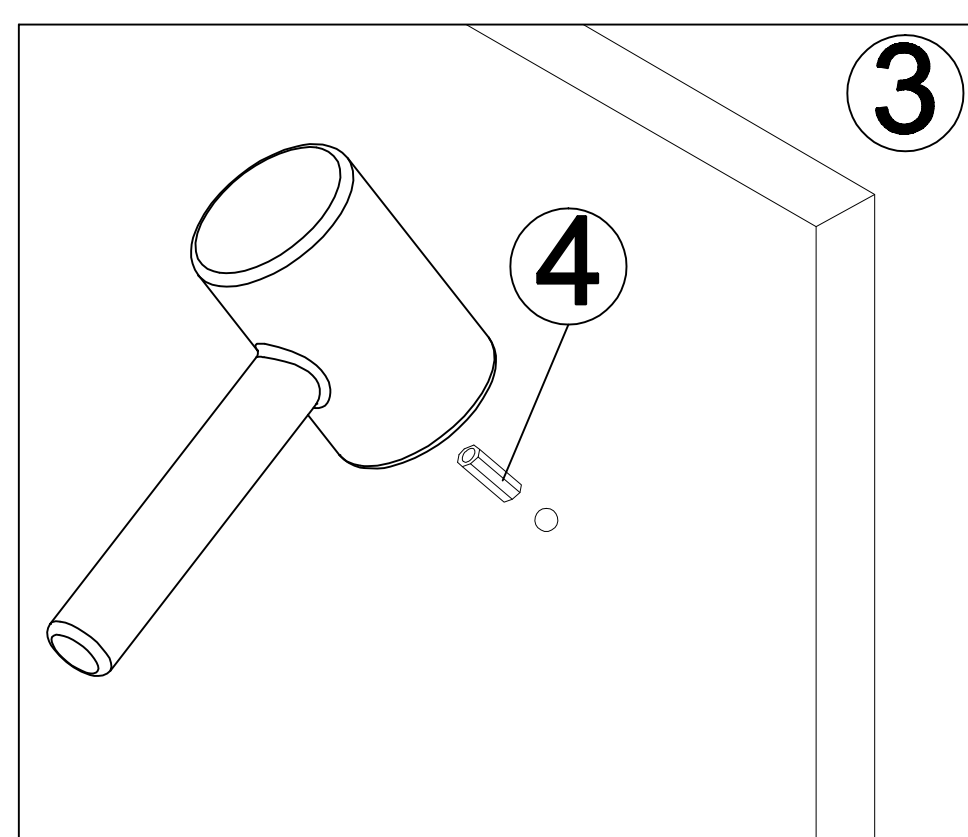
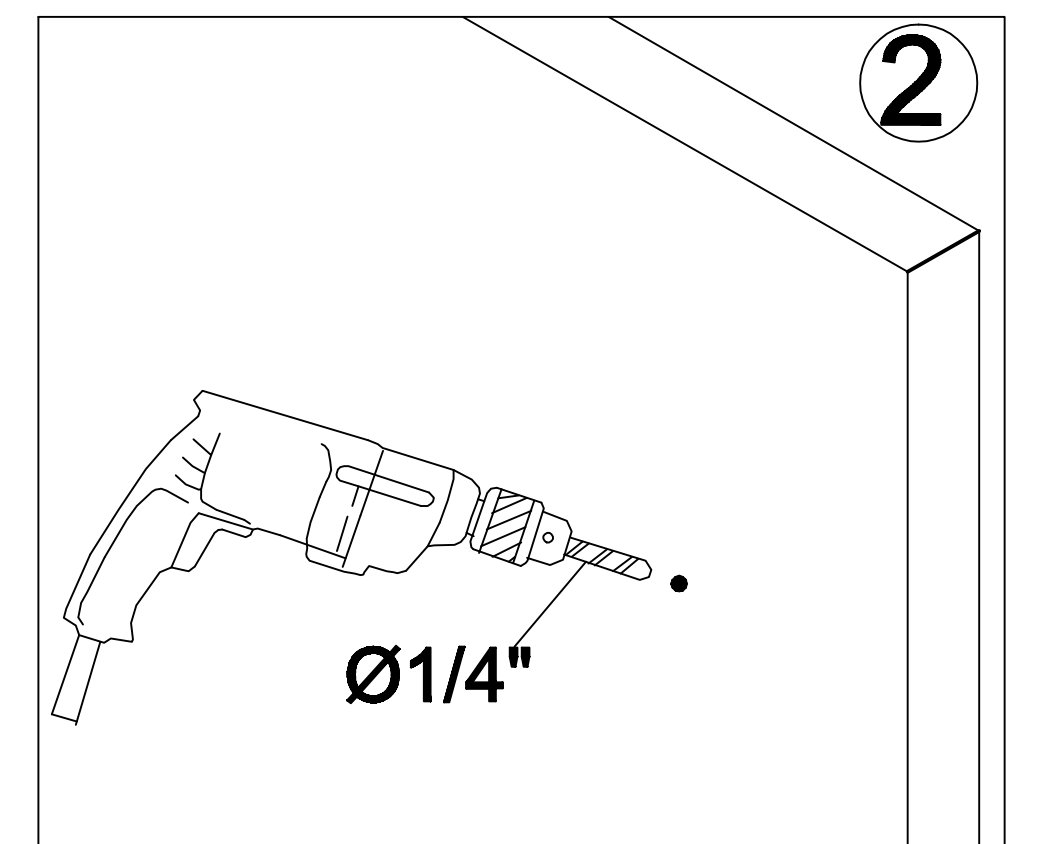
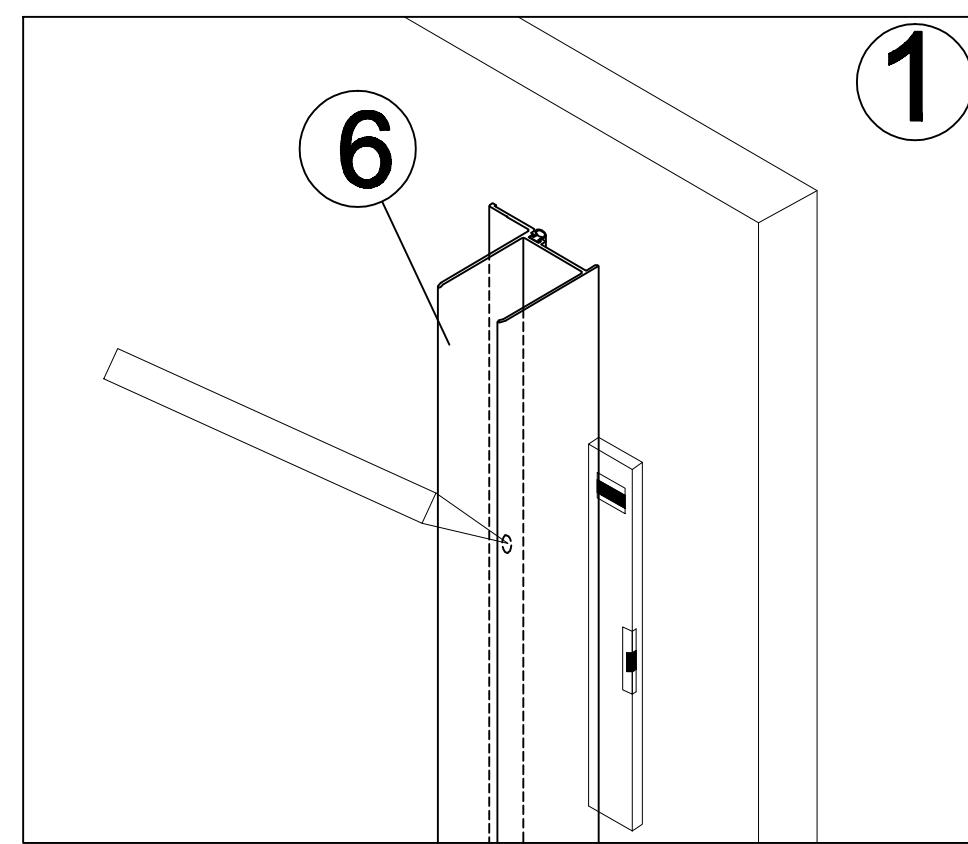
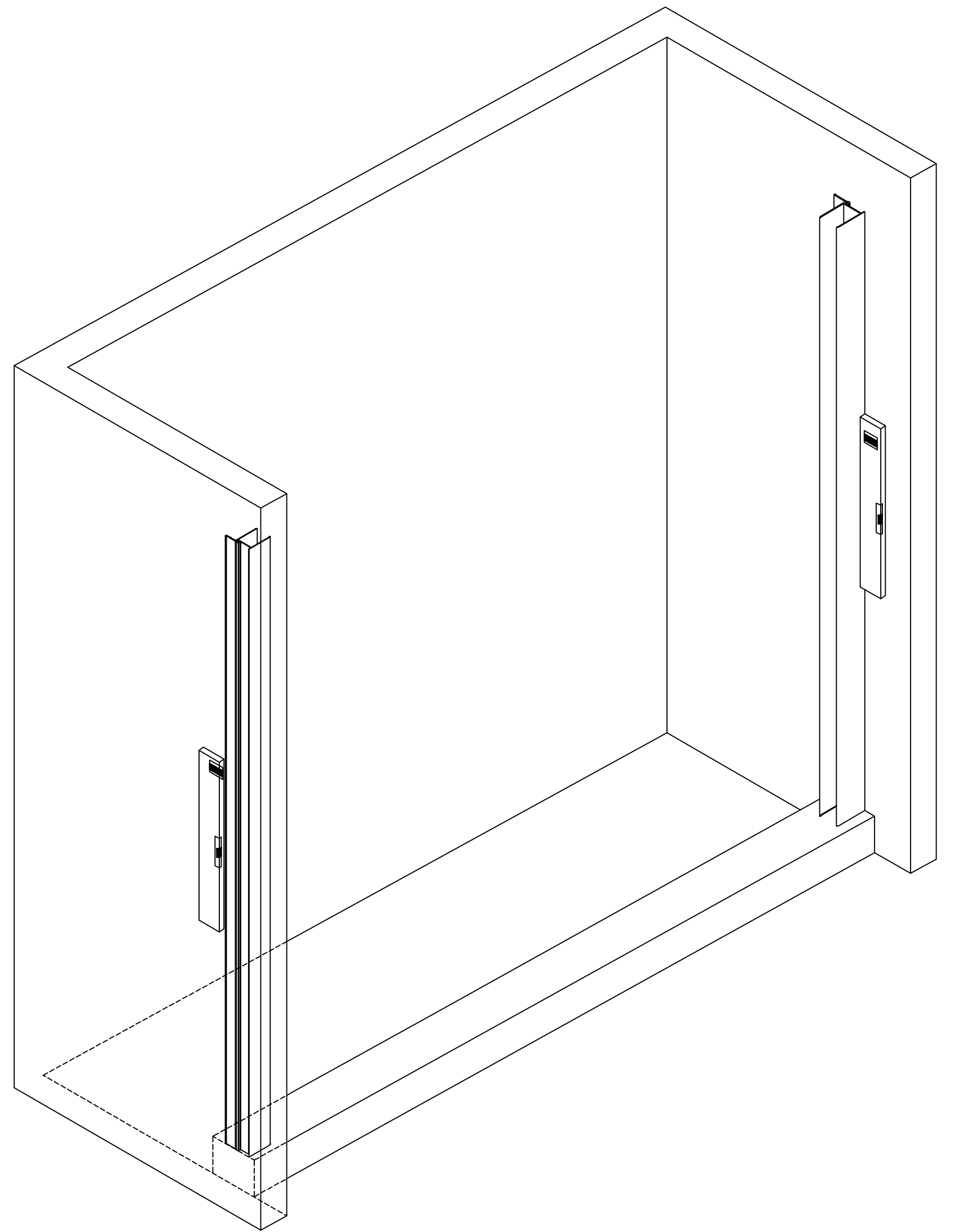
1. Hold wall-mounted bracket(6) against wall, level it vertical with level and mark hold portions with pencil.
2. Take off wall-mounted bracket(6) and drill holes on markings.
3. Hammer wall anchors 6*28(4) into holes.



Left Hand Assembly

STEP 4

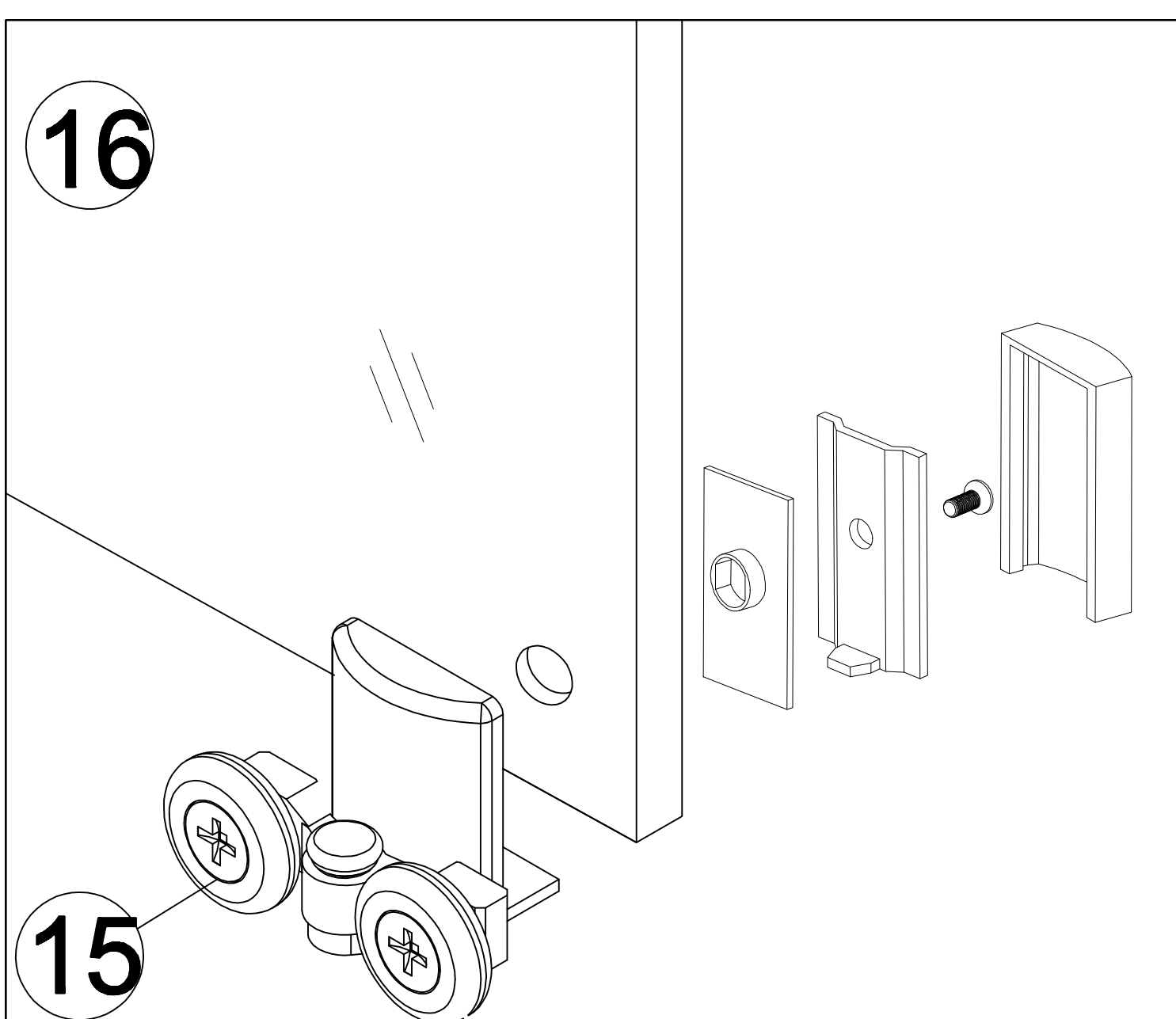
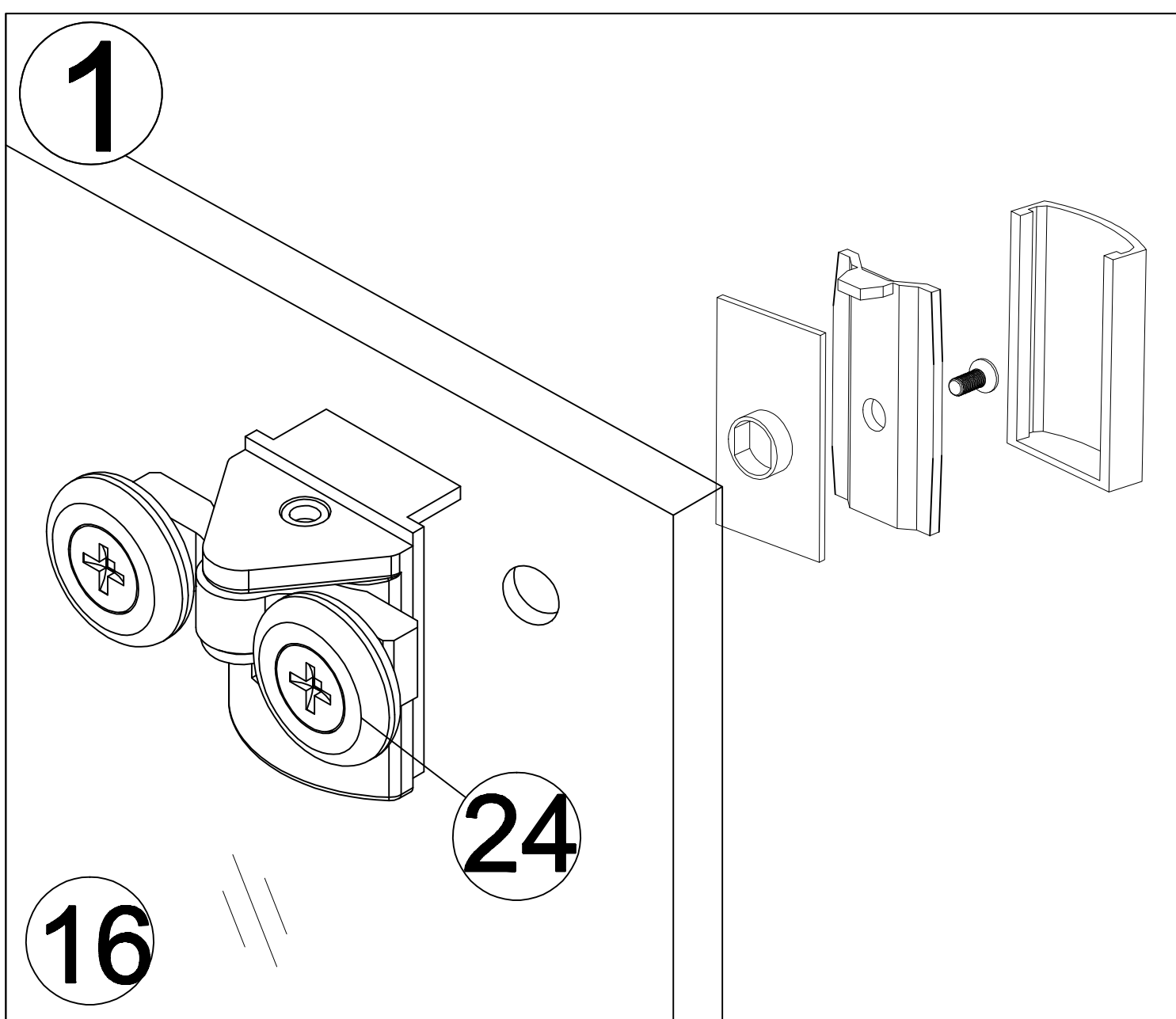
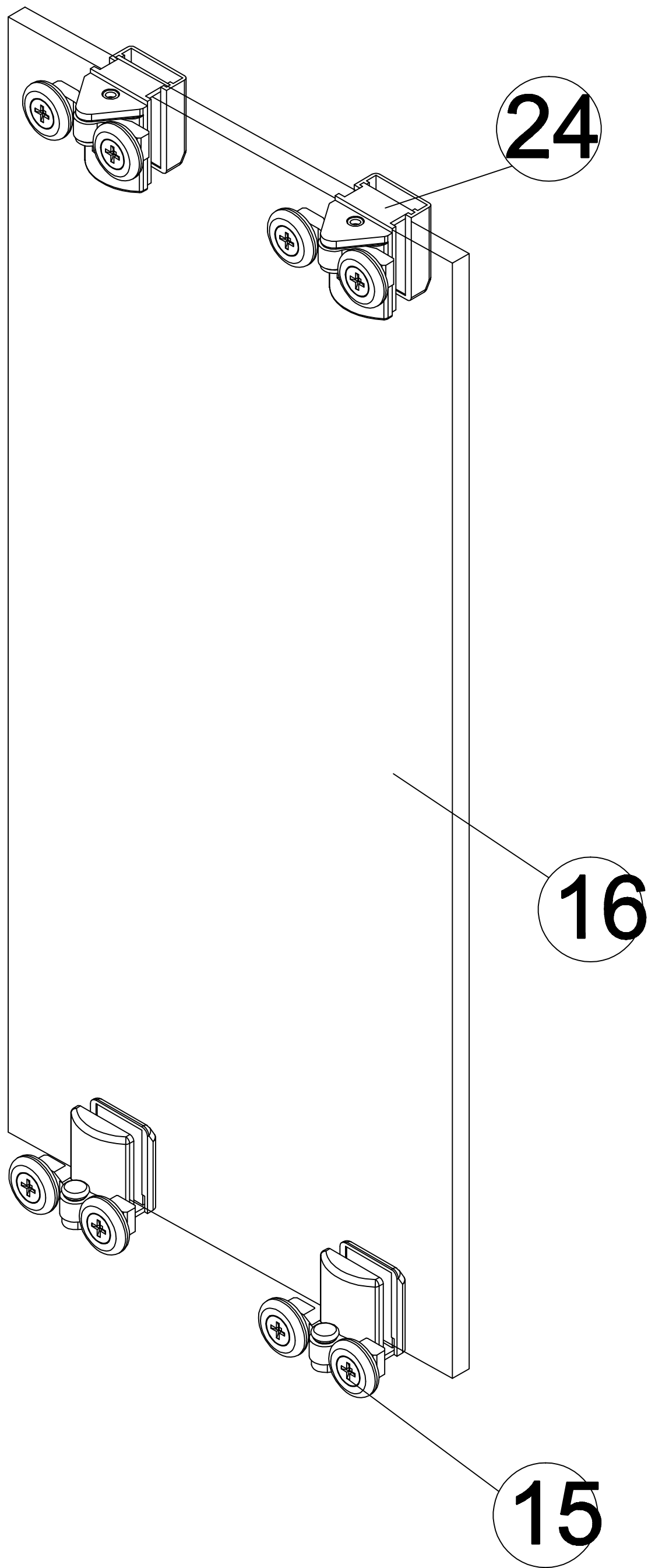
1. Hold wall-mounted bracket(6) against wall, level it vertical with level and mark hold portions with pencil.
2. Take off wall-mounted bracket(6) and drill holes on markings.
3. Hammer wall anchors 6*28(4) into holes.



Left Hand Assembly

STEP 5

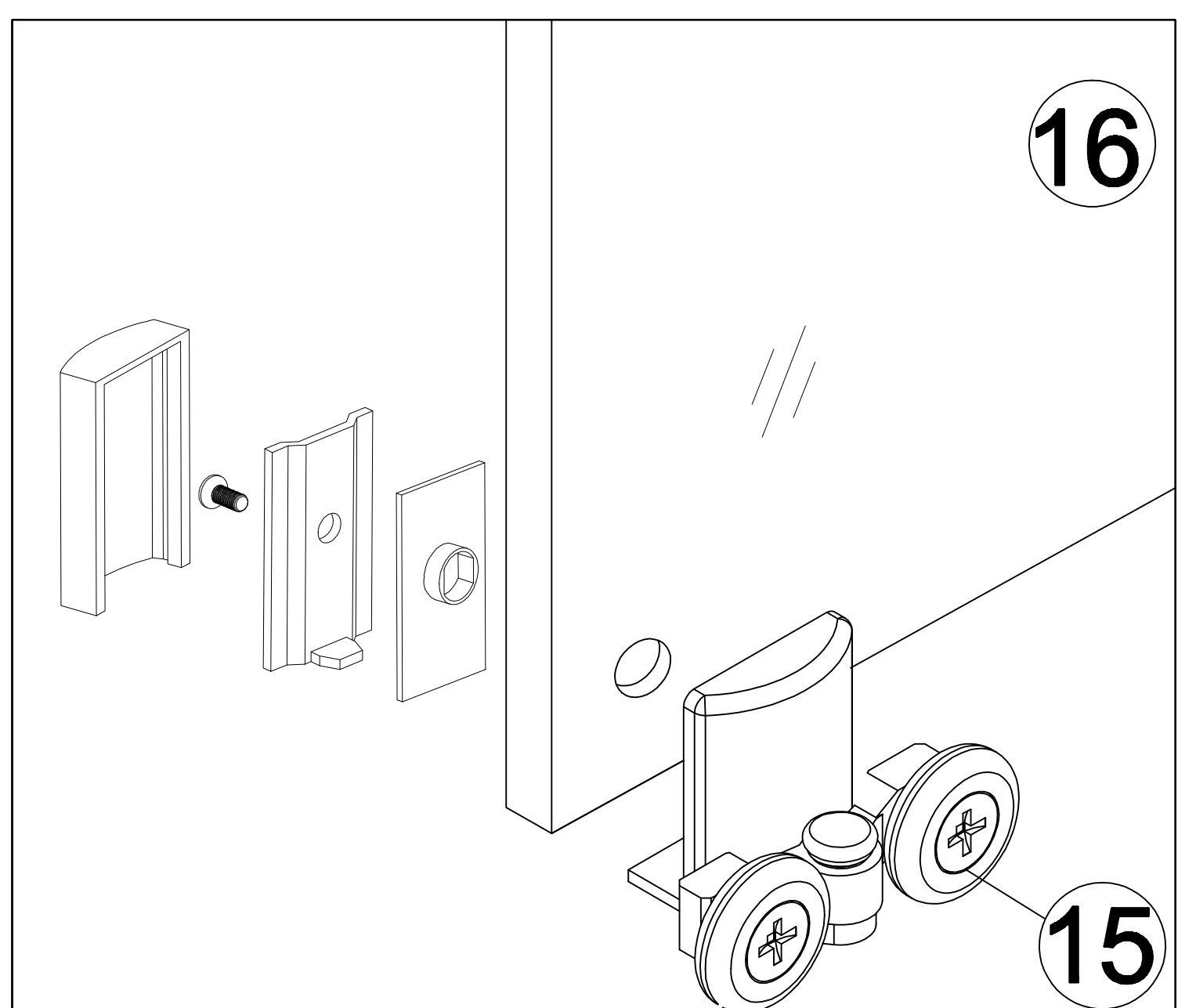
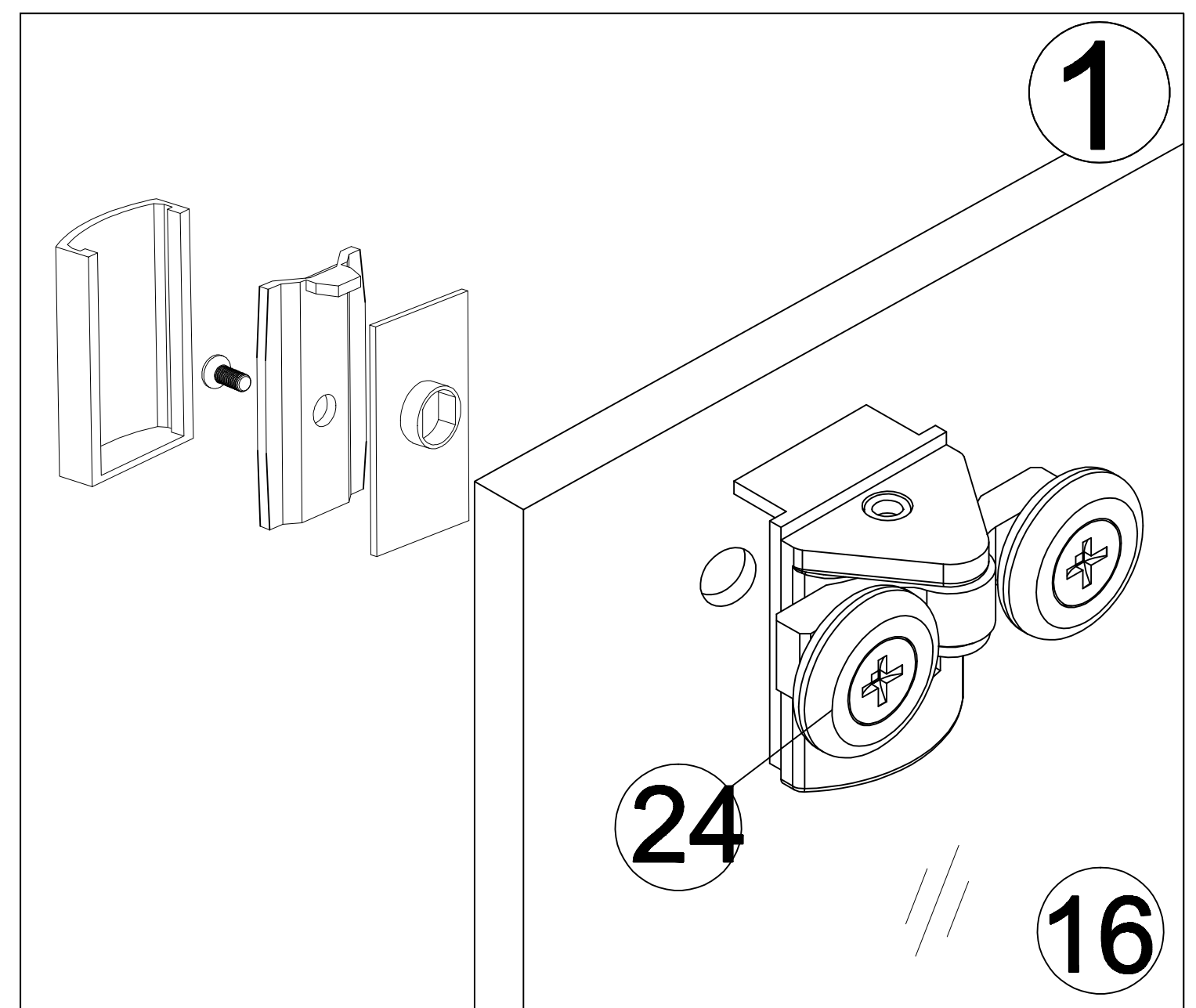
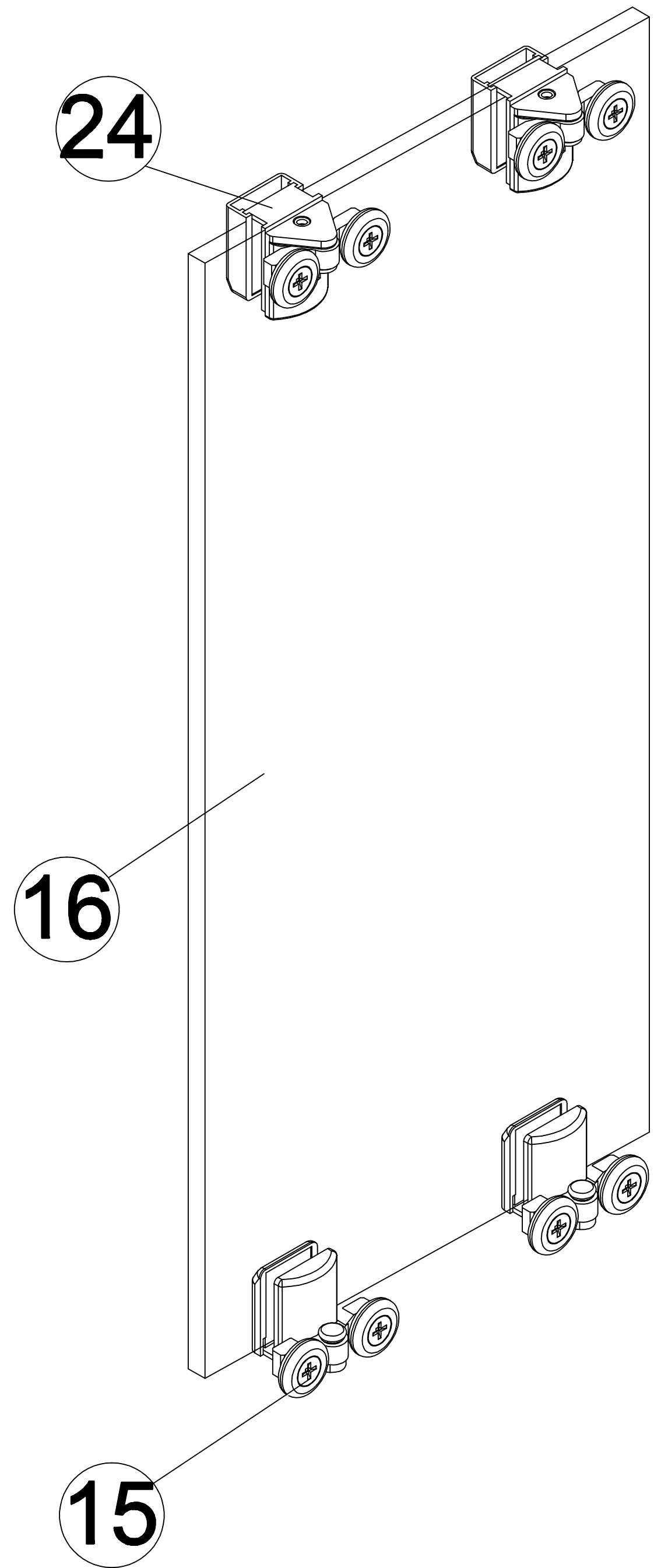
1. Install top roller assembly(24) and bottom roller assembly(15) on the movable door(16).



Left Hand Assembly

STEP 5

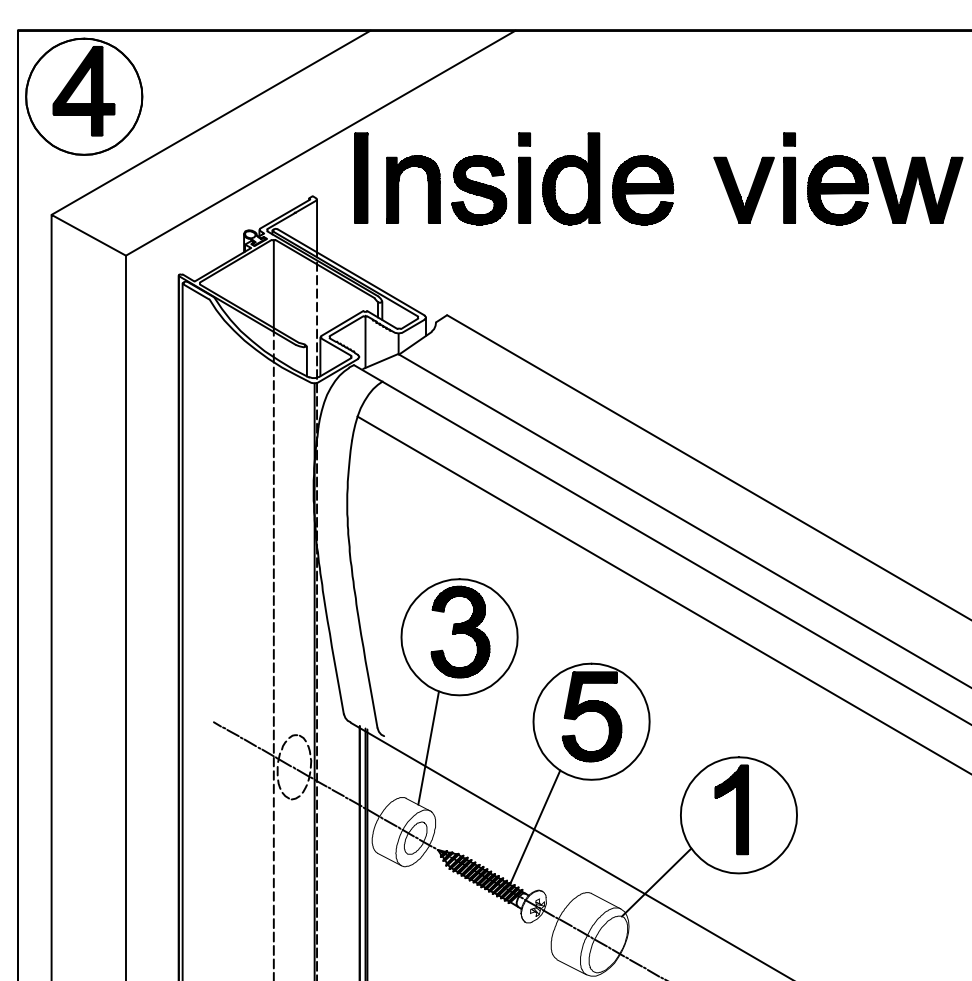
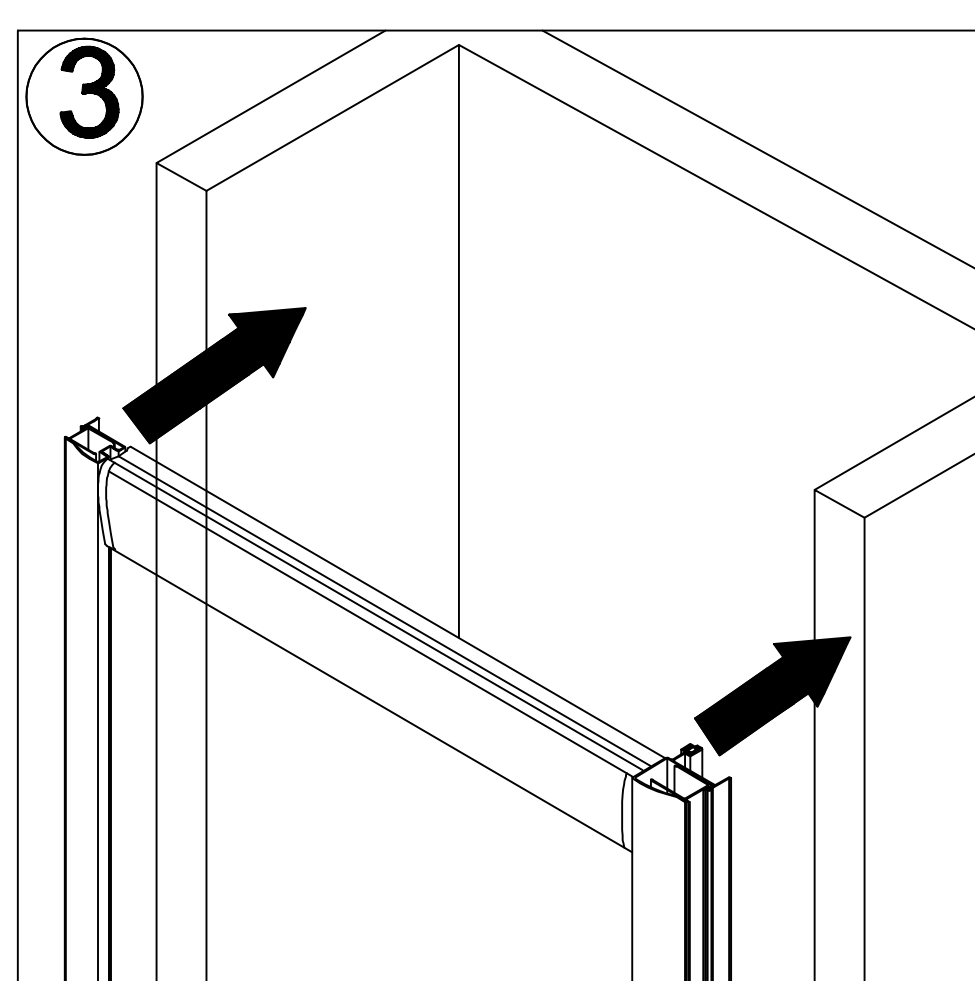
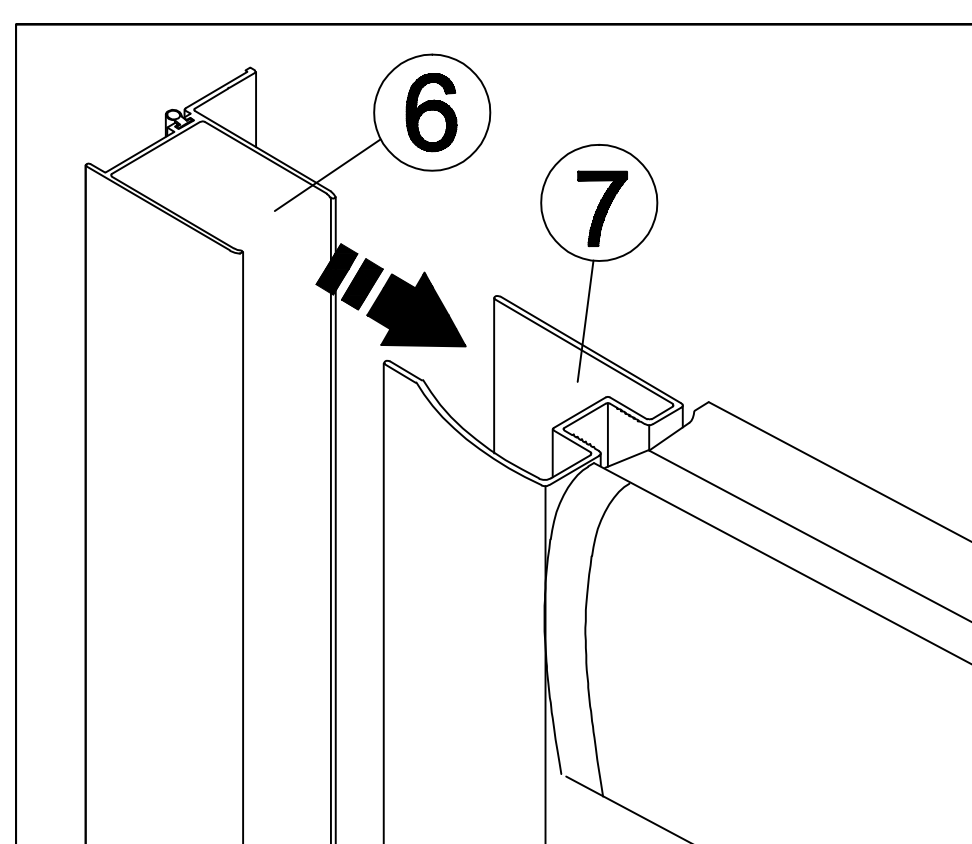
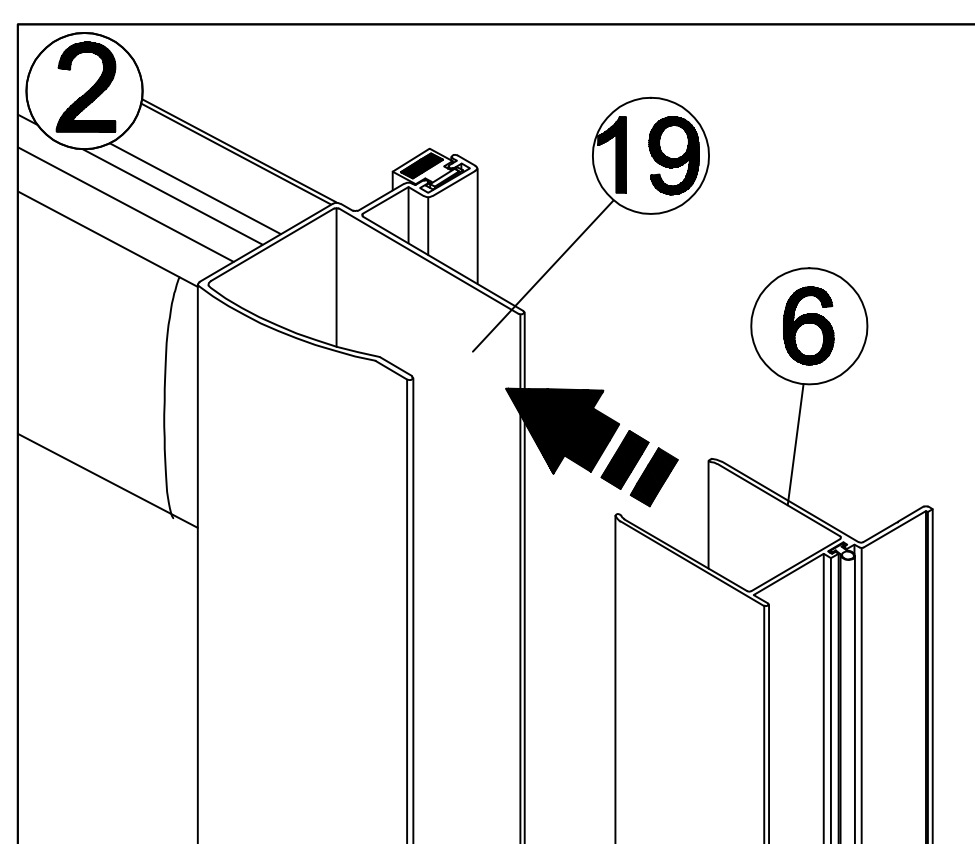
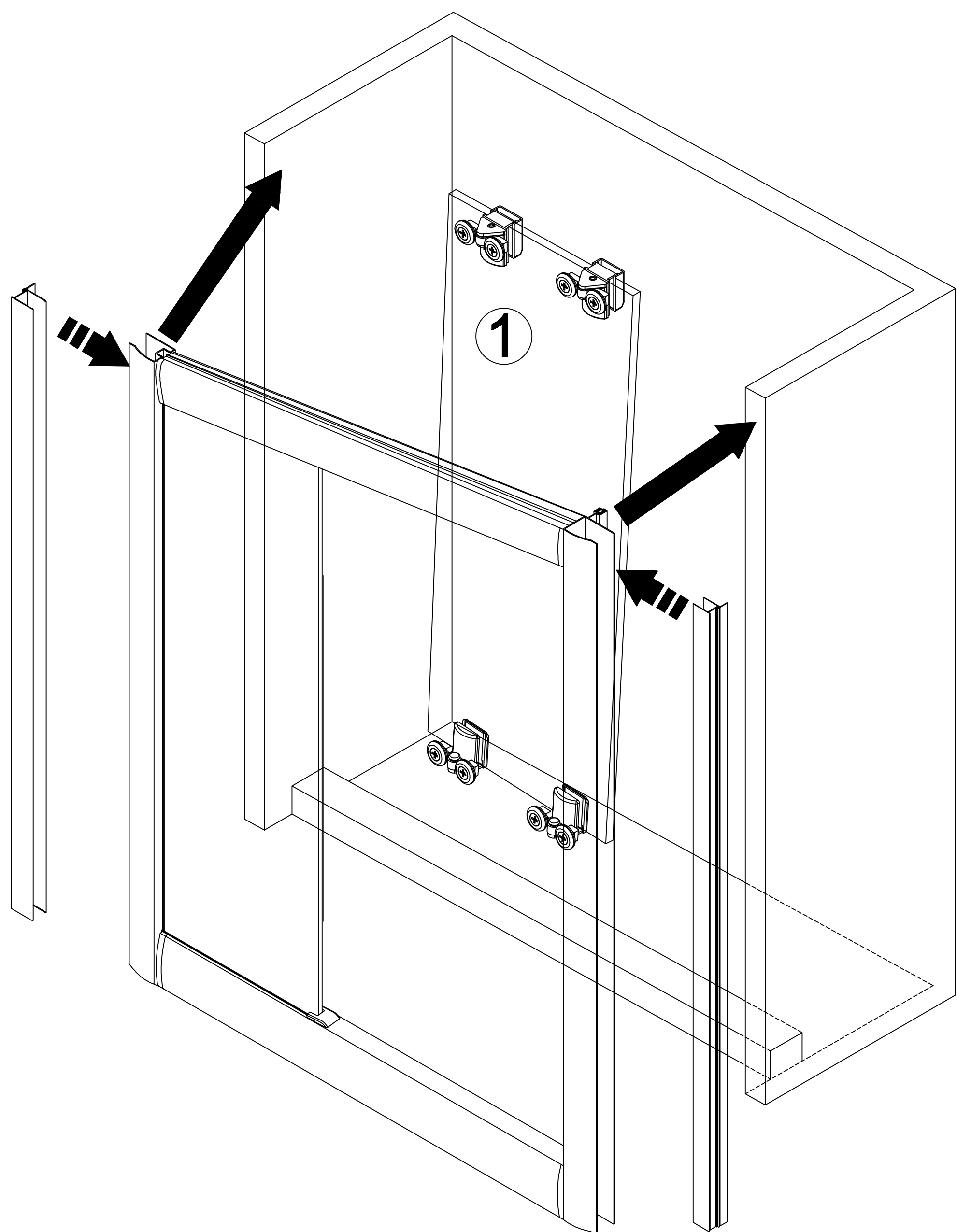
1. Install top roller assembly(24) and bottom roller assembly(15) on the movable door(16).



Left Hand Assembly

STEP 6

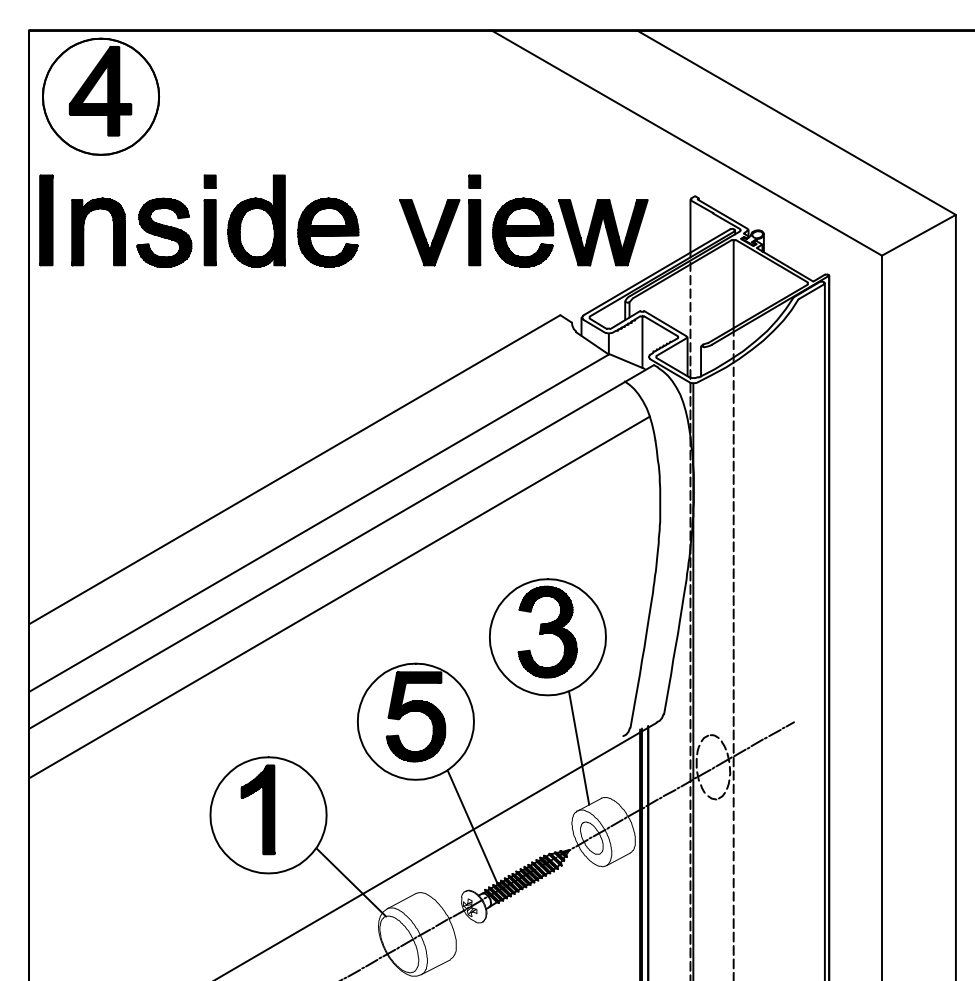
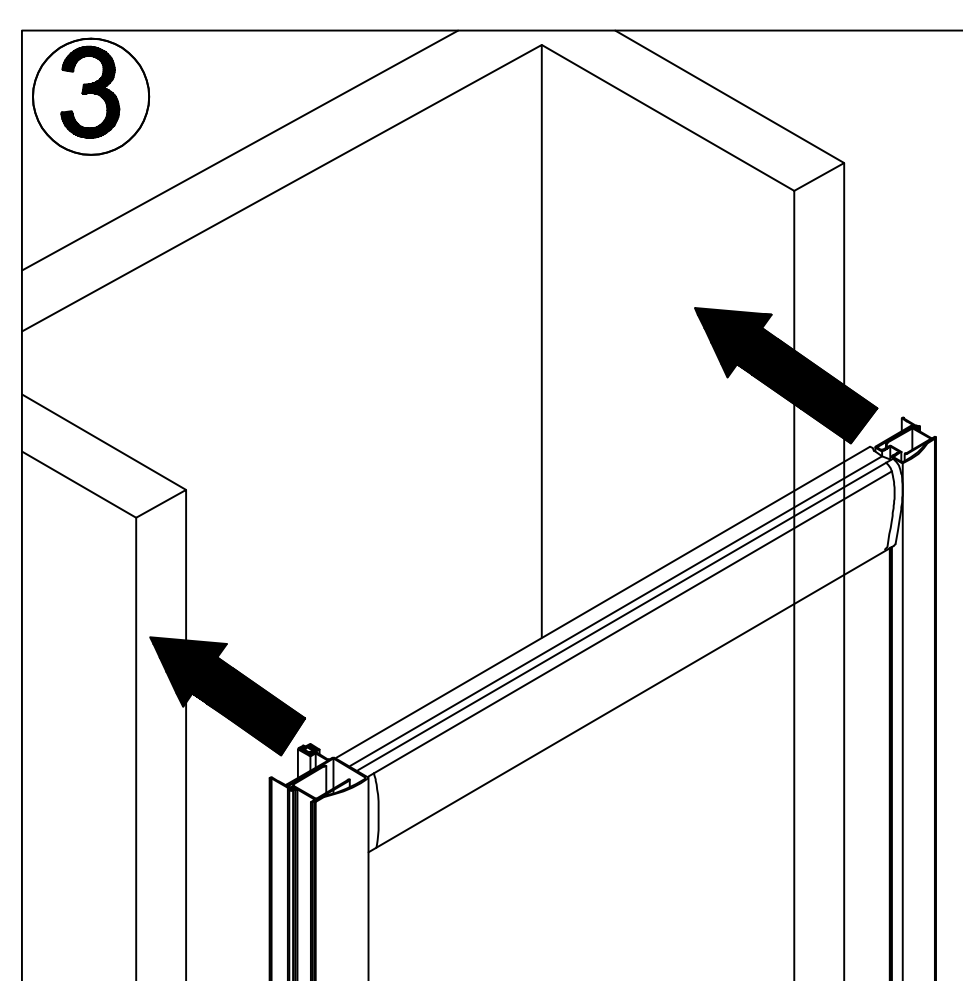
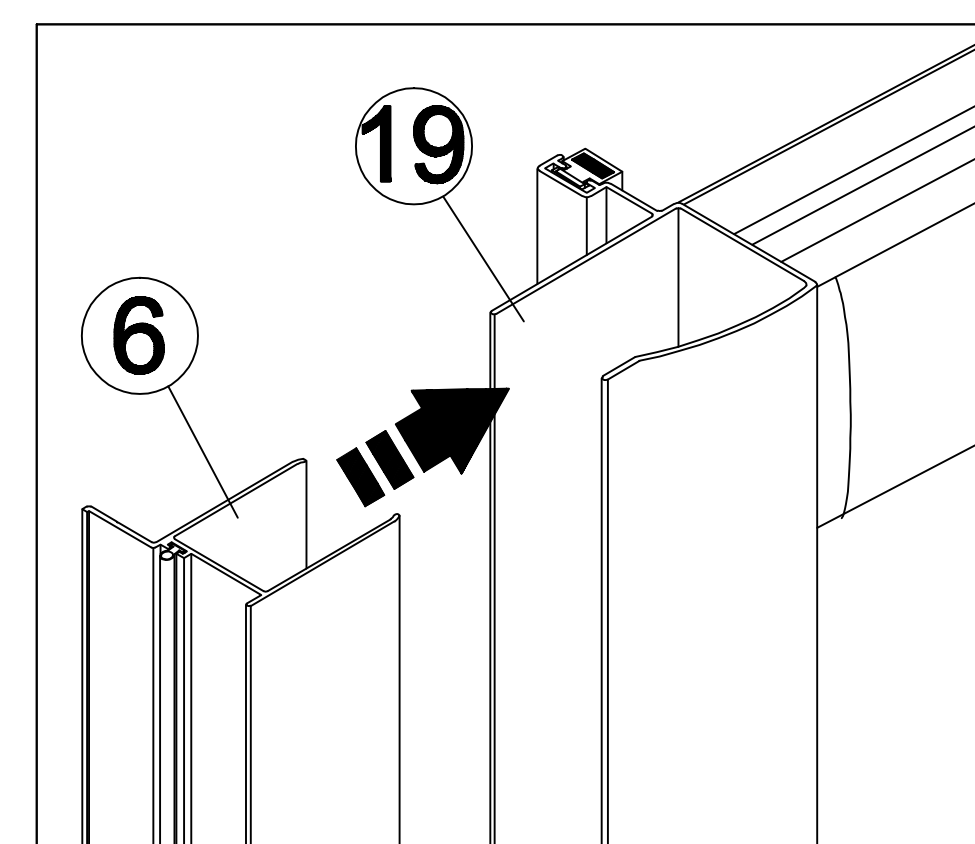
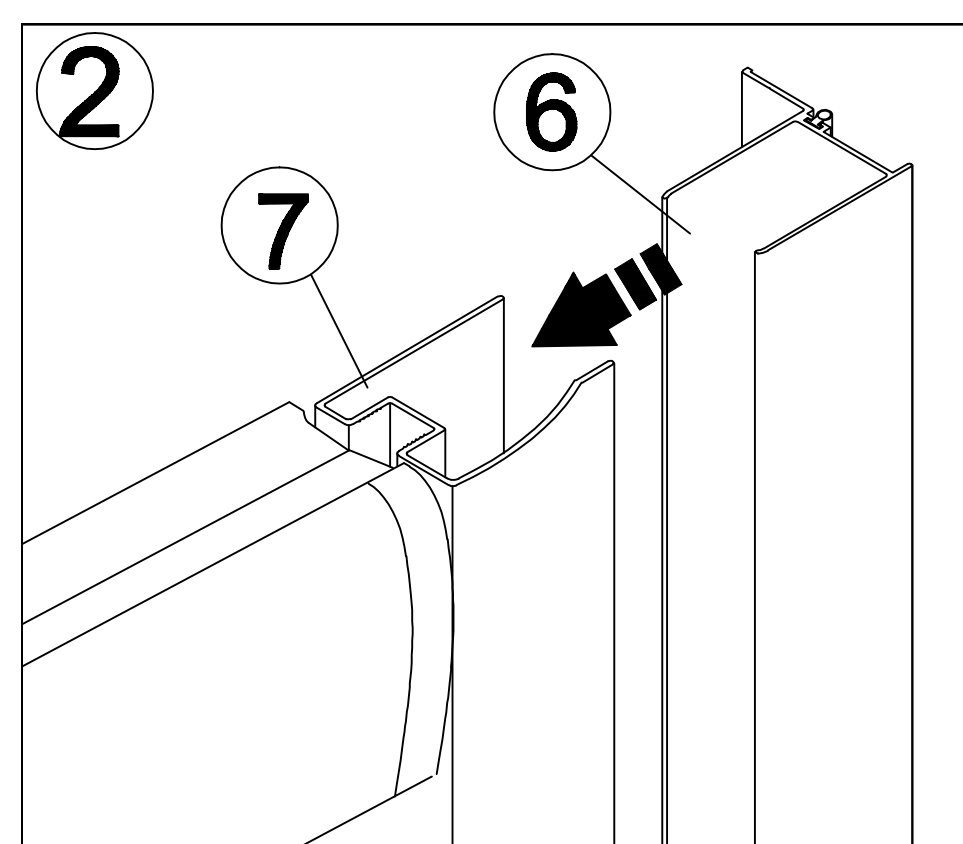
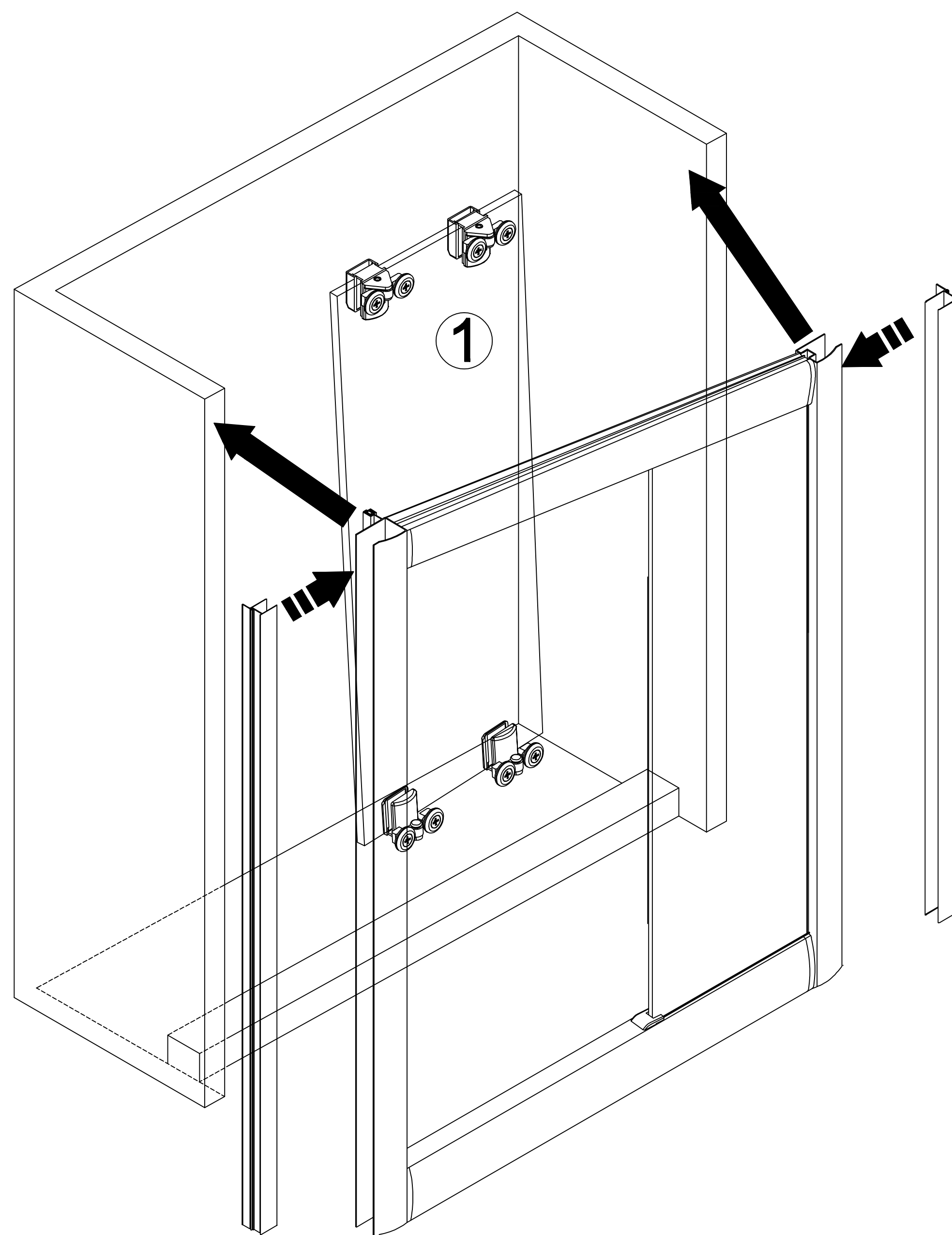
1. Move the Movable door(16) inside of shower area.
2. Insert Wall-mounted bracket(6) into wall bracket (7) and Wide wall brackct (19).
3. Put the assembled shower door in the middle of the two walls.
4. Secure Wall-mounted brakct(6) use Self-tapping screw 4*30(5).



Left Hand Assembly

STEP 6

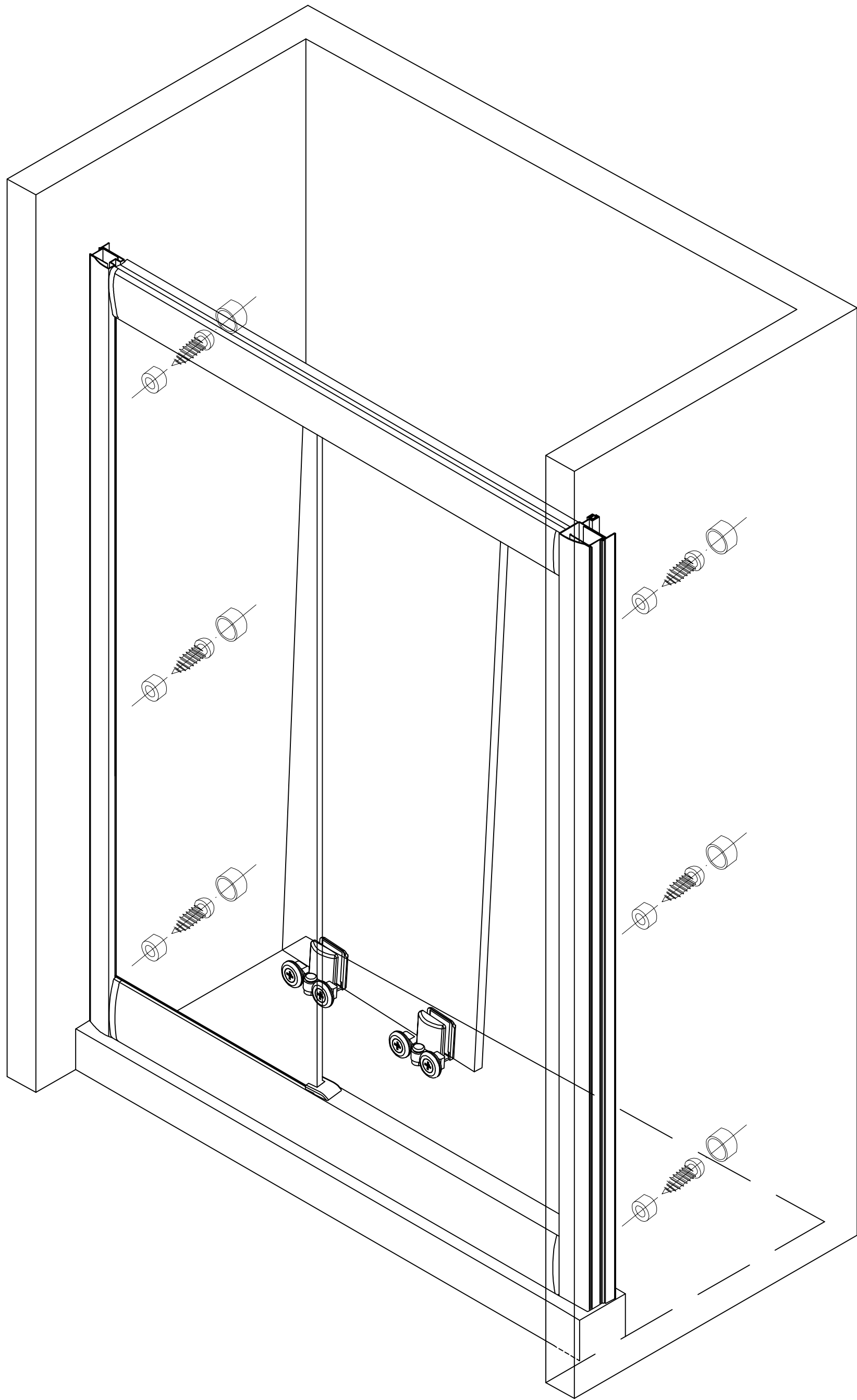
1. Move the Movable door(16) inside of shower area.
2. Insert Wall-mounted bracket(6) into wall bracket (7) and Wide wall brackct (19).
3. Put the assembled shower door in the middle of the two walls.
4. Secure Wall-mounted brakct(6) use Self-tapping screw 4*30(5).



Left Hand Assembly

STEP 7

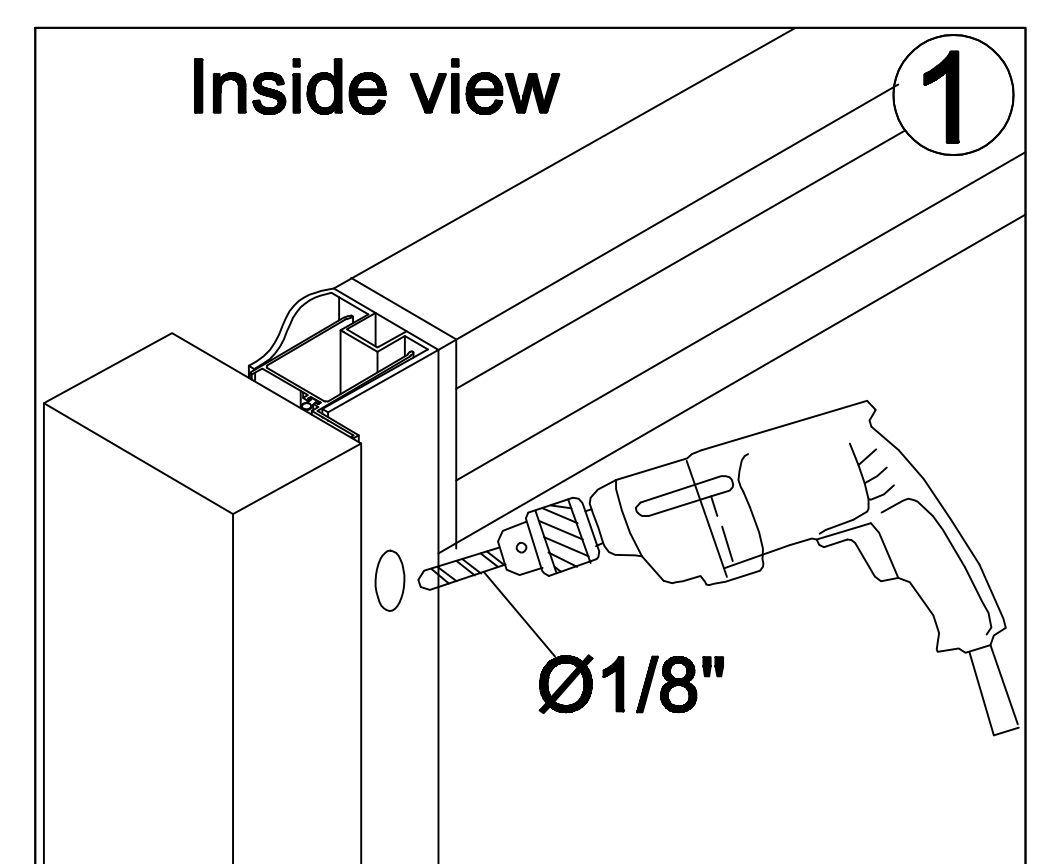
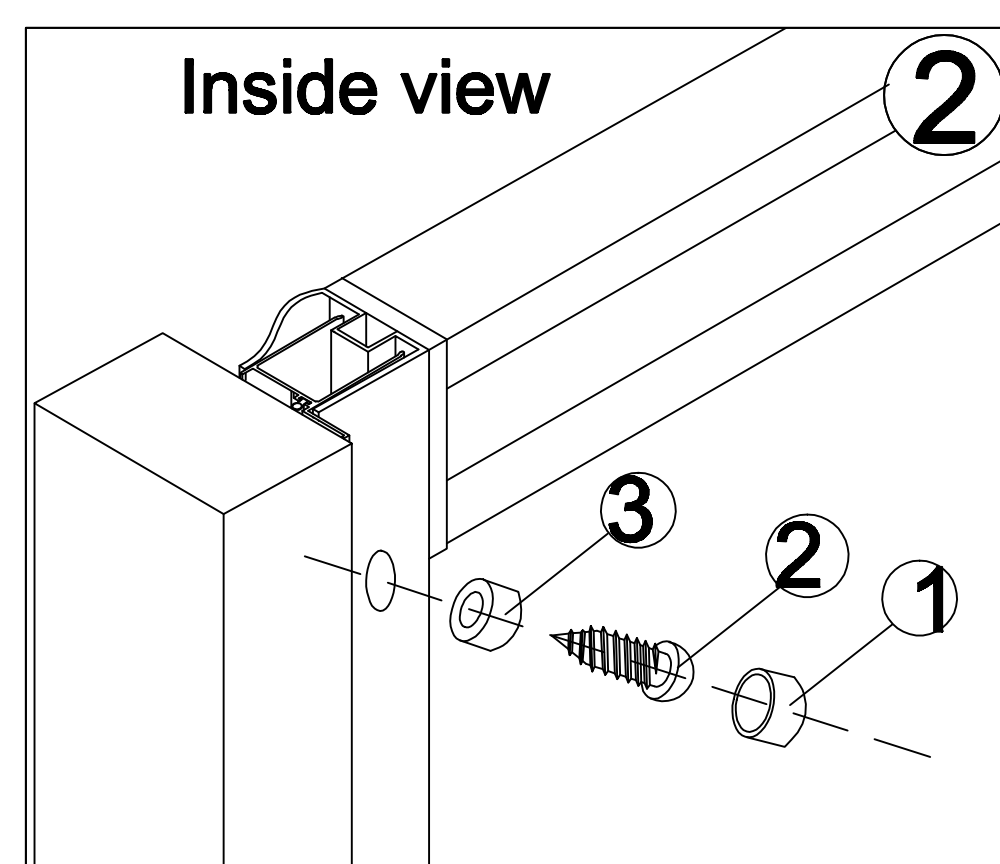
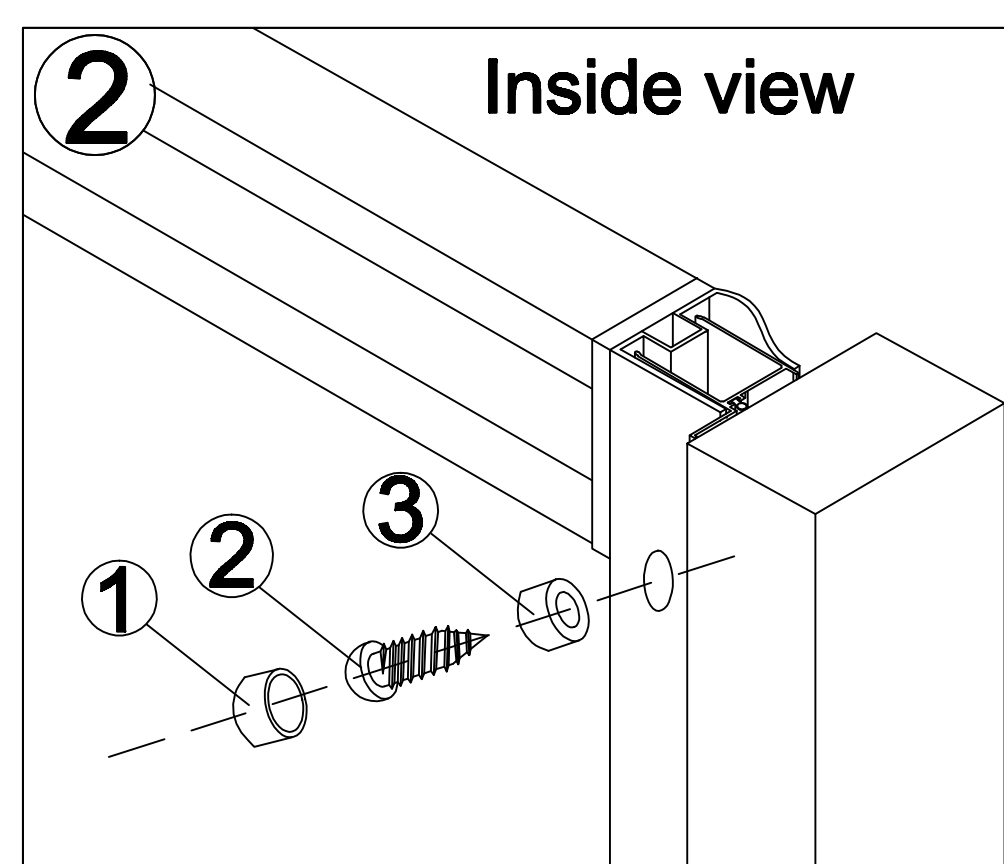
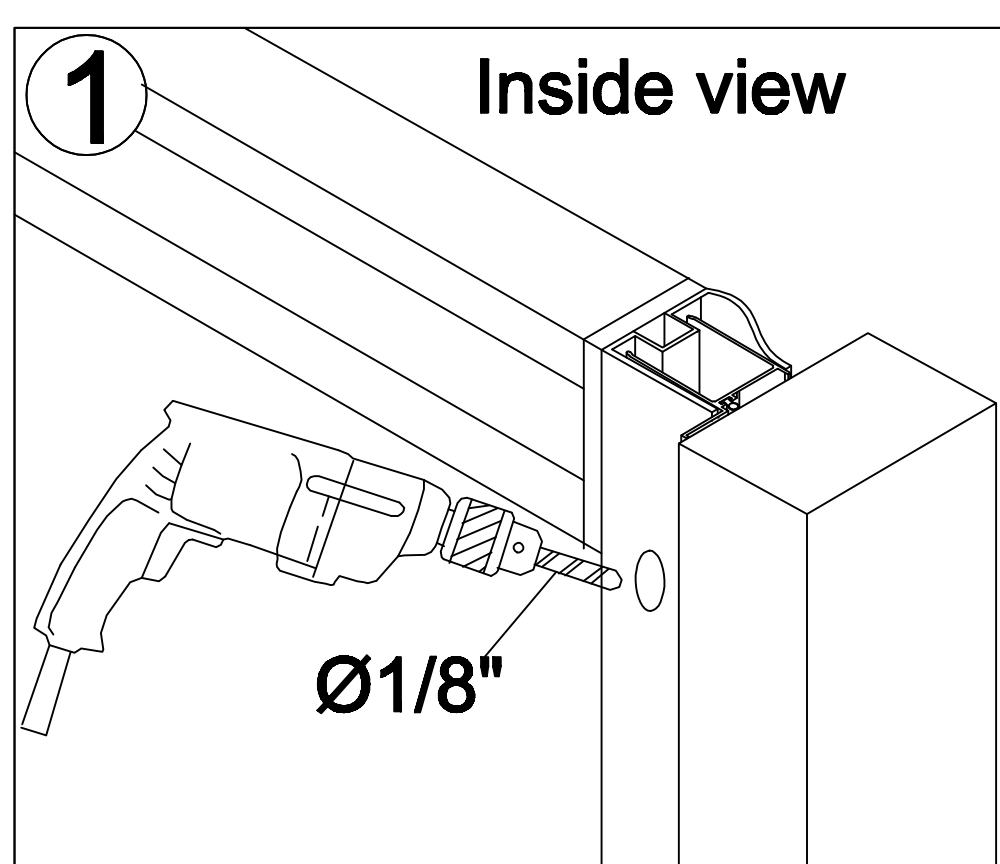
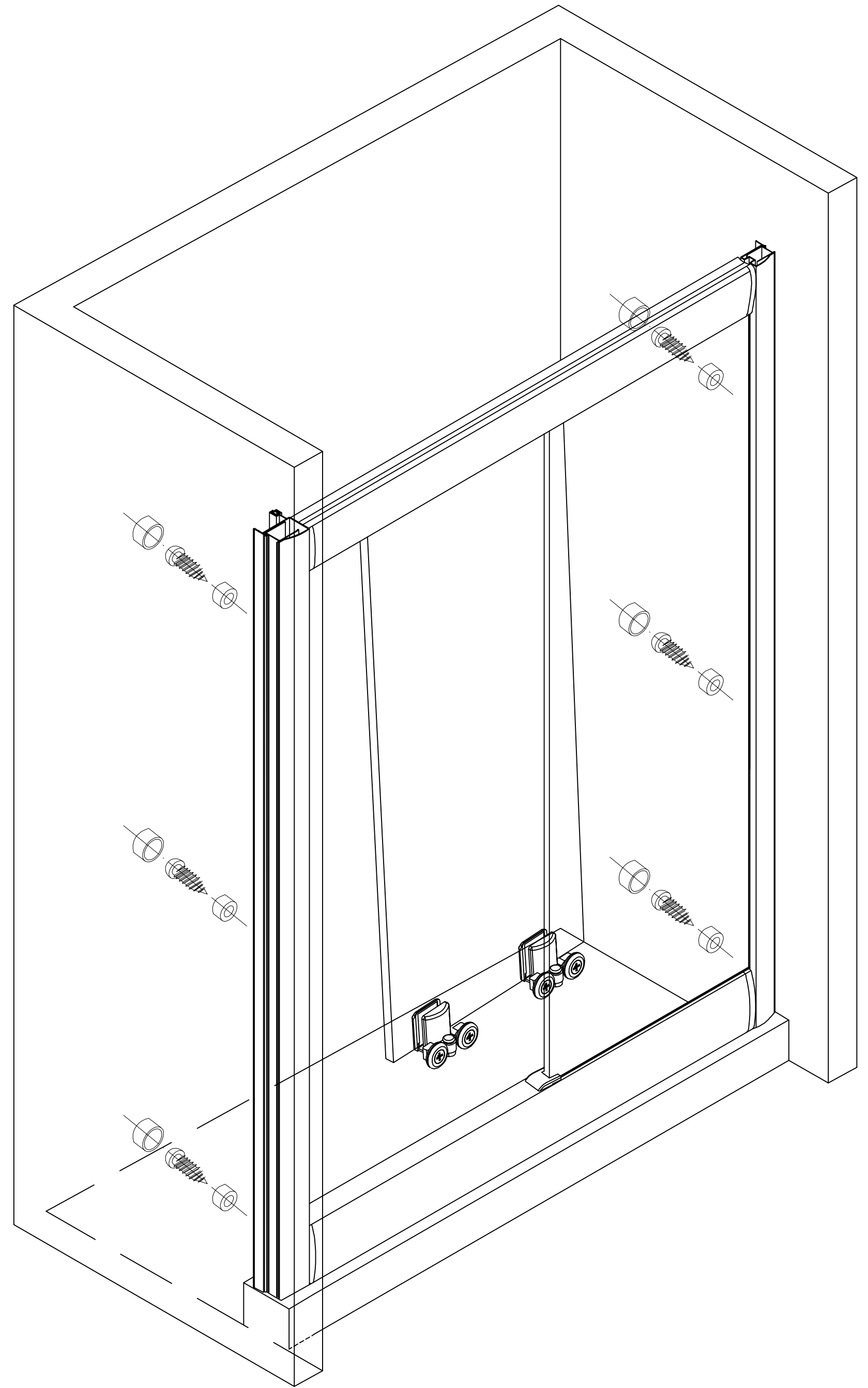
1. Drill the hole one Wall brakct(7)&(19) use $\text{Ø}1/8''$ drill bit.
2. Secure wall-mounted bracket(6) and wall bracket(7) &(19) together with self-tapping screw 4*12(2) and washer(3), then cover with screw caps(1).



Left Hand Assembly

STEP 7

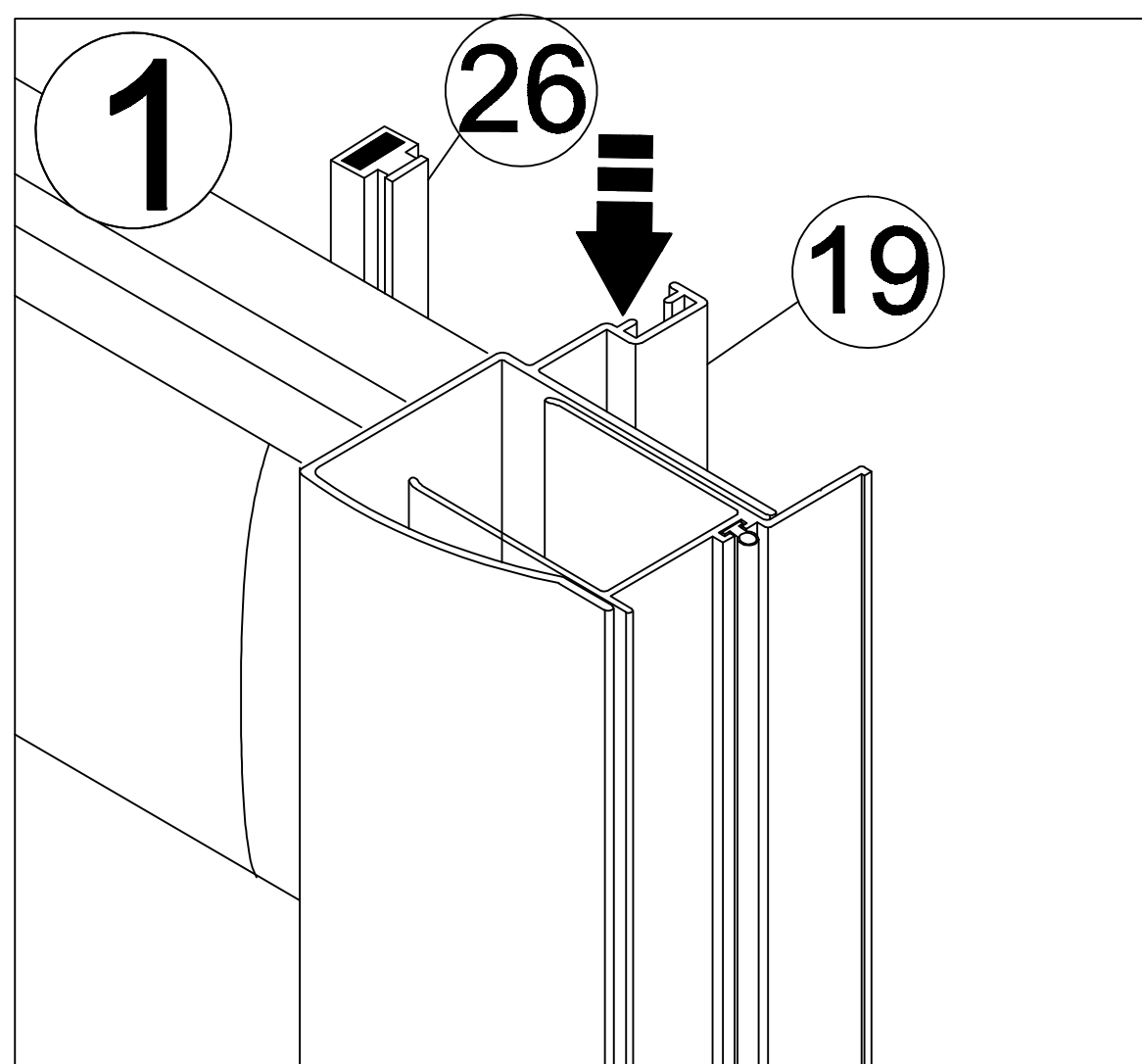
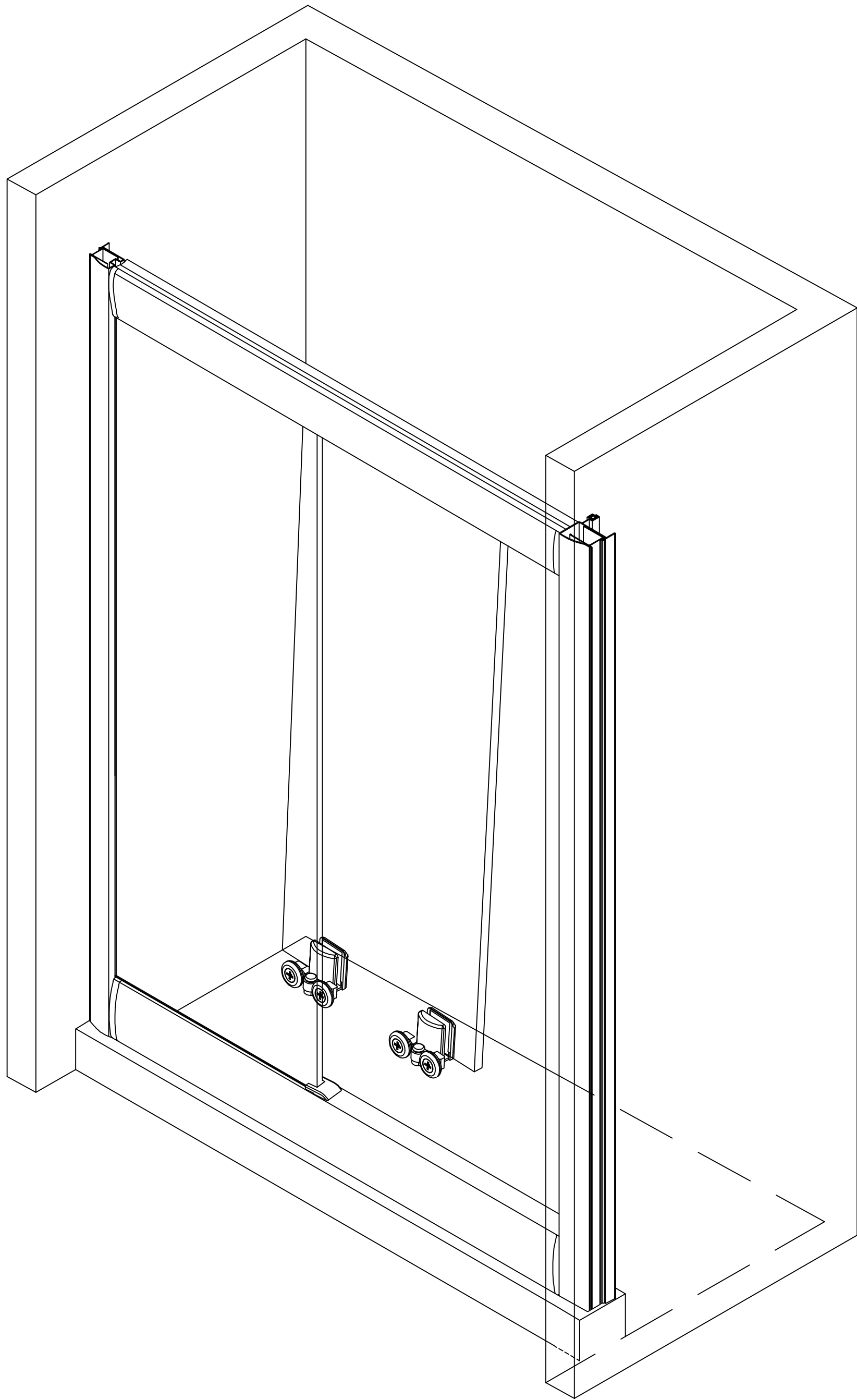
1. Drill the hole one Wall brakct(7)&(19) use $\text{Ø}1/8''$ drill bit.
2. Secure wall-mounted bracket(6) and wall bracket(7) &(19) together with self-tapping screw 4*12(2) and washer(3), then cover with screw caps(1).



Left Hand Assembly

STEP 8

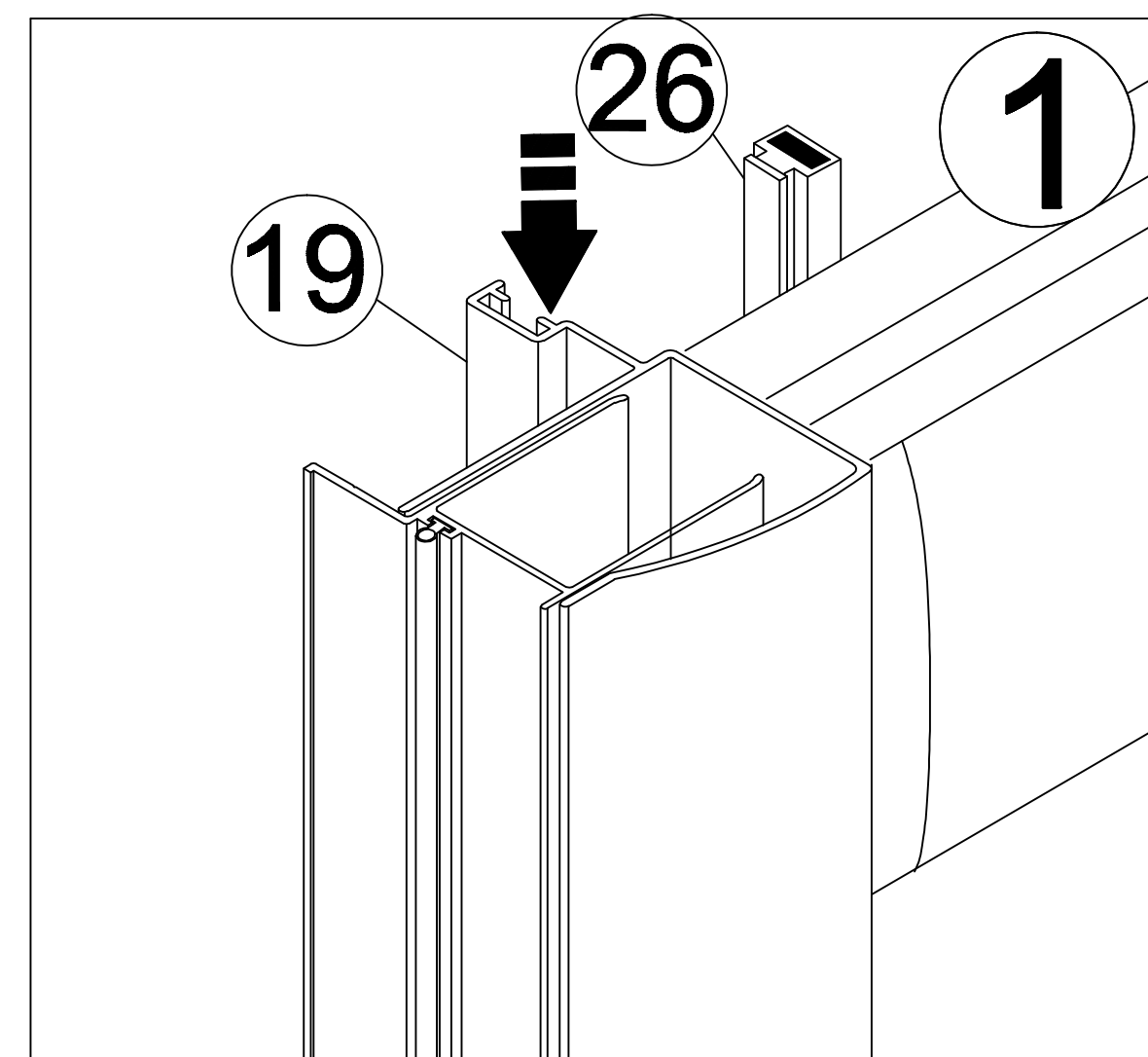
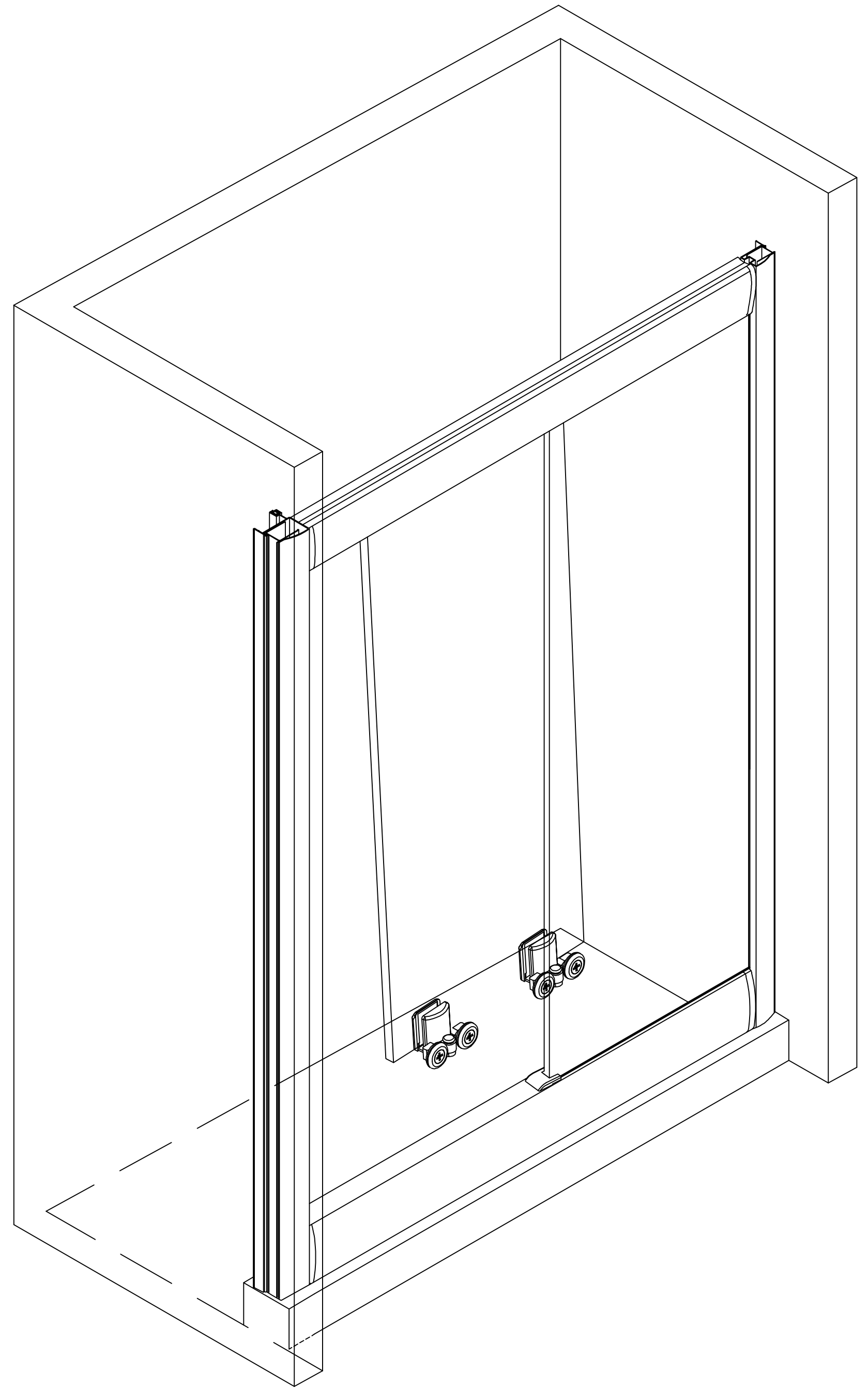
1. Insert Magnetic strip(26) into the Wide wall bracket(19).



Left Hand Assembly

STEP 8

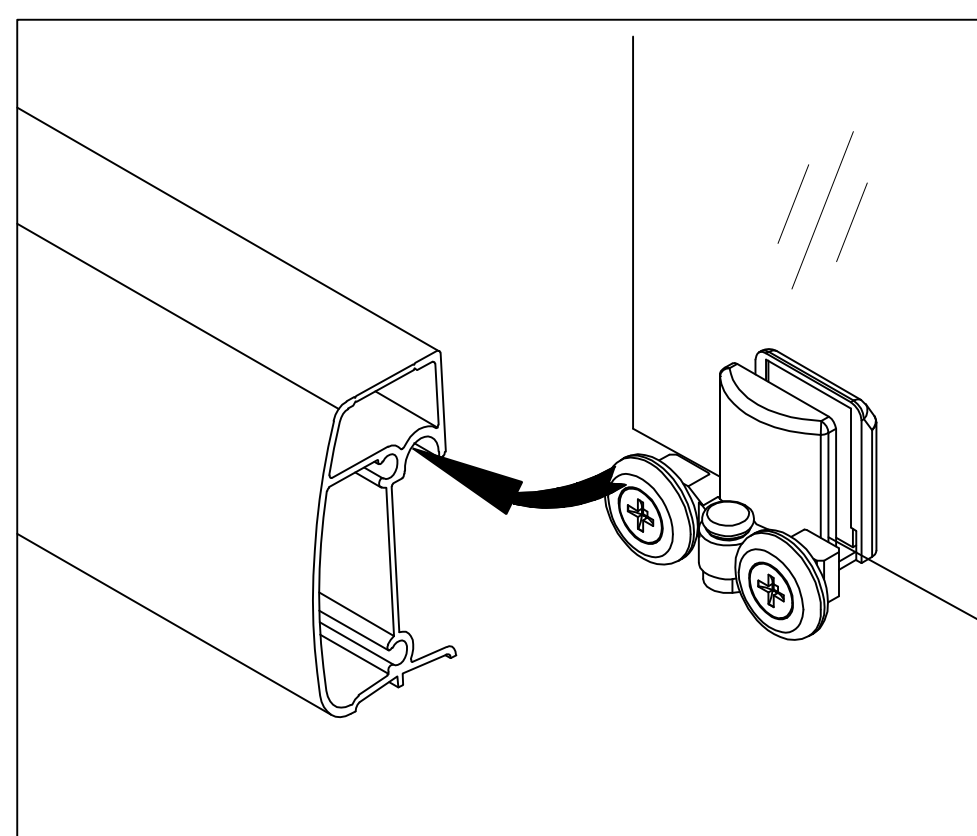
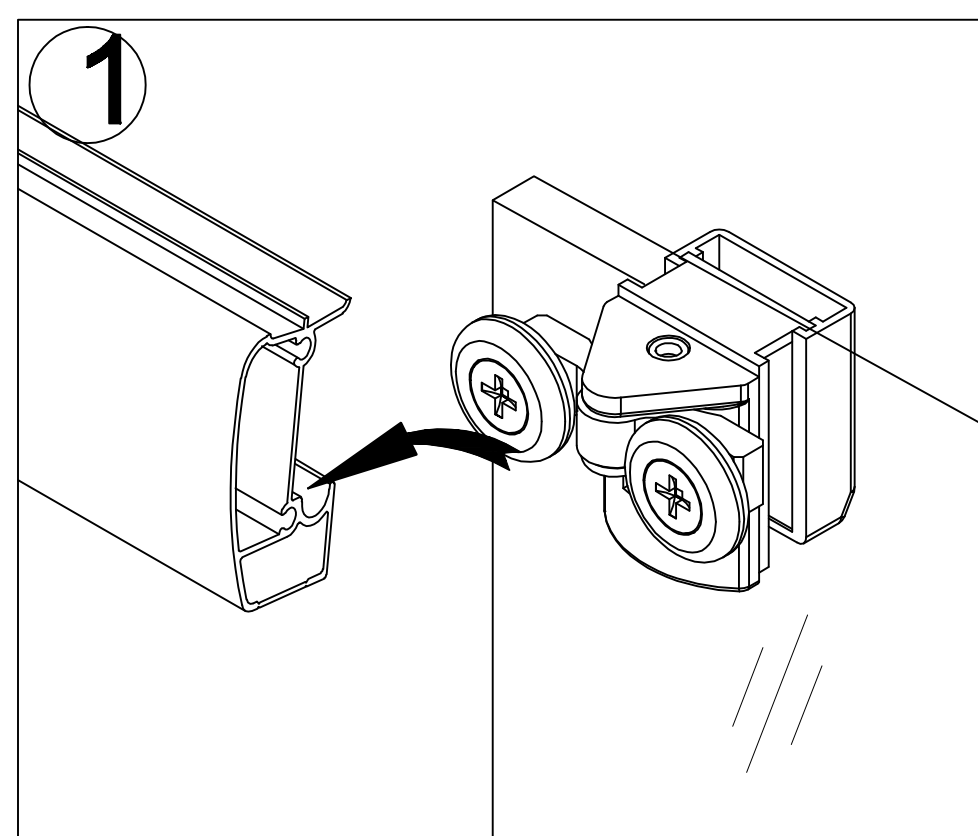
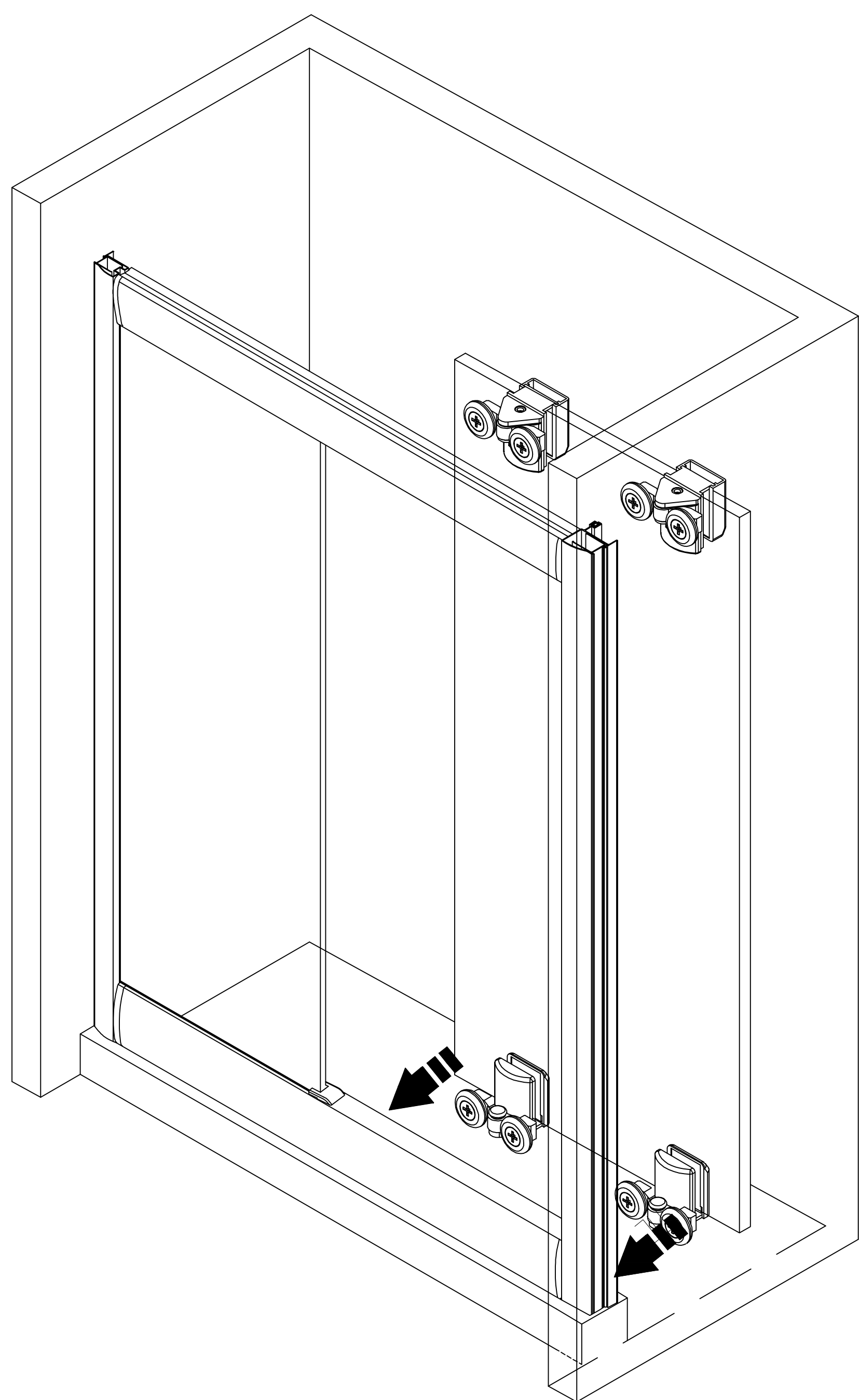
1. Insert Magnetic strip(26) into the Wide wall bracket(19).



Left Hand Assembly

STEP 9

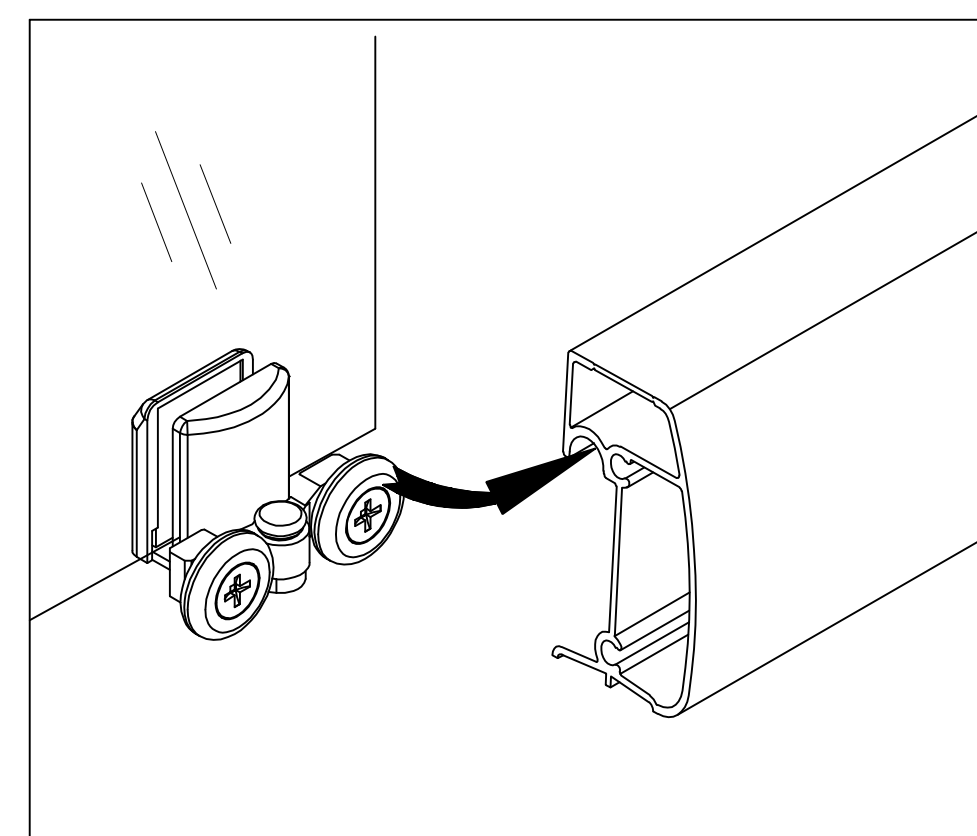
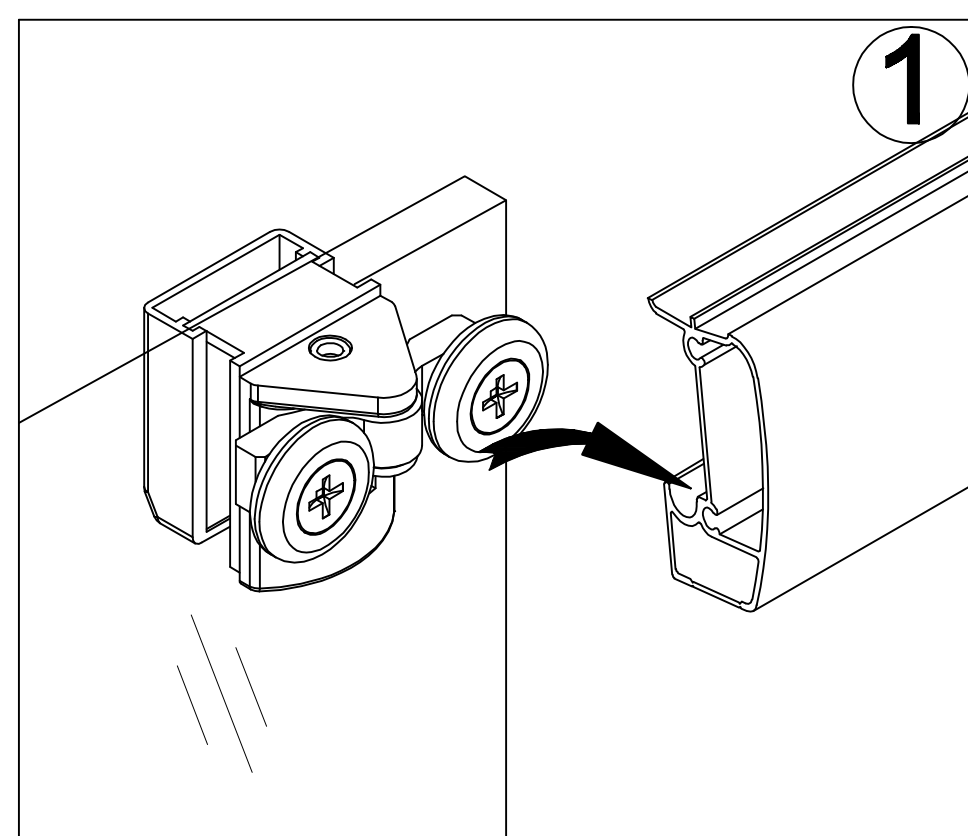
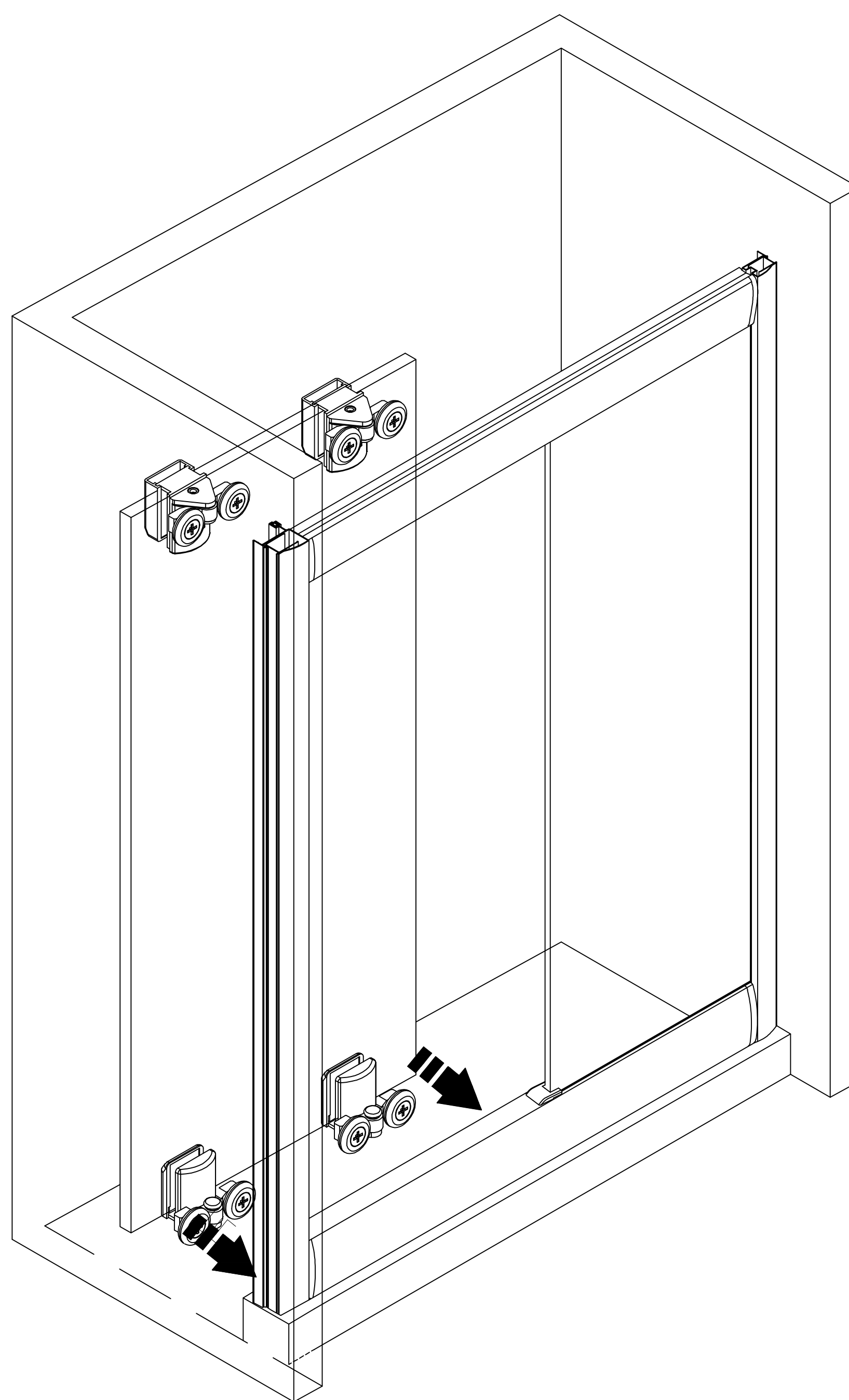
1. Install movable door with roller assembled onto shower door track(14), make sure rollers are fit in the slots of both shower door tracks(14).



Left Hand Assembly

STEP 9

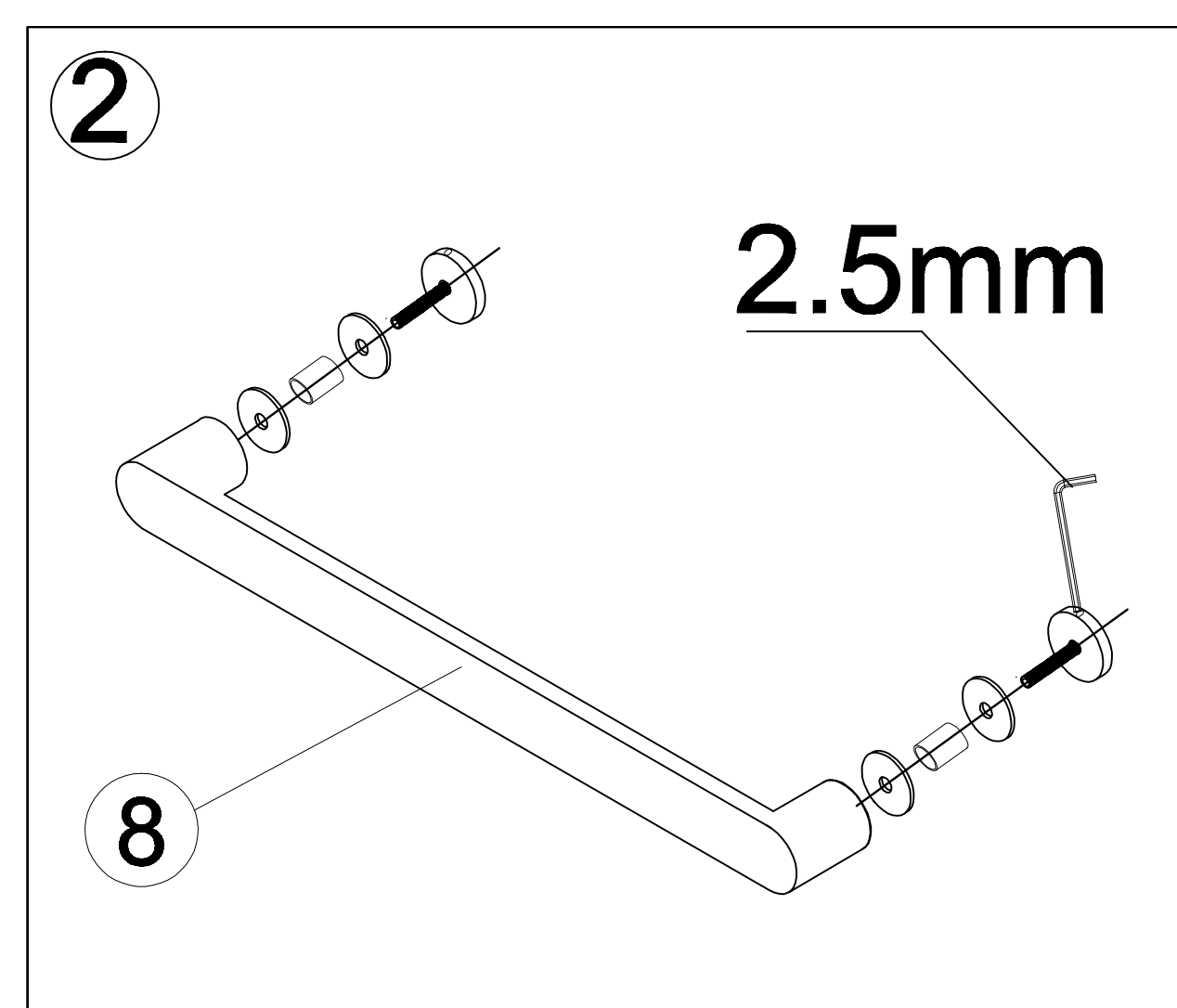
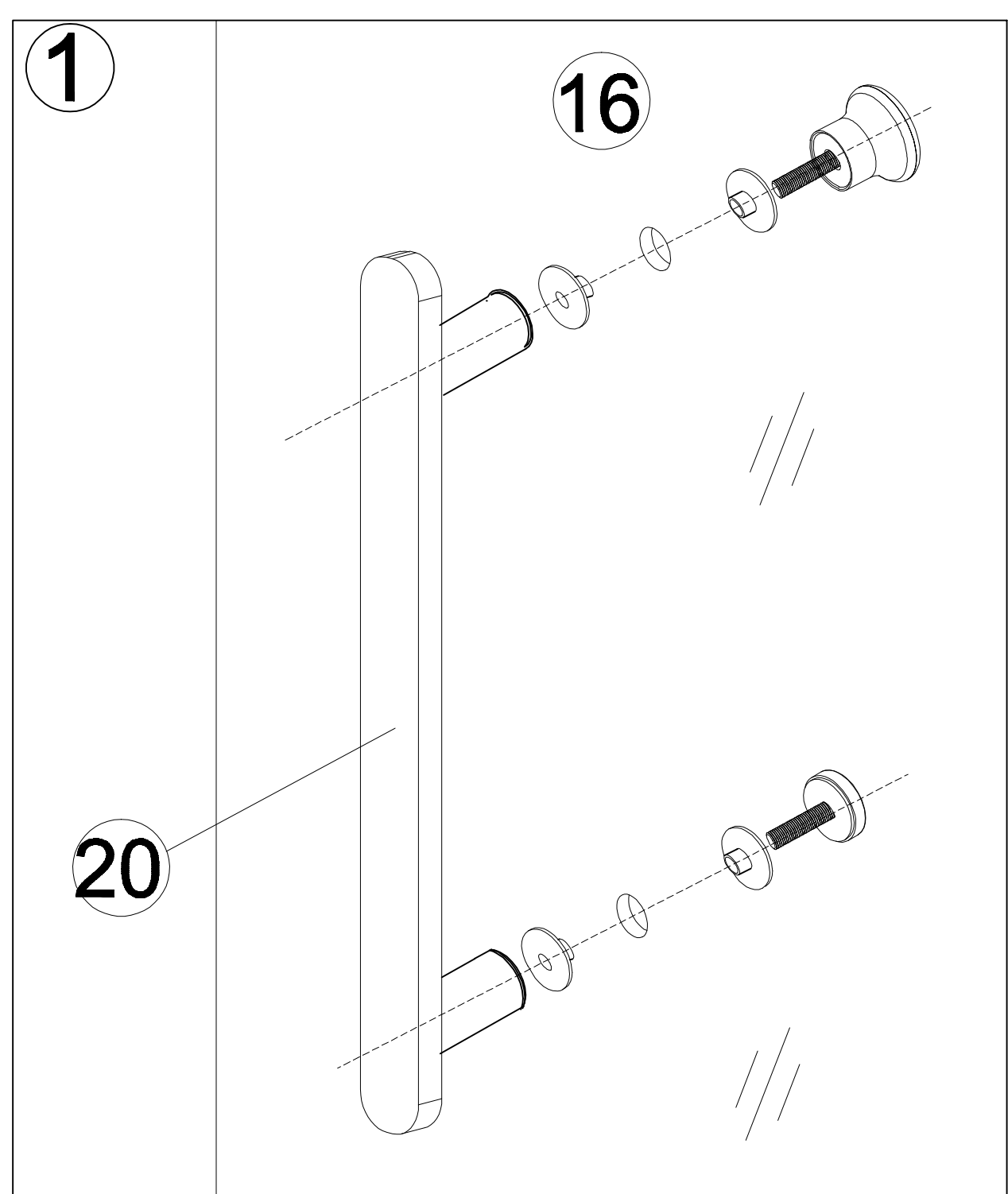
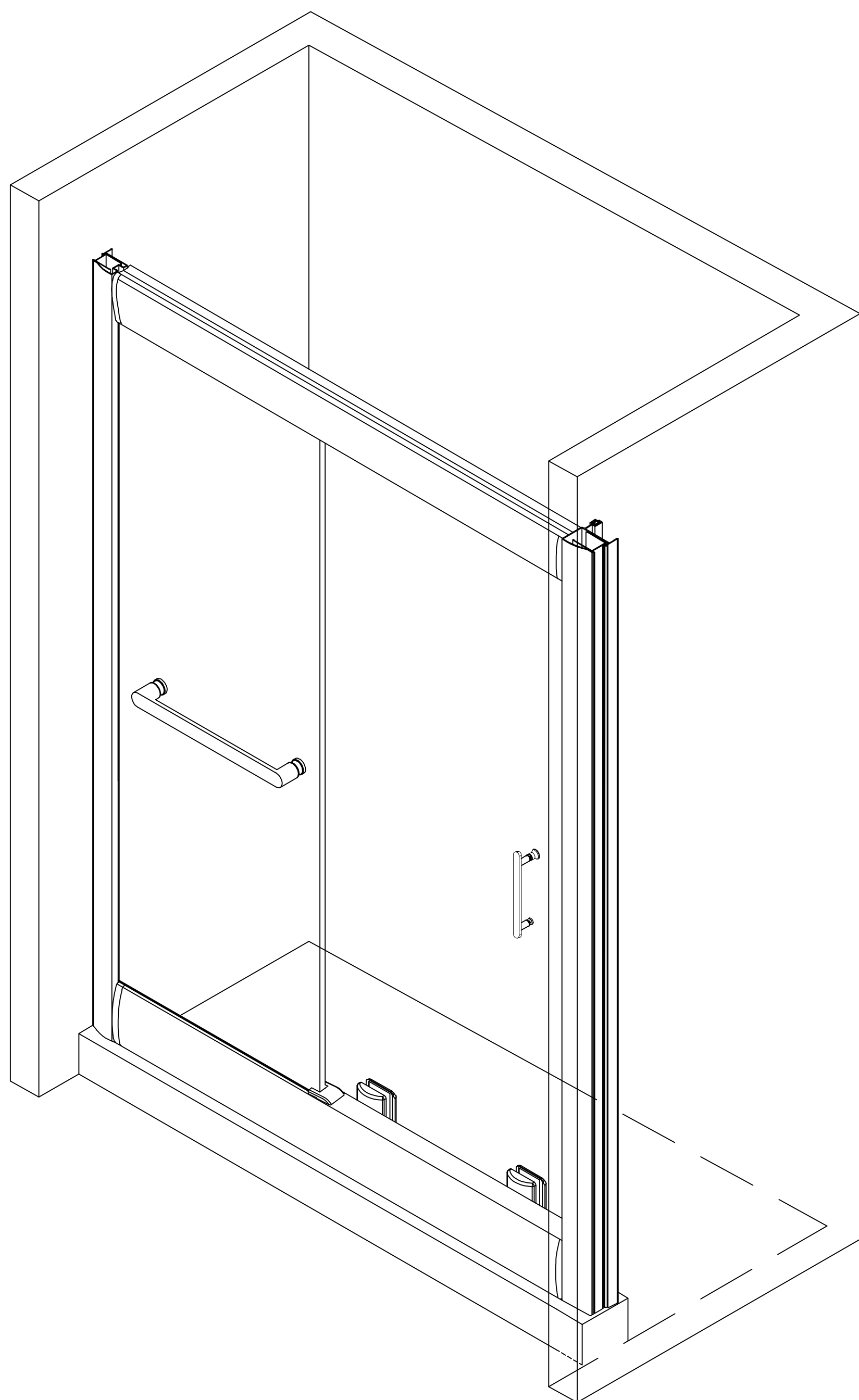
1. Install movable door with roller assembled onto shower door track(14), make sure rollers are fit in the slots of both shower door tracks(14).



Left Hand Assembly

STEP 10

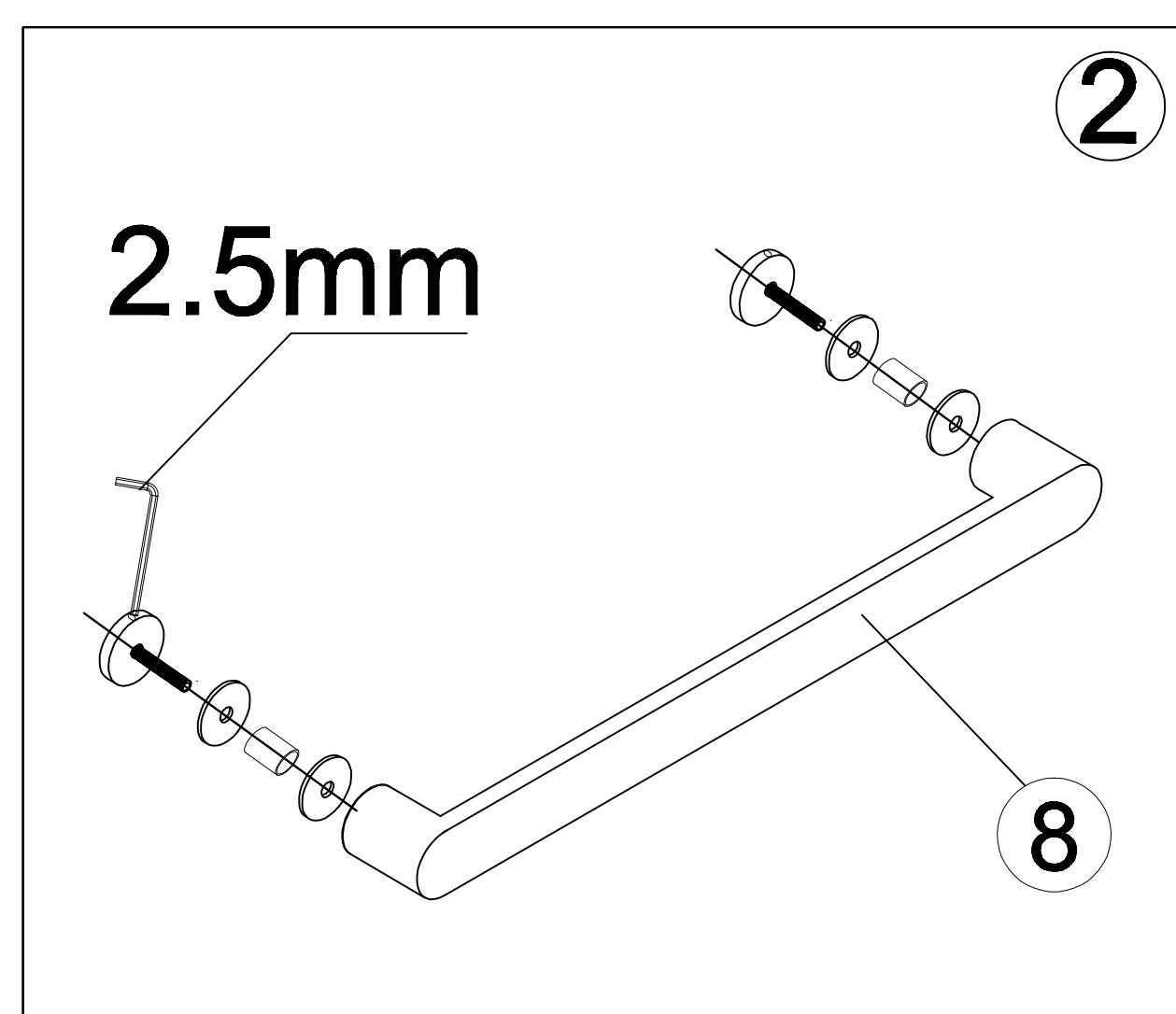
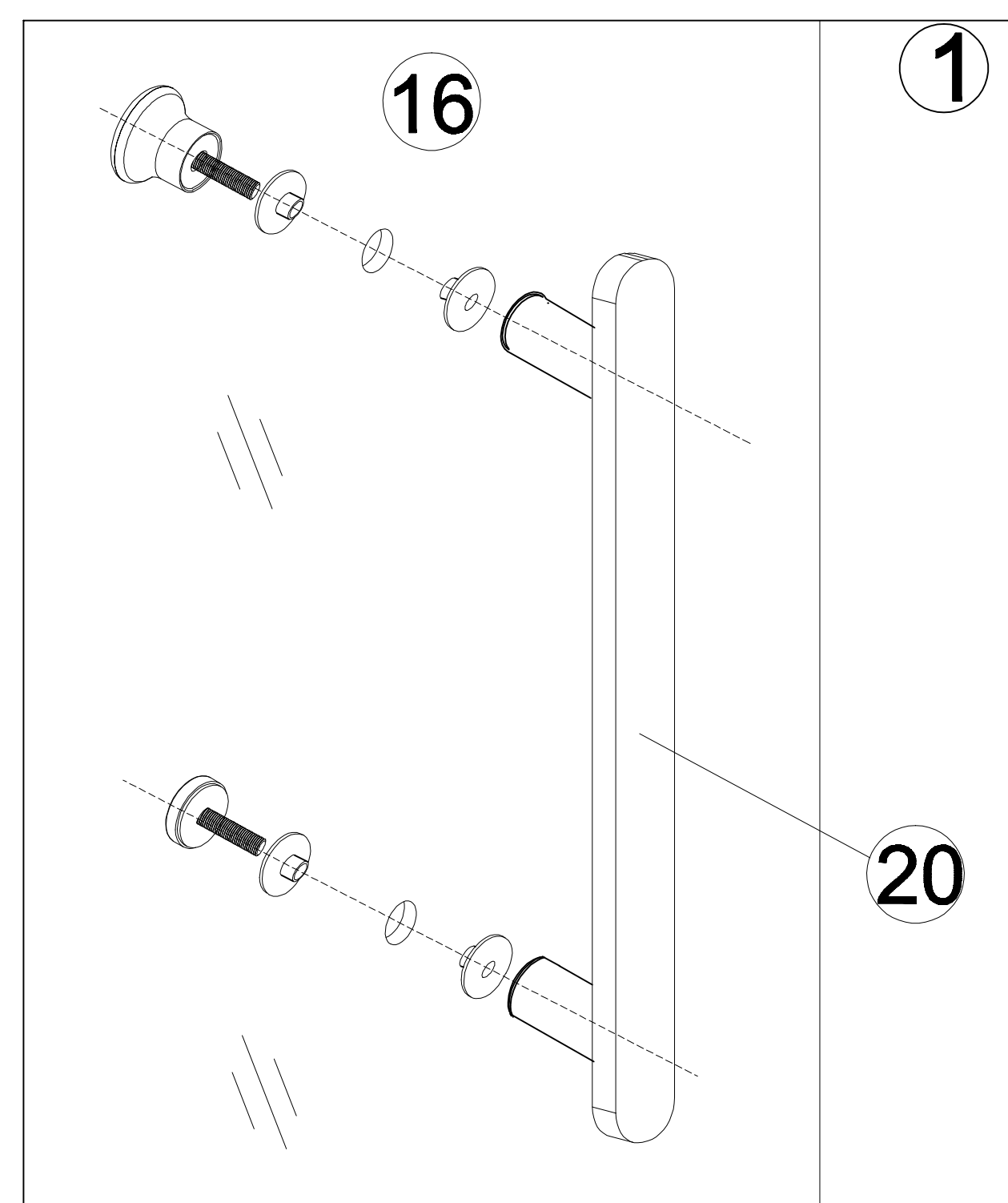
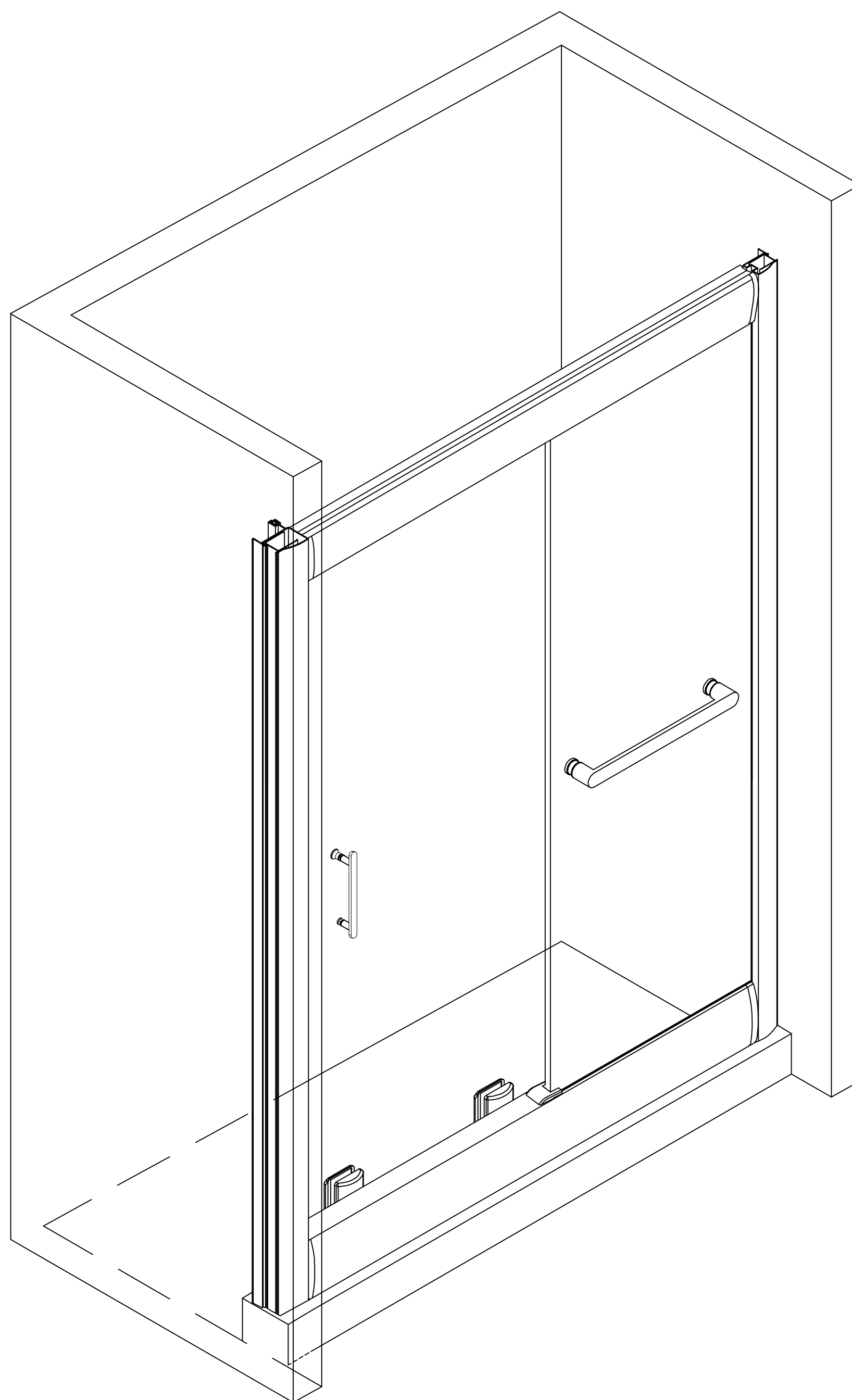
1. Install handle(20) onto movable door(16).
2. Install towel bar(8) onto fixed panel(9).



Left Hand Assembly

STEP 10

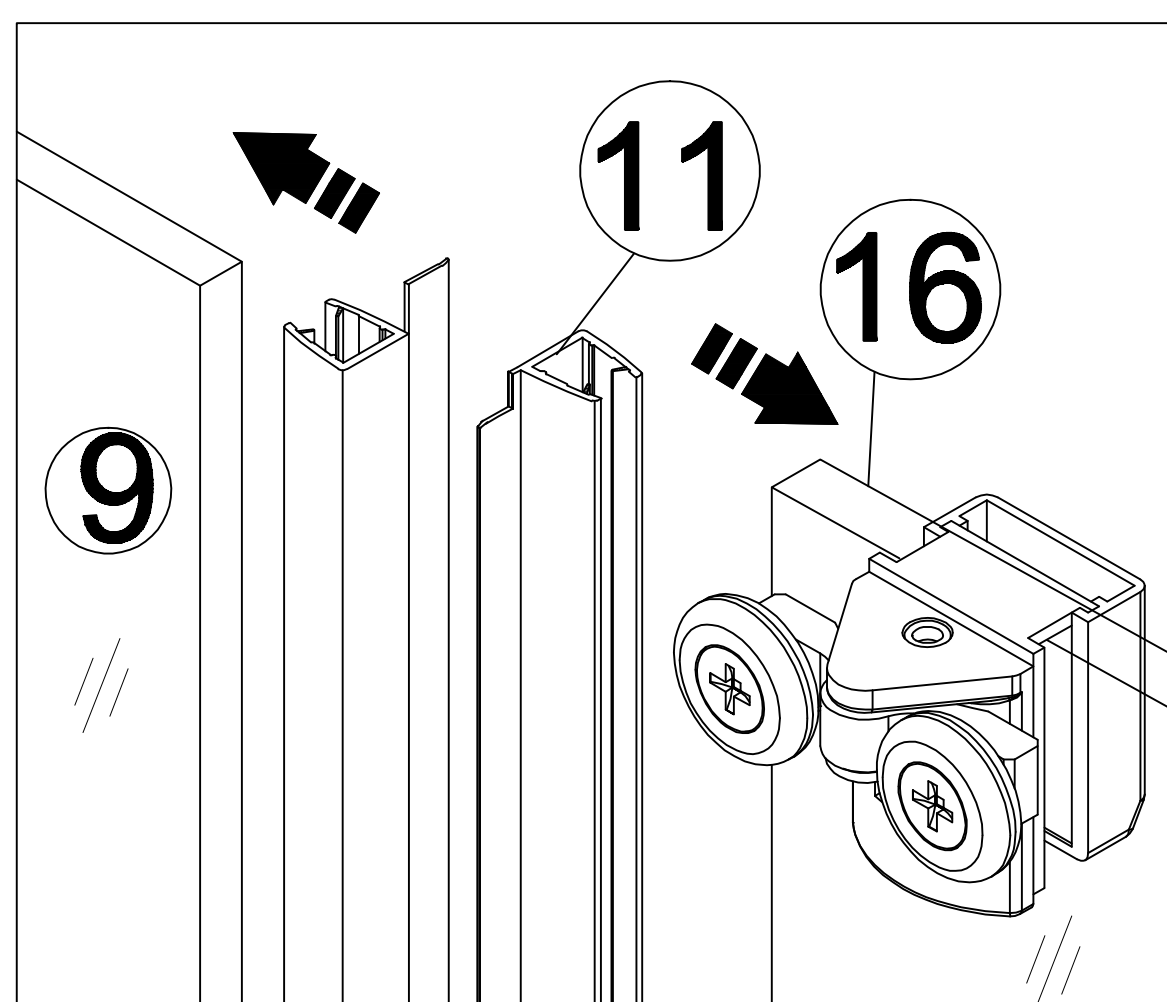
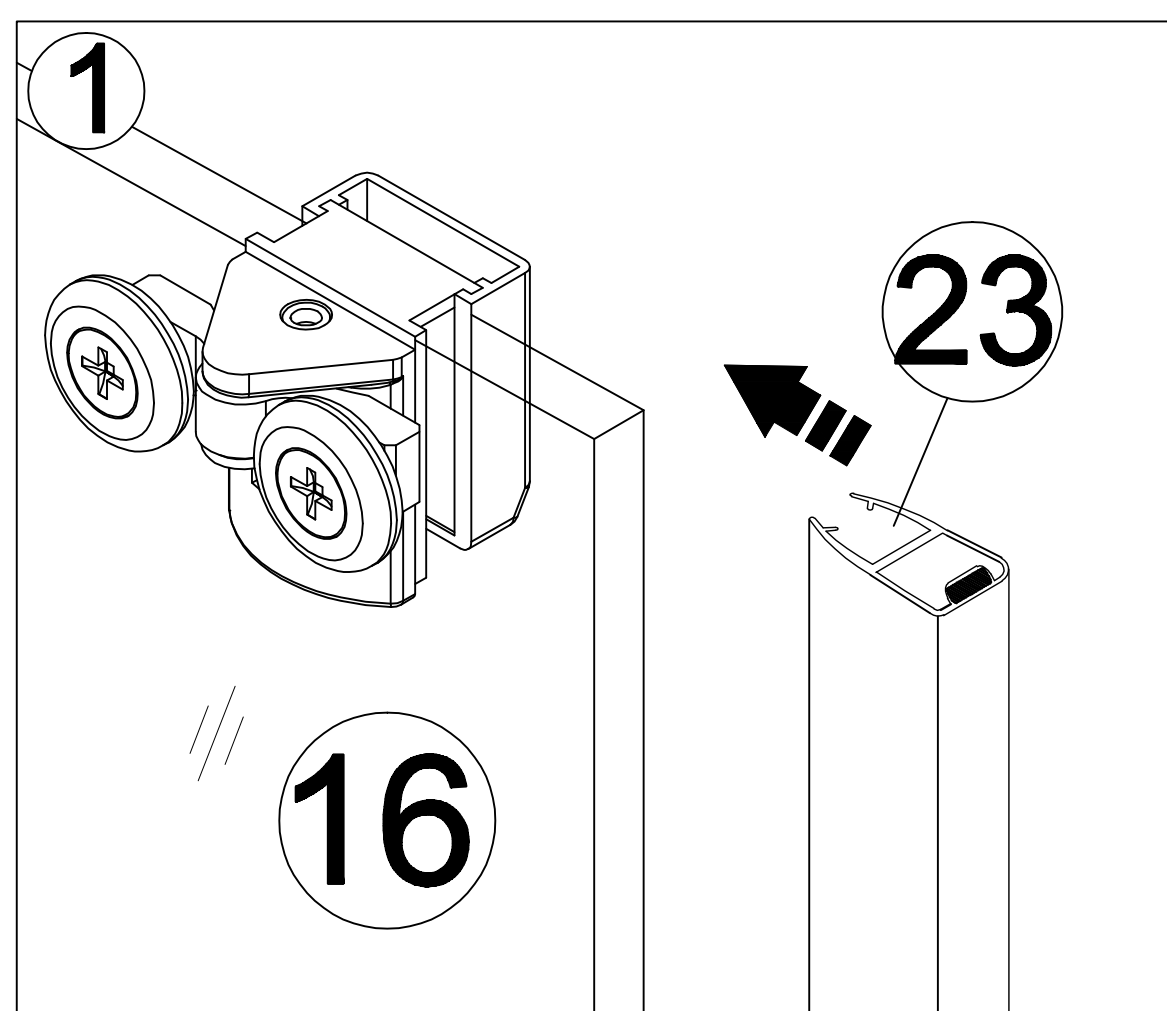
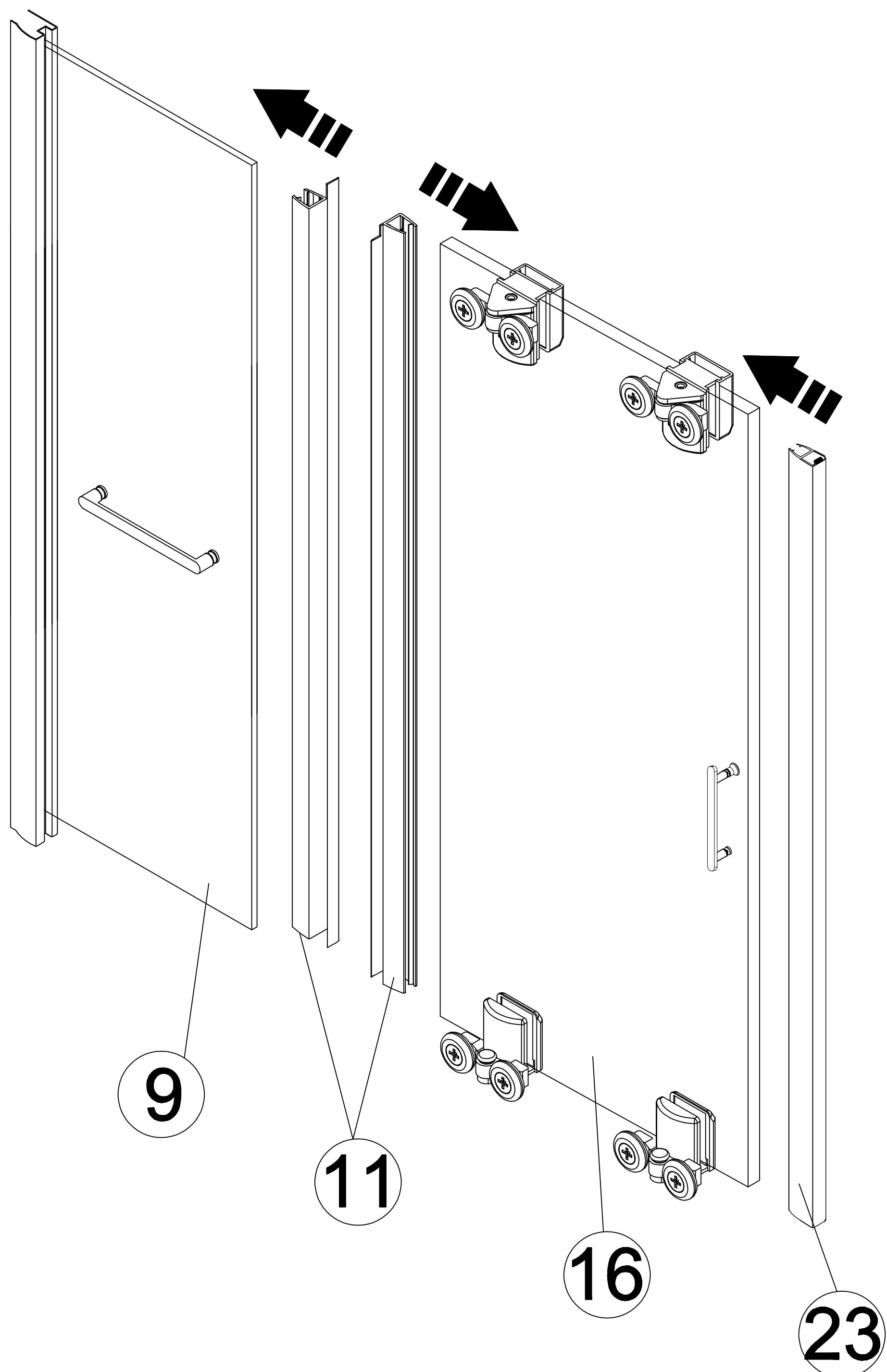
1. Install handle(20) onto movable door(16).
2. Install towel bar(8) onto fixed panel(9).



Left Hand Assembly

STEP 11

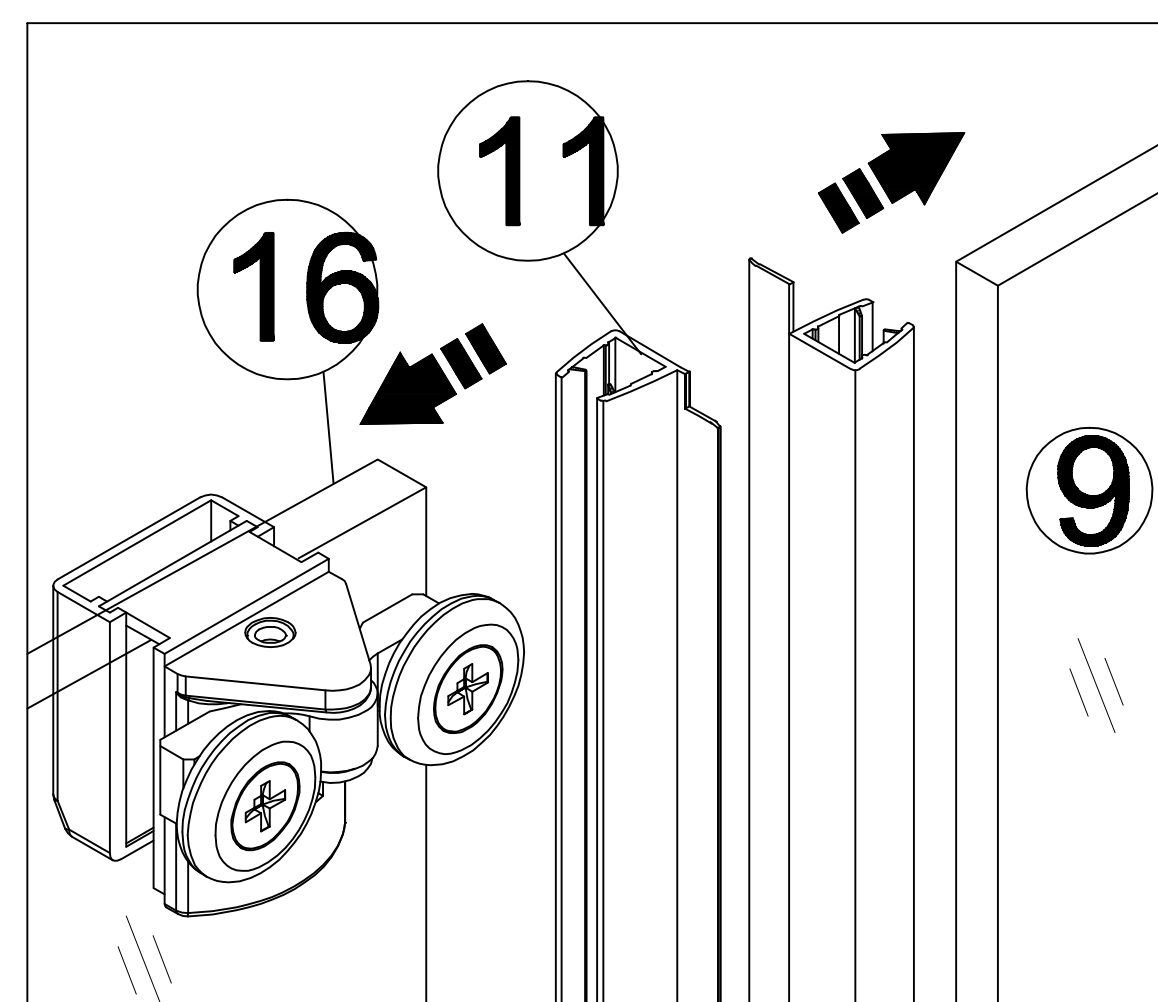
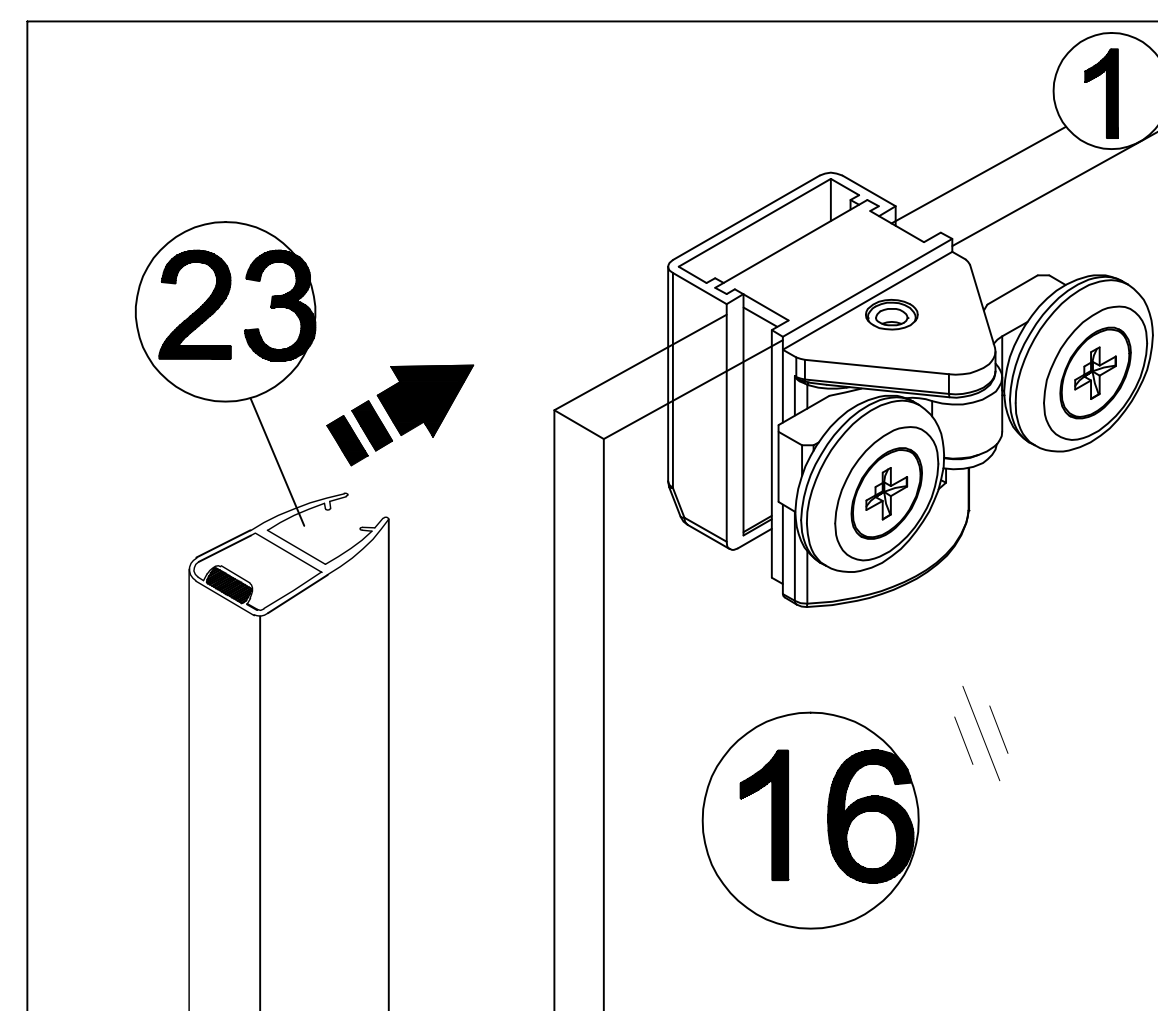
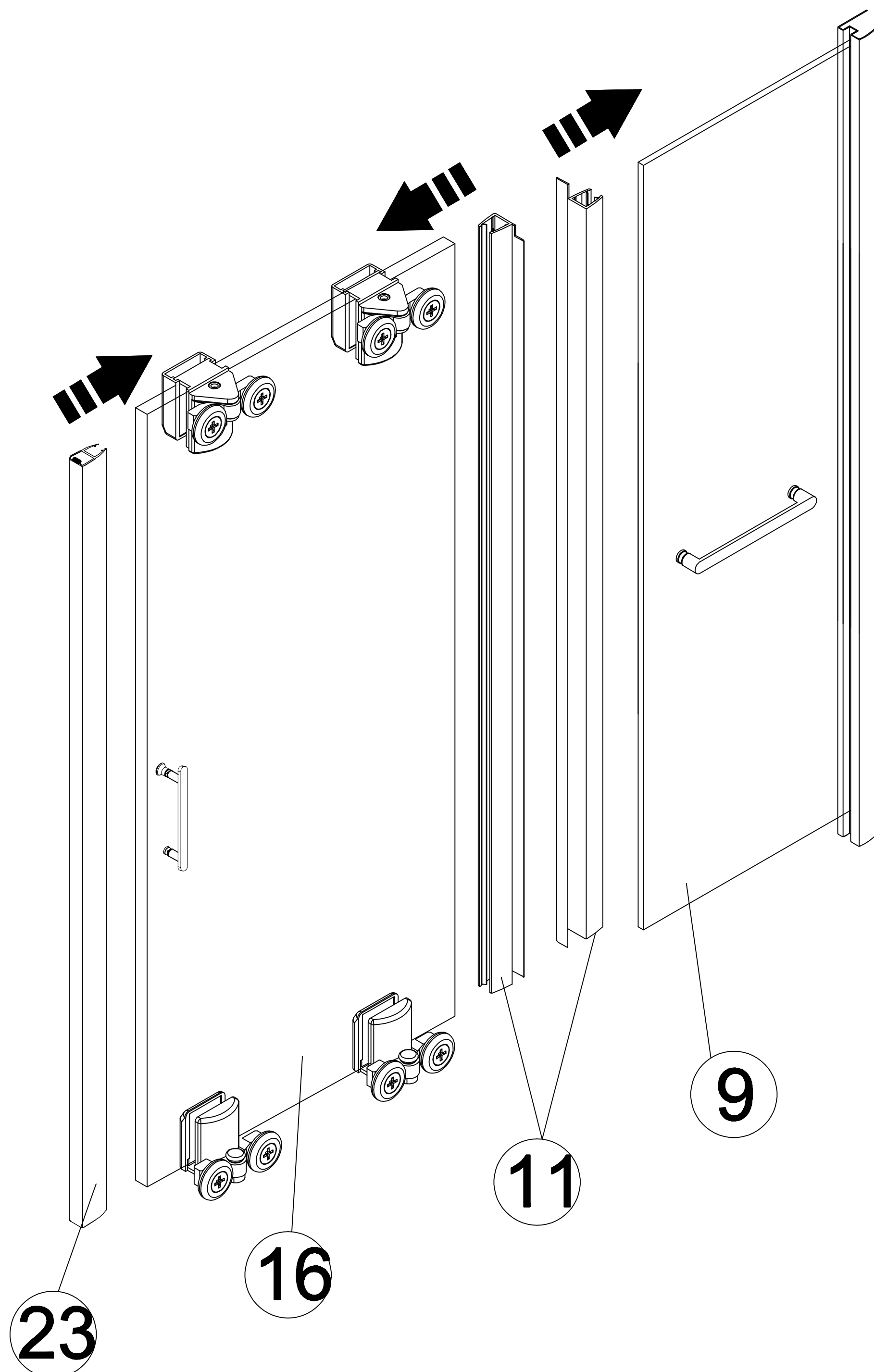
1. Put water retaining gasket(11) on the fixed panel(9) and movable door(16), and install magnetic strip(23) on the movable door(16).



Left Hand Assembly

STEP 11

1. Put water retaining gasket(11) on the fixed panel(9) and movable door(16), and install magnetic strip(23) on the movable door(16).

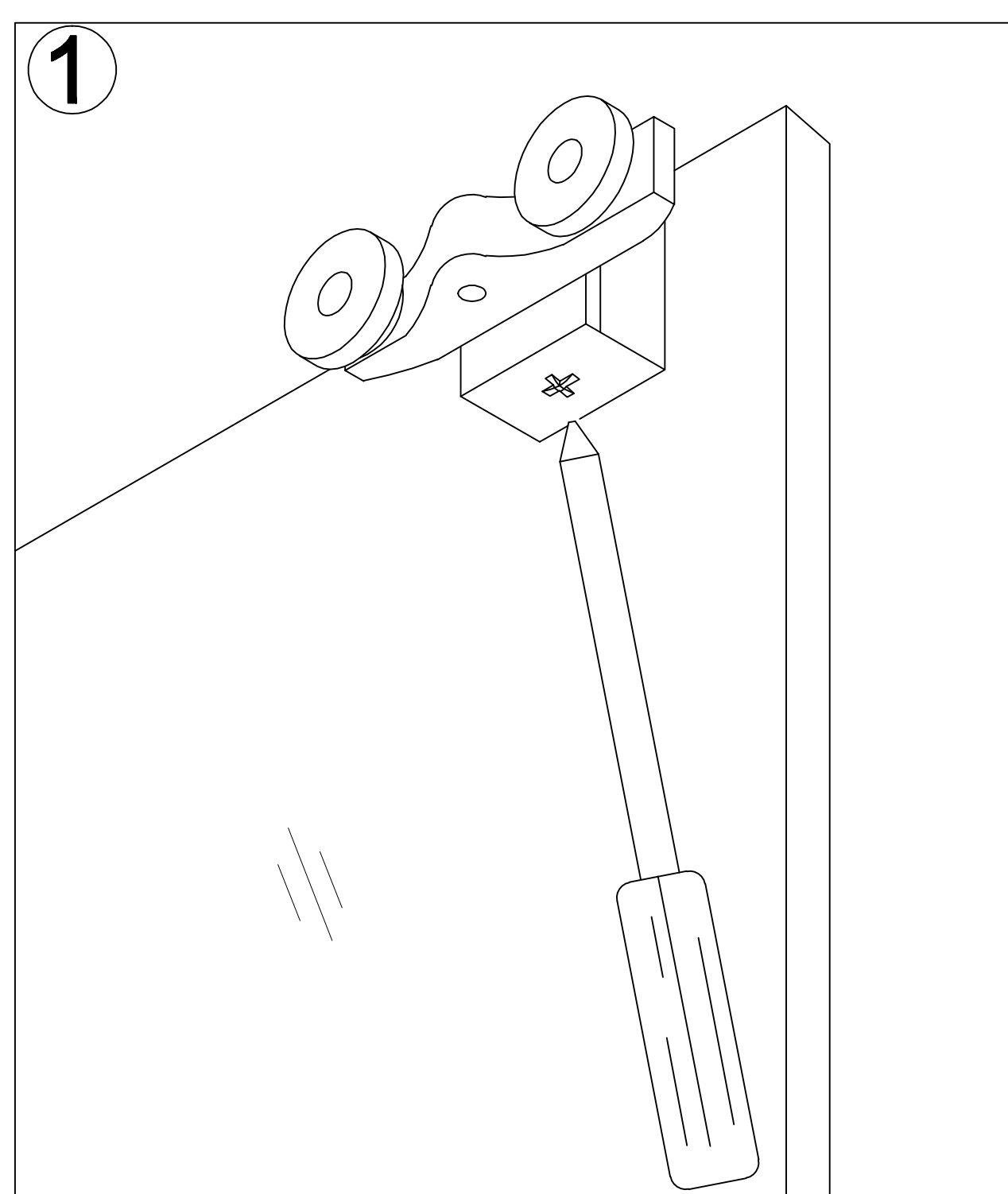
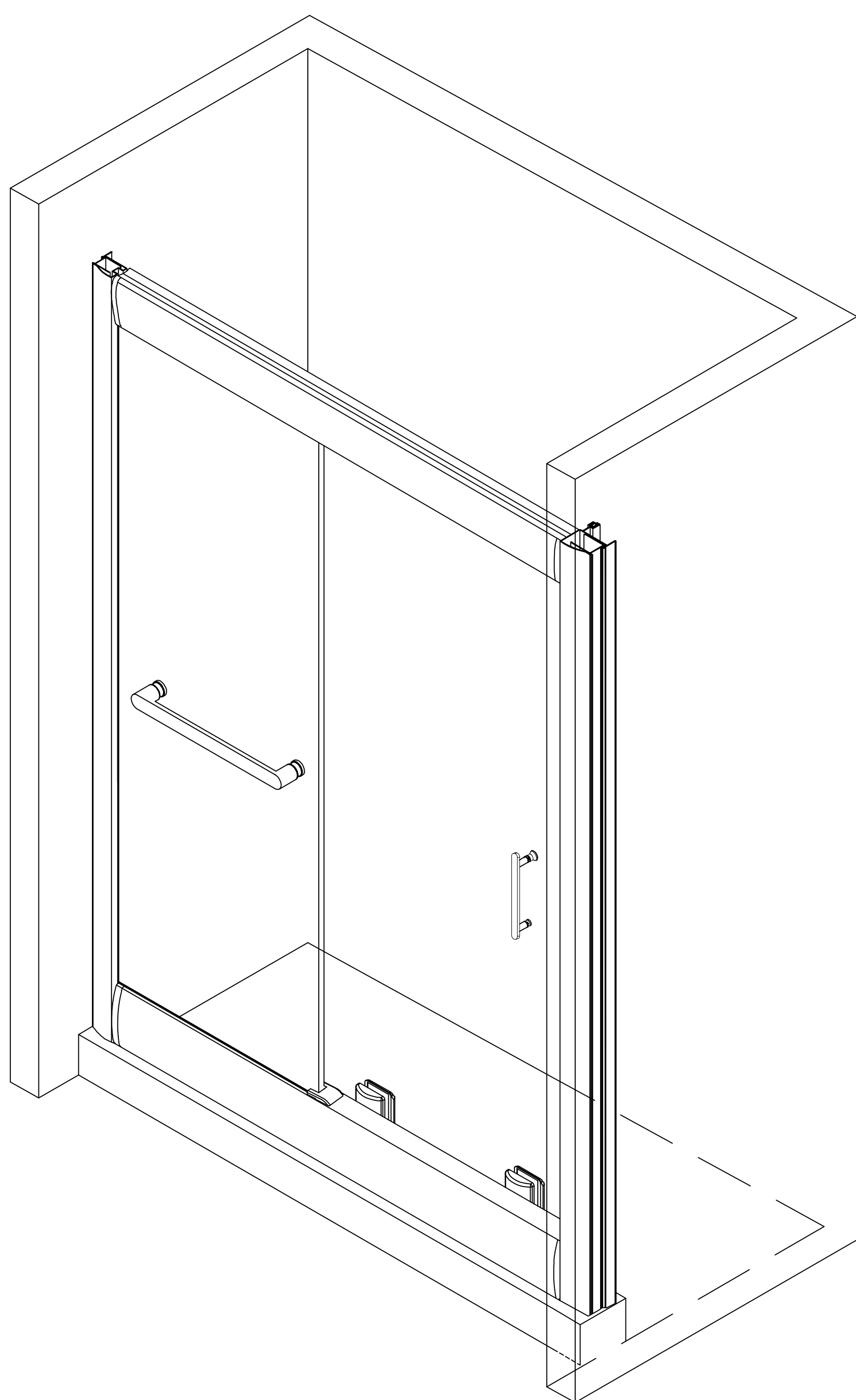


Left Hand Assembly

STEP 12

1. Try sliding the doors and make sure the doors move stably and little gap between magnetic trips(23) with wide wall bracket(19), adjust the top roller assembly(24) if otherwise.

How to adjust the top rollers: adjust the bottom screw of the roller, slide the doors at the same time and check the gap between the magnetic trips until it's alright.

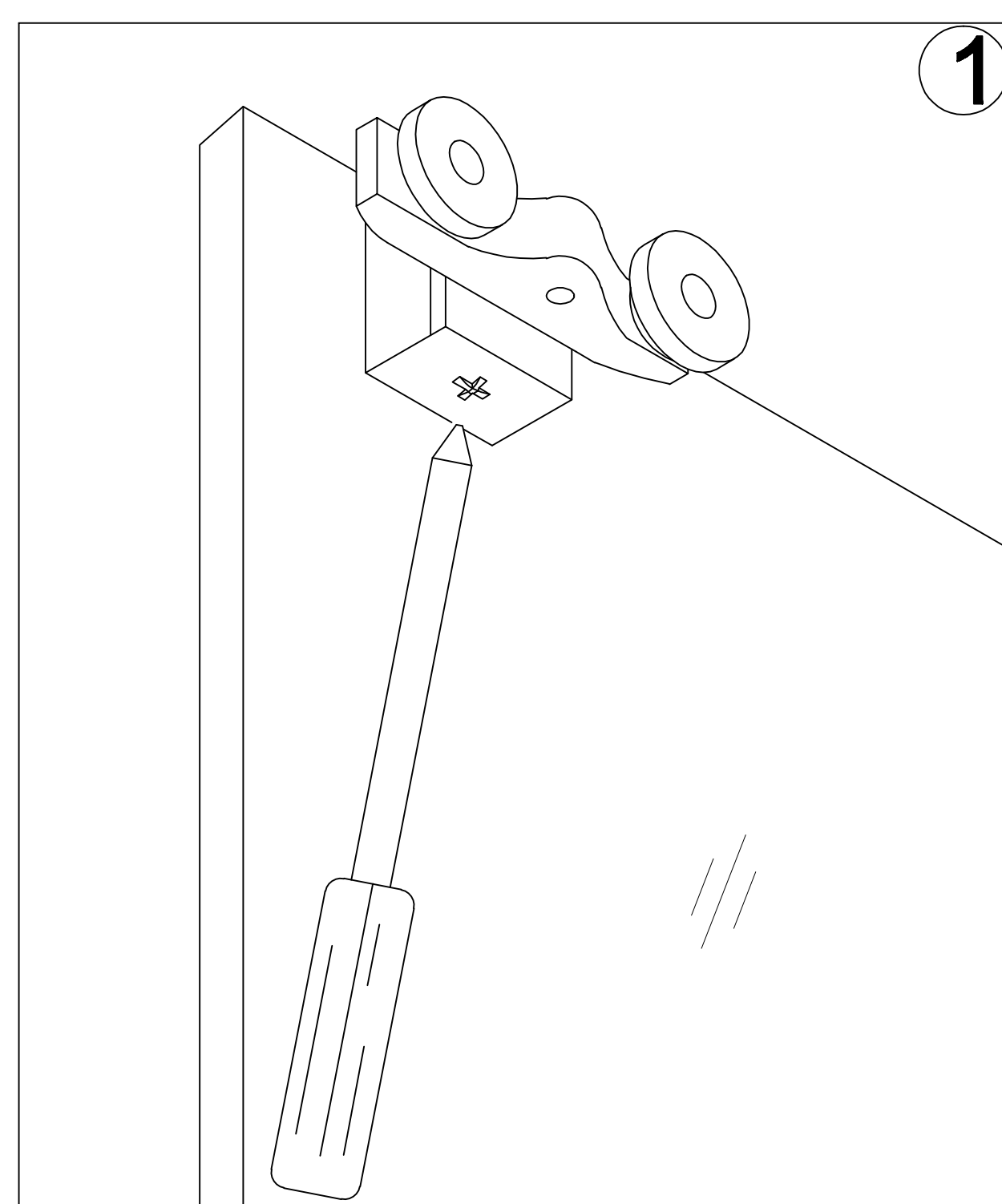
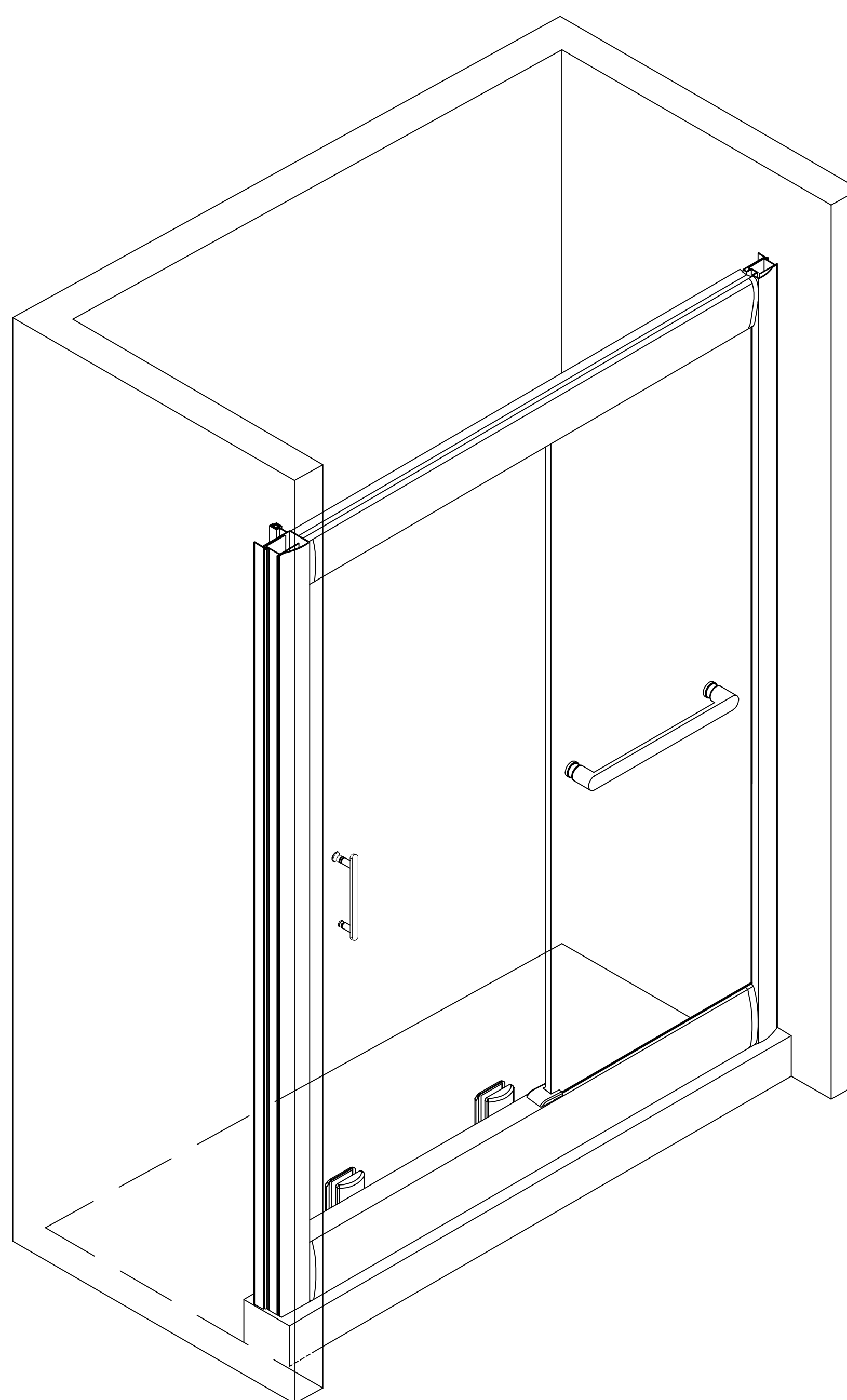


Left Hand Assembly

STEP 12

1. Try sliding the doors and make sure the doors move stably and little gap between magnetic trips(23) with wide wall bracket(19), adjust the top roller assembly(24) if otherwise.

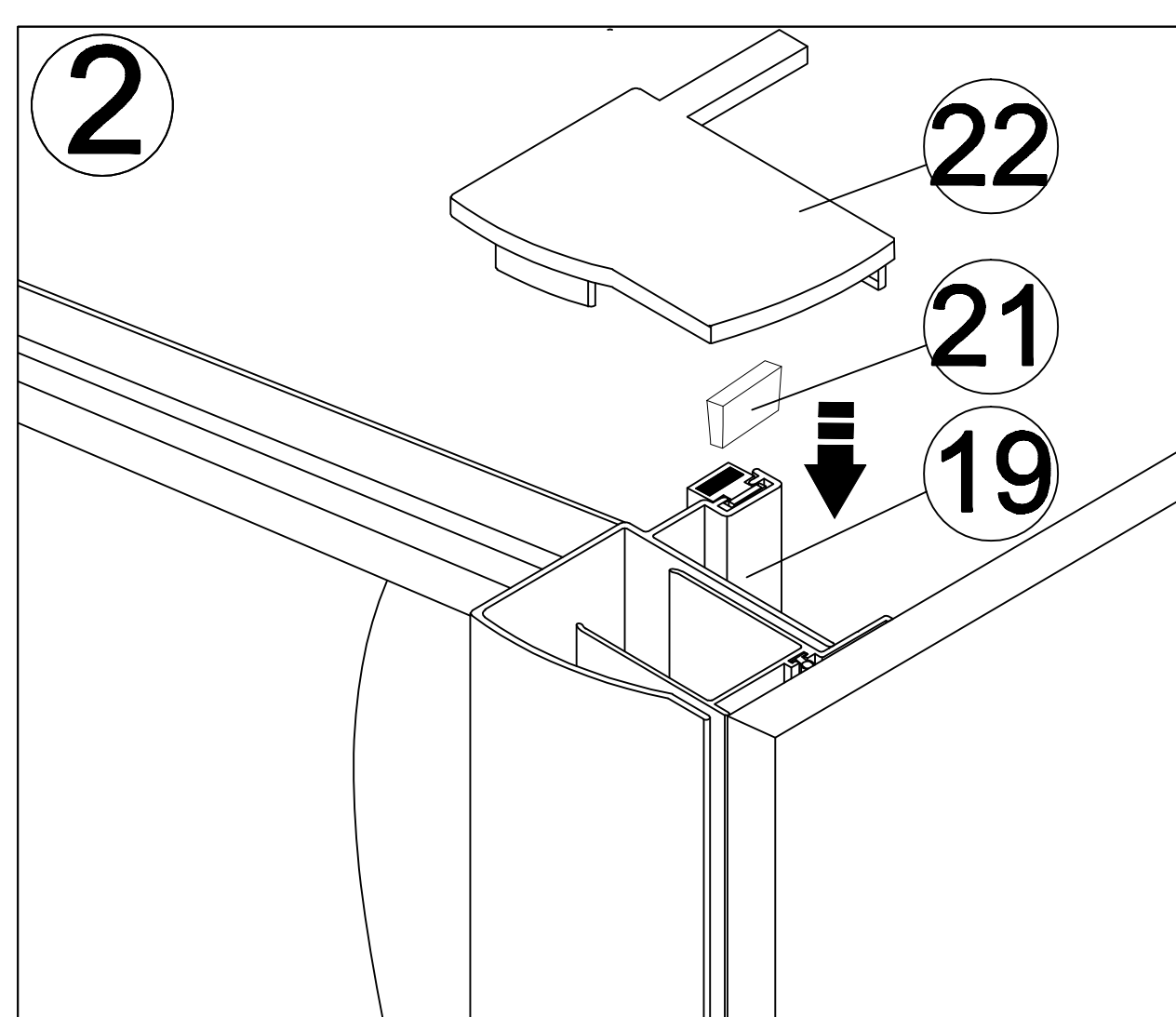
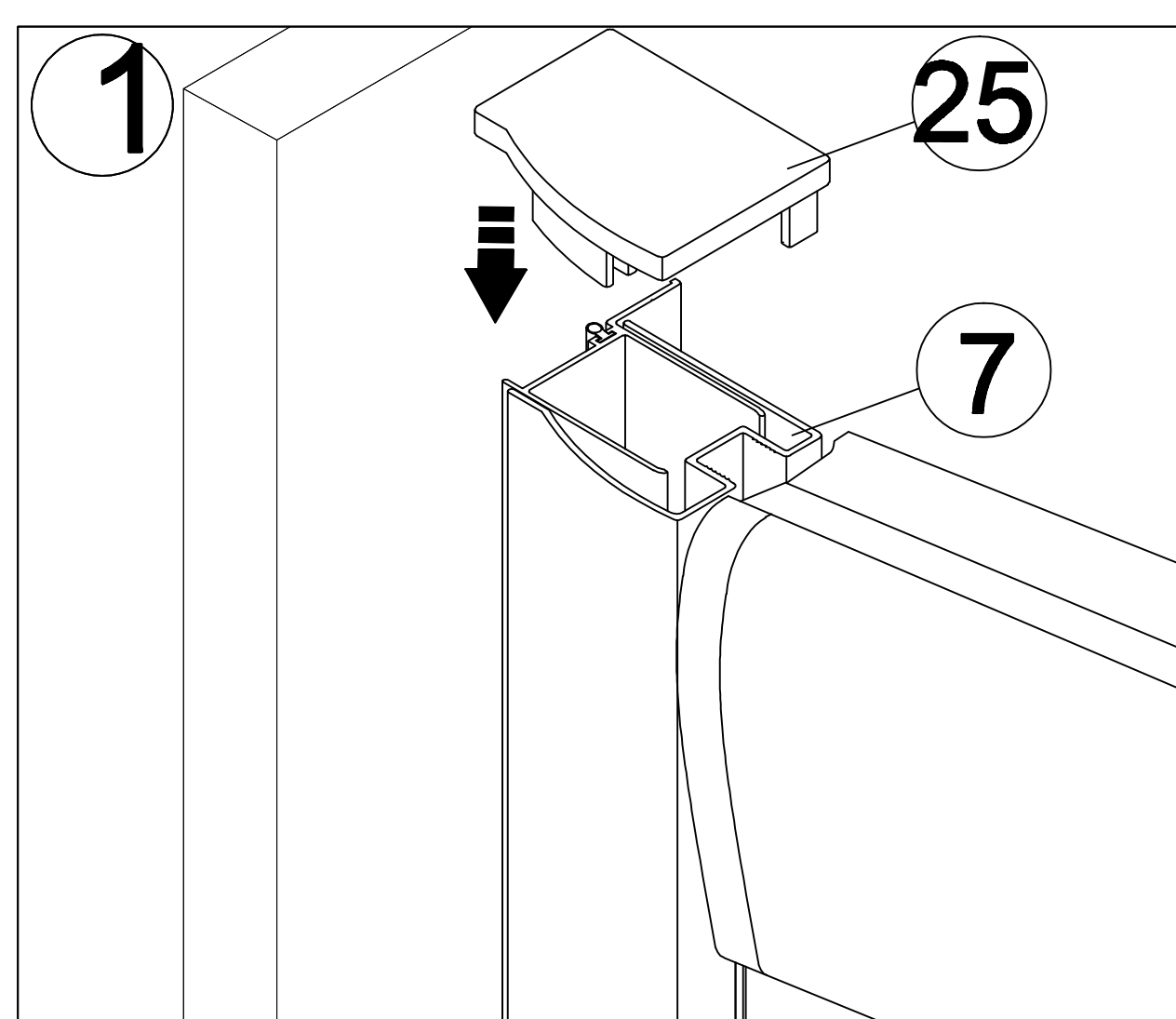
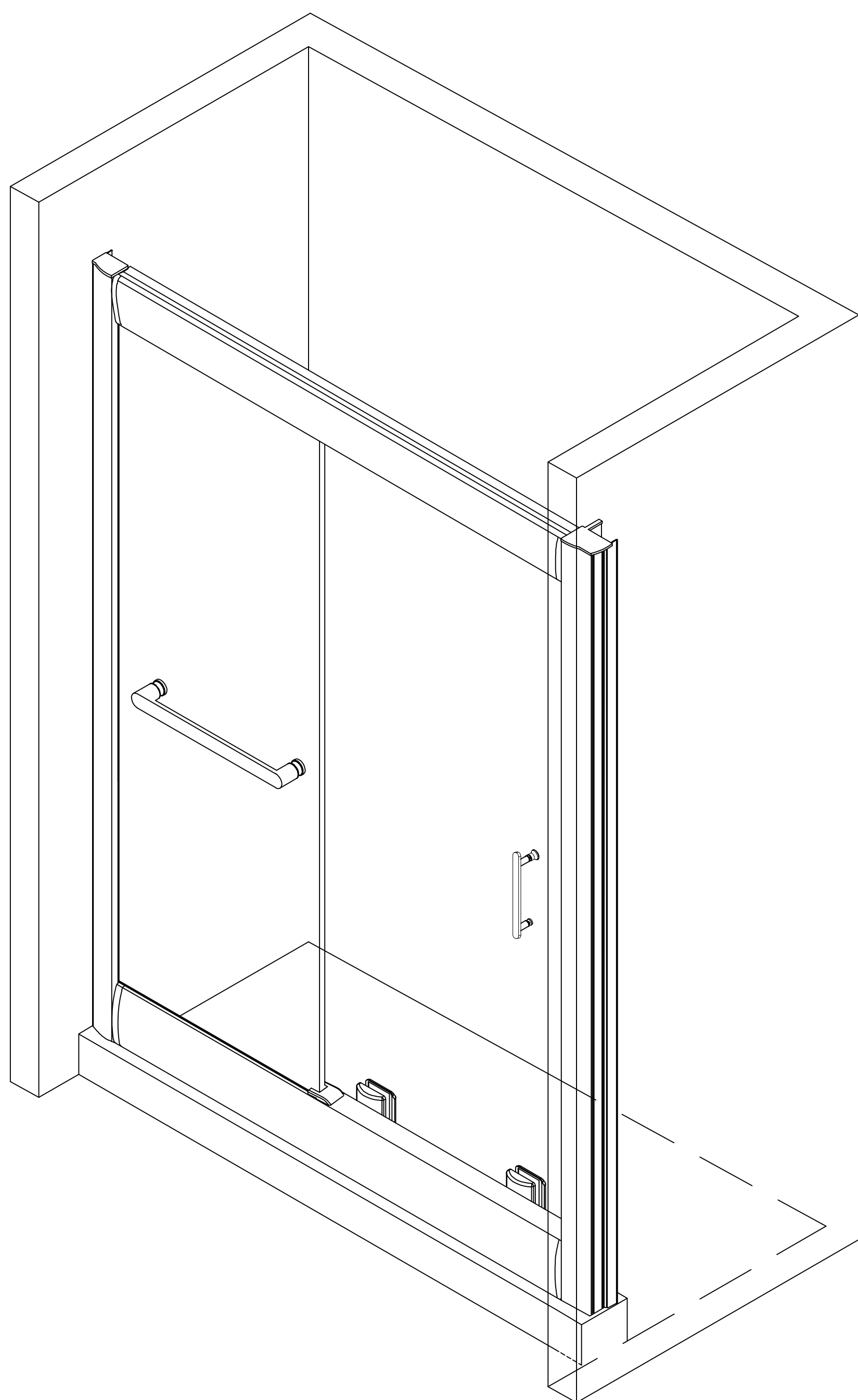
How to adjust the top rollers: adjust the bottom screw of the roller, slide the doors at the same time and check the gap between the magnetic trips until it's alright.



Left Hand Assembly

STEP 13

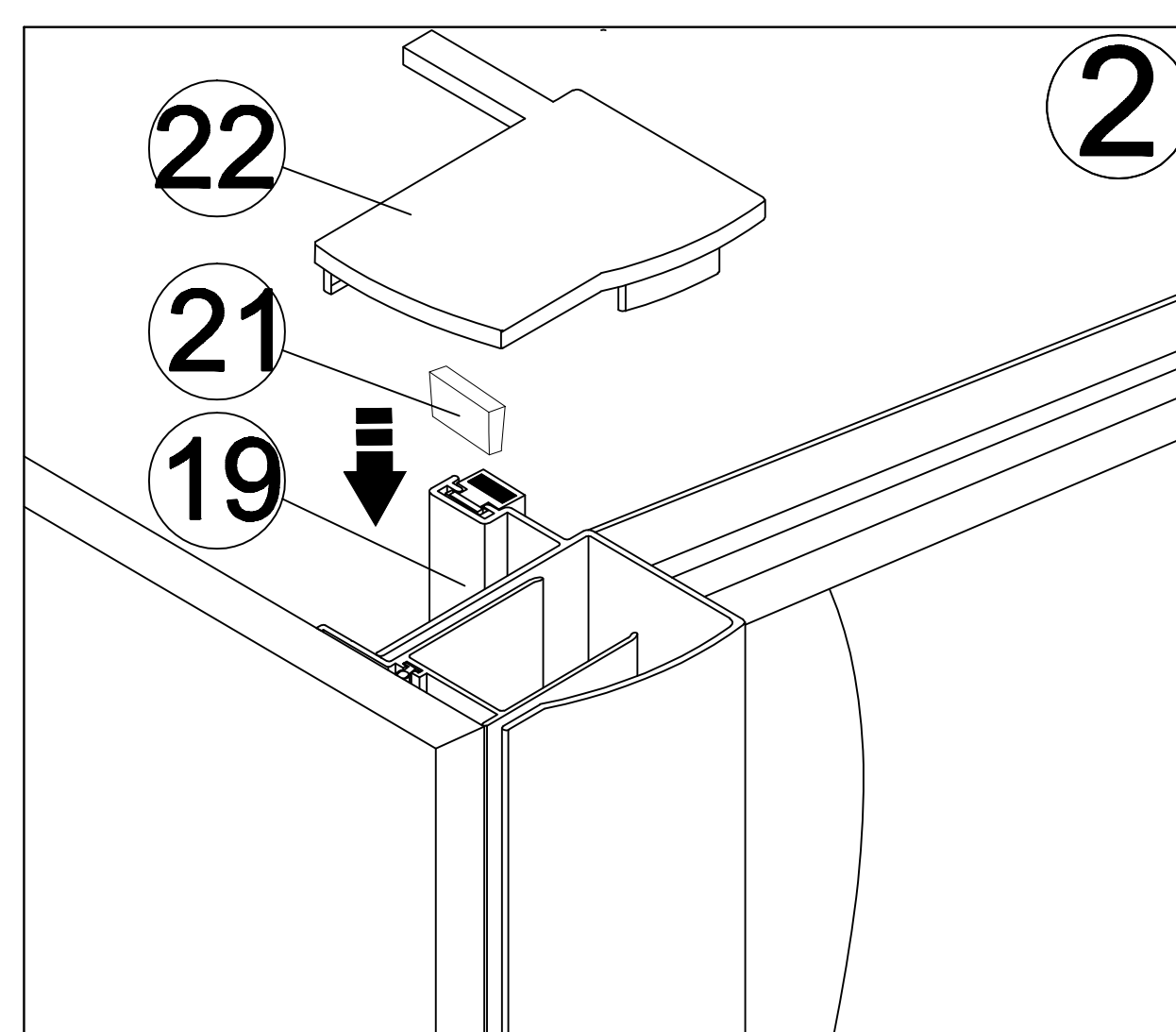
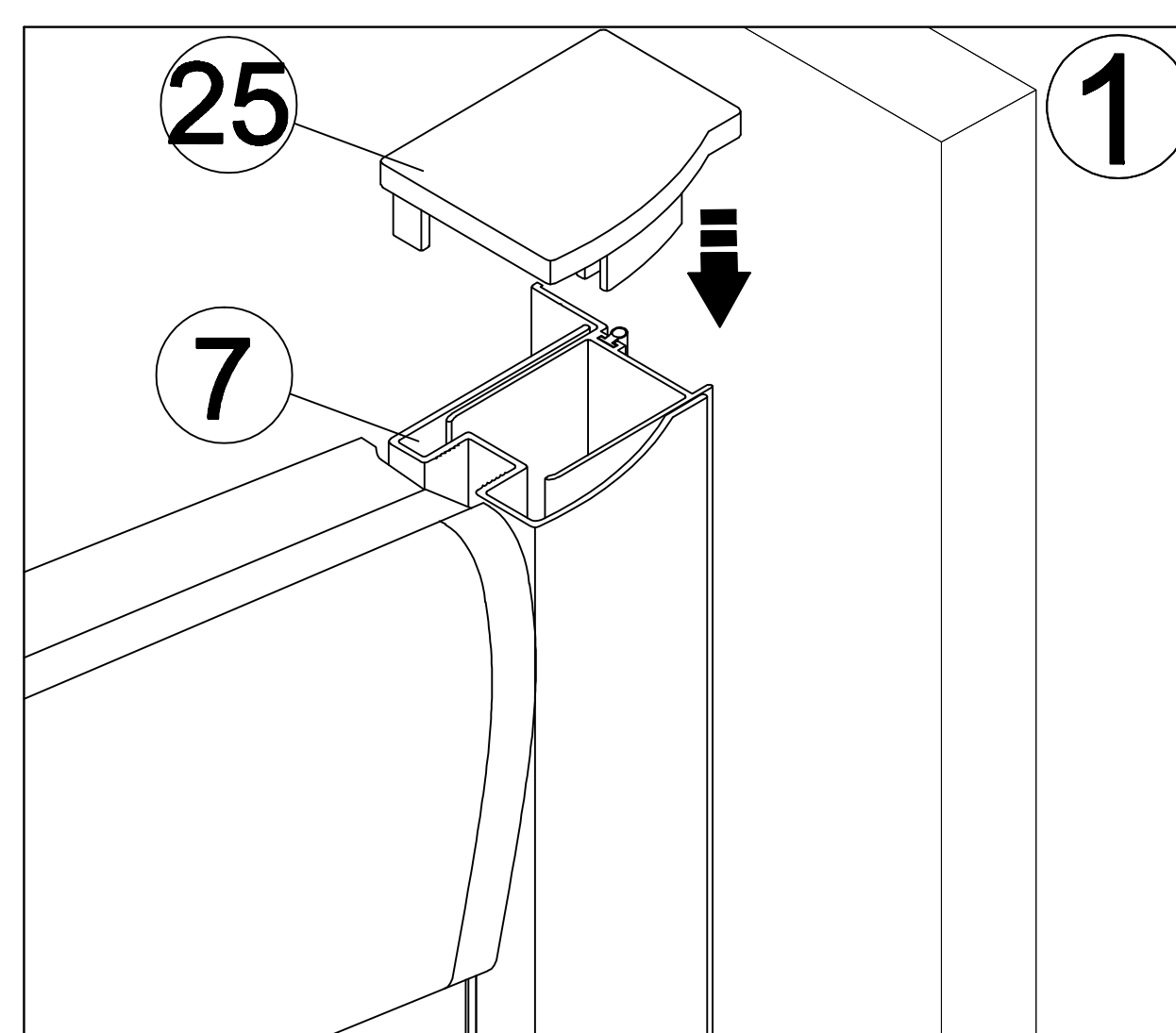
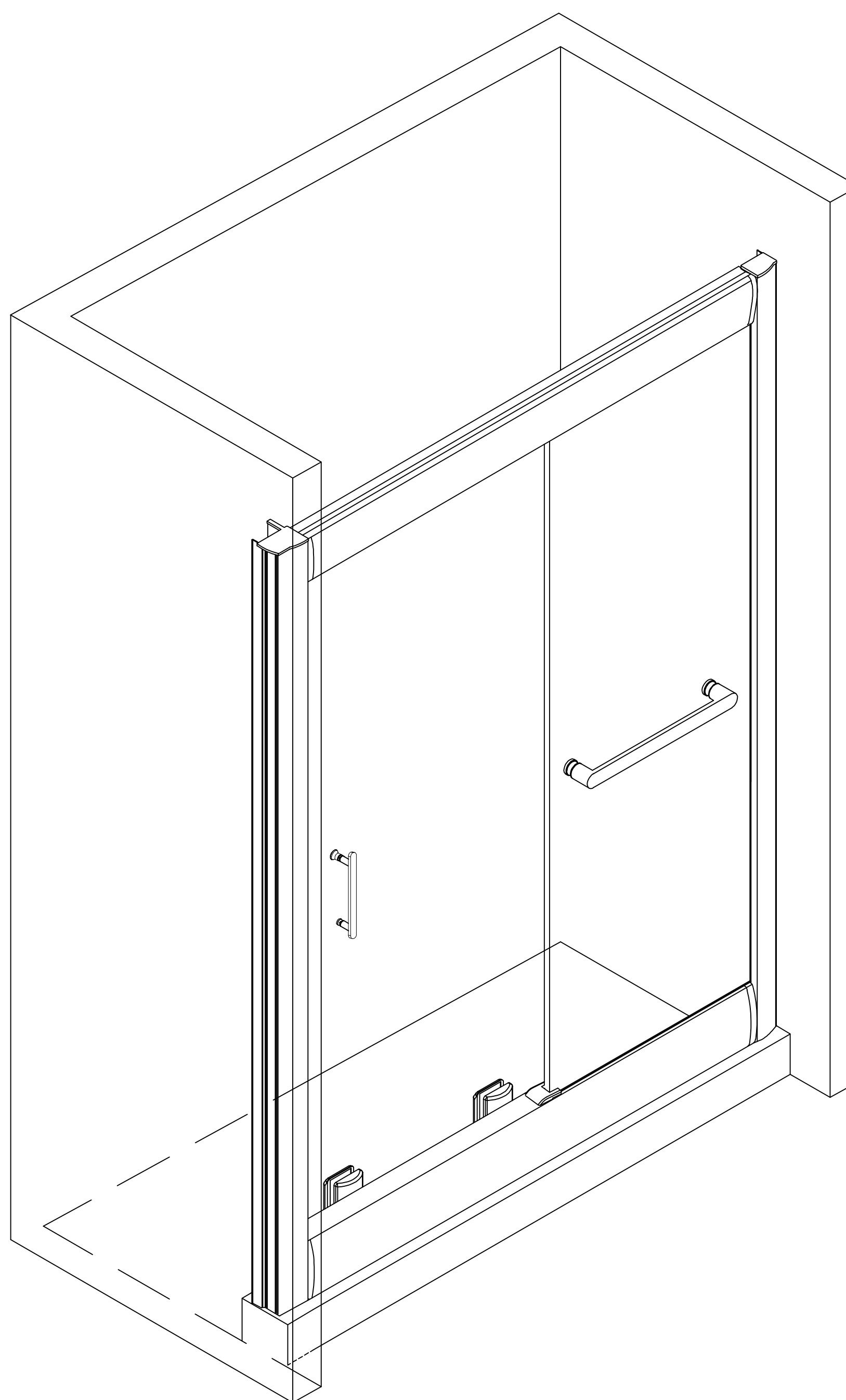
1. Install left wall bracket cover(25) on to wall bracket(7).
2. Fit insert piece(21) into magnetic strip slot of wide wall bracket(19) first and then assemble right-side cover for wide wall bracket(22) onto wide wall bracket(19).



Left Hand Assembly

STEP 13

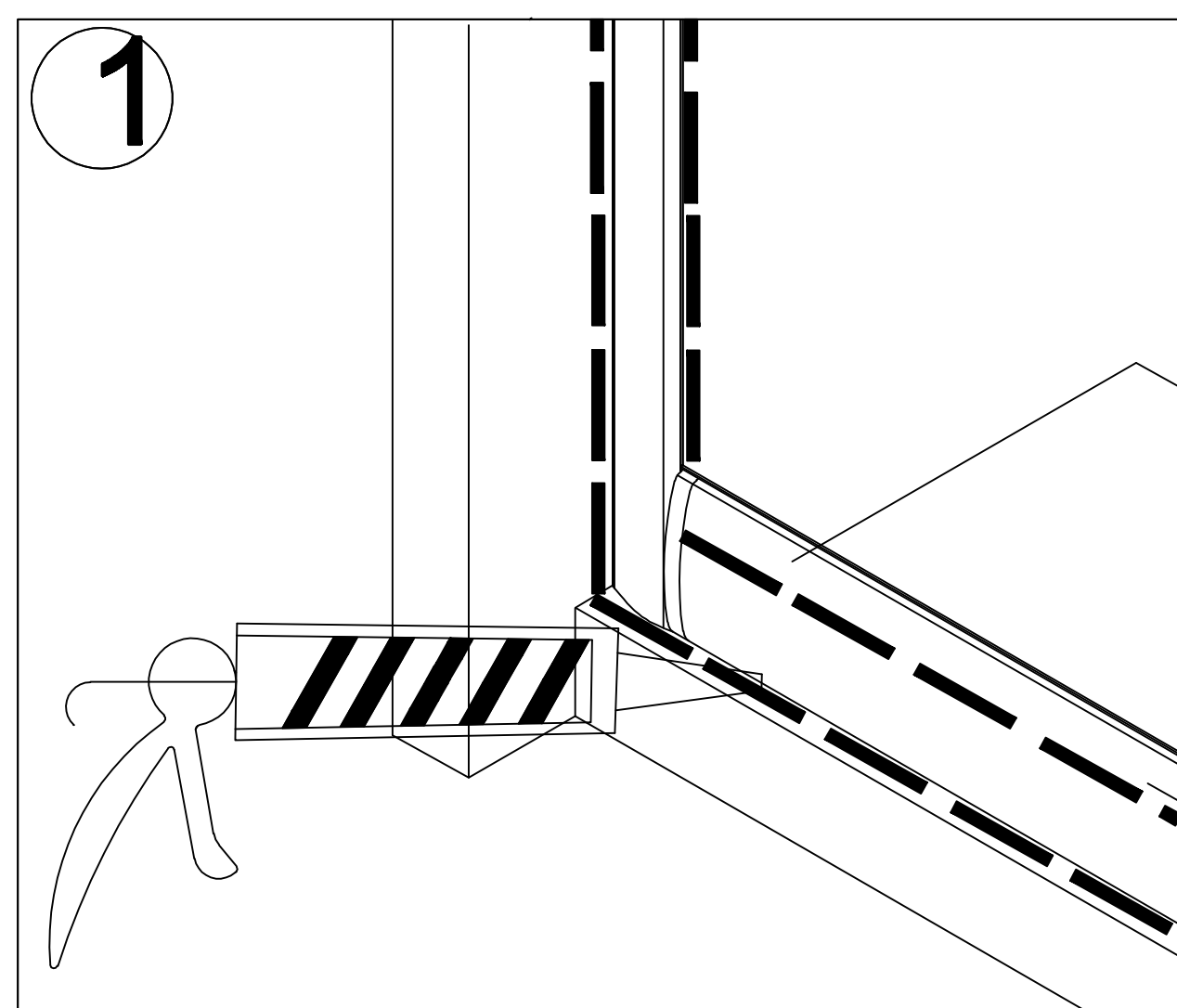
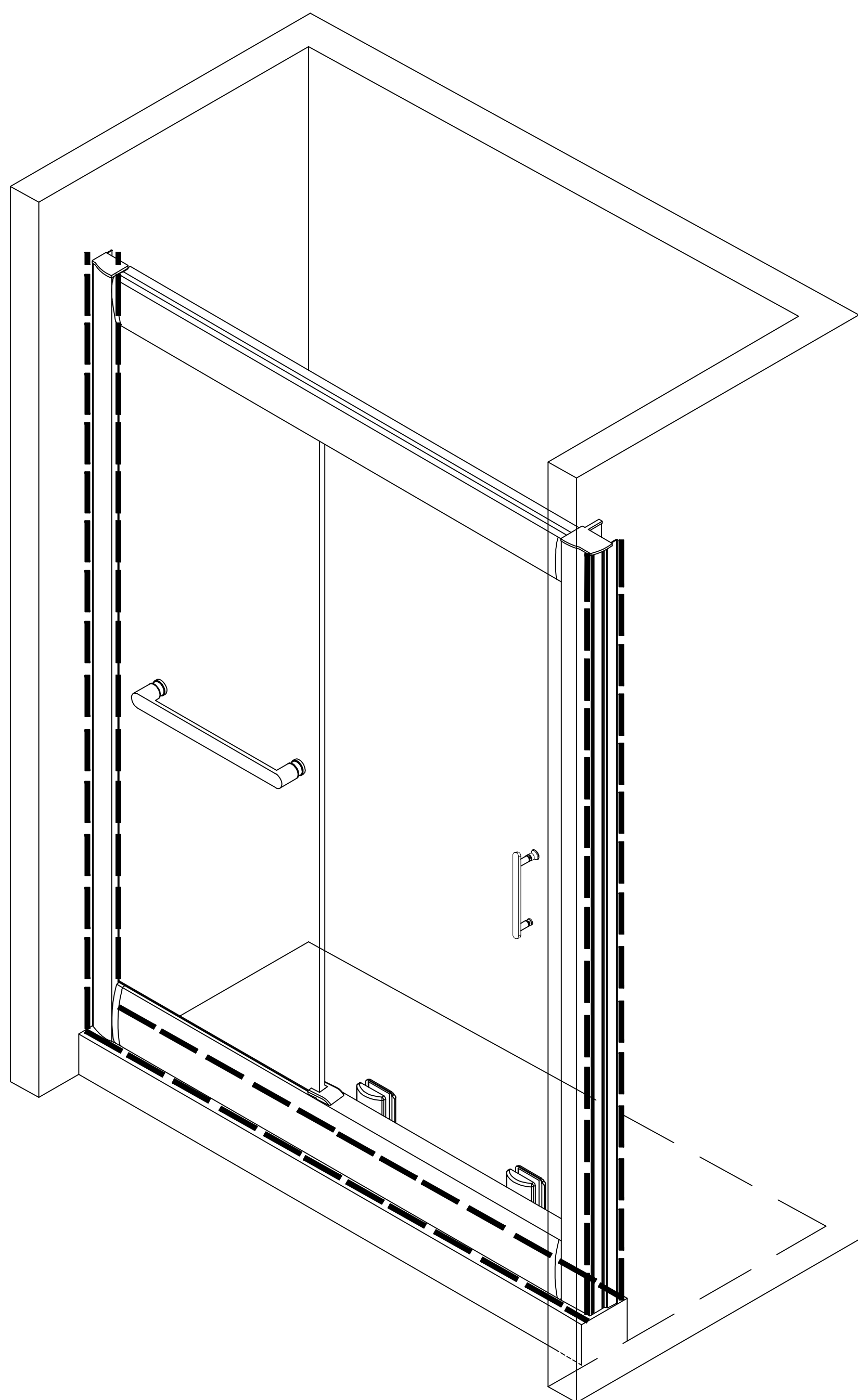
1. Install right wall bracket cover(25) on to wall bracket(7).
2. Fit insert piece(21) into magnetic strip slot of wide wall bracket(19) first and then assemble right-side cover for wide wall bracket(22) onto wide wall bracket(19).



Left Hand Assembly

STEP 14

1. Apply qualified mildew resistant silicone along the sides of wall-mounted bracket(6) and shower door track(14). Allow the silicone to dry for 24 hours before using the shower.



Left Hand Assembly

STEP 14

1. Apply qualified mildew resistant silicone along the sides of wall-mounted bracket(6) and shower door track(14). Allow the silicone to dry for 24 hours before using the shower.

