

Assembly Instruction

Decorate your home, Brighten wonderful life

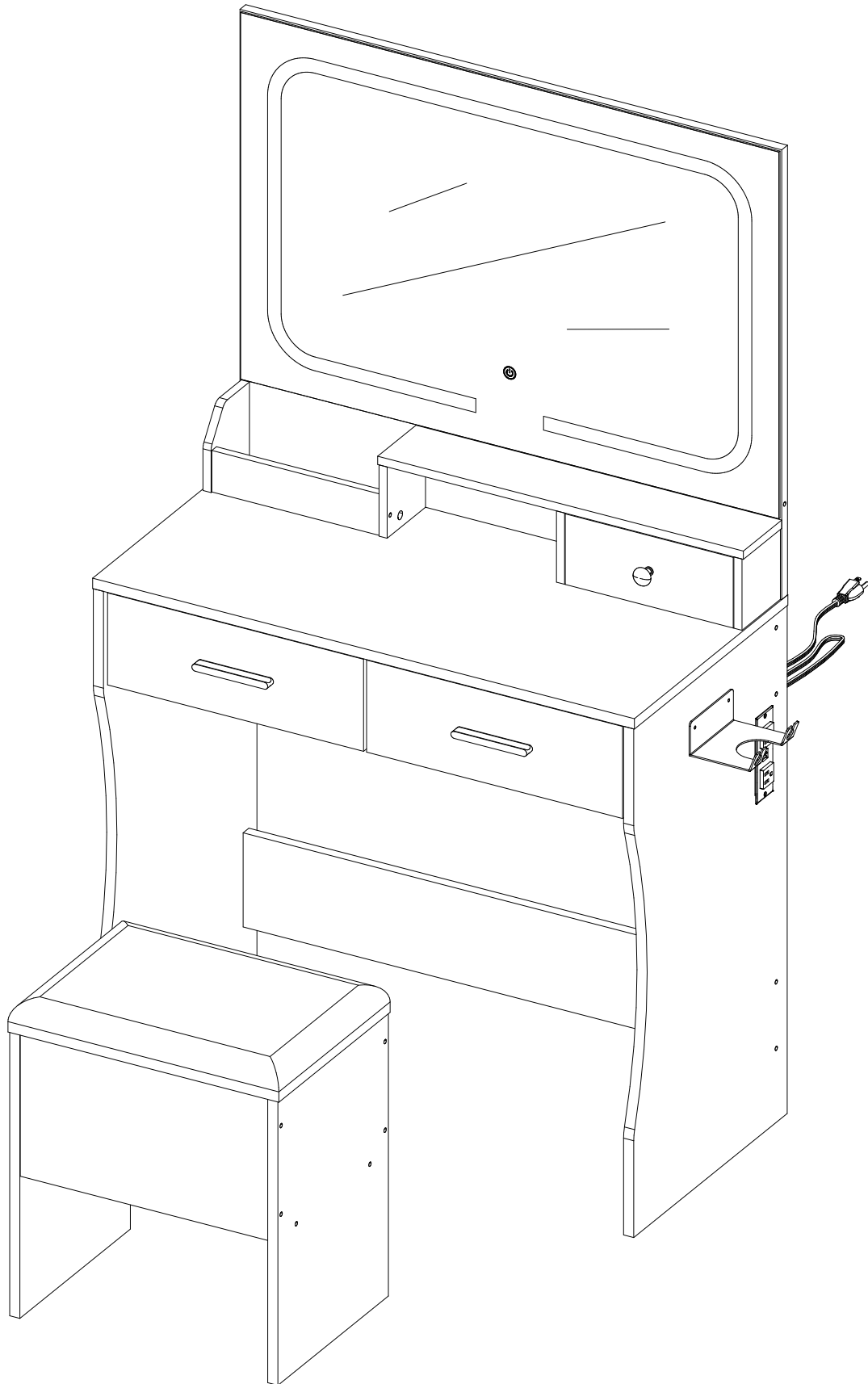
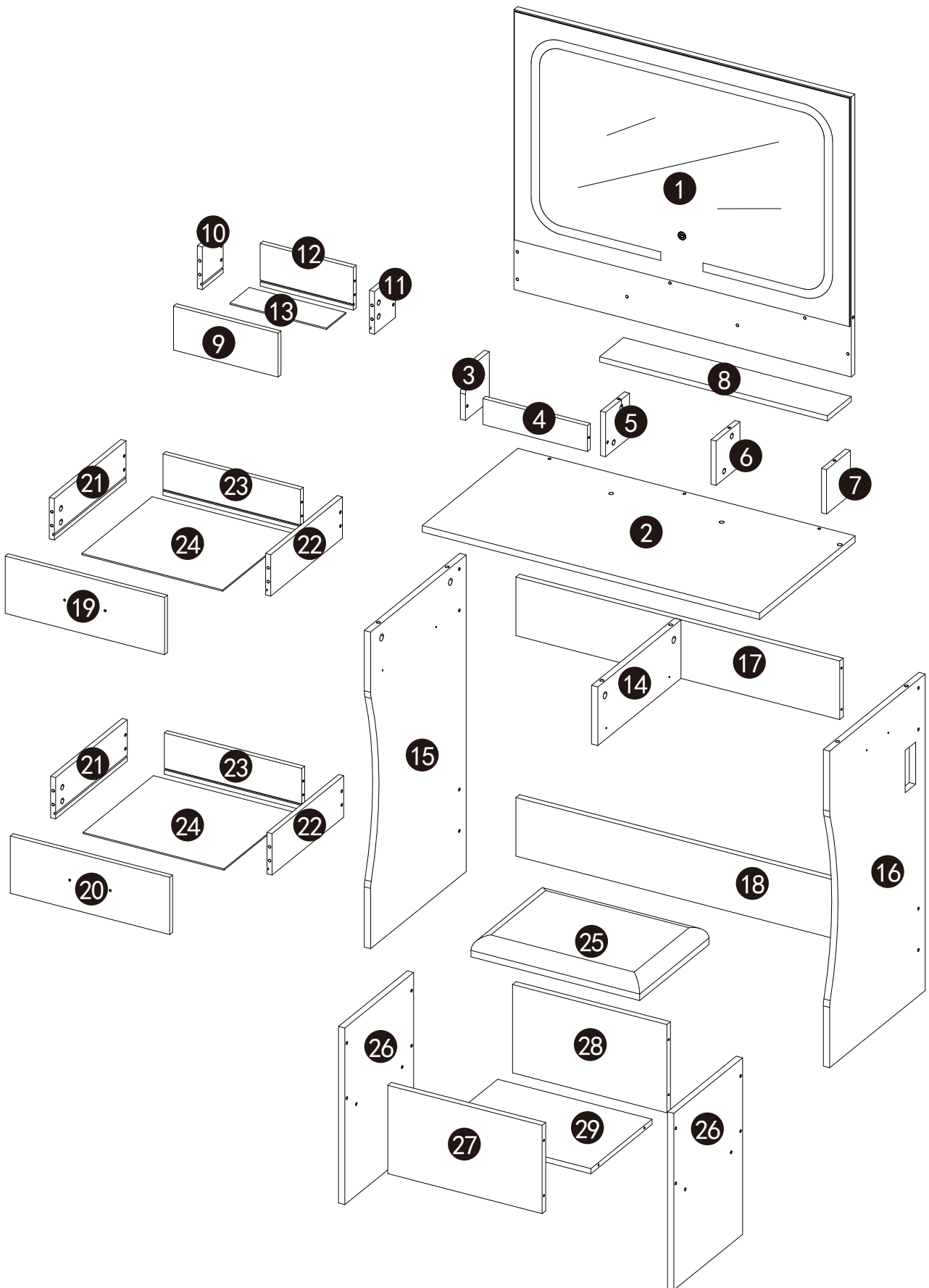
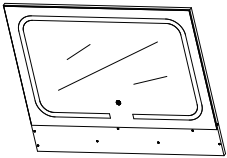
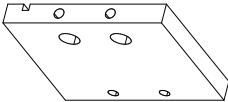

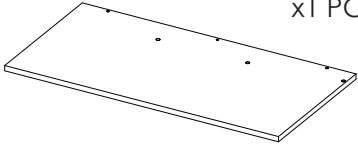
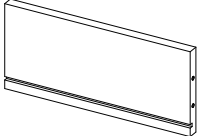

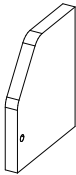
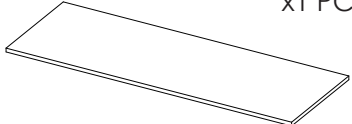
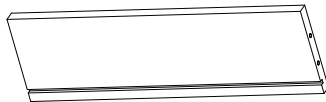
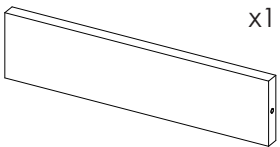
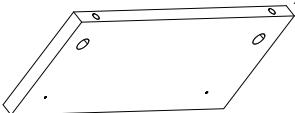
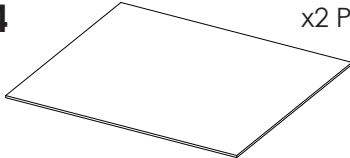
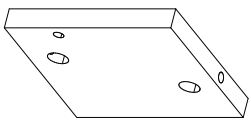
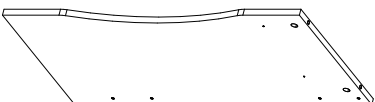
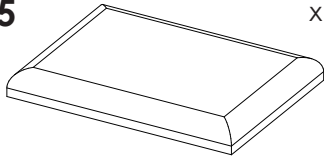
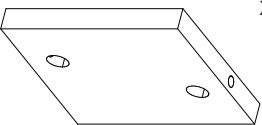
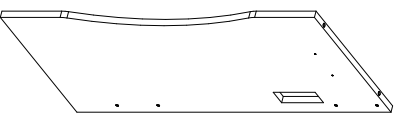
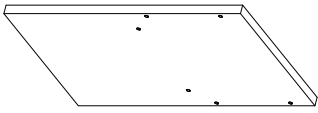
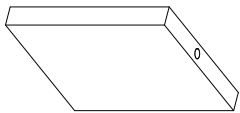
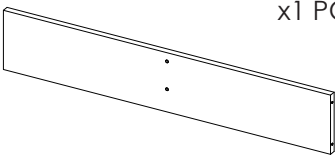
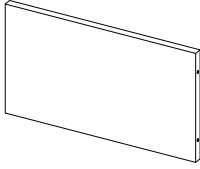
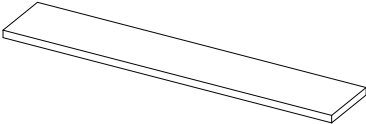
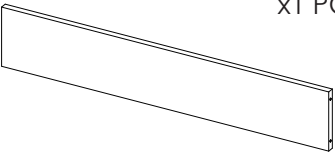
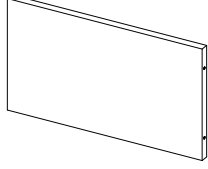
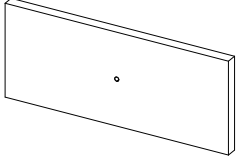
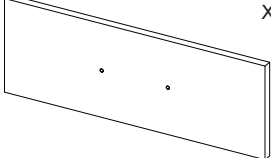
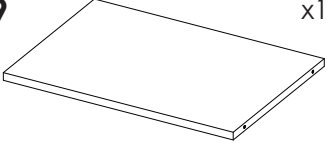
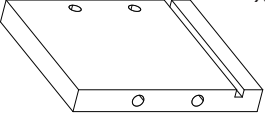
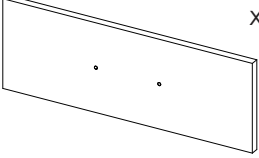


Plate number



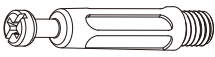

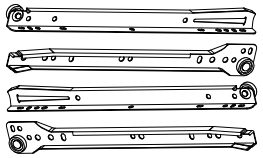
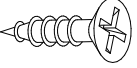


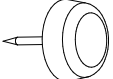
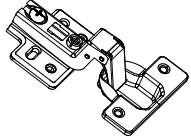
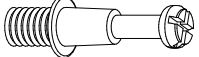
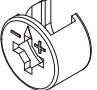

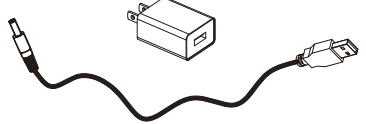
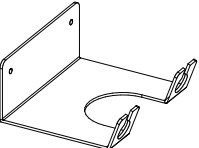
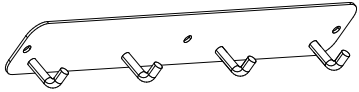
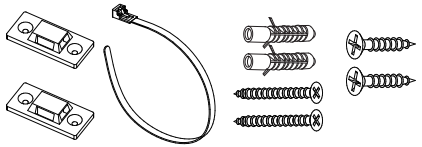
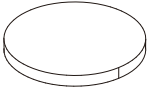

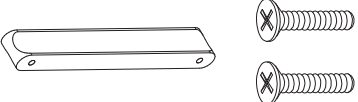

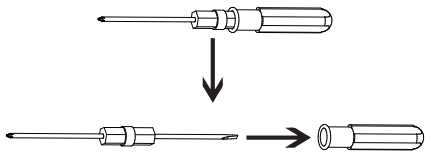
PARTS LIST

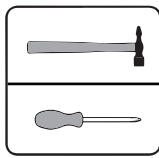
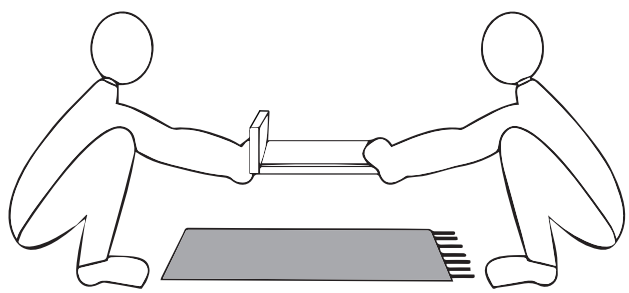
Unit: (mm)

1  x1 PC	11  x1 PC	21  x2 PC
2  x1 PC	12  x1 PC	22  x2 PC
3  x1 PC	13  x1 PC	23  x2 PC
4  x1 PC	14  x1 PC	24  x2 PC
5  x1 PC	15  x1 PC	25  x1 PC
6  x1 PC	16  x1 PC	26  x2 PC
7  x1 PC	17  x1 PC	27  x1 PC
8  x1 PC	18  x1 PC	28  x1 PC
9  x1 PC	19  x1 PC	29  x1 PC
10  x1 PC	20  x1 PC	

ACCESSORIES LIST

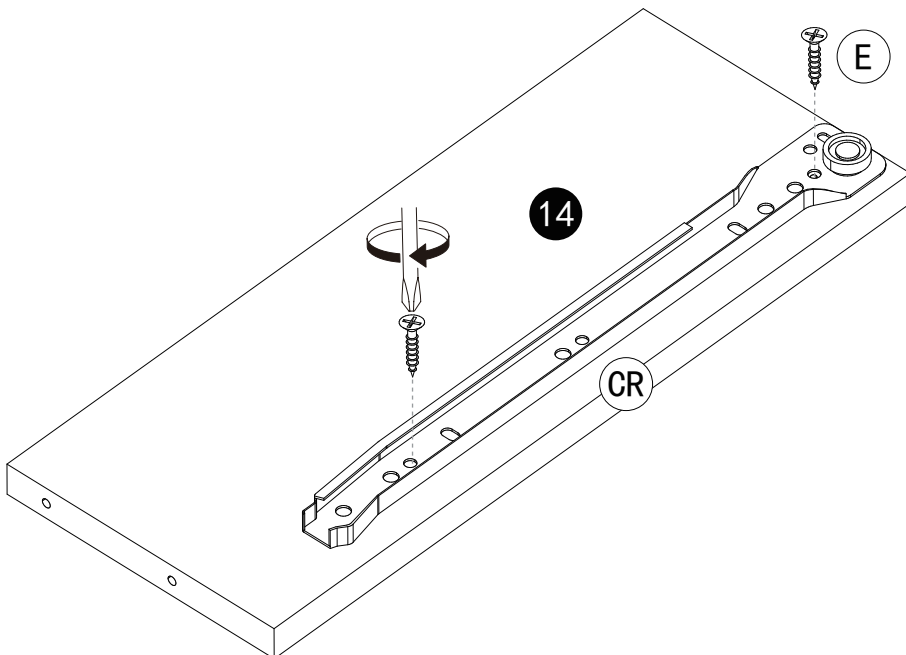
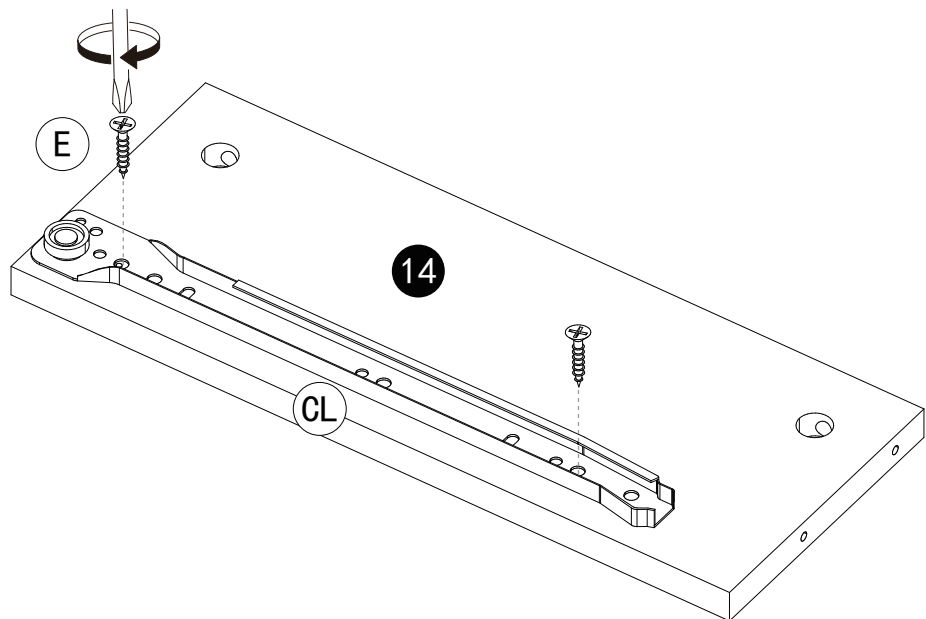
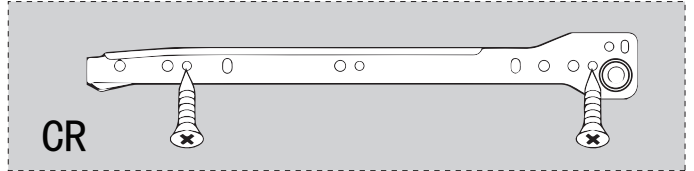
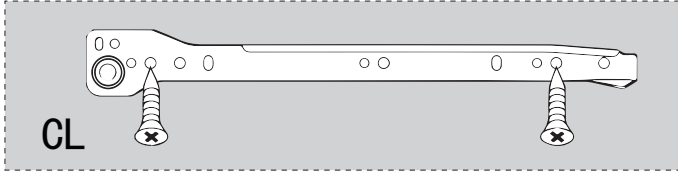
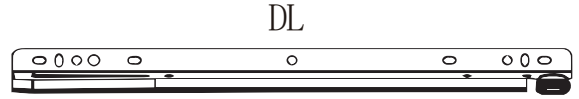
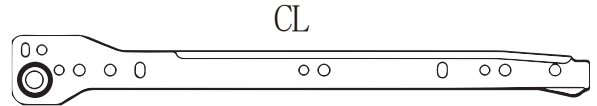
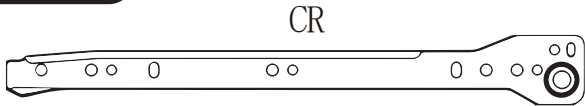
Unit: (mm)

<p>A 6x40 x6 PC</p> 	<p>B 15x11 x6 PC</p> 	<p>C=CR+CL+DR+DL 12 inches x2 PC</p> 
<p>D M3x12 x8 PC</p> 	<p>E M3.5x14 x27 PC</p> 	<p>F M5x40/#3 x46 PC/x1 PC</p> 
<p>G Ø5x12 x8 PC</p> 	<p>H Hinge x2 PC</p> 	<p>J 6x25 x18 PC</p> 
<p>K 12x10 x18 PC</p> 	<p>L x1 PC</p> 	<p>M x1 PC</p> 
<p>N 115x104 x1 PC</p> 	<p>O 280mm x1 PC</p> 	<p>P x2 PC</p> 
<p>Q Ø8x2 x4 PC</p> 	<p>R M4x16 x1 PC</p> 	<p>S 96/M4x16 x2 PC/x4 PC</p> 
<p>T 21mm x36 PC</p> 		



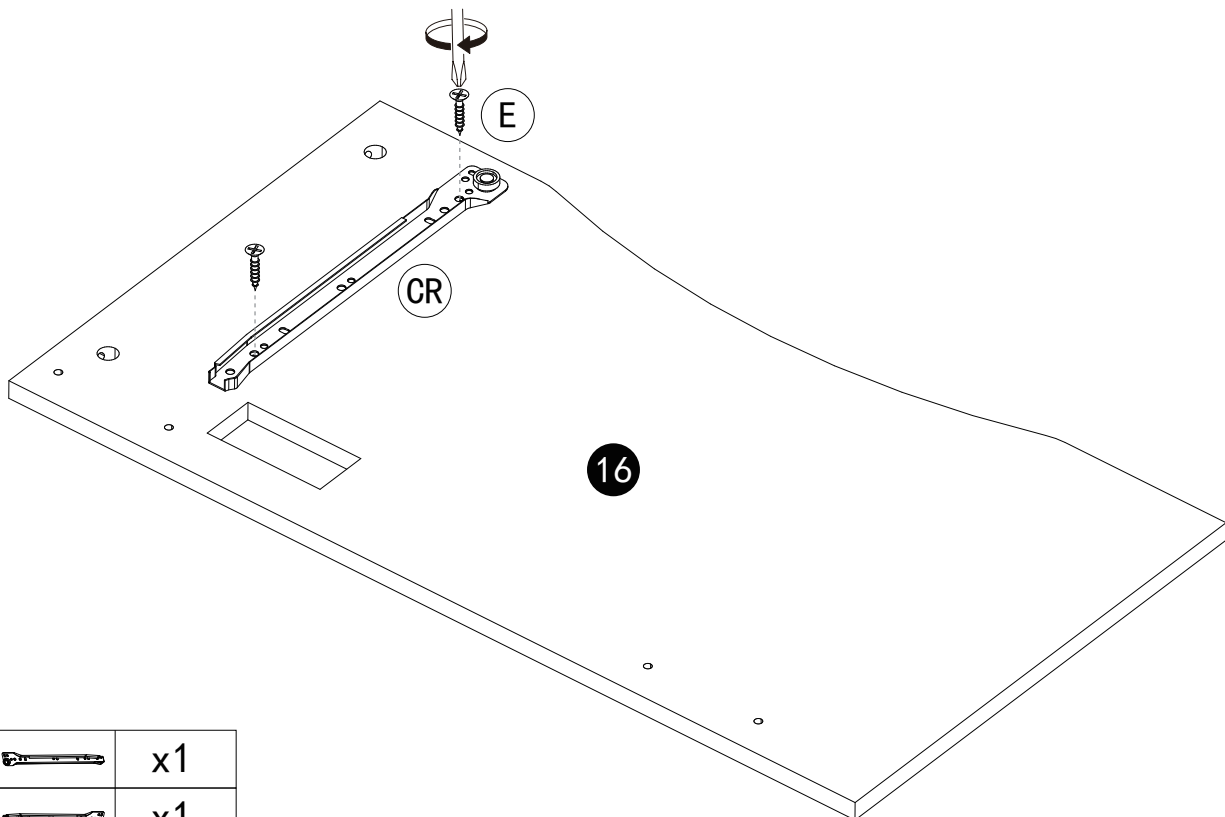
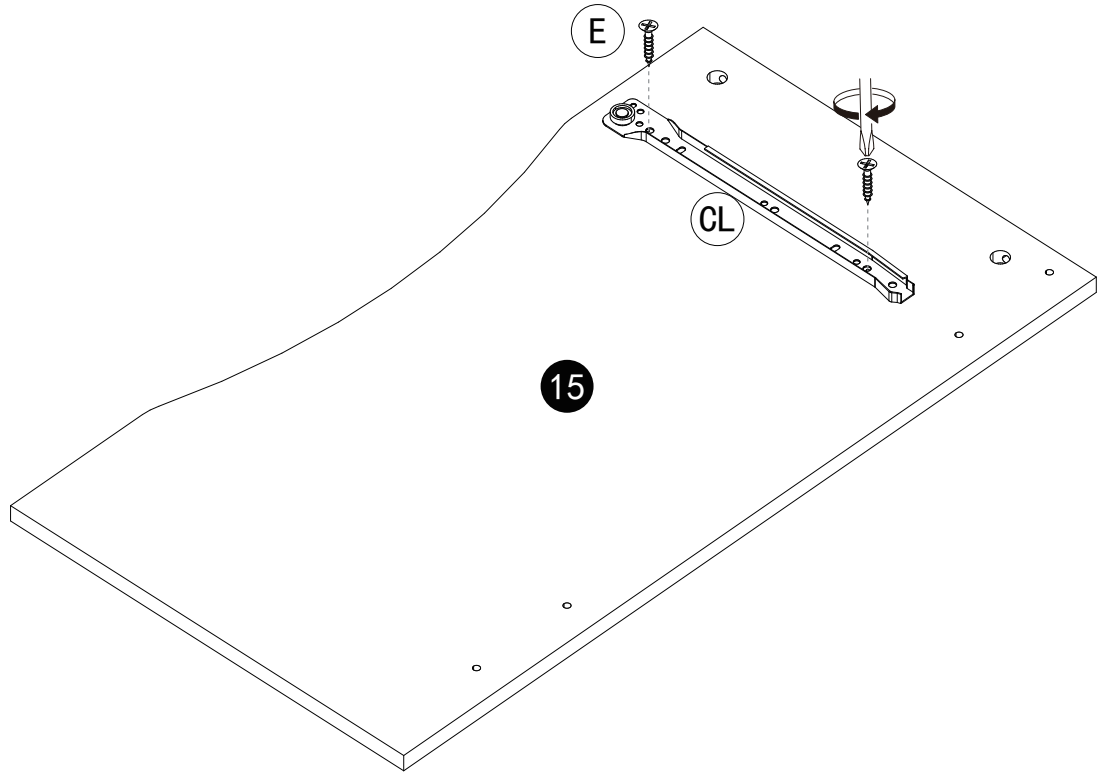
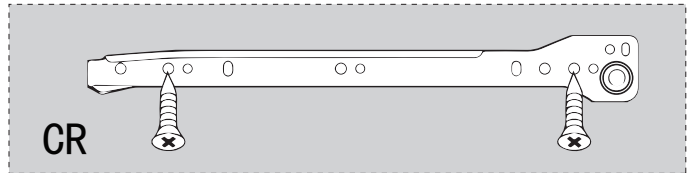
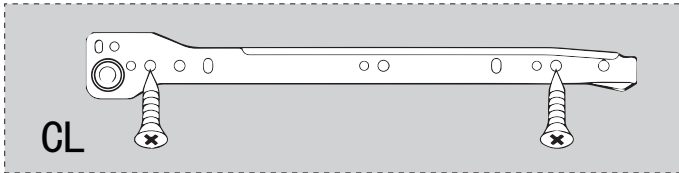
INSTALLATION INSTRUCTION




STEP 1



CL		x1
CR		x1
E		x4

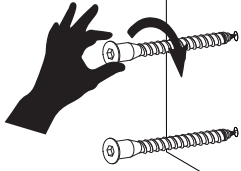
STEP 2



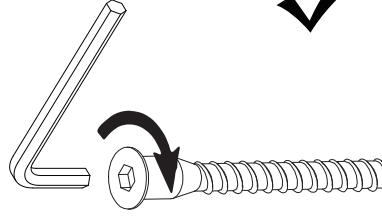
CL		x1
CR		x1
E		x4

STEP 3

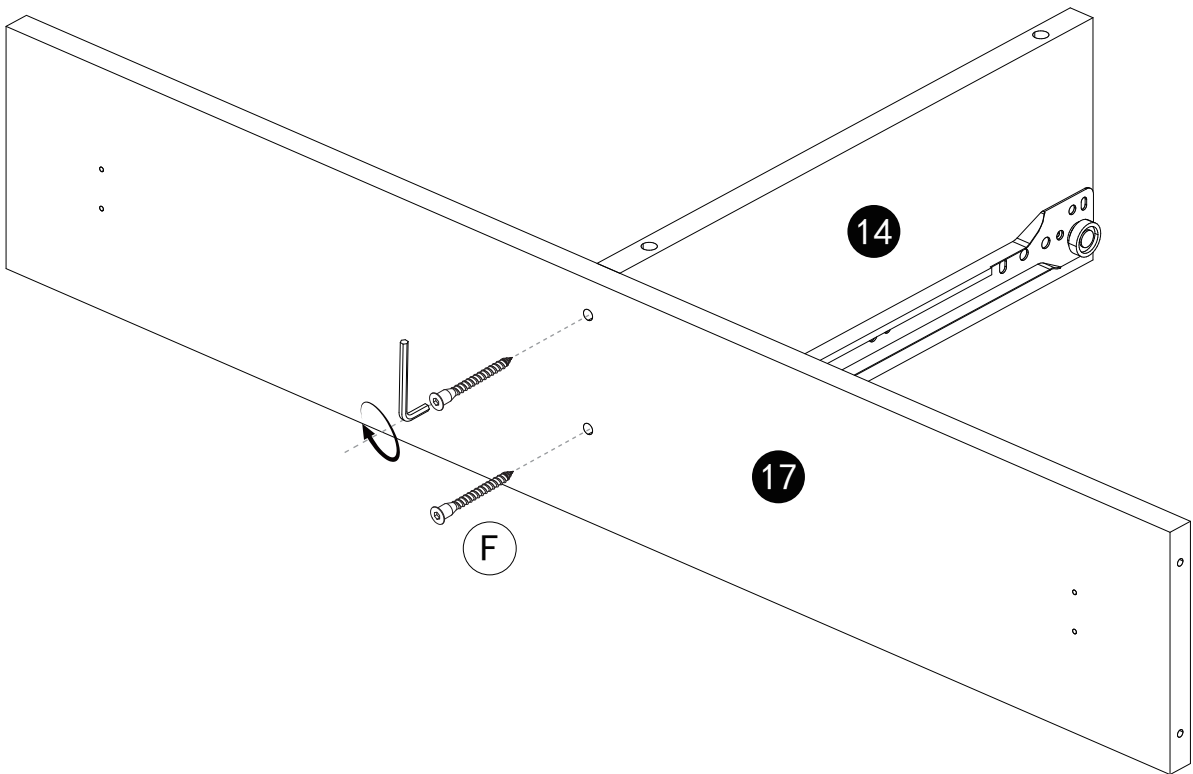
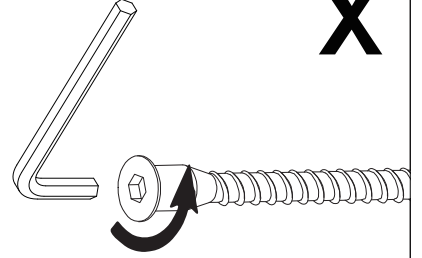
1




2

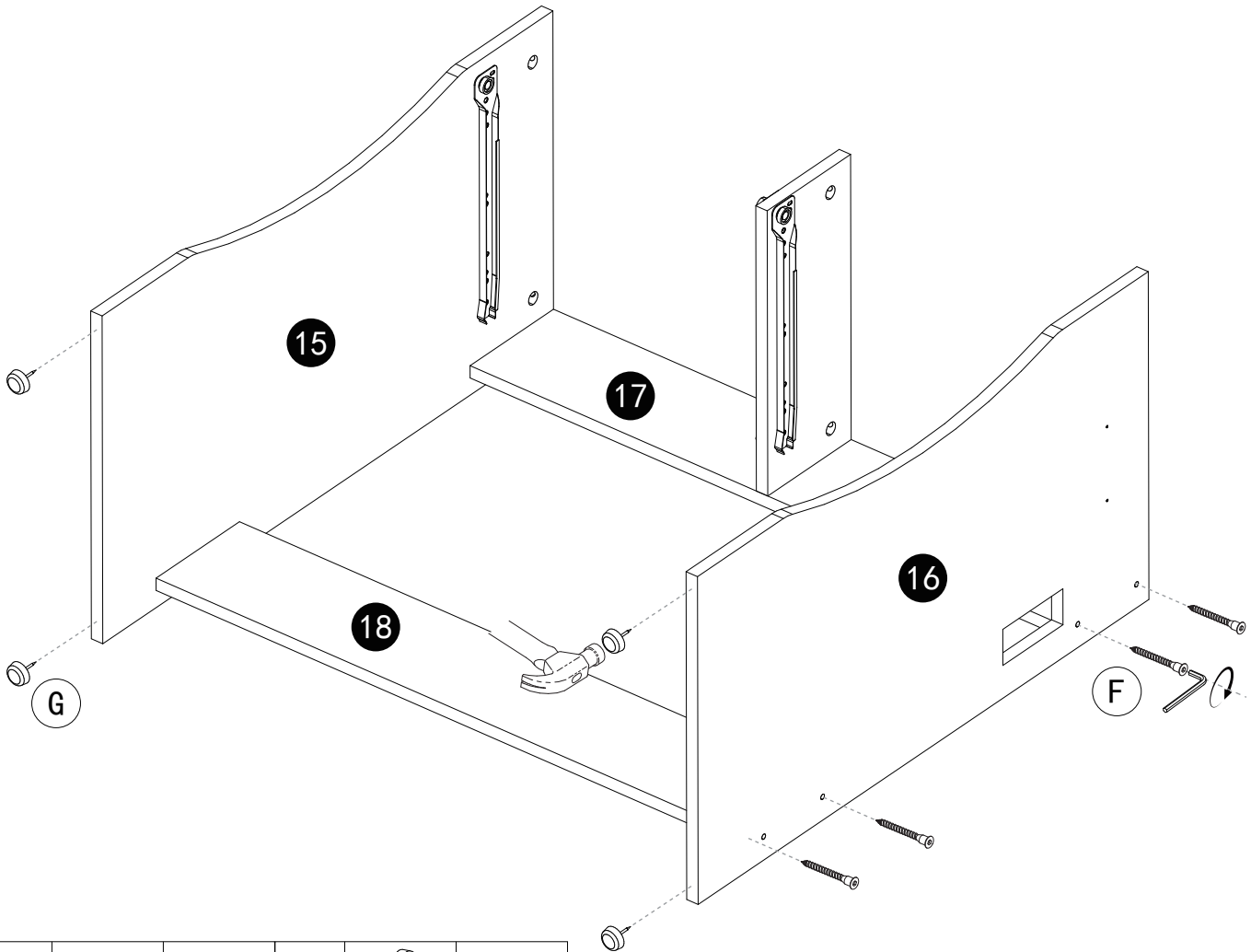
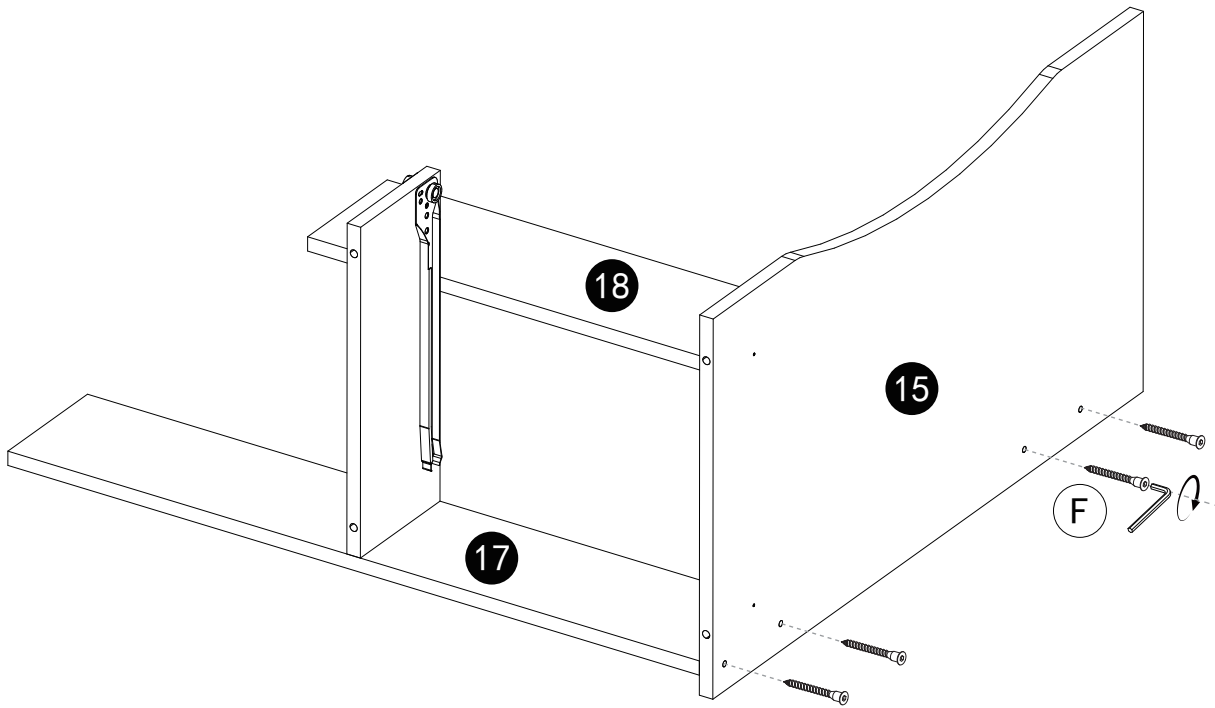



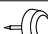
X



F		x2
---	---	----

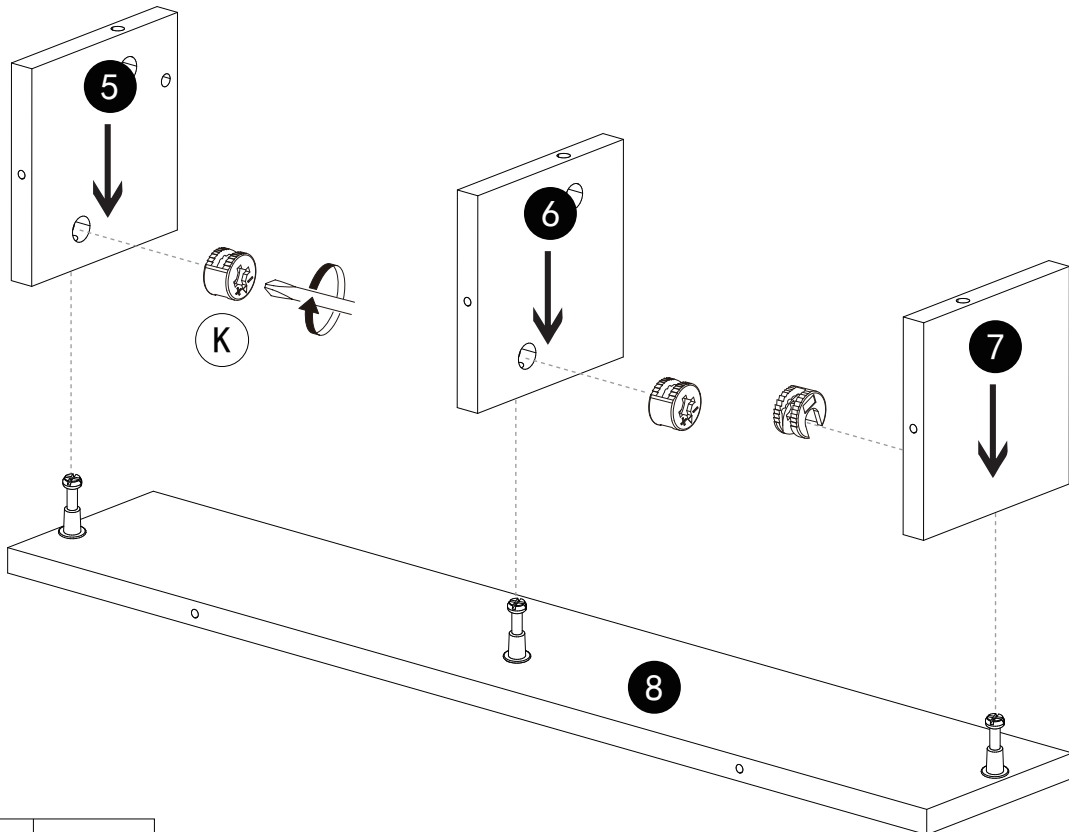
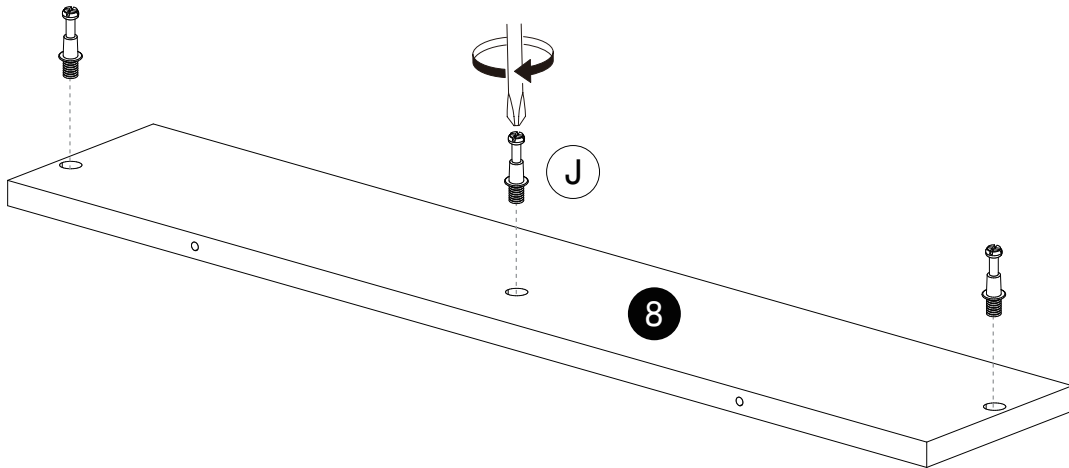
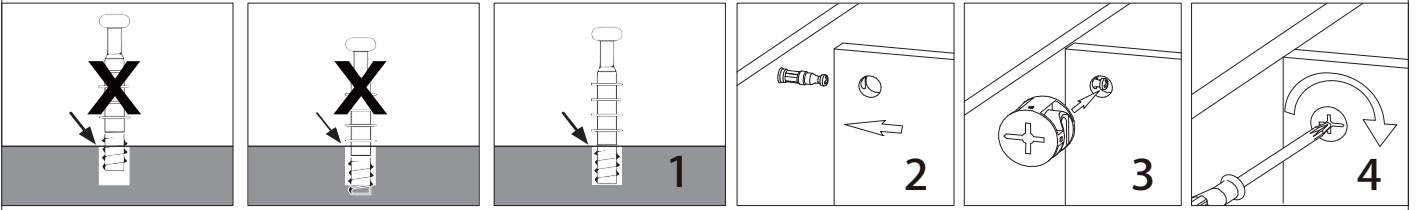
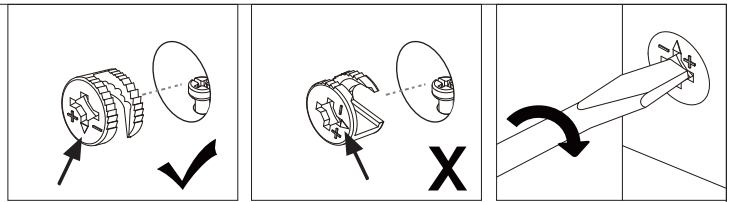
STEP 4

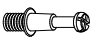



F		x8	G		x4
---	---	----	---	---	----

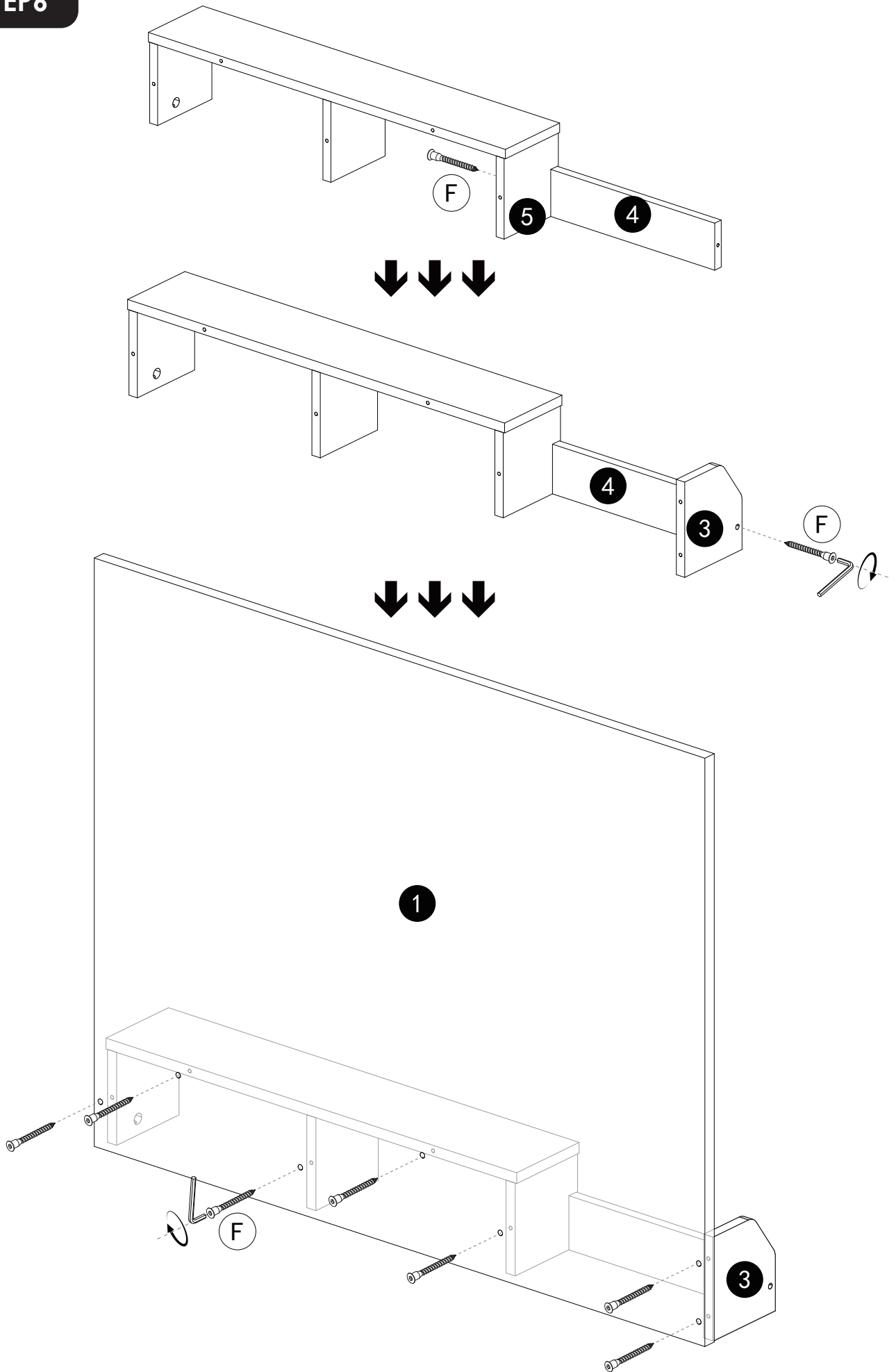
STEP 5


Installation method of three in one rod and buckle



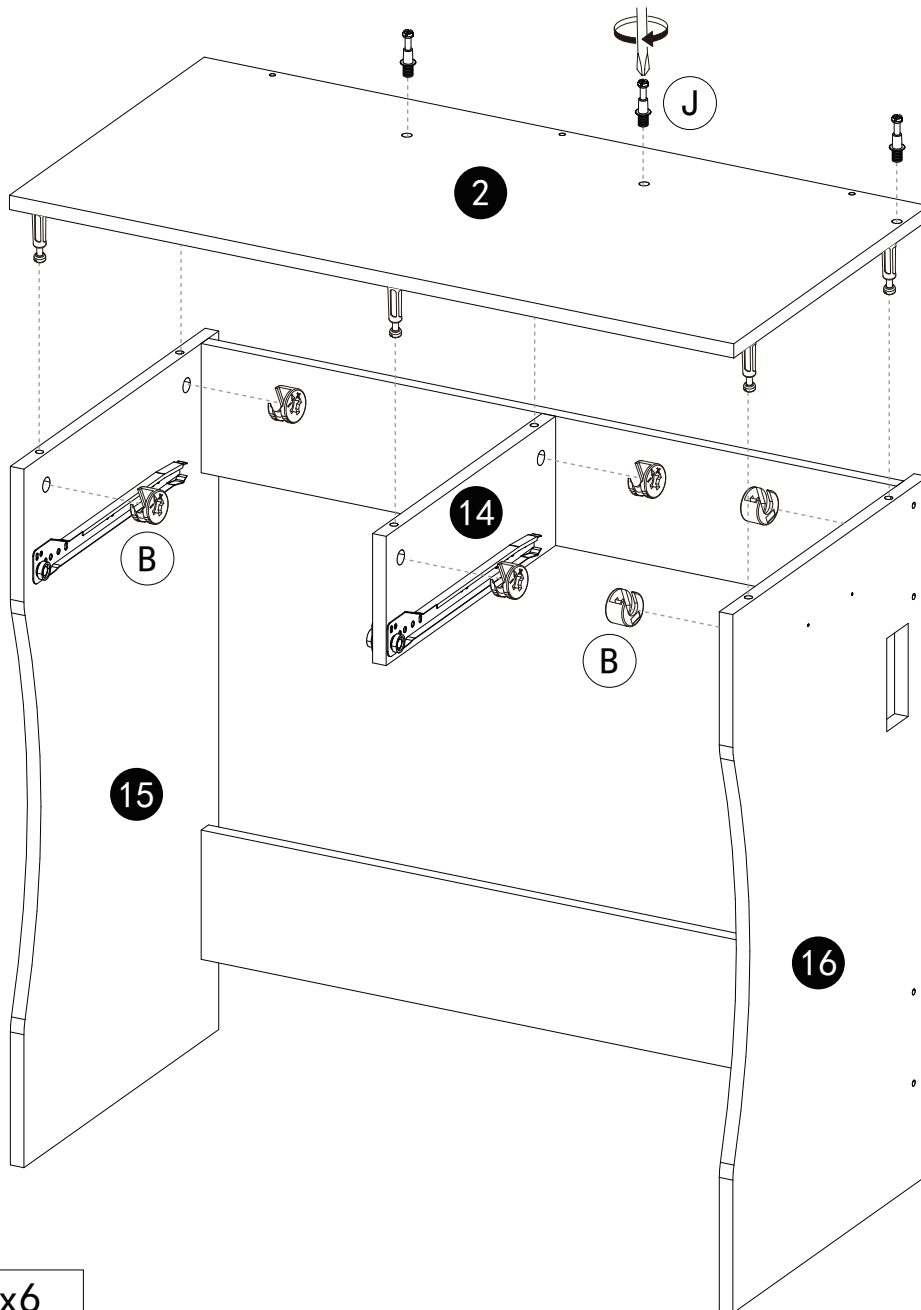
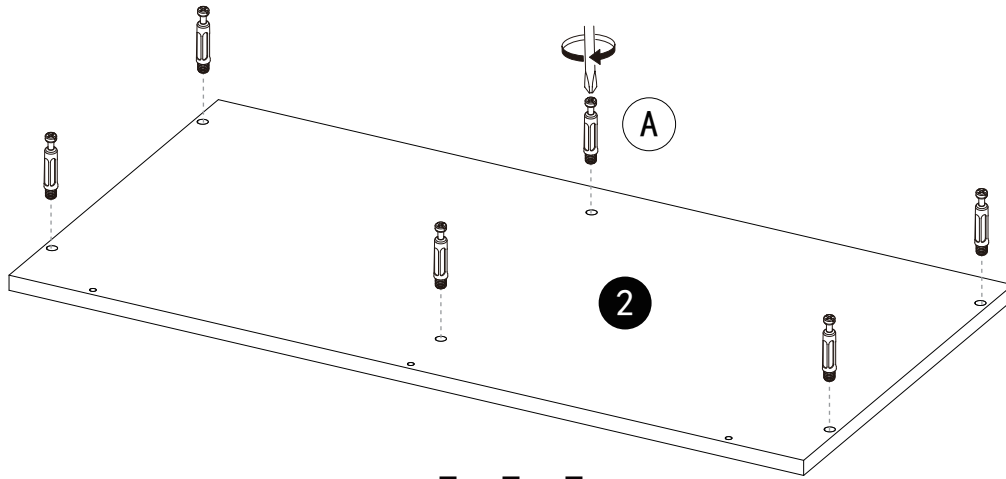
J		x3
K		x3



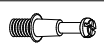
STEP 6



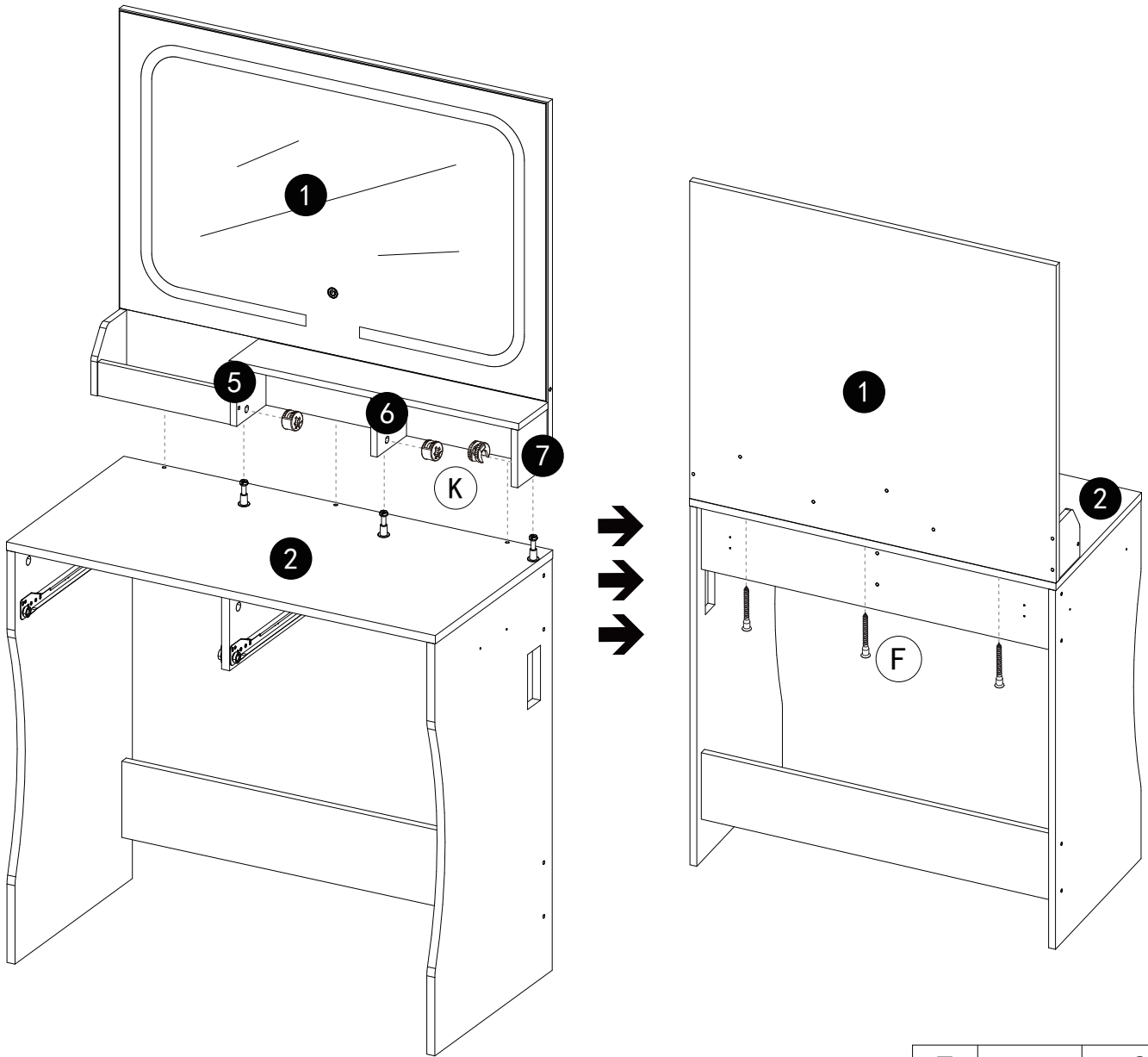
F		x9
---	---	----



STEP 7

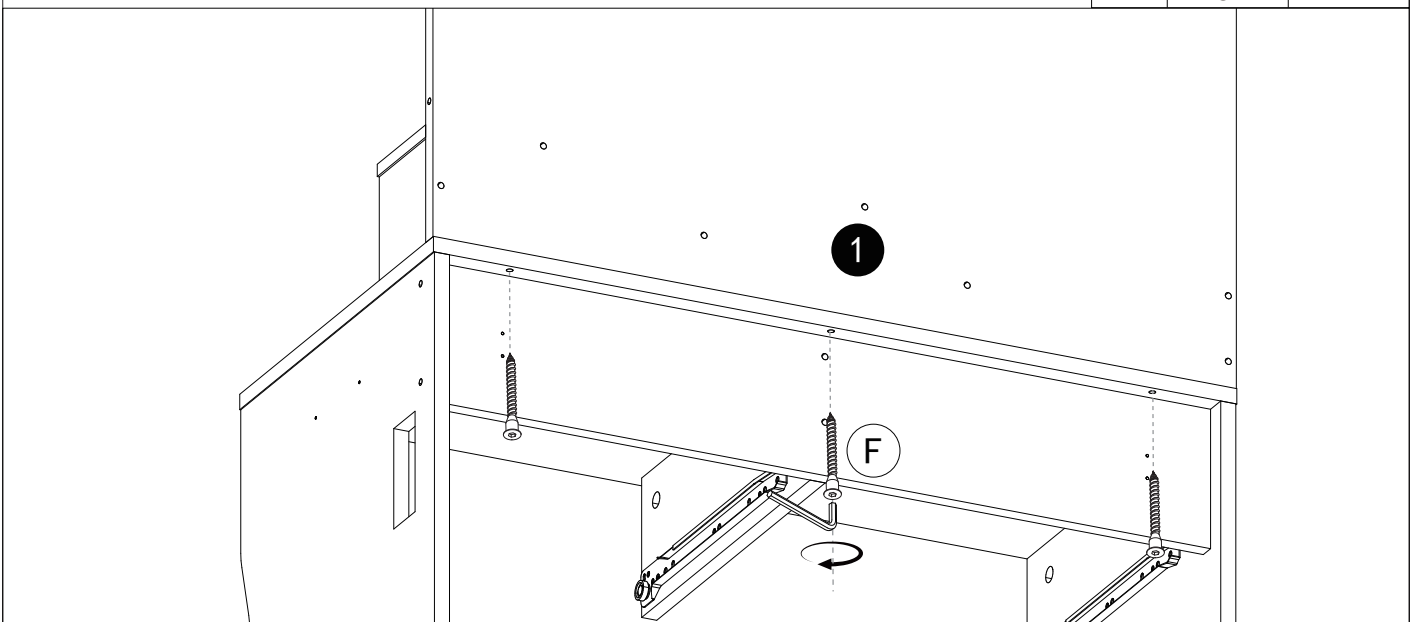


A		x6			
B		x6	J		x3

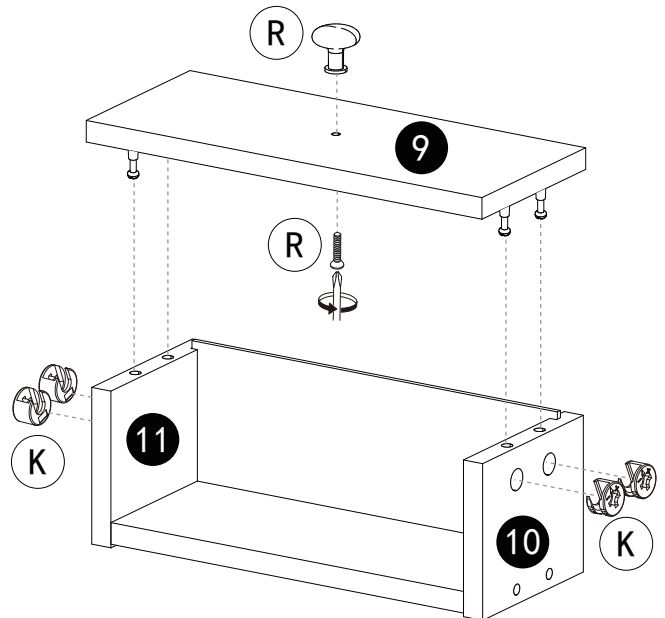
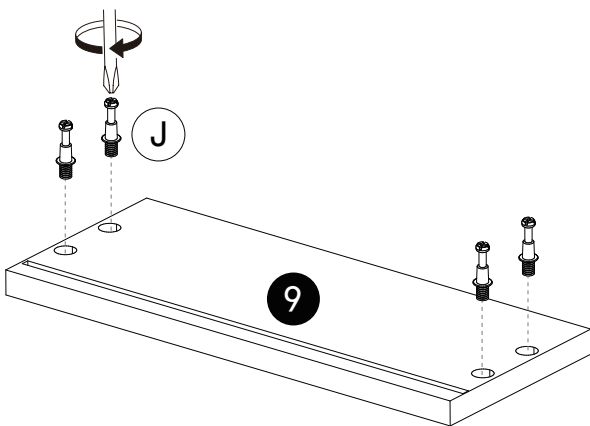
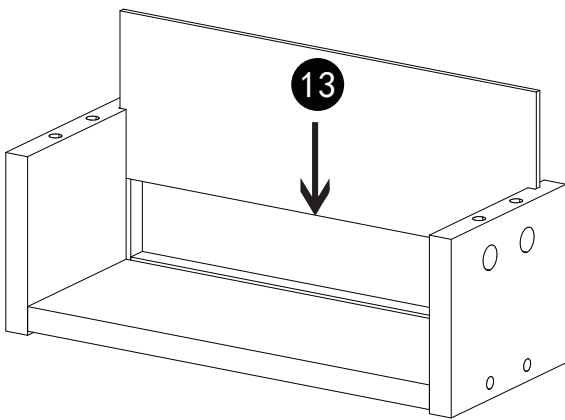
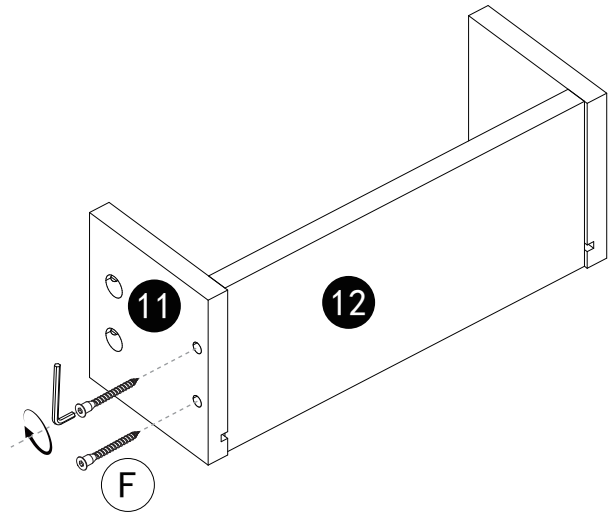
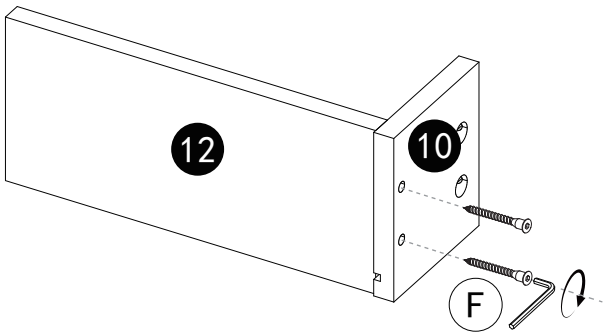
STEP 8


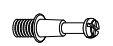




F		x3
K		x3

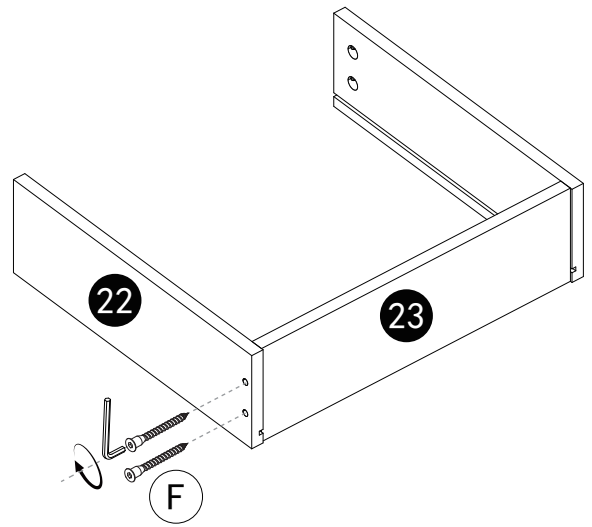
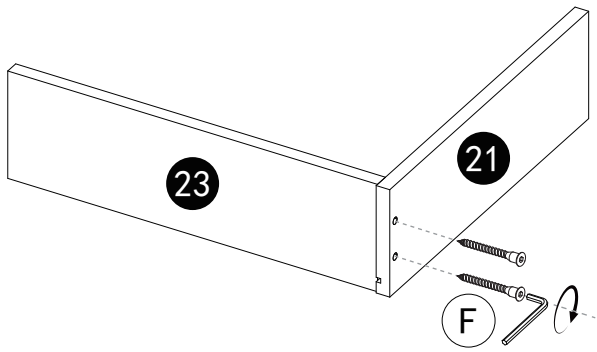


STEP 9

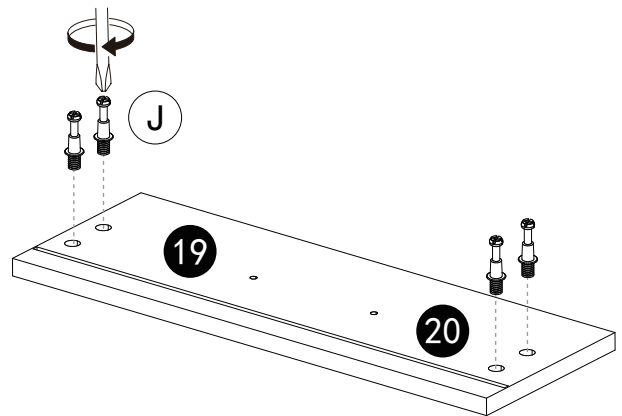
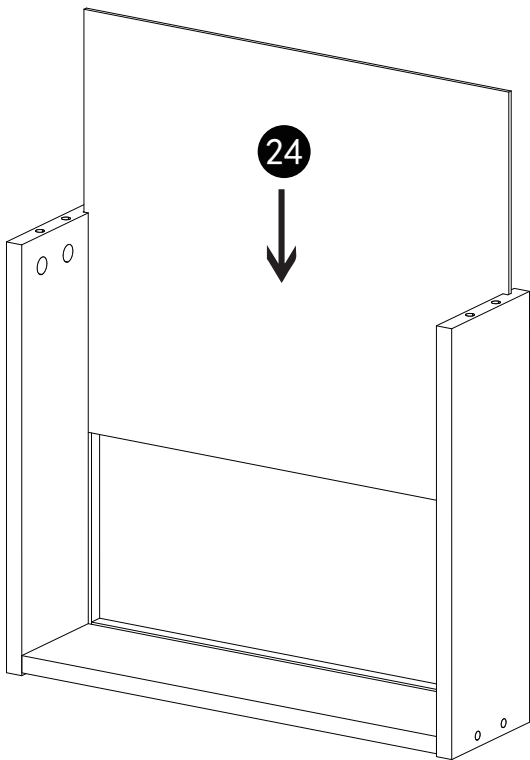


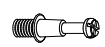

F		x4	J		x4
R		x1	K		x4

STEP 10



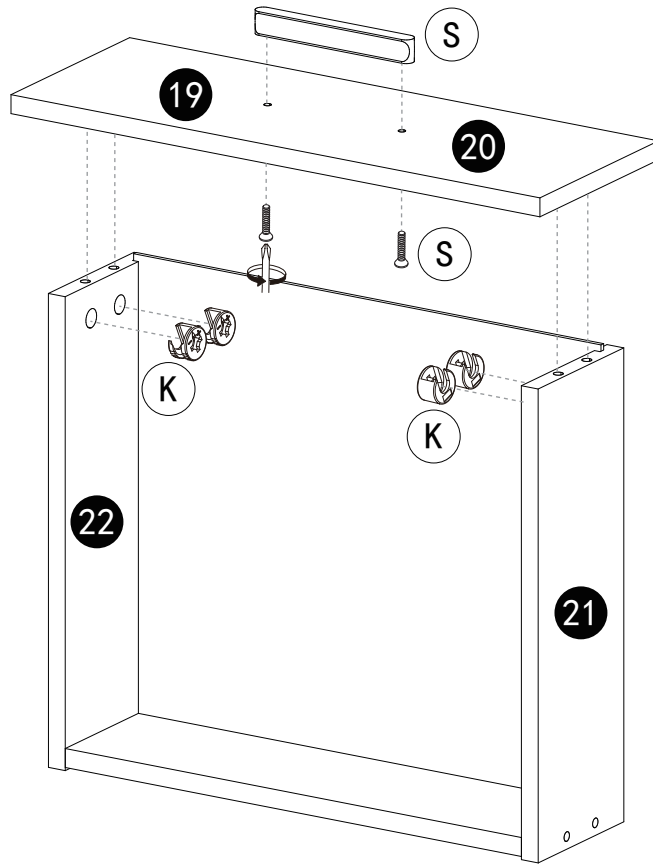
X2



J		x8
F		x8

STEP 11

X2

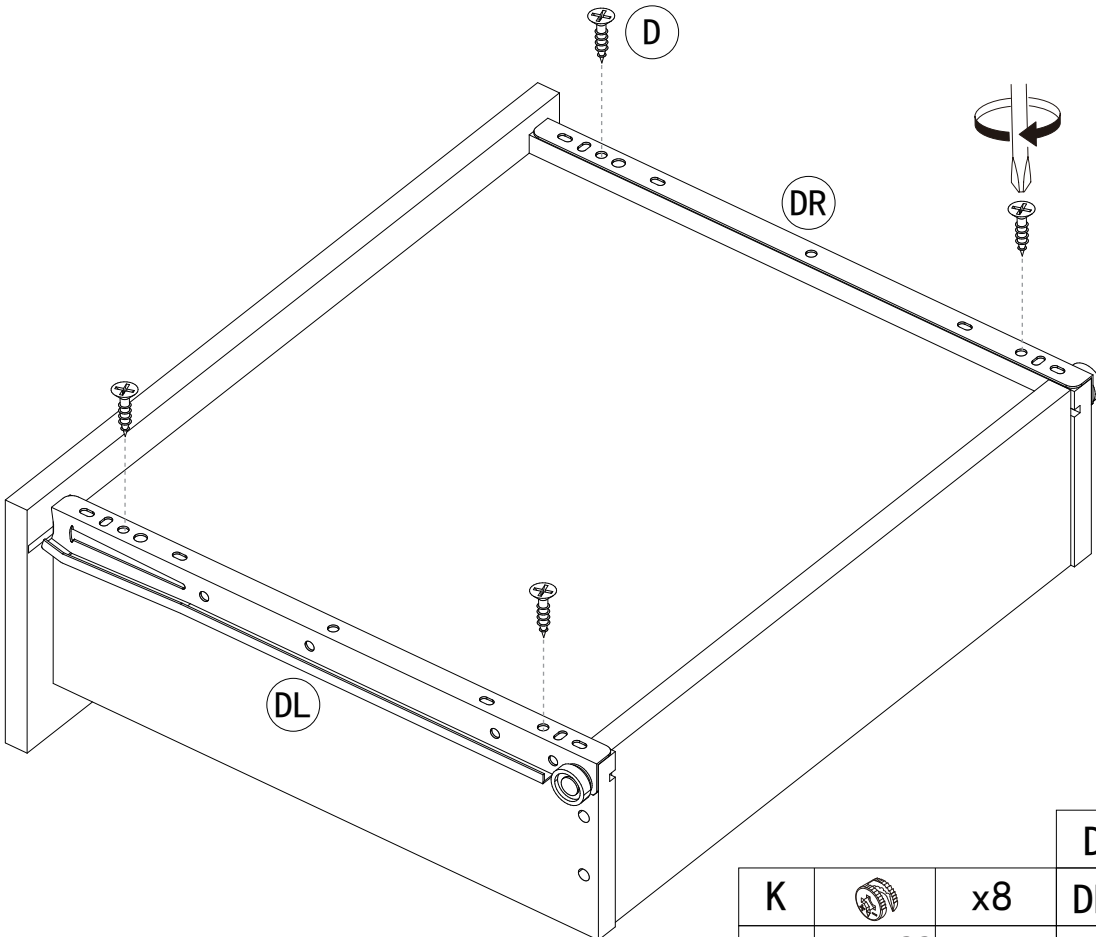


DL



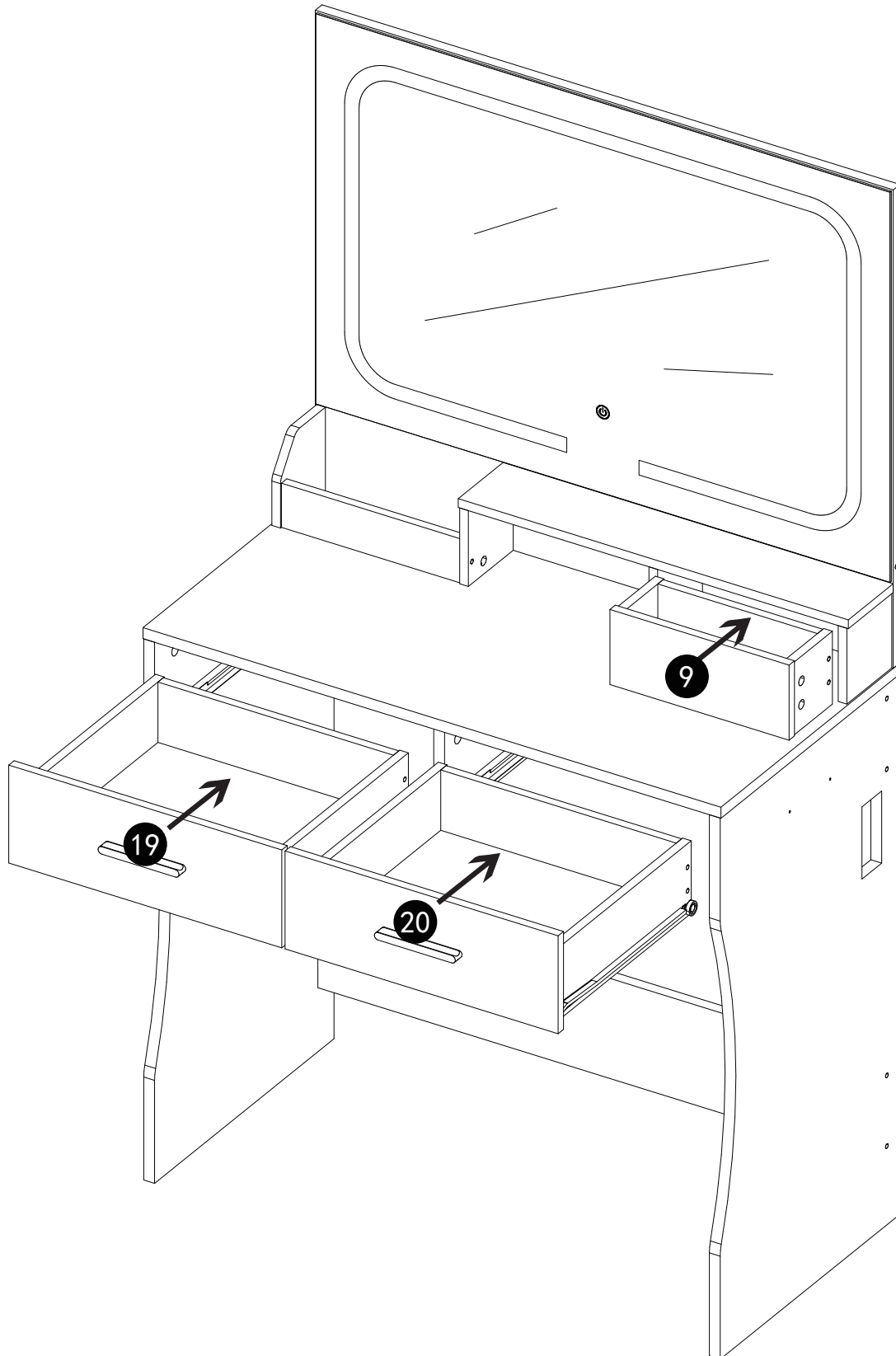
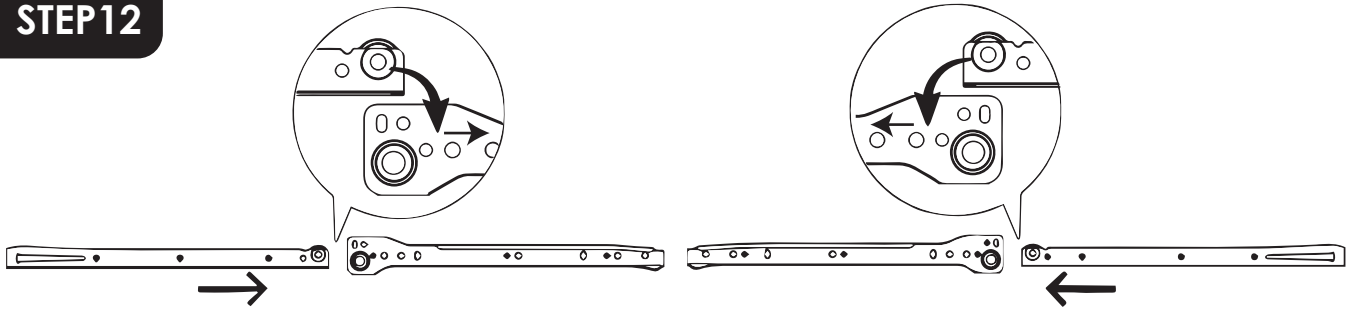
DR

X2

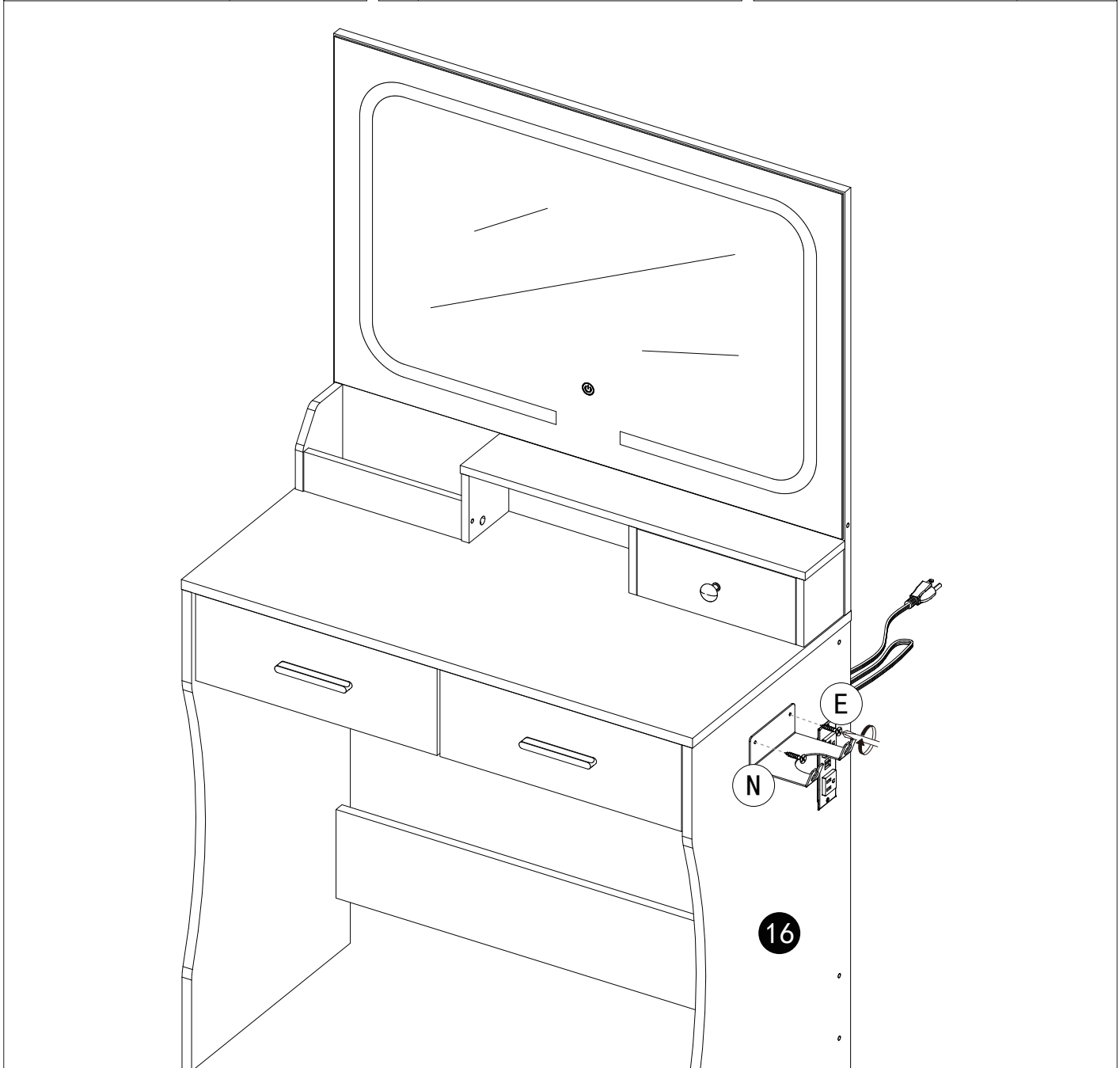
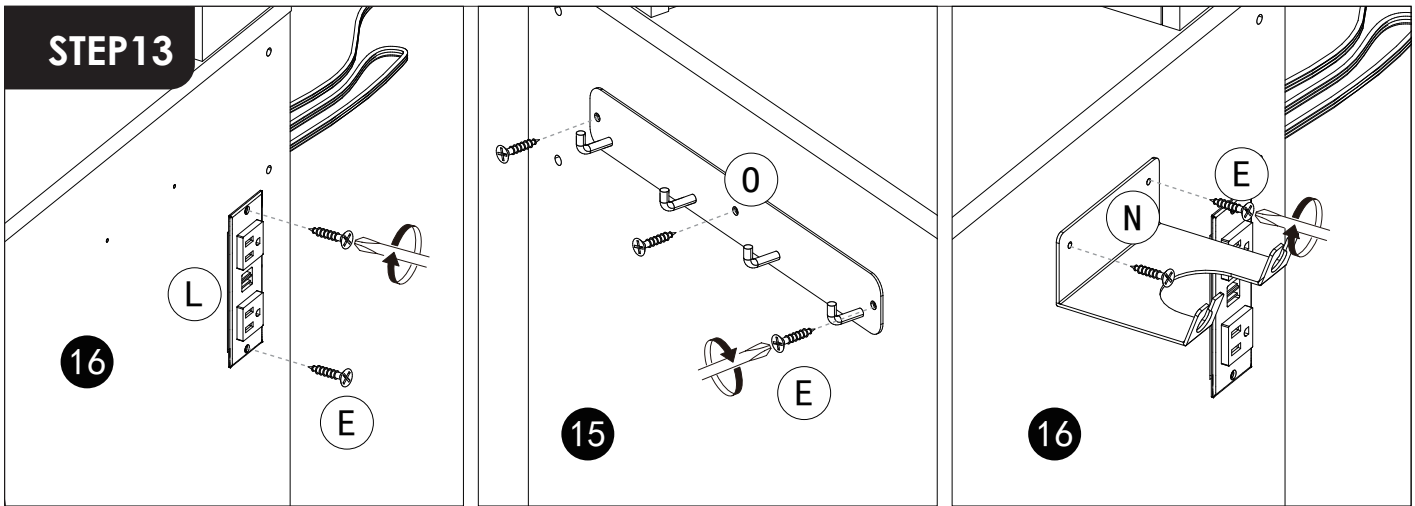


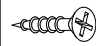
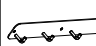


D		x8
K		x8
S		x2
DR		x2
DL		x2

STEP 12



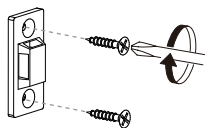
STEP 13



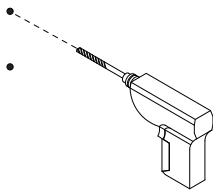
E		x7			
O		x1			
L		x1	N		x1

STEP 14

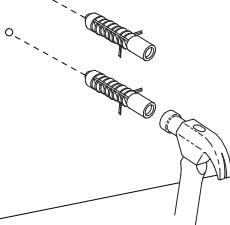
1



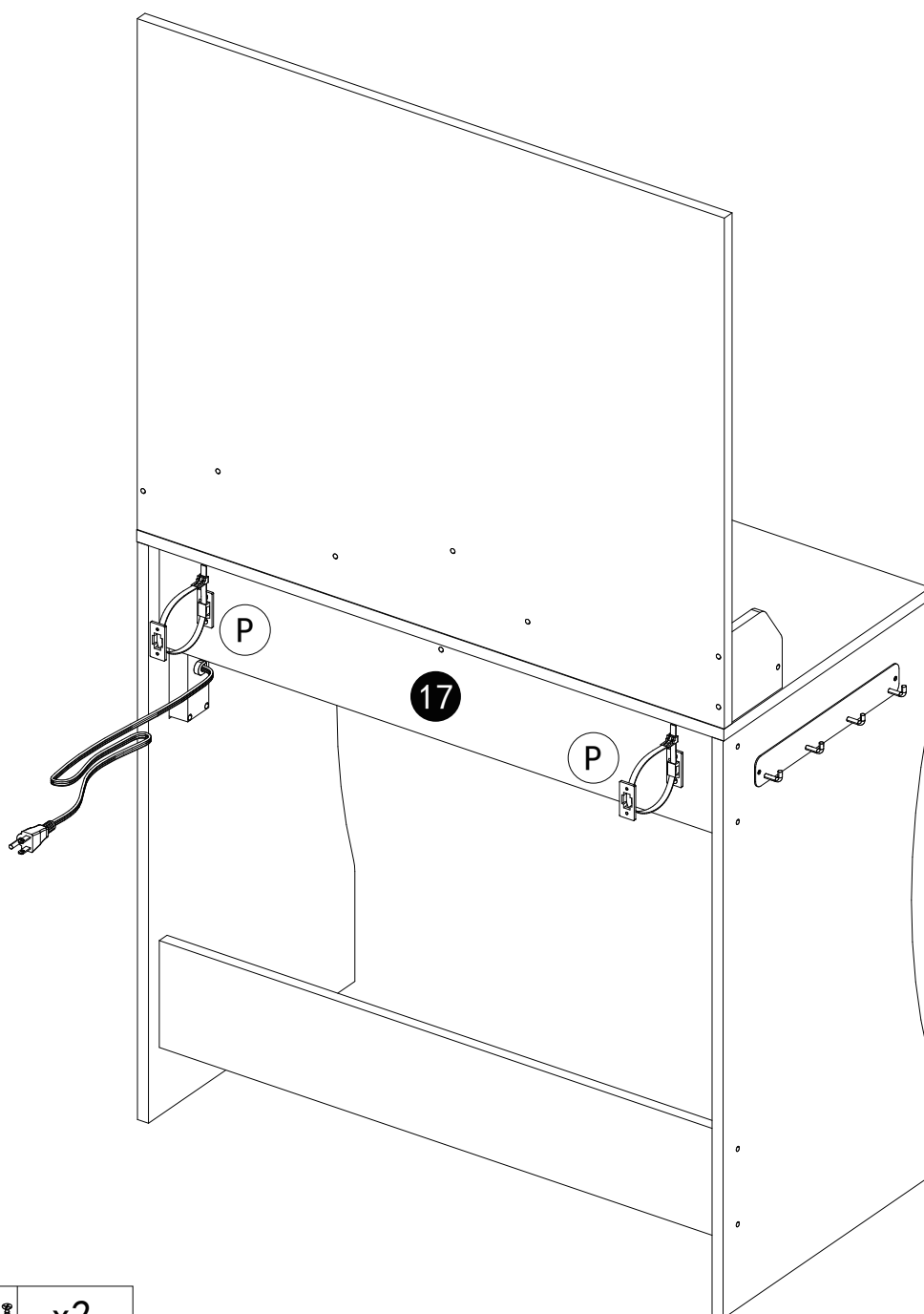
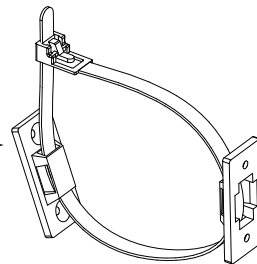
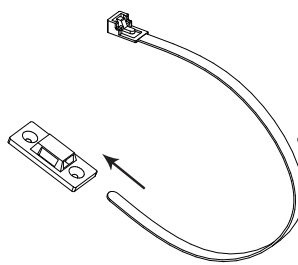
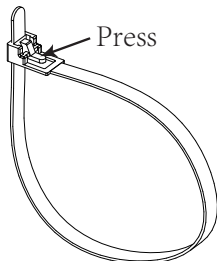
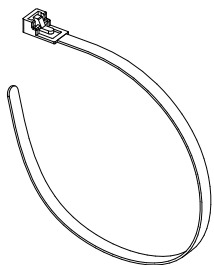
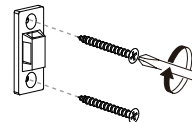
2



3



4

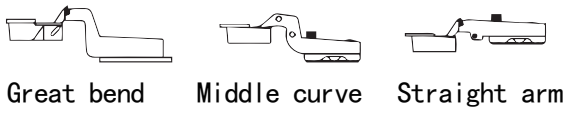
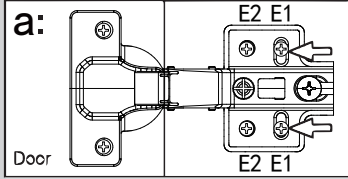


P  x2

STEP 15

Hinge adjustment

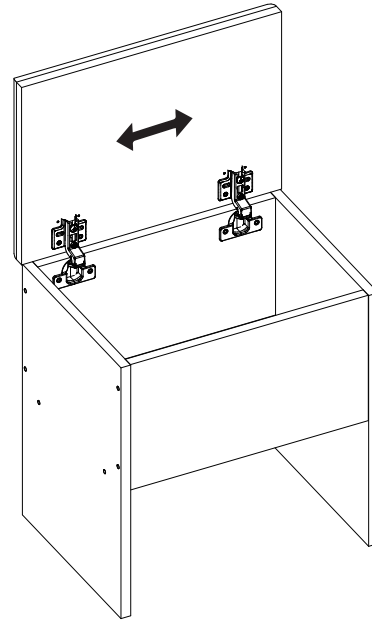
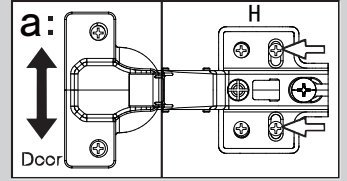
To facilitate the adjustment, install the E1 screw first, and then install the E2 screw.



Hinge adjustment

a: To move doors up or down: loosen screws shown and move doors to suit.

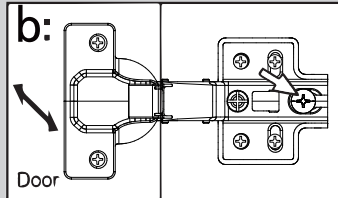
Once doors are aligned, re-tighten Screws H



Hinge adjustment

b: To move doors in or out: loosen screw shown and move doors to suit.

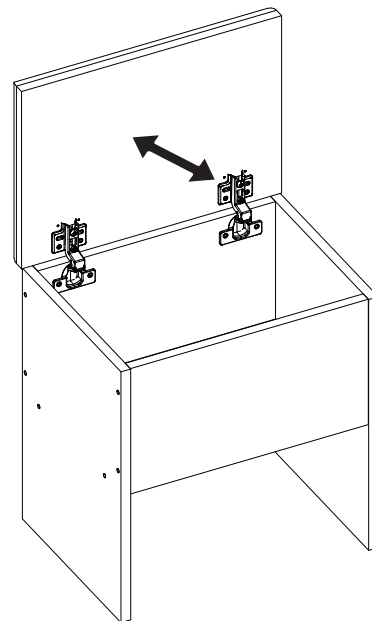
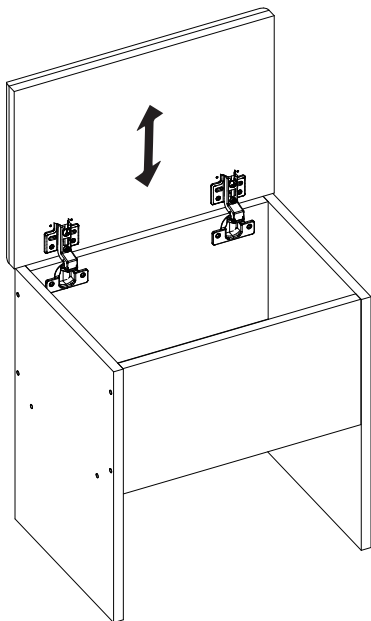
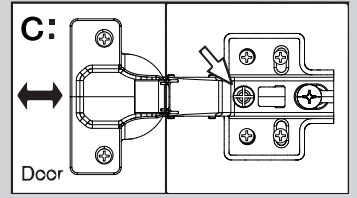
Re-tighten screws



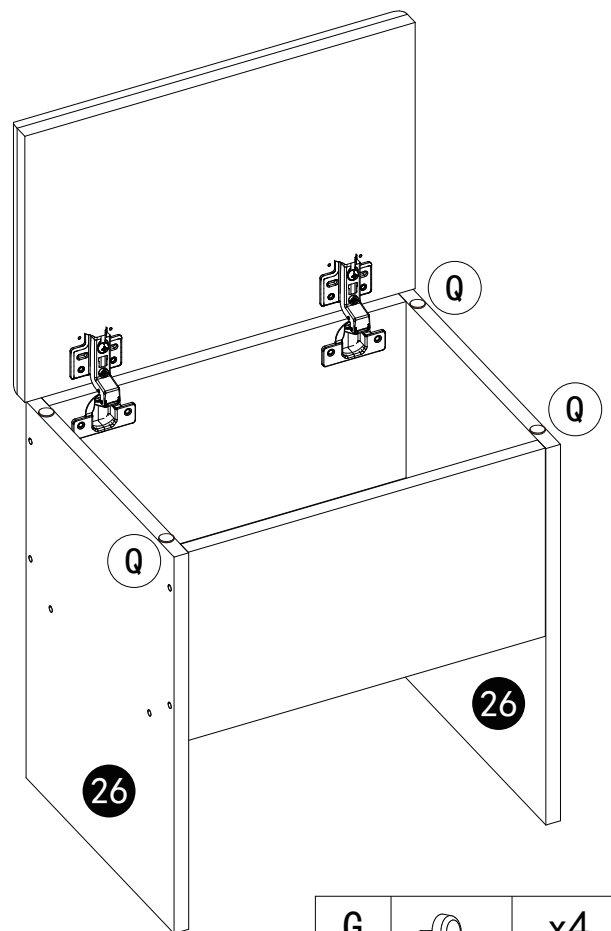
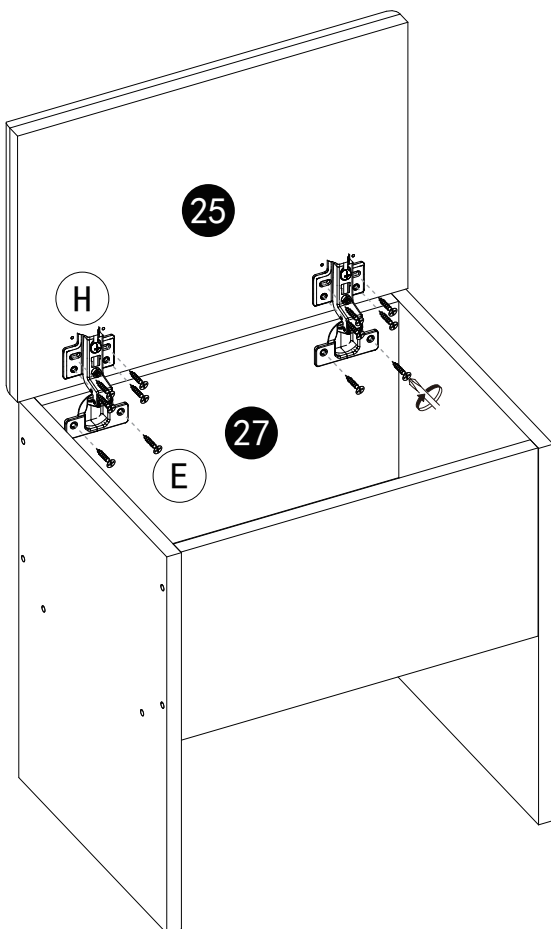
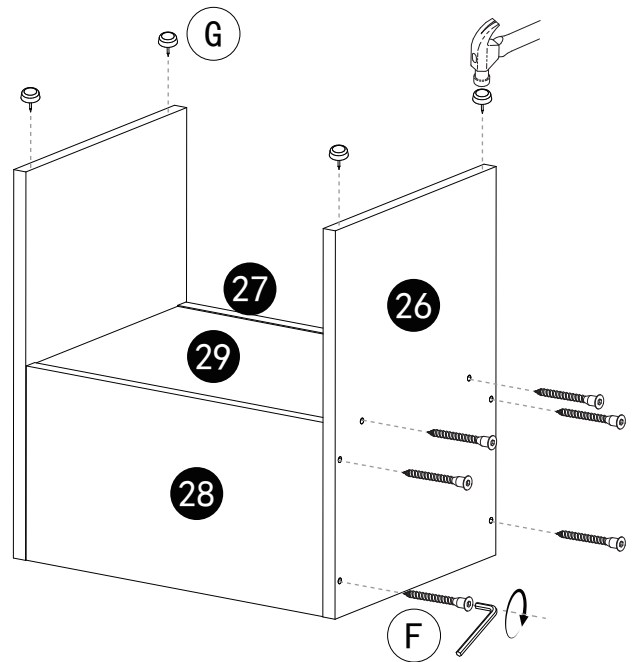
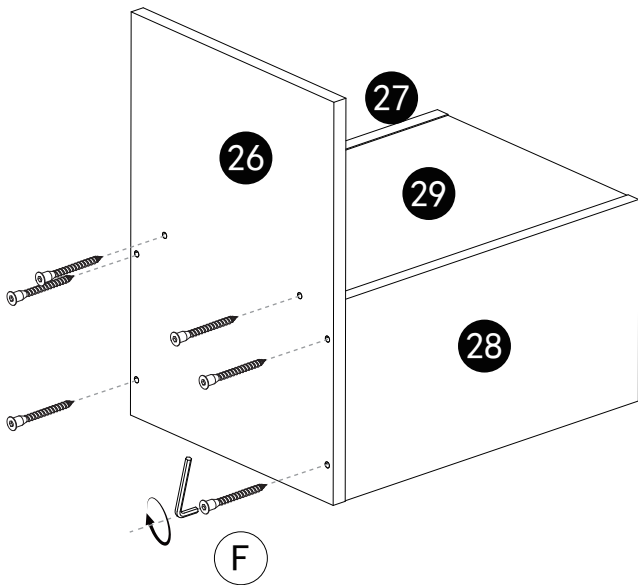
Hinge adjustment

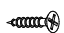




c: To move doors left or right: loosen screw shown and move doors to suit.

Re-tighten screws

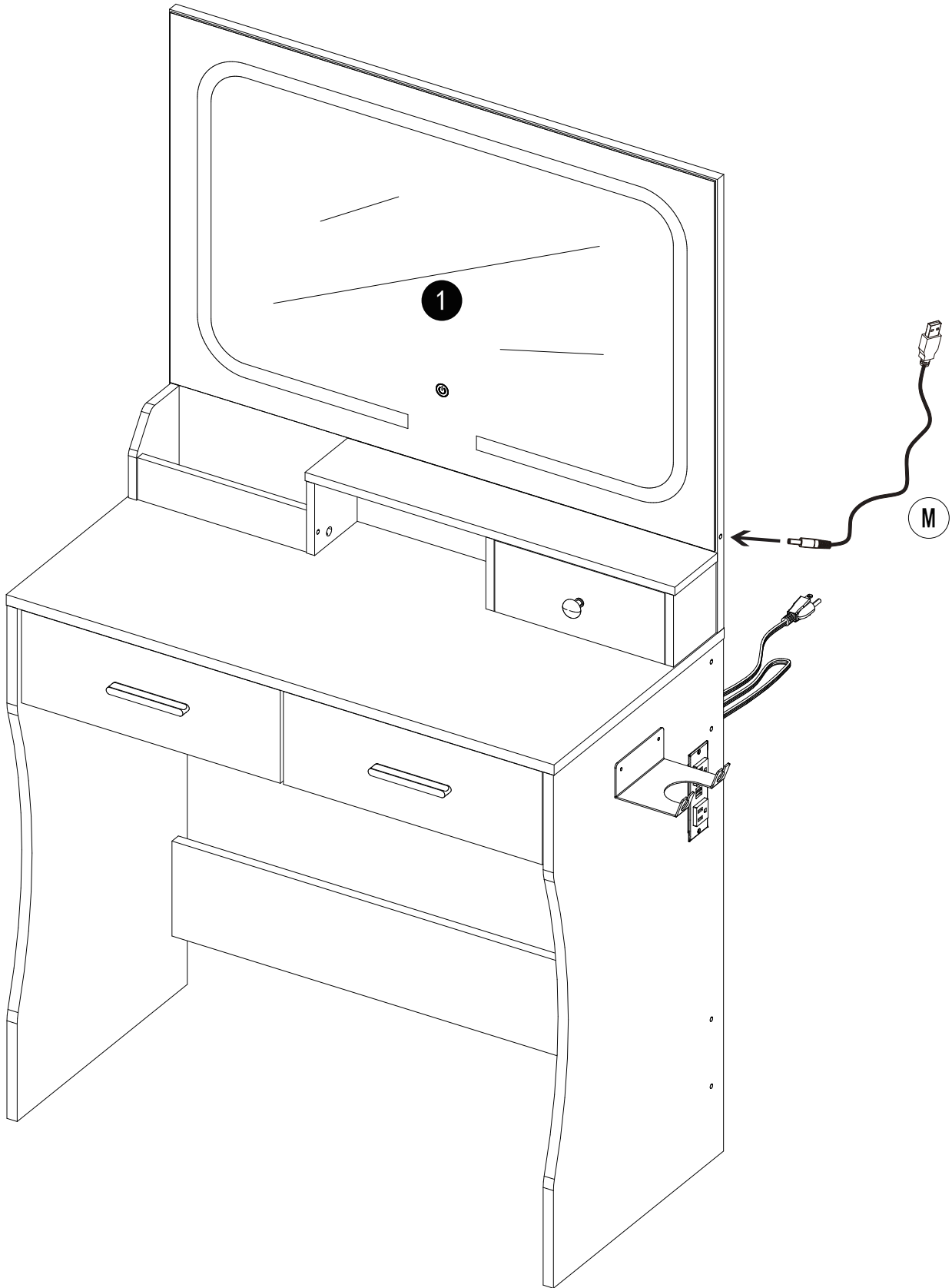
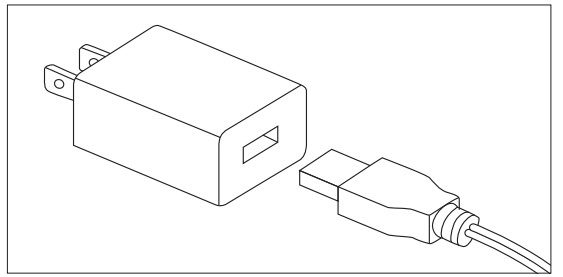



STEP 16



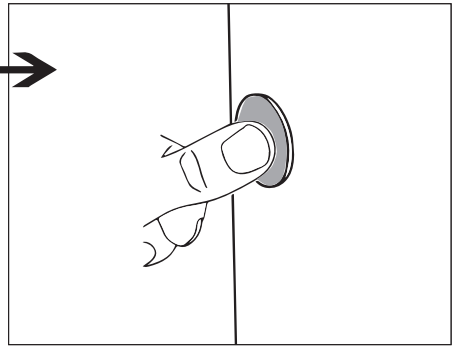
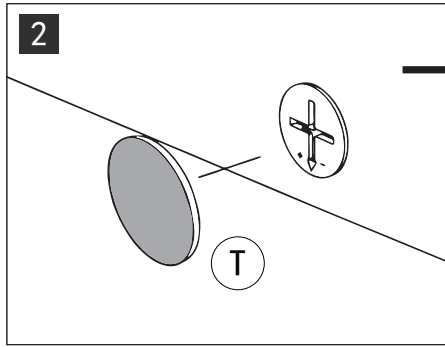
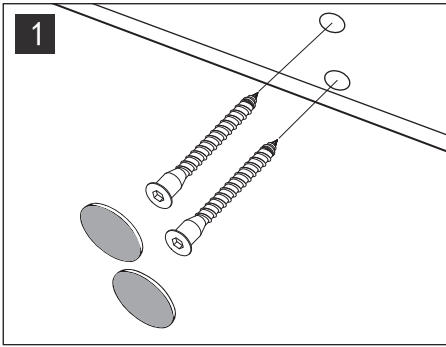
E		x12	H		x2
F		x12	Q		x4
			G		x4

STEP 17

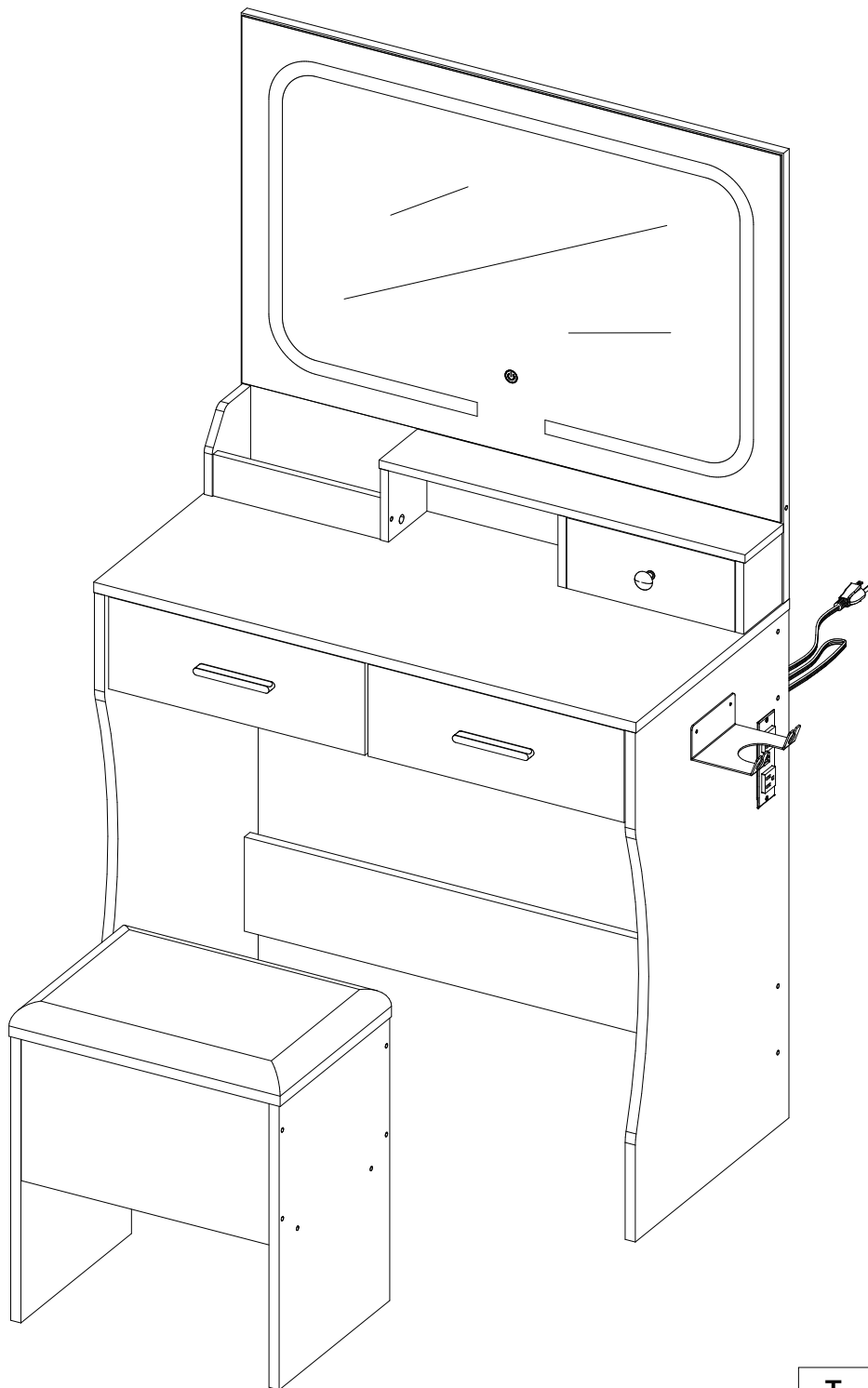


M		x1
---	---	----

STEP 18



Add L fittings to all exposed holes on the front of the product



T		x36
---	---	-----