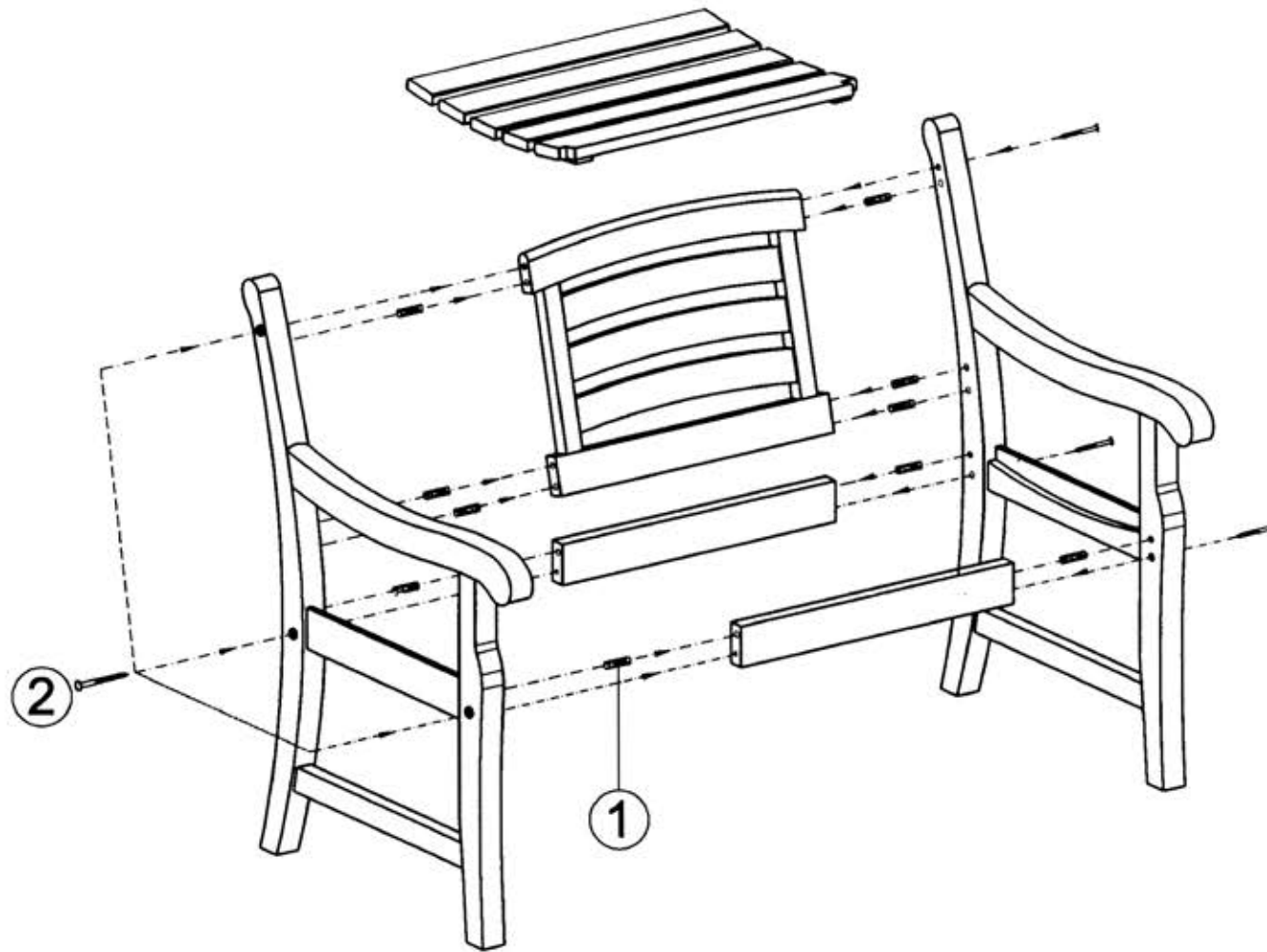


# ASSEMBLY INSTRUCTION



①



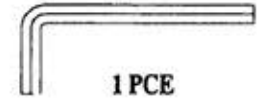
( $\phi$  10 x 40)mm x 10 Pcs

②



(M7 x 90)mm x 6 Pcs

③



1 PCE