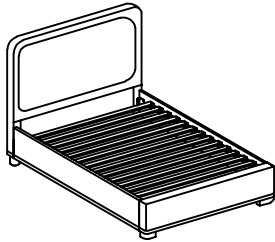


ASSEMBLY INSTRUCTION

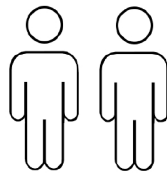
T



+ Do Not Use Power Tools



+ Suggested Adults



NOTE:

- 1 Read instructions cover to cover.
- 2 Save all packaging until assembly is completed.

1 IMPORTANT SAFETY INFORMATION

Do not assemble the product if any of the following parts arrived damaged:

Part # - Side Rails

Part # - Slats

2 IMPORTANT ASSEMBLY INFORMATION

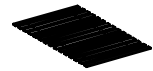
Assembly Step Ensure the side rail bracket is fully hooked onto bolt loosely threaded with both washers on the **OUTSIDE** of the bracket first, then proceed to fully tightening all 4 corners.

+ Parts Included

- | | | |
|--------------------------|--------------------------|---------------------------|
| ① Headboard
(1 of pc) | ② Footboard
(1 of pc) | ③ Side Rail
(2 of pcs) |
|--------------------------|--------------------------|---------------------------|

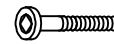


- | | | |
|-------------------------------|-------------------------------|-----------------------------|
| ④ Headboard Leg
(2 of pcs) | ⑤ Footboard Leg
(2 of pcs) | ⑤ 13 Pcs Slat
(1 of pcs) |
|-------------------------------|-------------------------------|-----------------------------|



+ Hardware Included

- | | | |
|---------------------------------|---------------------------------|----------------------------------------|
| A JCBB
M8x30mm
(8 of pcs) | B JCBC
M6x50mm
(4 of pcs) | C Allen Key
M4 x 100mm
(1 of pc) |
|---------------------------------|---------------------------------|----------------------------------------|



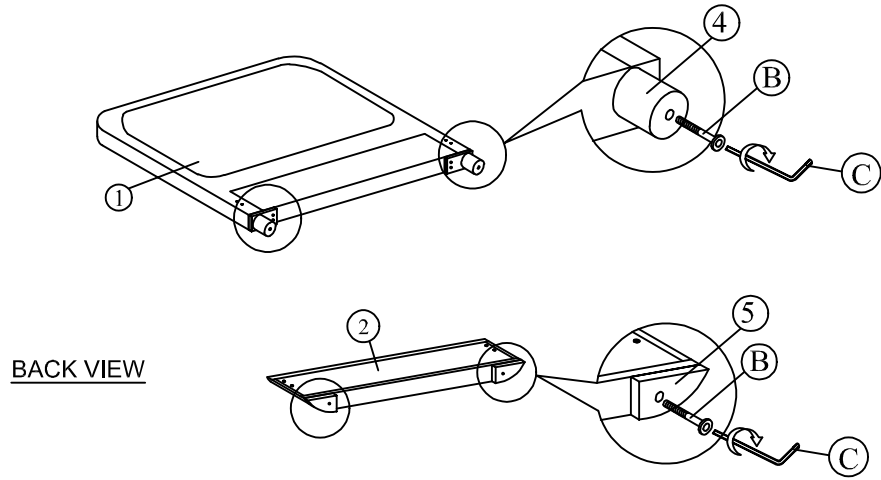
- | | |
|---------------------------------------|-----------------------------------|
| D Allen Key
M5 x 70mm
(1 of pc) | E CSK
M4 x 32mm
(26 of pcs) |
|---------------------------------------|-----------------------------------|



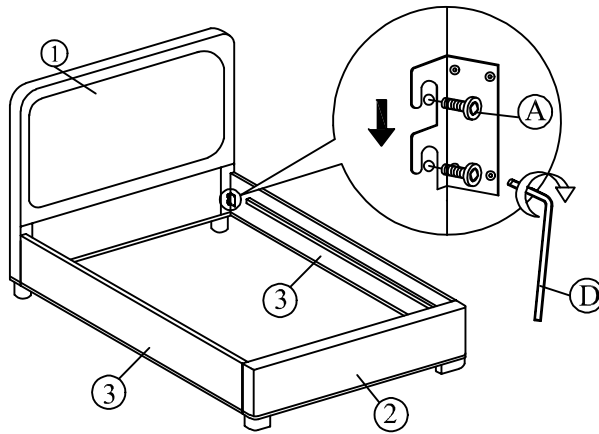
ASSEMBLY INSTRUCTION

T

①



②



③

